

FLEXFORM



MAGNUM *DESIGN CENTER* 2003

SOFAS

FLEXFORM Spa

Via Einaudi 23/25 20821 Meda (MB) Italy | Tel. +39 0362 3991 | info@flexform.it | www.flexform.it

MAGNUM | *DESIGN CENTER* | 2003

Structure in solid wood with polyurethane foam padding, covered with a protective laminated fabric

Seat cushions in sterilized goose down (Assopiuma certified, gold label) with insert in crushproof material, or in polyurethane foam and dacron

Articles: 11UA1-11UA2-11UB3-11UB5-11UB7-11UB9-11UC3-11UC7 with padding in polyurethane foam and dacron

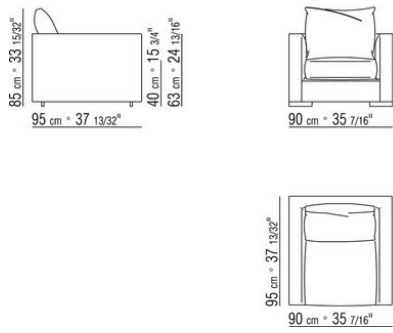
Backrest cushions in sterilized goose down (Assopiuma certified, gold label) and fiber

Optional cushions in sterilized goose down (Assopiuma certified, gold label). Optional cushions are upon request, with upcharge

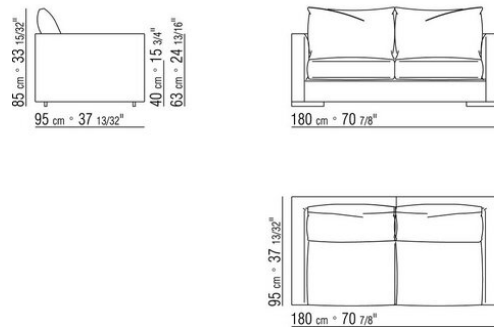
Feet made of glossy transparent methacrylate

Upholstery removable fabric or not removable leather covers

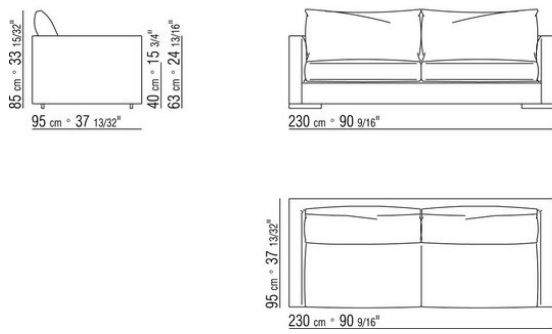
COD. 011U42



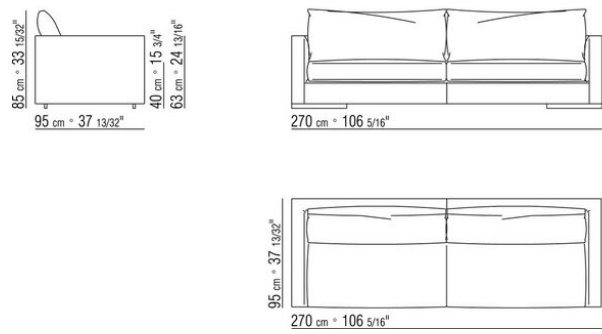
COD. 011U48



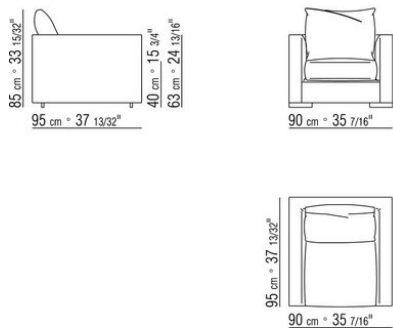
COD. 011U43



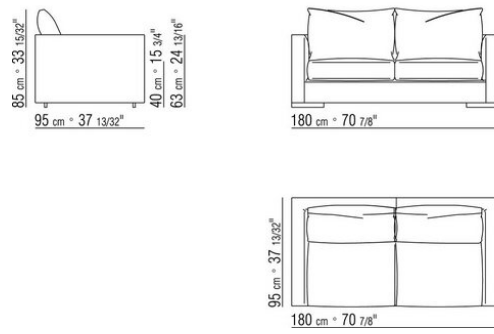
COD. 011U44



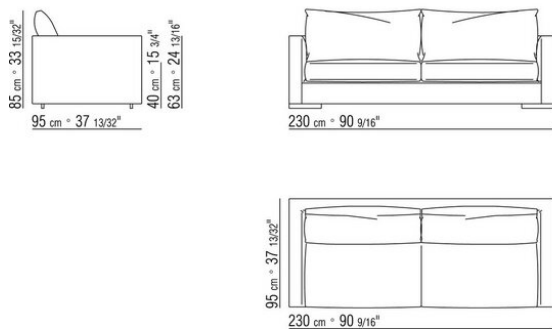
COD. 011U21



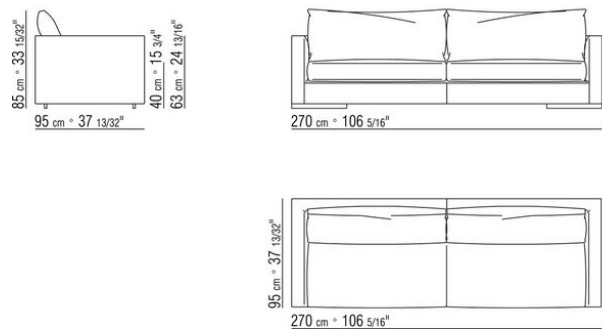
COD. 011U28



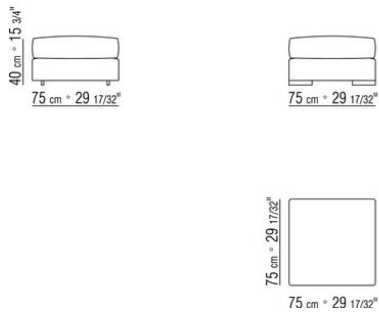
COD. 011U23



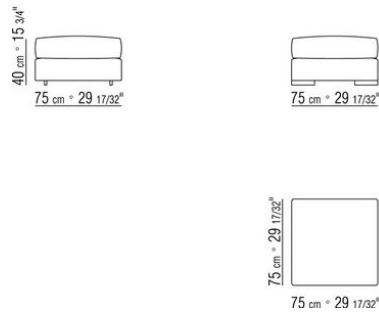
COD. 011U24



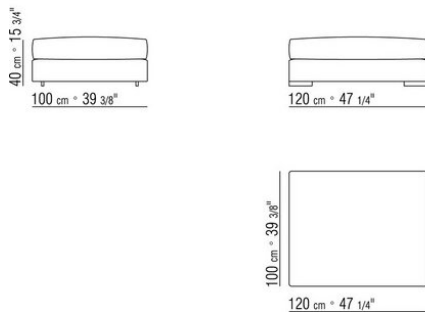
COD. 011U51



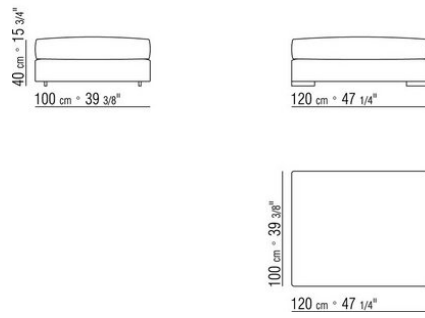
COD. 011U61



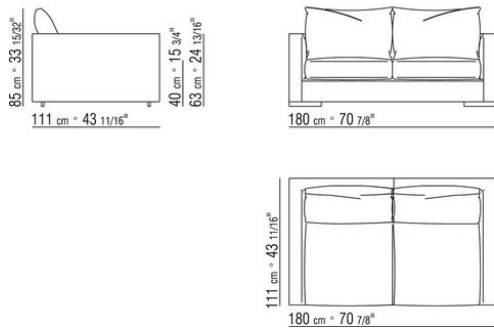
COD. 011U52



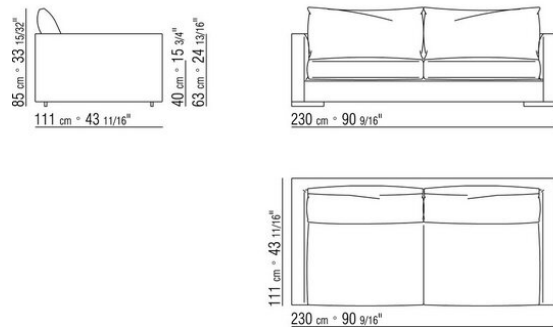
COD. 011U62



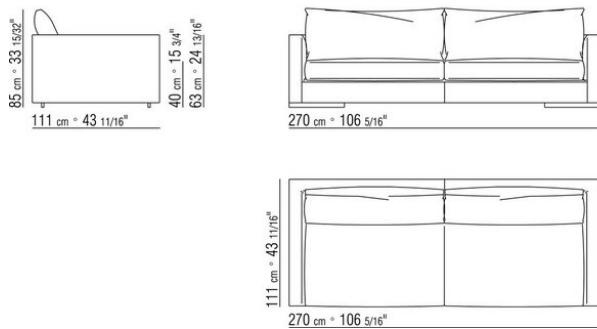
COD. 011U08



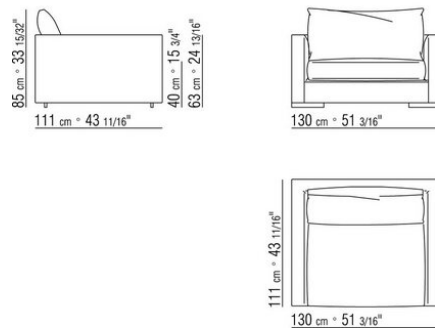
COD. 011U03



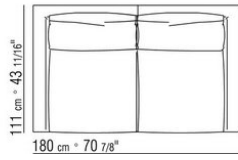
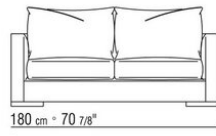
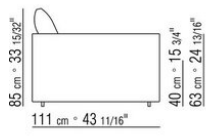
COD. 011U04



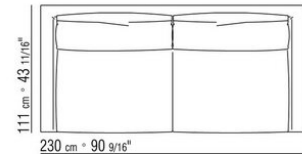
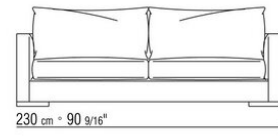
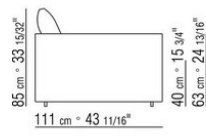
COD. 011U11



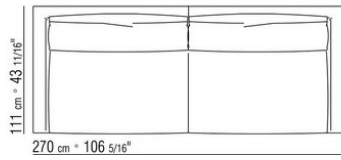
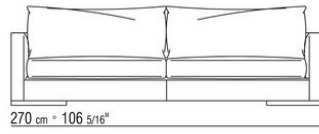
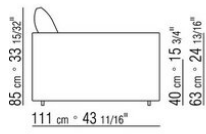
COD. 011U18



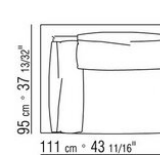
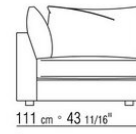
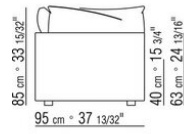
COD. 011U13



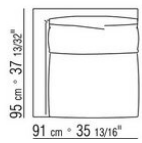
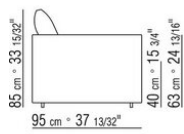
COD. 011U14



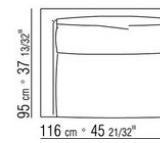
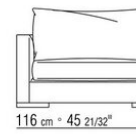
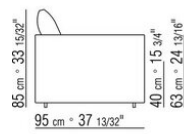
COD. 011U71



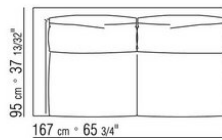
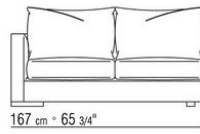
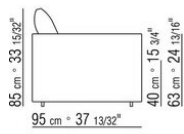
COD. 011U73



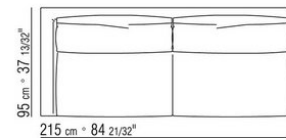
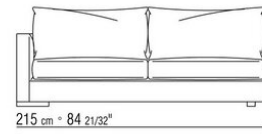
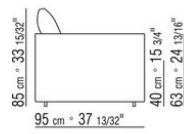
COD. 011U75



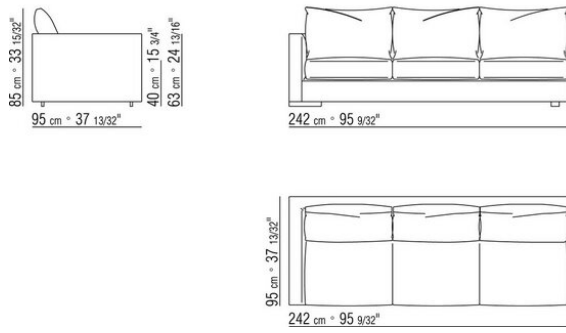
COD. 011U77



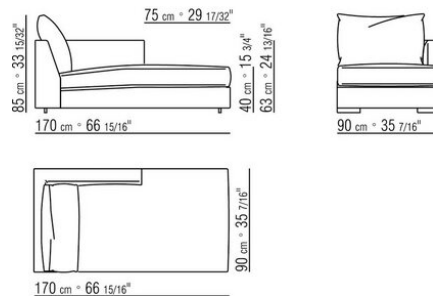
COD. 011U79



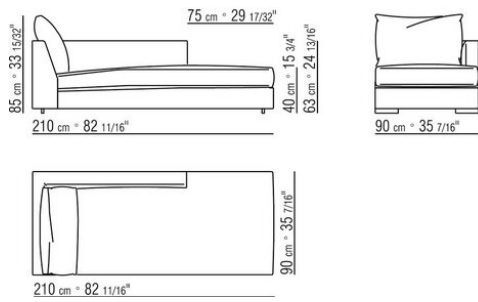
COD. 011U81



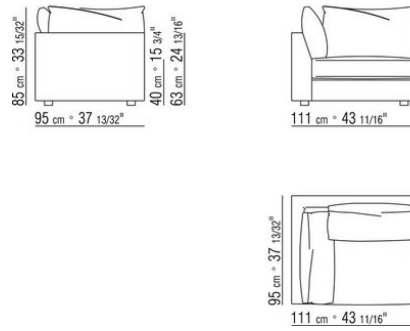
COD. 011U83



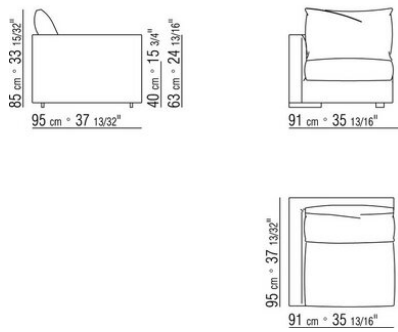
COD. 011U85



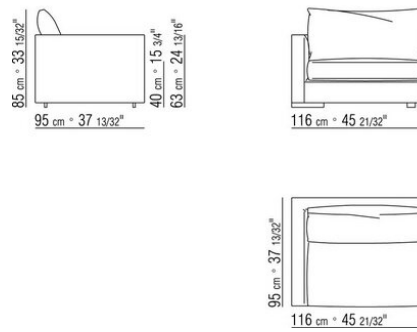
COD. 011U31



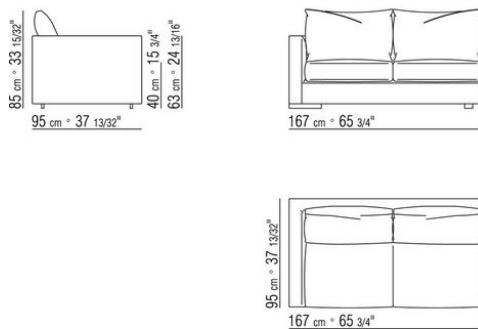
COD. 011U33



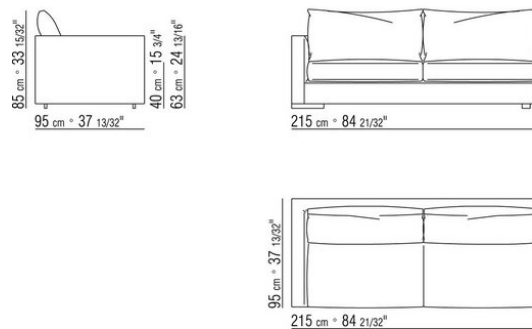
COD. 011U35



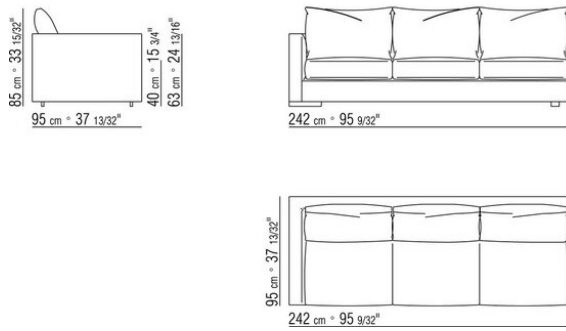
COD. 011U37



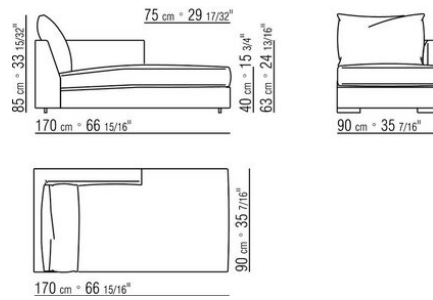
COD. 011U39



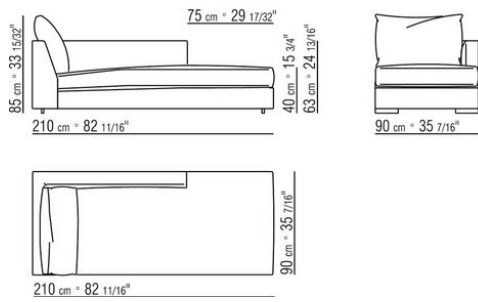
COD. 011U41



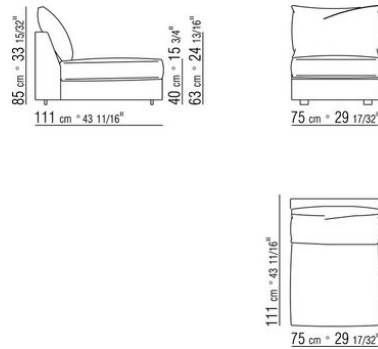
COD. 011U65



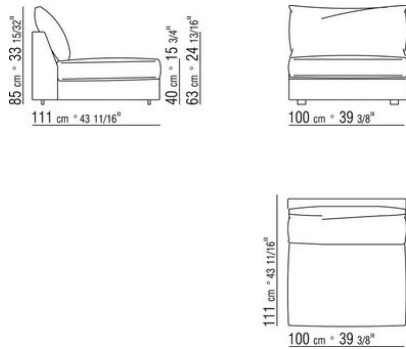
COD. 011U67



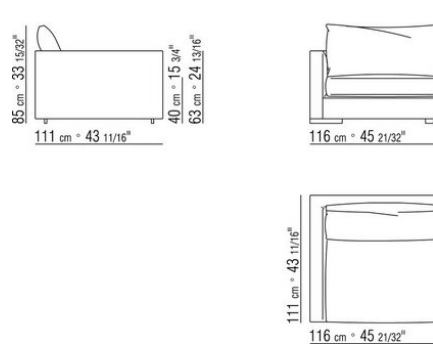
COD. 011UA1



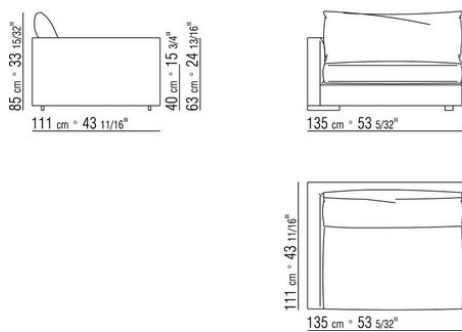
COD. 011UA2



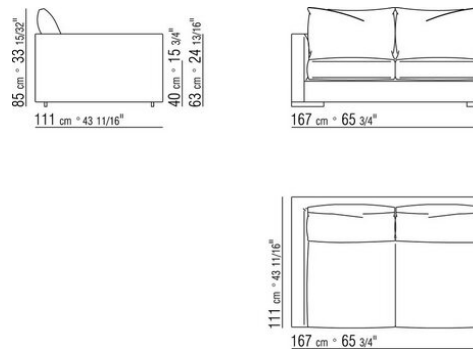
COD. 011UB3



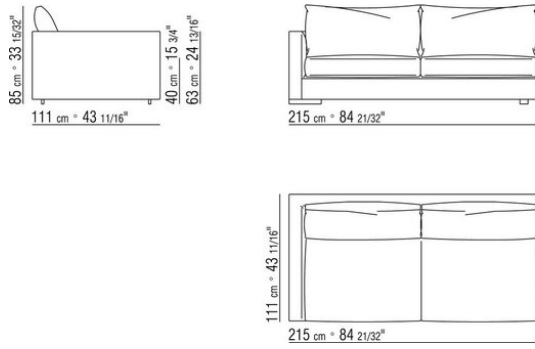
COD. 011UB5



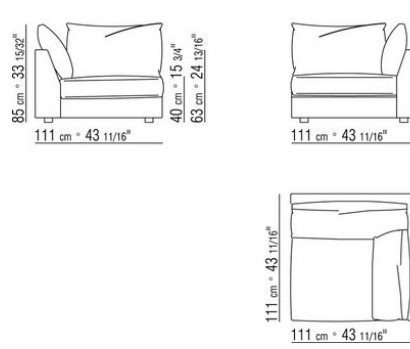
COD. 011UB7



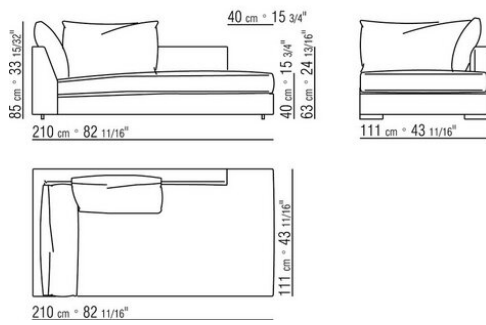
COD. 011UB9



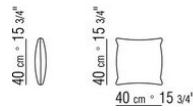
COD. 011UC3



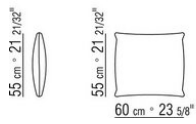
COD. 011UC7



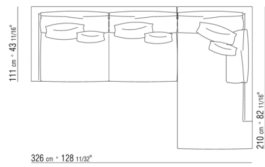
COD. 011U96



COD. 011U97

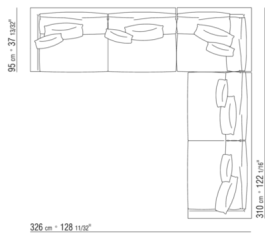


011UXA



- N.1 COD.011UB9 - END UNIT L / DACRON CM.215 x111
- N.3 COD.011U96 - CUSHION CM.40 x40
- N.1 COD.011UC7 - LONG CORNER L /DACRON CM.111 x210
- N.3 COD.011U97 - CUSHION CM.60 x55

011UXB



- N.1 COD.011U79 - END UNIT L CM.215 x95
- N.1 COD.011U78 - END UNIT R CM.215 x95
- N.1 COD.011U70 - CORNER R CM.111 x95
- N.5 COD.011U96 - CUSHION CM.40 x40
- N.5 COD.011U97 - CUSHION CM.60 x55