

**FLEXFORM**



**ATLANTE LIGHT | ATLANTE WOOD** *ANTONIO CITTERIO 2022*  
DAYBEDS

---

**FLEXFORM** Spa

Via Einaudi 23/25 20821 Meda (MB) Italy | Tel. +39 0362 3991 | [info@flexform.it](mailto:info@flexform.it) | [www.flexform.it](http://www.flexform.it)

---

## ATLANTE LIGHT | ATLANTE WOOD | ANTONIO CITTERIO | 2022

### ATLANTE LIGHT

**Structure** in cast aluminum, epoxy powder-coat finish in colors: white 100, wine red 405, khaki green 705, burnished, matt titanium 710, grey; or, in embossed lacquered finish in white 300, sand 310, brick 320, sage green 330, terracotta 325, forest green 335, charcoal 350. Backrest recliner system with integrated bracket

**Mesh** in batyline® fabric in colors: caramel 9520, cloud 9530, siena 9540, ivy 9550, jungle 9560, clay 9570. With water-repellent elastic webbing support in colors: sand 9001, grey 9003, anthracite 9005, black 9009; attached with steel rod

**Seat cushion** in polyester fiber covered in water repellent fabric. Upon request, with upcharge

**Feet** in cast aluminum with epoxy powder-coat finish in the same color as the structure. Rests on tips made of thermoplastic material

**Castors** 26 cm diameter, in cast aluminum with epoxy powder-coat finish in the same color as the structure. With profile in grey thermoplastic material

**Seat cushion upholstery** in removable fabric

**Cover** in waterproof material; cover is upon request, with upcharge

### ATLANTE WOOD

**Structure** in cast aluminum, epoxy powder-coated in colors: white 100, wine red 405, khaki green 705, burnished, matt titanium 710, glossy grey 715; or, in embossed lacquered finish in white 300, sand 310, brick 320, sage green 330, terracotta 325, forest green 335, charcoal 350. Backrest recliner system with integrated bracket.

**Seat and backrest** in solid iroko slats, natural finish, stained grey, stained brown, or lacquered white finish.

**Seat cushion** in polyester fiber upholstered in water-repellent fabric. Upon request, with upcharge.

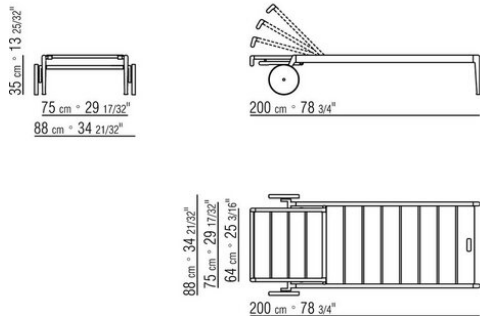
**Feet** in cast aluminum with epoxy powder-coat finish in the same color as the structure. Feet rest on tips made of thermoplastic material.

**Wheels** 26 cm diameter, in cast aluminum with epoxy powder-coat finish in the same color as the structure. With profile in grey thermoplastic material.

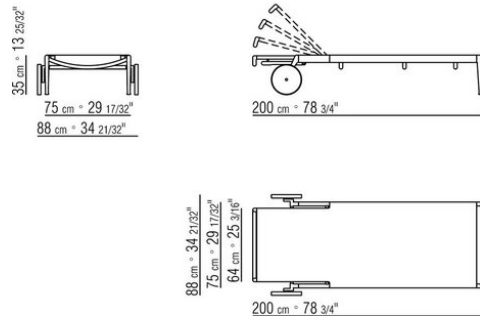
**Upholstery** in removable fabric.

**Cover** in waterproof material. Cover is upon request, with upcharge.

COD. 02A4G8



COD. 02A4G9



COD. 02A4M9

