



CAMARGUE ANTONIO CITTERIO 2022

SOFAS

CAMARGUE | ANTONIO CITTERIO | 2022

SOFA

Structure in aluminum, epoxy powder-coat finish in colors: white 100, wine red 405, khaki green 705, burnished, grey; or, in embossed lacquered finish in white 300, sand 310, brick 320, sage green 330, terracotta 325, forest green 335, charcoal 350

Seat cushion in polyester fiber with insert in crushproof single-density material upholstered in water-repellent fabric

Backrest cushion sofa 190cm, in crushproof material and polyester fiber

upholstered in a protective, water-repellent laminated fabric

Backrest cushion sofa 130cm – 160cm in polyester fiber upholstered in a protective, water-repellent laminated fabric

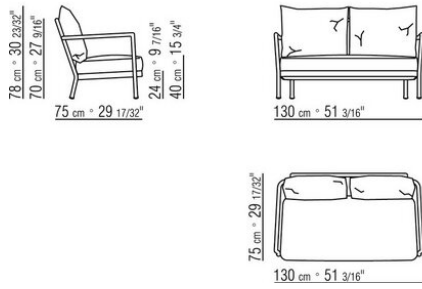
Optional cushions in polyester fiber with water-repellent upholstery. Upon request, with upcharge

Feet rest on tips made of thermoplastic material

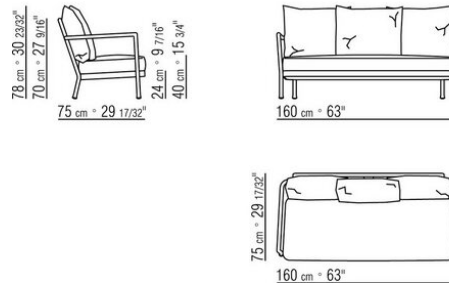
Upholstery seat / backrest cushion, in removable fabric

Cover in waterproof material; cover is upon request, with upcharge

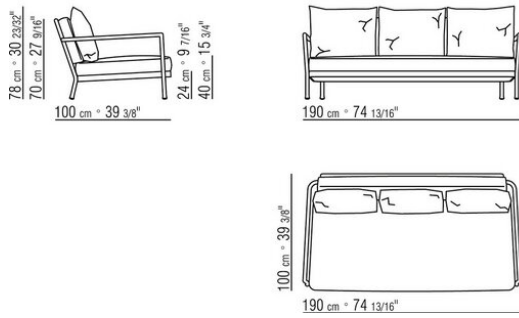
COD. 02A6A3



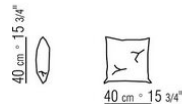
COD. 02A6A4



COD. 02A6A5



COD. 02A6M7



COD. 02A6M8

