



PICO *DESIGN CENTER* 2020
COFFEE AND SIDE TABLES

PICO | DESIGN CENTER | 2020

SMALL TABLE

Structure in burnished, matt titanium 710 or glossy anthracite aluminum

Finish plus version structure in aluminum with satin, chrome or black chrome finish

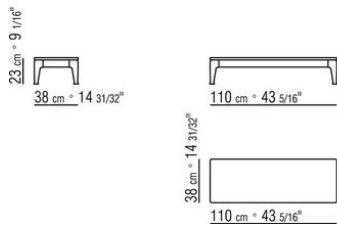
Top in the following types of marble polished calacatta gold, matt calacatta gold, polished white carrara, polished nero marquina, polished emperador, matt emperador, polished emperador light, polished marron damasco, matt marron damasco, polished grey stardust, matt grey stardust. Or in Canaletto walnut veneer with raw-wood effect, natural, or

stained walnut extra finish; or in ash veneer with natural finish or stained walnut, stained teak, stained wenge, stained brown or stained ebony; or in oak veneer with raw-wood effect finish.

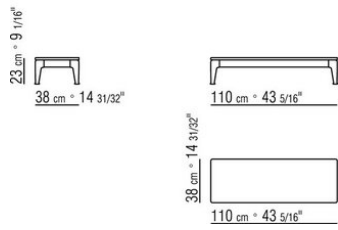
Legs in cast aluminum with burnished, matt titanium 710 or glossy anthracite finish. Feet rest on tips made of thermoplastic material

Finish plus version legs in cast aluminum with satin, chrome or black chrome finish. Feet rest on tips made of thermoplastic material

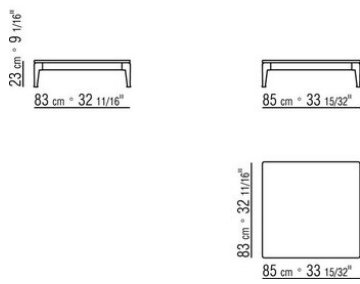
COD. 028361



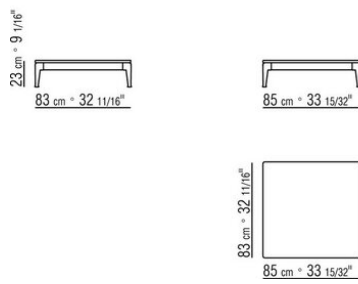
COD. 028371



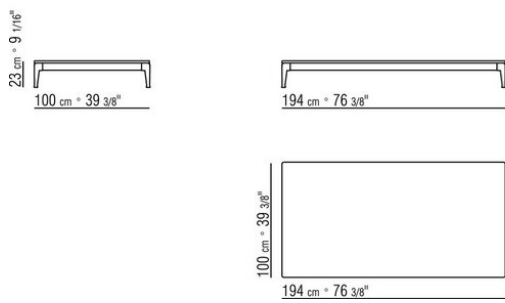
COD. 028362



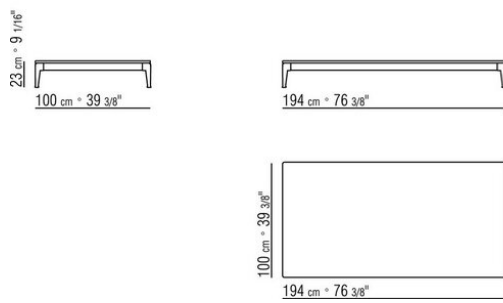
COD. 028372



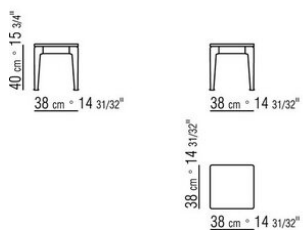
COD. 028363



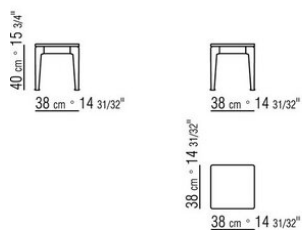
COD. 028373



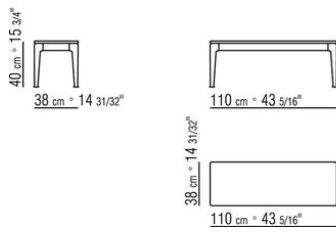
COD. 028364



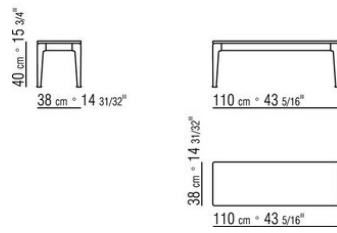
COD. 028374



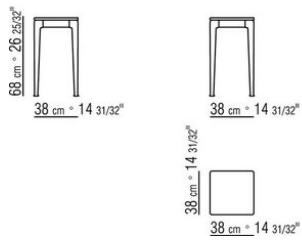
COD. 028365



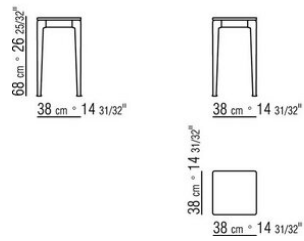
COD. 028375



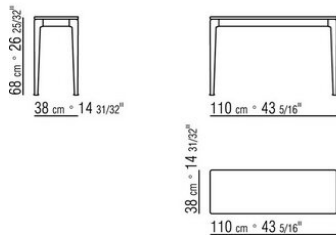
COD. 028368



COD. 028378



COD. 028369



COD. 028379

