

Kress

Commercial



60V 47cm Reinforced Steel Deck SP Mower	EN	P02
60V 47cm Verstärktes Stahlmähwerk SP Mäher	D	P21
Tondeuse autotractée avec carter en acier renforcé 47 cm et batterie 60 V	F	P40
Tosaerba SP 60V 47 cm con piatto in acciaio rinforzato	I	P59
Cortacésped SP de 60V con cubierta de acero reforzado de 47cm	ES	P78
Cortador de relva SP de 60 V com plataforma de 47 cm de aço reforçado	PT	P97
60V 47cm Verstevigd stalen maaidek SP grasmaaier	NL	P116
60 V 47 cm megerősített acél késházás önjáró fűnyíró	HU	P135
Mașină de tuns iarba SP, cu punte din oțel, 47 cm, 60V	RO	P154
Kosiarka SP ze wzmocnionym stalowym pokładem 60 V 47 cm	PL	P173
60V 47cm sekačka se zesíleným ocelovým krytem SP	CZ	P192
60 V kosačka SP so 47 cm zosilnenou ocelovou plošinou	SK	P210
60 V 47 cm SP kosilnica z ojačano jekleno ploščo	SL	P229
Kosilica 60V 47cm SP s trupom od ojačanog čelika	HR	P246
60 V 47 cm selvkørende plæneklipper med forstærket stålskjold	DK	P264
60 V, 47 cm:n vahvistettu teräskannellinen SP-ruohonleikkuri	FIN	P281
60V 47 cm SP-gressklipper med forsterket ståldeksel	NOR	P298
60V 47cm SP-gräsklippare med förstärkt ståldäck	SV	P315
KC720 KC720.X		

TABLE OF CONTENTS

Introduction.....	2
Component List.....	4
Product Safety.....	5
Assembly & Operation.....	8
Transportation.....	12
Maintenance.....	13
Cleaning.....	14
Storage.....	15
Troubleshooting.....	16
Technical Data.....	17
EN Environmental Protection.....	18
Declaration of Conformity.....	19

INTRODUCTION

Dear Customer,

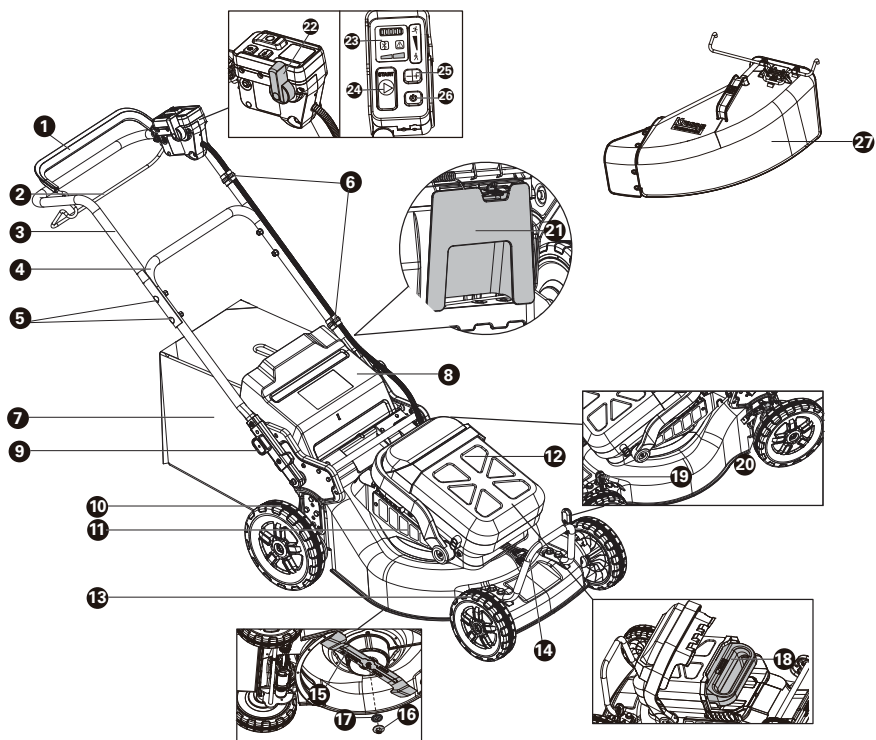
Thank you for buying this Kress Commercial product. We are dedicated to developing high quality products to meet your commercial landscaping requirements.

The Kress brand is synonymous with premium quality service. Over the years of your product's life, if you have any questions or concerns about your product, please contact your dealer or our Customer Service Team for assistance.

We are confident you will enjoy working with your Kress product for years to come.

INTENDED USE

This product is intended for commercial lawn mowing.



COMPONENT LIST

1. OPERATING BAIL (BLADE ENGAGEMENT)
2. SELF-PROPEL ENGAGEMENT BAIL
3. UPPER HANDLE
4. LOWER HANDLE
5. HANDLE FASTENERS
6. CABLE CLIP
7. GRASS COLLECTION BAG
8. SAFETY FLAP
9. HANDLE HEIGHT ADJUSTMENT KNOB
10. REAR WHEEL
11. AIR FILTER
12. BATTERY COMPARTMENT COVER
13. FRONT WHEEL
14. MOTOR GUARD
15. BLADES
16. BLADE BOLT
17. SPACER
18. BATTERY PACK*
19. FRONT CUTTING HEIGHT ADJUSTMENT LEVER
20. REAR CUTTING HEIGHT ADJUSTMENT LEVER
21. MULCHING PLUG
22. SELF-PROPEL SPEED CONTROL
23. LED INDICATORS
24. CUTTING BLADE START BUTTON
25. CUTTING SPEED CONTROL
26. ON/OFF SWITCH
27. SIDE DISCHARGE CHUTE*

* Not all the accessories illustrated or described are included in standard delivery.

ORIGINAL INSTRUCTIONS

PRODUCT SAFETY

GENERAL POWER TOOL

SAFETY WARNINGS



WARNING Read all safety warnings, instructions, illustrations and specifications provided with this power tool. Failure to follow all instructions listed below may result in electric shock, fire and/or serious injury.

Save all warnings and instructions for future reference.

The term "power tool" in the warnings refers to your mains-operated (corded) power tool or battery-operated (cordless) power tool.

1) Work area safety

- a) **Keep work area clean and well lit.** Cluttered or dark areas invite accidents.
- b) **Do not operate power tools in explosive atmospheres, such as in the presence of flammable liquids, gases or dust.** Power tools create sparks which may ignite the dust or fumes.
- c) **Keep children and bystanders away while operating a power tool.** Distractions can cause you to lose control.

2) Electrical safety

- a) **Power tool plugs must match the outlet. Never modify the plug in any way. Do not use any adapter plugs with earthed (grounded) power tools.** Unmodified plugs and matching outlets will reduce risk of electric shock.
- b) **Avoid body contact with earthed or grounded surfaces, such as pipes, radiators, ranges and refrigerators.** There is an increased risk of electric shock if your body is earthed or grounded.
- c) **Do not operate the machine in rain or wet conditions.** This may increase the risk of electric shock.
- d) **Do not abuse the cord. Never use the cord for carrying, pulling or unplugging the power tool. Keep cord away from heat, oil, sharp edges or moving parts.** Damaged or entangled cords increase the risk of electric shock.
- e) **When operating a power tool outdoors, use an extension cord suitable for outdoor use.** Use of a cord suitable for outdoor use reduces the risk of electric shock.
- f) **If operating a power tool in a damp location is unavoidable, use a residual current device (RCD) protected supply.** Use of an RCD reduces the risk of electric shock.

3) Personal safety

- a) **Stay alert, watch what you are doing and use common sense when operating a power tool. Do not use a power tool while you are tired or under the influence of drugs, alcohol**

or medication. A moment of inattention while operating power tools may result in serious personal injury.

- b) **Use personal protective equipment. Always wear eye protection.** Protective equipment such as dust mask, non-skid safety shoes, hard hat, or hearing protection used for appropriate conditions will reduce personal injuries.
 - c) **Prevent unintentional starting. Ensure the switch is in the off-position before connecting to power source and/or battery pack, picking up or carrying the tool.** Carrying power tools with your finger on the switch or energising power tools that have the switch on invites accidents.
 - d) **Remove any adjusting key or wrench before turning the power tool on.** A wrench or a key left attached to a rotating part of the power tool may result in personal injury.
 - e) **Do not overreach. Keep proper footing and balance at all times.** This enables better control of the power tool in unexpected situations.
 - f) **Dress properly. Do not wear loose clothing or jewellery. Keep your hair and clothing away from moving parts.** Loose clothes, jewellery or long hair can be caught in moving parts.
 - g) **If devices are provided for the connection of dust extraction and collection facilities, ensure these are connected and properly used.** Use of dust collection can reduce dust-related hazards.
 - h) **Do not let familiarity gained from frequent use of tools allow you to become complacent and ignore tool safety principles.** A careless action can cause severe injury within a fraction of a second.
- #### 4) Power tool use and care
- a) **Do not force the power tool. Use the correct power tool for your application.** The correct power tool will do the job better and safer at the rate for which it was designed.
 - b) **Do not use the power tool if the switch does not turn it on and off.** Any power tool that cannot be controlled with the switch is dangerous and must be repaired.
 - c) **Disconnect the plug from the power source and/or remove the battery pack, if detachable, from the power tool before making any adjustments, changing accessories, or storing power tools.** Such preventive safety measures reduce the risk of starting the power tool accidentally.
 - d) **Store idle power tools out of the reach of children and do not allow persons unfamiliar with the power tool or these instructions to operate the power tool.** Power tools are dangerous in the hands of untrained users.
 - e) **Maintain power tools and accessories. Check for misalignment or binding of moving parts, breakage of parts and any other condition that may affect the power tool's operation. If damaged, have the power tool repaired before use.** Many accidents are caused by poorly maintained power tools.
 - f) **Keep cutting tools sharp and clean.** Properly

maintained cutting tools with sharp cutting edges are less likely to bind and are easier to control.

- g) Use the power tool, accessories and tool bits etc. in accordance with these instructions, taking into account the working conditions and the work to be performed.** *Use of the power tool for operations different from those intended could result in a hazardous situation.*
- h) Keep handles and grasping surfaces dry, clean and free from oil and grease.** *Slippery handles and grasping surfaces do not allow for safe handling and control of the tool in unexpected situations.*
- 5) Battery tool use and care**
- a) Recharge only with the charger specified by the manufacturer.** *A charger that is suitable for one type of battery pack may create a risk of fire when used with another battery pack.*
- b) Use power tools only with specifically designated battery packs.** *Use of any other battery packs may create a risk of injury and fire.*
- c) When battery pack is not in use, keep it away from other metal objects, like paper clips, coins, keys, nails, screws or other small metal objects, that can make a connection from one terminal to another.** *Shorting the battery terminals together may cause burns or a fire.*
- d) Under abusive conditions, liquid may be ejected from the battery; avoid contact. If contact accidentally occurs, flush with water. If liquid contacts eyes, additionally seek medical help.** *Liquid ejected from the battery may cause irritation or burns.*
- e) Do not use a battery pack or tool that is damaged or modified.** *Damaged or modified batteries may exhibit unpredictable behaviour resulting in fire, explosion or risk of injury.*
- f) Do not expose a battery pack or tool to fire or excessive temperature.** *Exposure to fire or temperature above 130 °C may cause explosion.*
- g) Follow all charging instructions and do not charge the battery pack or tool outside the temperature range specified in the instructions.** *Charging improperly or at temperatures outside the specified range may damage the battery and increase the risk of fire.*
- 6) Service**
- a) Have your power tool serviced by a qualified repair person using only identical replacement parts.** *This will ensure that the safety of the power tool is maintained.*
- b) Never service damaged battery packs.** *Service of battery packs should only be performed by the manufacturer or authorized service providers.*

lightning. This decreases the risk of being struck by lightning.

- b) Thoroughly inspect the area for wildlife where the lawnmower is to be used.** *Wildlife may be injured by the lawnmower during operation.*
- c) Thoroughly inspect the area where the lawnmower is to be used and remove all stones, sticks, wires, bones, and other foreign objects.** *Thrown objects can cause personal injury.*
- d) Before using the lawnmower, always visually inspect to see that the blade and the blade assembly are not worn or damaged.** *Worn or damaged parts increase the risk of injury.*
- e) Check the grass catcher frequently for wear or deterioration.** *A worn or damaged grass catcher may increase the risk of personal injury.*
- f) Keep guards in place. Guards must be in working order and be properly mounted.** *A guard that is loose, damaged, or is not functioning correctly may result in personal injury.*
- g) Keep all cooling air inlets clear of debris.** *Blocked air inlets and debris may result in overheating or risk of fire.*
- h) While operating the lawnmower, always wear non-slip and protective footwear. Do not operate the lawnmower when barefoot or wearing open sandals.** *This reduces the chance of injury to the feet from contact with the moving blade.*
- i) While operating the lawnmower, always wear long trousers.** *Exposed skin increases the likelihood of injury from thrown objects.*
- j) Do not operate the lawnmower in wet grass. Walk, never run.** *This reduces the risk of slipping and falling which may result in personal injury.*
- k) Do not operate the lawnmower on excessively steep slopes.** *This reduces the risk of loss of control, slipping and falling which may result in personal injury.*
- l) When working on slopes, always be sure of your footing, always work across the face of slopes, never up or down and exercise extreme caution when changing direction.** *This reduces the risk of loss of control, slipping and falling which may result in personal injury.*
- m) Use extreme caution when reversing or pulling the lawnmower towards you. Always be aware of your surroundings.** *This reduces the risk of tripping during operation.*
- n) Do not touch blades and other hazardous moving parts while they are still in motion.** *This reduces the risk of injury from moving parts.*
- o) When clearing jammed material or cleaning the lawnmower, make sure all power switches are off and the battery pack is disconnected.** *Unexpected operation of the lawnmower may result in serious personal injury.*

LAWNMOWER SAFETY WARNINGS

- a) Do not use the lawnmower in bad weather conditions, especially when there is a risk of**

SAFETY WARNINGS FOR BATTERY PACK

- a) Do not dismantle, open or shred cells or**

battery pack.

- b) **Do not short-circuit a battery pack. Do not store battery packs haphazardly in a box or drawer where they may short-circuit each other or be short-circuited by conductive materials.** When battery pack is not in use, keep it away from other metal objects, like paper clips, coins, keys, nails, screws or other small metal objects, that can make a connection from one terminal to another. Shorting the battery terminals together may cause burns or a fire.
- c) **Do not expose battery pack to heat or fire. Avoid storage in direct sunlight.**
- d) **Do not subject battery pack to mechanical shock.**
- e) **In the event of battery leaking, do not allow the liquid to come into contact with the skin or eyes. If contact has been made, wash the affected area with copious amounts of water and seek medical advice.**
- f) **Keep battery pack clean and dry.**
- g) **Wipe the battery pack terminals with a clean dry cloth if they become dirty.**
- h) **Battery pack needs to be charged before use. Always refer to this instruction and use the correct charging procedure.**
- i) **Do not maintain battery pack on charge when not in use.**
- j) **After extended periods of storage, it may be necessary to charge and discharge the battery pack several times to obtain maximum performance.**
- k) **Recharge only with the charger specified by Kress. Do not use any charger other than that specifically provided for use with the equipment.**
- l) **Do not use any battery pack which is not designed for use with the equipment.**
- m) **Keep battery pack out of the reach of children.**
- n) **Retain the original product literature for future reference.**
- o) **Remove the battery from the equipment when not in use.**
- p) **Dispose of properly.**
- q) **Do not mix cells of different manufacture, capacity, size or type within a device.**
- r) **Keep the battery away from microwaves and high pressure.**
- s) **Warning! Do not use non-rechargeable batteries.**







- (2) this device must accept any interference received, including interference that may cause undesired operation.
- b) **Caution: Changes or modifications to this unit not expressly approved by the party responsible for compliance could void the user's authority to operate the equipment.**
- c) **NOTE: This equipment generates, uses and can radiate radio frequency energy and, if not installed and used in accordance with the instructions, may cause harmful interference to radio communications. However, there is no guarantee that interference will not occur in a particular installation. If this equipment does cause harmful interference to radio or television reception, which can be determined by turning the equipment off and on, the user is encouraged to try to correct the interference by one or more of the following measures:**
 - Reorient or relocate the receiving antenna.
 - Increase the separation between the equipment and receiver.
 - Connect the equipment into an outlet on a circuit different from that to which the receiver is connected.
 - Consult the dealer or an experienced radio/TV technician for help.









USER MANUAL REQUIREMENTS FOR WIRELESS PRODUCT

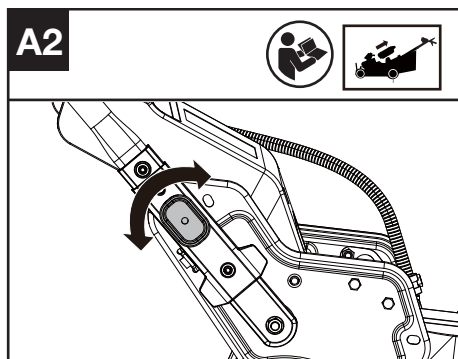
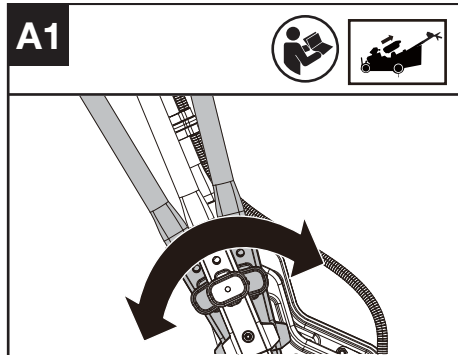
- a) Operation of this device is subject to the following two conditions:
 - (1) This device may not cause harmful interference, and

SYMBOLS

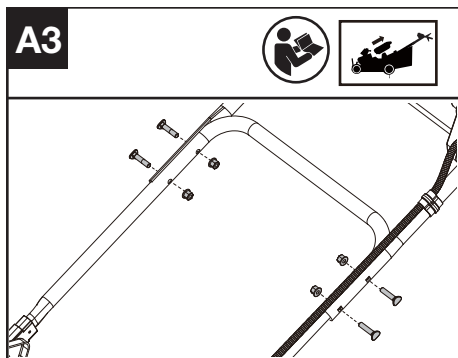
EN

	To reduce the risk of injury, user must read instruction manual
	Warning
	WARNING – Beware of thrown objects – keep bystanders away
	WARNING – Keep hands and feet away from the blades
	WARNING – Disconnect battery before maintenance
	Blade continues to rotate after the machine is switched off. Wait until all machine components have completely stopped before touching them

	Wear protective gloves
	Remove battery from the socket before carrying out any adjustment, servicing or maintenance
	Batteries may enter water cycle if disposed improperly, which can be hazardous for ecosystem. Do not dispose of waste batteries as unsorted municipal waste.
	Do not burn
	High speed
	Low speed
 Li-Ion	Li-Ion battery This product has been marked with a symbol relating to 'separate collection' for all battery packs and battery pack. It will then be recycled or dismantled in order to reduce the impact on the environment. Battery packs can be hazardous for the environment and for human health since they contain hazardous substances.
	Waste electrical products must not be disposed of with household waste. Please recycle where facilities exist. Check with your local authorities or retailer for recycling advice.




Assembling the upper handle. (See Fig. A3)



NOTE: The handles can be fold up for transportation or off-season storage. (See Fig. A4)

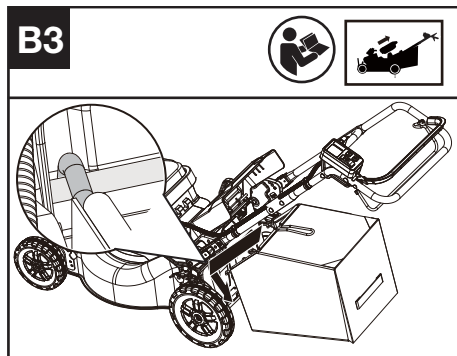
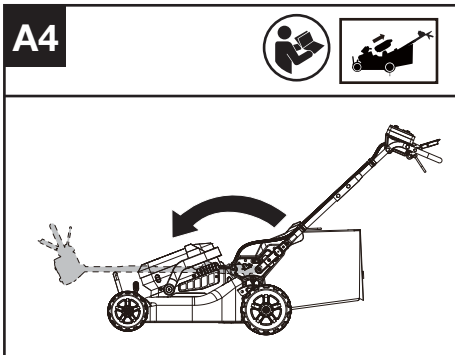
ASSEMBLY & OPERATION

 **NOTE:** Before using the tool, read the instruction book carefully.

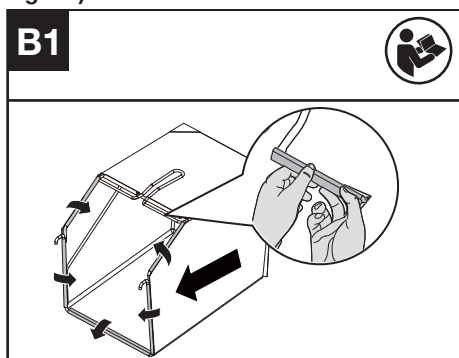
BEFORE OPERATION

Adjusting handle's height and assembling the lower handles. (See Fig. A1,A2)

3 height levels can be selected. Select the appropriate height and rotate the handle height adjustment knob.



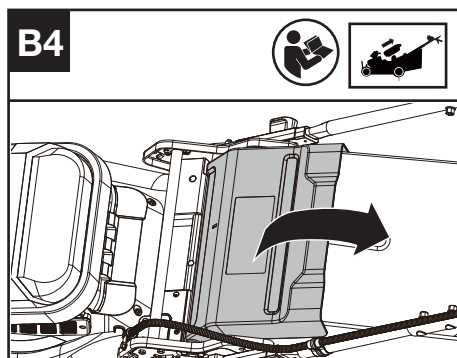
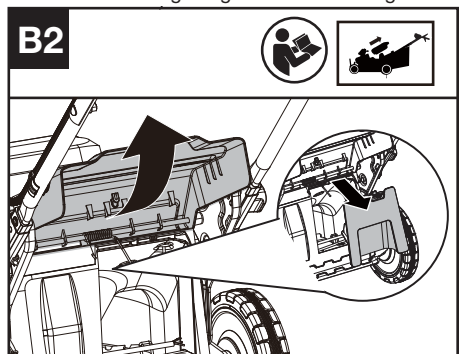
Assembling the grass collection bag (See Fig. B1)



Assembling the grass collection bag to the lawnmower (See Fig. B2,B3,B4)

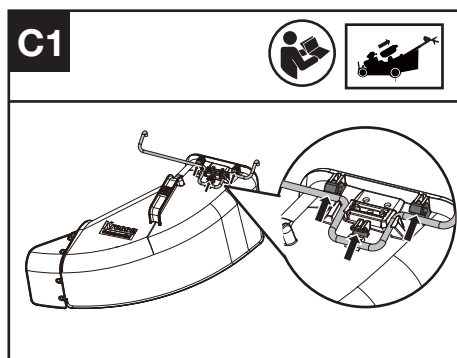
NOTE: Depress the grass collection bag slightly to ensure that it is completely installed.

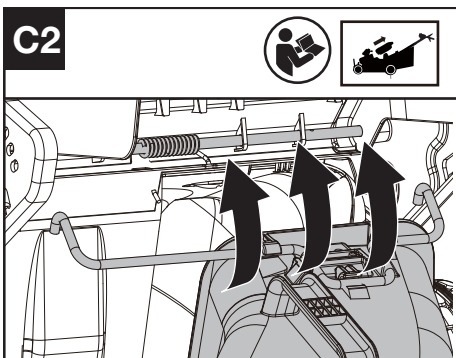
NOTE: Take the mulching plug out of the lawnmower before fitting the grass collection bag.



Assembling the side discharge chute to the lawnmower (See Fig. C1,C2)

NOTE: Take the mulching plug out of the lawnmower and remove the grass collection bag before assembling the side discharge chute.

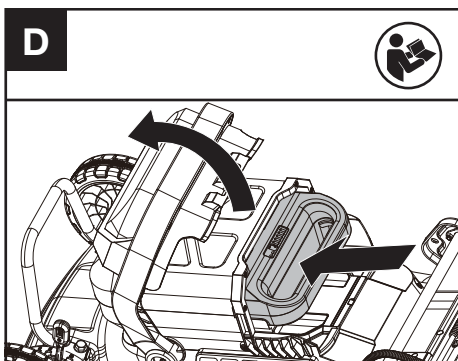




Checking the battery charge condition and checking the battery pack.

NOTE: The batteries are shipped uncharged. The battery must be fully charged before the first mow. More details can be found in the manual of battery and charger.

Fitting/removing the battery (See Fig. D)



Checking the controls

1. Remove the battery.
2. Try to press the on/off switch, cutting blade start button, or cutting speed control. If the on/off switch, cutting blade start button, or cutting speed control gets stuck and cannot spring back to its original position, stop using the mower and contact the service agent.
3. Try to pull and release the operating bail or self-propel engagement bail. If the operating bail or self-propel engagement bail gets stuck and cannot spring back to its original position, stop using the mower and contact the service agent.
4. Rotate the self-propel speed control. If the self-propel speed control gets stuck, stop using the mower and contact the service agent.

Checking the display (See Fig. E)

1. Fit the battery.
2. Keep pressing the on/off switch and the battery indicator (a) and cutting speed indicator (c)

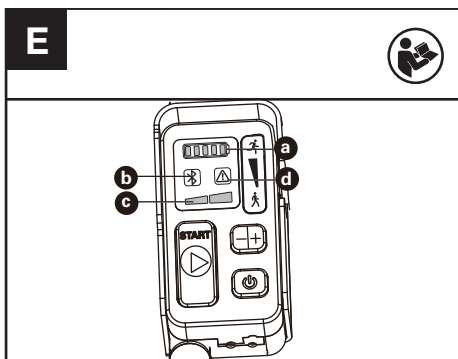
become lit.

3. Press the cutting blade start button and pull the operating bail to start the machine.
4. If the warning indicator (d) is flashing, refer to **Troubleshooting** for solutions.
5. Release the operating bail. The blade stops rotating after a short delay. If the mower cannot stop, remove the battery and contact the service agent.

LED indicators

- | | |
|----|-------------------------|
| a. | BATTERY INDICATOR |
| b. | BLUETOOTH INDICATOR |
| c. | CUTTING SPEED INDICATOR |
| d. | WARNING INDICATOR |

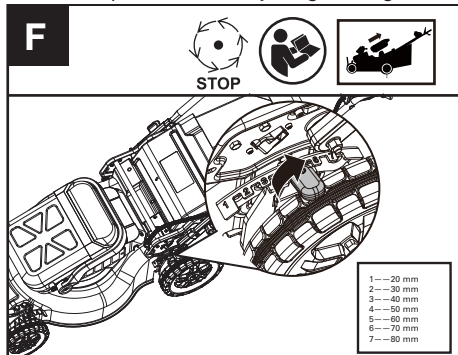
NOTE: The warning indicator will flash red or yellow when the machine malfunctions. If the red light flashes, please seek assistance from the dealer. If the yellow light flashes, switch off the machine, remove the battery pack, then re-fit the battery pack and switch on the machine. If the yellow light continues to flash, please seek assistance from the dealer.



Adjusting the cutting height (See Fig. F)

Adjust the cutting height through cutting height adjustment levers of front and rear wheel.

NOTE: Ensure that the front and rear wheels are kept in the same position when adjusting the height.



WARNING! Stop, release operating bail and wait until the motor stops before adjusting height. The blades continue to rotate after the machine is switched off, a rotating blade can cause injury. Do not touch rotating blades.

OPERATION

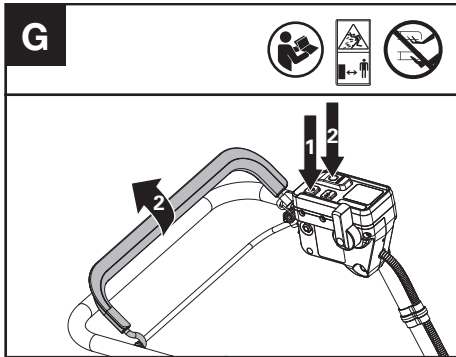
Starting & Stopping the mower (See Fig. G)

1. Press the on/off switch
2. Press the cutting blade start button (Hold Down) and pull the operating bail to start the machine.
3. Release the operating bail to stop.

WARNING! The blade continues to rotate after the mower has been switched off; wait until it has completely stopped.

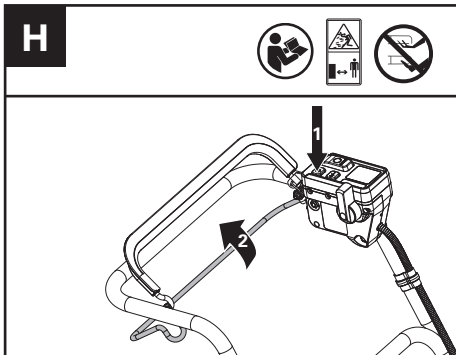
NOTE: For starting, press the cutting blade start button and pull the operating bail at the same time.

NOTE: Keep pressing the on/off switch and the display become lit. The display will automatically turn off if there is no any operation within 60 seconds.

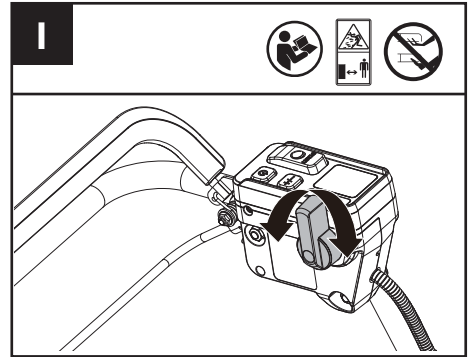


Operating the self-propel system (See Fig. H)

1. Press the on/off switch
2. Pull the self-propel engagement bail to start the self-propel system.
3. Release the self-propel engagement bail to stop.

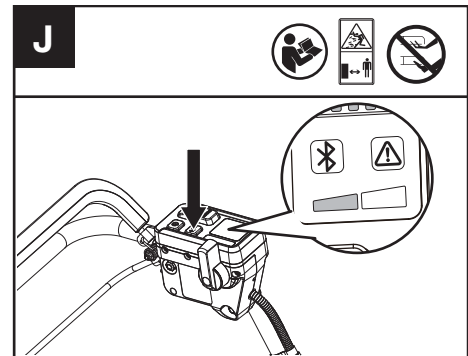


Selecting self-propel speed (See Fig. I)



Selecting cutting speed (See Fig. J)

2 cutting speed levels can be selected depending on the application. Use the +/- to control the speed, which is as indicated by the LED indicators. The higher the cutting speed level, the faster the tool runs.



MULCHING MOWING TIPS

While mulching, your new mower is designed to cut the grass clippings into small pieces and distribute them back into the lawn. Under normal conditions, the mulched grass will biodegrade quickly and deliver nutrients to the lawn. Please review the following recommendations for optimum mulching performance.

- 1) Avoid mowing when the grass is wet from rain or dew. Wet grass may form clumps which interfere with the mulching action and reduce the runtime.
- 2) For the best mulching performance, set the cutting height to remove about one third of the grass blade length, ideally no more than 40 mm at one time. If the lawn is overgrown, it may be necessary to increase the cutting height to reduce the pushing effort and prevent overloading the motor. For extremely heavy mulching, it is advisable to first cut at a high cut height setting, and then re-cut to the final cut height. Otherwise, make narrower cuts and mow slowly.

- 3) For the best performance, keep the mower housing free of built-up grass. From time to time turn off mower and wait for the blades to come to a complete stop. Remove the batteries and turn mower on its side. Using an object such as a stick, wipe out any accumulation of grass around the blade area. Be careful of the sharp edges of the blade. Ensure to clean the blade area often when cutting wet or new grass and every time after the machine is used.
- 4) Certain types of grass or grass conditions may require that an area be mulched a second time to fully disperse the grass throughout the lawn. If cutting a second time, it is advisable to cut perpendicular (across) the first cut pattern. **DO NOT CHANGE CUT PATTERN IN ANY WAY THAT WOULD CAUSE MOWING DOWN A HILL.**
- 5) Change your cutting pattern from week to week. This will help prevent matting and graining of the lawn.
- 6) Do not mow on a slope that has an angle of greater than 18°.

CUTTING AREA

The cutting area can be affected by several factors, such as cutting height, lawn humidity, grass length and density. Besides, starting and stopping the mower too many times during operation will reduce the cutting area.

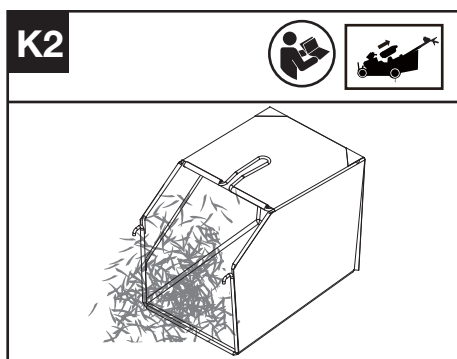
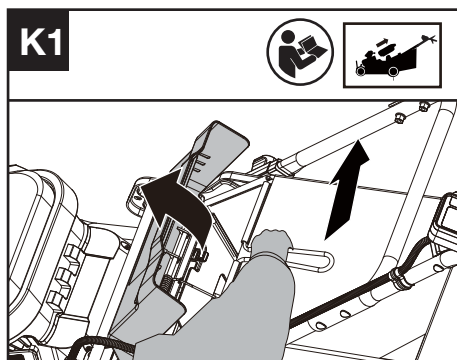
TIPS:

- 1) It is recommended to mow your lawn more frequently, walk at normal pace, and not to start/stop the mower too often during operation.
- 2) For best performance, please ensure battery pack is fully charged and always cut off 1/3 or less of the grass height. It is suggested to install a new blade before the cutting season begins.
- 3) Walk slowly when cutting long grass, so as to have more effective cutting and properly discharge the clippings.
- 4) Avoid cutting wet grass, otherwise it will stick to the underside of the deck and the clippings cannot be collected or discharged properly.
- 5) A higher cutting height shall be applied to new or thick grass and it will extend the battery duration.

Removing/emptying grass collection bag

(See Fig. K1, K2)

WARNING! Always check the safety flap has closed the discharge outlet before using. Never lift the safety flap or remove the mulching plug when the lawn mower is being used without fitted grass collection bag.



FOR BATTERY TOOLS

The recommended ambient temperature range for discharging is -20 °C~45 °C (-4 °F~113 °F).

The recommended ambient temperature range for the charging system during charging is -5 °C~45 °C (23 °F~113 °F).

Details regarding safe disposal of used batteries:

At the end of the life of the appliance, remove the battery pack safely before disposing of the appliance. Do not throw batteries away or throw them in the normal trash can. Also do not dispose of the battery with the machine. Remove the used battery pack from the appliance and dispose of it at the nearest or convenient dedicated recycling facility. If in doubt, consult your local environmental protection department. Batteries may enter water cycle if disposed improperly, which can be hazardous for ecosystem. Do not dispose of waste batteries as unsorted municipal waste.

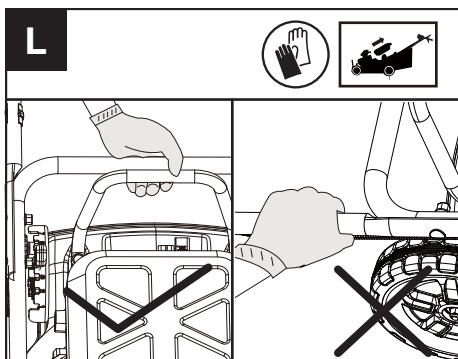
TRANSPORTATION

Transporting the mower

1. Switch off the mower and remove the battery.
2. When transporting your mower, the self drive can be used without engaging the cutting blade.

- For lifting the mower, it is recommended that two people lift from each side of the mower using the motor guard and lower handle connection areas as handles.

When lifting the machine in the folded state, grasp the motor guard, not the handles. (See Fig. L)



Transporting the battery

- Ensure the battery is in a safe condition.
- Use non-conductive packaging when transporting the battery.
- The contained Li-Ion batteries are subject to the dangerous goods legislation requirements. Transport batteries only when the battery housing is undamaged. Pack up the batteries in such a manner that cannot move around in the packaging.

MAINTENANCE



WARNING! Stop the mower and remove the battery before removing the grass collection bag.

NOTE: To ensure long and reliable service, perform the following maintenance procedures regularly. Check for obvious defects such as a loose, dislodged or a damaged blade, loose fittings, and worn or damaged components. Check that the covers and guards are all undamaged and are correctly attached to mower. Carry out any necessary maintenance or repairs before operating mower. If the mower should happen to fail despite regular maintenance, please call our customer helpline for advice.

BLADE SHARPENING

KEEP BLADE SHARP FOR BEST MOWER PERFORMANCE. A DULL BLADE DOES NOT CUT GRASS CLEANLY OR MULCH PROPERLY. WEAR EYE PROTECTION AND ANTI-CUT GLOVES WHILE REMOVING, SHARPENING, AND INSTALLING BLADE.

NOTE: Sharpening or replacing the blade after every 50 hours. Sand causes the blade to dull quickly. If your lawn has sandy soil, more frequent sharpening or replacing may be required.

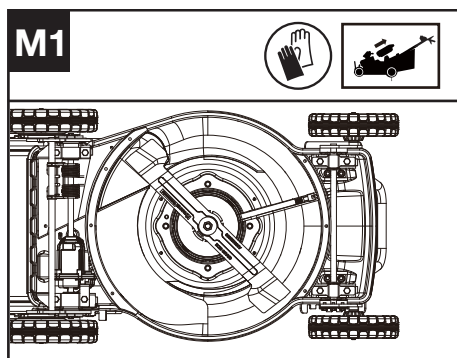
REPLACE BENT OR DAMAGED BLADE IMMEDIATELY.

WHEN SHARPENING THE BLADE

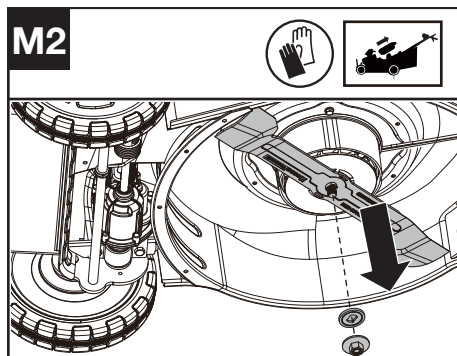
- Use a block of wood placed to prevent the blade from turning.
- Using the socket and wrench, remove the blade bolt and then the blade. (See the blade removing section)
- Clamp the blade in a vice, or similar, to prevent it from moving during sharpening.
- Sharpen the cutting edges on both ends of the blade. Ensure that the same amount of material is removed from both ends to keep the blade balanced.
- Check the blade balance. (See the blade balancing section)
- Replace the blade in the reverse order of the disassembly.
- Make sure to tighten the blade bolt to the required torque (25 Nm).

NOTE:

- Be sure the mower is turned off and remove the battery.
- Tip the mower onto its side as shown in figure M1

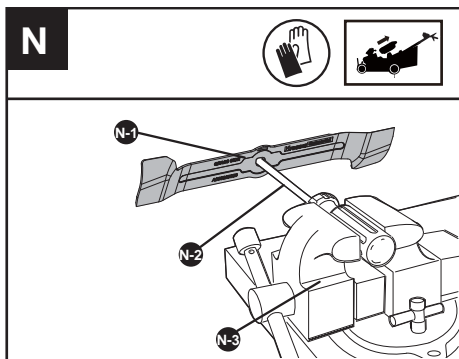


BLADE REMOVING (SEE FIG. M2)



BLADE BALANCING (SEE FIG. N)

Check balance of blade by placing center hole in blade N-1 over a screwdriver shank N-2, clamped horizontally in a vise N-3. If either end of the blade rotates downward, file that end. Blade is properly balanced when neither end drops.



BLADE REPLACING

-Suggest to replace different mower blades according to different working conditions for better using experience.

EN	BLADE	FUNCTION
	High-lift blade	Recommended for bagging
	Gator blade	Recommended for mulching

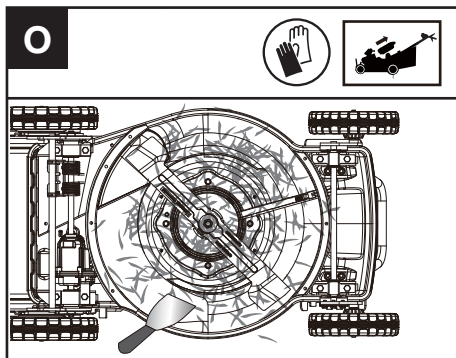
CLEANING

1. Stop the mower and remove the battery.
2. Do not use aggressive detergents or solvents. Clean the machine after use with a damp cloth dipped in mild detergent.
3. Keep battery connection free of dirt and debris, and clean with a soft and dry brush or cloth.
4. Do not spray water onto the motor and electrical components.
5. Do not use pressure washer to clean your machine.

Cleaning the deck and the blade area. (See Fig. O)

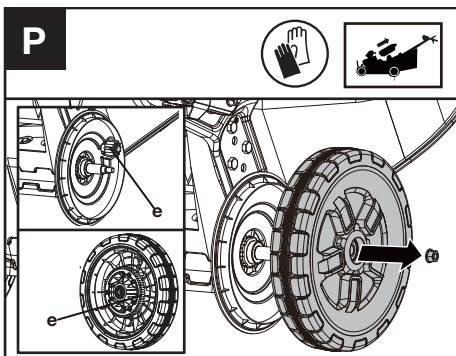
Cleaning grass clippings and debris off of the deck and the blade area.

If grass cuttings are compacted in the blade area, remove with a wooden or plastic implement.



Cleaning the wheels. (See Fig. P)

- Stop the mower and remove the battery.
- Cleaning the wheels every 50 hours or more frequently in extreme conditions.
- Remove the rear wheels and clean the grass clippings and debris from the wheel-gear area.
- It is suggested to apply a small amount of anti-seize compound to the gears(e) after cleaning.



Cleaning the air filter (See Fig. Q1, Q2)

1. Clean the area around the air filter. Use a damp cloth or a soft brush.
2. Unscrew and remove the air filter.
3. Wash the air filter with running water to remove the dirt.
4. Allow the air filter to dry in the air. And then install it in the housing by tightening the screw.

STORAGE

1. Stop the mower and remove the battery.
2. Clean the exterior of the machine thoroughly using a soft brush and cloth. Do not use solvents or polishes. Remove all grass and debris, especially from the ventilation slots, mulching plate, blade area and the wheels.
3. Store the machine in a dry place, where is out of the reach of children and other unauthorized people. Do not place other objects on top of the machine.
4. To aid storage, fold the handle bar.
5. Store the battery only within a temperature range between 5 °C (41 °F) and 25 °C (77 °F). As an example, do not leave the battery in the car in summer time.
6. If the machine becomes wet in the rain during operation, the machine and the battery should be dried before storing or charging. Remove the battery and reinsert it if the machine fails to turn on.

TROUBLESHOOTING

The following table gives problems and actions that you can perform if your machine does not operate correctly.



WARNING: Switch the machine off and remove the battery prior to any troubleshooting.


PROBLEM	SOLUTION
1. Mower doesn't run when operating bail is activated.	<p>A. Check to make sure that cutting blade start button is being completely pressed.</p> <p>B. Release operating bail to turn mower off. Remove the battery, turn mower over and check that blade is free to turn. If not free, return to an authorized servicer. Blade should turn freely.</p> <p>C. Has battery been fully charged? Plug in charger and wait for green light to come on.</p> <p>D. For starting, press both the cutting blade start button and pull the operating bail at the same time.</p>
2. Motor stops while mowing.	<p>A. Release operating bail to turn mower off. Remove the battery, turn mower over to check if mower is plugged with grass debris, remove debris from blade rotation area. Then, check that blade is free to turn. If not free, return to an authorized servicer. Blade should turn freely.</p> <p>B. Raise cutting height of wheels to highest position and start mower.</p> <p>C. Has battery been fully charged? Plug in charger and wait for green light to come on.</p> <p>D. Avoid overloading the mower. Slow down the cutting pace by pushing mower slower or raise the cut height. Or both.</p>
3. Mower runs but cutting performance is unsatisfactory, or does not cut entire lawn.	<p>A. Has battery been fully charged? Plug in charger and wait for green light to come on.</p> <p>B. Release operating bail to turn mower off. Remove the battery. Turn mower over and check: Blade for sharpness - Keep blade sharp. Deck and discharge chute for clogging.</p> <p>C. Wheel height adjustment may be set too low for grass condition. Raise cutting height.</p>
4. Mower is too hard to push.	<p>A. Raise cutting height to reduce deck drag on grass. Check each wheel for free rotation.</p>
5. Mower is abnormally noisy and vibrates.	<p>A. Release operating bail to turn mower off. Remove the battery. Turn mower on side and check blade to ensure it has not been bent or damaged. If blade is damaged, replace with a replacement blade. If the underside of the deck is damaged return mower to an authorized service center.</p> <p>B. If there is no visible damage to the blade and the mower still vibrates: Release operating bail to turn mower off, remove the battery, and remove the blade. Rotate blade 180 degrees and retighten. If mower still vibrates, return the mower to an authorized service center.</p>
6. Battery charger LED's not on.	<p>A. Check plug connection.</p> <p>B. Replace charger.</p>
7. Battery charger LED does not flip to green.	<p>A. Battery needs to be diagnosed. Take to authorized service center.</p>

EN

8. Mower not picking up clippings with the grass collection bag.	A. Rear chute clogged. Release operating bail to turn mower off. Remove the battery. Clear chute of grass clippings. B. Too much cut grass. Raise cutting height of wheels to shorten length of the cut. C. Bag full. Empty bag more often.
9. When mulching there are clippings visible.	A. Too much cut grass. Raise cutting height of wheels to shorten length of the cut. Do not cut off more than 1/3 of total length. B. Check blade for sharpness. Always keep blade sharp. C. Reduce speed if grass is high or extremely thick.
10. Low or diminished run-time after many uses	A. Return to authorized service location - may need new battery.
11. Warning indicator is flashing.	A. Switch off the machine and remove the battery pack, then re-fit the battery pack and switch on the machine. B. Contact service agent

TECHNICAL DATA

Type Designation: **KC720 KC720.X (720-designation of machinery, representative of Reinforced Steel Deck SP Mower)**

	KC720 KC720.X **
Voltage	60V  Max***
Deck material	Reinforced steel -1.8 mm
Cutting width	47 cm
Max. SP Speed	6.4 km/h
Cutting height	20-80 mm
Cutting height positions	7
Grass collection capacity	70 L
Degree of protection	IPX4
Run time	70min@11Ah****
Machine weight (bare tool)	38 kg

** X=1-999,A-Z,M1-M9 they are only used for different customers, there are no safe relevant changes between these models.

*** Voltage measured without workload. Initial battery voltage reaches maximum of 60 volts. Nominal voltage is 54 volts.

**** Run time may vary depending on how the tool is used and grass conditions. The selected cutting speed level affects the battery's runtime. The lower the cutting speed level, the longer the run time.

SUGGESTED BATTERIES AND CHARGERS

Battery	Capacity	Charger	Amperage
KAC810	11 Ah	KAC840	30 A

We recommend that you purchase your accessories from the same Dealer that sold you the tool. Refer to the accessory packaging for further details. Your Dealer can assist you and offer advice.

TECHNICAL DATA FOR BATTERY PACK (OPTIONAL)

Frequency bands for Bluetooth	2400-2483.5 MHz
Maximum Output Power for Bluetooth	8 dBm

NOISE INFORMATION

A weighted sound pressure	$L_{pA} = 83.2 \text{ dB(A)}$
K_{pA}	3 dB(A)
A weighted sound power	$L_{wA} = 95.84 \text{ dB(A)}$
K_{wA}	0.65 dB(A)

Wear ear protection



VIBRATION INFORMATION

Typical weighted vibration	$a_n < 2.5 \text{ m/s}^2$
Uncertainty	$K = 1.5 \text{ m/s}^2$

WARNING: The vibration emission value during actual use of the power tool can differ from the declared value depending on the ways in which the tool is used dependant on the following examples and other variations on how the tool is used:

How the tool is used and the materials being cut or drilled.

The tool being in good condition and well maintained

Using the correct accessory for the tool and ensuring it is sharp and in good condition.

The tightness of the grip on the handles and if any anti vibration accessories are used.

And the tool is being used as intended by its design and these instructions.

This tool may cause hand-arm vibration syndrome if its use is not adequately managed.

WARNING: To be accurate, an estimation of exposure level in the actual conditions of use should also take account of all parts of the operating cycle such as the times when the tool is switched off and when it is running idle but not actually doing the job. This may significantly reduce the exposure level over the total working period.

Helping to minimise your vibration exposure risk.


ALWAYS use sharp chisels, drills and blades

Maintain this tool in accordance with these instructions and keep well lubricated (where appropriate)

If the tool is to be used regularly then invest in anti vibration accessories.

Plan your work schedule to spread any high vibration tool use across a number of days.

ENVIRONMENTAL PROTECTION

 Waste electrical products must not be disposed of with household waste. Please recycle where facilities exist. Check with your local authorities or retailer for recycling advice.

DECLARATION OF CONFORMITY

We,
Positec Germany GmbH
Postfach 680194, 50704 Cologne, Germany

On behalf of Positec declare that the product
Description **Battery powered Lawn Mower**
Type **KC720 KC720.X (720-designation of machinery, representative of Reinforced Steel Deck SP Mower)**
Function **cutting grass**

Complies with the following Directives:
2006/42/EC, 2014/30/EU, 2011/65/EU & (EU)
2015/863, 2000/14/EC amended by 2005/88/EC

2000/14/EC amended by 2005/88/EC:
- Conformity Assessment Procedure as per **Annex VI**
- Measured Sound Power Level **95.84 dB (A)**
- Declared Guaranteed Sound Power Level **96 dB (A)**

The notified body involved
Name: TÜV Rheinland LGA Products GmbH
(Notified body 0197)
Address: Tillystraße 2-90431 Nürnberg

Standards conform to
EN 62841-1, EN IEC 62841-4-3, EN ISO 3744, EN IEC 55014-1, EN IEC 55014-2, EN IEC 63000

The person authorized to compile the technical file,
Name Marcel Filz
Address Positec Germany GmbH
Postfach 680194, 50704 Cologne, Germany



2024/02/05
Allen Ding
Deputy Chief Engineer, Testing & Certification
Positec Technology (China) Co., Ltd
18, Dongwang Road, Suzhou Industrial
Park, Jiangsu 215123, P. R. China

DECLARATION OF CONFORMITY

We,
Positec (UK & Ireland) Ltd
PO Box 6242, Newbury, RG14 9LT, UK

On behalf of Positec declare that the product
Description **Battery powered Lawn Mower**
Type **KC720 KC720.X (720-designation of machinery, representative of Reinforced Steel Deck SP Mower)**
Function **cutting grass**

Complies with the following Regulations:
Supply of Machinery (Safety) Regulations 2008
Electromagnetic Compatibility Regulations 2016
The Restriction of the Use of Certain Hazardous Substances in Electrical and Electronic Equipment Regulations

Noise Emission in the Environment by Equipment for Use Outdoors Regulations

- Conformity Assessment Procedure as per **SCHEDULE 9**
- Measured Sound Power Level **95.84 dB (A)**
- Declared Guaranteed Sound Power Level **96 dB (A)**

The notified body involved
Name: TÜV Rheinland LGA Products GmbH (Notified body 0197)
Address: Tillystraße 2-90431 Nürnberg

Standards conform to
BS EN 62841-1, BS EN 62841-4-3, BS EN ISO 3744, BS EN IEC 55014-1, BS EN IEC 55014-2, BS EN IEC 63000

The person authorized to compile the technical file,

Name **Jim Kirkwood**
Address **Positec (UK & Ireland) Ltd,
PO Box 6242, Newbury, RG14 9LT, UK**



2023/09/01
Allen Ding
Deputy Chief Engineer, Testing & Certification
Positec Technology (China) Co., Ltd
18, Dongwang Road, Suzhou Industrial Park, Jiangsu 215123, P. R. China

INHALTSVERZEICHNIS

Einführung.....	21
Komponenten.....	23
Produktsicherheit.....	24
Montage und Bedienung.....	28
Transport.....	33
Wartung	33
Reinigung.....	34
Aufbewahrung.....	35
Störungsbehebung.....	36
Technische Daten.....	37
Umweltschutz.....	39
Konformitätserklärung.....	39

INTRODUCTION

Sehr geehrter Kunde,

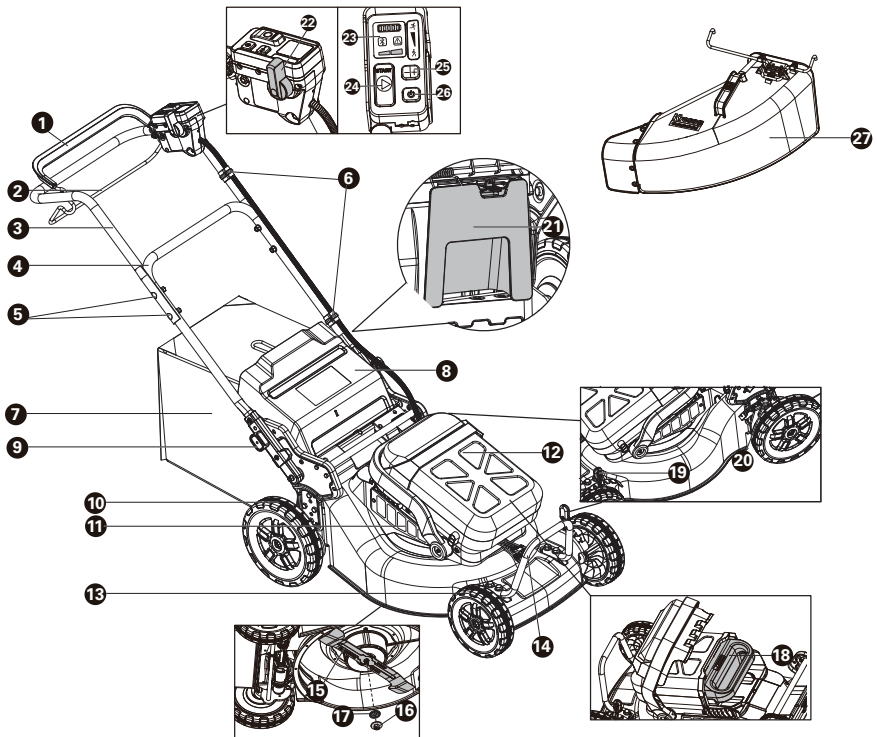
Vielen Dank, dass Sie dieses Kress Commercial-Produkt gekauft haben. Wir sind bestrebt, qualitativ hochwertige Produkte zu entwickeln, die Ihren Anforderungen im gewerblichen Landschaftsbau gerecht werden.

Die Marke Kress steht für erstklassigen Service. Wenn Sie im Laufe der Jahre Fragen oder Bedenken zu Ihrem Produkt haben, wenden Sie sich bitte an Ihren Händler oder an unser Kundendienstteam, um Hilfe zu erhalten.

Wir sind zuversichtlich, dass Sie in den kommenden Jahren die Arbeit mit Ihrem Kress-Produkt genießen werden.

BESTIMMUNGSGEMÄSSER GEBRAUCH

Dieses Produkt ist für das gewerbliche Rasenmähen bestimmt..



KOMPONENTEN

1. **BEDIENBÜGEL (MESSEREINRASTUNG)**
2. **EINSCHALTBÜGEL FÜR DEN EIGENANTRIEB**
3. **OBERER GRIFF**
4. **UNTERER GRIFF**
5. **GRIFFVERSCHLÜSSE**
6. **KABELCLIP**
7. **GRASFANGKORB**
8. **SICHERHEITSKLAPPE**
9. **HÖHENVERSTELLKNOPF**
10. **HINTERRAD**
11. **LUFTFILTER**
12. **AKKUFACH-ABDECKUNG**
13. **VORDERRAD**
14. **MOTORSCHUTZ**
15. **MÄHMESSER**
16. **MÄHMESSERBOLZEN**
17. **ABSTANDSHALTER**
18. **AKKUPACK***
19. **HEBEL ZUR EINSTELLUNG DER SCHNITTHÖHE VORNE**
20. **HEBEL ZUR EINSTELLUNG DER SCHNITTHÖHE HINTEN**
21. **MULCHSTECKER**
22. **GESCHWINDIGKEITSSTEUERUNG FÜR DEN EIGENANTRIEB**
23. **LED-ANZEIGEN**
24. **STARTTASTE FÜR DAS MÄHMESSER**
25. **MÄHGESCHWINDIGKEITSREGLER**
26. **EIN/AUS-SCHALTER**
27. **SEITLICHER AUSWURFKANAL***

* Abgebildetes oder beschriebenes Zubehör gehört teilweise nicht zum Lieferumfang.

ORIGINALBETRIEBSANLEITUNG

EINFÜHRUNG

PRODUKTSICHERHEIT

ALLGEMEINE SICHERHEITSHINWEISE FÜR ELEKTROWERKZEUGE



WARNUNG! Machen Sie sich mit allen Sicherheitswarnungen, Anweisungen, Abbildungen und Spezifikationen vertraut, die mit diesem Elektrowerkzeug geliefert werden.

Die Nichtbeachtung der unten aufgeführten Anweisungen kann in elektrischen Schlägen, Feuer und/oder schweren Verletzungen resultieren.

Bewahren Sie alle Sicherheitshinweise und Anweisungen für die Zukunft auf.

Der in den Sicherheitshinweisen verwendete Begriff „Elektrowerkzeug“ bezieht sich auf akkubetriebene Elektrowerkzeuge (ohne Netzkabel).

1) Arbeitsplatzsicherheit

- a) **Halten Sie Ihren Arbeitsbereich sauber und gut beleuchtet.** *Unordnung oder unbeleuchtete Arbeitsbereiche können zu Unfällen führen.*
- b) **Arbeiten Sie mit dem Elektrowerkzeug nicht in explosionsgefährdeter Umgebung, in der sich brennbare Flüssigkeiten, Gase oder Stäube befinden.** *Elektrowerkzeuge erzeugen Funken, die den Staub oder die Dämpfe entzünden können.*
- c) **Halten Sie Kinder und andere Personen während der Benutzung des Elektrowerkzeugs fern.** *Bei Ablenkung können Sie die Kontrolle über das Gerät verlieren.*

2) Elektrische Sicherheit

- a) **Der Anschlussstecker des Elektrowerkzeuges muss in die Steckdose passen.** *Der Stecker darf in keinsten Weise verändert werden. Verwenden Sie keine Adapterstecker gemeinsam mit schutzgeerdeten Elektrowerkzeugen. Unveränderte Stecker und passende Steckdosen verringern das Risiko eines elektrischen Schlages.*
- b) **Vermeiden Sie Körperkontakt mit geerdeten Oberflächen wie von Rohren, Heizungen, Herden und Kühlschränken.** *Es besteht ein erhöhtes Risiko durch elektrischen Schlag, wenn Ihr Körper geerdet ist.*
- c) **Betreiben Sie das Gerät nicht bei Regen oder bei Nässe.** *Dies kann das Risiko eines Stromschlags erhöhen.*
- d) **Zweckfremden Sie das Kabel nicht, um das Elektrowerkzeug zu tragen, aufzuhängen oder um den Stecker aus der Steckdose zu ziehen.** *Halten Sie das Kabel fern von Hitze, Öl, scharfen Kanten oder sich bewegenden Geräteteilen. Beschädigte oder verwickelte*

Kabel erhöhen das Risiko eines elektrischen Schlages.

- e) **Wenn Sie mit einem Elektrowerkzeug im Freien arbeiten, verwenden Sie nur Verlängerungskabel, die auch für den Außenbereich geeignet sind.** *Die Anwendung eines für den Außenbereich geeigneten Verlängerungskabels verringert das Risiko eines elektrischen Schlages.*
- f) **Wenn der Betrieb des Elektrowerkzeuges in feuchter Umgebung nicht vermeidbar ist, verwenden Sie einen Fehlerstromschutzschalter.** *Der Einsatz eines Fehlerstromschutzschalters vermindert das Risiko eines elektrischen Schlages.*
- #### 3) Sicherheit von Personen
- a) **Seien Sie aufmerksam, achten Sie darauf, was Sie tun, und gehen Sie mit Vernunft an die Arbeit mit einem Elektrowerkzeug.** *Benutzen Sie kein Elektrowerkzeug, wenn Sie müde sind oder unter dem Einfluss von Drogen, Alkohol oder Medikamenten stehen. Ein Moment der Unachtsamkeit beim Gebrauch des Elektrowerkzeuges kann zu ernsthaften Verletzungen führen.*
- b) **Tragen Sie persönliche Schutzausrüstung und immer eine Schutzbrille.** *Das Tragen persönlicher Schutzausrüstung, wie Staubmaske, rutschfeste Sicherheitsschuhe, Schutzhelm oder Gehörschutz, je nach Art und Einsatz des Elektrowerkzeuges, verringert das Risiko von Verletzungen.*
- c) **Vermeiden Sie eine unbeabsichtigte Inbetriebnahme.** *Vergewissern Sie sich, dass das Elektrowerkzeug ausgeschaltet ist, bevor Sie es an den Akku anschließen, es aufnehmen oder tragen. Wenn Sie beim Tragen des Elektrowerkzeuges den Finger am Schalter haben oder das Gerät eingeschaltet an die Stromversorgung anschließen, kann dies zu Unfällen führen.*
- d) **Entfernen Sie Einstellwerkzeuge oder Schraubenschlüssel, bevor Sie das Elektrowerkzeug einschalten.** *Ein Werkzeug oder Schlüssel, der sich in einem drehenden Geräteteil befindet, kann zu Verletzungen führen.*
- e) **Vermeiden Sie eine abnormale Körperhaltung.** *Sorgen Sie für einen sicheren Stand und halten Sie jederzeit das Gleichgewicht. Dadurch können Sie das Elektrowerkzeug in unerwarteten Situationen besser kontrollieren.*
- f) **Tragen Sie geeignete Kleidung.** *Tragen Sie keine weite Kleidung oder Schmuck. Halten Sie Haare und Kleidung fern von sich bewegenden Teilen. Lockere Kleidung, Schmuck oder lange Haare können von sich bewegenden Teilen erfasst werden.*
- g) **Wenn Staubabsaug- und -auffangeinrichtungen montiert werden können, vergewissern Sie sich, dass diese angeschlossen sind und richtig verwendet**

werden. Verwendung einer Staubabsaugung kann Gefährdungen durch Staub verringern.

- h) **Vermeiden Sie, durch die häufige Nutzung des Werkzeugs in einen Trott zu verfallen und Prinzipien für die Werkzeugsicherheit zu ignorieren.** Eine unachtsame Aktion kann im Bruchteil einer Sekunde zu schweren Verletzungen führen.
- 4) **Verwendung und Behandlung des Elektrowerkzeuges**
- a) **Überlasten Sie das Gerät nicht. Verwenden Sie für Ihre Arbeit das dafür bestimmte Elektrowerkzeug.** Mit dem passenden Elektrowerkzeug arbeiten Sie besser und sicherer im angegebenen Leistungsbereich.
- b) **Benutzen Sie kein Elektrowerkzeug, dessen Schalter defekt ist.** Ein Elektrowerkzeug, das sich nicht mehr ein- oder ausschalten lässt, ist gefährlich und muss repariert werden.
- c) **Entfernen Sie den Akku, bevor Sie Geräteeinstellungen vornehmen, Zubehörteile wechseln oder das Gerät weglegen.** Diese Vorsichtsmaßnahme verhindert den unbeabsichtigten Start des Elektrowerkzeuges.
- d) **Bewahren Sie unbenutzte Elektrowerkzeuge außerhalb der Reichweite von Kindern auf. Lassen Sie Personen das Gerät nicht benutzen, die mit diesem nicht vertraut sind oder diese Anweisungen nicht gelesen haben.** Elektrowerkzeuge sind gefährlich, wenn Sie von unerfahrenen Personen benutzt werden.
- e) **Pflegen Sie Elektrowerkzeuge mit Sorgfalt. Kontrollieren Sie, ob bewegliche Teile einwandfrei funktionieren und nicht klemmen, ob Teile gebrochen oder so beschädigt sind, dass die Funktion des Elektrowerkzeuges beeinträchtigt ist. Lassen Sie beschädigte Teile vor dem Einsatz des Gerätes reparieren. Viele Unfälle haben ihre Ursache in schlecht gewarteten Elektrowerkzeugen.**
- f) **Halten Sie Schneidwerkzeuge scharf und sauber.** Sorgfältig gepflegte Schneidwerkzeuge mit scharfen Schneidkanten verklemmen sich weniger und sind leichter zu führen.
- g) **Verwenden Sie Elektrowerkzeug, Zubehör, Einsatzwerkzeuge usw. entsprechend diesen Anweisungen. Berücksichtigen Sie dabei die Arbeitsbedingungen und die auszuführende Tätigkeit.** Der Gebrauch von Elektrowerkzeugen für andere als die vorgesehenen Anwendungen kann zu gefährlichen Situationen führen.
- h) **Halten Sie die Griffe trocken, sauber und frei von Öl und Fett. Rutschige Griffe und Oberflächen unterbinden die sichere Bedienbarkeit und Kontrolle über das Werkzeug in unerwarteten Situationen.**
- 5) **Verwendung und Behandlung des Akkuwerkzeugs**
- a) **Laden Sie die Akkus nur in Ladegeräten auf, die vom Hersteller empfohlen werden. Für ein Ladegerät, das für eine bestimmte Art von**

Akkus geeignet ist, besteht Brandgefahr, wenn es mit anderen Akkus verwendet wird.

- b) **Verwenden Sie nur die dafür vorgesehenen Akkus in den Elektrowerkzeugen.** Der Gebrauch von anderen Akkus kann zu Verletzungen und Brandgefahr führen.
- c) **Halten Sie den nicht benutzten Akku fern von Büroklammern, Münzen, Schlüsseln, Nägeln, Schrauben oder anderen kleinen Metallgegenständen, die eine Überbrückung der Kontakte verursachen könnten.** Ein Kurzschluss zwischen den Akkukontakten kann Verbrennungen oder Feuer zur Folge haben.
- d) **Bei falscher Anwendung kann Flüssigkeit aus dem Akku austreten. Vermeiden Sie den Kontakt damit. Bei zufälligem Kontakt mit Wasser abspülen.** Wenn die Flüssigkeit in die Augen kommt, nehmen Sie zusätzlich ärztliche Hilfe in Anspruch. Austretende Akkufflüssigkeit kann zu Hautreizungen oder Verbrennungen führen.
- e) **Verwenden Sie kein Akkupack oder Werkzeug, das beschädigt ist.** Beschädigte oder modifizierte Akkus können unvorhersehbare Reaktionen auslösen und zu Bränden, Explosionen oder Verletzungen führen.
- f) **Setzen Sie das Akkupack oder Werkzeug keinem Feuer oder übermäßig hohen Temperaturen aus.** Die Belastung durch Feuer oder Temperaturen über 130 °C kann zur Explosion führen.
- g) **Befolgen Sie alle Ladeanweisungen, und laden Sie das Akkupack oder Werkzeug nicht außerhalb des in den Anweisungen festgelegten Temperaturbereichs auf.** Ein unsachgemäßer Ladevorgang oder Temperaturen außerhalb des festgelegten Bereichs können den Akku schädigen und die Brandgefahr erhöhen.
- 6) **Service**
- a) **Lassen Sie Ihr Elektrowerkzeug nur von qualifiziertem Fachpersonal und nur mit Original-Ersatzteilen reparieren.** Damit wird sichergestellt, dass die Sicherheit des Gerätes erhalten bleibt.
- b) **Führen Sie niemals Wartungsarbeiten an beschädigten Akkus durch.** Die Wartung von Akkupacks darf nur vom Hersteller selbst oder autorisierten Dienstleistern durchgeführt werden.

SICHERHEITSHINWEISE FÜR DEN RASENMÄHER

- a) **Verwenden Sie den Rasenmäher nicht beim schlechten Wetter, insbesondere bei Blitzgefahr.** Dadurch verringert sich das Risiko, vom Blitz getroffen zu werden.
- b) **Untersuchen Sie den Bereich, in dem der Rasenmäher eingesetzt werden soll, gründlich auf Wildtiere.** Wildtiere können

während des Betriebs des Rasenmähers verletzt werden.

- c) **Untersuchen Sie sorgfältig den Bereich, in dem der Rasenmäher verwendet werden soll, und beseitigen Sie alle Steine, Stöcke, Drähte, Knochen und andere Fremdgegenstände.** Herumgeschleuderte Gegenstände können zu Körperverletzungen führen.
- d) **Überprüfen Sie vor der Verwendung das Mähmesser und die Messerbaugruppe, um sicherzustellen, dass sie nicht abgenutzt oder beschädigt sind.** Abgenutzte oder beschädigte Teile erhöhen das Verletzungsrisiko.
- e) **Überprüfen Sie den Grasfänger regelmäßig auf Verschleiß oder Beschädigung.** Ein abgenutzter oder beschädigter Grasfänger kann das Verletzungsrisiko erhöhen.
- f) **Lassen Sie die Schutzvorrichtungen an ihrem Platz. Die Schutzvorrichtungen müssen ordnungsgemäß funktionieren und korrekt montiert sein.** Eine lockere, beschädigte oder nicht ordnungsgemäß funktionierende Schutzvorrichtung kann zu Körperverletzungen führen.
- g) **Halten Sie alle Kühllufteinlässe sauber.** Blockierte Luftpfeile und Schmutzpartikel können zu Überhitzung oder Brandgefahr führen.
- D h) **Tragen Sie beim Betrieb des Rasenmähers immer rutschfeste und schützende Schuhe. Benutzen Sie den Rasenmäher nicht barfuß oder mit offenen Sandalen.** Dadurch wird das Verletzungsrisiko der Füße durch den Kontakt mit der sich bewegenden Klinge verringert.
- i) **Tragen Sie bei der Bedienung des Gerätes immer lange Hosen.** Unbedeckte Haut erhöht die Wahrscheinlichkeit von Verletzungen durch weggeschleuderte Gegenstände.
- j) **Benutzen Sie den Rasenmäher nicht bei nassem Gras. Gehen Sie, bitte niemals rennen.** Dadurch wird die Gefahr von Ausrutschen und Stürzen, die zu Verletzungen führen können, verringert.
- k) **Benutzen Sie den Rasenmäher nicht an übermäßig steilen Hängen.** Dies verringert das Risiko von Kontrollverlust, Ausrutschen und Stürzen, die zu Verletzungen führen können.
- l) **Achten Sie bei der Arbeit an Hängen immer auf einen sicheren Stand, arbeiten Sie immer quer über Hänge, niemals bergauf oder bergab, und seien Sie vorsichtig bei Richtungsänderung.** Dies verringert das Risiko von Kontrollverlust, Ausrutschen und Stürzen, die zu Verletzungen führen können.
- m) **Seien Sie vorsichtig, wenn Sie den Rasenmäher rückwärts bewegen oder zu sich heranziehen. Achten Sie immer auf Ihre Umgebung.** Dadurch wird die Stolpergefahr während des Betriebs reduziert.
- n) **Berühren Sie keine Klingen und andere gefährliche Teile, während sie noch in Bewegung sind.** Dadurch wird die Verletzungsfahr durch sich bewegende Teile

verringert.

- o) **Achten Sie beim Entfernen von eingeklemmtem Material oder beim Reinigen des Rasenmähers darauf, dass alle Netzschalter ausgeschaltet und der Akku entfernt ist.** Unerwarteter Betrieb des Rasenmähers kann zu schweren Verletzungen führen.

BATTERIESICHERHEIT SICHERHEIT HINWEISE FÜR AKKUPACK


- a) **Zellen bzw. Akkupack nicht zerlegen, öffnen oder mutwillig zerstören.**
- b) **Akkupack nicht kurzschließen. Akkupacks nicht wahllos in einer Schachtel oder Schublade aufbewahren, wo sie einander kurzschließen oder durch andere leitfähige Materialien kurzgeschlossen werden könnten.** Bei Nichtverwendung des Akkupacks ist dieses von Metallgegenständen fernzuhalten, wie etwa Büroklammern, Münzen, Nägeln, Schrauben oder anderen kleinen Metallgegenständen, wo sich die Batterieklemmen berühren könnten. Das Kurzschließen der Batterieklemmen kann Verbrennungen bzw. einen Brand verursachen.
- c) **Zellen bzw. Akkupacks keiner Hitze oder Feuer aussetzen. Lagerung in direktem Sonnenlicht vermeiden.**
- d) **Akkupack nicht mechanischen Stößen aussetzen.**
- e) **Im Fall, dass Flüssigkeit aus dem Akku austritt, darf diese nicht in Kontakt mit der Haut oder den Augen kommen. Sollte dies dennoch geschehen, den betroffenen Bereich sofort mit genug Wasser spülen und einen Arzt aufsuchen.**
- f) **Akkupack sauber und trocken halten.**
- g) **Sollten die Klemmen des Akkupacks schmutzig werden, diese mit einem sauberen, trockenen Tuch abwischen.**
- h) **Akkupack muss vor Gebrauch aufgeladen werden. Beachten Sie die Gebrauchsanweisungen des Ladegerätes.**
- i) **Akkupack bei Nichtverwendung nicht im Ladegerät aufbewahren.**
- j) **Nach längerer Lagerung Lagerung des Akkus ist es eventuell notwendig den Akkupack mehrere Male aufzuladen und zu entladen, um eine optimale Leistung zu erhalten.**
- k) **Nur mit dem von Kress gekennzeichneten Ladegerät aufladen. Kein Ladegerät verwenden, das nicht ausdrücklich für den Gebrauch mit dem Gerät vorgesehen ist.**
- l) **Kein Akkupack verwenden, das nicht für den Gebrauch mit dem Gerät vorgesehen ist.**
- m) **Akkupacks von Kindern fernhalten.**
- n) **Die originalen Produktunterlagen zum späteren Nachschlagen aufbewahren.**
- o) **Den Akku bei Nichtverwendung aus dem Gerät nehmen.**












- p) Ordnungsgemäß entsorgen.
- q) Verwenden Sie keine Akkupacks anderer Hersteller, Größe oder Typen.
- r) Halten Sie den Akku von Mikrowellen und hohem Druck fern.
- s) Achtung! Verwenden Sie keine Einwegbatterien.

BEDIENUNGSANLEITUNG FÜR AKKUBETRIEBENE GERÄTE

- a) Der Betrieb dieses Geräts unterliegt den folgenden zwei Bedingungen:
 - (1) Dieses Gerät darf keine schädlichen Interferenzen verursachen und
 - (2) Dieses Gerät muss störsignalfest sein, einschließlich der Störungen, die einen unerwünschten Betrieb verursachen können.
- b) Achtung: Änderungen oder Modifikationen an diesem Gerät, die nicht ausdrücklich von der für die Einhaltung der Vorschriften verantwortlichen Partei genehmigt wurden, können dazu führen, dass der Benutzer die Berechtigung zum Betrieb des Geräts verliert.
- c) HINWEIS: Dieses Gerät verursacht und verwendet Hochfrequenzenergie und kann diese ausstrahlen. Falls es nicht entsprechend den Anweisungen installiert und verwendet wird, kann es störende Interferenzen beim Funkverkehr hervorrufen. Es gibt jedoch keine Garantie, dass in einer bestimmten Installation keine Störungen auftreten. Falls dieses Gerät Störungen des Radio- oder Fernsehempfangs verursacht, was durch Ein- und Ausschalten des Geräts festgestellt werden kann, sollte der Nutzer versuchen, die Störungen durch eine oder mehrere der folgenden Maßnahmen zu beheben:
 - Richten Sie die Empfangsantenne neu aus oder verlegen Sie sie.
 - Vergrößern Sie den Abstand zwischen dem Gerät und dem Empfänger.
 - Schließen Sie das Gerät an einen anderen Stromkreis an als den, an den der Empfänger angeschlossen ist.
 - Wenden Sie sich an den Händler oder einen erfahrenen und geschulten Radio/TV-Fachmann, um Hilfe zu bekommen.

SYMBOLE

	Zur Reduzierung der Verletzungsgefahr bitte die Bedienungsanleitung durchlesen
---	--

	WARNUNG
	ACHTUNG – Achten Sie auf weggeschleuderte Gegenstände - halten Sie Unbeteiligte fern
	ACHTUNG – Halten Sie Hände und Füße weg von den Mähmessern
	ACHTUNG – Vor der Wartung ist der Akku abzuklemmen
	Die Messer drehen sich nach dem Ausschalten der Maschine weiter. Warten Sie, bis alle Teile der Maschine vollkommen zur Ruhe gekommen sind, ehe Sie etwas anfassen.
	Schutzhandschuhe tragen.
	Entfernen Sie den Akku aus der Halterung, bevor Sie Einstellungen, Service- oder Wartungsarbeiten durchführen.
	Wenn die Akkus unsachgemäß behandelt wird, kann sie in den Wasserkreislauf gelangen und das Ökosystem schädigen. Entsorgen Sie verbrauchte Akkus nicht über den Hausmüll.
	Nicht verbrennen
	Schnelle Geschwindigkeit
	Langsame Geschwindigkeit

D



Li-Ion

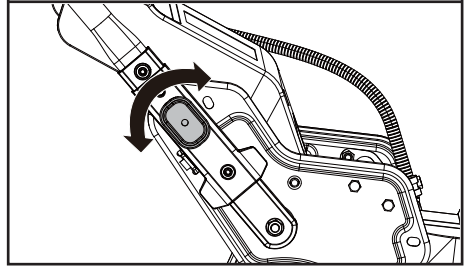


Lithium-Ionen-Akku: Dieses Produkt wurde mit einem Symbol markiert, das sich auf die 'gesonderte Sammlung' aller Akkupacks und Akkus bezieht. Es wird anschließend recycelt oder demontiert, um die Beeinträchtigung der Umwelt zu verringern. Akkupacks können die Umwelt und menschliche Gesundheit beeinträchtigen, da diese schädliche Substanzen enthalten.



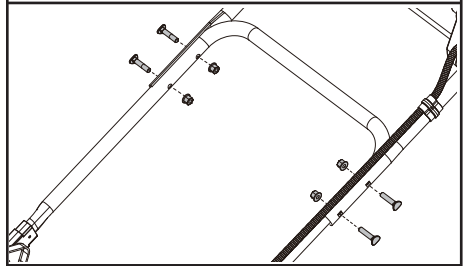
Elektroprodukte dürfen nicht mit dem normalen Haushaltsmüll entsorgt werden, sondern sollten nach Möglichkeit zu einer Recyclingstelle gebracht werden. Ihre zuständigen Behörden oder Ihr Fachhändler geben Ihnen hierzu gerne Auskunft.

A2



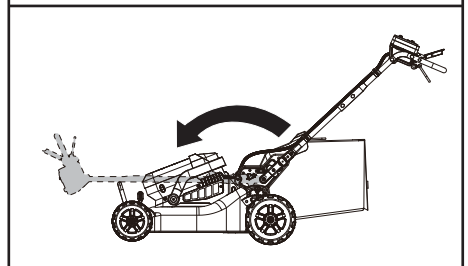
Montage des oberen Griffs (siehe Abb. A3)

A3



HINWEIS: Die Griffe können für den Transport oder die Lagerung außerhalb der Saison hochgeklappt werden (siehe Abb. A4).

A4



MONTAGE UND BEDIENUNG

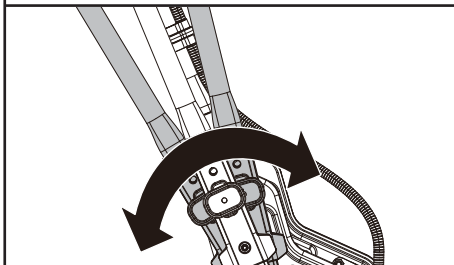
HINWEIS: Lesen Sie vor Gebrauch des Gerätes die Bedienungsanleitung sorgfältig durch.

! VOR DEM BETRIEB

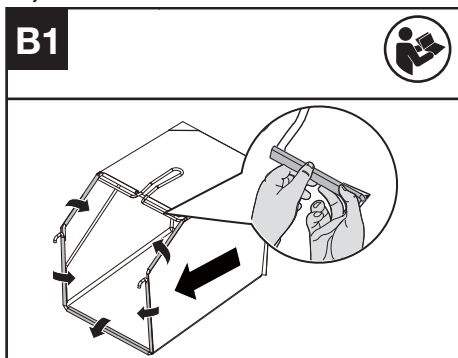
Einstellen der Griffhöhe und Montage der unteren Griffe. (siehe Abb. A1, A2)

Es können 3 Höhenstufen gewählt werden. Wählen Sie die entsprechende Höhe und drehen Sie den Höheneinstellknopf.

A1



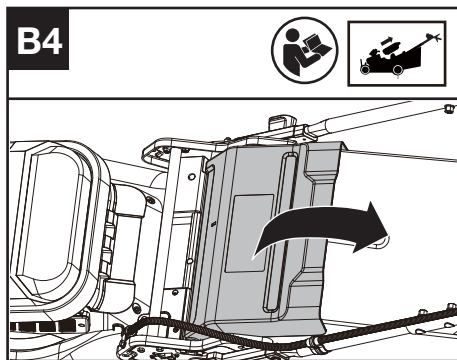
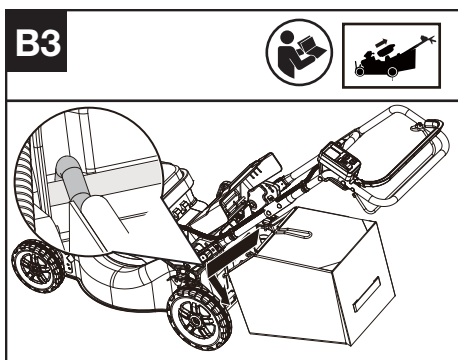
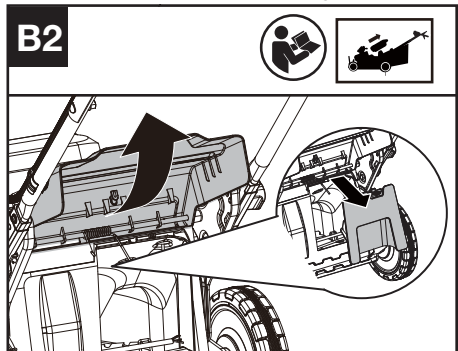
Montage des Grasfangkorbs (siehe Abb. B1)



Montage des Grasfangkorbs am Rasenmäher (See Fig. B2,B3,B4)

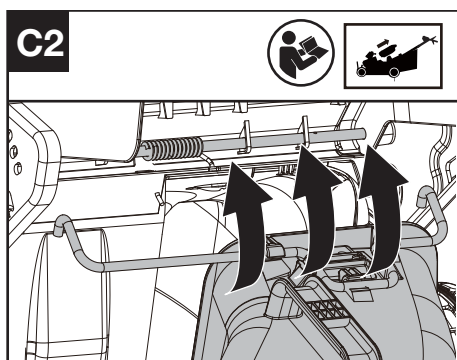
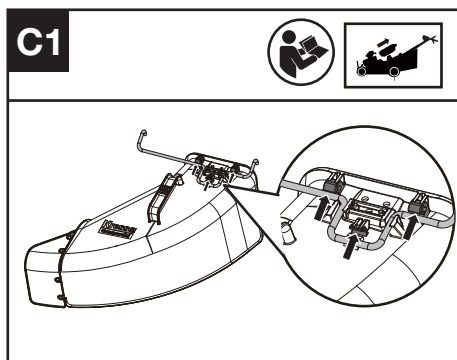
HINWEIS: Drücken Sie den Grasfangkorb leicht an, um sicherzustellen, dass er vollständig eingesetzt ist.

HINWEIS: Nehmen Sie den Mulchstopfen aus dem Rasenmäher, bevor Sie den Grasfangkorb einsetzen.



Montage des seitlichen Auswurfkanals am Rasenmäher (siehe Abb. C1,C2)

HINWEIS: Nehmen Sie den Mulcheinsatz aus dem Rasenmäher und entfernen Sie den Grasfangsack, bevor Sie den seitlichen Auswurfkanal montieren.

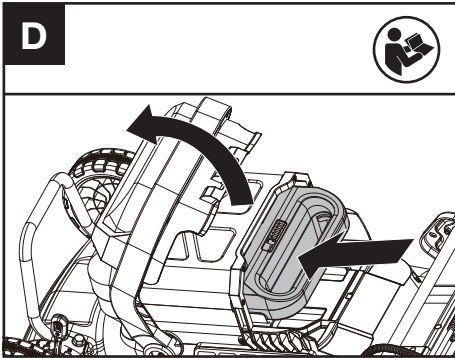


Überprüfen des Ladezustands des Akkus und Aufladen des Akkupacks.

HINWEIS: Die Akkus werden ungeladen geliefert. Der Akku muss vor dem ersten Mähen vollständig aufgeladen werden. Weitere Einzelheiten finden Sie in der Anleitung von Akku und Ladegerät.

D

Einsetzen/Entfernen des Akkus (siehe Abb. D)



Überprüfen der Bedienelemente

1. Nehmen Sie den Akku heraus.
2. Versuchen Sie, den Ein/Aus-Schalter, die Starttaste für das Mähmesser oder den Regler für die Mähgeschwindigkeit zu drücken. Wenn der Ein-/Aus-Schalter, die Starttaste für das Mähmesser oder der Regler für die Mähgeschwindigkeit klemmt und nicht in seine ursprüngliche Position zurückspringt, stellen Sie den Betrieb des Rasenmähers ein und wenden Sie sich an den Kundendienst.
3. Versuchen Sie, den Bedienungsbügel oder den Einschaltbügel für den Eigenantrieb zu ziehen und zu lösen. Wenn der Betätigungsbügel oder der Einschaltbügel für den Eigenantrieb klemmt und nicht in seine ursprüngliche Position zurückspringen kann, stellen Sie den Betrieb des Rasenmähers ein und wenden Sie sich an den Kundendienst.
4. Drehen Sie die Geschwindigkeitssteuerung für den Eigenantrieb. Wenn die Geschwindigkeitssteuerung für den Eigenantrieb klemmt, stellen Sie den Betrieb des Rasenmähers ein und wenden Sie sich an den Kundendienst.

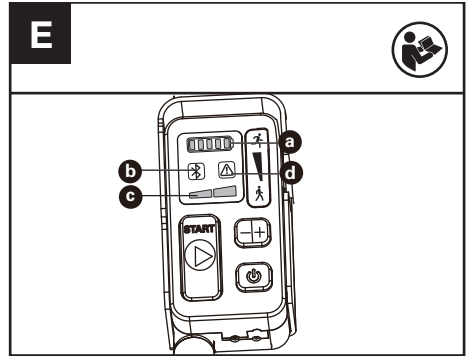
Prüfen der Anzeige (siehe Abb. E)

1. Setzen Sie den Akku ein.
2. Halten Sie den Ein/Aus-Schalter gedrückt, bis die Akkuanzeige (a) und die Schnittgeschwindigkeitsanzeige (c) aufleuchten.
3. Drücken Sie die Starttaste für das Mähmesser und ziehen Sie den Bedienbügel, um die Maschine zu starten.
4. Sollte die Warnanzeige (d) blinken, finden Sie im Abschnitt **Störungsbehebung** geeignete Abhilfemaßnahmen.
5. Lassen Sie den Bedienbügel los. Das Mähmesser hört nach einer kurzen Verzögerung auf zu rotieren. Wenn der Rasenmäher nicht zum Stillstand kommt, nehmen Sie den Akku heraus und wenden Sie sich an den Kundendienst.

LED-Anzeigen

- a. AKKU-ANZEIGE
- b. BLUETOOTH-ANZEIGE
- c. MÄHGESCHWINDIGKEITSANZEIGE
- d. WARNANZEIGE

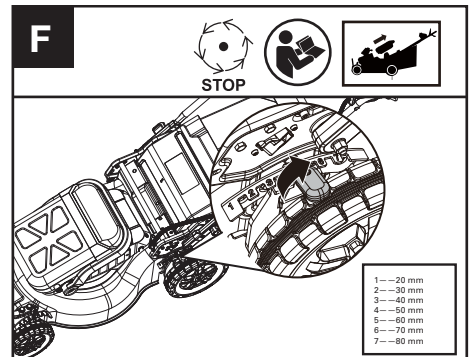
HINWEIS: Die Warnanzeige blinkt rot oder gelb, wenn das Gerät eine Störung aufweist. Wenn das rote Licht blinkt, wenden Sie sich bitte an Ihren Händler. Wenn das gelbe Licht blinkt, schalten Sie das Gerät aus, nehmen Sie den Akku heraus, setzen Sie den Akku wieder ein und schalten Sie das Gerät ein. Wenn das gelbe Licht weiterhin blinkt, wenden Sie sich bitte an Ihren Händler.



Einstellen der Schnitthöhe (siehe Abb. F)

Stellen Sie die Schnitthöhe mit den Hebeln für die Schnitthöheneinstellung am Vorder- und Hinterrad ein.

HINWEIS: Achten Sie darauf, dass die Vorder- und Hinterräder beim Einstellen der Höhe in der gleichen Position bleiben.



! WARNUNG! Halten Sie an, lassen Sie den Bedienungsbügel los und warten Sie, bis der Motor anhält, bevor Sie die Höhe einstellen. Die Klingen drehen sich weiter, nachdem die Maschine ausgeschaltet wurde. Drehende Klingen können Verletzungen verursachen. Berühren Sie niemals rotierende Klingen!

BEDIENUNG

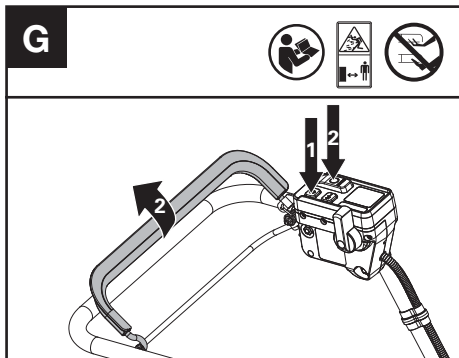
Starten und Stoppen des Rasenmähers (siehe Abb. G)

1. Drücken Sie den Ein/Aus-Schalter
2. Drücken Sie die Starttaste für das Schneidmesser (gedrückt halten) und ziehen Sie den Bedienbügel, um das Gerät zu starten.
3. Lassen Sie den Bedienbügel los, um anzuhalten.

! **WARNUNG!** Das Mähmesser dreht sich nach dem Ausschalten des Rasenmähers weiter. Warten Sie, bis es vollständig zum Stillstand gekommen ist.

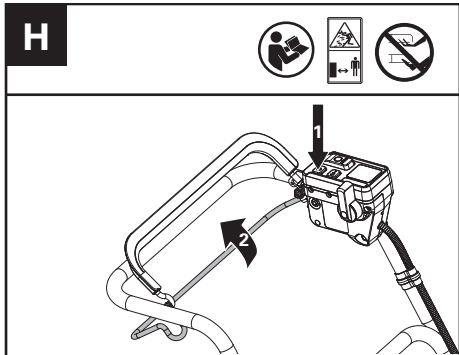
HINWEIS: Zum Starten drücken Sie die Starttaste des Mähmessers und ziehen gleichzeitig den Bedienbügel.

HINWEIS: Halten Sie den Ein/Aus-Schalter gedrückt und die Anzeige leuchtet auf. Die Anzeige schaltet sich automatisch aus, wenn innerhalb von 60 Sekunden keine Bedienung erfolgt.

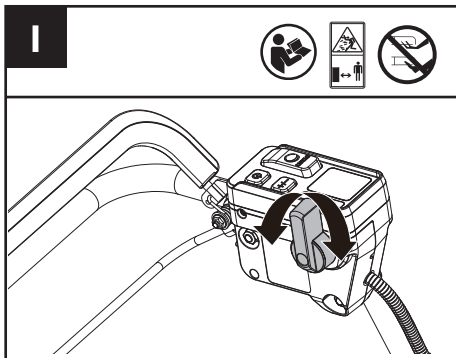


Bedienung des Eigenantriebs-System (siehe Abb. H)

1. Drücken Sie den Ein/Aus-Schalter
2. Ziehen Sie den Einschaltbügel für den Eigenantrieb, um das Eigenantriebs-System zu starten.
3. Lassen Sie den Einschaltbügel für den Eigenantrieb los, um anzuhalten.

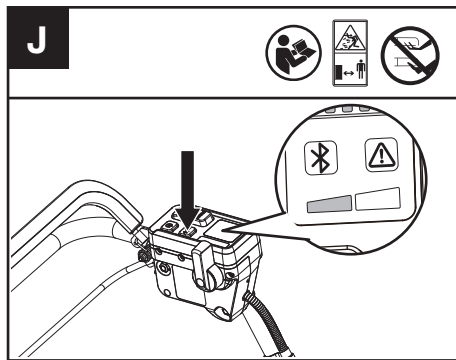


Wählen Sie Geschwindigkeitssteuerung für den Eigenantrieb (siehe Abb. I)



Auswahl der Schnittgeschwindigkeit (siehe Abb. J)

Je nach Anwendung können 2 Schnittgeschwindigkeitsstufen gewählt werden. Verwenden Sie die Tasten +/-, um die Geschwindigkeit zu steuern, die mittels der LED-Anzeigen angezeigt wird. Je höher die Schnittgeschwindigkeitsstufe, desto schneller läuft das Gerät.



TIPPS ZUM MULCHEN

Ihr neuer Rasenmäher ist so entworfen, dass er beim Mulchen das abgeschnittene Gras in kleine Stücke schneidet und es wieder auf den Rasen verteilt. Unter normalen Umständen wird das gemulchte Gras rasch biologisch abgebaut und liefert so dem Rasen neue Nährstoffe.

Lesen Sie sich die folgenden Empfehlungen für eine optimale Mulchleistung durch.

- 1) Vermeiden Sie das Mähen, wenn das Gras durch Regen oder Tau nass ist. Nasses Gras kann Klumpen bilden, die den Mulchvorgang behindern und die Laufzeit verkürzen.
- 2) Für eine optimale Mulchleistung sollten Sie die Schnitthöhe so einstellen, dass Sie ungefähr ein Drittel der Länge der Halmhöhe abschneiden.

Idealerweise nicht mehr als 40mm auf einmal. Wenn der Rasen überwuchert ist, dann kann es notwendig sein, die Schnitthöhe zu reduzieren, um den Aufwand beim Schieben zu verringern und eine Überlastung des Motors zu verhindern. Bei extrem schwerem Mulchen ist es ratsam, erst auf hoher Schnitthöhe zu schneiden und dann noch einmal auf endgültiger Schnitthöhe zu schneiden. Oder Sie können engere Schnitte machen und langsam mähen.

- 3) Für eine optimale Leistung halten Sie das Gehäuse des Rasenmähers frei von angehäuftem Gras. Schalten Sie den Rasenmäher von Zeit zu Zeit aus und warten Sie, bis die Mähmesser vollständig zum Stillstand gekommen sind. Nehmen Sie dann die Akkus heraus und drehen Sie den Rasenmäher auf die Seite. Entfernen Sie mit einem Gegenstand, z. B. einem Stock, alle Grasansammlungen im Bereich des Mähmessers. Achten Sie dabei auf die scharfen Kanten des Mähmessers. Reinigen Sie den Bereich des Mähmessers häufig, wenn Sie nasses oder neues Gras mähen, und jedes Mal, wenn das Gerät benutzt wird.
- 4) Einige Arten von Gras oder Zustände von Gras können es notwendig machen, dass eine Stelle ein zweites Mal gemulcht werden muss, um das Gras komplett über den Rasen zu verteilen. Wenn Sie ein zweites Mal schneiden, dann ist es ratsam, rechtwinklig zum ersten Schnittmuster zu schneiden. **WECHSELN SIE DAS SCHNITTMUSTER NIEMALS SO; DASS SIE DEN ABHANG EINES HÜGELS HINAUF- ODER HINABMÄHEN!**
- 5) Wechseln Sie das Schnittmuster wöchentlich. Dies verhindert Vermattung und Körnung Ihres Rasens.
- 6) Mähen Sie nicht an einem Hang, der einen Winkel von mehr als 18° aufweist.

SCHNEIDEBEREICH

Der Schneidebereich kann durch mehrere Faktoren beeinträchtigt werden, beispielsweise durch die Schnitthöhe, die Feuchtigkeit des Rasens, die Graslänge und -dichte. Außerdem wird durch zu häufiges Starten und Anhalten des Rasenmähers im laufenden Betrieb der Schneidebereich verkleinert.

TIPPS:

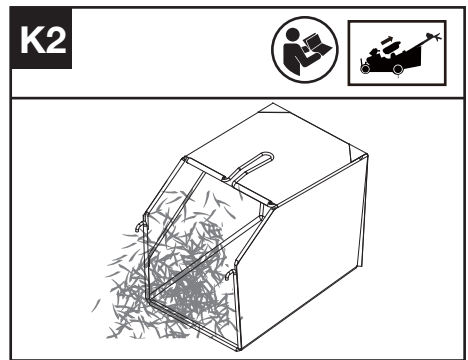
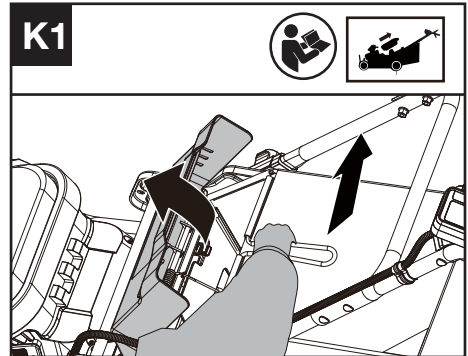
- 1) Es empfiehlt sich, dass Sie Ihren Rasen häufiger mähen, mit normaler Geschwindigkeit laufen, und den Mäher während des Betriebs nicht zu oft starten bzw. anhalten.
- 2) Um die beste Leistung zu erzielen, vergewissern Sie sich, dass der Akku voll aufgeladen ist, und schneiden Sie immer 1/3 oder weniger der Grashöhe ab. Es wird empfohlen, vor Beginn der Mähseason ein neues Mähmesser einzusetzen.
- 3) Gehen Sie beim Mähen von langem Gras langsam, damit das Schneiden effektiver durchgeführt und das Schnittgut ordnungsgemäß ausgeworfen werden kann.
- 4) Vermeiden Sie das Schneiden von nassem Gras;

andererseits wird dieses auf der Unterseite des Mähwerks haften und Schnittgut kann nicht gesammelt bzw. ordnungsgemäß ausgeworfen werden.

- 5) Bei frischem oder dickem Gras sollte eine höhere Schnitthöhe eingesetzt werden, die zudem die Lebensdauer der Batterie verlängert.

Entfernen/Entleeren des Grasfangkorbs (siehe Abb. K1, K2)

! WARNUNG! Vergewissern Sie sich vor der Benutzung immer, dass die Sicherheitsklappe den Auslass verschließt. Heben Sie niemals die Sicherheitsklappe an oder entfernen Sie den Mulchstopfen, wenn der Rasenmäher ohne eingesetzten Grasfangkorb betrieben wird.



Bei Akkuwerkzeugen

Die optimale Betriebstemperatur beträgt -20 °C ~ 45 °C (-4 °F ~ 113 °F).

Der empfohlene Umgebungstemperaturbereich für die Ladestation liegt zwischen -5 °C~45 °C (23 °F~113 °F).

Details zur sicheren Entsorgung von gebrauchten Batterien:

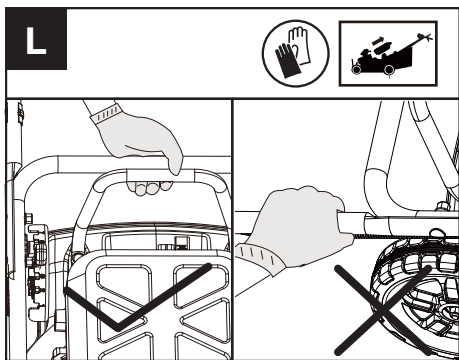
Entnehmen Sie am Ende der Lebensdauer des Geräts den Akkupack ordnungsgemäß, bevor Sie das Gerät entsorgen. Werfen Sie Batterien nicht weg und werfen

Sie diese nicht in den normalen Hausmüll. Entsorgen Sie die Batterie auch nicht zusammen mit dem Gerät. Entfernen Sie den gebrauchten Akkupack vom Gerät und entsorgen Sie ihn in der nächstgelegenen oder bequem erreichbaren spezialisierten Recyclinganlage. Bei Zweifeln konsultieren Sie Ihre örtliche Umweltschutzbehörde. Batterien können in den Wasserkreislauf gelangen, wenn sie unsachgemäß entsorgt werden, was für das Ökosystem gefährlich sein kann. Entsorgen Sie Abfallbatterien nicht als unsortierten Hausmüll.

TRANSPORT

Transportieren des Rasenmähers

1. Schalten Sie den Mäher aus und nehmen Sie den Akku heraus.
2. Wenn Sie Ihren Rasenmäher transportieren, kann der Eigenantrieb verwendet werden, ohne dass das Mähmesser in Betrieb ist. Wenn die Maschine im zusammengeklappten Zustand anheben, greifen Sie den Motorschutz, nicht die Griffe. (Siehe Abb. L)



Transportieren des Akkupacks

1. Stellen Sie sicher, dass sich das Akkupack in einem für den Transport sicheren Zustand befindet.
2. Ist dies der Fall, verpacken Sie das Akkupack mit einem nicht leitenden Verpackungsmaterial.
3. Die in dem Akkupack enthaltenen Lithium-Ionen-Akkuzellen unterliegen den für Gefährgut geltenden Gesetzen und Rechtsvorschriften. Transportieren Sie Akkupacks nur, wenn deren Gehäuse keinerlei Beschädigungen aufweisen. Verpacken Sie die Akkupacks stets so, dass sie sich in der Verpackung nicht bewegen können.

WARTUNG



WARNUNG! Halten Sie den Rasenmäher an und nehmen Sie den Akku heraus, bevor Sie den Grasfangkorb herausnehmen.

HINWEIS: Folgende Wartungsarbeiten sind

regelmäßig auszuführen, um den zuverlässigen und sicheren Betrieb zu gewährleisten. Den Rasenmäher auf offensichtliche Defekte wie z. B. ein lockeres, verstelltes oder beschädigtes Messer, lose Befestigungs- oder Zubehörteile und verschlissene oder beschädigte Komponenten. Die Abdeckungen und Schutzbleche müssen in einwandfreiem Zustand und richtig angebracht sein. Vor dem Betrieb des Rasenmähers die notwendigen Wartungs- und Reparaturarbeiten durchführen. Sollte der Rasenmäher trotz regelmäßiger Wartung ausfallen, Bitte rufen Sie den Kundendienst für eine Beratung an.

MESSERSCHÄRFEN

HALTEN SIE DAS MÄHMESSE SCHARF, UM DIE BESTE MÄHLEISTUNG ZU ERZIELEN. EIN STUMPFES MÄHMESSE R SCHNEIDET GRAS NICHT SAUBER UND MULCHT NICHT RICHTIG. TRAGEN SIE BEIM ENTFERNEN, SCHÄRFEN UND EINSETZEN DES MÄHMESSE RS EINEN AUGENSCHUTZ UND SCHNITTSCHUTZHANDSCHUHE.

HINWEIS: Schärfen oder Auswechseln des Mähmessers nach jeweils 50 Stunden. Sand lässt das Mähmesser schnell stumpf werden. Wenn Ihr Rasen einen sandigen Boden hat, kann ein häufigeres Schärfen oder Auswechseln erforderlich sein.

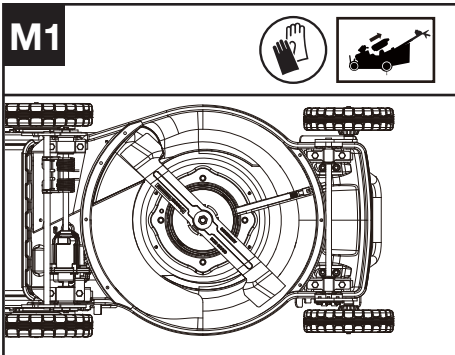
VERBOGENE ODER BESCHÄDIGTE MÄHMESSE R S OFORT ERSETZEN.

BEIM SCHÄRFEN DES MÄHMESSE RS

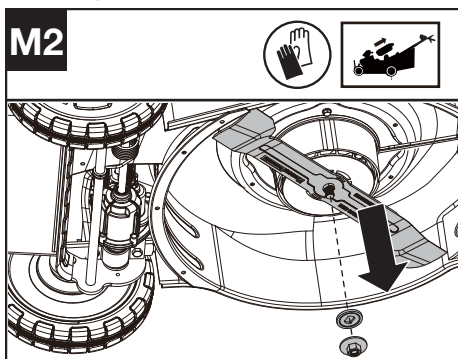
1. Verwenden Sie einen Holzklötz, um ein Drehen des Mähmessers zu verhindern.
2. Entfernen Sie mit einer Stecknuss und einem Schraubenschlüssel den Mähmesserbolzen und dann das Mähmesser (Siehe Abschnitt zum Entfernen des Mähmessers).
3. Spannen Sie das Mähmesser in einen Schraubstock oder ähnliches ein, um zu verhindern, dass es sich während des Schärfens bewegt.
4. Schärfen Sie die Schneiden an beiden Enden des Mähmessers. Achten Sie darauf, dass an beiden Enden gleich viel Material entfernt wird, damit das Mähmesser ausgewuchtet bleibt.
5. Prüfen Sie die Auswuchtung des Mähmessers (Siehe Abschnitt zum Auswuchten des Mähmessers).
6. Setzen Sie das Mähmesser in umgekehrter Reihenfolge der Demontage wieder ein.
7. Stellen Sie sicher, dass Sie den Mähmesserbolzen mit dem erforderlichen Drehmoment (25 Nm) anziehen.

HINWEIS:

1. Stellen Sie sicher, dass der Rasenmäher ausgeschaltet ist und nehmen Sie den Akku heraus.
2. Kippen Sie den Rasenmäher auf die Seite, wie in Abbildung M gezeigt

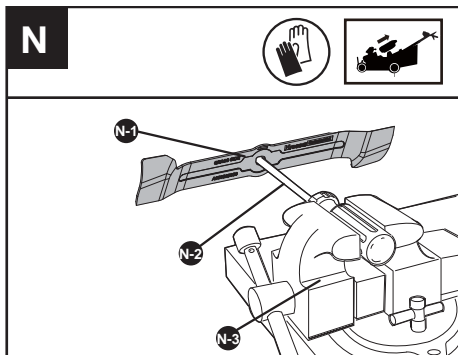


ENTFERNEN DES MÄHMESSERS (SIEHE ABB. M2)



AUSBALANCIEREN DER KLINGE (SIEHE ABB. N)

Überprüfen Sie die Balance der Klinge dadurch, dass Sie das zentrale Loch in der Klinge N-1 auf einen Schraubenzieher-Schaft N-2 platzieren, der horizontal im Schraubstock N-3 eingeklemmt ist. Wenn eines der beiden Enden der Klinge nach unten hin rotiert, müssen Sie dieses Ende weiter feilen. Die Klinge ist ordentlich ausbalanciert, wenn keines der beiden Enden nach unten hängt.



ERSETZEN DES MÄHMESSERS

- Es wird empfohlen, die Mähmesser je nach Arbeitsbedingungen auszutauschen, um eine bessere Nutzung zu ermöglichen.

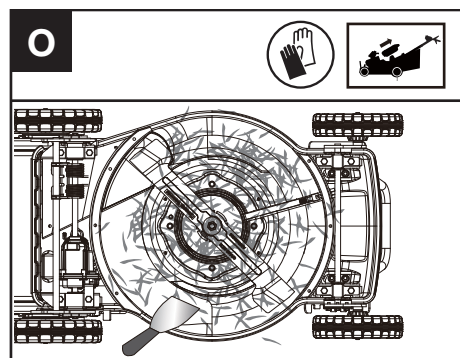
Mähmesser	FUNKTION
Mähmesser mit hohem Hub	Empfohlen für Absackarbeiten
Gator-Mähmesser	Empfohlen zum Mulchen

REINIGUNG

1. Halten Sie den Rasenmäher an und nehmen Sie den Akku heraus.
2. Verwenden Sie keine aggressiven Reinigungs- oder Lösungsmittel. Reinigen Sie das Gerät nach jedem Gebrauch mit einem Tuch, das Sie zuvor mit einem ph-neutralen Reinigungsmittel angefeuchtet haben.
3. Halten Sie den Steckplatz frei von Fremdkörpern und reinigen Sie ihn mit einer weichen, trockenen Bürste oder einem Tuch.
4. Sprühen Sie kein Wasser auf den Motor und die elektrischen Komponenten.
5. Verwenden Sie zur Reinigung Ihres Geräts unter keinen Umständen einen Hochdruckreiniger.

Reinigung der Deck und des Bereichs des Mähmessers (siehe Abb. O)

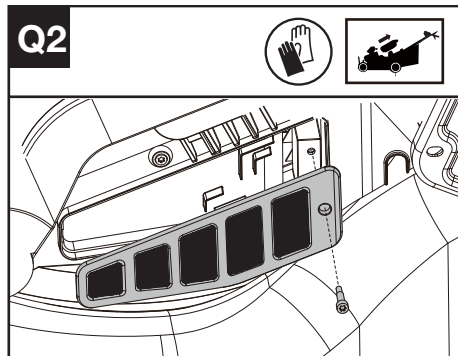
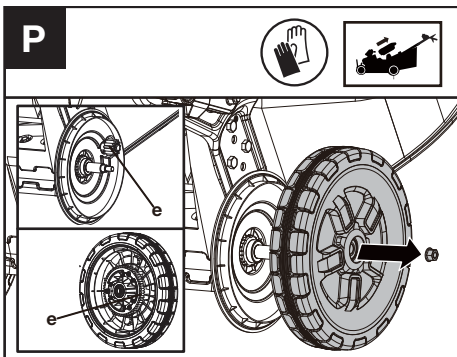
Reinigen Sie die Deck und den Messerbereich von Grasschnitt und Ablagerungen. Wenn Grasschnitt im Bereich des Mähmessers verdichtet ist, entfernen Sie ihn mit einem Holz- oder Kunststoffwerkzeug.



Reinigung der Räder (siehe Abb. P)

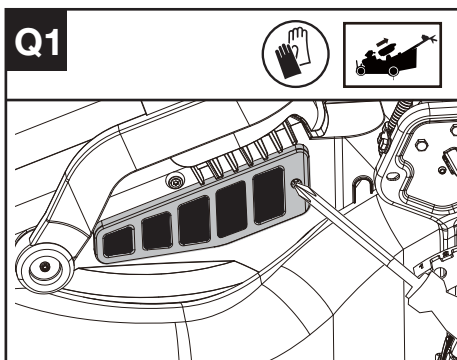
- Halten Sie den Rasenmäher an und nehmen Sie den Akku heraus.
- Reinigen Sie die Räder alle 50 Stunden oder bei extremen Bedingungen häufiger.
- Entfernen Sie die Hinterräder und säubern Sie den Bereich zwischen den Rädern von Grasresten und Schmutz.
- Es wird empfohlen, nach der Reinigung eine kleine

Menge Anti-Seize-Mittel auf die Zahnräder(e) aufzutragen.



Reinigen des Luftfilters (Siehe Abb. Q1, Q2)

1. Reinigen Sie den Bereich um den Luftfilter. Verwenden Sie dazu ein feuchtes Tuch oder eine weiche Bürste.
2. Lösen Sie dann die Schrauben der Abdeckung und nehmen Sie den Luftfilter heraus.
3. Spülen Sie nun den Luftfilter unter fließendem Wasser aus, bis sich kein Schmutz mehr darin befindet.
4. Lassen Sie den Luftfilter anschließend an der Luft trocknen. Bringen Sie ihn zu guter Letzt wieder in dem Gehäuse unter und ziehen Sie die Schraube der Abdeckung fest.



AUFBEWAHRUNG

1. Halten Sie den Rasenmäher an und nehmen Sie den Akku heraus.
2. Nehmen Sie anschließend eine weiche Bürste und ein sauberes Tuch zur Hand und unterziehen Sie die Außenflächen des Geräts einer gründlichen Reinigung. Verwenden Sie kein Wasser oder Poliermittel. Entfernen Sie alles Gras und alle Verunreinigungen, insbesondere aus den Lüftungsschlitzen, der Mulchplatte, dem Bereich des Mähmessers und den Rädern.
3. Bewahren Sie das Gerät an einem trockenen Ort außer Reichweite von Kindern und anderen unbefugten Personen auf. Stellen Sie keine anderen Gegenstände auf das Gerät.
4. Um die Lagerung zu erleichtern, klappen Sie die Griffstange ein.
5. Lagern Sie den Akku ausschließlich in einem Temperaturbereich zwischen +5 °C (+41 °F) und +25 °C (+77 °F). Lassen Sie den Akku zum Beispiel in der Sommerzeit nicht im Auto liegen.
6. Wenn das Gerät beim Betrieb im Regen nass geworden ist, sollten Sie es und den Akku vor dem Lagern oder Laden trocknen. Nehmen Sie den Akku heraus und setzen Sie ihn wieder ein, wenn sich das Gerät nicht einschalten lässt.

STÖRUNGSBEHEBUNG

In der folgenden Tabelle sind Probleme und Maßnahmen aufgeführt, die Sie ergreifen können, wenn Ihr Gerät nicht ordnungsgemäß funktioniert.




ACHTUNG: Schalten Sie das Gerät aus und entfernen Sie den Akku, bevor Sie eine Fehlersuche durchführen.

Problem	Abhilfemaßnahme
1. Der Mäher läuft nicht, wenn der Bedienbügel aktiviert ist.	<p>A. Vergewissern Sie sich, dass die Starttaste für das Mähmesser vollständig gedrückt ist.</p> <p>B. Lassen Sie den Bedienbügel los, um den Rasenmäher auszuschalten. Entfernen Sie den Akku, drehen Sie den Rasenmäher um und prüfen Sie, ob sich das Mähmesser frei drehen kann. Wenn dies nicht der Fall ist, bringen Sie das Gerät zu einem zugelassenen Servicetechniker. Das Mähmesser sollte sich frei drehen können.</p> <p>C. Wurde der Akku vollständig aufgeladen? Schließen Sie das Ladegerät an und warten Sie, bis die grüne Lampe aufleuchtet.</p> <p>D. Zum Starten drücken Sie sowohl die Starttaste für das Mähmesser und ziehen gleichzeitig den Bedienbügel.</p>
2. Der Motor blockiert beim Mähen.	<p>A. Lassen Sie den Bedienbügel los, um den Rasenmäher auszuschalten. Nehmen Sie den Akku heraus, drehen Sie den Rasenmäher um, um zu prüfen, ob er mit Grasresten verstopft ist, und entfernen Sie diese aus dem Rotationsbereich der Messer. Prüfen Sie dann, ob sich das Mähmesser frei drehen kann. Wenn dies nicht der Fall ist, bringen Sie das Gerät zu einem zugelassenen Servicetechniker. Das Mähmesser sollte sich frei drehen können.</p> <p>B. Stellen Sie die Schnitthöhe der Räder auf die höchste Position ein, und starten Sie den Rasenmäher.</p> <p>C. Wurde der Akku vollständig aufgeladen? Schließen Sie das Ladegerät an und warten Sie, bis die grüne LED aufleuchtet.</p> <p>D. Vermeiden Sie eine Überlastung des Rasenmähers. Vermeiden Sie eine Überlastung des Rasenmähers. Verlangsamen Sie die Schnittgeschwindigkeit, oder heben Sie die Schnitthöhe an. Oder beides</p>
3. Der Rasenmäher läuft, aber die Schneidleistung ist unbefriedigend, oder nicht den gesamten Rasen schneidet.	<p>A. Wurde der Akku vollständig aufgeladen? Schließen Sie das Ladegerät an und warten Sie, bis die grüne LED aufleuchtet.</p> <p>B. Lassen Sie den Bedienbügel los, um den Rasenmäher auszuschalten. Nehmen Sie den Akku heraus. Rasenmäher umdrehen und prüfen: Mähmesser auf Schärfe - Halten Sie das Mähmesser scharf. Mähwerk und Auswurfschacht auf Verstopfung.</p> <p>C. Die Radhöhereinstellung ist möglicherweise zu niedrig für den Rasen. Heben Sie die Schnitthöhe an.</p>
4. Der Rasenmäher lässt sich nur schwer schieben.	<p>A. Vergrößern Sie die Schnitthöhe, um den Widerstand durch das Gras zu verringern. Überprüfen Sie, ob sich die Räder frei drehen lassen.</p>
5. Der Rasenmäher ist ungewöhnlich laut und vibriert.	<p>A. Lassen Sie den Bedienbügel los, um den Rasenmäher auszuschalten. Nehmen Sie den Akku heraus. Drehen Sie den Rasenmäher auf die Seite und prüfen Sie, ob das Mähmesser nicht verbogen oder beschädigt ist. Wenn das Mähmesser beschädigt ist, ersetzen Sie es durch ein Ersatzmesser. Wenn die Unterseite des Mähwerks beschädigt ist, bringen Sie den Rasenmäher zu einem autorisierten Servicecenter.</p> <p>B. Wenn die Klinge keine sichtbaren Schäden aufweist und der Mäher immer noch vibriert: Lassen Sie den Bedienbügel los, um den Rasenmäher auszuschalten, nehmen Sie die Akkus heraus und bauen Sie das Mähmesser aus. Drehen Sie das Mähmesser um 180 Grad und ziehen Sie es wieder fest. Wenn der Rasenmäher immer noch vibriert, bringen Sie den Rasenmäher zu einem autorisierten Servicecenter.</p>

6. Ladestatus-LEDs leuchten nicht.	A. Steckverbindung prüfen. B. Tauschen Sie das Ladegerät aus.
7. Die LED des Akku-Ladegeräts schaltet nicht auf grün um.	A. Der Akku muss untersucht werden. Bringen Sie diesen zu einem autorisierten Servicezentrum.
8. Geschnittenes Gras wird vom Rasenmäher nicht im Beutel aufgesammelt.	A. Der Auswurfschacht ist verstopft. Lassen Sie den Bedienbügel los, um den Rasenmäher auszuschalten. Nehmen Sie den Akku heraus. Entfernen Sie das Schnittgut aus dem Schacht. B. Zu viel geschnittenes Gras. Erhöhen Sie die Schnitthöhe der Räder, um die Schnittlänge zu verkürzen. C. Korb voll. Leeren Sie den Korb öfter.
9. Beim Mulchen sind Ablagerungen erkennbar.	A. Es wird zu viel Gras abgeschnitten. Heben Sie die Schnitthöhe der Räder an, um die abgeschnittene Länge zu verkürzen. Schneiden Sie nicht mehr als 1/3 der Gesamtlänge. B. Prüfen Sie das Messer auf dessen Schärfe. Halten Sie das Messer stets gut geschärft. C. Reduzieren Sie die Geschwindigkeit, wenn das Gras hoch oder extrem dicht ist.
10. Niedrige oder verringerte Laufzeit nach zahlreichen Anwendungen.	A. Bringen Sie das Gerät in ein autorisiertes Servicezentrum - eventuell ist ein neuer Akku erforderlich.
11. Die Warnanzeige blinkt.	A. Schalten Sie das Gerät aus, nehmen Sie den Akku heraus, setzen Sie den Akku wieder ein und schalten Sie das Gerät ein. B. Wenden Sie sich an den Kundendienst

TECHNISCHE DATEN

Typ: **KC720 KC720.X** (720-Bezeichnung von Maschinen, entsprechend für **Verstärktes Stahlmäherwerk SP Mäher**)

	KC720 KC720.X **
Spannung	60V  Max***
Deckmaterial	Verstärkter Stahl -1.8 mm
Schnittbreite	47 cm
Max. SP Geschwindigkeit	6.4 km/h
Schnitthöhe	20-80 mm
Schnitthöhenpositionen	7
Gras-Sammelkapazität	70 L
Schutzgrad	IPX4
Betriebsdauer	70min@11Ah****
Gerätgewicht (blankes Gerät)	38 kg

** X=1-999, A-Z, M1-M9 werden nur für verschiedene Kunden verwendet, es gibt keine sicherheitsrelevanten Veränderungen zwischen diesen Modellen.

*** Spannung ohne Arbeitslast gemessen. Anfangsakkuspannung erreicht maximal 60 Volt. Nennspannung ist 54 Volt.

**** Die Laufzeit kann je nach Einsatz des Geräts und den Grasbedingungen variieren. Die gewählte Schnittgeschwindigkeitsstufe beeinflusst die Laufzeit des Akkus. Je niedriger die Schnittgeschwindigkeitsstufe, desto länger die Laufzeit.

EMPFOHLENE AKKUS UND LADEGERÄTE

Akku	Kapazität	Ladegerät	Ladestrom
KAC810	11 Ah	KAC840	30 A

Wir empfehlen Ihnen, Ihr Zubehör bei demselben Händler zu kaufen, bei dem Sie das Gerät erworben haben. Weitere Informationen finden Sie auf der Verpackung des Zubehörs. Lassen Sie sich von Ihrem Händler beraten und unterstützen.

TECHNISCHE DATEN FÜR AKKU-PACK (OPTIONAL)

Frequenzbänder für Bluetooth	2400-2483.5 MHz
Maximale Sendeleistung für Bluetooth	8 dBm

INFORMATIONEN ÜBER LÄRM

Gewichteter Schalldruck	$L_{pA} = 83.2 \text{ dB(A)}$
K_{pA}	3 dB(A)
Gewichtete Schalleistung	$L_{wA} = 95.84 \text{ dB(A)}$
K_{wA}	0.65 dB(A)

Tragen Sie einen Gehörschutz.



D

INFORMATIONEN ÜBER VIBRATIONEN

Typischer gewichteter Vibrationswert	$a_h < 2.5 \text{ m/s}^2$
Unsicherheit	$K = 1.5 \text{ m/s}^2$

⚠️ WARNUNG: Der Vibrationsemissionswert während des tatsächlichen Gebrauchs des Elektrowerkzeugs kann vom angegebenen Wert abweichen, je nachdem, wie das Werkzeug gemäß folgender Beispiele und anderweitiger Verwendungsmöglichkeiten eingesetzt wird:

Die Verwendung des Werkzeugs und die Art, wie die Materialien geschnitten oder angebohrt werden. Das Werkzeug ist in gutem Zustand und gut gepflegt.

Verwendung des richtigen Zubehörs für das Werkzeug und Gewährleistung seiner Schärfe und seines guten Zustands.

Die Festigkeit der Handgriffe und ob Antivibrationszubehör verwendet wird.

Und ob das verwendete Werkzeug dem Design und diesen Anweisungen entsprechend verwendet wird.

Wird dieses Werkzeug nicht angemessen gehandhabt, kann es ein Hand-Arm-Vibrationssyndrom erzeugen.

⚠️ WARNUNG: Um genau zu sein, sollte ein Abschätzung des Belastungsgrades aller Arbeitsabschnitte während tatsächlicher Verwendung berücksichtigt werden, z.B. die Zeiten, wenn das Werkzeug ausgeschaltet ist, und wenn es sich im Leerlauf befindet und eigentlich nicht eingesetzt wird. Auf diese Weise kann der Belastungsgrad während der gesamten Arbeitszeit wesentlich gemindert werden.

Minimieren Sie Ihr Risiko, dem Sie bei Vibrationen ausgesetzt sind.


Verwenden Sie IMMER scharfe Meißel, Bohrer und Sägeblätter.

Pflegen Sie dieses Werkzeug diesen Anweisungen entsprechend und achten Sie auf eine gute Einfettung (wo erforderlich).

Bei regelmäßiger Verwendung dieses Werkzeugs sollten Sie in Antivibrationszubehör investieren.

Machen Sie einen Arbeitsplan, um die Verwendung von hochvibrierenden Werkzeugen auf mehrere Tage zu verteilen.

UMWELTSCHUTZ

 Elektroprodukte dürfen nicht mit dem normalen Haushaltsmüll entsorgt werden, sondern sollten nach Möglichkeit zu einer Recyclingstelle gebracht werden. Ihre zuständigen Behörden oder Ihr Fachhändler geben Ihnen hierzu gerne Auskunft.

KONFORMITÄTSERKLÄRUNG

Wir,
Positec Germany GmbH
Postfach 680194, 50704 Cologne, Germany

Erklären im Namen von Positec, dass das Produkt
Beschreibung **Akku-Rasenmäher**
Typ **KC720 KC720.X (720-Bezeichnung von Maschinen, entsprechend für Verstärktes Stahlmähwerk SP Mäher)**
Funktion **Grasschnitt**

den Bestimmungen der folgenden Richtlinien entspricht:
2006/42/EC, 2014/30/EU, 2011/65/EU & (EU) 2015/863, 2000/14/EC geändert durch 2005/88/EC

2000/14/EC eändert durch 2005/88/EC:
- Konformitätsbewertungsverfahren nach **Anhang VI**
- Gemessene Schalleistung **95.84 dB (A)**
- Garantierte Schalleistung **96 dB (A)**

Zertifizierungsstelle
Name: TÜV Rheinland LGA Products GmbH
(notifizierte Stelle 0197)
Anschrift: Tillystraße 2-90431 Nürnberg

Normen,
EN 62841-1, EN IEC 62841-4-3, EN ISO 3744, EN IEC 55014-1, EN IEC 55014-2, EN IEC 63000

Zur Kompilierung der technischen Datei ermächtigte Person,

Name Marcel Filz
Anschrift Positec Germany GmbH
Postfach 680194, 50704 Cologne, Germany



2024/02/05
Allen Ding
Stellvertretender Chefindenieur, Prüfung und
Zertifizierung
Positec Technology (China) Co., Ltd
18, Dongwang Road, Suzhou Industrial
Park, Jiangsu 215123, P. R. China

SOMMAIRE

Introduction.....	40
Liste des composants.....	42
Sécurité du produit.....	43
Assemblage et fonctionnement	47
Transport.....	52
Entretien.....	52
Nettoyage.....	53
Stockage.....	54
Guide de dépannage.....	55
Caractéristiques techniques.....	56
F Protection de l'environnement.....	57
Déclaration de conformité.....	58

INTRODUCTION

Cher Client,

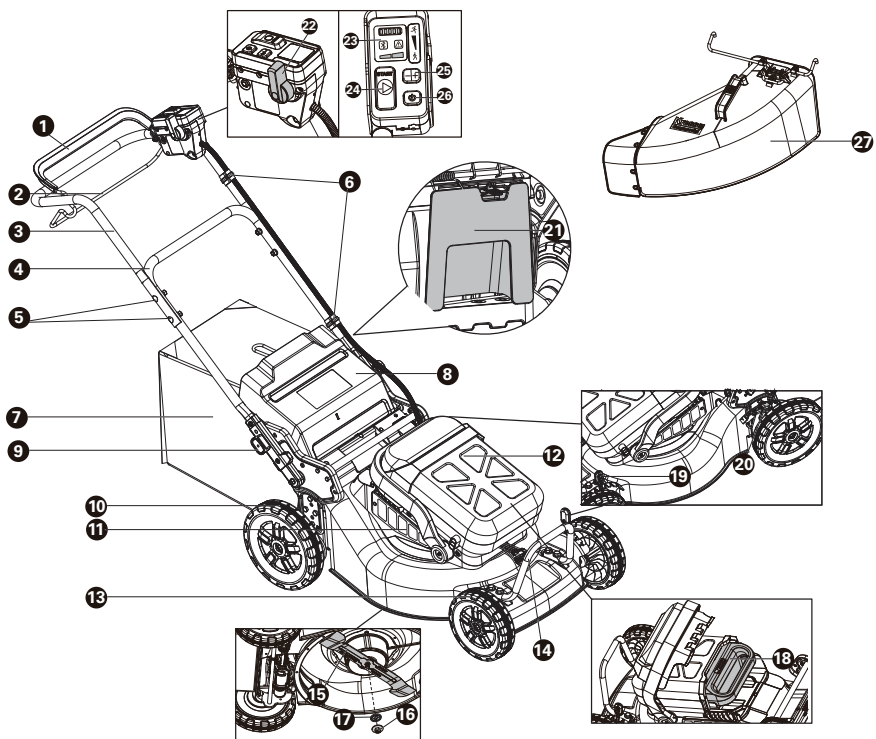
Merci d'avoir acheté ce produit de la marque Kress Commercial. Nous nous engageons à développer des produits de haute qualité pour répondre à vos exigences d'aménagement paysager.

La marque Kress est synonyme de service de qualité supérieure. Au cours des années d'utilisation de votre produit, si vous avez des questions ou des inquiétudes à son sujet, veuillez contacter votre revendeur ou notre équipe de service clientèle pour obtenir de l'aide.

Nous espérons que vous serez satisfait de votre produit de la marque Kress pour les années à venir.

UTILISATION CONFORME

Ce produit est destiné à tondre des pelouses à des fins commerciales.



LISTE DES COMPOSANTS

- | | |
|-----|--|
| 1. | COMMANDE D'ENTRAÎNEMENT (ENGAGEMENT DE LAME) |
| 2. | COMMANDE D'ACTIVATION DU SYSTÈME AUTO-TRACTÉ |
| 3. | POIGNÉE SUPÉRIEURE |
| 4. | POIGNÉE INFÉRIEURE |
| 5. | FIXATIONS DE POIGNÉE |
| 6. | SERRE-CÂBLE |
| 7. | SAC DE COLLECTE D'HERBE |
| 8. | VOLET DE SÉCURITÉ |
| 9. | BOUTON DE RÉGLAGE DE LA HAUTEUR |
| 10. | ROUE ARRIÈRE |
| 11. | FILTRE À AIR |
| 12. | COUVERCLE DU COMPARTIMENT DE LA BATTERIE |
| 13. | ROUE AVANT |
| 14. | PROTECTION DE MOTEUR |
| 15. | LAME |
| 16. | BOULON DE LAME |
| 17. | ENTRETOISE |
| F | 18. BLOC DE BATTERIE* |
| 19. | LEVIER DE RÉGLAGE DE LA HAUTEUR DE COUPE AVANT |
| 20. | LEVIER DE RÉGLAGE DE LA HAUTEUR DE COUPE ARRIÈRE |
| 21. | FICHE DE PAILLAGE |
| 22. | COMMANDE DE VITESSE AUTO-TRACTÉE |
| 23. | INDICATEURS LED |
| 24. | BOUTON DE DÉMARRAGE DE LA LAME DE COUPE |
| 25. | COMMANDE DE VITESSE DE COUPE |
| 26. | INTERRUPTEUR MARCHÉ/ARRÊT |
| 27. | GOULOTTE DE DÉCHARGE LATÉRALE* |

* Les accessoires reproduits ou décrits ne sont pas tous compris avec le modèle standard livré.

NOTICE ORIGINALE

AVERTISSEMENTS DE SÉCURITÉ

SÉCURITÉ DU PRODUIT

AVERTISSEMENTS GÉNÉRAUX DE SÉCURITÉ POUR L'OUTIL



AVERTISSEMENT! Lire l'ensemble des mises

en garde, instructions, illustrations et spécifications fourni avec cet outil électrique.

Ne pas suivre toutes les instructions énumérées ci-dessous peut conduire à une électrocution, un incendie et / ou des blessures graves.

Conserver tous les avertissements et toutes les instructions pour pouvoir s'y reporter ultérieurement.

Le terme «outil» dans les avertissements fait référence à votre outil électrique alimenté par le secteur (avec cordon d'alimentation) ou votre outil fonctionnant sur batterie (sans cordon d'alimentation).

1) Sécurité de la zone de travail

- a) **Conserver la zone de travail propre et bien éclairée.** *Les zones en désordre ou sombres sont propices aux accidents.*
- b) **Ne pas faire fonctionner les outils électriques en atmosphère explosive, par exemple en présence de liquides inflammables, de gaz ou de poussières.** *Les outils électriques produisent des étincelles qui peuvent enflammer les poussières ou les fumées.*
- c) **Maintenir les enfants et les personnes présentes à l'écart pendant l'utilisation de l'outil.** *Les distractions peuvent vous faire perdre le contrôle de l'outil.*

2) Sécurité électrique

- a) **Il faut que les fiches de l'outil électrique soient adaptées au socle. Ne jamais modifier la fiche de quelque façon que ce soit. Ne pas utiliser d'adaptateurs avec des outils à branchement de terre.** *Des fiches non modifiées et des socles adaptés réduiront le risque de choc électrique.*
- b) **Éviter tout contact du corps avec des surfaces reliées à la terre telles que les tuyaux, les radiateurs, les cuisinières et les réfrigérateurs.** *Il existe un risque accru de choc électrique si votre corps est relié à la terre.*
- c) **N'utilisez pas la machine sous la pluie ou dans des conditions humides.** *Cela peut renforcer le risque de choc électrique.*
- d) **Ne pas maltraiter le cordon. Ne jamais utiliser le cordon pour porter, tirer ou débrancher l'outil. Maintenir le cordon à l'écart de la chaleur, du lubrifiant, des arêtes**

ou des parties en mouvement. *Des cordons endommagés ou emmêlés augmentent le risque de choc électrique.*

- e) **Lorsqu'on utilise un outil à l'extérieur, utiliser un prolongateur adapté à l'utilisation extérieure.** *L'utilisation d'un cordon adapté à l'utilisation extérieure réduit le risque de choc électrique.*
 - f) **Si l'usage d'un outil dans un emplacement humide est inévitable, utiliser une alimentation protégée par un dispositif à courant différentiel résiduel (DDR).** *L'usage d'un DDR réduit le risque de choc électrique.*
- #### 3) Sécurité des personnes
- a) **Restez vigilant, regardez ce que vous êtes en train de faire et faites preuve de bon sens dans votre utilisation de l'outil. Ne pas utiliser un outil lorsque vous êtes fatigué ou sous l'emprise de drogues, d'alcool ou de médicaments.** *Un moment d'inattention au cours de l'utilisation d'un outil peut entraîner des blessures graves.*
 - b) **Utiliser un équipement de sécurité. Toujours porter une protection pour les yeux.** *Les équipements de sécurité tels que les masques contre les poussières, les chaussures de sécurité antidérapantes, les casques ou les protections acoustiques utilisés dans les conditions appropriées réduiront le risque de blessures.*
 - c) **Éviter tout démarrage intempestif. S'assurer que l'interrupteur est en position arrêté avant de brancher l'outil au secteur et/ou au bloc de batteries, de le ramasser ou de le porter.** *Porter les outils en ayant le doigt sur l'interrupteur ou brancher des outils dont l'interrupteur est en position marche est source d'accidents.*
 - d) **Retirer toute clé de réglage avant de mettre l'outil en marche.** *Une clé laissée fixée sur une partie tournante de l'outil peut entraîner des blessures.*
 - e) **Ne pas se précipiter. Garder une position et un équilibre adaptés à tout moment.** *Cela permet un meilleur contrôle de l'outil dans des situations inattendues.*
 - f) **S'habiller de manière adaptée. Ne pas porter de vêtements amples ou de bijoux. Garder les cheveux, les vêtements et les gants à distance des parties en mouvement.** *Des vêtements amples, des bijoux ou les cheveux longs peuvent être attrapés par des parties en mouvement.*
 - g) **Si des dispositifs sont fournis pour le raccordement d'équipements pour l'extraction et la récupération des poussières, s'assurer qu'ils sont connectés et correctement utilisés.** *Utiliser des collecteurs de poussière peut réduire les risques dus aux poussières.*
 - h) **Ne pas laisser les habitudes acquises au cours d'une utilisation fréquente des outils nous rendre complaisants et ignorer les**

principes de sécurité de l'outil. Une action imprudente peut entraîner des blessures graves en une fraction de seconde.

4) Utilisation et entretien de l'outil

a) **Ne pas forcer l'outil. Utiliser l'outil adapté à votre application.** L'outil adapté réalisera mieux le travail et de manière plus sûre au régime pour lequel il a été construit.

b) **Dans de mauvaises conditions, du liquide peut être éjecté de la batterie; éviter tout contact. En cas de contact accidentel, nettoyer à l'eau. Si le liquide entre en contact avec les yeux, rechercher en plus une aide médicale.** Le liquide éjecté des batteries peut causer des irritations ou des brûlures.

c) **Débrancher la fiche de la source d'alimentation secteur et/ou le bloc de batteries de l'outil avant tout réglage, changement d'accessoires ou avant de ranger l'outil.** De telles mesures de sécurité préventives réduisent le risque de démarrage accidentel de l'outil.

d) **Conserver les outils à l'arrêt hors de la portée des enfants et ne pas permettre à des personnes ne connaissant pas l'outil ou les présentes instructions de le faire fonctionner.** Les outils sont dangereux entre les mains d'utilisateurs novices.

e) **Observer la maintenance de l'outil. Vérifier qu'il n'y a pas de mauvais alignement ou de blocage des parties mobiles, des pièces cassées ou toute autre condition pouvant affecter le fonctionnement de l'outil. En cas de dommages, faire réparer l'outil avant de l'utiliser.** De nombreux accidents sont dus à des outils mal entretenus.

f) **Garder affûtés et propres les outils permettant de couper.** Des outils destinés à couper correctement entretenus avec des pièces coupantes tranchantes sont moins susceptibles de rester bloqués et sont plus faciles à contrôler.

g) **Utiliser l'outil, les accessoires et les lames etc., conformément à ces instructions, en tenant compte des conditions de travail et du travail à réaliser.** L'utilisation de l'outil pour des opérations différentes de celles prévues pourrait donner lieu à des situations dangereuses.

h) **Maintenir les poignées et les surfaces de préhension sèches, propres et exemptes d'huile et de graisse.** Des poignées et surfaces de préhension glissantes ne permettent pas une manipulation et un contrôle de l'outil en toute sécurité en cas d'imprévu.

5) Utilisation des outils fonctionnant sur batteries et précautions d'emploi

a) **Ne recharger qu'avec le chargeur spécifié par le fabricant.** Un chargeur qui est adapté à un type de bloc de batteries peut entraîner un risque d'incendie lorsqu'il est utilisé avec un autre type de bloc de batteries.

b) **N'utiliser les outils qu'avec des blocs de batteries spécifiquement désignés.** L'utilisation de tout autre bloc de batteries peut

entraîner un risque de blessure et d'incendie.

c) **Lorsqu'un bloc de batteries n'est pas utilisé, le maintenir à l'écart de tout autre objet métallique, par exemple trombones, pièces de monnaie, clés, clous, vis ou autres objets de petite taille qui peuvent donner lieu à une connexion d'une borne à une autre.** Le court-circuitage des bornes d'une batterie entre elles peut causer des brûlures ou un incendie.

d) **Dans de mauvaises conditions, du liquide peut être éjecté de la batterie; éviter tout contact. En cas de contact accidentel, nettoyer à l'eau. Si le liquide entre en contact avec les yeux, rechercher en plus une aide médicale.** Le liquide éjecté des batteries peut causer des irritations ou des brûlures.

e) **N'utilisez pas de batterie ou d'outil endommagé ou modifié.** Des batteries endommagées ou modifiées peuvent se comporter de façon imprévisible et causer un incendie, une explosion ou un risque de blessure.

f) **N'exposez pas une batterie ou un outil à un incendie ou à une température excessive.** L'exposition à un incendie ou une température supérieure à 130 °C peut causer une explosion.

g) **Suivez toutes les instructions de charge et ne rechargez pas la batterie ou l'outil en dehors de la plage de température spécifiée dans les instructions.** Recharger la batterie de façon inappropriée ou en dehors de la plage de température spécifiée peut l'endommager et augmente le risque d'incendie.

6) Maintenance et entretien

a) **Faire entretenir l'outil par un réparateur qualifié utilisant uniquement des pièces de rechange identiques.** Cela assurera le maintien de la sécurité de l'outil.

b) **Ne révisiez jamais de batteries endommagées.** La révision de batteries doit uniquement être effectuée par le fabricant ou les prestataires de service autorisés.

AVERTISSEMENTS DE SÉCURITÉ DE LA TONDEUSE

a) **N'utilisez pas la tondeuse en cas d'intempéries, surtout lorsqu'il y a un risque de foudre.** Cela réduit le risque d'être frappé par la foudre.

b) **Cela réduit le risque d'être frappé par la foudre.** La tondeuse pourrait blesser les animaux pendant son fonctionnement.

c) **Inspectez bien la zone à tondre et retirez les pierres, morceaux de bois, fils, os et autres objets.** Les objets projetés peuvent causer des blessures.

d) **Avant d'utiliser la tondeuse, effectuez toujours une inspection visuelle pour vérifier si la lame et l'assemblage de la lame ne sont**

pas usés ou endommagés. Des pièces usées ou endommagées augmentent le risque de blessures.

- e) **Vérifiez régulièrement le bac de ramassage d'herbe pour repérer tout signe d'usure ou de détérioration.** Un bac de ramassage d'herbe usé ou endommagé peut augmenter le risque de blessures.
- f) **Maintenez les dispositifs de protection en place. Les dispositifs de protection doivent être en état de marche et correctement montés.** Un dispositif de protection desserré, endommagé ou qui ne fonctionne pas correctement peut provoquer des blessures.
- g) **Maintenez toutes les entrées d'air de refroidissement exemptes de débris.** Des entrées d'air obstruées et des débris faisant obstacle peuvent entraîner une surchauffe ou un risque d'incendie.
- h) **Pendant l'utilisation de la tondeuse, portez toujours des chaussures de protection antidérapantes. N'utilisez pas la tondeuse lorsque vous êtes pieds nus ou que vous portez des sandales ouvertes.** Cela réduit le risque de blessures aux pieds en cas de contact avec la lame en mouvement.
- i) **Pendant l'utilisation de la tondeuse, portez toujours des pantalons longs.** Une peau exposée augmente le risque de blessures liées à des projectiles.
- j) **N'utilisez pas la tondeuse sur une pelouse mouillée.** Travaillez en marchant, jamais en courant. Cela réduit le risque de glissade et de chute, qui peut entraîner des blessures.
- k) **N'utilisez pas la tondeuse sur des dévers trop importants.** Cela réduit le risque de perte de contrôle, de glissade et de chute, qui peut entraîner des blessures.
- l) **Lorsque vous tondez un terrain en pente, gardez toujours un bon équilibre, tondez toujours en travers de la pente, jamais en montée ou en descente, et soyez extrêmement prudent au moment de changer de direction.** Cela réduit le risque de perte de contrôle, de glissade et de chute, qui peut entraîner des blessures.
- m) **Soyez extrêmement prudent lorsque vous reculez ou tirez la tondeuse vers vous. Restez attentif à ce qui se passe autour de vous.** Cela réduit le risque de trébuchement pendant le fonctionnement.
- n) **Ne touchez pas les lames et autres pièces mobiles dangereuses lorsqu'elles sont toujours en mouvement.** Cela réduit le risque de blessures liées aux pièces mobiles.
- o) **Au moment de retirer un objet bloqué ou de nettoyer la tondeuse, n'oubliez pas de mettre tous les interrupteurs d'alimentation hors tension, et de débrancher le bloc de batterie.** Le fonctionnement inattendu de la tondeuse peut entraîner des blessures graves.

SÉCURITÉ DE LA BATTERIE MISES EN GARDE CONCERNANT LA BATTERIE

- a) **La batterie et les piles secondaires ne doivent pas être ouvertes, démontées ou broyées.**
- b) **La batterie ne doit pas être court-circuitée. Évitez de mettre la batterie en vrac dans une boîte ou dans un tiroir où elles risqueraient de se court-circuiter entre elles ou au contact d'autres objets métalliques.** Après usage, évitez tout contact de la batterie avec d'autres objets métalliques de petite taille (trombones, pièces, clés, clous, vis etc.) susceptibles de court-circuiter les pôles. Un court-circuit entre les pôles de la batterie peut être à l'origine de brûlures ou d'un incendie.
- c) **La batterie ne doit pas être exposée au feu et à la chaleur. Évitez de la ranger à la lumière du soleil.**
- d) **La batterie et les piles ne doivent pas être soumises à des chocs mécaniques.**
- e) **En cas de fuite des piles, évitez tout contact du liquide avec la peau et les yeux. En cas de contact, rincez abondamment la surface touchée avec de l'eau et appelez les urgences.**
- f) **La batterie et les piles doivent rester propres et sèches.**
- g) **Si la batterie ou les piles se salissent, essuyez-les avec un chiffon propre et sec.**
- h) **La batterie et les piles doivent être chargées avant usage. Utilisez toujours le chargeur adéquat, et respectez les instructions du fabricant ou le mode d'emploi de l'appareil concernant la procédure de recharge.**
- i) **Évitez de laisser une batterie se charger pendant trop longtemps lorsqu'elle n'est pas utilisée.**
- j) **Après de longues périodes d'inutilisation, il peut être nécessaire de charger et décharger la batterie et les piles à plusieurs reprises avant que celles-ci ne retrouvent leur capacité maximale.**
- k) **N'utilisez pas d'autre chargeur que celui spécifié par Kress. N'utilisez pas d'autre chargeur que celui spécifiquement fourni avec l'appareil.**
- l) **N'utilisez en aucun cas une batterie autre que celle prévue pour cet appareil.**
- m) **La batterie doit être tenue hors de portée des enfants.**
- n) **Gardez la documentation d'origine du produit afin de pouvoir vous y référer ultérieurement.**
- o) **Enlevez la batterie de l'appareil lorsque vous ne l'utilisez pas.**
- p) **Respectez les procédures de mise au rebut.**
- q) **Ne pas mélanger des piles de fabrication, capacité, taille ou type différents dans un appareil.**
- r) **Protégez la batterie des micro-ondes et des hautes pressions.**
- s) **Attention ! N'utilisez pas de piles non**











rechargeables.

CONDITIONS DU MANUEL D'UTILISATION POUR LES OUTILS SANS FIL

- a) Le fonctionnement de ce type d'appareil est soumis aux deux conditions suivantes:
 (1) Cet appareil ne doit pas provoquer d'interférences préjudiciables, et
 (2) Il doit accepter toute interférence reçue, y compris les interférences pouvant entraîner un mauvais fonctionnement.
- b) Attention: Les changements et modifications apportés à cet appareil et non expressément autorisés par la partie responsable de la compatibilité peuvent annuler le droit de l'utilisateur à faire fonctionner l'équipement.
- c) REMARQUE: Cet équipement génère, utilise et peut dégager de l'énergie de radiofréquence et, s'il n'est pas installé et utilisé conformément aux instructions du fabricant, peut provoquer des interférences préjudiciables aux communications radio. Il n'existe toutefois aucune garantie que des interférences ne se produiront pas dans une installation particulière. Si cet équipement entraîne des interférences préjudiciables à la réception des émissions radio ou de télévision, pouvant être identifiées en mettant l'équipement hors tension puis sous tension, il est recommandé que l'utilisateur tente de résoudre ce problème au moyen d'une ou plusieurs des mesures suivantes:
- En orientant différemment l'antenne réceptrice ou en la changeant de place.
 - En augmentant la distance séparant l'équipement du récepteur.
 - En connectant l'équipement à une prise sur un circuit différent de celui sur lequel est branché le récepteur.
 - En obtenant de l'aide auprès du revendeur ou d'un technicien radio/TV expérimenté.

SYMBOLES

	Pour réduire le risque de blessure, l'utilisateur doit lire le mode d'emploi.
	AVERTISSEMENT
	AVERTISSEMENT - Faites attention aux projectiles – personne ne doit se tenir à proximité

	AVERTISSEMENT - Éloignez vos mains et pieds des lames
	AVERTISSEMENT - Débranchez la batterie avant l'entretien
	La lame continue à tourner après le relâchement de l'interrupteur. Attendre que tous les composants de la machine se soient complètement arrêtés avant de les toucher.
	Portez des gants de protection.
	Retirez la batterie de la prise avant de procéder à tout ajustement, révision ou maintenance.
	Les batteries peuvent entrer dans le cycle de l'eau si elles sont éliminées de façon inappropriée, ce qui peut être dangereux pour l'écosystème. Ne pas éliminer les batteries usagées comme un déchet municipal non trié.
	Ne pas brûler
	Haute vitesse
	Basse vitesse
	Batterie Li-Ion Ce produit comporte un symbole de « Collecte séparée » de toutes les batteries. Il sera ensuite recyclé ou démantelé, afin de réduire l'impact sur l'environnement. Les batteries peuvent être dangereuses pour l'environnement et la santé humaine, car elles contiennent des substances dangereuses.



Les déchets d'équipements électriques et électroniques ne doivent pas être déposés avec les ordures ménagères. Ils sont collectés pour être recyclés dans des centres spécialisés. Consultez les autorités locales ou votre revendeur pour obtenir des renseignements sur l'organisation de la collecte.

ASSEMBLAGE ET FONCTIONNEMENT



REMARQUE : Avant d'utiliser l'outil, lisez attentivement le mode d'emploi.

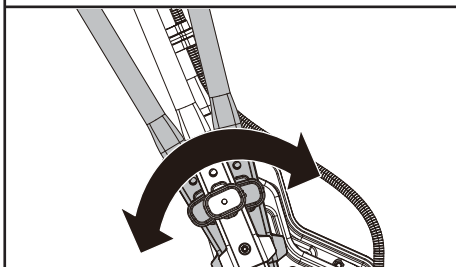


AVANT UTILISATION

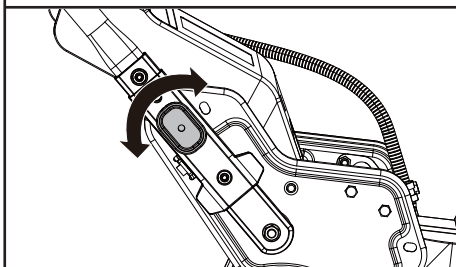
Réglage de la hauteur de la poignée et assemblage de la poignée inférieure. (Voir Fig. A1, A2)

Vous pouvez choisir parmi 3 hauteurs. Sélectionnez la hauteur appropriée et tournez le bouton de réglage de la hauteur.

A1

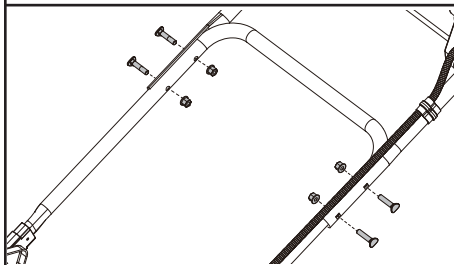


A2



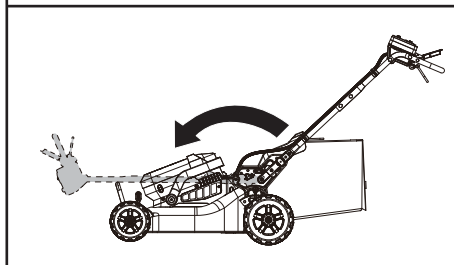
Assemblage de la poignée supérieure. (Voir Fig. A3)

A3



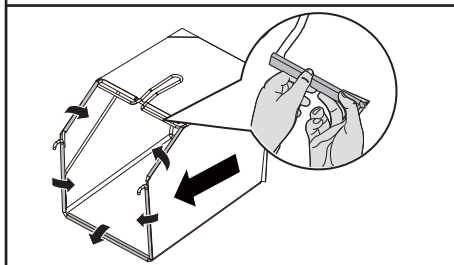
REMARQUE : Les poignées peuvent être pliées vers le haut pour le transport ou le rangement hors saison. (Voir Fig. A4)

A4



Assemblage du sac de collecte d'herbe (voir Fig. B1)

B1

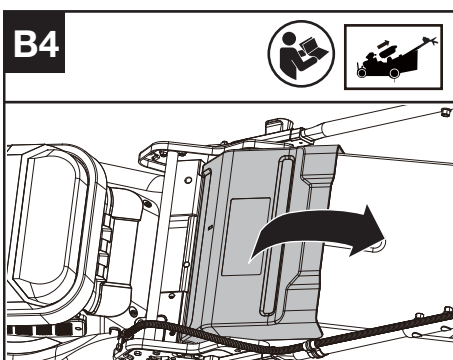
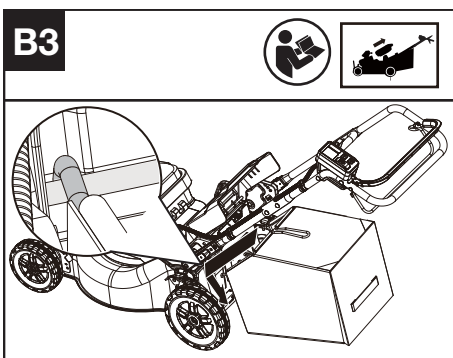
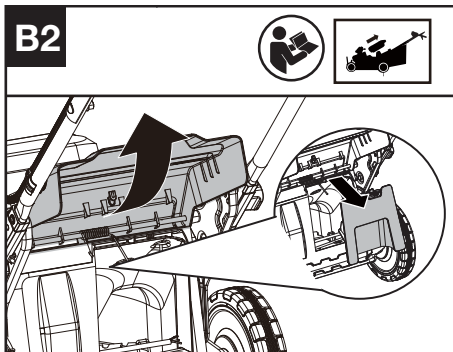


Assemblage du sac de collecte d'herbe sur la tondeuse (Voir Fig. B2,B3,B4)

REMARQUE : Appuyez légèrement le sac de collecte d'herbe pour vous assurer qu'il est

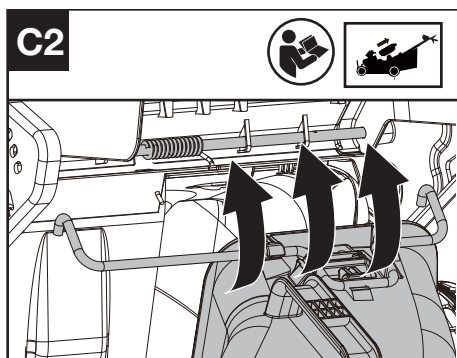
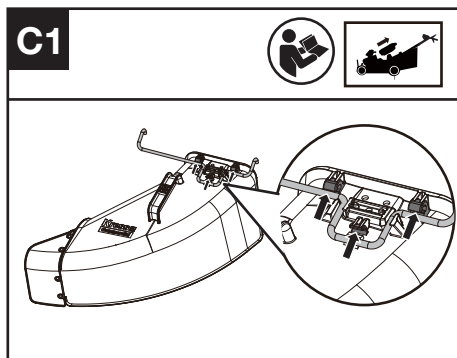
complètement installé.

REMARQUE : Retirez la fiche de paillage de la tondeuse avant de fixer le sac de collecte d'herbe.



Montage de la goulotte de décharge latérale sur la tondeuse (voir Fig. C1, C2)

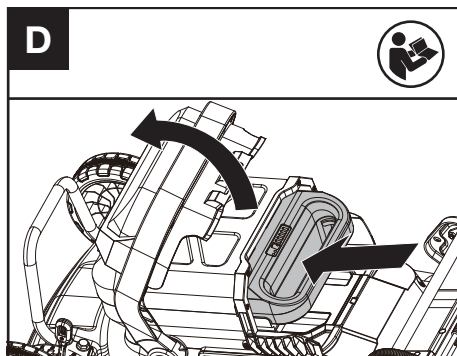
REMARQUE : Retirez l'obturateur de mulching et le sac de ramassage d'herbe de la tondeuse avant de monter la goulotte de décharge latérale.



Contrôle de l'état de charge de la batterie et mise en charge du bloc de batterie.

REMARQUE : Les batteries sont livrées déchargées. La batterie doit être pleinement chargée avant la première utilisation. Vous trouverez plus de détails dans le manuel de la batterie et du chargeur.

Installation et retrait de la batterie (Voir Fig. D)



Contrôle des commandes

1. Retirez la batterie.
2. Essayez d'appuyer sur l'interrupteur Marche/Arrêt, le bouton de démarrage de la lame de coupe ou la commande de vitesse de coupe. Si l'interrupteur Marche/Arrêt, le bouton de démarrage de la lame de coupe ou la commande de vitesse de coupe est bloqué et ne peut pas revenir à sa position d'origine, arrêtez d'utiliser la tondeuse et contactez un technicien.
3. Essayez de tirer et de relâcher la commande d'entraînement ou la commande d'activation du système auto-tractionné. Si la commande d'entraînement ou la commande d'activation du système auto-tractionné est bloquée et ne peut pas revenir à sa position d'origine, arrêtez d'utiliser la tondeuse et contactez un technicien.
4. Tournez la commande de vitesse auto-tractionnée. Si la commande de vitesse auto-tractionnée est bloquée, arrêtez d'utiliser la tondeuse et contactez un technicien.

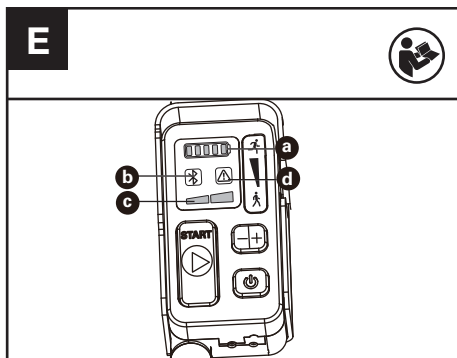
Contrôle de l'écran (Voir Fig. E)

1. Mettez la batterie en place.
2. Maintenez l'interrupteur Marche/Arrêt enfoncé, et l'indicateur de batterie (a) et l'indicateur de vitesse de coupe (c) s'allument.
3. Appuyez sur le bouton de démarrage de la lame de coupe et tirez la commande d'entraînement pour démarrer la machine.
4. Si l'indicateur d'avertissement (d) clignote, reportez-vous à **Guide de dépannage** pour trouver des solutions.
5. Relâchez la commande d'entraînement. La lame s'arrête de tourner après un court délai. Si la tondeuse ne s'arrête pas, retirez la batterie et contactez un technicien.

Indicateurs LED

- | | |
|----|--------------------------------|
| a. | INDICATEUR DE BATTERIE |
| b. | INDICATEUR BLUETOOTH |
| c. | INDICATEUR DE VITESSE DE COUPE |
| d. | INDICATEUR D'AVERTISSEMENT |

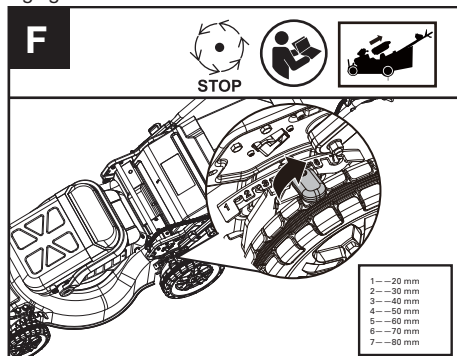
REMARQUE : Le voyant d'alerte clignote en rouge ou jaune en cas de dysfonctionnement de la machine. Veuillez demander l'aide du revendeur. Si le voyant clignote en jaune, arrêtez la machine, retirez la batterie puis remettez-la en place et remettez la machine en marche. Si le voyant continue de clignoter en jaune, veuillez demander l'aide du revendeur.



Réglage de la hauteur de coupe (Voir Fig. F)

Réglez la hauteur de coupe avec les leviers de réglage de la hauteur de coupe des roues avant et arrière.

REMARQUE : Assurez-vous que les roues avant et arrière se trouvent dans la même position pour le réglage de la hauteur.



AVERTISSEMENT! Arrêtez, relâchez la poignée de fonctionnement et attendez que le moteur s'arrête avant de régler la hauteur. Les lames continuent à tourner une fois la machine éteinte, une lame en rotation peut provoquer des blessures. Ne touchez pas les lames en rotation.

FONCTIONNEMENT

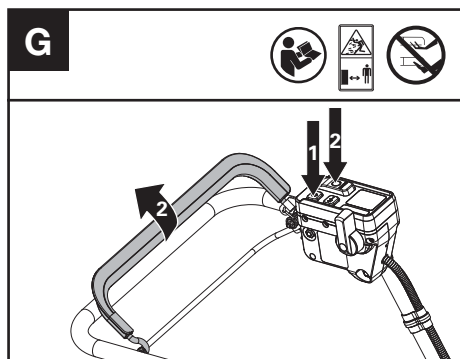
Démarrage et arrêt de la tondeuse (voir Fig. G)

1. Appuyez sur l'interrupteur Marche/Arrêt.
2. Appuyez sur le bouton de démarrage de la lame de coupe (Maintenir) et tirez la barre d'entraînement pour démarrer la machine.
3. Relâchez la commande d'entraînement pour arrêter.

AVERTISSEMENT ! La lame continue de tourner après avoir éteint la tondeuse ; attendez qu'elle s'arrête complètement.

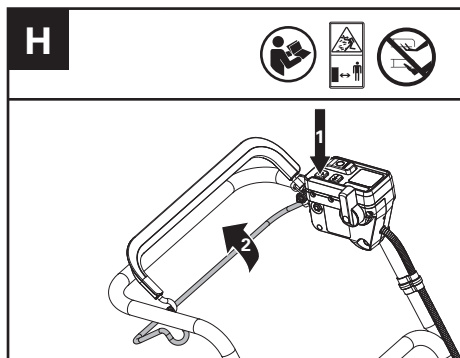
REMARQUE : Pour le démarrage, appuyez sur le bouton de démarrage de la lame de coupe et tirez la

commande d'entraînement en même temps.
REMARQUE: Maintenez l'interrupteur Marche/Arrêt enfoncé et l'écran s'allume. L'écran s'éteindra automatiquement si aucune opération n'est effectuée dans les 60 secondes.

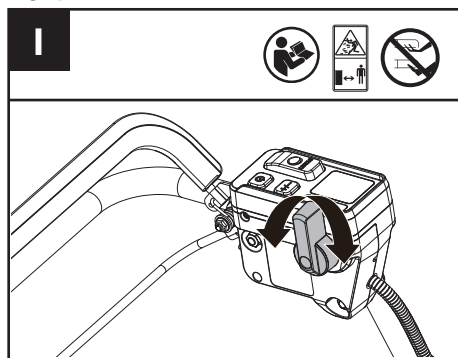


Fonctionnement du système auto-tractionné (Voir Fig. H)

1. Appuyez sur l'interrupteur Marche/Arrêt.
2. Tirez la commande d'activation du système auto-tractionné pour démarrer le système auto-tractionné.
3. Relâchez la commande d'activation du système auto-tractionné pour arrêter.

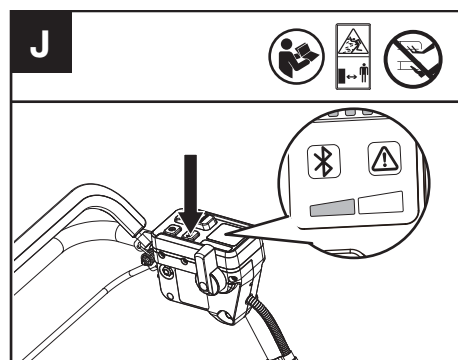


Sélection de la vitesse auto-tractionnée (Voir Fig. I)



Sélection de la vitesse de coupe (Voir Fig. J)

Vous pouvez choisir entre 2 niveaux de vitesse de coupe en fonction de l'utilisation. Utilisez +/- pour contrôler la vitesse, qui est indiquée par les indicateurs LED. Plus le niveau de la vitesse de coupe est élevé, plus l'outil fonctionne rapidement.



CONSEILS POUR TONDER AVEC PAILLAGE

Lors du paillage, votre nouvelle tondeuse est conçue pour couper les résidus d'herbe en petits morceaux et pour les redistribuer sur la pelouse. Dans des conditions normales, l'herbe paillée se biodégrade rapidement pour nourrir la pelouse.

Veuillez passer en revue les recommandations suivantes pour une utilisation optimale du paillage.

- 1) Évitez de tondre lorsque l'herbe est mouillée par la pluie ou la rosée. L'herbe mouillée peut former des touffes qui gênent l'action de paillage et réduisent le temps de fonctionnement.
- 2) Pour un meilleur fonctionnement du paillage, réglez la hauteur de coupe pour enlever environ un tiers de la longueur de lame d'herbe, idéalement pas plus de 40mm à la fois. Si la pelouse est envahie, il peut être nécessaire d'augmenter la hauteur de coupe pour

réduire l'effort de poussée et pour empêcher de surcharger le moteur. Pour le paillage extrêmement intense, il est recommandé de couper d'abord une première fois avec un réglage de hauteur de coupe élevé, puis de recouper ensuite à la taille finale. Autrement, faire des coupes plus étroites et tondre lentement.

- 3) Pour de meilleures performances, maintenez le boîtier de la tondeuse exempt de toute accumulation d'herbe. De temps en temps, éteignez la tondeuse et attendez que les lames s'arrêtent complètement. Retirez ensuite les batteries et tournez la tondeuse sur le côté. À l'aide d'un objet tel qu'un bâton, retirez toute accumulation d'herbe autour de la zone de la lame. Faites attention aux arêtes aiguës de la lame. N'oubliez pas de nettoyer régulièrement la zone de la lame lorsque vous coupez l'herbe fraîche ou mouillée, et après chaque utilisation de la machine.
- 4) Certains types d'herbe ou certains états d'herbe peuvent exiger qu'une zone soit paillée une deuxième fois pour disperser entièrement l'herbe dans toute la pelouse. Si vous coupez une deuxième fois, il est recommandé de couper perpendiculairement (en travers) à la première configuration de coupe. **NE PAS MODIFIER LE MOTIF DE COUPE EN AUCUNE FAÇON QUI VOUS FERAIT TONDRE EN DESCENTE.**
- 5) Changez votre motif de coupe de semaine en semaine. Ceci aide à empêcher les nattes et la granulation de la pelouse.
- 6) Ne tondez pas sur une pente dont l'inclinaison dépasse 18°.

ZONE DE COUPE

La zone de coupe peut être affectée par plusieurs facteurs, tels que la hauteur de coupe, l'humidité du gazon, la longueur et la densité de l'herbe. De plus, démarrer et arrêter la tondeuse trop de fois au cours du fonctionnement réduira la zone de coupe.

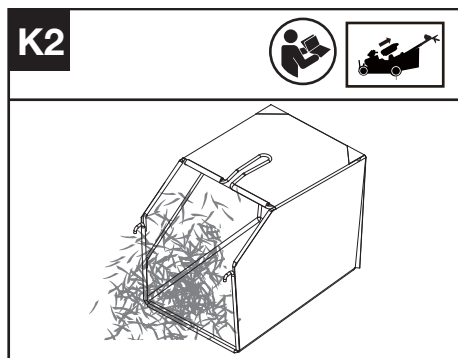
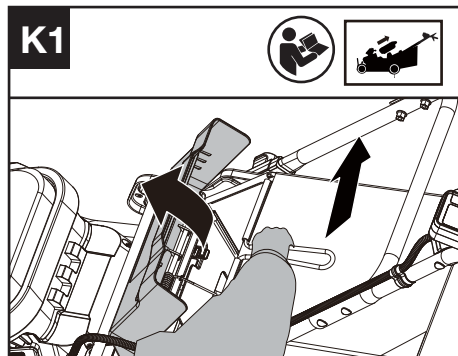
CONSEILS:

- 1) Nous vous recommandons de tondre plus fréquemment votre pelouse, de marcher à un rythme normal et de ne pas démarrer / arrêter la tondeuse trop souvent au cours de son fonctionnement. Veuillez toujours utiliser les deux mêmes batteries et les recharger en même temps.
- 2) Pour de meilleures performances, assurez-vous que le bloc de batterie est complètement chargé et coupez toujours au 1/3 ou moins de la hauteur de l'herbe. Il est recommandé d'installer une nouvelle lame au début de la saison de tonte.
- 3) Marchez lentement lors de la coupe d'herbe longue, de façon à procéder à une coupe plus efficace et de décharger convenablement l'herbe coupée.
- 4) Évitez de couper de l'herbe humide, sinon elle restera collée sous la station et ne pourra être correctement recueillie ou déchargée.
- 5) Une hauteur de coupe plus élevée doit être appliquée à de l'herbe épaisse ou neuve et

prolongera la durée de la batterie.

Retrait et vidage du sac de collecte d'herbe (Voir Fig. K1, K2)

⚠ AVERTISSEMENT ! Vérifiez toujours que le volet de sécurité a fermé la sortie de décharge avant l'utilisation. Ne soulevez jamais le volet de sécurité ou ne retirez jamais la fiche de paillage lorsque la tondeuse est utilisée sans sac de collecte d'herbe.



POUR LES OUTILS À BATTERIE

La plage de températures ambiantes recommandée de décharge est de -20 °C~45 °C (-4°F~113°F).

La plage de température ambiante recommandée pour le système de recharge au cours de la charge est -5 °C~45 °C (23°F~113°F).

Détails concernant l'élimination sûre des batteries usagées:

En fin de vie de l'appareil, retirez le pack de batteries en toute sécurité avant de vous débarrasser de l'appareil. Ne jetez pas les batteries ou ne les mettez pas à la poubelle ordinaire. Ne jetez pas non plus la batterie avec l'appareil. Retirez le pack de batteries usagées de l'appareil et éliminez-le dans un centre de recyclage spécialisé le plus proche ou le plus pratique. En cas de doute, consultez votre service local de protection de l'environnement. Les batteries

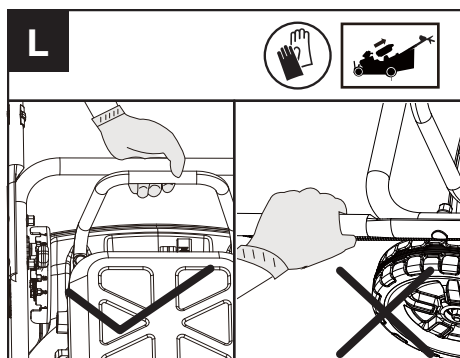
F

peuvent se retrouver dans le cycle de l'eau si elles sont éliminées de manière incorrecte, ce qui peut être dangereux pour l'écosystème. Ne jetez pas les batteries usagées avec les déchets municipaux non triés.

TRANSPORT

Transport de la tondeuse

1. Éteignez la tondeuse et retirez la batterie.
2. Lorsque vous transportez votre tondeuse, vous pouvez utiliser le système de commande automatique sans enclencher la lame de coupe.
3. Pour soulever la tondeuse, deux personnes doivent soulever les deux côtés de la tondeuse en la saisissant par la protection de moteur et les zones de connexion de la poignée inférieure. Pour soulever la machine à l'état replié, saisissez-la par le carter du moteur et non pas par les poignées. (Voir Fig. L)



Transport de la batterie

1. Assurez-vous que la batterie demeure en bon état.
2. Utilisez un emballage non conducteur lors du transport de la batterie.
3. Les batteries Li-Ion contenues sont soumises aux prescriptions de la législation sur les marchandises dangereuses.
Ne transportez les batteries que lorsque le boîtier de la batterie n'est pas endommagé. Emballez les piles de manière à ce qu'elles ne puissent pas se déplacer dans l'emballage.

ENTRETIEN

AVERTISSEMENT ! Arrêtez la tondeuse et retirez la batterie avant de retirer le sac de collecte d'herbe.

REMARQUE: Pour assurer une utilisation longue et sans problème, suivre les procédures d'entretien suivantes de manières régulières. Vérifier les défauts évidents tels qu'une lame endommagée, des accessoires mal ajustés, et des pièces usées

ou endommagées. Vérifier que les capots et les protections soient tous intacts et correctement fixés à la tondeuse. Effectuer tout l'entretien et toutes les réparations nécessaires avant d'utiliser la tondeuse. Si la tondeuse ne fonctionne plus malgré l'entretien régulier, Veuillez appeler le service client pour tout conseil.

AFFÛTAGE DE LA LAME
MAINTENEZ LA LAME AFFÛTÉE POUR PROFITER DES MEILLEURES PERFORMANCES DE LA TONDEUSE. UNE LAME ÉMOUSSÉE NE COUPE PAS PROPREMENT ET N'EFFECTUE PAS CORRECTEMENT LE PAILLAGE.

PORTEZ DES LUNETTES DE PROTECTION ET DES GANTS RÉSISTANTS AUX COUPURES LORSQUE VOUS RETIREZ, AFFÛTEZ ET INSTALLEZ LA LAME.

REMARQUE : Affûtez ou remplacez la lame toutes les 50 heures de fonctionnement. Le sable rend rapidement la lame moins tranchante. Si votre pelouse repose sur un sol sablonneux, un affûtage ou un remplacement plus régulier peut être nécessaire.

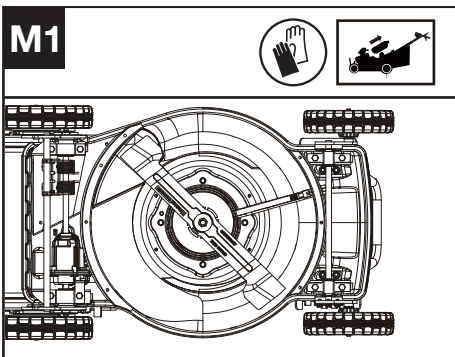
REMPLECEZ IMMÉDIATEMENT LA LAME SI ELLE EST TORDUE OU ENDOMMAGÉE.

LORS DE L'AFFÛTAGE DE LA LAME

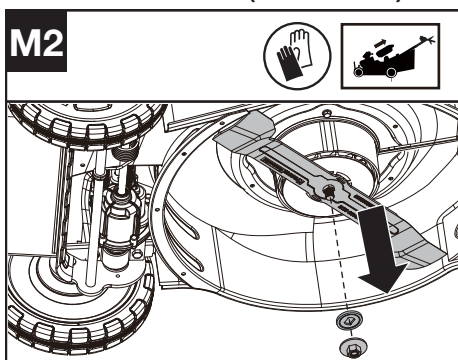
1. Utilisez un bloc de bois de décharge pour éviter que la lame tourne.
2. À l'aide d'une douille et d'une clé, retirez le boulon de lame, puis la lame. (Voir la section sur le retrait de la lame)
3. Fixez la lame dans un étau, ou tout outil similaire, pour l'empêcher de bouger pendant l'affûtage.
4. Affûtez les bords de coupe sur les deux extrémités de la lame. Assurez-vous que la même quantité de matériau est retiré des deux extrémités pour équilibrer la lame.
5. Vérifiez que la lame est bien équilibrée. (Voir la section sur l'équilibre de la lame)
6. Remplacez la lame dans l'ordre inverse du démontage.
7. Serrez bien le boulon de lame au couple requis (25 Nm).

REMARQUE:

1. Assurez-vous que la tondeuse est éteinte et retirez la batterie.
2. Inclinez la tondeuse sur le côté comme indiqué à la Figure M1

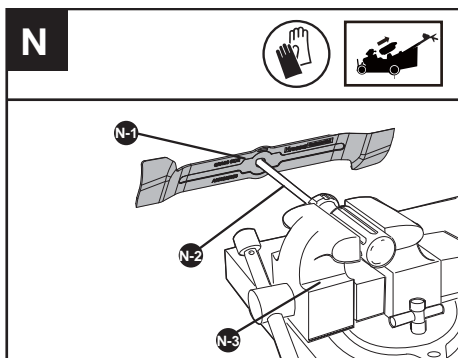


RETRAIT DE LA LAME (VOIR FIG. M2)



ÉQUILIBRAGE DE LA LAME (VOIR FIG. N)

Contrôlez l'équilibrage de la lame en plaçant le trou au centre de la lame N-1 au-dessus d'un tournevis N-2, maintenu horizontalement dans un étau N-3. Si l'une ou l'autre extrémité de la lame tourne vers le bas, limez cette extrémité. La lame est correctement équilibrée quand ni l'une ni l'autre extrémité ne tombe.



REPLACEMENT DE LA LAME

-Il est conseillé de remplacer différentes lames

de tondeuse selon les différentes conditions de fonctionnement pour une utilisation optimale.

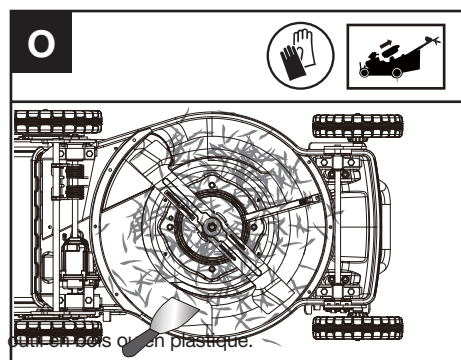
LAME	FONCTION
Lame de type haut soulèvement	Recommandée pour l'ensilage
Lame Gator	Recommandée pour le pailleage

NETTOYAGE

1. Arrêtez la tondeuse et retirez la batterie
2. Ne pas utiliser de produits détergents agressifs ni de solvants. Nettoyez la machine après utilisation avec un chiffon humide imbibé d'un détergent neutre.
3. Aucun corps étranger ne doit bloquer la prise ; nettoyez-la avec un chiffon ou une brosse souple et sèche.
4. N'aspergez pas d'eau sur le moteur et les composants électriques.
5. N'utilisez pas d'eau sous pression pour nettoyer la machine.

Nettoyage de la plateforme et de la zone de la lame. (Voir Fig. O)

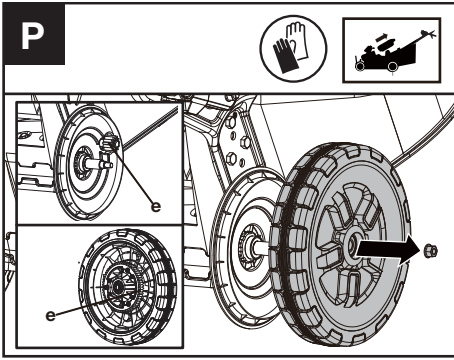
Retirez l'herbe coupée et les débris de la plateforme et de la zone de la lame. Si l'herbe coupée est compactée dans la zone de la lame, retirez-la avec un



Nettoyage des roues. (Voir Fig. P)

- Arrêtez la tondeuse et retirez la batterie.
- Nettoyez les roues toutes les 50 heures ou plus régulièrement dans des conditions extrêmes.
- Enlevez les roues arrière et retirez l'herbe coupée et les débris de la zone de l'engrenage à roue.
- Il est recommandé d'appliquer une petite quantité de lubrifiant antigrippage sur les engrenages (e) après le nettoyage.

F

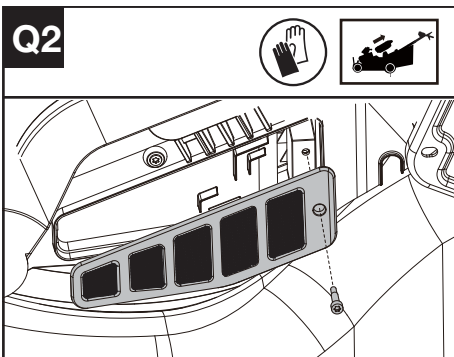
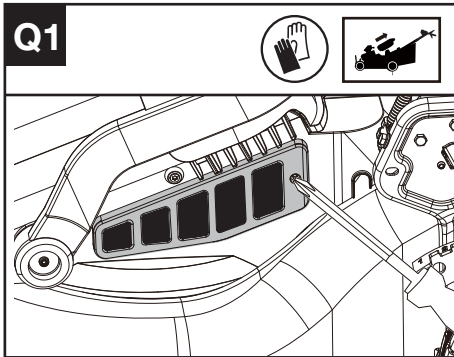


STORAGE

1. Arrêtez la tondeuse et retirez la batterie.
2. Nettoyez bien l'extérieur de la machine à l'aide d'un chiffon et d'une brosse douce. N'utilisez pas de solvants ou de liquides à polir. Retirez toute l'herbe et les débris, spécialement au niveau des fentes d'aération, de la plaque de paillage, de la zone de la lame et des roues.
3. Rangez la machine dans un endroit sec, hors de la portée des enfants et d'autres personnes non autorisées. Ne posez pas d'autres objets sur l'appareil.
4. Pour faciliter le rangement, repliez le guidon.
5. Rangez la batterie uniquement dans un lieu dont la plage de température est comprise entre 5 °C (41 °F) et 25 °C (77 °F). Par exemple, ne laissez pas la batterie dans la voiture en été.
6. Si elles sont mouillées par la pluie pendant l'utilisation, la machine et la batterie devraient être séchées avant rangement ou mise en charge. Retirez la batterie et réinsérez-la si la machine ne s'allume pas.

Nettoyage du filtre à air (Voir Fig. Q1, Q2)

1. Nettoyez la zone autour du filtre à air. Utilisez un chiffon humide ou une brosse douce.
2. Dévissez et retirez le filtre à air.
3. Lavez le filtre à air à l'eau courante pour enlever la saleté.
4. Laissez le filtre à air sécher à l'air. Puis installez-le dans le boîtier en serrant la vis.



GUIDE DE DÉPANNAGE

Le tableau ci-après dresse une liste de problèmes et d'actions que vous pouvez entreprendre si votre machine ne fonctionne pas correctement.




AVERTISSEMENT ! Éteignez la machine et retirez la batterie avant d'effectuer un dépannage.

PROBLEME	SOLUTION
1. La tondeuse n'avance pas quand la poignée de fonctionnement est actionnée.	A. Vérifiez que le bouton de démarrage de la lame de coupe est complètement enfoncé. B. Relâchez la commande d'entraînement pour éteindre la tondeuse. Retirez la batterie, retournez la tondeuse et vérifiez que la lame est libre de tourner. Si ce n'est pas le cas, rendez-vous chez un réparateur agréé. La lame devrait librement tourner. C. La batterie a-t-elle été complètement chargée ? Branchez le chargeur et attendez que le voyant vert s'allume. D. Pour le démarrage, appuyez sur le bouton de démarrage de la lame de coupe et tirez la commande d'entraînement en même temps.
2. Le moteur s'arrête pendant la tonte.	A. Relâchez la commande d'entraînement pour éteindre la tondeuse. Retirez la batterie, retournez la tondeuse pour vérifier que la tondeuse est obstruée par des débris d'herbe, et retirez les débris de la zone de rotation de la lame. Puis, vérifiez que la lame est libre de tourner. Si ce n'est pas le cas, rendez-vous chez un réparateur agréé. La lame devrait librement tourner. B. Relevez la hauteur de coupe des roues à la position la plus haute et démarrez la tondeuse. C. La batterie a-t-elle été chargée à fond? Branchez le chargeur et attendez que le voyant vert s'allume. D. Évitez de surcharger la tondeuse. Ralentissez la cadence de tonte ou relevez la hauteur de coupe. Ou les deux.
3. La tondeuse se met en marche pour les performances de tonte ne sont pas satisfaisantes, ou toute la pelouse n'est pas coupée.	A. La batterie a-t-elle été chargée à fond? Branchez le chargeur et attendez que le voyant vert s'allume. B. Relâchez la commande d'entraînement pour éteindre la tondeuse. Retirez la batterie. Retournez la tondeuse et vérifiez : L'affûtage de la lame - Maintenez-la tranchante. La goulotte de décharge et la plateforme pour détecter tout signe d'obstruction. C. Le réglage de la hauteur des roues est peut-être trop bas pour la pelouse à tondre. Relevez la hauteur de coupe.
4. La tondeuse est difficile à pousser.	A. Relevez la hauteur de coupe pour réduire le freinage sur l'herbe. Vérifiez la rotation libre de chaque roue.
5. La tondeuse est anormalement bruyante et vibre.	A. Relâchez la commande d'entraînement pour éteindre la tondeuse. Retirez la batterie. Tournez la tondeuse sur le côté et vérifiez la lame pour vous assurer qu'elle n'est pas tordue ou endommagée. Si la lame est endommagée, remplacez-la par une lame de rechange. Si le dessous de la plateforme est endommagé, retournez la tondeuse à un centre de service agréé. B. Si la lame ne présente aucun dommage visible et que la tondeuse vibre toujours : Relâchez la commande d'entraînement pour éteindre la tondeuse, retirez la batterie et retirez la lame. Faites tourner la lame de 180 degrés et serrez à nouveau. Si la tondeuse vibre toujours, retournez la tondeuse à un centre de service agréé.
6. Le voyant du chargeur de batterie ne s'allume pas.	A. Vérifiez qu'il est correctement branché. B. Remplacez le chargeur.

7. Le voyant LED du chargeur de batterie ne devient pas vert.	A. La batterie doit être diagnostiquée. Emmenez-la dans un centre technique agréé.
8. La tondeuse ne récupère pas les résidus de tonte dans le sac.	A. Goulotte arrière bouchée. Relâchez la commande d'entraînement pour éteindre la tondeuse. Retirez la batterie. Nettoyez la goulotte et retirez l'herbe coupée. B. Trop d'herbes coupées. Levez la hauteur de coupe des roues pour réduire la longueur de la coupe. C. Sac plein. Videz le sac plus régulièrement.
9. Lors du paillage, les tontes sont visibles.	A. Une quantité d'herbe excessive est tondue. Relevez la hauteur de coupe des roues afin de diminuer la hauteur de coupe. Ne coupez pas plus de 1/3 de la longueur totale. B. Vérifiez la précision de la lame. Gardez toujours la lame bien aiguisée. C. Diminuez la vitesse si l'herbe est haute ou très épaisse.
10. Temps d'exécution faible ou réduit après de nombreuses utilisations.	A. Retour au centre technique agréé - peut nécessiter une nouvelle batterie.
11. Le voyant d'alerte clignote.	A. Arrêtez la machine, retirez la batterie puis remettez-la en place et remettez la machine en marche. B. Contactez un technicien

CARACTÉRISTIQUES TECHNIQUES

Modèle: **KC720 KC720.X (720 - Désignation de la machine, modèle de tondeuse autotractée avec carter en acier renforcé)**

F	KC720 KC720.X **
Tension	60V  Max***
Matériau de la plateforme	Acier renforcé -1.8 mm
Largeur de coupe	47 cm
Vitesse auto-tractée maximale	6.4 km/h
Hauteur de coupe	20-80 mm
Positions de hauteur de coupe	7
Capacité de collecte d'herbe	70 L
Degré de protection	IPX4
Autonomie en fonctionnement	70min@11Ah****
Poids de la machine (outil seulement)	38 kg

** X = 1-999 ,A-Z , M1-M9, la seule différence entre ces modèles est que les clients visés sont différents. Il n'y a pas de changement concernant la sécurité.

*** Tension mesurée sans charge. La tension de la batterie initiale atteint un maximum de 60 volts. La tension nominale est de 54 volts.

**** L'autonomie en fonctionnement peut varier en fonction des conditions d'utilisation de l'outil et de l'état de l'herbe. Le niveau de la vitesse de coupe sélectionné affecte l'autonomie de la batterie. Plus le niveau de la vitesse de coupe est faible, plus l'autonomie en fonctionnement est longue.

BATTERIES ET CHARGEURS CONSEILLÉS

Battery	Capacity	Charger	Amperage
KAC810	11 Ah	KAC840	30 A

Nous vous recommandons d'acheter vos accessoires auprès du même revendeur que celui qui vous a vendu l'outil. Reportez-vous à l'emballage des accessoires pour plus de détails. Votre revendeur peut vous aider et vous conseiller.

CARACTÉRISTIQUES TECHNIQUES DU BLOC DE BATTERIE (EN OPTION)

Bandes de fréquences pour Bluetooth	2400-2483.5 MHz
Puissance d'émission maximale pour Bluetooth	8 dBm

INFORMATIONS RELATIVES AU BRUIT

Niveau de pression acoustique $L_{pA} = 83.2 \text{ dB(A)}$

$K_{pA} = 3 \text{ dB(A)}$

Niveau de puissance acoustique $L_{wA} = 95.84 \text{ dB(A)}$

$K_{wA} = 0.65 \text{ dB(A)}$

Porter des protections auditives.



INFORMATIONS RELATIVES AUX VIBRATIONS

Valeur de vibration mesurée $a_n < 2.5 \text{ m/s}^2$

Incertitude $K = 1.5 \text{ m/s}^2$

AVERTISSEMENT: La valeur d'émission de vibrations pendant l'utilisation réelle de l'outil électrique peut différer de la valeur déclarée selon la manière dont l'outil est utilisé, selon les exemples suivants et d'autres variations sur la manière dont l'outil est utilisé:

Comment l'outil est utilisé et quels matériaux sont coupés ou percés.

L'outil est en bon état et bien entretenu.

L'utilisation du bon accessoire pour l'outil et

l'assurance qu'il est affûté et en bon état.

La bonne tenue des poignées et, le cas échéant, les accessoires anti-vibrations utilisés.

L'outil est utilisé comme prévu dans sa conception et dans le présent mode d'emploi.

Cet outil peut causer un syndrome des vibrations main-bras s'il n'est pas correctement géré.

AVERTISSEMENT: Pour être précise, une évaluation du niveau d'exposition en conditions réelles d'utilisation doit également tenir compte de toutes les parties du cycle d'utilisation telles que les moments où l'outil est éteint, et ceux où il fonctionne au ralenti mais ne réalise pas réellement de tâche. Ceci peut réduire de manière significative le niveau d'exposition et la durée d'utilisation totale.


Afin de minimiser le risque d'exposition aux vibrations: Utilisez TOUJOURS des burins, des forets et des lames affûtés.

Entretenez cet outil de manière conforme au mode d'emploi et maintenez-le lubrifié (le cas échéant).

Si l'outil doit être utilisé régulièrement, investissez dans des accessoires anti-vibrations.

Planifiez votre travail pour étaler l'utilisation des outils à forte vibration sur plusieurs jours.

PROTECTION DE L'ENVIRONNEMENT

 Les déchets d'équipements électriques et électroniques ne doivent pas être déposés avec les ordures ménagères. Ils sont collectés pour être recyclés dans des centres spécialisés. Consultez les autorités locales ou votre revendeur pour obtenir des renseignements sur l'organisation de la collecte.

F

DECLARATION DE CONFORMITE

Nous,
Positec Germany GmbH
Postfach 680194, 50704 Cologne, Germany

Positec déclare que le produit
Description **Tondeuse à gazon à batterie**
Modèle **KC720 KC720.X (720 - Désignation de la machine, modèle de tondeuse autotractée avec carter en acier renforcé)**
Fonction **Tondeuse à gazon**

Est conforme aux directives suivantes,
2006/42/EC, 2014/30/EU, 2011/65/EU & (EU)
2015/863, 2000/14/EC amendée par 2005/88/EC

2000/14/EC amendée par 2005/88/EC:
- Procédure d'évaluation de la conformité conformément à **Annex VI**
- Niveau de pression acoustique **95.84 dB (A)**
- Niveau d'intensité acoustique **96 dB (A)**

Notification réalisée par
Nom: TÜV Rheinland LGA Products GmbH
(Organisme notifié 0197)
Adresse: Tillystraße 2-90431 Nürnberg

F

Et conforme aux normes,
EN 62841-1, EN IEC 62841-4-3, EN ISO 3744, EN IEC 55014-1, EN IEC 55014-2, EN IEC 63000

La personne autorisée à compiler le dossier technique,
Nom Marcel Filz
Adresse Positec Germany GmbH
Postfach 680194, 50704 Cologne, Germany



2024/02/05
Allen Ding
Ingénieur en chef adjoint, Essais & Certification
Positec Technology (China) Co., Ltd
18, Dongwang Road, Suzhou Industrial
Park, Jiangsu 215123, P. R. China

INDICE

Introduzione.....	59
Elementi dell'apparecchio.....	61
Sicurezza del prodotto.....	62
Montaggio e funzionamento.....	66
Trasporto.....	70
Manutenzione	71
Pulizia.....	72
Conservazione.....	73
Risoluzione dei problemi.....	74
Dati tecnici.....	75
Tutela ambientale.....	76
Dichiarazione di conformità.....	77

INTRODUZIONE

Gentile Cliente,

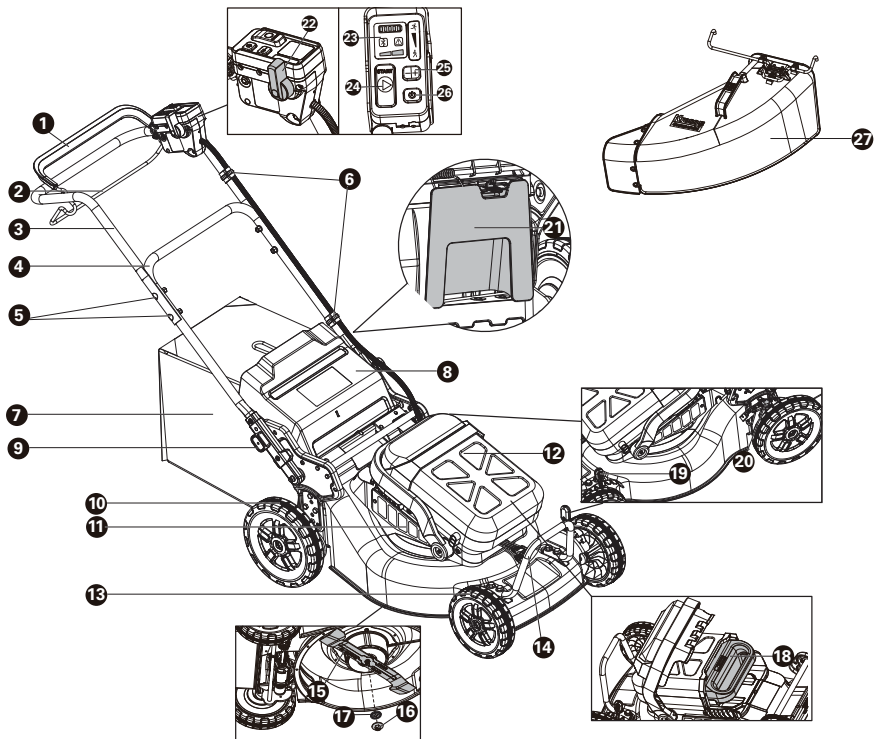
Grazie per aver acquistato questo prodotto Kress Commercial. Ci dedichiamo allo sviluppo di prodotti di alta qualità per soddisfare le vostre esigenze relative alla progettazione dei giardini.

Il marchio Kress è sinonimo di un servizio di prima qualità. Se avete domande o dubbi, per tutta la durata di utilizzo dei prodotti, nel corso degli anni, vi preghiamo di contattare il rivenditore presso il quale avete acquistato il prodotto, o il nostro Servizio clienti per ricevere assistenza.

Siamo sicuri che le piacerà lavorare con il suo prodotto Kress per gli anni a venire.

USO CONFORME ALLE NORME

Questo prodotto è destinato alla tosatura commerciale del prato.



ELEMENTI DELL'APPARECCHIO

1. BARRA OPERATIVA (INSERIMENTO DELLE LAME)

2. BARRA DI INSERIMENTO DELLA TRAZIONE

3. MANIGLIA SUPERIORE

4. FISSAGGI DELLA MANIGLIA

5. FISSAGGI DELLA MANIGLIA

6. FERMACAVO

7. CONTENITORE DI RACCOLTA DELL'ERBA

8. ALETTA DI SICUREZZA

9. MANOPOLA DI REGOLAZIONE DELL'ALTEZZA

10. RUOTA POSTERIORE

11. FILTRO DELL'ARIA

12. COPERTURA DEL VANO BATTERIA

13. RUOTA ANTERIORE

14. PROTEZIONE DEL MOTORE

15. LAMA

16. BULLONE DELLA LAMA

17. DISTANZIATORE

18. PACCO BATTERIA*

19. LEVA DI REGOLAZIONE DELL'ALTEZZA DI TAGLIO ANTERIORE

20. LEVA DI REGOLAZIONE DELL'ALTEZZA DI TAGLIO POSTERIORE

21. TAPPO MULCHING

22. CONTROLLO DELLA VELOCITÀ DI AVANZAMENTO

23. INDICATORI LED

24. PULSANTE DI AVVIO DELLA LAMA DI TAGLIO

25. CONTROLLO DELLA VELOCITÀ DI TAGLIO

26. INTERRUTTORE ON/OFF

27. SCIVOLO DI SCARICO LATERALE*

* Accessori illustrati o descritti non fanno necessariamente parte del volume di consegna.

ISTRUZIONI ORIGINALI SICUREZZA DEL PRODOTTO AVVISI GENERALI PER LA SICUREZZA E PER LA SICUREZZA DEGLI UTENSILI A MOTORE



AVVERTENZA: Leggere tutte le avvertenze di sicurezza, le istruzioni, le illustrazioni e le specifiche fornite con questo elettroutensile. La mancata osservanza delle istruzioni elencate di seguito potrebbe provocare una scossa elettrica, un incendio e/o lesioni gravi.

Conservare tutti gli avvisi e le istruzioni per poterle consultare quando necessario. Il termine qui di seguito utilizzato «utensile elettrico» si riferisce ad utensili elettrici alimentati dalla rete (con linea di allacciamento), nonché ad utensili elettrici alimentati a batterie (senza linea di allacciamento).

1) Posto di lavoro

- a) **Mantenere pulito ed ordinato il posto di lavoro.** Il disordine e le zone di lavoro non illuminate possono essere fonte di incidenti.
- b) **Evitare d'impiegare l'utensile in ambienti soggetti al rischio di esplosioni nei quali si trovino liquidi, gas o polveri infiammabili.** Gli utensili elettrici producono scintille che possono far infiammare la polvere o i gas.
- c) **Mantenere lontani i bambini ed altre persone durante l'impiego dell'utensile elettrico.** Eventuali distrazioni potranno comportare la perdita del controllo sull'utensile.

2) Sicurezza elettrica

- a) **La spina per la presa di corrente dovrà essere adatta alla presa. Evitare assolutamente di apportare modifiche alla spina. Non impiegare spine adattatrici assieme ad utensili con collegamento a terra.** Le spine non modificate e le prese adatte allo scopo riducono il rischio di scosse elettriche.
- b) **Evitare il contatto fisico con superfici collegate a terra, come tubi, riscaldamenti, cucine elettriche e frigoriferi.** Sussiste un maggior rischio di scosse elettriche nel momento in cui il corpo è messo a massa.
- c) **Non utilizzare la macchina in condizioni di pioggia o umidità.** Questo potrebbe aumentare il rischio di scosse elettriche.
- d) **Non usare il cavo per scopi diversi da quelli previsti al fine di trasportare o appendere l'apparecchio, oppure di togliere la spina dalla presa di corrente. Mantenere l'utensile al riparo da fonti di calore, dall'olio, dagli spigolio da parti di strumenti in movimento.** I cavi danneggiati o aggrovigliati aumentano il

rischio d'insorgenza di scosse elettriche.

- e) **Qualora si voglia usare l'utensile all'aperto, impiegare solo ed esclusivamente cavi di prolunga omologati per l'impiego all'esterno.** L'uso di un cavo di prolunga omologato per l'impiego all'esterno riduce il rischio d'insorgenza di scosse elettriche.
 - f) **Se si deve utilizzare l'utensile a motore in un luogo umido, utilizzare una fonte di alimentazione con protezione a corrente residua.** L'uso di un dispositivo a corrente residua riduce il rischio di folgorazioni elettriche.
- 3) **Sicurezza delle persone**
 - a) **È importante concentrarsi su ciò che si sta facendo e a maneggiare con giudizio l'utensile elettrico durante le operazioni di lavoro.** Non utilizzare l'utensile in caso di stanchezza o sotto l'effetto di droghe, bevande alcoliche e medicinali. Un attimo di distrazione durante l'uso dell'utensile potrà causare lesioni gravi.
 - b) **Indossare sempre equipaggiamento protettivo individuale, nonché guanti protettivi.** Se si avrà cura d'indossare equipaggiamento protettivo individuale come la maschera antipolvere, la calzatura antidrucciolevole di sicurezza, il casco protettivo o la protezione dell'udito, a seconda dell'impiego previsto per l'utensile elettrico, si potrà ridurre il rischio di ferite.
 - c) **Evitare avviamenti involontari. Controllare che l'interruttore sia nella posizione off prima di effettuare il collegamento a una sorgente di alimentazione/batteria, e prima di sollevare o trasportare l'utensile.** Il fatto di tenere il dito sopra all'interruttore o di collegare l'utensile acceso all'alimentazione di corrente potrà essere causa di incidenti.
 - d) **Togliere gli attrezzi di regolazione o la chiave inglese prima di accendere l'utensile.** Un utensile o una chiave inglese che si trovino in una parte di strumento in rotazione potranno causare lesioni.
 - e) **È importante non sopravvalutarsi. Avere curati mettersi in posizione sicura e di mantenere l'equilibrio.** In tale maniera sarà possibile controllare meglio l'apparecchio in situazioni inaspettate.
 - f) **Indossare indumenti adeguati. Evitare di indossare vestiti non aderenti o gioielli.** Tenere i capelli e gli indumenti lontani dalle parti mobili. Vestiti lenti, gioielli o capelli lunghi potranno impigliarsi in pezzi in movimento.
 - g) **Se sussiste la possibilità di montare dispositivi di aspirazione o di captazione della polvere, assicurarsi che gli stessi siano stati installati correttamente e vengano utilizzati senza errori.** L'impiego dei suddetti dispositivi diminuisce il pericolo rappresentato dalla polvere.
 - h) **Non lasciare che la familiarità acquisita con l'utilizzo frequente dell'elettroutensile**

si trasformi in autocompiacimento e trascuratezza dei principi di sicurezza.

Un'azione imprudente può causare lesioni gravi entro una frazione di secondo.

- 4) **Maneggio ed impiego accurato di utensili elettrici**
 - a) **Non sovraccaricare l'utensile. Impiegare l'utensile elettrico adatto per svolgere il lavoro.** *Utilizzando l'utensile elettrico adatto si potrà lavorare meglio e con maggior sicurezza nell'ambito della gamma di potenza indicata.*
 - b) **Non utilizzare utensili elettrici con interruttori difettosi.** *Un utensile elettrico che non si può più accendere o spegnere è pericoloso e dovrà essere riparato.*
 - c) **Scolleghere la spina dalla sorgente di alimentazione e/o la batteria dall'utensile prima di effettuare regolazione, cambiare accessori, o riporre gli utensili a motore.** *Tale precauzione eviterà che l'apparecchio possa essere messo in funzione inavvertitamente.*
 - d) **Custodire gli utensili elettrici non utilizzati al di fuori della portata dei bambini. Non fare usare l'apparecchio a persone che non sono abituate ad usarlo o che non abbiano letto le presenti istruzioni.** *Gli utensili elettrici sono pericolosi se utilizzati da persone inesperte.*
 - e) **Effettuare accuratamente la manutenzione dell'apparecchio.** *Verificare che le parti mobili dello strumento funzionino perfettamente e non s'incepino, che non ci siano pezzi rotti o danneggiati al punto tale da limitare la funzione dell'apparecchio stesso. Far riparare le parti danneggiate prima d'impiegare l'apparecchio. Numerosi incidenti vengono causati da utensili elettrici la cui manutenzione è stata effettuata poco accuratamente.*
 - f) **Mantenere affilati e puliti gli utensili da taglio.** *Gli utensili da taglio curati con particolare attenzione e con taglienti affilati s'inceppano meno frequentemente e sono più facili da condurre.*
 - g) **Utilizzare utensili elettrici, accessori, attrezzi, ecc. in conformità con le presenti istruzioni e secondo quanto previsto per questo tipo specifico di apparecchio.** *Osservare le condizioni di lavoro ed il lavoro da eseguirsi durante l'impiego. L'impiego di utensili elettrici per usi diversi da quelli consentiti potrà dar luogo a situazioni di pericolo.*
 - h) **Mantenere le impugnature e le superfici di presa asciutte, pulite e prive di olio e grasso.** *Le impugnature e le superfici di presa scivolose non permettono l'uso e il controllo sicuri dell'elettrotensile in situazioni impreviste.*
- 5) **Maneggio ed impiego accurato di accumulatori**
 - a) **Caricare la batteria solo ed esclusivamente nei dispositivi di carica consigliati dal produttore.** *Per un dispositivo di carica previsto per un determinato tipo di batteria, sussiste pericolo di incendio, se utilizzato con un alimentatore di tipo diverso.*
- 6) **Utilizzare negli utensili elettrici solo ed esclusivamente le batterie previste allo scopo.** *L'uso di batterie di tipo diverso potrà dare insofferenza a lesioni e comportare il rischio d'incendi.*
- 7) **Tenere la batteria non utilizzata lontana da graffette, monete, chiavi, chiodi, viti o da altri oggetti in metallo di piccole dimensioni che potrebbero causare un ponte tra i contatti.** *Un eventuale corto circuito tra i contatti della batteria potrà dare origine a bruciaciture o ad incendi.*
- 8) **In caso di impiego sbagliato, potranno insorgere fuoriuscite di liquido dalla batteria. Evitarne il contatto. In caso di contatto casuale, sciacquare con acqua.** *Qualora il liquido dovesse entrare in contatto con gli occhi, chiedere immediato consiglio al medico. Il liquido fuoriuscito dalla batteria potrà causare irritazioni cutanee o bruciaciture.*
- 9) **Non utilizzare una batteria o un elettrotensile danneggiati o modificati.** *Le batterie danneggiate o modificate potrebbero manifestare un comportamento imprevedibile con la possibilità di causare un'esplosione o un incendio.*
- 10) **Non esporre una batteria o un utensile al fuoco o a temperature elevate.** *L'esposizione al fuoco o a una temperatura superiore a 130 °C potrebbe provocare un'esplosione.*
- 11) **Seguire tutte le istruzioni per la carica e non caricare la batteria o l'elettrotensile a una temperatura che non rientri nell'intervallo di valori specificato nelle istruzioni.** *Una ricarica effettuata in maniera scorretta o a una temperatura che non rientra nell'intervallo di valori specificato, potrebbe danneggiare la batteria aumentando il rischio d'incendio.*
- 12) **Assistenza**
 - a) **Fare riparare l'apparecchio solo ed esclusivamente da personale specializzato e solo impiegando pezzi di ricambio originali.** *In tale maniera potrà essere salvaguardata la sicurezza dell'apparecchio.*
 - b) **Non riparare le batterie danneggiate.** *Gli interventi di riparazione sulle batterie devono essere eseguiti dal costruttore o da fornitori di assistenza autorizzati.*

AVVERTENZE DI SICUREZZA RELATIVE AL TOSAERBA

- a) **Non usare il tosaerba in condizioni di maltempo, in particolare quando sussiste il rischio di fulmini.** *In tal modo si riduce il rischio di essere colpiti da un fulmine.*
- b) **Ispezionare accuratamente l'area in cui si deve utilizzare il tosaerba, per individuare**

la presenza di eventuali animali selvatici. Gli animali selvatici potrebbero restare feriti durante il funzionamento del tosaerba.

- c) **Ispezionare accuratamente l'area in cui si deve utilizzare il tosaerba, e rimuovere pietre, bastoni, cavi, ossa e altri oggetti estranei.** Tali oggetti potrebbero essere scagliati e causare lesioni personali.
- d) **Prima di utilizzare il tosaerba, controllare sempre visivamente che la lama e i componenti di assemblaggio della lama non siano usurati o danneggiati.** Le parti usurate o danneggiate accrescono il rischio di lesioni.
- e) **Controllare frequentemente che il raccogliore dell'erba non sia usurato o deteriorato.** Un raccogliore dell'erba usurato o danneggiato può accrescere il rischio di lesioni personali.
- f) **Tenere le parti di protezione al loro posto. Le protezioni devono essere funzionanti e montate correttamente.** Una protezione allentata, danneggiata o che non funziona correttamente può causare lesioni personali.
- g) **Tenere tutte le prese dell'aria di raffreddamento libere da detriti.** Le prese d'aria ostruite e i detriti possono causare surriscaldamento o rischio di incendio.
- h) **Durante l'utilizzo del tosaerba, indossare sempre calzature antiscivolo e protettive. Non utilizzare il tosaerba a piedi nudi o indossando sandali.** In tal modo si riduce il rischio di lesioni ai piedi dovute al contatto con la lama in movimento.
- i) **Durante l'utilizzo del tosaerba, indossare sempre pantaloni lunghi.** L'assenza di protezione aumenta il rischio di danni a causa del lancio di oggetti o corpi estranei
- j) **Non utilizzare il tosaerba sull'erba bagnata. Camminare, mai correre.** In questo modo si riduce il rischio di scivolare e cadere, con conseguenti lesioni personali.
- k) **Non utilizzare il tosaerba su superfici eccessivamente in pendenza.** In tal modo si riduce il rischio di perdere il controllo, di scivolare e di cadere, con conseguenti lesioni personali.
- l) **Quando si lavora su superfici in pendenza, assicurarsi sempre di avere una buona presa sul terreno, lavorare sempre in senso trasversale, mai in salita o in discesa, e prestare la massima attenzione durante il cambio di direzione.** In tal modo si riduce il rischio di perdere il controllo, di scivolare e di cadere, con conseguenti lesioni personali.
- m) **Prestare la massima attenzione quando si inverte la direzione o si tira il tosaerba verso di sé. Prestare sempre attenzione all'ambiente circostante.** In tal modo si riduce il rischio di inciampare durante il funzionamento.
- n) **Non toccare le lame e le altre parti mobili pericolose quando sono ancora in movimento.** In tal modo si riduce il rischio di lesioni dovute alle parti in movimento.
- o) **Durante la rimozione del materiale incastrato**

o la pulizia del tosaerba, assicurarsi che tutti gli interruttori siano spenti e che la batteria sia stata scollegata. L'attivazione accidentale del tosaerba può causare gravi lesioni personali.

SICUREZZA DELLA BATTERIA

ISTRUZIONI PER LA SICUREZZA DEL PACCO BATTERIA

- a) **Non smontare, aprire o strappare le celle secondarie o il pacco batteria.**
- b) **Non cortocircuitare un pacco batteria. Non conservare un pacco batteria disordinatamente in una scatola o un cassetto in cui potrebbero cortocircuitarsi tra essi o essere cortocircuitati da altri oggetti metallici.** Quando il pacco batteria non è in uso, tenerlo lontano da altri oggetti metallici come graffette, monete, chiavi, chiodi, viti e altri piccoli oggetti metallici, potrebbe avverarsi un collegamento tra i due terminali. Collegare i terminali della batteria potrebbe causare incendi o ustioni.
- c) **Non esporre il pacco batteria a calore o fuoco. Evitare di conservarli alla luce diretta del sole.**
- d) **Non sottoporre il pacco batteria a scosse meccaniche.**
- e) **In caso di perdite da una cella, evitare che il liquido entri in contatto con la pelle o gli occhi.** In caso di contatto, lavare l'area interessata con abbondante acqua e consultare un medico.
- f) **Tenere le celle e il pacco batteria puliti e asciutti.**
- g) **Pulire i terminali delle celle e del pacco batteria con un panno pulito e asciutto nel caso in cui si sporchino.**
- h) **Il pacco batteria deve essere caricato prima dell'uso. Utilizzare sempre il caricatore corretto e consultare le istruzioni.**
- i) **Non lasciare un pacco batteria in carica se non in uso.**
- j) **Dopo lunghi periodi di conservazione, potrebbe essere necessario caricare e scaricare le celle o il pacco batteria diverse volte per ottenere le massime prestazioni.**
- k) **Ricaricare solo con il caricatore specificato da Kress. Non utilizzare caricatori diversi da quelli forniti per l'uso specifico con l'apparecchiatura.**
- l) **Non utilizzare un pacco batteria non progettato per l'uso con l'apparecchiatura.**
- m) **Tenere il pacco batteria fuori dalla portata dei bambini.**
- n) **Conservare i documenti originali del prodotto per riferimenti futuri.**
- o) **Rimuovere la batteria dall'apparecchiatura, se non in uso.**
- p) **Smaltire adeguatamente.**
- q) **Non mischiare batterie di diverse marche, capacità, dimensioni o tipologia nello stesso dispositivo.**

- r) Tenere la batteria lontano da microonde e alta pressione.
 s) **Attenzione! Non utilizzare batterie non ricaricabili.**

REQUISITI DEL MANUALE D'USO PER IL PRODOTTO WIRELESS

- a) Il funzionamento di questo dispositivo è soggetto alla due seguenti condizioni:
 (1) Questo dispositivo non deve causare interferenze pericolose, e
 (2) questo dispositivo deve accettare qualsiasi interferenza ricevuta, incluse quelle che potrebbero causare un funzionamento indesiderato.
- b) **Attenzione:** Cambiamenti o modifiche a questa unità non espressamente approvate dai responsabili in materia di conformità potrebbero invalidare il diritto dell'utente ad utilizzare l'apparecchiatura.
- c) **NOTA:** Questa apparecchiatura genera, utilizza e può irradiare energia a radiofrequenza e, se non installata e utilizzata in conformità alle istruzioni, può causare interferenze dannose alla comunicazione radio. Tuttavia, non vi è alcuna garanzia che non si verifichino interferenze in una installazione specifica. Se questo dispositivo causa interferenze dannose alla ricezione radio o televisiva, che possono essere individuate spegnendo e riaccendendo il dispositivo, l'utente è incoraggiato a cercare di correggere l'interferenza eseguendo una o più delle seguenti misure:
- Riorientare o spostare l'antenna ricevente.
 - Accrescere la distanza tra l'apparecchiatura e il ricevitore.
 - Collegare l'apparecchiatura ad una presa su un circuito diverso da quello al quale è collegato il ricevitore.
 - Consultare il rivenditore o un tecnico radiotelevisivo esperto.

SIMBOLI

	Per ridurre il rischio di lesioni, l'utente deve leggere il manuale di istruzioni
	AVVERTENZA
	AVVERTENZA – Attenzione agli oggetti che possono essere scagliati – tenere le persone a distanza

	AVVERTENZA – Non avvicinare mani e piedi alle lame
	AVVERTENZA – Prima di effettuare la manutenzione, scollegare la batteria
	Le lame continuano a ruotare anche dopo lo spegnimento dell'attrezzo. Prima di toccarle, attendere fino a quando le parti in movimento della macchina si sono completamente arrestate.
	Indossare guanti protettivi.
	Rimuovere la batteria dalla presa prima di eseguire qualsiasi regolazione, riparazione o intervento di manutenzione.
	Se smaltite in maniera scorretta, le batterie potrebbero entrare nel ciclo dell'acqua, con conseguenti rischi per l'ambiente. Non smaltire le batterie esaurite nei rifiuti generici.
	Non bruciare
	Alta velocità
	Bassa velocità
	Batteria agli ioni di litio (Li-Ion). Questo prodotto è stato contrassegnato con un simbolo riguardante la raccolta differenziata per tutti i pacchi batteria. La batteria sarà poi riciclata o demolita allo scopo di ridurre l'impatto ambientale. I pacchi batteria possono costituire un pericolo per l'ambiente e per la salute umana in quanto contengono sostanze pericolose.



I prodotti elettrici non possono essere gettati tra i rifiuti domestici. L'apparecchio da rottamare deve essere portato al centro di riciclaggio per un corretto trattamento. Controllare con le autorità locali o con il rivenditore per localizzare il centro di riciclaggio più vicino.

MONTAGGIO E FUNZIONAMENTO



NOTA: Prima di utilizzare l'utensile, leggere attentamente il manuale d'uso.

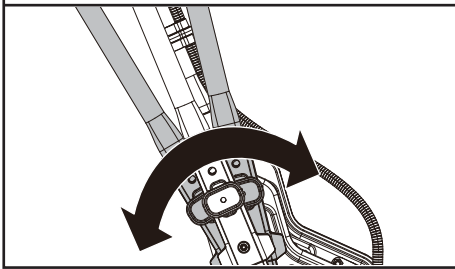


PRIMA DEL FUNZIONAMENTO

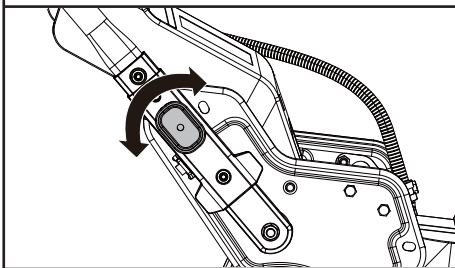
Regolazione dell'altezza della maniglia e montaggio delle maniglie inferiori. (Vedere Fig. A1, A2)

3. È possibile selezionare 3 livelli di altezza. Selezionare l'altezza appropriata e ruotare la manopola di regolazione dell'altezza.

A1

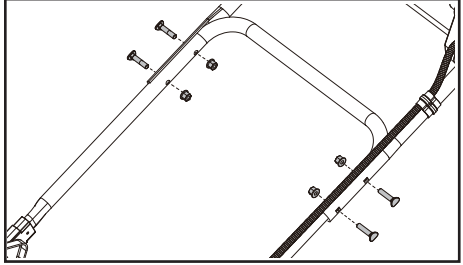


A2



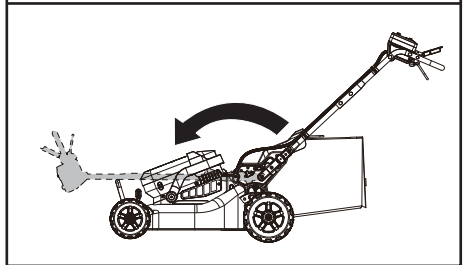
Montaggio della maniglia superiore. (Vedere Fig. A3)

A3



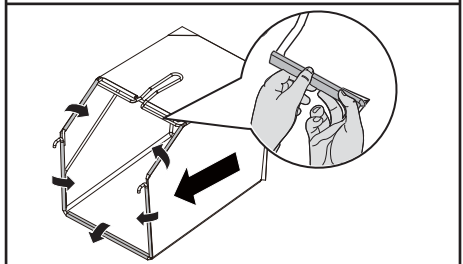
NOTA: Le maniglie possono essere ripiegate per il trasporto o la conservazione fuori stagione. (Vedere Fig. A4)

A4



Montaggio del sacco di raccolta dell'erba (Vedere la Fig. B1)

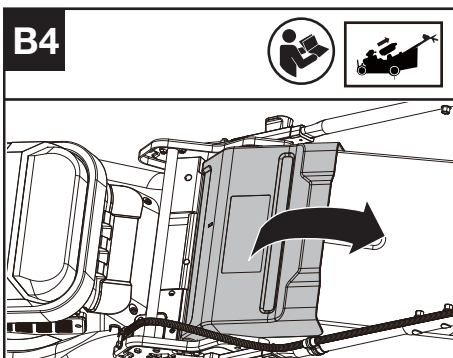
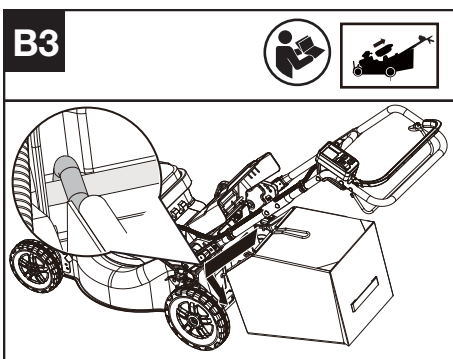
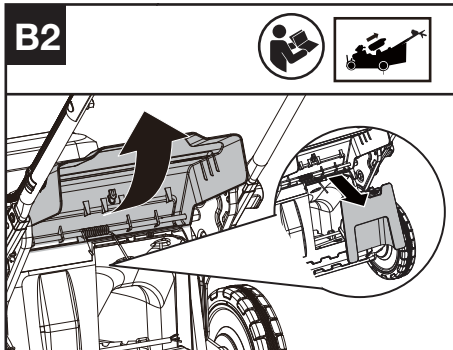
B1



Montaggio del sacco di raccolta dell'erba sul tosaerba (Vedere la Fig. B2,B3,B4)

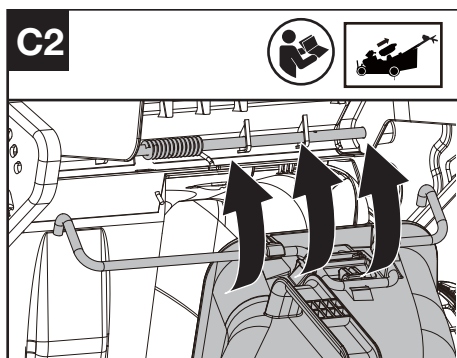
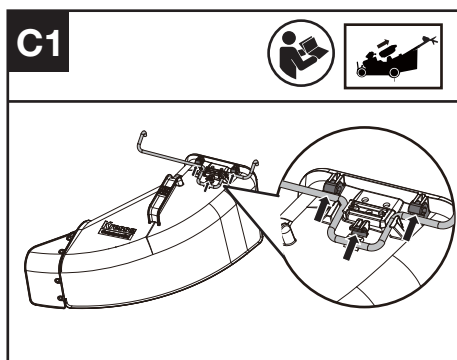
NOTA: Abbassare leggermente il cesto di raccolta dell'erba per assicurarsi che sia completamente installato.

NOTA: Togliere il tappo mulching dal tosaerba prima di montare il sacco di raccolta dell'erba.



Montaggio dello scivolo di scarico laterale sul tosaerba (vedere Fig. C1, C2)

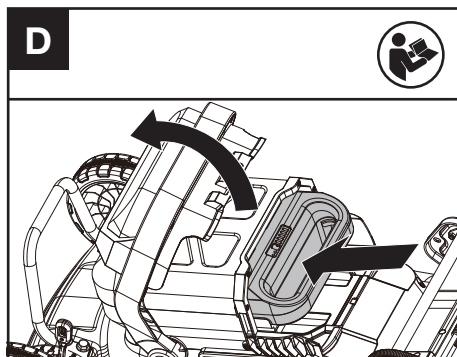
NOTA: Prima di montare lo scivolo di scarico laterale, estrarre il tappo di pacciamatura dal tosaerba e rimuovere il sacco di raccolta dell'erba.



Controllare lo stato di carica della batteria e caricare il pacco batteria.

NOTA: Le batterie vengono spedite non caricate. La batteria deve essere completamente carica prima della prima tosatura. Per maggiori dettagli, consultare il manuale della batteria e del caricabatterie.

Montaggio/rimozione della batteria (Vedere Fig. D)



Controllo dei comandi

1. Rimuovere la batteria.
2. Premere l'interruttore on/off, il pulsante di avvio della lama di taglio o il comando della velocità di taglio. Se l'interruttore on/off, il pulsante di avvio della lama di taglio o il comando della velocità di taglio si bloccano e non riescono a tornare nella posizione originale, smettere di usare il tosaerba e contattare il servizio di assistenza.
3. Tirare e rilasciare la leva di inserimento lame e la leva di trazione. Se le leve si bloccano o non tornano nella posizione originale, non utilizzare il tosaerba e contattare il servizio di assistenza.
4. Agire sul regolatore di velocità. Se dovesse rimanere bloccato, non utilizzare il tosaerba e rivolgersi al servizio di assistenza.

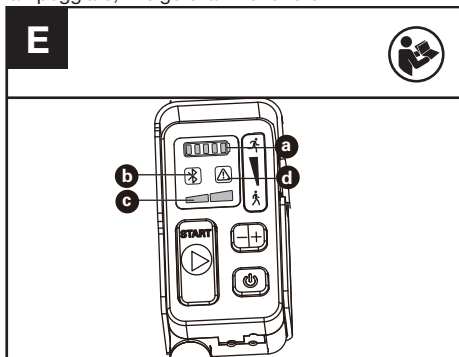
Controllo del display (Vedere fig. E)

1. Inserire la batteria.
2. Tenere premuto l'interruttore on/off. L'indicatore della batteria (a) e l'indicatore della velocità di taglio (c) si accendono.
3. Premere il pulsante di avvio della lama di taglio e tirare la barra operativa per avviare la macchina.
4. Se l'indicatore di avvertimento (b) lampeggia, fare riferimento a **Risoluzione dei problemi** per le soluzioni.
5. Rilasciare la barra operativa. La lama smette di ruotare dopo un breve ritardo. Se il tosaerba non si spegne, rimuovere la batteria e contattare il servizio di assistenza.

Indicatori LED

- | | |
|----|-------------------------------------|
| a. | INDICATORE DELLA BATTERIA |
| b. | INDICATORE BLUETOOTH |
| c. | INDICATORE DELLA VELOCITÀ DI TAGLIO |
| d. | INDICATORE DI AVVERTIMENTO |

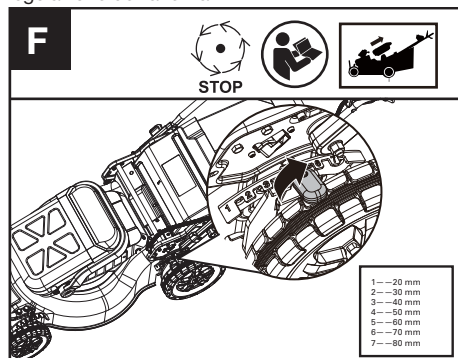
NOTA: La spia lampeggia in rosso o in giallo quando la macchina non funziona correttamente. Se la spia rossa lampeggia, rivolgersi al rivenditore. Se la luce gialla lampeggia, spegnere la macchina, rimuovere il pacco batteria, quindi reinserire il pacco batteria e accendere la macchina. Se la luce gialla continua a lampeggiare, rivolgersi al rivenditore.



Regolazione dell'altezza di taglio (Vedere Fig. F)

Regolare l'altezza di taglio tramite le leve di regolazione dell'altezza di taglio della ruota anteriore e posteriore.

NOTA: Assicurarsi che le ruote anteriori e posteriori siano mantenute nella stessa posizione durante la regolazione dell'altezza.



AVVERTENZA! Arrestare, rilasciare la barra di sicurezza e attendere che il motore si arresti prima di regolare l'altezza. Le lame continuano a ruotare una volta spenta l'apparecchiatura, una lama in rotazione può provocare ferite. Non toccare le lame in rotazione.

FUNZIONAMENTO

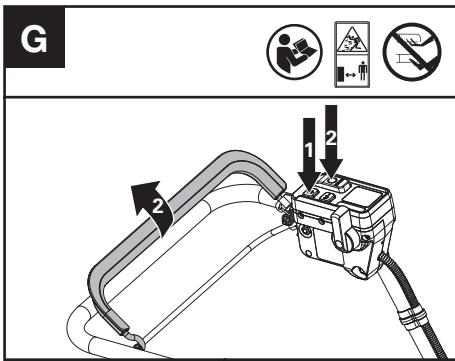
Avvio e arresto del tosaerba (vedere fig. G)

1. Premere l'interruttore on/off
2. Premere il pulsante di avvio della lama da taglio (Hold Down) e tirare l'impugnatura per avviare la macchina.
3. Rilasciare la barra operativa per fermarsi.

ATTENZIONE! La lama continua a ruotare anche dopo lo spegnimento del tosaerba; attendere che si arresti completamente.

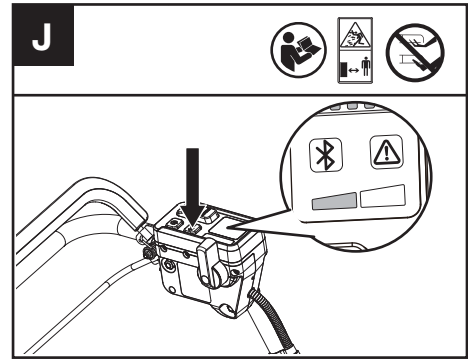
NOTA: Per l'avviamento, premere il pulsante di avvio della lama di taglio e tirare contemporaneamente la barra operativa

NOTA: Mantenendo premuto l'interruttore on/off, il display si accende. Il display si spegne automaticamente se non viene eseguita alcuna operazione entro 60 secondi.



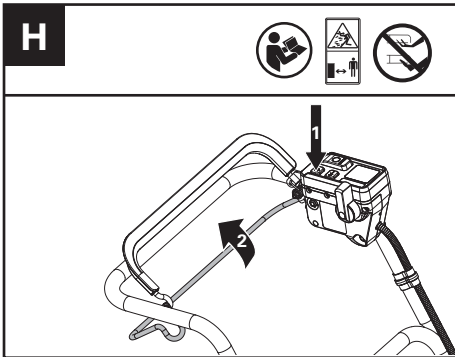
Selezione della velocità di taglio (Vedere Fig. J)

È possibile selezionare 2 livelli di velocità di taglio a seconda dell'applicazione. Utilizzare i tasti +/- per controllare la velocità, indicata dagli indicatori LED. Più alto è il livello di velocità di taglio, più veloce è l'utensile.

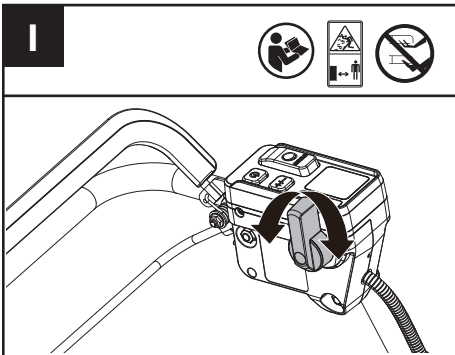


Funzionamento del sistema di trazione (Vedere la Fig. H)

1. Premere l'interruttore on/off
2. Tirare la barra di inserimento della trazione per avviare la trazione.
3. Rilasciare la barra di inserimento della trazione per fermarsi.



Selezione della velocità di avanzamento (Vedere Fig. I)



SUGGERIMENTI PER IL TAGLIO

Il tagliaerba è stato realizzato per tagliare l'erba in parti molto piccole e distribuirla sul prato. In condizioni normali, l'erba tagliata si bio-degrada rapidamente trasformandosi in concime per il prato.

- 1) Evitare di tagliare quando l'erba è bagnata. L'erba bagnata può formare ammassi che interferiscono con il mulching e possono ridurre l'autonomia di lavoro della batteria.
- 2) Per avere le prestazioni migliori, impostare l'altezza di taglio in modo che si tagli circa un terzo della lunghezza delle foglie del prato, la situazione ideale è di non tagliare più di 40mm alla volta. Se il prato è troppo cresciuto, potrebbe essere necessario aumentare l'altezza di taglio per ridurre la spinta ed evitare di sovraccaricare il motore. Nel caso di taglio intensivo, si consiglia prima di tagliare utilizzando un'altezza maggiore e poi eseguire un secondo taglio all'altezza desiderata. Altrimenti, fare dei tagli più profondi e avanzare lentamente.
- 3) Per ottenere prestazioni ottimali, mantenere la scocca del tosaerba libero dall'accumulo di erba. Di tanto in tanto spegnere il tosaerba e attendere che le lame si fermino completamente. Rimuovere le batterie e girare il tosaerba su un lato. Con un oggetto, ad esempio un bastone, eliminare l'erba accumulata intorno alla zona delle lame. Fare attenzione ai bordi affilati della lama. Pulire spesso l'area della lama quando si taglia erba fresca o bagnata e ogni volta che si usa la macchina.
- 4) Alcuni tipi di prato o di condizioni del prato potrebbero rendere necessario un secondo passaggio del decespugliatore per poter disperdere completamente l'erba sul prato. Se si rendesse necessario un secondo taglio, si raccomanda di procedere ad un taglio perpendicolare al primo taglio. **NON CAMBIARE**

IL TIPO/ORIENTAMENTO DEL TAGLIO SE QUESTO COSTRINGE AD EFFETTUARE UN TAGLIO VERSO IL BASSO DI UNA SUPERFICIE COLLINARE.

- 5) Cambiare ogni settimana il tipo di taglio. In questo modo si evita di rovinare il prato.
- 6) Non tagliare su pendenze superiori a 18°

AREA DI TAGLIO

L'area di taglio può essere influenzata da diversi fattori, come altezza di taglio, umidità del manto erboso, lunghezza dell'erba e densità. Inoltre, avviare e arrestare il tosaerba troppe volte durante l'uso può contribuire a ridurre l'autonomia e, di conseguenza, l'area di taglio.

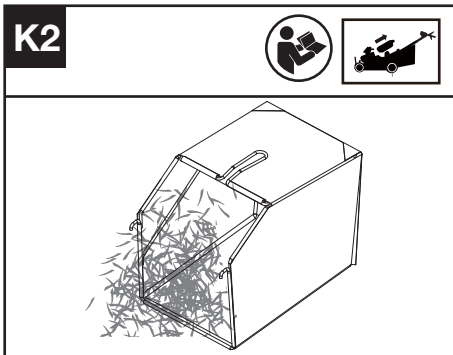
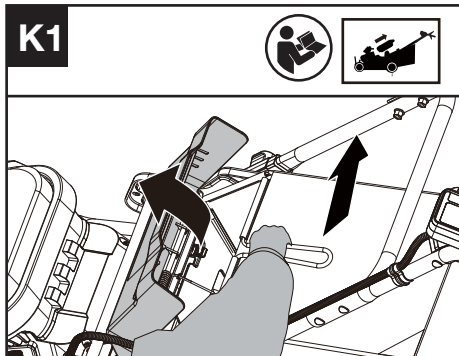
La seguente tabella descrive il rapporto tra condizioni di taglio e area di taglio.

SUGGERIMENTO:

- 1) si consiglia di tagliare l'erba frequentemente, procedere a un'andatura normale e non avviare/arrestare il tosaerba troppo spesso durante l'uso.
- 2) Per ottenere prestazioni ottimali, assicurarsi che la batteria sia completamente carica e tagliare sempre 1/3 o meno dell'altezza dell'erba. Si consiglia di installare una nuova lama prima dell'inizio della stagione di taglio.
- 3) Procedere più lentamente quando si deve tagliare erba più alta, così da ottenere un taglio più efficace e consentire lo scarico dell'erba tagliata.
- 4) Evitare di tagliare erba bagnata, in quanto potrebbe aderire alle superfici interne del piatto di taglio e ostacolare raccolta o scarico dell'erba tagliata.
- 5) In caso di erba fresca o spessa, impostare un'altezza di taglio maggiore per prolungare la durata delle batterie.

Rimozione/svuotamento del sacco di raccolta dell'erba (Vedere Fig. K1, K2)

⚠ ATTENZIONE! Prima dell'uso, verificare sempre che lo sportello di sicurezza abbia chiuso l'uscita di scarico. Non sollevare mai lo sportello di sicurezza né rimuovere il tappo mulching quando il tosaerba viene utilizzato senza il sacco di raccolta dell'erba montato.



PER GLI UTENSILI A BATTERIA

L'intervallo di temperatura ambiente consigliato per lo scarico è di -20 °C -45 °C (-4 °F-113 °F). La temperatura ambientale raccomandata per il caricabatterie durante la ricarica è di -5 °C-45 °C (23 °F-113 °F).

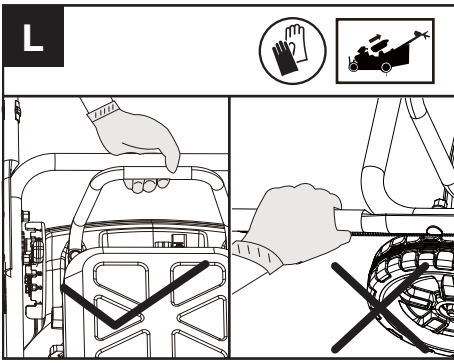
Dettagli sullo smaltimento sicuro delle batterie usate:

Al termine del ciclo di vita dell'apparecchio, rimuovere il pacco batterie in modo sicuro prima di smaltire l'apparecchio. Non gettare le batterie né gettarle nel normale bidone della spazzatura. Inoltre non smaltire la batteria insieme all'apparecchio. Rimuovere la batteria usata dell'apparecchio e smaltirla presso il centro di riciclaggio più vicino o più conveniente o in un centro di riciclaggio dedicato. In caso di dubbio, consultare l'ufficio locale per la tutela dell'ambiente. Le batterie possono entrare nel ciclo dell'acqua se smaltite in modo improprio, il che può essere pericoloso per l'ecosistema. Non smaltire i rifiuti delle batterie come rifiuti urbani non differenziati.

TRASPORTO

Trasportare il tosaerba

1. Spegner il tosaerba e rimuovere la batteria.
2. Quando si trasporta il tosaerba, è possibile utilizzare la funzione di guida automatica senza bloccare la lama di taglio.
3. Per sollevare il tosaerba, si consiglia di farlo fare a due persone da ciascun lato del tosaerba, utilizzando come maniglie la protezione del motore e le aree di collegamento della maniglia inferiore. (Vedere Fig. L)



Trasporto della batteria

1. Assicurarsi che la batteria sia in condizioni di sicurezza.
2. Utilizzare imballaggi non conduttivi durante il trasporto della batteria.
3. Le batterie agli ioni di litio contenute sono soggette ai requisiti della legislazione sulle merci pericolose. Trasportare le batterie solo quando l'alloggiamento della batteria non è danneggiato. Imballare le batterie in modo che non possano spostarsi all'interno dell'imballaggio.

MANUTENZIONE

⚠ ATTENZIONE! Fermare il tosaerba e togliere la batteria prima di rimuovere il sacco di raccolta dell'erba.

NOTE: Per garantire una vita di servizio più lunga ed affidabile, è necessario attenersi con regolarità alle seguenti procedure di manutenzione. Verificare la presenza di difetti oggettivi, quali lame allentate, fuori sede o danneggiate, fissaggi lenti e componenti usurati o guasti. Accertarsi che tutte le coperture e le protezioni siano in buon ordine e correttamente agganciate al tosaerba. Eseguire ogni necessaria operazione di manutenzione o riparazione prima di utilizzare l'apparecchio. Qualora i problemi persistano nonostante una manutenzione regolare, rivolgersi al nostro servizio assistenza clienti per eventuali consigli e suggerimenti.

AFFILATURA DELLA LAMA

MANTENERE LA LAMA AFFILATA PER OTTENERE PRESTAZIONI OTTIMALI DEL TOSAERBA. UNA LAMA USATA NON TAGLIA L'ERBA IN MODO PULITO E NON ESEGUE IL MULCHING IN MODO CORRETTO.

INDOSSARE PROTEZIONI PER GLI OCCHI E GUANTI ANTITAGLIO DURANTE LA RIMOZIONE, L'AFFILATURA E L'INSTALLAZIONE DELLA LAMA.

NOTA: Affilare o sostituire la lama ogni 50 ore. La sabbia fa sì che la lama si consumi rapidamente. Se il vostro prato ha un terreno sabbioso, potrebbe essere necessaria un'affilatura o una sostituzione più frequentemente.

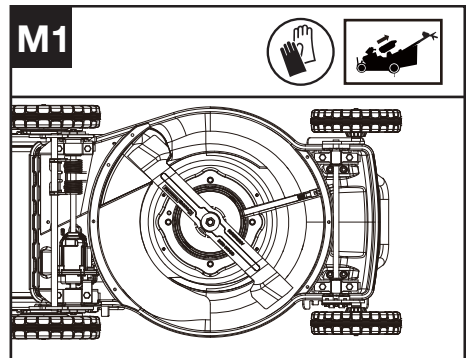
SOSTITUIRE IMMEDIATAMENTE LA LAMA SE PIEGATA O DANNEGGIATA.

QUANDO SI AFFILA LA LAMA

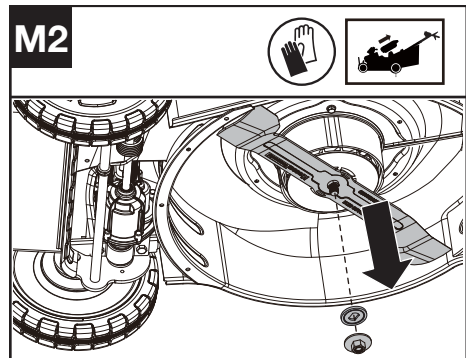
1. Utilizzare un blocco di legno per impedire alla lama di girare.
2. Utilizzando una presa e una chiave inglese, rimuovere il bullone della lama e quindi la lama. (Vedere la sezione sulla rimozione della lama)
3. Fissare la lama in una morsa, o simile, per evitare che si muova durante l'affilatura.
4. Affilare i bordi taglienti su entrambe le estremità della lama. Assicurarsi che la stessa quantità di materiale venga rimossa da entrambe le estremità per mantenere la lama bilanciata.
5. Controllare il bilanciamento della lama. (Vedere la sezione sul bilanciamento della lama)
6. Riposizionare la lama nell'ordine inverso rispetto allo smontaggio.
7. Assicurarsi di stringere il bullone della lama alla coppia richiesta (25 Nm).

NOTA:

1. Assicurarsi che il tosaerba sia spento e rimuovere la batteria.
2. Inclinare il tosaerba su un fianco come mostrato nella figura M1

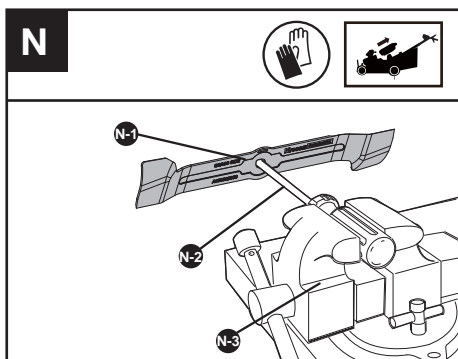


RIMOZIONE DELLA LAMA (VEDERE FIG. M2)



EQUILIBRATURA DELLA LAMA (VEDI FIG. N)

Verificare l'equilibratura della lama posizionando il foro centrale della lama N-1 su un giravite N-2, bloccati in orizzontale su una morsa N-3. Se una delle estremità della lama ruota verso il basso deve essere limata. La lama è bene equilibrata quando nessuna delle due estremità va in basso.



SOSTITUZIONE DELLA LAMA

-Si consiglia di sostituire le diverse lame del tosaerba in base alle diverse condizioni di lavoro per una migliore esperienza d'uso.

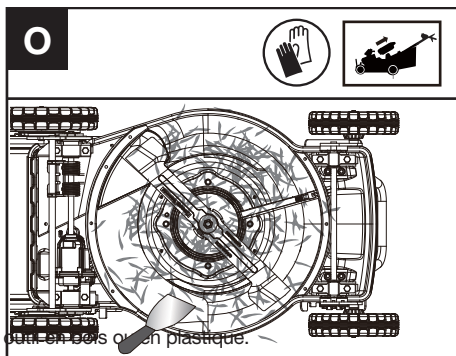
LAMA	FUNZIONE
Lama ad alto sollevamento	Consigliata per la raccolta nel sacco
Lama Gator	Consigliata per la pacciamatura

PULIZIA

1. Fermare il tosaerba e rimuovere la batteria.
2. Non utilizzare detergenti o solventi aggressivi. Pulire l'apparecchio dopo l'uso con un panno umido immerso in un detergente neutro.
3. Mantenere la presa libera da corpi estranei e pulire con una spazzola morbida e asciutta o un panno.
4. Non spruzzare acqua sul motore e sui componenti elettrici.
5. Non usare l'idropulitrice per pulire l'apparecchio.

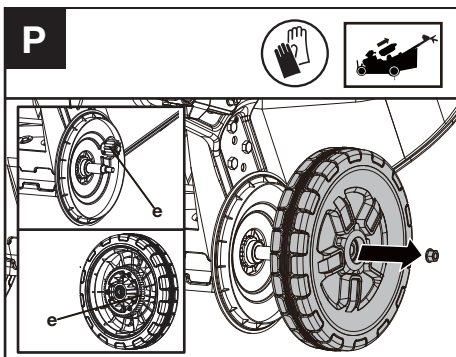
Pulizia della piastra e della zona delle lame. (Vedere Fig. O)

Pulire l'erba tagliata e i detriti dalla piastra e dall'area della lama. Se l'erba tagliata è compattata nell'area, rimuoverla con un attrezzo di legno o di plastica.



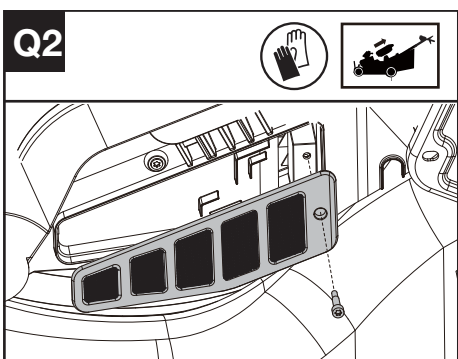
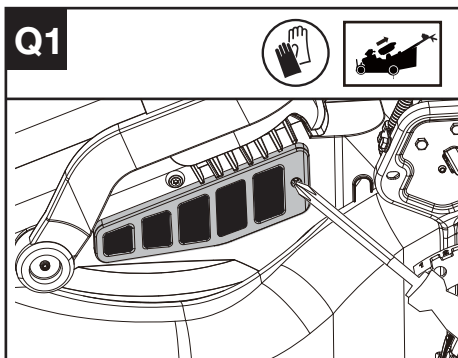
Pulizia delle ruote. (Vedere Fig. P)

- Fermare il tosaerba e rimuovere la batteria.
- Pulire le ruote ogni 50 ore o più frequentemente in condizioni estreme.
- Rimuovere le ruote posteriori e pulire i residui di erba tagliata e i detriti dalla zona delle ruote.
- Si consiglia di applicare una piccola quantità di grasso antigrippaggio agli ingranaggi (e) dopo la pulizia.



Pulizia del filtro dell'aria (Vedi Fig. Q1, Q2)

1. Pulire l'area intorno al filtro dell'aria. Utilizzare un panno umido o una spazzola morbida.
2. Svitare e rimuovere il filtro dell'aria.
3. Lavare il filtro dell'aria con acqua corrente per rimuovere lo sporco.
4. Lasciare asciugare il filtro dell'aria all'aria, quindi installarlo nell'alloggiamento stringendo la vite.



CONSERVAZIONE

1. Fermare il tosaerba e rimuovere la batteria.
2. Pulire accuratamente l'esterno della macchina utilizzando una spazzola morbida e un panno. Non utilizzare solventi o lucidanti. Rimuovere tutta l'erba e i detriti, in particolare dalle fessure di ventilazione, dalla piastra di pacciatura, dalla zona delle lame e dalle ruote.
3. Riporre l'apparecchio in un luogo asciutto, fuori dalla portata dei bambini e di altre persone non autorizzate. Non posizionare altri oggetti sopra la macchina.
4. Per facilitare la conservazione, ripiegare la barra della maniglia.
5. Conservare la batteria solo a una temperatura compresa tra 5 °C (41 °F) e 25 °C (77 °F). Ad esempio, non lasciare la batteria nell'auto durante il periodo estivo.
6. Una volta bagnata dalla pioggia durante il funzionamento, la macchina e la batteria devono essere asciugate prima di riportle o caricarle. Rimuovere la batteria e reinserirla se la macchina non si accende.

RISOLUZIONE DEI PROBLEMI

Nella tabella seguente sono riportati i problemi e le azioni che è possibile eseguire se la macchina non funziona correttamente.




ATTENZIONE: Spegnerla macchina e rimuovere la batteria prima di qualsiasi risoluzione dei problemi.

Problema	Soluzione
1. La falciatrice non funziona quando viene attivata la leva di sicurezza.	A. Verificare che il pulsante di avvio della lama di taglio sia completamente premuto. B. Rilasciare la leva operativa per spegnere il tosaerba. Rimuovere la batteria, girare il tosaerba e verificare che la lama sia libera di girare. Se non riesce a ruotare liberamente, rivolgersi a un centro di assistenza autorizzato. La lama deve girare liberamente. C. La batteria è stata completamente caricata? Collegare il caricabatterie e attendere l'accensione della spia verde. D. Per l'avviamento, premere contemporaneamente il pulsante di avvio della lama di taglio e tirare la barra operativa.
2. Il motore si spegne durante la falciatura.	A. Rilasciare la leva operativa per spegnere il tosaerba. Rimuovere la batteria, capovolgere il tosaerba per verificare se è intasato da residui di erba, rimuovere i residui dall'area di rotazione della lama. Quindi, verificare che la lama sia libera di girare. Se non riescono a ruotare liberamente, restituirli a un centro di assistenza autorizzato. La lama deve girare liberamente. B. Regolare l'altezza di taglio delle ruote sulla posizione più alta e accendere il tosaerba. C. La batteria è stata caricata completamente? Collegare il caricabatterie e attendere che si accenda la spia verde. D. Evitare di sovraccaricare il tosaerba. Rallentare la velocità di taglio oppure aumentare l'altezza di taglio, oppure applicare entrambe le misure.
3. Il motore si spegne durante la falciatura o non riesce a tagliare tutto il prato.	A. La batteria è stata caricata completamente? Collegare il caricabatterie e attendere che si accenda la spia verde. B. Rilasciare la barra operativa per spegnere il tosaerba. Rimuovere la batteria. Capovolgere il tosaerba e controllare: Lama non affilata - Mantenere la lama affilata. Il piano e lo scivolo di scarico non sono intasati. C. Le ruote possono essere state regolate a un'altezza troppo bassa per le condizioni dell'erba. Aumentare l'altezza di taglio.
4. Il tosaerba è troppo duro da spingere.	A. Aumentare l'altezza di taglio per ridurre la resistenza della scocca sull'erba. Controllare che ogni ruota giri liberamente.
5. Il tosaerba fa rumore e vibra più del solito.	A. Rilasciare la leva operativa per spegnere il tosaerba. Rimuovere la batteria. Girare il tosaerba su un lato e controllare la lama per assicurarsi che non sia piegata o danneggiata. Se la lama è danneggiata, sostituirla con una lama di ricambio. Se la parte inferiore della scocca è danneggiata, portare il tosaerba a un centro di assistenza autorizzato. B. Se la lama non presenta danni visibili e il tosaerba continua a vibrare: Rilasciare la leva operativa per spegnere il tosaerba, togliere la batteria e rimuovere la lama. Ruotare la lama di 180 gradi e riavvitarla. Se il tosaerba continua a vibrare, portarlo presso un centro di assistenza autorizzato.
6. I LED del caricabatterie non si accendono.	A. Controllare la connessione. B. Sostituire il caricabatterie.

7. I LED del caricabatterie non diventa verde.	A. La batteria deve essere esaminata. Portarla in un centro di assistenza autorizzato.
8. Il rasaerba non raccoglie lo sfalciato nel sacco.	A. Scivolo posteriore intasato. Rilasciare la leva operativa per spegnere il tosaerba. Rimuovere la batteria. Liberare lo scivolo dall'erba tagliata. B. Troppa erba tagliata. Aumentare l'altezza di taglio delle ruote per ridurre la lunghezza del taglio. C. Sacco pieno. Svuotare il sacco più frequentemente.
9. Durante il taglio mulching si vedono sfalci evidenti.	A. Viene tagliata troppa erba. Sollevare l'altezza di taglio delle ruote per accorciare la lunghezza del taglio. Non tagliare più di 1/3 della lunghezza totale. B. Verificare l'affilatura della lama. Mantenere la lama sempre affilata. C. Ridurre la velocità se l'erba è alta o molto fitta.
10. Tempo di funzionamento ridotto dopo molti utilizzi.	A. Riportare la macchina in un centro di assistenza autorizzato: potrebbe essere necessaria una nuova batteria.
11. L'indicatore di avviso lampeggia.	A. Spegnerla la macchina e rimuovere il pacco batteria, quindi rimontare il pacco batteria e accendere la macchina. B. Contattare il servizio di assistenza

DATI TECNICI

Codice: **KC720 KC720.X (720-designazione del macchinario, rappresentativo del tosaerba SP con piatto in acciaio rinforzato)**

	KC720 KC720.X **
Velocità di taglio	60V  Max***
Materiale della piastra	acciaio rinforzato -1.8 mm
Ampiezza di taglio	47 cm
Max. Velocità SP	6.4 km/h
Altezza di taglio	20-80 mm
Posizioni dell'altezza di taglio	7
Capacità di raccolta dell'erba	70 L
Grado di protezione	IPX4
Tempo di funzionamento	70min@11Ah****
Peso del macchinario (utensile a vuoto)	38 kg

** X = 1-999 ,A-Z , M1-M9 solo per clienti diversi, non ci sono cambiamenti rilevanti sicuri tra questi modelli.

*** Voltaggio misurato senza carico. Il voltaggio iniziale della batteria raggiunge un massimo di 60 volt. Il voltaggio nominale è di 54 volt.

**** Il tempo di funzionamento può variare a seconda dell'uso dell'utensile e delle condizioni dell'erba. Il livello di velocità di taglio selezionato influisce sull'autonomia della batteria. Più basso è il livello di velocità di taglio, più lungo è il tempo di esecuzione.

BATTERIE E CARICABATTERIE CONSIGLIATI

Batteria	Capacità	Caricabatteria	Amperage
KAC810	11 Ah	KAC840	30 A

Si consiglia di acquistare gli accessori presso lo stesso rivenditore presso il quale è stato acquistato l'utensile.

Per ulteriori dettagli, consultare la confezione degli accessori. Il rivenditore può fornirvi assistenza e consigliarvi.

DATI TECNICI DEL PACCO BATTERIE (OPZIONALE)

Banda di frequenza per Bluetooth	2400-2483.5 MHz
Potenza Massima Trasmessa per Bluetooth	8 dBm

INFORMAZIONI SUL RUMORE

Pressione acustica ponderata	$L_{pA} = 83.2 \text{ dB(A)}$
K_{pA}	3 dB(A)
Potenza acustica ponderata	$L_{wA} = 95.84 \text{ dB(A)}$
K_{wA}	0.65 dB(A)

Indossare protezione per le orecchie



INFORMAZIONI SULLA VIBRAZIONE

Vibrazione ponderata tipica	$a_n < 2.5 \text{ m/s}^2$
Incertezza	$K = 1.5 \text{ m/s}^2$

AVVERTENZA: Il valore delle vibrazioni emesse durante il reale utilizzo dello strumento può differire dal valore dichiarato in base ai modi con cui viene usato lo strumento, ai seguenti esempi e ad altre variabili:

Come viene usato l'apparecchio e i materiali tagliati o forati.

Le condizioni e la buona manutenzione dello strumento.

L'uso dell'accessorio corretto per il taglio e la sua affilatura, nonché le sue buone condizioni.

La stretta sull'impugnatura e l'eventuale utilizzo di accessori antivibrazione.

L'adeguatezza dell'utilizzo dell'utensile rispetto a quanto previsto.

Questo strumento potrebbe causare la sindrome da vibrazioni mano-braccio se il suo utilizzo non viene gestito correttamente.

AVVERTENZA: Per essere precisi, una stima del livello di esposizione nelle attuali condizioni

di utilizzo dovrebbe anche tenere conto di tutte le parti del ciclo operativo, come le volte in cui lo strumento viene spento e il tempo in cui viene lasciato girare a vuoto senza realmente fare il suo lavoro. Questo potrebbe ridurre significativamente il livello di esposizione sul periodo di lavoro totale. Un aiuto a minimizzare il proprio rischio di esposizione alle vibrazioni.


USARE sempre lame affilate.

Conservare questo strumento sempre in conformità a queste istruzioni e mantenerlo ben lubrificato (dove appropriato).

Se lo strumento deve essere usato regolarmente, investire in accessori antivibrazione.

Pianificare il programma di lavoro in modo da suddividere i lavori che implicano le maggiori vibrazioni nell'arco di più giorni.

TUTELA AMBIENTALE

 I prodotti elettrici non possono essere gettati tra i rifiuti domestici. L'apparecchio da rottamare deve essere portato al centro di riciclaggio per un corretto trattamento. Controllare con le autorità locali o con il rivenditore per localizzare il centro di riciclaggio più vicino.

DICHIARAZIONE DI CONFORMITÀ

Noi,
Positec Germany GmbH
Postfach 680194, 50704 Cologne, Germany

A nome di Positec si dichiara che il prodotto,
Descrizione **Tosaerba a batteria**
Codice **KC720 KC720.X (720-designazione del macchinario, rappresentativo del tosaerba SP con piatto in acciaio rinforzato)**
Funzione **Falciatura prati**

È conforme alle seguenti direttive,
2006/42/EC, 2014/30/EU, 2011/65/EU & (EU) 2015/863, 2000/14/EC modificata dalla 2005/88/EC

2000/14/EC modificata dalla 2005/88/EC:
- Procedura di conformità come da **Annex VI**
- Potenza acustica pesata **95.84 dB (A)**
- Massima potenza di rumore garantita **96 dB (A)**

L'organismo competente
Nome: TÜV Rheinland LGA Products GmbH
(organismo notificato 0197)
Indirizzo: Tillystraße 2-90431 Nürnberg

conforme a,
EN 62841-1, EN IEC 62841-4-3, EN ISO 3744, EN IEC 55014-1, EN IEC 55014-2, EN IEC 63000

Il responsabile autorizzato alla compilazione della documentazione tecnica,
Nome Marcel Filz
Indirizzo Positec Germany GmbH
Postfach 680194, 50704 Cologne, Germany



2024/02/05
Allen Ding
Vice capo ingegnere, testing e certificazione
Positec Technology (China) Co., Ltd
18, Dongwang Road, Suzhou Industrial
Park, Jiangsu 215123, P. R. China

ÍNDICE

Introducción.....	78
Lista de componentes.....	80
Seguridad del producto.....	81
Montaje y funcionamiento.....	85
Transporte.....	90
Mantenimiento.....	90
Limpieza.....	91
Almacenamiento.....	92
Solución de problemas.....	93
Datos técnicos.....	94
ES Protección ambiental.....	95
Declaración de conformidad.....	96

INTRODUCCIÓN

Estimado cliente,

Gracias por confiar en Kress Commercial.

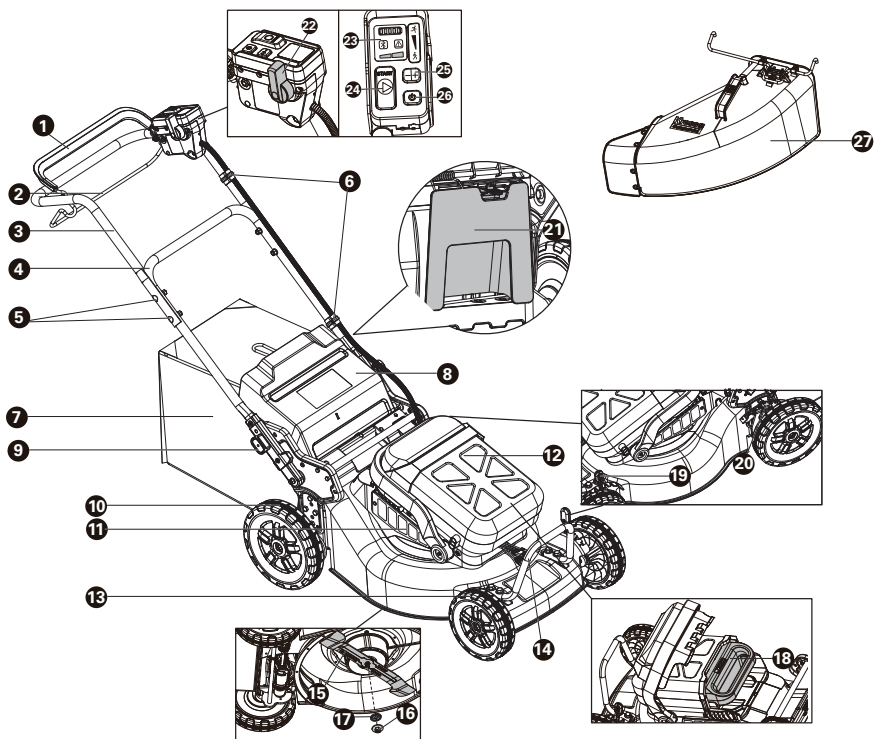
En Kress, nos dedicamos a desarrollar soluciones de alta calidad para satisfacer sus necesidades de jardinería profesional.

La marca Kress es sinónimo de calidad premium. Si durante los años en que va a poder usar los productos Kress le surgen preguntas o dudas, puede ponerse en contacto con el distribuidor o con nuestro Equipo de Atención al Cliente para obtener ayuda.

Con la confianza en que va a disfrutar usando su producto Kress durante largo tiempo.

USO INDICADO

Este producto está pensado para cortar el césped comercialmente.



LISTA DE COMPONENTES

1. FIADOR DE FUNCIONAMIENTO (ENGANCHE DE CUCHILLA)
2. FIADOR DE ENGANCHE DE AUTOPROPULSIÓN
3. MANILLAR SUPERIOR
4. MANILLAR INFERIOR
5. FIJACIONES DE MANILLAR
6. CLIP PARA CABLE
7. BOLSA DE RECOGIDA DE HIERBA
8. ALETA DE SEGURIDAD
9. MANDO DE AJUSTE DE ALTURA
10. RUEDA TRASERA
11. FILTRO DE AIRE
12. TAPA DEL COMPARTIMENTO DE BATERÍA
13. RUEDA DELANTERA
14. PROTECCIÓN DEL MOTOR
15. CUCHILLA
16. PERNO DE CUCHILLA
17. ESPACIADOR
18. PAQUETE DE BATERÍAS*
19. PALANCA DE AJUSTE DE ALTURA DE CORTE FRONTAL
20. PALANCA DE AJUSTE DE ALTURA DE CORTE TRASERO
21. CONEXIÓN DE MANTILLO
22. CONTROL DE VELOCIDAD DE AUTOPROPULSIÓN
23. INDICADORES LED
24. BOTÓN DE ENCENDIDO DE LA CUCHILLA
25. CONTROL DE VELOCIDAD DE CORTE
26. INTERRUPTOR DE ENCENDIDO/APAGADO
27. CANALÓN DE DESCARGA LATERAL*

* Los accesorios ilustrados o descritos pueden no corresponder al material suministrado de serie con el aparato.

MANUAL ORIGINAL SEGURIDAD DEL PRODUCTO ADVERTENCIA DE SEGURIDAD GENERALES SOBRE HERRAMIENTAS ELÉCTRICAS



¡ ADVERTENCIA: Lea todas las advertencias de seguridad, instrucciones, ilustraciones y especificaciones que acompañan a esta herramienta eléctrica.

Si no se respetan todas las instrucciones que se indican abajo, podría producirse una descarga eléctrica, un incendio o alguien podría resultar herido de gravedad.

Conserve todas las advertencias e instrucciones para futuras consultas.

El término "herramienta eléctrica" en todas las advertencias siguientes corresponde a la herramienta eléctrica con o sin cable.

1) ZONA DE TRABAJO

- a) **Mantener su lugar de trabajo limpio y bien iluminado.** Bancos de trabajo desordenados y lugares oscuros invitan a los accidentes.
- b) **No utilizar herramientas eléctricas en atmósferas explosivas, como por ejemplo en presencia de líquidos inflamables, gases o polvo.** Las herramientas eléctricas crean chispas que pueden encender el polvo o los vapores.
- c) **Mantener alejados a los niños y visitantes mientras opera una herramienta eléctrica.** Las distracciones pueden hacerle perder el control.

2) SEGURIDAD ELÉCTRICA

- a) **Los enchufes de la herramienta eléctrica deben encajar perfectamente en el tomacorriente.** Nunca modificar el enchufe de ninguna manera. No utilizar adaptadores con herramientas eléctricas conectadas a tierra. *Los enchufes no modificados y los que encajan perfectamente en el tomacorriente reducirán el riesgo de descarga eléctrica.*
- b) **Evitar el contacto del cuerpo con superficies conectadas a tierra tales como caños, radiadores, cocinas y heladeras.** Existe un riesgo creciente de descarga eléctrica si su cuerpo queda conectado a tierra.
- c) **No utilice la máquina en condiciones de humedad o lluvia.** Esto puede aumentar el riesgo de descarga eléctrica.
- d) **No abusar del cable.** Nunca utilizar el cable para transportar, tirar o desenchufar la herramienta eléctrica. Mantener el cable alejado del calor, del aceite, de bordes agudos o piezas móviles. *Los cables dañados o enredados aumentan el riesgo de descarga*

eléctrica.

- e) **Cuando utilice su herramienta eléctrica al aire libre, emplear un prolongador apto para uso en exteriores.** *El empleo de cables para uso al aire libre reduce el riesgo de descarga eléctrica.*
- f) **Si es necesario utilizar la herramienta motorizada en un lugar muy húmedo, utilice una fuente de alimentación con dispositivo de corriente residual (RCD).** *El uso de un RCD reduce el riesgo de descarga eléctrica.*

3) SEGURIDAD PERSONAL

- a) **Mantenerse alerta, poner atención en lo que está haciendo y utilice el sentido común mientras opera una herramienta eléctrica.** No emplear la herramienta cuando se encuentre cansado o bajo la influencia de drogas, alcohol o medicación. *Un momento de falta de atención durante el manejo de herramientas eléctricas puede dar lugar a daños corporales serios.*
- b) **Utilizar equipo de seguridad. Usar siempre protección ocular.** *Equipo de seguridad como máscaras contra el polvo, zapatos antideslizantes de seguridad, sombrero o protección auditiva para condiciones apropiadas reducirá daños corporales.*
- c) **Evite el arranque accidental. Asegúrese de que el interruptor se encuentra desactivado antes de enchufar la máquina o colocar la batería, al tomar la herramienta o transportarla.** *Transportar herramientas con el dedo en el interruptor o enchufar la herramienta cuando el interruptor está encendido invitan a los accidentes.*
- d) **Retire llaves de ajuste o llaves inglesas antes de poner la herramienta en funcionamiento.** *Una llave que queda unida a una pieza móvil de la herramienta puede originar daños corporales.*
- e) **No extralimitarse. Mantenerse firme y con buen equilibrio en todo momento.** *Esto permite un mejor control de la herramienta en situaciones inesperadas.*
- f) **Vestirse apropiadamente. No usar ropa suelta ni alhajas.** *Mantenga el pelo, la ropa y los guantes alejados de las piezas en movimiento. La ropa suelta, las alhajas o el cabello largo pueden ser atrapados por las piezas móviles.*
- g) **Si se proporcionan dispositivos para la extracción y recolección de polvo, asegurarse de que estos estén conectados y utilizados correctamente.** *El uso de estos dispositivos puede reducir peligros relacionados con el polvo.*
- h) **No permita que el hecho de estar familiarizado con el uso de herramientas le haga volverse descuidado o ignorar las normas de seguridad.** *La falta de atención puede provocar heridas graves en una fracción de segundo*

4) MANTENIMIENTO de la HERRAMIENTA

MOTORIZADA

- a) **No forzar la herramienta eléctrica. Utilizar la herramienta eléctrica correcta para su aplicación.** *La herramienta eléctrica correcta hará el trabajo mejor y más seguro a la velocidad para la cual fue diseñada.*
- b) **No utilizar la herramienta eléctrica si el interruptor no la enciende o apaga.** *Cualquier herramienta eléctrica que no pueda ser controlada con el interruptor es peligrosa y debe ser reparada.*
- c) **Desconecte el enchufe de la toma eléctrica y/o la batería de la herramienta antes de realizar cualquier ajuste, cambiar un accesorio o guardar la herramienta.** *Tales medidas de seguridad preventivas reducen el riesgo de arranque accidental de la herramienta.*
- d) **Mantener las herramientas eléctricas que no usa fuera del alcance de los niños y no permita que personas no familiarizadas con la herramienta o con estas instrucciones maneje la herramienta eléctrica.** *Las herramientas eléctricas son peligrosas en manos de usuarios inexpertos.*
- e) **Revisar las herramientas eléctricas. Comprobar si hay desalineamiento o atascamiento de piezas móviles, rotura de piezas en general y cualquier otra condición que pueda afectar la operación normal de la herramienta. Si se verifican daños, recurra a un service calificado antes de volver a usar la herramienta.** *Las herramientas mal mantenidas causan muchos accidentes.*
- f) **Mantener las piezas de corte limpias y afiladas.** *Puesto que son menos probables de atascarse y más fáciles de controlar.*
- g) **Utilizar la herramienta eléctrica, accesorios y brocas etc., de acuerdo con estas instrucciones y de la manera prevista para el tipo particular de herramienta eléctrica, teniendo en cuenta las condiciones de trabajo y el trabajo a ser realizado.** *El uso de la herramienta eléctrica para otras operaciones distintas de lo previsto podría dar lugar a una situación peligrosa.*
- h) **Mantenga las empuñaduras y las superficies de agarre secas, limpias y sin aceite ni grasa.** *Una empuñadura o una superficie de agarre resbaladiza dificultan la correcta manipulación y el control de la herramienta en situaciones imprevistas.*
- 5) UTILIZACIÓN Y MANTENIMIENTO DE LA BATERÍA**
- a) **Recargar solamente con el cargador indicado por el fabricante.** *Un cargador adaptado a un tipo de batería podría crear un riesgo de incendio si se utiliza con una diferente batería.*
- b) **Utilizar las herramientas eléctricas solamente con baterías especialmente adaptadas.** *La utilización de cualquier otra batería podría causar un riesgo de incendio o herida.*
- c) **Cuando la batería no está en uso, tenerla lejos de los objetos metálicos como los trombones, las piezas de moneda, las llaves, los clavos, los tornillos, o cualquier otro pequeño objeto metálico susceptibles de establecer una conexión de un terminal a otra.** *El cortocircuito de un terminal a otra puede causar quemaduras o un incendio.*
- d) **Hay una fuga de líquido de la batería. Evitar todo contacto. Si entre accidentalmente en contacto con este líquido, lavar con agua limpia.** *En caso de contacto con los ojos, consultar a un médico. El líquido presente en las baterías puede causar irritaciones o quemaduras.*
- e) **No utilice una batería o una herramienta que estén dañadas o hayan sido modificadas.** *Las baterías dañadas y modificadas pueden comportarse de forma imprevisible y provocar un incendio, una explosión o herir a alguien.*
- f) **No arroje una batería o herramienta al fuego ni las exponga a una temperatura excesiva.** *La exposición al fuego y a temperaturas superiores a 130 °C puede provocar una explosión.*
- g) **Respete todas las instrucciones de carga y no cargue la batería o la herramienta fuera del rango de temperatura especificado en las instrucciones.** *Una carga inadecuada o a una temperatura fuera del rango especificado puede ocasionar daños en la batería y aumentar el riesgo de incendio*
- 6) REPARACIÓN**
- a) **Permitir que el mantenimiento de su herramienta eléctrica sea efectuado por una persona calificada usando solamente piezas de recambio idénticas.** *Esto es primordial para mantener la seguridad de la herramienta eléctrica.*
- a) **No intente reparar nunca una batería dañada.** *Cualquier intervención técnica en una batería debe ser realizada exclusivamente por el fabricante o por un servicio técnico autorizado.*

ADVERTENCIAS SOBRE LA SEGURIDAD DEL CORTACÉSPED

- a) **No utilice el cortacésped en malas condiciones meteorológicas, especialmente si hay riesgo de rayos.** *Esto disminuye el riesgo de ser alcanzado por un rayo.*
- b) **Inspeccione minuciosamente si en la zona donde se vaya a usar el cortacésped hay vida salvaje.** *La vida salvaje puede resultar herida por el cortacésped durante el funcionamiento.*
- c) **Inspeccione minuciosamente la zona en la que se vaya a usar el cortacésped y retire piedras, palitos, alambres, huesos y otros objetos extraños.** *Los objetos lanzados pueden provocar lesiones personales.*
- d) **Antes de usar el cortacésped, inspeccione**

siempre visualmente para ver si la cuchilla y el conjunto de cuchilla están desgastados o dañados. Las piezas desgastadas o dañadas aumentan el riesgo de lesiones.
















- e) **Compruebe con frecuencia si el captador de césped tiene desgaste o deterioro.** Un captador de césped desgastado o dañado puede aumentar el riesgo de lesiones.
- f) **Mantenga los protectores en su sitio. Los protectores deben estar en condiciones de trabajo y montados correctamente.** Un protector suelto, dañado o que no funcione correctamente puede provocar lesiones.
- g) **Mantenga todas las entradas de aire de enfriamiento despejadas de restos.** Las entradas de aire bloqueadas y los restos pueden provocar recalentamiento o riesgo de fuego.
- h) **Cuando use el cortacésped, lleve siempre calzado protector y antideslizante. No use el cortacésped con los pies descalzos o llevando sandalias.** Esto reduce la posibilidad de lesiones en los pies si hacen contacto con las cuchillas en movimiento.
- i) **Cuando use el cortacésped, lleve siempre pantalones largos.** La piel expuesta aumenta la probabilidad de lesiones por objetos lanzados.
- j) **No use el cortacésped en césped húmedo. Se debe caminar, nunca correr.** Esto reduce el riesgo de resbalar y caerse, lo que puede provocar lesiones.
- k) **No use el cortacésped en pendientes excesivamente pronunciadas.** Esto reduce el riesgo de perder el control, resbalar y caerse, que podrían provocar lesiones.
- l) **Cuando trabaje en pendientes, asegúrese siempre de apoyar bien los pies, trabajar siempre a través de las pendientes, nunca hacia arriba o abajo, y tomar extrema precaución al cambiar de dirección.** Esto reduce el riesgo de perder el control, resbalar y caerse, que podrían provocar lesiones.
- m) **Tenga extrema precaución cuando cambie de sentido o tire del cortacésped hacia usted. Sea siempre consciente de lo que hay en los alrededores.** Esto reduce el riesgo de tropezar durante el funcionamiento.
- n) **No toque las cuchillas ni otras piezas móviles peligrosas si todavía están en movimiento.** Esto reduce el riesgo de lesionarse con dichas piezas móviles.
- o) **Cuando limpie el material atascado o el cortacésped, asegúrese de que todos los interruptores de encendido estén desactivados y que el paquete de baterías esté desconectado.** Un funcionamiento inesperado del cortacésped puede provocar lesiones grave.

SEGURIDAD DE LA BATERÍA ADVERTENCIAS DE SEGURIDAD PARA LA BATERÍA

- a) **No desmonte, abra o destruya las pilas o las baterías recargables.**
- b) **No provoque un cortocircuito en la batería. No almacene las baterías de forma descuidada en una caja o cajón donde podría provocar un cortocircuito entre ellas o mediante otros objetos metálicos.** Cuando la batería no esté siendo utilizada, manténgala alejada de objetos metálicos, como clips de papel, monedas, llaves, clavos, tornillos u otros objetos metálicos pequeños, que pueden posibilitar la conexión de un borne con otro. Al provocar un cortocircuito con los bornes de la batería se pueden sufrir quemaduras o generar un incendio.
- c) **No exponga las baterías al calor o al fuego. No las guarde expuestas directamente al sol.**
- d) **No exponga las baterías a impactos mecánicos.**
- e) **En caso de que la batería tenga fugas de líquido, no permita que el líquido entre en contacto con la piel o los ojos. Si se produce el contacto, lave la zona afectada con grandes cantidades de agua y acuda a un médico.**
- f) **Mantenga las baterías limpias y secas.**
- g) **Limpie los bornes de la batería con un paño limpio si se ensucian.**
- h) **Cargue la batería antes de utilizarla. Consulte siempre estas instrucciones y aplique el procedimiento de carga adecuado.**
- i) **No deje la batería cargándose durante prolongados períodos de tiempo cuando no se utilice.**
- j) **Después de prolongados períodos de almacenamiento, puede que sea necesario cargar y descargar la batería varias veces para obtener el máximo rendimiento.**
- k) **Recargue solo con el cargador indicado por Kress. No utilice ningún otro cargador que no sea el específicamente proporcionado para el uso con este equipo.**
- l) **No utilice ninguna batería distinta a la diseñada para utilizarse con el aparato.**
- m) **Mantenga la batería fuera del alcance de los niños.**
- n) **Conserve la documentación original del producto por si tuviera que consultarla en otro momento.**
- o) **Extraiga la batería del aparato cuando no lo utilice.**
- p) **Deshágase del producto correctamente.**
- q) **No se deben mezclar pilas de diferentes fabricantes, capacidad, tamaño o tipo en un mismo dispositivo.**
- r) **Mantener la batería lejos de microondas y alta presión.**
- s) **¡Advertencia! No utilizar pilas no recargables.**

REQUISITOS DEL MANUAL DE USUARIO PARA EL PRODUCTO INALÁMBRICO

- a) El funcionamiento de este dispositivo está sujeto a las siguientes condiciones:
 (1) Este dispositivo no puede causar interferencias perjudiciales, y
 (2) debe aceptar cualquier interferencia recibida, incluyendo las que puedan causar un funcionamiento indeseado.
- b) Precaución: Los cambios o modificaciones a este aparato que no estén expresamente aprobados por la parte responsable del cumplimiento podrían anular la autoridad del usuario para utilizar el equipo.
- c) NOTA: Este equipo genera, usa y puede radiar energía de radiofrecuencia y, si no se instala y usa de acuerdo con las instrucciones, puede causar interferencias perjudiciales para las comunicaciones de radio. Sin embargo, no se garantiza que no ocurran interferencias en una instalación particular. Si este equipo causa interferencias perjudiciales en la recepción de radio o televisión, lo cual puede determinarse apagando y encendiendo el equipo, se recomienda al usuario que intente corregir las interferencias mediante una o varias de las siguientes medidas:
- Reoriente o reubique la antena receptora.
 - Aumente la distancia entre el equipo y el receptor.
 - Conecte el equipo a una toma de corriente de un circuito diferente al que está conectado el receptor.
 - Consulte con el proveedor o un técnico con experiencia en radio/TV para obtener ayuda.

	ADVERTENCIA: Desconecte la batería antes del mantenimiento
	La cuchilla continúa rotando después de apagar la máquina. Espere hasta que todos los componentes de la misma se hayan detenido antes de tocarlos.
	Utilizar guantes de protección.
	Antes de realizar cualquier trabajo de ajuste, reparación o mantenimiento, desenchufe la batería de la toma.
	Las baterías pueden entrar en el ciclo del agua si se desechan incorrectamente, lo que puede ser peligroso para el ecosistema. No deseche las baterías usadas como residuos municipales sin clasificar.
	No incinerar
	Alta velocidad
	Baja velocidad
	Para reducir el riesgo de lesión, lea el manual de instrucciones
	ADVERTENCIA
	ADVERTENCIA: Tenga cuidado con los objetos lanzados; mantenga alejados a los transeúntes
	ADVERTENCIA: Mantenga las manos y los pies alejados de las cuchillas
	Batería de ión de litio. Este producto se ha marcado con un símbolo relacionado con la "colección separada" para todos los paquetes de baterías y paquetes de baterías. Luego se reciclará o desmontará para reducir el impacto en el medio ambiente. Los paquetes de baterías pueden ser peligrosos para el medio ambiente y para la salud humana, ya que contienen sustancias peligrosas.
	
	

SÍMBOLOS

	Para reducir el riesgo de lesión, lea el manual de instrucciones
	ADVERTENCIA
	ADVERTENCIA: Tenga cuidado con los objetos lanzados; mantenga alejados a los transeúntes
	ADVERTENCIA: Mantenga las manos y los pies alejados de las cuchillas



Los residuos de equipamientos eléctricos y electrónicos no deben depositarse con las basuras domésticas. Se recogen para reciclarse en centros especializados. Consulte las autoridades locales o su distribuidor para obtener información sobre la organización de la recogida.

MONTAJE Y FUNCIONAMIENTO



NOTA: Antes de utilizar la herramienta, lea atentamente el manual de instrucciones.

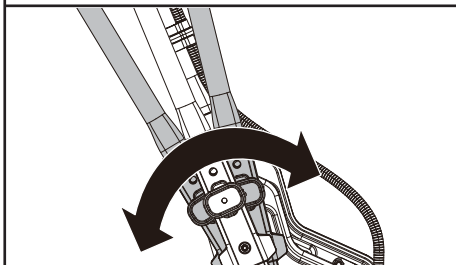
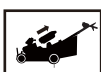


ANTES DEL USO:

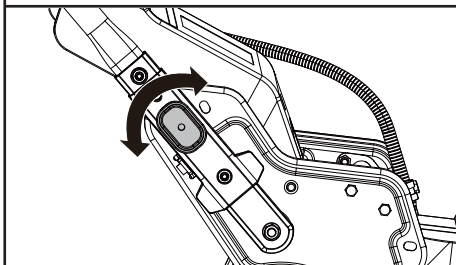
Ajuste de la altura del manillar y montaje del manillar inferior. (Véase la Fig. A1, A2).

Se pueden seleccionar 3 niveles de altura. Seleccione la altura adecuada y gire el mando de ajuste de altura.

A1

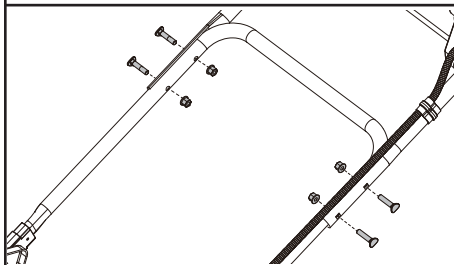


A2



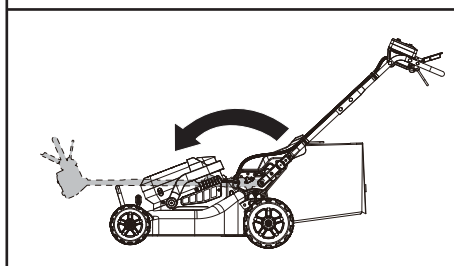
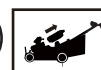
Montaje del manillar superior. (Véase la Fig. A3)

A3



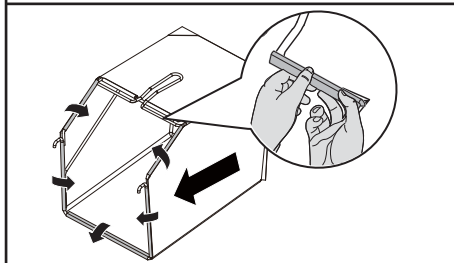
NOTA: Los manillares pueden plegarse para el transporte o el almacenamiento fuera de temporada. (Véase la Fig. A4)

A4



Montaje de la bolsa de recogida de hierba (Véase la Fig. B1)

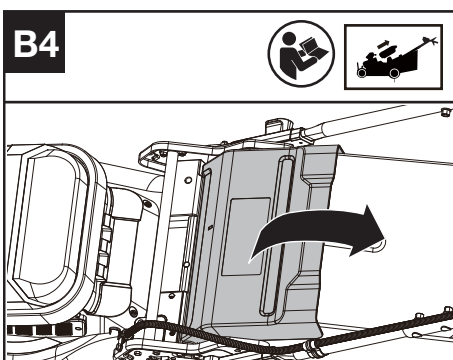
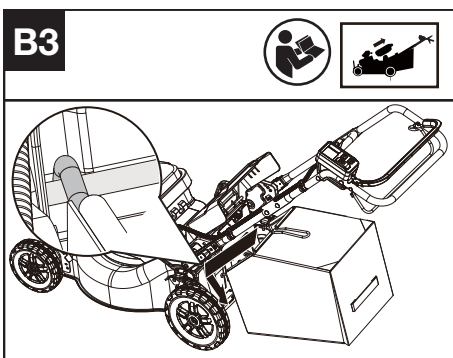
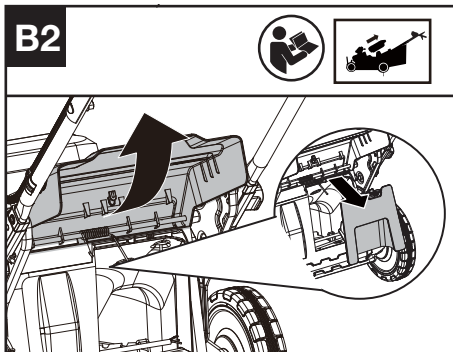
B1



Montaje de la bolsa de recogida de hierba en el cortacésped (Véase la Fig. B2,B3,B4)

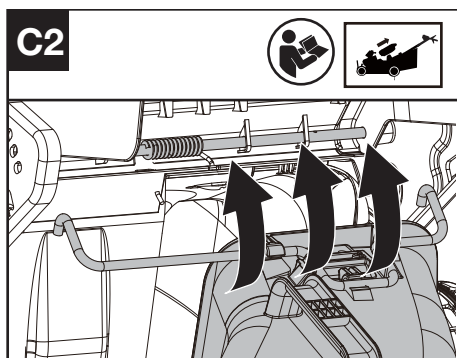
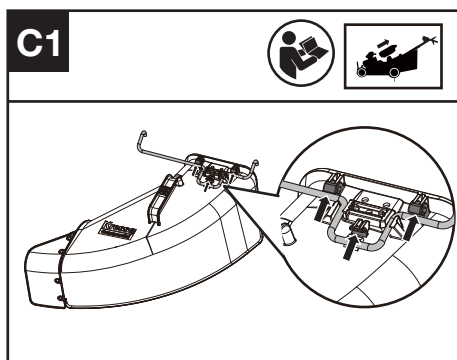
NOTA: Empuje ligeramente la bolsa de recogida de hierba para asegurarse de que está completamente instalada.

NOTA: Saque el conector de mantillo del cortacésped antes de colocar la bolsa de recogida de hierba.



Montaje del canalón de descarga lateral en cortacésped (véase la Fig. C1, C2)

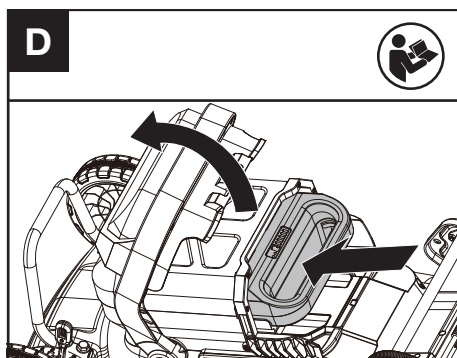
NOTA: Saque el conector de mantillo del cortacésped y retire la bolsa de recogida de hierba antes de montar el canalón de descarga lateral.



Comprobación del estado de carga de la batería y carga del paquete de baterías.

NOTA: Las baterías se suministran descargadas. La batería debe cargarse completamente antes de cortar césped por primera vez. Se pueden encontrar más detalles en el manual de la batería y el cargador.

Instalar/retirar la batería (Véase la Fig. D)



Comprobación de los mandos

1. Retire la batería.
2. Trate de pulsar el interruptor de encendido/apagado, el botón de encendido de la cuchilla

de corte o el control de velocidad de corte. Si el interruptor de encendido/apagado, el botón de encendido de la cuchilla de corte o el control de velocidad de corte se bloquea y no puede volver a su posición original, deje de utilizar el cortacésped y contacte con el servicio técnico.

3. Intente tirar y soltar el fiador de funcionamiento o el fiador de enganche de autopropulsión. Si el fiador de funcionamiento o el fiador de enganche de autopropulsión se bloquea y no puede volver a su posición original, deje de utilizar el cortacésped y contacte con el servicio técnico.
4. Gire el control de velocidad de autopropulsión. Si el control de velocidad de autopropulsión se atasca, deje de utilizar el cortacésped y contacte con el servicio técnico.

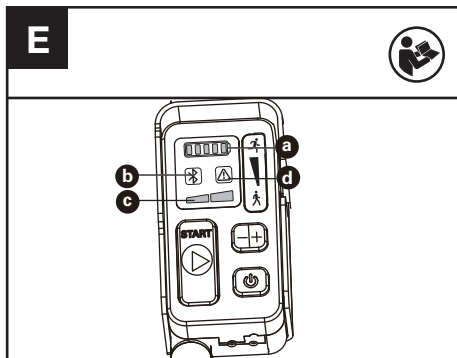
Comprobación de la pantalla (Véase la Fig. E)

1. Instale la batería.
2. Mantenga pulsado el interruptor de encendido/apagado y el indicador de batería (a) y el indicador de velocidad de corte (c) se encenderán.
3. Presione el botón de encendido de la cuchilla de corte y tire del fiador de funcionamiento para encender la máquina.
4. Si el indicador de advertencia (d) se parpadea, consulte **Solución de problemas** para encontrar soluciones.
5. Suelte el fiador de funcionamiento. La cuchilla deja de girar después de un breve tiempo. Si el cortacésped no se detiene, retire la batería y contacte con el servicio técnico.

Indicadores LED

- | | |
|----|---------------------------------|
| a. | INDICADOR DE BATERÍA |
| b. | INDICADOR DE BLUETOOTH |
| c. | INDICADOR DE VELOCIDAD DE CORTE |
| d. | INDICADOR DE ADVERTENCIA |

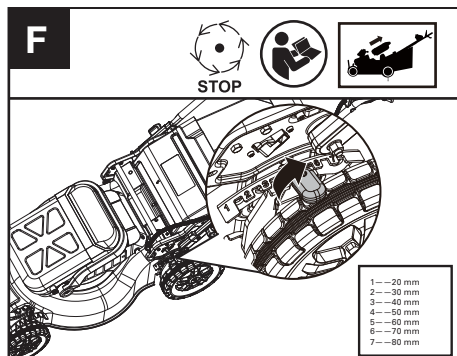
NOTA: El indicador de advertencia parpadeará en rojo o amarillo cuando la máquina no funcione bien. Si la luz roja parpadea, solicite asistencia al distribuidor. Si la luz amarilla parpadea, apague la máquina, retire el paquete de baterías, vuelva a instalar el paquete de baterías y encienda la máquina. Si la luz amarilla sigue parpadeando, solicite asistencia al distribuidor.



Ajuste de la altura de corte (Véase la Fig. F)

Ajuste la altura de corte mediante las palancas de ajuste de altura de corte de la rueda

NOTA: Asegúrese de que las ruedas delanteras y traseras se mantienen en la misma posición cuando ajuste la altura.



¡ADVERTENCIA! Parar, liberar el fiador de funcionamiento y esperar a que el motor se detenga antes de ajustar la altura. Las cuchillas continuarán girando después de apagar la máquina. Una cuchilla en movimiento podría causar una lesión. No toque las cuchillas en movimiento.

FUNCIONAMIENTO:

Arranque y parada del cortacésped (Véase la Fig. G)

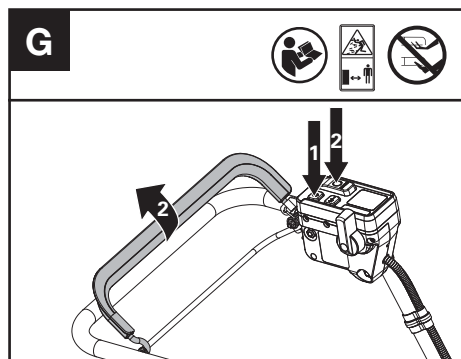
1. Presione el interruptor de encendido/apagado.
2. Pulse el botón de encendido de la cuchilla de corte (mantener pulsado) y tire del fiador de funcionamiento para arrancar la máquina.
3. Suelte el fiador de funcionamiento para parar la máquina.

¡ADVERTENCIA! La cuchilla sigue girando después de apagar el cortacésped, espere hasta que se detenga por completo.

NOTA: Para el arranque, presione el botón de encendido de la cuchilla de corte y tire del fiador de

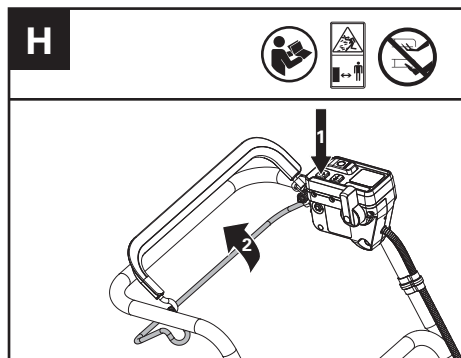
funcionamiento al mismo tiempo.

NOTA: Si mantiene pulsado el interruptor de encendido/apagado, la pantalla se encenderá. La pantalla se apagará automáticamente si no hay ninguna operación durante 60 segundos.

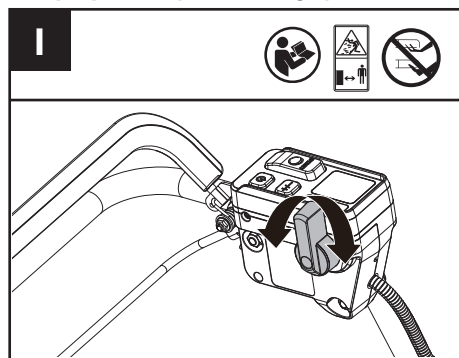


Funcionamiento del sistema de autopropulsión (Véase la Fig. H)

1. Presione el interruptor de encendido/apagado.
2. Tire del fiador de enganche de autopropulsión para activar el sistema de autopropulsión.
3. Suelte el fiador de enganche de autopropulsión para detenerlo.

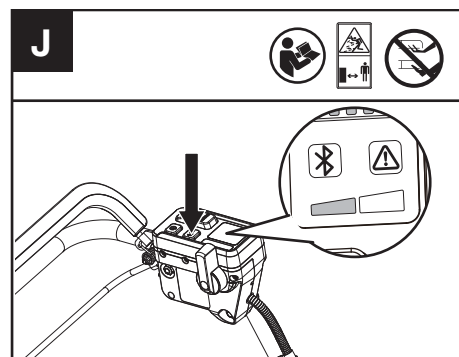


Selección de la velocidad de autopropulsión (Véase la Fig. I)



Selección de la velocidad de corte (Véase la Fig. J)

Según la aplicación, se pueden seleccionar 2 niveles de velocidad de corte. Pulse +/- para controlar la velocidad, que se indicará con los indicadores LED. Cuanto mayor sea el nivel de velocidad de corte, más rápido funcionará la herramienta.



SUGERENCIAS PARA CORTAR HIERBA

Mientras corta, su nuevo cortacésped ha sido diseñado para triturar los restos de hierba y distribuirlos por el jardín. En condiciones normales, la hierba triturada se biodegrada rápidamente para ofrecer nutrientes al césped.

Consulte las recomendaciones siguientes para conseguir un rendimiento óptimo del abono.

- 1) Evite cortar el césped si está mojado por la lluvia o el rocío. La hierba húmeda puede aglomerarse, impidiendo la formación de mantillo y reduciendo la autonomía.
- 2) Para conseguir el mejor abono, establezca la altura de corte para cortar un tercio de la longitud de la cuchilla, idealmente no más de 40mm cada vez. Si la hierba de su jardín ha crecido demasiado, puede que sea necesario aumentar la altura de corte para reducir la presión y no

sobrecargar el motor. Si necesita triturar hierba extremadamente pesada, es aconsejable cortar primero con una altura alta de corte, y volver a cortar después a la altura de corte final. Si no lo hace así, haga cortes más estrechos y corte el césped lentamente.

- 3) Para obtener el mejor rendimiento, mantenga el alojamiento del cortacésped libre de acumulaciones de hierba. Apague cada cierto tiempo el cortacésped y espere a que las cuchillas se detengan por completo. Retire las baterías y ponga el cortacésped de lado. Con un objeto, como por ejemplo un palo, limpie cualquier acumulación de hierba alrededor del área de la cuchilla. Tenga cuidado con los filos afilados de la cuchilla. Asegúrese de limpiar el área de la cuchilla con frecuencia cuando corte hierba húmeda o nueva y cada vez después de utilizar la máquina.
- 4) Algunos tipos de hierba podrían requerir un segundo corte para dispersar la hierba por todo el jardín. Si realiza un segundo corte, es aconsejable hacerlo en dirección perpendicular al patrón del primer corte. **NO CAMBIE EL PATRÓN DE CORTE DE NINGUNA MANERA PODRÍA PROVOCAR QUE EL CORTE SE REALICE EN PENDIENTE DESCENDENTE.**
- 5) CCambie el patrón de corte cada semana. Ello le ayudará a espesar y vigorizar la hierba de su jardín.
- 6) No corte en una pendiente con un ángulo de más de 18°.

ZONA DE CORTE

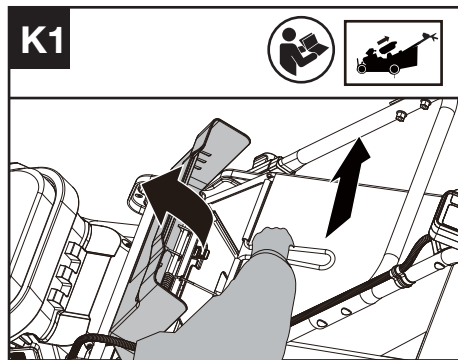
La zona de corte puede verse afectada por varios factores, como la altura de corte, la humedad y la longitud y la densidad de la hierba. Además, encender y apagar el cortacésped demasiadas veces durante el funcionamiento también podría reducir la zona de corte.

CONSEJOS:

- 1) Se recomienda incrementar la frecuencia de corte del césped, andar a velocidad normal y no encender y apagar el cortacésped demasiadas veces durante el funcionamiento.
- 2) Para obtener el mejor rendimiento, asegúrese de que el paquete de baterías está completamente cargado y corte siempre 1/3 o menos de la altura del césped. Se recomienda instalar una nueva cuchilla antes de que empiece la temporada de corte.
- 3) Ande lentamente para cortar la hierba larga, con el fin de mejorar la efectividad del corte y permitir que los restos se descarguen correctamente.
- 4) No corte la hierba cuando esté mojada, ya que se adheriría a la parte inferior y los restos no podrían recogerse o descargarse correctamente.
- 5) Puede aumentarse la altura de corte para cortar hierba nueva o gruesa, y alargar así la duración de la batería.

Retirar/vaciar la bolsa de recogida de hierba (Véase la Fig. K1, K2)

⚠ ¡ADVERTENCIA! Compruebe siempre que la aleta de seguridad haya cerrado la salida de descarga antes del uso. No levante nunca la aleta de seguridad ni retire el conector de mantillo cuando el cortacésped esté en uso sin la bolsa de recogida colocada.



PARA LAS HERRAMIENTAS A BATERÍA

El rango de temperatura ambiente recomendado para la descarga es de -20 °C~45 °C (-4 °F~113 °F). El rango de temperatura ambiente recomendado para el sistema de carga durante el proceso de carga es de -5 °C~45 °C (23 °F~113 °F).

Detalles sobre la eliminación segura de las baterías usadas:

Al final de la vida útil del aparato, retire de forma segura el paquete de baterías antes de desechar el aparato. No tire las baterías ni las arroje a la basura normal. Tampoco deseché la batería junto con la máquina. Retire el paquete de baterías usado del aparato y deséchelo en la instalación de reciclaje más cercana o conveniente. Si tiene dudas, consulte con su departamento local de protección del medio ambiente. Las baterías pueden entrar al ciclo del agua si se desechan incorrectamente, lo que puede ser

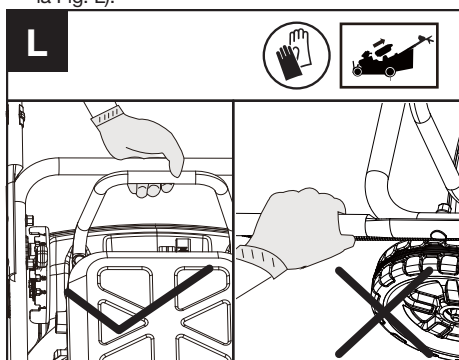
peligroso para el ecosistema. No deseche las baterías usadas como residuos municipales no clasificados.

TRANSPORTE

Transporte del cortacésped

1. Apague el cortacésped y retire la batería.
2. Cuando transporte el cortacésped, puede utilizar la auto-conducción sin activar la cuchilla de corte.
3. Para levantar el cortacésped, se recomienda que dos personas levanten por ambos lados el cortacésped utilizando el protector de motor y las áreas de conexión del manillar inferior como asas.

Cuando levante la máquina en el estado plegado, agarre el protector de motor, no las asas. (Véase la Fig. L).



Transporte de la batería

1. Asegúrese de que la batería está en condiciones seguras.
2. Utilice embalaje no conductor cuando transporte la batería.
3. Las baterías de iones de litio están sujetas a los requisitos reglamentarios en materia de bienes peligrosos.

Transporte las baterías solo cuando su carcasa no esté dañada. Empaque las baterías de tal manera que no se puedan mover en el embalaje.

MANTENIMIENTO

¡ADVERTENCIA! Detenga el cortacésped y retire la batería antes de retirar la bolsa de recogida de césped.

ATENCIÓN: Para asegurarse de un servicio prolongado y confiable, realice regularmente los siguientes procedimientos de mantenimiento. Verifique si hay defectos obvios tales como una cuchilla suelta, fuera de lugar o dañada, accesorios sueltos y componentes desgastados o dañados. Compruebe que las cubiertas y guardas protectoras no se hayan dañado y estén correctamente unidas a la cortadora de césped. Realice todo mantenimiento

o reparación necesarios antes de utilizar la cortadora de césped. Si a pesar del mantenimiento regular la cortadora llegara a presentar fallas, por favor llame a nuestra línea de ayuda al cliente para asesoramiento.

AFILADO DE LA CUCHILLA

MANTENGA LA CUCHILLA AFILADA PARA OBTENER LOS MEJORES RESULTADOS DE CORTE. UNA CUCHILLA DESAFILADA NO CORTA LA HIERBA LIMPIAMENTE NI CREA MANTILLO ADECUADAMENTE.

LLEVE PROTECCIÓN DE OJOS Y GUAANTES ANTICORTE CUANDO RETIRE, AFILE E INSTALE LA CUCHILLA.

NOTA: Afile o cambie la cuchilla cada 50 horas. La arena hace que la cuchilla se desafilé rápidamente. Si el césped tiene suelo arenoso, puede ser necesario afilarla o cambiarla con más frecuencia.

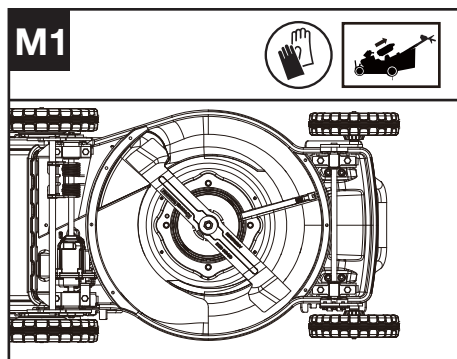
REEMPLACE LA CUCHILLA INMEDIATAMENTE CUANDO ESTÉ DOBLADA O DAÑADA.

CUANDO AFILE LA CUCHILLA

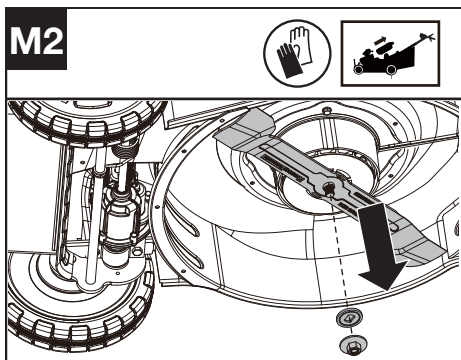
1. Utilice un bloque de madera evitar que la cuchilla gire.
2. Con una llave de tubo y una llave retire el perno de cuchilla y luego la cuchilla. (Consulte la sección para retirar la cuchilla)
3. Sujete la cuchilla con un torno, o algo similar, para evitar que se mueva durante el afilado.
4. Afile los filos de corte en ambos lados de la cuchilla. Asegúrese de que se elimina la misma cantidad de material de ambos lados para mantener el equilibrio de la cuchilla.
5. Compruebe el equilibrio de la cuchilla. (Consulte la sección de equilibrado de la cuchilla)
6. Cambie la cuchilla en orden inverso al desmontaje.
7. Asegúrese de apretar el perno de cuchilla hasta el par requerido (25 Nm).

NOTA:

1. Asegúrese de que el cortacésped esté apagado y retire la batería.
2. Ponga el cortacésped de lado como se muestra en la figura M1

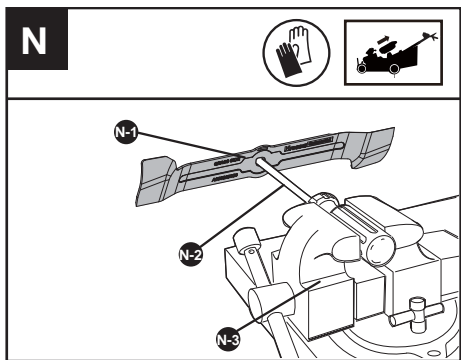


DESMONTAJE DE LA CUCHILLA (VÉASE LA FIG. M2)



EQUILIBRAR LA CUCHILLA (VÉASE LA FIG. N)

Compruebe que la cuchilla se encuentre equilibrada colocando el orificio central de la cuchilla N-1 sobre un destornillador N-2 sostenido horizontalmente en un torno N-3. Si alguno de los extremos de la cuchilla gira hacia abajo, afile ese extremo. La cuchilla se encuentra equilibrada correctamente cuando no cae ningún extremo.



CAMBIO DE CUCHILLA

-Se recomienda cambiar diferentes cuchillas de corte según las diferentes condiciones de trabajo para una mejor experiencia de uso.

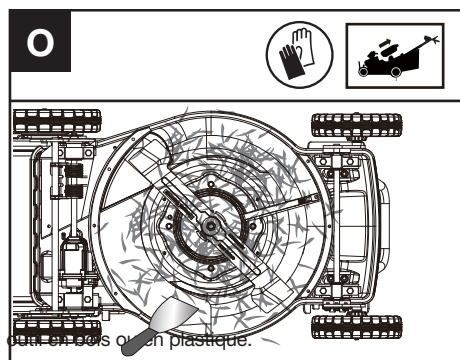
CUCHILLA	FUNCIÓN
Cuchilla de alta elevación	Recomendada para ensacado
Cuchilla tipo caimán	Recomendada para mantillo

LIMPIEZA

1. Detenga el cortacésped y retire la batería.
2. No usar detergentes o disolventes agresivos. Limpiar la máquina después del uso con un trapo húmedo sumergido en detergente neutro.
3. Mantener el enchufe libre de materia extraña, y limpiar con un cepillo o paño suave y seco.
4. No rociar agua sobre el motor ni los componentes eléctricos.
5. No usar limpiador a presión para lavar la máquina.

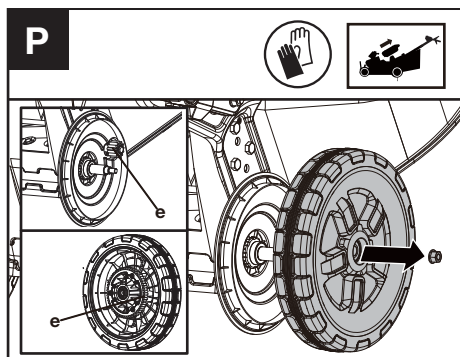
Limpieza de la cubierta y el área de la cuchilla.. (Véase la Fig. O)

Elimine los recortes de césped y restos de la cubierta y del área de la cuchilla. Si la hierba cortada obstruye el área de la cuchilla, quítela con un utensilio de madera o de plástico.



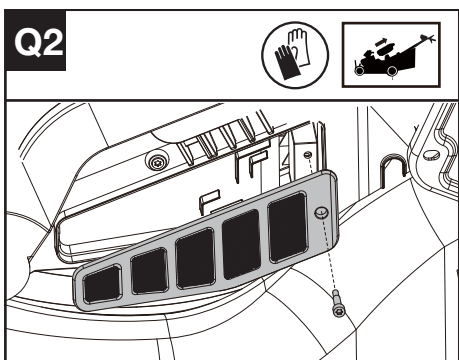
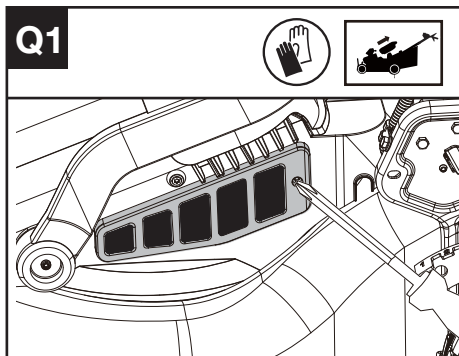
Limpieza de las ruedas. (Véase la Fig. P)

- Detenga el cortacésped y retire la batería.
- Limpie las ruedas cada 50 horas o con mayor frecuencia en condiciones extremas.
- Retire las ruedas traseras y elimine los recortes de césped y los restos del área de engranaje de la rueda.
- Se recomienda aplicar una pequeña cantidad de compuesto antiencallado a los engranajes (e) después de la limpieza.



Limpieza del filtro de aire (véase las Fig. Q1, Q2)

1. Limpie el área alrededor del filtro de aire. Utilice un paño húmedo o un cepillo suave.
2. Desenrosque y retire el filtro de aire.
3. Limpie el filtro de aire bajo un chorro de agua para eliminar la suciedad.
4. Deje secar el filtro de aire al aire, y luego instálelo en la carcasa apretando el tornillo.



durante el funcionamiento, deben secarse antes de su almacenamiento o carga. Retire la batería y vuelva a insertarla si no se puede encender la máquina.

ALMACENAMIENTO

1. Detenga el cortacésped y retire la batería.
2. Limpie minuciosamente el exterior de la máquina con un cepillo suave y un paño. No utilice disolventes ni abrillantadores. Elimine la hierba y los restos, especialmente de las ranuras de ventilación, placa de mantillo, área de la cuchilla y ruedas.
3. Almacene la máquina en un lugar seco, en el que esté fuera del alcance de niños y personas no autorizadas. No coloque otros objetos encima de la máquina.
4. Para ayudar al almacenamiento, plegar el manillar.
5. Almacene la batería solo en un intervalo de temperaturas entre 5 °C (41 °F) y 25 °C (77 °F). Por ejemplo, no deje la batería en el coche en verano.
6. Si la máquina y la batería se mojan en la lluvia

SOLUCIÓN DE PROBLEMAS

La siguiente tabla indica los problemas y las acciones que puede realizar si la máquina no funciona correctamente.




ADVERTENCIA: Apague la máquina y retire la batería antes de proceder a la solución de problemas.

PROBLEMAS	ACCIÓN CORRECTORA
1. La segadora no funciona cuando el fiador de funcionamiento está activado.	<p>a. Asegúrese de que el botón de encendido de la cuchilla de corte está completamente pulsado.</p> <p>B. Suelte el fiador de funcionamiento para apagar el cortacésped. Retire la batería, vuelque el cortacésped y compruebe que la cuchilla puede girar libremente. Si no puede girar, devuélvalo a un centro de servicio autorizado. La cuchilla debe girar libremente.</p> <p>B. ¿Se ha cargado completamente la batería? Conecte el cargador y espere a que se encienda la luz verde.</p> <p>D. Para el arranque, presione el botón de encendido de la cuchilla de corte y tire del fiador de funcionamiento al mismo tiempo.</p>
2. El motor se detiene mientras está cortando el césped.	<p>A. Suelte el fiador de funcionamiento para apagar el cortacésped. Retire la batería, vuelque el cortacésped para comprobar si el cortacésped está atascado con restos de hierba, elimine los residuos del área de rotación de la cuchilla. Luego, compruebe que la cuchilla puede girar libremente. Si no puede girar, devuelva la máquina a un centro de servicio autorizado. La cuchilla debe girar libremente.</p> <p>B. Eleve la altura de corte de las ruedas a la posición más alta y encienda el cortacésped.</p> <p>C. ¿La batería está completamente cargada? Conecte el cargador y espere hasta que se ilumine la luz verde.</p> <p>D. No sobrecargue el cortacésped. Disminuya la velocidad de corte o aumente la altura de corte. O ambos.</p>
3. El cortacésped funciona pero el corte no es satisfactorio, o no se corta todo el césped.	<p>A. ¿La batería está completamente cargada? Conecte el cargador y espere hasta que se ilumine la luz verde.</p> <p>B. Suelte el fiador de funcionamiento para apagar el cortacésped. Retire la batería. Vuelque el cortacésped y compruebe: Si la cuchilla está afilada. Mantenga la cuchilla afilada. Si la cubierta y el canal de descarga están atascados.</p> <p>C. Es probable que la altura de las ruedas se haya fijado en una posición demasiado baja para el estado del césped. Eleve la altura de corte.</p>
4. El cortacésped resulta difícil de empujar.	<p>A. Eleve la altura de corte para reducir el rozamiento de la cubierta contra el césped. Compruebe que cada rueda gire libremente.</p>
5. El cortacésped produce vibraciones y ruidos de una manera inusual.	<p>A. Suelte el fiador de funcionamiento para apagar el cortacésped. Retire la batería. Ponga el cortacésped de lado y compruebe la cuchilla para garantizar que no se haya doblado o dañado. Si la cuchilla está dañada, cámbiela por una cuchilla de repuesto. Si la parte inferior de la cubierta está dañada, devuelva el cortacésped a un centro de servicio autorizado.</p> <p>B. Si no hay daño visible en la cuchilla y el cortacésped sigue vibrando: Suelte el fiador de funcionamiento para apagar el cortacésped y retire la batería y la cuchilla. Gire la cuchilla 180 grados y vuelva a apretarla. Si el cortacésped sigue vibrando, devuélvalo a un centro de servicio autorizado.</p>
6. Los LEDs del cargador de batería no se encienden.	<p>A. Compruebe el enchufe de conexión.</p> <p>B. Sustituya el cargador.</p>

7. El LED de carga de la batería no se vuelve verde.	A. Es necesario revisar la batería. Llévela a un centro de servicio autorizado.
8. El cortacésped no recoge los recortes en la bolsa.	A. El canal trasero está atascado. Suelte el fiador de funcionamiento para apagar el cortacésped. Retire la batería. Elimine los recortes de césped del canal. B. Demasiada hierba cortada. Aumente la altura de corte de las ruedas para reducir la longitud de corte. C. La bolsa está llena Vacíe la bolsa con más frecuencia.
9. Se ven recortes en el mantillo.	A. Se está cortando demasiado césped. Eleve la altura de corte de las ruedas para reducir la longitud del corte. No corte más de 1/3 de la longitud total. B. Compruebe que la cuchilla esté afilada. La cuchilla debe mantenerse siempre afilada. C. Reduzca la velocidad si la hierba es alta o muy espesa.
10. El tiempo de funcionamiento se acorta tras varios usos.	A. Lleve la máquina a un centro de servicio autorizado; es posible que se tenga que instalar una batería nueva.
11. El indicador de advertencia parpadea.	A. Apague la máquina y retire el paquete de baterías, vuelva a instalar el paquete de baterías y encienda la máquina. B. Contacte con el servicio técnico.

DATOS TÉCNICOS

Modelo: **KC720 KC720.X (720-designación de maquinaria, representativa de Cortacésped SP con cubierta de acero reforzado)**

ES	KC720 KC720.X **
Tensión	60V  Max***
Material de la cubierta	Acero reforzado -1.8 mm
Ancho de corte	47 cm
Velocidad SP máx.	6.4 km/h
Altura de corte	20-80 mm
Posiciones de altura de corte	7
Capacidad de recogida de hierba	70 L
Grado de protección	IPX4
Autonomía	70min@11Ah****
Peso de la máquina (herramienta sola)	38 kg

** X = 1-999, A-Z, M1-M9 solo se utilizan para diferentes clientes, no hay cambios relevantes seguros entre estos modelos.

*** Voltaje medido sin carga. El voltaje inicial máximo de la batería es de 60 voltios. El voltaje nominal es de 54 voltios.

**** La autonomía puede variar dependiendo de como se utilice la herramienta y las condiciones del césped.

El nivel de velocidad de corte seleccionado influye en la autonomía de la batería. Cuanto menor sea el nivel de velocidad de corte, mayor será la autonomía.

BATERÍAS Y CARGADORES RECOMENDADOS

Batería	Capacidad	Cargador	Amperage
KAC810	11 Ah	KAC840	30 A

Le recomendamos que adquiera los accesorios en el mismo distribuidor que le vendió la herramienta. Consulte el embalaje de los accesorios para obtener más detalles. El distribuidor puede ayudarle y aconsejarle.

DATOS TÉCNICOS DEL PAQUETE DE BATERÍAS (OPCIONAL)

Bandas de frecuencia para Bluetooth	2400-2483.5 MHz
Potencia transmitida máxima para Bluetooth	8 dBm

INFORMACIÓN SOBRE EL RUIDO

Nivel de presión acústica de ponderación $L_{pA} = 83.2 \text{ dB(A)}$

K_{pA} 3 dB(A)

Nivel de potencia acústica de ponderación $L_{wA} = 95.84 \text{ dB(A)}$

K_{wA} 0.65 dB(A)

Utilice protección auditiva



INFORMACIÓN SOBRE LAS VIBRACIONES

Frecuencia de vibración típica $a_h < 2.5 \text{ m/s}^2$

Incertidumbre $K = 1.5 \text{ m/s}^2$

ADVERTENCIA: El valor de emisión de vibraciones durante el uso de la herramienta podría ser distinto al valor declarado dependiendo de la forma en que se use la herramienta según las condiciones siguientes, y otras variaciones sobre el uso de la herramienta:

El modo de uso de la herramienta y los materiales que se cortan o perforan.

El estado general y las condiciones de mantenimiento de la herramienta.

La utilización del accesorio correcto para la

herramienta y su correcto mantenimiento afilado y en buenas condiciones.

La firme sujeción de las empuñaduras y la utilización de accesorios antivibración.

El uso de la herramienta conforme a su diseño y estas instrucciones.

Esta herramienta podría causar síndrome de vibración mano-brazo si no se utiliza correctamente.

ADVERTENCIA: Para conseguir una mayor precisión, debe tenerse en cuenta una estimación del nivel de exposición en condiciones reales de todas las partes del ciclo de uso, como los tiempos durante los que la herramienta está apagada o el tiempo que está funcionando al ralenti sin realizar ningún trabajo. Esto podría reducir notablemente el nivel de exposición durante el periodo completo de trabajo.

Cómo minimizar el riesgo de exposición a la vibración. Utilice SIEMPRE cinceles, brocas y cuchillas afiladas. Mantenga esta herramienta de acuerdo con estas instrucciones y bien lubricada (si es necesario).

Si la herramienta se utiliza regularmente, invierta en accesorios antivibración.

Planifique su programa de trabajo para distribuir el uso de la herramienta a lo largo de varios días.

PROTECTION AMBIENTAL

Los residuos de equipamientos eléctricos y electrónicos no deben depositarse con las basuras domésticas. Se recogen para reciclarse en centros especializados. Consulte las autoridades locales o su revendedor para obtener informaciones sobre la organización de la recogida.

ES

DECLARACIÓN DE CONFORMIDAD

Los que reciben,
Positec Germany GmbH
Postfach 680194, 50704 Cologne, Germany

En nombre de Positec declaran que el producto
Descripción **Cortacésped de batería**
Modelo **KC720 KC720.X (720-designación de maquinaria, representativa de Cortacésped SP con cubierta de acero reforzado)**
Función **Corte de césped**

Cumple con las siguientes Directivas,
2006/42/EC, 2014/30/EU, 2011/65/EU & (EU)
2015/863, 2000/14/EC modificada por 2005/88/EC

2000/14/EC modificada por 2005/88/EC:

- Procedimiento de evaluación de la conformidad de acuerdo con **Annex VI**
- Nivel de presión acústica **95.84 dB (A)**
- Nivel de intensidad acústica **96 dB (A)**

Notificación realizada por
Nombre: TÜV Rheinland LGA Products GmbH
(cuerpo notificado 0197)
Dirección: Tillystraße 2-90431 Nürnberg

ES Normativas conformes a,
EN 62841-1, EN IEC 62841-4-3, EN ISO 3744, EN IEC 55014-1, EN IEC 55014-2, EN IEC 63000

La persona autorizada para componer el archivo técnico

Firma **Marcel Filz**
Dirección **Positec Germany GmbH**
Postfach **680194, 50704 Cologne, Germany**



2024/02/05
Allen Ding
Ingeniero Jefe Adjunto, Pruebas y Certificación
Positec Technology (China) Co., Ltd
18, Dongwang Road, Suzhou Industrial
Park, Jiangsu 215123, P. R. China

ÍNDICE

Introdução.....	97
Lista de componentes.....	99
Segurança do produto.....	100
Montagem e funcionamento.....	104
Transporte.....	108
Manutenção.....	109
Limpeza.....	110
Armazenamento.....	111
Resolução de problemas.....	112
Dados técnicos.....	113
Protecção ambiental.....	114
Declaração de conformidade.....	115

PT

INTRODUÇÃO

Estimado Cliente,

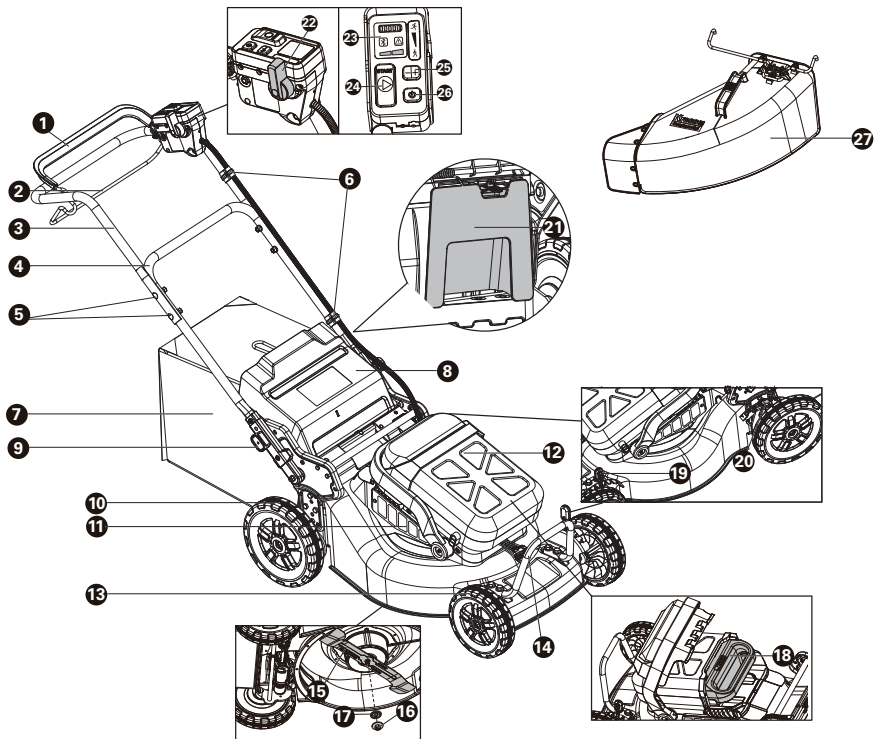
Obrigado por adquirir este produto Kress Commercial. Estamos empenhados em desenvolver produtos de alta qualidade que satisfaçam os seus requisitos comerciais de jardinagem.

A marca Kress é sinónimo de um serviço de qualidade superior. Ao longo dos anos de vida útil dos produtos, se tiver dúvidas ou preocupações relativamente ao produto, contacte o revendedor ou a Equipa de Atendimento ao Cliente para obter assistência.

Estamos confiantes de que irá gostar de trabalhar com o seu produto Kress durante muitos anos.

UTILIZAÇÃO DE ACORDO COM AS DISPOSIÇÕES

Este produto destina-se ao corte de relva a nível comercial.



LISTA DE COMPONENTES

1. ALAVANCA DE OPERAÇÃO (ENCAIXE DA LÂMINA)
2. ALAVANCA DE ACIONAMENTO DE AUTOPROPULSÃO
3. PEGA SUPERIOR
4. PEGA INFERIOR
5. APERTOS DA PEGA
6. GRAMPO DO CABO
7. SACO DE RECOLHA DE RELVA
8. ABA DE SEGURANÇA
9. BOTÃO DE AJUSTE DA ALTURA
10. RODA TRASEIRA
11. FILTRO DE AR
12. TAMPA DO MÓDULO DA BATERIA
13. RODA DIANTEIRA
14. GUARDA DO MOTOR
15. LÂMINA
16. PARAFUSO DA LÂMINA
17. ESPAÇADOR
18. MÓDULO DA BATERIA*
19. ALAVANCA FRONTAL DE AJUSTE DA ALTURA DE CORTE
20. ALAVANCA TRASEIRA DE AJUSTE DA ALTURA DE CORTE
21. ALAVANCA DE MULCHING
22. CONTROLO DE VELOCIDADE COM AUTOPROPULSÃO
23. INDICADORES LED
24. BOTÃO DE ARRANQUE DA LÂMINA DE CORTE
25. CONTROLO DE VELOCIDADE DE CORTE
26. INTERRUPTOR DE LIGAR/DESLIGAR
27. CALHA DE DESCARGA LATERAL*

* Acessórios ilustrados ou descritos não estão totalmente abrangidos no fornecimento.

MANUAL ORIGINAL

SEGURANÇA DO PRODUTO

AVISOS GERAIS

DE SEGURANÇA

DE FERRAMENTAS

ELÉCTRICAS



AVISO Leia todos os avisos de segurança, instruções, ilustrações e especificações fornecidos com esta ferramenta eléctrica. Caso não siga todas as instruções listadas de seguida poderá resultar e choque eléctrico, incêndio e/ou lesões graves. **Guarde estas instruções para referência futura.** Os termos “ferramenta eléctrica” utilizados em todos os avisos constantes destas instruções referem-se à sua ferramenta eléctrica accionada por bateria (sem cabo de alimentação).

1) LOCAL DE TRABALHO

- a) **Mantenha o local de trabalho limpo e bem arrumado.** Áreas com pouca iluminação e desordenadas podem provocar acidentes.
- b) **Não utilize o aparelho em locais onde existam líquidos, gases ou poeiras inflamáveis e onde exista o risco de explosão.** As ferramentas eléctricas produzem faíscas que podem inflamar poeiras ou gases.
- c) **Mantenha as pessoas e particularmente as crianças afastadas da ferramenta eléctrica durante o seu funcionamento.** Qualquer distração pode fazê-lo perder o controlo do berbequim.

2) SEGURANÇA ELÉCTRICA

- a) **A ficha do berbequim deve encaixar bem na tomada de alimentação. Nunca modifique fichas, seja de que maneira for. Não utilize nenhuma ficha de adaptação com ferramentas eléctricas que tenham ligação à terra.** Fichas não modificadas e tomadas de corrente adequadas reduzem o risco de choque eléctrico.
- b) **Evite o contacto do corpo com superfícies ligadas à terra como tubos, aquecedores, fogões e frigoríficos.** Existe um aumento do risco de choque eléctrico se o seu corpo estiver em contacto com a terra ou a massa.
- c) **Não opere a máquina em condições de chuva ou humidade.** Esta situação pode aumentar o risco de choque eléctrico.
- d) **Não maltrate o cabo de alimentação. Nunca utilize o cabo para transportar, puxar ou desligar o aparelho da tomada de corrente.** Mantenha o cabo afastado de fontes de calor, óleos, arestas afiadas ou peças em movimento. Cabos danificados ou enredados aumentam o risco de choque eléctrico.
- e) **Quando trabalhar com uma ferramenta eléctrica ao ar livre, use um cabo de extensão adequado para utilização no**

exterior. A utilização de um cabo adequado para uso exterior reduz o risco de choque eléctrico.

- f) **Se não puder evitar a utilização de uma ferramenta eléctrica num local húmido, utilize uma fonte de alimentação protegida contra corrente residual.** A utilização de um dispositivo com protecção contra corrente residual reduz o risco de choque eléctrico.
- #### 3) SEGURANÇA DE PESSOAS
- a) **Esteja atento, observe o que está a fazer e seja prudente sempre que trabalhar com uma ferramenta eléctrica. Não utilize nunca uma ferramenta eléctrica quando estiver cansado ou sob a influência de drogas, álcool ou medicamentos.** Um momento de desatenção quando se utiliza uma ferramenta eléctrica pode causar lesões graves.
 - b) **Utilize equipamentos de segurança. Use sempre óculos de protecção.** Equipamentos de segurança, tais como máscaras protectoras, sapatos de sola antiderrapante, capacetes ou protecções auriculares devidamente utilizados reduzem o risco de lesões.
 - c) **Evite o arranque accidental da ferramenta.** Certifique-se de que o comutador de alimentação está desligado antes de ligar a ferramenta à fonte de alimentação e/ou à bateria, antes de pegar nela ou antes de a transportar. Se mantiver o dedo no interruptor ou accionar o aparelho enquanto este estiver ligado podem ocorrer acidentes.
 - d) **Remova quaisquer chaves de ajuste ou de porcas antes de ligar a ferramenta eléctrica.** Chaves de porcas ou de ajuste fixadas a peças móveis do berbequim podem causar lesões.
 - e) **Não exceda as suas próprias capacidades.** Mantenha sempre o corpo em posição firme e de equilíbrio, o que lhe permite controlar melhor a ferramenta eléctrica em situações imprevistas.
 - f) **Use roupa apropriada. Não use vestuário solto ou artigos de joalheria. Mantenha o cabelo e as roupas e luvas afastados das peças móveis.** Roupas soltas, artigos de joalheria ou cabelos compridos podem ser agarrados por peças em movimento.
 - g) **Se forem fornecidos dispositivos para a montagem de unidades de extracção ou recolha de resíduos, Assegure-se de que são montados e utilizados adequadamente.** A utilização destes dispositivos pode reduzir os perigos relacionados com a presença de resíduos.
 - h) **Não permita que a familiaridade obtida do uso frequente de ferramentas o tornem complacente o o faça ignorar os princípios de segurança da ferramenta.** Uma ação descuidada pode causar lesões graves numa fração de segundo.
- #### 4) UTILIZAÇÃO E MANUTENÇÃO DA FERRAMENTA ELÉCTRICA

- a) **Não force a ferramenta. Utilize a ferramenta eléctrica apropriada para cada aplicação.** *A utilização da ferramenta eléctrica apropriada executa o trabalho de forma melhor e mais segura, à velocidade para a qual foi concebida.*
- b) **Não utilize esta ferramenta se o interruptor estiver deficiente, não ligando ou desligando.** *Qualquer ferramenta eléctrica que não possa ser controlada pelo interruptor é perigosa e deve ser reparada.*
- c) **Desligue a ficha da tomada eléctrica e/ou remova o conjunto de pilhas, caso seja possível removê-lo, da ferramenta eléctrica antes de realizar quaisquer ajustes, substituir acessórios ou armazenar ferramentas eléctricas.** *Estas medidas de segurança preventivas reduzem o risco de activação accidental da ferramenta.*
- d) **Quando não estiver a usar a ferramenta eléctrica, guarde-a fora do alcance das crianças e não deixe que esta seja utilizada por pessoas que não a conheçam, nem tenham lido as instruções.** *As ferramentas eléctricas são perigosas nas mãos de utilizadores inexperientes.*
- e) **Realize a manutenção de ferramentas eléctricas e acessórios.** *Verifique quaisquer desalinhamentos, encaixes de peças móveis, quebras e outras condições que possam afectar o funcionamento. Se esta ferramenta estiver avariada, mande-a reparar antes a utilizar. Muitos acidentes são causados pela manutenção deficiente de ferramentas eléctricas.*
- f) **Mantenha as ferramentas de corte limpas e afiadas.** *As ferramentas de corte com manutenção adequada e arestas de corte afiadas têm menos probabilidades bloquear e são mais fáceis de controlar.*
- g) **Utilize a ferramenta eléctrica, acessórios, brocas, etc. em conformidade com estas instruções e da forma prevista para este tipo específico de ferramenta, tendo em conta as condições presentes e o trabalho a executar.** *A utilização de ferramentas eléctricas para aplicações diferentes daquelas a que se destinam pode levar a situações de perigo.*
- h) **Mantenha as pegas e as superfícies de aderência secas, limpas e sem óleo e massa lubrificante.** *As pegas e superfícies de aderência escorregadias não permitem o manuseamento e controlo seguros da ferramenta em situações inesperadas.*
- 5) **USO E TRATAMENTO DE APARELHOS COM ACUMULADOR**
- a) **Apenas deverá carregar em carregadores, acumuladores recomendados pelo fabricante.** *Um carregador que é apropriado para um tipo de acumulador, pode causar um incêndio se se for utilizado para carregar outros acumuladores.*
- b) **Apenas utilize nas ferramentas eléctricas os acumuladores previstos.** *A utilização de*

outros acumuladores pode levar a lesões e riscos de incêndio.

- c) **Quando o acumulador não estiver em uso, mantenha-o afastado de outros objectos de metal, como por exemplo agrafos, moedas, chaves, pregos, parafusos, ou outros pequenos objectos metálicos que possam ligar em ponte os contactos.** *Um curto circuito entre os contactos do acumulador pode causar queimaduras ou incêndio.*
- d) **Aplicações inadequadas podem provocar fugas do líquido do acumulador.** *Evite o contacto com este líquido. No caso de um contacto accidental, lave imediatamente com água fresca. Se o líquido entrar em contacto com os olhos, procure um auxílio médico. O líquido que escapa do acumulador pode levar a irritações ou queimaduras da pele.*
- e) **Não utilize um conjunto de baterias ou ferramenta que esteja danificado ou tenha sido modificado.** *As baterias danificadas ou modificadas podem exibir um comportamento imprevisível, resultando em incêndio, explosão ou risco de lesão.*
- f) **Não exponha um conjunto de baterias ou ferramenta ao fogo ou temperatura excessiva.** *A exposição ao fogo ou temperatura superior a 130 °C pode causar explosão.*
- g) **Siga todas as instruções de carregamento e não carregue o conjunto das baterias ou ferramenta fora do intervalo de temperatura especificado nas instruções.** *O carregamento indevido ou a temperatura fora do intervalo especificado pode danificar a bateria e aumentar o risco de incêndio.*
- 6) **ASSISTÊNCIA TÉCNICA**
- a) **A sua ferramenta eléctrica só deve ser reparada por um técnico de assistência qualificado e devem ser apenas utilizadas peças de substituição genuínas, mantendo assim a segurança da ferramenta.**
- b) **Nunca faça a manutenção de conjuntos de baterias danificados.** *A manutenção de conjuntos de baterias só deve ser efetuado pelo fabricante ou prestadores de serviço autorizados.*

ADVERTÊNCIAS DE SEGURANÇA PARA O CORTA-RELVA

- a) **Não utilize o corta-relva em más condições climáticas, especialmente quando existe o risco de relâmpagos.** *Isto diminui o risco de ser atingido por um raio.*
- b) **Inspeccione minuciosamente a área onde o corta-relva vai ser utilizado para detetar a presença de animais selvagens.** *Os animais selvagens podem ser feridos pelo corta-relva durante a operação.*
- c) **Inspeccione minuciosamente a área onde o**

corta-relva vai ser utilizado e remova todas as pedras, paus, arames, ossos e outros objetos estranhos. Os objetos projetados podem causar ferimentos pessoais.

- d) **Antes de utilizar o corta-relva, inspecione-o sempre visualmente para ver se a lâmina e o conjunto da lâmina não estão desgastados ou danificados.** Peças gastas ou danificadas aumentam o risco de lesões.
- e) **Verifique o apanhador de relva com frequência para detetar sinais de desgaste ou deterioração.** Um apanhador de relva desgastado ou danificado aumenta o risco de lesões pessoais.
- f) **Mantenha todas as proteções instaladas. As proteções têm de estar devidamente instaladas e em bom estado de funcionamento.** Uma proteção que esteja solta, danificada ou que não esteja a funcionar corretamente, poderá resultar em ferimentos pessoais.
- g) **Mantenha todas as entradas de ar de arrefecimento livres de detritos.** As entradas de ar bloqueadas e com detritos podem resultar em sobreaquecimento ou risco de incêndio.
- h) **Durante a operação do corta-relva, use sempre calçado antiderrapante e de proteção. Não opere o corta-relva quando estiver descalço ou a usar sandálias abertas.** Isso reduz a probabilidade de sofrer lesões nos pés pelo contacto com a lâmina em movimento.
- i) **Durante a operação do corta-relva, use sempre calças compridas.** A pele exposta aumenta a probabilidade de ferimentos por objetos projetados.
- j) **Não opere o corta-relva quando a relva estiver molhada. Caminhe, nunca corra.** Isto reduz o risco de escorregar e cair, podendo resultar em ferimentos pessoais.
- k) **Não opere o corta-relva em áreas com grande inclinação.** Isto reduz o risco de perda de controlo, escorregar e cair, o que pode resultar em ferimentos pessoais.
- l) **Ao trabalhar em áreas inclinadas, certifique-se sempre de que tem uma boa base de apoio, trabalhe no sentido transversal da inclinação, nunca a subir ou descer, e tenha extrema cautela ao mudar de direção.** Isto reduz o risco de perda de controlo, escorregar e cair, o que pode resultar em ferimentos pessoais.
- m) **Tenha extrema cautela ao fazer marcha-atrás ou ao puxar o corta-relva na sua direção. Esteja sempre atento ao que se passa em seu redor.** Isso reduz o risco de tropeçar durante a operação.
- n) **Não toque nas lâminas nem noutras peças móveis perigosas quando ainda estiverem em movimento.** Isto reduz o risco de ferimentos ocasionados pelas peças móveis.
- o) **Ao remover qualquer material encravado ou ao limpar o corta-relva, certifique-se de que todos os interruptores de energia estão desligados e que o módulo de bateria está desligado.** A colocação em funcionamento inesperada do corta-relva pode resultar em lesões pessoais graves.

AVISOS DE SEGURANÇA PARA A BATERIA










- a) **Não desmonte, abra ou corte as células da bateria.**
- b) **Não submeta a bateria a curto-circuitos. Não armazene as baterias ao acaso numa caixa ou gaveta onde possam provocar um curto-circuito ou submetidas a curto-circuitos por materiais condutores.** Quando não estiver a utilizar a bateria, mantenha-a afastada de outros objectos metálicos, como cliques, moedas, chaves, pregos, parafusos ou outros pequenos objectos de metal, que possam realizar uma ligação de um terminal a outro. Um curto-circuito dos terminais da bateria pode provocar queimaduras ou um incêndio.
- c) **Não exponha a bateria ao calor ou a incêndios. Evite o armazenamento à exposição de luz solar directa.**
- d) **Não exponha a bateria ao choque eléctrico.**
- e) **Em casos de fugas na bateria, não permita que o líquido entre em contacto com a pele ou olhos. Caso entre em contacto, lave a área afectada com quantidades abundantes de água e procure aconselhamento médico.**
- f) **Mantenha a bateria limpa e seca.**
- g) **Limpe os terminais da bateria com um pano limpo e seco em caso de sujidade.**
- h) **A bateria necessita de ser carregada antes de ser utilizada. Consulte sempre estas instruções e utilize o procedimento de carga correcto.**
- i) **Não mantenha a bateria a carregar quando não for utilizada.**
- j) **Após longos períodos de tempos de armazenamento, pode ser necessário carregar e descarregar a bateria diversas vezes para obter o desempenho máximo.**
- k) **Recarregue apenas com o carregador especificado pela Kress. Não utilize um carregador que não se encontra especificado para a utilização com o equipamento.**
- l) **Não utilize uma bateria que não se encontra concebida para a utilização com o equipamento.**
- m) **Mantenha a bateria fora do alcance das crianças.**
- n) **Preserve as informações originais do produto para futura referência.**
- o) **Retire a bateria do equipamento quando não estiver em utilização.**
- p) **Elimine-a de forma adequada.**
- q) **Não misture pilhas de diferente fabrico, capacidade, tamanho ou tipo num dispositivo.**
- r) **Mantenha a bateria longe de fornos microondas e altas pressões.**
- s) **Aviso! Não utilize pilhas não recarregáveis.**

REQUISITOS DO MANUAL DO UTILIZADOR PARA PRODUTOS SEM FIO

- a) A operação deste aparelho está sujeita às duas condições seguintes:
 (1) Este aparelho não pode causar interferências prejudiciais, e
 (2) Este aparelho deve aceitar quaisquer interferências, incluindo interferências que possam causar um funcionamento indesejado.
- b) Atenção: Quaisquer alterações ou modificações que não foram expressamente aprovadas pela parte responsável da conformidade, podem anular a autoridade do utilizador para operar este equipamento.
- c) NOTA: Este equipamento gera, utiliza e pode radiar energia de radiofrequência e, se não for instalado e utilizado de acordo com as instruções, poderá causar interferência nociva em comunicações de rádio. No entanto, não existem quaisquer garantias de que não ocorram interferências numa instalação particular. Se este equipamento causar uma interferência prejudicial à receção de rádio ou televisão, o que pode ser determinado ao ligar e desligar o equipamento, recomenda-se que o utilizador tente corrigir esta interferência mediante uma ou mais das seguintes medidas:
 - Reorientar ou reposicionar a antena recetora.
 - Aumentar a distância entre o equipamento e o recetor.
 - Ligar o equipamento a uma tomada num circuito diferente daquele ao qual o recetor está ligado.
 - Consultar o vendedor ou um técnico de rádio/TV experiente para obter ajuda.

SÍMBOLOS

	Para reduzir o risco de ferimentos o utilizador deve ler o manual de instruções
	AVISO
	ADVERTÊNCIA – Tenha cuidado com os objetos projetados – mantenha os espetadores afastados
	ADVERTÊNCIA – Mantenha as mãos e os pés longe das lâminas

	ADVERTÊNCIA – Desligue a bateria antes de executar qualquer operação de manutenção
	A lâmina continua a funcionar após ter desligado o corta-relva. Aguarde até todos os componentes do corta-relva pararem completamente antes de tocar nos mesmos.
	Usar luvas de proteção
	Remova a bateria da tomada antes de fazer qualquer ajuste, serviço ou manutenção.
	As baterias poderão entrar no ciclo hídrico caso sejam descartadas indevidamente, o que pode representar perigo para o ecossistema. Não elimine as baterias usadas como resíduos municipais não separados.
	Não queimar
	Alta velocidade
	Baixa velocidade
	Bateria de íões de lítio Este produto foi marcado com um símbolo relacionado com a “recolha separada” de todos os conjuntos de baterias e o conjunto de bateria. Será reciclada ou desmantelada para reduzir o impacto no meio ambiente. Os conjuntos de baterias podem ser perigosos para o meio ambiente e para a saúde humana, uma vez que contêm substâncias perigosas.



Os equipamentos eléctricos não devem ser depositados com o lixo doméstico. Se existirem instalações adequadas deve reciclá-los. Consulte a sua autoridade local para tratamento de lixo ou fornecedor para obter aconselhamento sobre reciclagem.

MONTAGEM E FUNCIONAMENTO



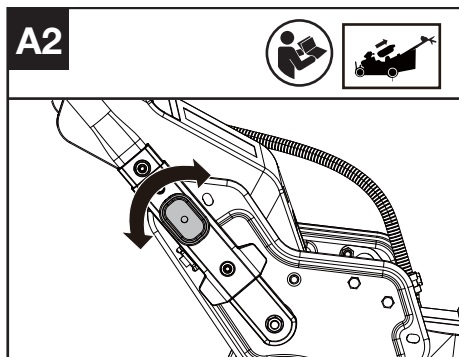
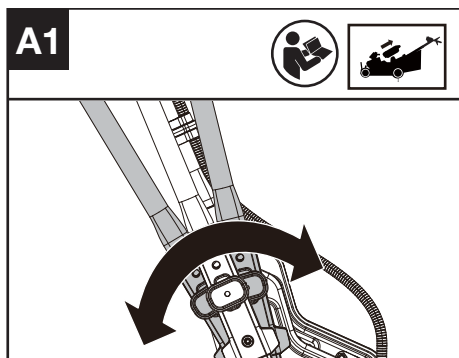
NOTA: Antes de utilizar a ferramenta, leia o livro de instruções atentamente.



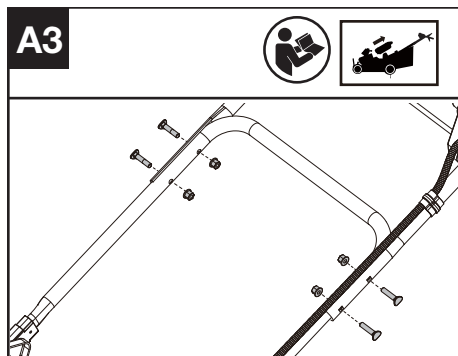
ANTES DA OPERAÇÃO:

Ajuste da altura da pega e montagem das pegas inferiores. (Ver as Fig. A1, A2)

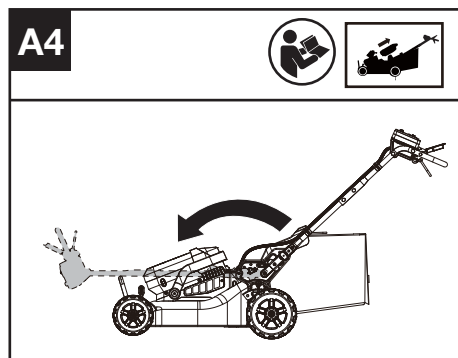
Podem ser seleccionados 3 níveis de altura. Selecione a altura adequada e rode o botão de ajuste da altura.



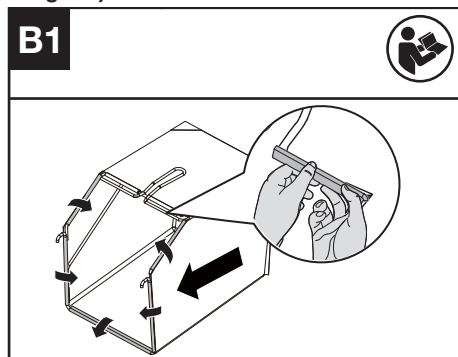
Montagem da pega superior. (Ver a Fig. A3)



NOTA: As pegas podem ser dobradas para transporte ou armazenamento na época baixa. (Ver a Fig. A4)



Montagem do saco de recolha de relva (Ver a Fig. B1)

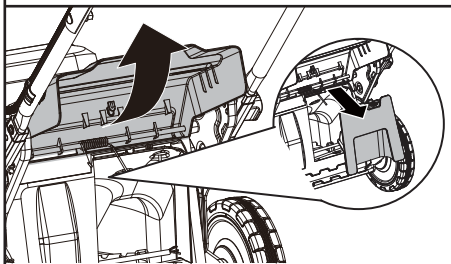


Montagem do saco de recolha de relva no cortador de relva (Ver a Fig. B2, B3, B4)

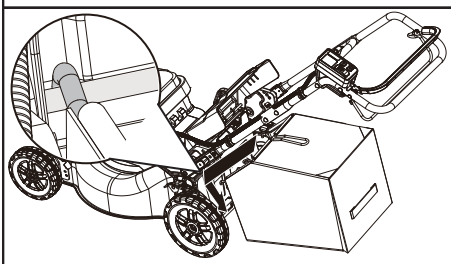
NOTA: Apertar ligeiramente o saco de recolha de relva para garantir que está completamente instalado.

NOTA: Tire a alavanca de mulching do cortador de relva antes de colocar o saco de recolha de relva.

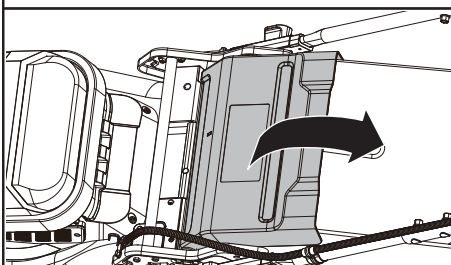
B2



B3



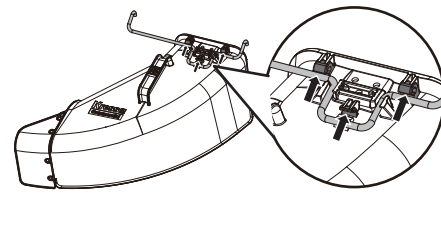
B4



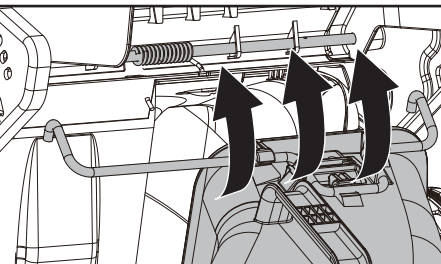
Montagem da calha de descarga lateral no cortador de relva (ver a fig. C1, C2)

NOTA: Retire a pega de mulching do cortador de relva e retire o saco de recolha de relva antes de montar a calha de descarga lateral.

C1



C2

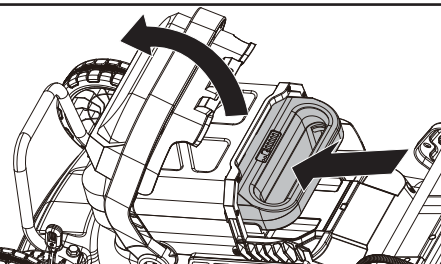


Verificação do estado de carga da bateria e carregamento do conjunto de baterias.

NOTA: As baterias são enviadas sem carga. A bateria deve estar totalmente carregada antes do primeiro corte de relva. Podem ser encontrados mais detalhes no manual da bateria e carregador.

Encaixar/remover a bateria (Ver a Fig. D)

D



Verificação dos comandos

1. Remova a bateria
2. Tentar carregar no interruptor de ligar/desligar, no botão de arranque da lâmina de corte ou

no comando da velocidade de corte. Se o interruptor de ligar/desligar, o botão de arranque da lâmina de corte ou o comando da velocidade de corte ficar preso e não puder voltar à sua posição original, pare de utilizar o cortador e contacte o agente do serviço de assistência.

3. Tente puxar e libertar a alavanca de operação ou a alavanca de acionamento da autopropulsão. Se a alavanca de operação ou a alavanca de acionamento da autopropulsão ficar presa e não puder voltar à sua posição original, pare de usar o cortador de relva e contacte o agente do serviço de assistência.
4. Rode o comando de velocidade da autopropulsão. Se o comando de velocidade da autopropulsão ficar preso, pare de usar o cortador de relva e contacte o agente do serviço de assistência.

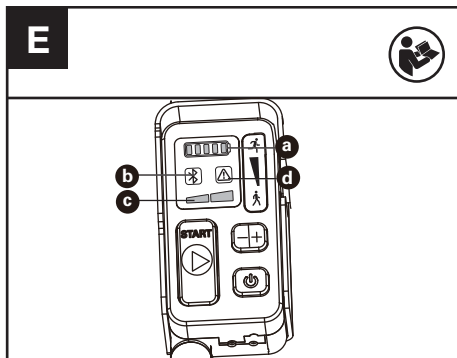
Verificação do visor (Ver a Fig. E)

1. Encaixe a bateria.
2. Continue a carregar no interruptor de ligar/desligar e o indicador de bateria (a) e o indicador de velocidade de corte (c) acenderão.
3. Prima o botão de arranque da lâmina de corte e puxe a alavanca de funcionamento para ligar a máquina.
4. Se o indicador de aviso (d) estiver a piscar, consulte a secção de **Resolução de problemas** para obter soluções.
5. Release the operating bail. The blade stops rotating after a short delay. If the mower cannot stop, remove the battery and contact the service agent.

Indicadores LED

- | | |
|----|----------------------------------|
| a. | INDICADOR DA BATERIA |
| b. | INDICADOR BLUETOOTH |
| c. | INDICADOR DA VELOCIDADE DE CORTE |
| d. | INDICADOR DE AVISO |

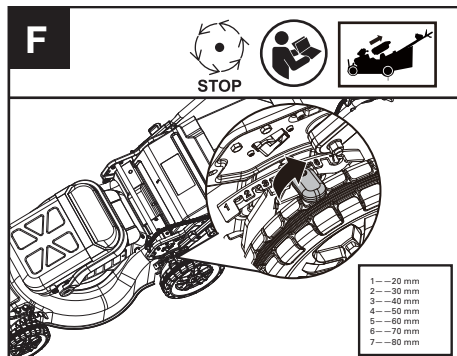
NOTA: O indicador de aviso pisca vermelho ou amarelo em caso de mau funcionamento da máquina. Se a luz vermelha ficar intermitente, procure assistência junto do revendedor. Se a luz amarela piscar, desligue a máquina, retire a bateria, volte a colocar a bateria e ligue a máquina. Se a luz amarela continuar a piscar, procure assistência junto do revendedor.



Ajustar a altura de corte (Ver a Fig. F)

Ajustar a altura de corte através do ajuste das alavancas de altura de corte da roda dianteira e traseira.

NOTA: Certifique-se de que as rodas dianteiras e traseiras são mantidas na mesma posição ao regular a altura.



AVISO! Pare, liberte a alça de funcionamento e espere que o motor pare antes de ajustar a altura. As lâminas continuam a funcionar após ter desligado o corta-relva podendo causar ferimentos. Não toque nas lâminas em movimento.

OPERAÇÃO

LIGAR/PARAR O APARADOR (VER A FIG. G)

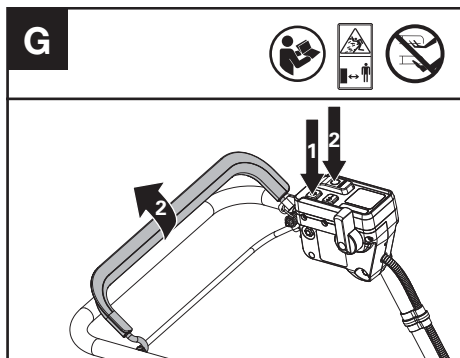
1. Premir o interruptor para ligar/desligar
2. Premir o botão de arranque da lâmina de corte (manter premido) e puxar a alça de operação para iniciar a máquina.
3. Liberte a alça de operação para parar.

AVISO! A lâmina continua a rodar após o cortador de relva ter sido desligado; espere até que tenha parado completamente.

NOTA: Para arrancar, prima ao mesmo tempo o botão de arranque da lâmina de corte e a alavanca de operação.

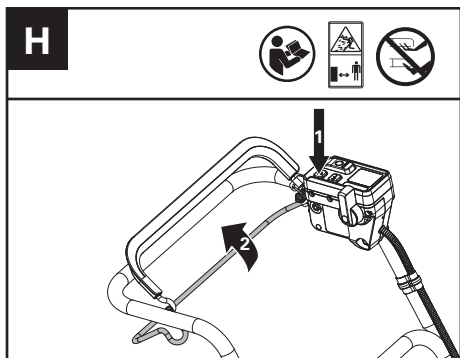
NOTA: Continue a carregar no interruptor de ligar/

desligar e o visor acender-se-á. O visor desligar-se-á automaticamente se não houver qualquer operação dentro de 60 segundos.

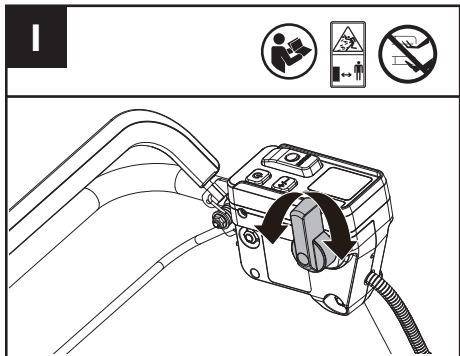


Funcionamento do sistema de autopropulsão (Ver a Fig. H)

1. Premir o interruptor para ligar/desligar
2. Puxe a alavanca de autopropulsão para fazer iniciar o sistema de autopropulsão.
3. Solte a alavanca de acionamento de autopropulsão para parar.

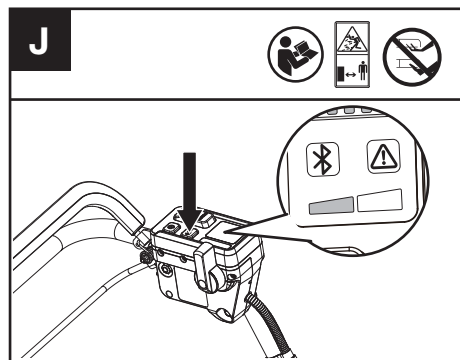


Selecionar a velocidade de autopropulsão (Ver a Fig. I)



Selecionar a velocidade de corte (Ver a Fig. J)

Podem ser selecionados 2 níveis de velocidade de corte, dependendo da aplicação. Use +/- para controlar a velocidade, que é a indicada pelos indicadores LED. Quanto maior for o nível de velocidade de corte, mais rápido é o funcionamento da ferramenta.



SUGESTÕES PARA O MULCHING

Durante a operação de mulching, o corta-relva corta a relva em pedaços mais pequenos espalhando-os de novo pelo relvado. Em condições normais, a relva assim cortada degrada-se mais rapidamente e ajuda a alimentar o relvado. Consulte as recomendações seguintes para um mulching perfeito.

- 1) Evite cortar quando a relva estiver molhada da chuva ou do orvalho. A relva húmida pode formar torrões que interferem com a ação de mulching e reduzem o tempo de funcionamento.
- 2) Para um melhor desempenho em termos do mulching, defina a altura do corte de forma a remover cerca de um terço da altura da relva. O ideal será não remover mais do que 40mm de cada vez. Se a relva estiver muito grande, pode ser necessário aumentar a altura de corte de forma reduzir o esforço necessário e evitar sobrecarregar o motor. Para um mulching mais intenso, recomendamos-lhe que faça o primeiro corte com a altura definida para um valor alto e depois volte a cortar usando a altura de corte final. Caso contrário, faça cortes menores e desloque-se a uma velocidade menor.
- 3) Para o melhor desempenho, mantenha a caixa do cortador livre de acumulação de relva. De vez em quando, desligue o cortador e espere que as lâminas parem completamente. Remova as baterias e vire o cortador de relva de lado. Com um objeto como, por exemplo, um pau, remova qualquer acumulação de relva em volta da área da lâmina. Tenha cuidado com as arestas afiadas da lâmina. Certifique-se de que limpa a área da lâmina frequentemente quando corta relva molhada ou relva nova e sempre após a utilização da máquina.
- 4) Alguns tipos de relva ou a condição do relvado

podem exigir o mulching de uma área uma segunda vez de forma a dispersar totalmente a relva cortada pelo relvado. Se precisar de cortar uma segunda vez, recomendamos-lhe que faça o primeiro corte na perpendicular (através do relvado). NÃO ALTERE O PADRÃO DE CORTE.

- 5) Altere o padrão de corte de semana para semana. Isto ajuda a evitar que a relva fique acamada.
- 6) Não corte a relva em declives com um ângulo superior a 18°.

ÁREA DE CORTE

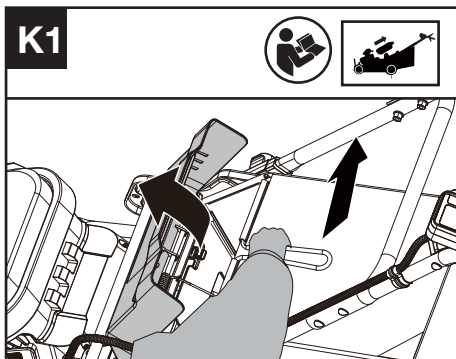
A área de corte pode ser afetada por diversos fatores, tais como a altura de corte, a humidade da relva, o comprimento e a densidade da relva. Além disso, efetuar o arranque e a paragem do cortador de relva demasiadas vezes durante o seu funcionamento reduz a área de corte.

DICAS

- 1) Recomendamos que corte a sua relva mais frequentemente, caminhe a um passo normal e que não efetue o arranque/paragem do cortador de relva demasiadas vezes durante o seu funcionamento.
- 2) Para um melhor desempenho, certifique-se de que a bateria está totalmente carregada e corte sempre a 1/3 ou menos da altura da relva. Sugere-se a instalação de uma nova lâmina antes do início de uma nova época de corte.
- 3) Caminhe lentamente quando cortar relva comprida, de modo a obter um corte mais eficiente e a descarregar apropriadamente a relva cortada.
- 4) Evite cortar relva molhada, pois esta ficará colada à parte inferior da base e a relva cortada não pode ser recolhida ou descarregada apropriadamente.
- 5) Uma altura de corte superior deve ser aplicada a relva fresca ou espessa e, desse modo, a duração da bateria será prolongada.

Remoção/esvaziamento do saco de recolha de relva (Ver a Fig. K1, K2)

⚠ ADVERTÊNCIA! Verifique sempre se a tampa de segurança fechou a saída de descarga antes de utilizar. Nunca levante a tampa de segurança ou remova a alavanca de mulching quando o cortador estiver a ser utilizado sem saco de recolha de relva instalado.



PARA FERRAMENTAS ELÉTRICAS

O intervalo de temperatura ambiente recomendado para descarga é -20 °C ~ 45 °C (-4 °F ~ 113 °F). O intervalo de temperatura ambiente recomendado para o sistema de carregamento durante o carregamento é entre -5 °C ~ 45 °C (23 °F ~ 113 °F).

Detalhes sobre a eliminação segura de baterias usadas:

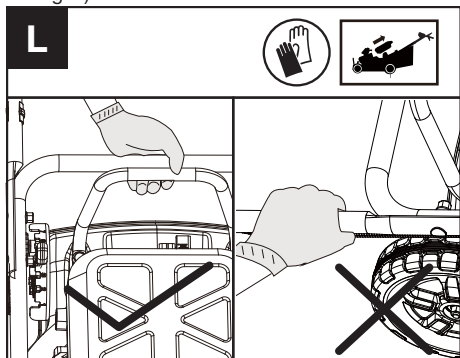
No final da vida útil do aparelho, remova com segurança o conjunto de baterias antes de eliminar o aparelho. Não deite as baterias fora, nem as coloque no lixo doméstico normal. Também não elimine a bateria junto com a máquina. Remova o conjunto de baterias usado do aparelho e elimine na instalação de reciclagem dedicada mais próxima ou conveniente. Em caso de dúvida, consulte o departamento local de proteção ambiental. As baterias podem entrar no ciclo da água se forem eliminadas de maneira inadequada, o que pode ser prejudicial para o ecossistema. Não elimine baterias usadas como resíduo municipal não classificado.

TRANSPORTE

Transporte do cortador

1. Desligue o cortador e remova a bateria.

2. Ao transportar o seu cortador de relva, a autopropulsão pode ser utilizada sem encaixar a lâmina de corte.
3. Para levantar o cortador de relva, recomenda-se que duas pessoas o levantem de cada lado, utilizando a proteção do motor e as áreas de ligação das pegas inferiores como local para pegar.
Ao levantar a máquina no estado dobrado, agarre pela proteção do motor e não pelas pegas. (Ver Fig. L)



Transporte da bateria

1. Certifique-se de que a bateria está em condições de segurança.
2. Use uma embalagem não condutora ao transportar a bateria.
3. As baterias de íões de lítio que contém estão sujeitas aos requisitos da legislação sobre mercadorias perigosas.
Transporte as baterias apenas quando o compartimento da bateria não estiver danificado. Embale as baterias de forma a que não se possam movimentar dentro da embalagem.

MANUTENÇÃO



ADVERTÊNCIA! Pare o cortador e retire a bateria antes de retirar o saco de recolha de relva.

NOTA: Para assegurar um serviço longo e fiável, execute regularmente os seguintes procedimentos de manutenção. Verifique se detecta defeitos óbvios, tais como uma lâmina solta, deslocada ou danificada, acessórios soltos e componentes gastos ou danificados. Verifique se as coberturas e protecções estão todas livres de danos e correctamente ligados ao corta-relva. Leve a cabo quaisquer manutenções ou reparações necessárias, antes de utilizar o corta-relva. Se o corta-relva falhar, apesar da manutenção regular, queira ligar para a nossa linha de ajuda ao cliente, para obter aconselhamento.

AFIAR A LÂMINA

MANTENHA A LÂMINA AFIADA PARA UM MELHOR DESEMPENHO DO CORTADOR DE RELVA. UMA LÂMINA ROMBA NÃO CORTA A

RELVA DE FORMA BEM DEFINIDA NEM A ADUBA CORRETAMENTE.

USE PROTEÇÃO PARA OS OLHOS E LUVAS ANTICORTE AO REMOVER, AFIAR E INSTALAR A LÂMINA.

NOTA: Afiar ou substituir a lâmina a cada 50 horas. A areia faz a lâmina ficar romba rapidamente. Se o seu relvado tiver solo arenoso, poderá ser necessário afiar ou substituir com maior frequência.

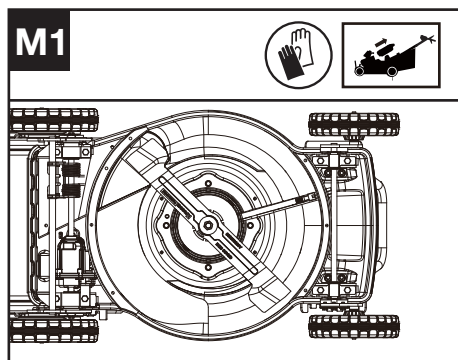
SUBSTITUA IMEDIATAMENTE UMA LÂMINA DOBRADA OU DANIFICADA.

QUANDO DEVE AFIAR A LÂMINA

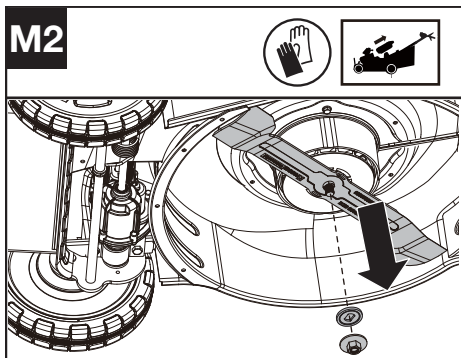
1. Utilize um bloco de madeira evitar que a lâmina gire.
2. Usando um soquete e uma chave, retire o parafuso da lâmina e depois a lâmina. (Veja a secção de remoção da lâmina)
3. Prenda a lâmina num torno, ou similar, para evitar que se mova durante a afiação.
4. Afiar as arestas de corte em ambas as extremidades da lâmina. Certifique-se de que é removida a mesma quantidade de material de ambas as extremidades para manter a lâmina equilibrada.
5. Verifique o equilíbrio da lâmina. (Veja a secção de equilíbrio da lâmina)
6. Recoloque a lâmina pela ordem inversa da desmontagem.
7. Certifique-se de que aperta o parafuso da lâmina com a tensão requerida (25 Nm).

NOTA:

1. Certifique-se de que o cortador de relva está desligado e retire a bateria.
2. Deite o cortador de relva de lado, como mostra a figura M1

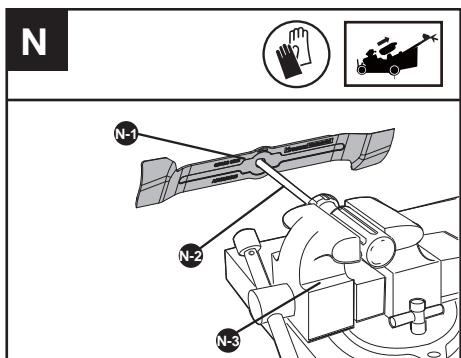


REMOÇÃO DA LÂMINA (VER A FIG. M2)



CALIBRAR A LÂMINA (VER A FIG. N)

Verifique a calibração da lâmina colocando o orifício central da lâmina N-1 sobre um parafuso N-2 e fixa horizontalmente em N-3. Se ambas as extremidades da lâmina rodarem para baixo, afie essa parte da mesma. A lâmina está correctamente calibrada quando nenhuma das extremidades cai.



SUBSTITUIÇÃO DA LÂMINA

-Sugere-se a substituição de diferentes lâminas do cortador de relva de acordo com diferentes condições de trabalho para uma melhor experiência de utilização.

LÂMINA	FUNÇÃO
Lâmina de elevação alta	Recomendada para ensacar
Lâmina Gator	Recomendada para mulching

LIMPEZA

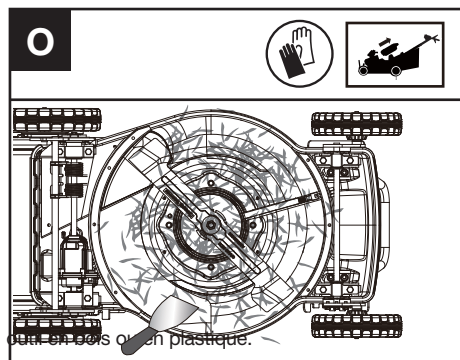
1. Pare o cortador e remova a bateria.
2. Não utilize detergentes ou solventes agressivos. Limpe a máquina após a utilização com um pano húmido mergulhado em detergente neutro.

3. Mantenha a ficha livre de matérias estranhas e limpe-a com uma escova ou um pano macio e seco.
4. Não pulverize água sobre o motor e os componentes eléctricos.
5. Não utilize uma máquina de lavar sob pressão para limpar a sua máquina.

Limpeza da plataforma e da área da lâmina. (Ver a Fig. O)

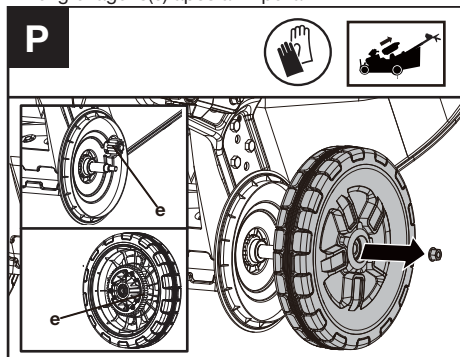
Limpeza de aparas de relva e detritos da plataforma e da área da lâmina.

Se as aparas de relva ficarem compactadas na área da lâmina, remova-as com um utensílio de madeira ou plástico.



Limpeza das rodas. (Ver a Fig. P)

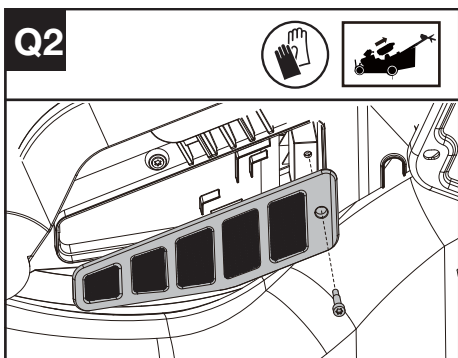
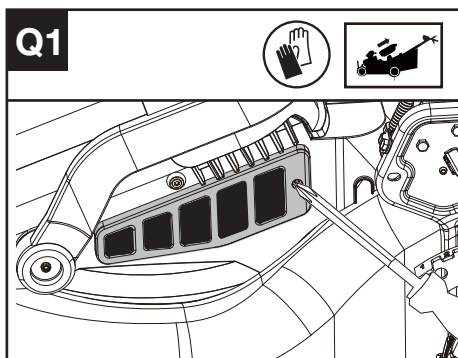
- Pare o cortador de relva e remova a bateria.
- Limpeza das rodas a cada 50 horas ou com maior frequência em condições extremas.
- Remova as rodas traseiras e limpe as aparas de relva e os detritos da área de encaixe das rodas.
- Sugere-se a aplicação de uma pequena quantidade de composto antiaderente nas engrenagens(e) após a limpeza



Limpar o filtro de ar (Ver a Fig. Q1, Q2)

1. Limpe a área em redor do filtro de ar. Utilizar um pano húmido ou uma escova macia.
2. Desaparafuse e remova o filtro de ar.

3. Lave o filtro de ar com água corrente para remover a sujidade.
4. Deixe que o filtro de ar seque ao ar livre. E depois instale-o na caixa apertando o parafuso.



ARMAZENAMENTO

1. Pare o cortador e remova a bateria.
2. Limpe bem o exterior da máquina com uma escova e um pano macio. Não utilize solventes ou produtos de polimento. Remova toda a relva e detritos, especialmente das ranhuras de ventilação, placa de mulching, área da lâmina e das rodas.
3. Armazene a máquina num local seco, onde esteja fora do alcance de crianças e outras pessoas não autorizadas. Não coloque outros objetos em cima da máquina.
4. Para ajudar ao armazenamento, dobrar a barra da pega.
5. Guarde a bateria apenas a uma temperatura entre os 5 °C (41 °F) e os 25 °C (77 °F). Por exemplo, não deixe as baterias dentro de um automóvel no verão.
6. Recomenda-se que uma vez molhada durante o funcionamento com chuva, a máquina e a bateria devem ser secas antes de serem armazenadas ou carregadas. Remover a bateria e voltar a inseri-la se a máquina não ligar.

RESOLUÇÃO DE PROBLEMAS

quadro seguinte apresenta problemas e ações que pode realizar se a sua máquina não funcionar corretamente.




AVISO: Desligue a máquina e remova a bateria antes de tentar resolver qualquer problema.

PROBLEMAS	AÇÃO DE CORRECÇÃO
1. O cortador de relva não funciona quando a alça de operação é ativada.	A. Verifique se o botão de arranque da lâmina de corte está a ser completamente premido. B. Liberte a alavanca de operação para desligar o cortador. Retire a bateria, vire o cortador de relva e verifique se a lâmina está livre para rodar. Se não rodar livremente, devolva a máquina a um representante de assistência autorizado. A lâmina deve funcionar livremente. C. A bateria foi totalmente carregada? Ligue o carregador e espere até que a luz verde se acenda. D. Para arrancar, prima ao mesmo tempo o botão de arranque da lâmina de corte e a alavanca de operação.
2. O motor pára durante o corte.	A. Liberte a alavanca de operação para desligar o cortador. Remova a bateria, vire o cortador de relva para verificar se o mesmo está obstruído com detritos, remova os detritos da área de rotação da lâmina. Depois, verifique se a lâmina está livre para rodar. Se não rodar livremente, devolva a máquina a um representante de assistência autorizado. A lâmina deve rodar livremente. B. Eleve a altura de corte das rodas para a posição mais elevada e ligue o cortador. C. A bateria foi completamente carregada? Insira a ficha do carregador e aguarde que a luz verde acenda. D. Evite sobrecarregar o cortador. Diminua a velocidade de corte ou eleve a altura de corte. Ou ambos.
3. O motor pára durante o corte ou não corta toda a relva.	A. A bateria foi completamente carregada? Insira a ficha do carregador e aguarde que a luz verde acenda. B. Liberte a alavanca de operação para desligar o cortador. Remova a bateria Vire o cortador de relva e verifique: Se a lâmina está afiada - Mantenha a lâmina afiada. Se a plataforma e a boca de descarga não estão obstruídas. C. O ajuste de altura das rodas poderá ser demasiado baixo para as condições da relva. Eleve a altura de corte.
4. É excessivamente difícil empurrar o cortador.	A. Eleve a altura de corte para reduzir o efeito de arrastamento da estrutura na relva. Verifique se todas as rodas giram livremente.
5. O cortador emite ruído e vibração anormais.	A. Liberte a alavanca de operação para desligar o cortador. Remova a bateria Vire o cortador de lado e verifique a lâmina para se certificar de que não foi danificada. Se a lâmina estiver danificada, substitua por uma lâmina nova. Se a parte inferior da plataforma estiver danificada, devolva o cortador a um centro de assistência autorizado. B. Se não houver danos visíveis na lâmina e o cortador de relva ainda vibrar: Liberte a alavanca de funcionamento para desligar o cortador de relva, remova a bateria e remova a lâmina. Rode a lâmina 180 graus e volte a apertar. Se o cortador ainda vibrar, devolva o cortador a um centro de serviço de assistência autorizado.
6. Os LED do carregador não acendem.	A. Verifique se a ficha está ligada. B. Volte a ligar o carregador.

7. O LED do carregador da bateria não muda para verde.	A. É necessário realizar o diagnóstico da bateria. Levar ao centro de assistência autorizado.
8. O cortador não aspira aparas com o saco.	A. A boca de descarga está entupida. Liberte a alavanca de funcionamento para desligar o cortador de relva. Remova a bateria Limpe todas as aparas de relva da boca de saída. B. Demasiada relva cortada. Aumente a altura de corte das rodas para encurtar o comprimento do corte. C. Saco cheio. Esvazie o saco com mais frequência.
9. Quando realiza mulching, os cortes estão visíveis.	A. Corte excessivo de relva. Eleve a altura de corte das rodas para diminuir o comprimento do corte. Não corte mais de 1/3 do comprimento total. B. Verifique se a lâmina está afiada. Mantenha sempre a lâmina afiada. C. Reduza a velocidade se a relva for alta ou extremamente espessa.
10. Tempo de funcionamento baixo ou diminuído após demasiadas utilizações.	A. Devolva ao local de Assistência Autorizada – pode necessitar de uma bateria nova.
11. O indicador de aviso está a piscar.	A. Desligue a máquina e retire a bateria, volte a colocar a bateria e ligue a máquina. B. Contacte o agente do serviço de assistência.

DADOS TÉCNICOS

Tipo Designation: **KC720 KC720.X (720-designação de maquinaria, representativa do cortador de relva com plataforma de aço reforçado SP)**

	KC720 KC720.X **
Tensão	60V  Max***
Material da plataforma	Aço reforçado -1.8 mm
Largura de corte	47 cm
Velocidade máx. de autopropulsão	6.4 km/h
Altura de corte	20-80 mm
Posições para a altura de corte	7
Capacidade de recolha de relva	70 L
Nível de proteção	IPX4
Tempo de funcionamento	70min@11Ah****
Peso da máquina (sem bateria)	38 kg

** X = 1-999, A-Z, M1-M9, são utilizados apenas para clientes diferentes, não há alterações relevantes seguras entre esses modelos.

*** Tensão medida sem carga. A tensão inicial da bateria atinge o máximo de 60 volts. A tensão nominal é de 54 volts.

**** O tempo de funcionamento pode variar dependendo de como a ferramenta é utilizada e das condições da relva. O nível de velocidade de corte selecionado afeta o tempo de funcionamento da bateria. Quanto menor for o nível de velocidade de corte, maior é o tempo de funcionamento.

BATERIAS E CARREGADORES SUGERIDOS

Baterias	Capacidade	Carregador	Amperage
KAC810	11 Ah	KAC840	30 A

Recomendamos que compre os seus acessórios no mesmo revendedor que lhe vendeu a ferramenta. Consulte a embalagem do acessório para obter mais detalhes. O seu revendedor pode ajudá-lo e oferecer conselhos.

ESPECIFICAÇÕES TÉCNICAS PARA O MÓDULO DE BATERIA (OPCIONAL)

Bandas de frequência para Bluetooth	2400-2483.5 MHz
Potência máxima transmitida para Bluetooth	8 dBm

INFORMAÇÃO DE VIBRAÇÃO

Pressão de som avaliada $L_{pA} = 83.2 \text{ dB(A)}$

K_{pA} 3 dB(A)

Potência de som avaliada $L_{wA} = 95.84 \text{ dB(A)}$

K_{wA} 0.65 dB(A)

Use protecção de ouvidos



INFORMAÇÃO DE VIBRAÇÃO

Vibração característica ponderada $a_h < 2.5 \text{ m/s}^2$

Instabilidade $K = 1.5 \text{ m/s}^2$

! **AVISO** Os valores de emissão de vibração durante a utilização da ferramenta podem divergir dos valores declarados, dependendo da forma como a ferramenta é utilizada, dependendo dos exemplos seguintes e de outros modos de utilização: O modo como a ferramenta é utilizada, os materiais a cortar ou perfurar.

A ferramenta estar em boas condições e bem conservada.

A utilização do acessório correcto para a ferramenta e a garantia de que está afiada e em boas condições.

A firmeza com que se segura nas pegas e se quaisquer acessórios vibratórios são utilizados.

Se a ferramenta é utilizada para o objectivo para a qual foi concebida e segundo as instruções.

Esta ferramenta pode causar síndrome de vibração mão-braço, se não for adequadamente utilizada.

! **AVISO:** Para ser preciso, uma estimativa do nível de exposição nas condições actuais de utilização devem ter em conta todas as partes do ciclo de operação, como tempos em que a ferramenta está desligada e quando está em funcionamento, mas inactiva, ou seja, não realizando o seu trabalho. Isto poderá reduzir significativamente o nível de exposição durante o período total de trabalho.

Como minimizar o seu risco de.

Utilize SEMPRE formões, brocas e lâminas afiadas.

Mantenha esta ferramenta de acordo com as instruções e bem lubrificada (quando aplicável).

Se a ferramenta for utilizada regularmente, invista em acessórios anti-vibração.

Planeie o seu horário de trabalho de forma a distribuir a utilização de ferramentas de alta vibração ao longo de vários dias.

PROTECÇÃO AMBIENTAL

! Os equipamentos eléctricos não devem ser depositados com o lixo doméstico. Se existirem instalações adequadas deve reciclá-los. Consulte a sua autoridade local para tratamento de lixos ou fornecedor para obter aconselhamento sobre reciclagem.

DECLARAÇÃO DE CONFORMIDADE

Nós,
Positec Germany GmbH
Postfach 680194, 50704 Cologne, Germany

Em nome da Positec, declara que o produto
Descrição **Cortador de relva alimentado a bateria**
Tipo **KC720 KC720.X (720-designação de maquinaria, representativa do cortador de relva com plataforma de aço reforçado SP)**
Função **corte de relva**

Cumpra as seguintes Directivas,
2006/42/EC, 2014/30/EU, 2011/65/EU & (EU)
2015/863, 2000/14/EC rectificada em 2005/88/EC

2000/14/EC rectificada em 2005/88/EC:
- Processo de Avaliação de Conformidade segundo **Annex VI**
- Nível de Volume de Som Medido **95.84 dB (A)**
- Nível de Volume de Som Garantido **96 dB (A)**

Organismo notificado envolvido
Nome: TÜV Rheinland LGA Products GmbH
(Organismo notificado 0197)
Morada: Tillystraße 2-90431 Nürnberg

Normas em conformidade com
EN 62841-1, EN IEC 62841-4-3, EN ISO 3744, EN IEC 55014-1, EN IEC 55014-2, EN IEC 63000

Pessoa autorizada a compilar o ficheiro técnico,
Nome **Marcel Filz**
Endereço **Positec Germany GmbH**
Postfach **680194, 50704 Cologne, Germany**



2024/02/05
Allen Ding
Engenheiro-chefe adjunto, Teste e Certificação
Positec Technology (China) Co., Ltd
18, Dongwang Road, Suzhou Industrial
Park, Jiangsu 215123, P. R. China

INHOUDSOPGAVE

Inleiding.....	116
Onderdelenlijst.....	118
Productveiligheid.....	119
Assemblage en bediening.....	123
Vervoer.....	127
Onderhoud.....	128
Reiniging.....	129
Opslag.....	130
Problemenoplossen.....	131
Technischegegevens.....	132
NL Bescherming van het milieu.....	133
Conformiteitverklaring.....	134

INLEIDING

Beste klant,

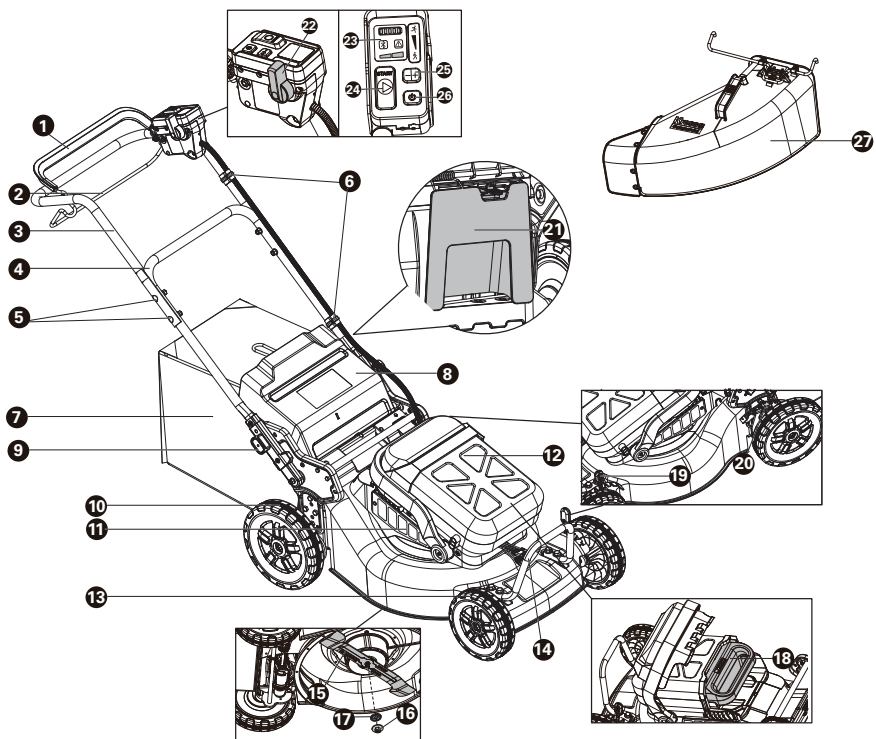
Dank u voor het kopen van dit Kress Commercial-product. Wij zijn toegewijd aan het ontwikkelen van producten van hoge kwaliteit om aan uw commerciële hoveniersvereisten te voldoen.

Het merk Kress staat synoniem voor service van topkwaliteit. Als u tijdens de levensduur van uw product vragen of twijfels hebt over uw product, neem dan contact op met uw distributeur of onze klantendienst voor hulp.

Wij zijn ervan overtuigd dat u nog jarenlang plezier zult beleven aan het werken met uw Kress-product.

BEOOGD GEBRUIK

Dit product is bedoeld voor commercieel gebruik.



DRIE SNELHEIDSINSTELLINGEN

1. **BEDIENINGSBEUGEL (INSCHAKELING VAN HET MES)**
2. **BEUGEL VOOR ZELFAANDRIJVING**
3. **BOVENSTE HANDGREEP**
4. **ONDERSTE HANDGREEP**
5. **HANDGREEPBEVESTIGINGEN**
6. **KABELKLEM**
7. **GRASOPVANGZAK**
8. **VEILIGHEIDSFLAP**
9. **HOOGTE-INSTELKNOP**
10. **ACHTERWIEL**
11. **LUCHTFILTER**
12. **DEKSEL VAN ACCUVAK**
13. **VOORWIEL**
14. **MOTORBEVEILIGING**
15. **MES**
16. **MESBOUT**
17. **AFSTANDHOUDER**
18. **ACCUPAKKET***
19. **VOORSTE HENDEL VOOR MAAIHOOGTE-INSTELLING**
20. **ACHTERSTE HENDEL VOOR MAAIHOOGTE-INSTELLING**
21. **MULCHING-PLUG**
22. **SNELHEIDSREGELING VOOR ZELFAANDRIJVING**
23. **LED-INDICATOREN**
24. **STARTKNOP VOOR MAAIMES**
25. **MAAISNELHEIDSREGELING**
26. **AAN/UIT-SCHAKELAAR**
27. **ZIJ-UITWORPGOOT***

* Sommige afgebeelde of beschreven toebehoren worden niet meegeleverd.

OORSPRONKELIJKE GEBRUIKSAANWIJZING PRODUCTVEILIGHEID ALGEMENE VEILIGHEIDSWAARSCHUWINGEN VOOR VERMOGENS MACHINE



WAARSCHUWING: Lees alle veiligheidswaarschuwingen, instructies, illustraties en specificaties die bij dit elektrisch gereedschap werden meegeleverd. Het niet opvolgen van alle onderstaande voorschriften kan tot een elektrische schok, brand en/of ernstig persoonlijk letsel leiden.

Bewaar alle waarschuwingen en instructies voor latere naslag.

De term “(elektrisch) gereedschap” in de waarschuwingen hieronder, verwijst naar uw op netspanning werkende gereedschap (met stroomdraad) of uw accugereedschap (draadloos).

1) WERKGEBIED

- a) Houd uw werkgebied schoon en zorg ervoor dat deze goed verlicht is. In rommelige en slecht verlichte werkgebieden gebeuren sneller ongelukken.
- b) Gebruik elektrisch gereedschap niet in explosieve atmosferen, zoals in de nabijheid van ontvlambare vloeistoffen, gassen of stof. Elektrisch gereedschap veroorzaakt vonken die de stof of de gassen kunnen doen ontvlammen.
- c) Houd kinderen en omstanders uit de buurt terwijl u met elektrisch gereedschap werkt. Aflleidingen kunnen ervoor zorgen dat u de controle over het gereedschap verliest.

2) ELEKTRISCHE VEILIGHEID

- a) De stekker van het elektrisch gereedschap moet passen in het stopcontact. Pas de stekker op geen enkele manier aan om te zorgen dat hij wel past. Gebruik geen adapterstekkers terwijl u geaard elektrisch gereedschap gebruikt. Onaangepaste stekkers die in het stopcontact passen, verminderen de kans op een elektrische schok.
 - b) Vermijd lichamelijke contact met geaarde of gegronde oppervlakken, zoals buizen, radiatoren, fornuizen en koelkasten. Als uw lichaam geaard of geground is, is er een grotere kans op een elektrische schok.
 - c) Gebruik de machine niet in regen of natte omstandigheden. Dit kan het risico op een elektrische schok vergroten.
 - d) Gebruik de stroomdraad niet op een andere manier dan waarvoor deze gemaakt is. Trek niet aan de stroomdraad, ook niet om de stekker uit het stopcontact te krijgen en draag het gereedschap niet door het aan de stroomdraad vast te houden. Houd de stroomdraad uit de buurt van hitte, olie, scherpe hoeken en bewegende onderdelen. Beschadigde of verwarde stroomdraden vergroten de kans op een elektrische schok.
 - e) Wanneer u het elektrische gereedschap buitenshuis gebruikt, dient u te zorgen voor een verlengsnoer dat geschikt is voor gebruik buitenshuis. Het gebruik van een verlengsnoer dat geschikt is voor gebruik buitenshuis, vermindert de kans op een elektrische schok.
 - f) Moet een krachtmachine in een vochtige locatie worden gebruikt, gebruik dan een aardlekschakelaar (ALS). Een ALS vermindert het gevaar op elektrische schokken.
- ### 3) PERSOONLIJKE VEILIGHEID
- a) Blijf alert, kijk waar u mee bezig bent en gebruik uw gezonde verstand wanneer u met elektrisch gereedschap werkt. Gebruik geen elektrisch gereedschap wanneer u moe bent of onder de invloed van drugs, alcohol of medicijnen. Een moment van onoplettendheid bij het gebruik van elektrisch gereedschap kan leiden tot ernstig persoonlijk letsel.
 - b) Gebruik een veiligheidsuitrusting. Draag altijd oogbescherming. Een veiligheidsuitrusting, zoals een stofmasker, schoenen met antislipzolen, een veiligheidshelm, of oorbescherming die onder de juiste omstandigheden gebruikt wordt, vermindert de kans op persoonlijk letsel.
 - c) Pas op dat het apparaat niet onbedoeld wordt gestart. Zorg ervoor dat de schakelaar uit staat voordat u de voeding en/of batterij aansluit, en als u de machine oppakt en draagt. Gereedschap dragen terwijl u uw vinger op de schakelaar houdt, of de stekker in het stopcontact steken terwijl het gereedschap ingeschakeld staat, is vragen om ongelukken.
 - d) Verwijder inbussleutels of moersleutels voordat u het gereedschap inschakelt. Een sleutel die nog in of op een draaiend onderdeel van het elektrische gereedschap zit, kan leiden tot ernstig persoonlijk letsel.
 - e) Werk niet boven uw macht. Zorg er altijd voor dat u stevig staat en goed in balans bent. Hierdoor heft u betere controle over het gereedschap in onverwachte situaties.
 - f) Draag geschikte kleding. Draag geen loszittende kleding of sieraden. Houd uw haar en kleding uit de buurt van bewegende onderdelen. Loszittende kleding, sieraden of lang haar kan vast komen te zitten in bewegende onderdelen.
 - g) Wanneer er apparaten worden bijgeleverd voor stofafzuiging en -opvang, zorg er dan voor dat deze aangesloten zijn en op de juiste manier gebruikt worden. Het gebruik van deze apparaten vermindert de gevaren die door stof kunnen ontstaan.
 - h) Als u gereedschap veelvuldig gebruikt, dan kan dit leiden tot het negeren van de veiligheidsprincipes, probeer dit te

vermijden. Een achteloze actie kan binnen een fractie van een seconde leiden tot ernstig letsel.

4) GEBRUIK EN ONDERHOUD VAN ELEKTRISCH GEREEDSCHAP

- a) **Forceer het gereedschap niet.** Gebruik gereedschap dat voor de toepassing geschikt is. Het gebruik van geschikt gereedschap levert beter werk af en werkt veiliger als het gebruikt wordt op de snelheid waar het voor ontworpen is.
- b) **Gebruik het gereedschap niet wanneer de aan/uitschakelaar niet functioneert.** Gereedschap dat niet kan worden bediend met behulp van de schakelaar is gevaarlijk en dient te worden gerepareerd.
- c) **Neem de stekker uit het stopcontact en/of verwijder de batterij voordat u instellingen verandert, toebehoren vervangt of de machine opbergt.** Deze preventieve veiligheidsmaatregelen verminderen de kans op het ongewild inschakelen van het gereedschap.
- d) **Berg gereedschap dat niet gebruikt wordt buiten het bereik van kinderen op en laat personen die niet bekend zijn met het gereedschap of met deze veiligheidsinstructies het gereedschap niet bedienen.** Elektrisch gereedschap kan in de handen van ongetrainde gebruikers gevaarlijk zijn.
- e) **Onderhoud elektrisch gereedschap op de juiste wijze. Controleer of bewegende onderdelen nog goed uitgelijnd staan, of ze niet ergens vastzitten en controleer op elke andere omstandigheid die ervoor kan zorgen dat het gereedschap niet goed functioneert. Wanneer het gereedschap beschadigd is, dient u het te repareren voordat u het in gebruik neemt.** Veel ongelukken worden veroorzaakt door slecht onderhouden elektrisch gereedschap.
- f) **Houd snijdend gereedschap schoon en scherp.** Goed onderhouden snijdend gereedschap met scherpe zaagbladen/messen zal minder snel vastlopen en is makkelijker te bedienen.
- g) **Gebruik het gereedschap, de accessoires, de bitjes, enz. in overeenstemming met deze instructies en op de manier zoals bedoeld voor het specifieke type elektrisch gereedschap, rekening houdend met de werkomstandigheden en het uit te voeren werk.** Het gereedschap gebruiken voor andere doeleinden dan waar deze voor ontworpen is, kan gevaarlijke situaties opleveren.
- g) **Houd de handgrepen en grijppoppervlakten droog, schoon en vrij van olie en smeermiddel.** Glibberige handgrepen en grijppoppervlakten laten geen veilige hantering toe, en zorgen ervoor dat u geen controle hebt over het gereedschap in onverwachte omstandigheden.

5) GEBRUIK EN ONDERHOUD VAN

ACCUGEREEDSCHAP

- a) **Laad het accupack alleen op met de door de fabrikant aangegeven oplader.** Een oplader die geschikt is voor het ene type accupack, kan brand veroorzaken wanneer die gebruikt wordt voor een ander type accupack.
 - b) **Gebruik het gereedschap uitsluitend met het aangegeven accupack.** Door het gebruik van andere accupacks ontstaat de kans op letsel of brand.
 - c) **Wanneer het accupack niet gebruikt wordt, dient u het uit de buurt te houden van metalen voorwerpen, zoals paperclips, munten, sleutels, spijkers, schroeven of andere kleine metalen voorwerpen die een verbinding kunnen maken tussen de contactpunten van de terminal.** Het kortsluiten van de accuterminals kan zorgen voor brandwonden of brand.
 - d) **Onder extreme omstandigheden kan er vloeistof uit de accu lopen; raak deze vloeistof niet aan. Wanneer u toch onverhoopt met de vloeistof in aanraking komt, dient u dit onmiddellijk af te spelen met water.** Wanneer de vloeistof in de ogen komt, dient u zo snel mogelijk een arts te raadplegen. Vloeistof die afkomstig is uit de accu kan irritatie of brandwonden veroorzaken.
 - e) **Gebruik geen accu of gereedschap dat beschadigd of aangepast is.** Beschadigde of aangepaste accu's kunnen onvoorspelbaar reageren, wat kan leiden tot brand, explosie of het veroorzaken van letsel.
 - f) **Stel een accu of gereedschap niet bloot aan vuur of extreme temperatuur.** Blootstelling aan brand of een temperatuur boven 130 °C kan explosie veroorzaken.
 - g) **Volg alle instructies en laad de accu of het gereedschap niet op buiten het temperatuurbereik dat vermeld is in de handleiding.** Onjuist opladen of opladen bij temperaturen buiten het aangegeven bereik kan de accu beschadigen en het risico op brand vergroten.
- #### 6) SERVICE
- a) **Laat uw elektrisch gereedschap repareren door een bevoegde reparateur die alleen originele reserveonderdelen gebruikt.** Zo bent u er zeker van dat uw gereedschap veilig blijft.
 - b) **Repareer nooit beschadigde accu's.** Reparatie van accu's mag alleen worden uitgevoerd door de fabrikant of geautoriseerde onderhoudstechnici.

VEILIGHEIDSWAARSCHUWINGEN VOOR GRASMAAIER

- a) **Gebruik de grasmaaiër niet tijdens slechte weersomstandigheden, in het bijzonder wanneer er kans op onweer is.** Dit verlaagt het risico om geraakt te worden door de bliksem.

- b) **Inspecteer het gebied waar de grasmaaier zal worden gebruikt grondig op wilde dieren.** Tijdens het gebruik kunnen wilde dieren door de grasmaaier worden verwond.
- c) **Inspecteer het gebied waar de grasmaaier gebruikt gaat worden grondig en verwijder alle stenen, stokken, draden, botten en andere vreemde voorwerpen.** Weggeslingerde voorwerpen kunnen persoonlijk letsel veroorzaken.
- d) **Weggeslingerde voorwerpen kunnen persoonlijk letsel veroorzaken.** Versleten of beschadigde onderdelen verhogen het risico op letsel.
- e) **Versleten of beschadigde onderdelen verhogen het risico op letsel.** Een versleten of beschadigde grasopvangbak kan het risico op persoonlijk letsel vergroten.
- f) **Houd afschermingen op hun plaats. Afschermingen moeten in goede staat verkeren en correct zijn gemonteerd.** Een afscherming die los zit, beschadigd is of niet goed functioneert, kan persoonlijk letsel tot gevolg hebben.
- g) **Houd alle inlaten voor koellucht vrij van vuil.** Geblokkeerde luchtinlaten en vuil kunnen oververhitting of brandgevaar veroorzaken.
- h) **Draag altijd antislip en beschermend schoeisel tijdens het gebruik van de grasmaaier. Bedien de grasmaaier niet op blote voeten of met open sandalen aan.** Dit vermindert de kans op letsel aan de voeten door contact met het bewegende mes.
- i) **Dit vermindert de kans op letsel aan de voeten door contact met het bewegende mes.** Blootgestelde huid vergroot de kans op letsel door weggeslingerde voorwerpen.
- j) **Gebruik de grasmaaier niet in nat gras. Lopen, nooit rennen.** Dit vermindert het risico op uitglijden en vallen, wat kan leiden tot persoonlijk letsel.
- k) **Gebruik de grasmaaier niet op extreem steile hellingen.** Dit vermindert het risico van verlies van controle, uitglijden en vallen, wat kan leiden tot persoonlijk letsel.
- l) **Zorg er bij het werken op hellingen altijd voor dat u stevig staat, werk altijd dwars over hellingen, nooit op of neer en wees uiterst voorzichtig bij het veranderen van richting.** Dit vermindert het risico van verlies van controle, uitglijden en vallen, wat kan leiden tot persoonlijk letsel.
- m) **Wees uiterst voorzichtig wanneer u de grasmaaier achteruitrijdt of naar u toe trekt. Wees altijd bewust van uw omgeving.** Dit vermindert het risico op struikelen tijdens bedrijf.
- n) **Raak de messen en andere gevaarlijke bewegende delen niet aan terwijl ze nog in beweging zijn.** Dit verkleint de kans op letsel door bewegende delen.
- o) **Wanneer vastgelopen materiaal wordt verwijderd of de grasmaaier gereinigd, zorg er dan voor dat alle stroomschakelaars uit**

staan en dat de batterij is losgekoppeld. Onverwachte bediening van de grasmaaier kan leiden tot ernstig persoonlijk letsel.

BATTERIJVEILIGHEID VEILIGHEIDSINSTRUCTIES VOOR HET ACCUPACK

- a) **Batterijcellen en accupacks mogen niet gedemonteerd, geopend of vernietigd worden.**
- b) **Sluit accupacks niet kort. Bewaar accupacks niet willekeurig in een doos of lade waar ze elkaar kunnen kortsluiten of door geleidende voorwerpen kortgesloten kunnen worden.** Houd het accupack op een afstand van andere metalen voorwerpen als paperclips, muntstukken, sleutels, nagels, schroeven en andere kleine metalen voorwerpen die de contacten van de accupack kunnen verbinden. Kortgesloten contacten van accupacks kunnen brandwonden of brand veroorzaken.
- c) **Stel accupacks niet bloot aan warmte of vuur. Vermijd opslag in direct zonlicht.**
- d) **Stel accupacks niet bloot aan mechanische schokken.**
- e) **Als een accu lekt dient men voorzichtig te zijn dat de vloeistof niet in contact komt met de huid of de ogen. Als dat toch gebeurt spoelt men de huid onder stromend water en raadpleegt men een arts.**
- f) **Houd batterijcellen en accupacks schoon en droog.**
- g) **Veeg de aansluitingen van het accupack schoon met een droge doek als ze vuil zijn geworden.**
- h) **Accupacks moeten voor gebruik worden opgeladen. Lees de gebruiksaanwijzing voor de juiste laadinstructies.**
 - i) **Laat accupacks niet langdurig opladen als ze niet worden gebruikt.**
 - j) **Na een lange opslagperiode kan het nodig zijn het accupack enkele keren op te laden en te ontladen voor een optimale prestatie.**
- k) **Laad alleen op met een lader met de technische gegevens van Kress. Gebruik geen andere lader dan de lader die specifiek voor dat doel met de apparatuur is meegeleverd.**
- l) **Gebruikt geen accupack dat niet bedoeld is voor gebruik met deze apparatuur.**
- m) **Houd accupacks buiten het bereik van kinderen.**
- n) **Bewaar de oorspronkelijke instructies van het product voor latere gebruik.**
- o) **Verwijder het batterijpakket uit de apparatuur als het niet in gebruik is.**
- p) **Volg de juiste procedure voor afvalverwijdering na afranken van dit apparaat.**
- q) **Gebruik geen cellen van verschillende fabrikanten, capaciteit, afmetingen of typen binnen een apparaat.**
- r) **Houd de accu uit de buurt van microgolven en**

hoge druk.

- s) **Waarschuwing! Gebruik geen niet-oplaadbare batterijen.**

GEBRUIKERSHANDLEIDING VOOR VEREISTEN VAN SNOERLOZE PRODUCTEN

- a) Het gebruik van dit apparaat is onderhevig aan de volgende twee voorwaarden:
(1) Dit apparaat mag geen schadelijke storing veroorzaken, en
(2) dit apparaat moet alle ontvangen storing aanvaarden, met inbegrip van storing die ongewenste werking kan veroorzaken.
- b) Let op: Wijzigingen of aanpassingen aan dit apparaat die niet uitdrukkelijk zijn goedgekeurd door de instantie, die verantwoordelijk is voor de naleving, kunnen het recht van de gebruiker om het apparaat te bedienen tenietdoen.
- c) **OPMERKING:** Dit apparaat genereert, gebruikt en kan radiofrequentie-energie uitstralen en kan, indien niet volgens de instructies geïnstalleerd en gebruikt, schadelijke storing aan radiocommunicatie veroorzaken. Er is echter geen garantie, dat er in een bepaalde installatie geen storing zal optreden. Als dit apparaat schadelijke storing veroorzaakt aan de ontvangst van radio of televisie, hetgeen kan worden vastgesteld door het apparaat aan en uit te zetten, wordt de gebruiker aangeraden, te proberen deze storing te verhelpen door één of meerdere van de volgende maatregelen te nemen:
- Heroriënteer of verplaats de ontvangstantenne.
 - Vergroot de afstand tussen de apparatuur en de ontvanger.
 - Sluit de apparatuur aan op een stopcontact van een ander circuit dan dat waarop de ontvanger is aangesloten.
 - Raadpleeg de leverancier of een ervaren radio/tv-technicus voor hulp.

	WAARSCHUWING – Houd handen en voeten uit de buurt van de messen
	WAARSCHUWING – Koppel de batterij los vóór onderhoud
	De messen blijven nog even doordraaien nadat de machine is uitgeschakeld. Wacht tot alle onderdelen van de machine helemaal tot stilstand zijn gekomen voor u deze aanraakt.
	Draag beschermende handschoenen.
	Verwijder de batterij uit de houder voor alle instel-, service- of onderhoudswerkzaamheden.
	Als de batterij niet correct wordt gebruikt, kan deze de waterkringloop binnendringen en schade aan het ecosysteem veroorzaken. Gooi gebruikte batterijen niet weg als ongesorteerd gemeentelijk afval
	Steek niet brand
	Hoge snelheid
	Lage snelheid
 Li-Ion 	Lithium-ionbatterij, die is gelabeld met de symbolen die horen bij "gescheiden inzameling" van alle batterijpakketten en batterijpakketten. Het wordt vervolgens gerecycled of verwijderd om de milieupact te verminderen. Batterijpakketten kunnen schadelijk zijn voor het milieu en de volksgezondheid omdat ze schadelijke stoffen bevatten.

SYMBOLEN

	Lees de gebruikershandleiding om het risico op letsels te beperken
	WAARSCHUWING
	WAARSCHUWING – Pas op voor weggeslingerde voorwerpen – houd omstanders op afstand



Afgedankte elektrische producten kunt u niet met het normale huisafval weggooiden. Breng deze producten, indien mogelijk, naar een recyclecentrum bij u in de buurt. Vraag de verkoper of de gemeente naar informatie en advies over het recyclen van elektrische producten.

ASSEMBLAGE EN BEDIENING



OPMERKING: Lees vóór gebruik van het gereedschap de gebruiksaanwijzing zorgvuldig door.

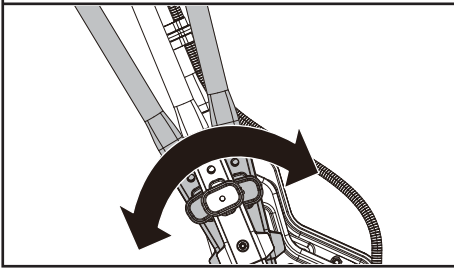


VÓÓR GEBRUIK

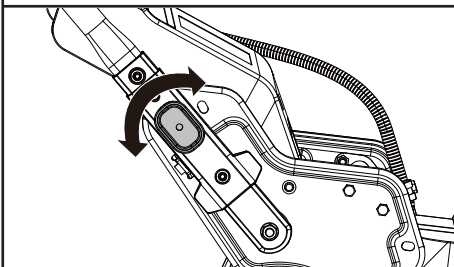
De hoogte van de handgreep instellen en de onderste handgrepen monteren. (Zie afb. A1, A2)

Er kunnen 3 hoogteniveaus worden geselecteerd. Selecteer de juiste hoogte en draai aan de hoogte-instelknop.

A1

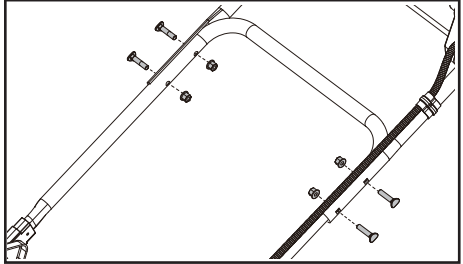


A2



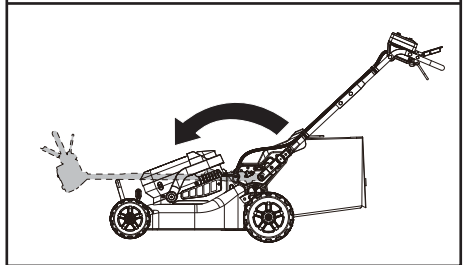
Montage van de bovenste handgreep. (Zie afb. A3)

A3



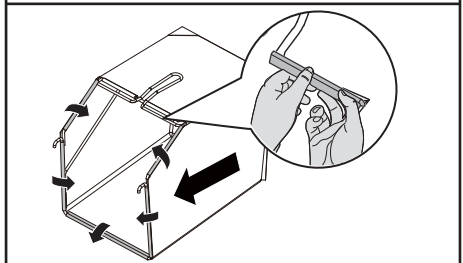
OPMERKING: De handgrepen kunnen worden ingeklapt voor vervoer of opslag buiten het seizoen. (Zie afb. A4)

A4



Montage van de grasopvangzak (Zie afb. B1)

B1

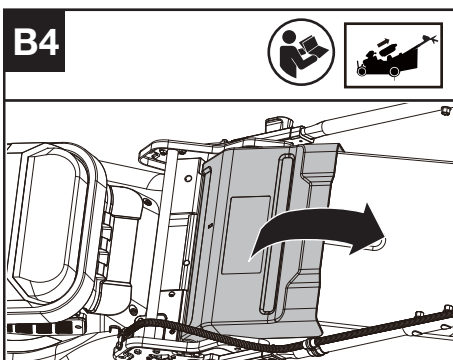
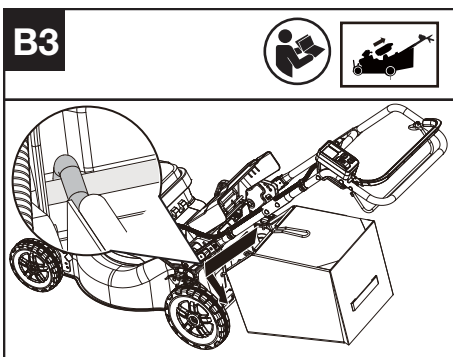
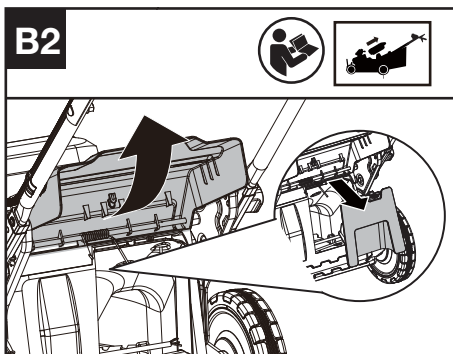


Montage van de grasopvangzak op de grasmaaier (Zie afb. B2,B3,B4)

OPMERKING: Druk de grasopvangzak lichtjes in om te controleren of hij volledig is geïnstalleerd.

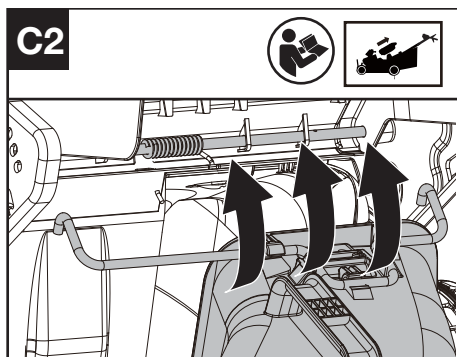
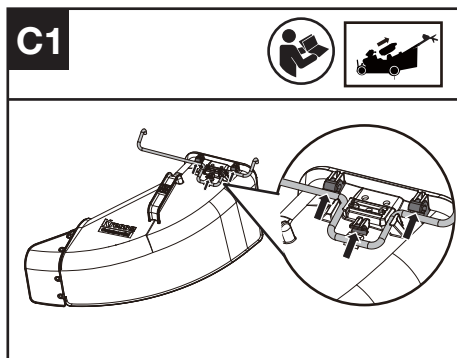
OPMERKING: Neem de mulching-plug uit de maaier

voordat u de grasopvangzak monteert.



De zij-uitworpgoot aan de grasmaaier monteren (Zie Afb. C1, C2)

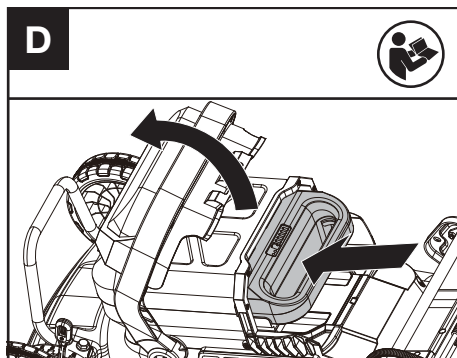
OPMERKING: Haal de mulchingplug uit de grasmaaier en verwijder de grasopvangzak alvorens de zij-uitworpgoot te monteren.



Het controleren van de laadtoestand van de accu en het opladen van het accupakket.

OPMERKING: De accu's worden ongeladen verzonden. De accu moet vóór de eerste maaibeurt volledig worden opgeladen. Meer details vindt u in de handleiding van accu en oplader.

Plaatsen/verwijderen van de accu (Zie afb. D)



Controleren van de bedieningselementen

1. Remove the battery.
2. Try to press the On/Off Switch, Cutting Blade Start Button, or Cutting Speed Control Button. If the On/Off Switch, Cutting Blade Start Button, or Cutting Speed Control Button gets stuck and cannot spring back to its original position, stop using the mower and contact the service agent.
3. Try to pull and release the Operating Bail or Self-Propelled Engagement Bail. If the Operating Bail or Self-Propelled Engagement Bail gets stuck and cannot spring back to its original position, stop using the mower and contact the service agent.
4. Rotate the Self-Propel Speed-Control. If the Self-Propel Speed-Control gets stuck, stop using the mower and contact the service agent.

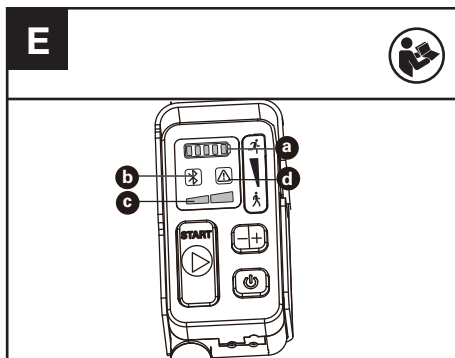
Het display controleren (Zie afb. E)

1. Plaats de accu.
2. Houd de aan/uit-schakelaar ingedrukt en de accu-indicator (a) en maaisnelheidsindicator (c) gaan branden.
3. Druk op de startknop van het maaimes en trek aan de bedieningsbeugel om de machine te starten.
4. Als het waarschuwingsindicator (d) knippert, raadpleeg dan het hoofdstuk **Problemen oplossen** voor oplossingen.
5. Laat de bedieningsbeugel los. Het maaimes stopt na een korte vertraging met draaien. Als de grasmaaier niet stopt, verwijder de accu en neem contact op met de serviceverteenwoordiger.

LED-indicatoren

- | | |
|----|-----------------------------|
| a. | ACCU-INDICATOR |
| b. | BLUETOOTH-INDICATOR |
| c. | INDICATOR VOOR MAAISNELHEID |
| d. | WAARSCHUWINGSINDICATOR |

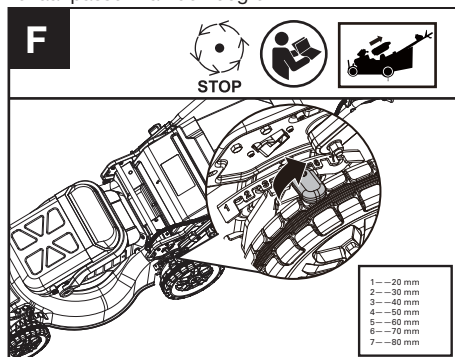
OPMERKING: Het waarschuwinglampje knippert rood of geel als de grasmaaier niet goed functioneert. Als het rode lampje knippert, vraag dan de dealer om hulp. Als het gele lampje knippert, schakel dan de grasmaaier uit, verwijder de accu, plaats de accu terug en schakel de grasmaaier in. Als het gele lampje constant knippert, vraag dan de dealer om hulp.



De maaihoogte instellen (Zie afb. F)

Stel de maaihoogte in met de maaihoogte-instellingshendels van het voor- en achterwiel.

OPMERKING: Zorg ervoor dat de voor- en achterwielen in dezelfde positie worden gehouden bij het aanpassen van de hoogte.



WAARSCHUWING Stop, laat de bedieningsbeugel los en wacht tot de motor stopt voordat u de hoogte aanpast. De messen draaien na het uitschakelen nog even door en een draaiend mes kan letsel veroorzaken. Raak de draaiende messen niet aan.

BEDIENING

Starten & stoppen van de maaier (Zie afb. G)

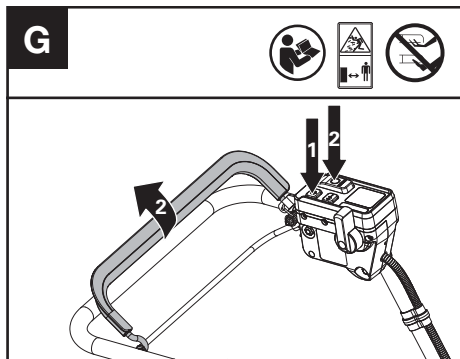
1. Druk op de aan/uit-schakelaar
2. Druk op de startknop van het maaimes (ingedrukt houden) en trek aan de bedieningsbeugel om de machine te starten.
3. Laat de bedieningsbeugel los om te stoppen.

WAARSCHUWING! Het mes blijft draaien nadat de maaier is uitgeschakeld; wacht tot deze volledig tot stilstand is gekomen.

OPMERKING: Druk om te starten op de startknop en trek tegelijkertijd aan de bedieningsbeugel.

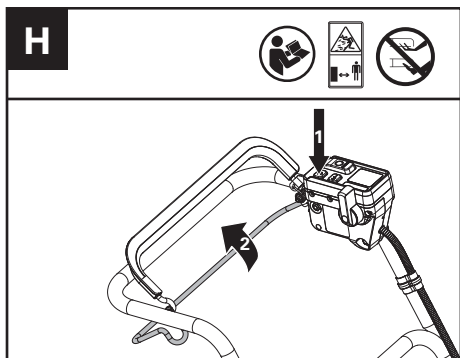
OPMERKING: Houd de aan/uit-schakelaar ingedrukt en het display gaat branden. Het display gaat

automatisch uit als u binnen 60 seconden geen handeling verricht.

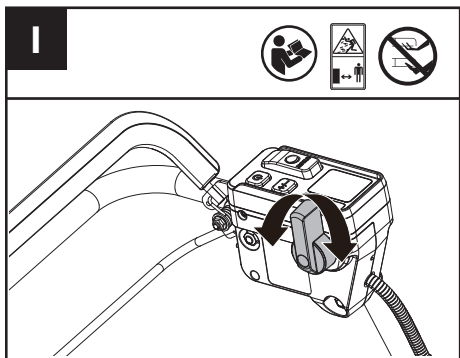


Bediening van het zelfaandrijvend systeem (Zie afb. H)

1. Druk op de aan/uit-schakelaar
2. Trek aan de bedieningsbeugel voor zelfaandrijving om de zelfaandrijving te starten.
3. Laat de bedieningsbeugel voor zelfaandrijving los om de zelfaandrijving te stoppen.

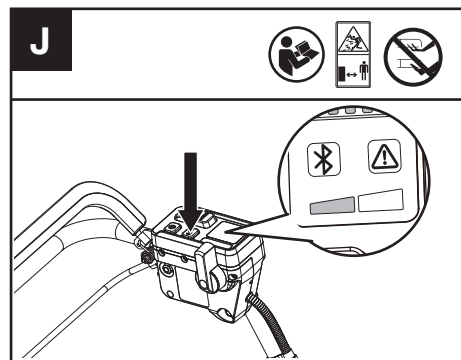


Het selecteren van de zelfaandrijvende snelheid (Zie afb. I)



Het selecteren van de maaisnelheid (Zie afb. J)

Afhankelijk van de toepassing kunnen 2 maaisnelheden worden geselecteerd. Gebruik de +/- om de snelheid te regelen, die wordt aangegeven door de LED-indicatoren. Des te hoger de maaisnelheid, des te sneller werkt het maaigereedschap.



TIPS VOOR MAAIEN MET GRASBEMESTING

Voor grasbemesting is uw nieuwe grasmaaiër ontworpen om het afgesneden gras in kleine stukjes te verdelen en over het grasveld te verspreiden. Onder normale omstandigheden zal het afgesneden gras snel vergaan en door het gras worden opgenomen. Lees onderstaande aanbevelingen om optimale grasbemesting toe te passen.

- 1) Vermijd maaien als het gras nat is van de regen of dauw. Nat gras kan gaan klonteren, en dat heeft een nadelig effect op het mulching en kan de looptijd verkorten.
- 2) Voor de beste grasbemesting zet u de maaihoogte zo dat ongeveer een derde van de lengte van het gras afgemaaid wordt, bij voorkeur niet meer dan 40mm tegelijk. Is het gras erg hoog, dan kan het nodig zijn de maaihoogte te verhogen om minder hard te hoeven duwen en de motor niet te overbelasten. Voor extreme zware grasbemesting is het aan te bevelen eerst bij een hoge instelling te maaien en daarna op nieuw te maaien bij de gewenste hoogte. Anders maakt u kleinere sneden en maait u langzaam.
- 3) Houd, voor de meest efficiënte werking de behuizing van de maaier vrij van ophopend gras. Schakel de maaier regelmatig even uit, en wacht tot de messen volledig tot stilstand zijn gekomen. Verwijder daarna de accus en leg de maaier op zijn zijkant. Gebruik een stokje om het opgehoopte gras rond de messen te verwijderen. Pas op met de scherpe randen van de messen. Zorg ervoor dat u het mesgebied vaak schoonmaakt als u nat of nieuw gras maait en elke keer nadat de machine is gebruikt.
- 4) Bij sommige grassoorten en sommige omstandigheden kan het nodig zijn dat een deel van het grasveld opnieuw bemest wordt om het

gras volledig over het grasveld te verspreiden. Maait u een tweede keer, doe dat dan loodrecht (dwars) op de eerste keer. **VERANDER HET MAAIPATROON NIET OP ENIGE WIJZE ALS U DAARDOOR HEUVELAFWAARTS ZOU GAAN.**

- 5) Verander het maaipatroon van week tot week. Hierdoor voorkomt u dat het gras in de war raakt of korrels vormt.
- 6) Maai niet op een helling met een hoek van meer dan 18°.

MAAIGEBIED

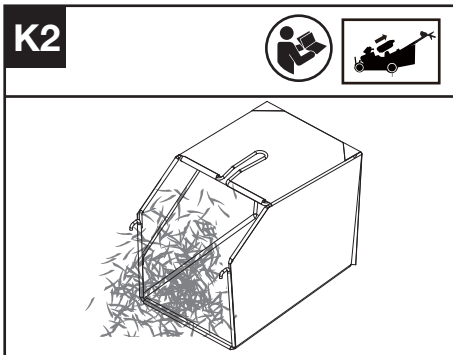
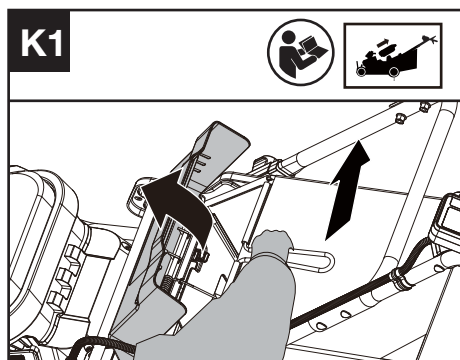
Het maaigebied wordt beïnvloed door verscheidene factoren, zoals de maaihogte, de vochtigheid van het gazon, de graslengte en de dichtheid. Overigens wordt het maaigebied verkleind doordat de maaier tijdens het gebruik te vaak gestart en gestopt wordt.

TIPS:

- 1) Aanbevolen wordt om uw gazon vaak te maaien, met normale tred te lopen, en de maaier tijdens het gebruik niet te vaak te starten/stoppen.
- 2) Voor de beste resultaten moet u ervoor zorgen dat het accupakket volledig is opgeladen en altijd 1/3 of minder van de grashoogte maait. Het wordt aanbevolen om vóór het begin van het maaiseizoen een nieuw mes te installeren.
- 3) Loop langzaam als u lang gras afmaait, zodat de maaier effectiever werkt, en verwijder het maaisel grondig.
- 4) Vermijd maaien van nat gras, anders blijft dit aan de onderkant van de kap kleven en kan het maaisel niet worden verzameld of naar behoren worden verwijderd.
- 5) Bij nieuw of dik gras dient een grotere maaihogte te worden gebruikt. Dit zal de levensduur van de accu verlengen.

Verwijderen/leggen van de grasopvangzak (Zie afb. K1, K2)

⚠ WAARSCHUWING! Controleer altijd vóór gebruik of de veiligheidsflap de grasafvoer volledig afsluit. Til de veiligheidsflap nooit op en verwijder nooit de mulching-plug als de grasmaaier zonder grasopvangzak wordt gebruikt.



VOOR GEREEDSCHAP MET ACCU'S

De aanbevolen omgevingstemperatuur voor het ontladen is -20 °C-45 °C (-4 °F-113 °F). De aanbevolen omgevingstemperatuur voor het laadsysteem tijdens het opladen ligt tussen -5 °C (23 °F) en 45 °C (113 °F).

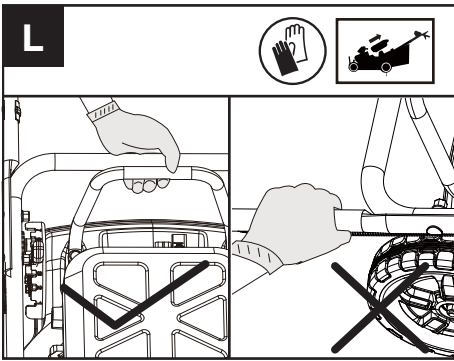
Informatie met betrekking tot het veilig verwijderen van gebruikte batterijen:

Aan het einde van de levensduur van het apparaat, verwijder eerst veilig de batterij voordat u het apparaat wegdoet. Gooi batterijen niet weg of gooi deze niet in de normale vuilnisbak. Gooi de batterij ook niet weg met het apparaat. Verwijder het gebruikte batterijpakket uit het apparaat en lever deze in bij de dichtstbijzijnde of geschikte speciale recyclingfaciliteit. Bij twijfel kunt u contact opnemen met uw lokale afdeling voor milieubescherming. Batterijen kunnen in de watercyclus terecht komen als ze verkeerd worden weggegooid, wat gevaarlijk kan zijn voor het ecosysteem. Gooi afvalbatterijen niet weg als ongesorteerd huishoudelijk afval.

VERVOER

Vervoer van de maaier

1. Schakel de maaier uit en verwijder de accu.
2. Bij het vervoer van uw maaier kan de zelfaandrijving worden gebruikt zonder dat het maaimes wordt ingeschakeld.
3. Voor het optillen van de maaier wordt aanbevolen dat twee personen de maaier aan elke kant optillen en daarbij de motorbeschermer en de onderste handgreepverbinding als handvatten gebruiken. Wanneer u de grasmaaier in ingeklapte toestand optilt, pak dan de motorbescherming vast, niet de handgrepen. (Zie afb. L)



Vervoer van de batterij

1. Zorg ervoor dat de batterij zich in een veilige staat bevindt.
2. Gebruik een niet-geleidende verpakking wanneer u de batterij vervoert.
3. De meegeleverde Li-Ion batterijen zijn gebonden aan de wetgeving voor gevaarlijke goederen. Vervoer de batterijen alleen als de omhulling van de batterij onbeschadigd is. Verpak de batterijen zodanig dat ze niet kunnen verschuiven in de verpakking.

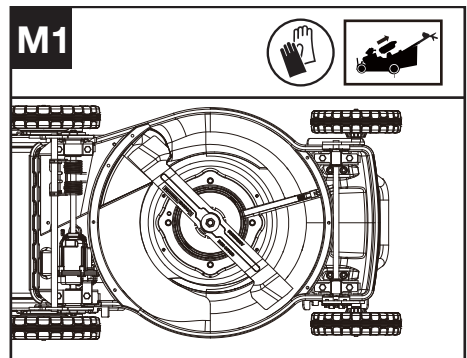
MESSEN ONMIDDELIJK.

TIJDENS HET SLIJPEN VAN HET MES

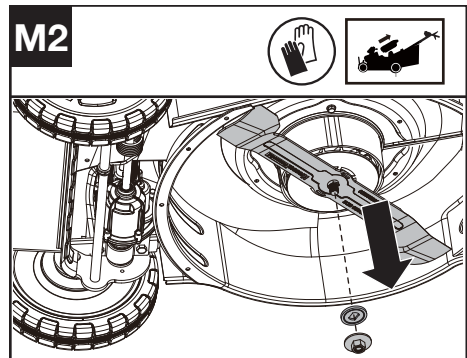
1. Gebruik een blok hout dat om te voorkomen dat het mes gaat draaien.
2. Verwijder met een dop- en moersleutel de mesbout en vervolgens het mes. (Zie het gedeelte over het verwijderen van het maaimes)
3. Klem het mes in een bankschroef, of iets dergelijks, om te voorkomen dat het beweegt tijdens het slijpen.
4. Slijp de snijkanten aan beide uiteinden van het mes. Zorg ervoor dat aan beide uiteinden evenveel materiaal wordt verwijderd om het mes in balans te houden.
5. Controleer de balans van het mes. (Zie het gedeelte over het balanceren van het maaimes)
6. Plaats het mes terug in de omgekeerde volgorde van de demontage.
7. Zorg ervoor dat u de mesbout vastdraait tot het vereiste aantrekkoppel (25 Nm).

OPMERKING

1. Zorg dat de maaier is uitgeschakeld en verwijder de accu.
2. Kantel de maaier op zijn kant zoals aangegeven in afbeelding M1



MES VERWIJDEREN (ZIE AFB. M2)



ONDERHOUD

WAARSCHUWING! Stop de maaier en verwijder de accu voordat u de grasopvangzak verwijdert.

OPMERKING: Om er zeker van te zijn dat uw machine lang meegaat en betrouwbaar blijft, dient u de volgende onderhoudstaken regelmatig uit te voeren. Controleer op duidelijk zichtbare defecten, zoals een loszittend, verbogen of beschadigd mes, loszittende montages en versleten of beschadigde onderdelen. Controleer of de afdekkingen en beschermkappen onbeschadigd zijn en op de juiste wijze op de grasmaaier bevestigd zijn. Voer eventueel noodzakelijk onderhoud of noodzakelijke reparaties uit voordat u de grasmaaier gebruikt. Wanneer de grasmaaier ondanks regelmatig onderhoud toch niet werkt, neem contact op met onze klantenservice voor advies.

HET SLIJPEN VAN HET MAAIMES

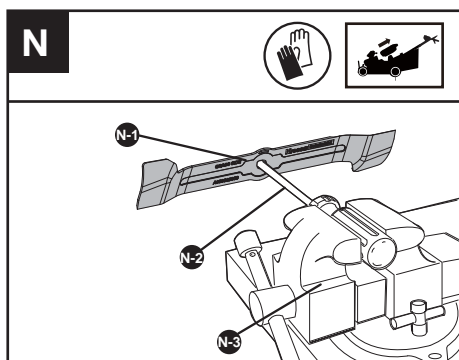
ZORG DAT HET MES SCHERP BLIJFT VOOR DE BESTE MAAIRESLTATEN. EEN BOT MES MAAIT HET GRAS NIET ZUIVER EN MULCHT NIET GOED. DRAAG OOGBESCHERMING EN VEILIGHEIDSHANDSCHOENEN TIJDENS HET VERWIJDEREN, SLIJPEN EN INSTALLEREN VAN HET MES.

OPMERKING: Slijp of vervang het mes na elke 50 uur. Zand zorgt ervoor dat het mes snel bot wordt. Als uw gazon een zanderige bodem heeft, kan het nodig zijn het mes vaker te slijpen of te vervangen.

VERVANG VERBOGEN OF BESCHADIGDE

HET MES BALANCEREN (ZIE FIG. N)

Controleer de balancering van het mes door het centrale gat van het mes N-1 over schroevendraaier N-2 te zetten, horizontaal in een bankschroef geklemd N-3. Als het mes niet in elke stand blijft staan, vijl dan aan het einde dat naar beneden komt. Het mes is goed gebalanceerd als het horizontaal blijft staan.



MES VERVANGEN

-Suggestie om verschillende maaimessen te vervangen afhankelijk van de werkomstandigheden voor een betere gebruikerservaring.

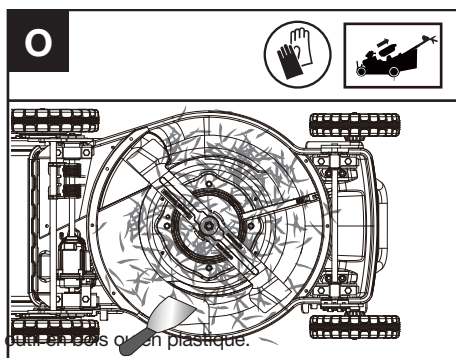
MES	FUNCTIE
Hoge stand mes	Aanbevolen voor het vullen van zakken
Gator-mes	Aanbevolen voor mulching

REINIGING

1. Stop de maaier en verwijder de accu.
2. Gebruik geen agressieve schoonmaakmiddelen of oplosmiddelen. Reinig de machine na gebruik met een vochtige doek die in een neutraal schoonmaakmiddel is gedompeld.
3. Houd de aansluiting vrij van vreemde stoffen en maak deze schoon met een zachte en droge borstel of doek.
4. Spreek geen water op de motor en elektrische componenten.
5. Gebruik geen hogedrukreiniger om uw machine te reinigen.

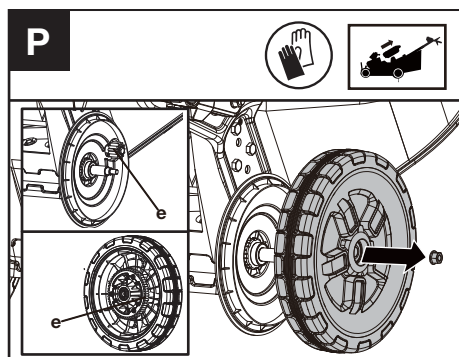
Reiniging van de dek en het mesgedeelte. (Zie afb. O)

Reinig maaisel en afval van de dek en het mesgedeelte. Als zich in het mesgedeelte samengepakt gras bevindt, verwijder dit dan met een stukje of plastic voorwerp.



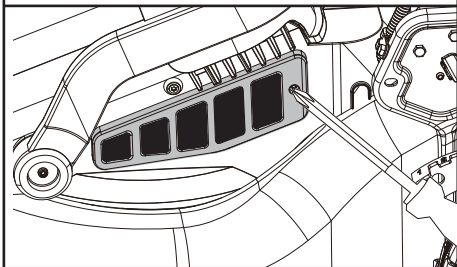
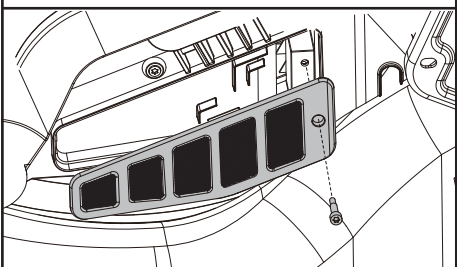
Reiniging van de wielen. (Zie afb. P)

- Stop de maaier en verwijder de accu.
- Maak de wielen elke 50 uur of vaker in extreme omstandigheden schoon.
- Verwijder de achterwielen en verwijder het maaisel en het vuil uit het gebied rond de wielen.
- Het wordt aanbevolen om na het reinigen een kleine hoeveelheid anti-vastloopp middel op de tandwielen (e) aan te brengen.



Reinigen van het luchtfilter (Zie afb. Q1, Q2)

1. Maak het gedeelte rond het luchtfilter schoon. Gebruik een vochtige doek of een zachte borstel.
2. Schroef het luchtfilter los en verwijder deze.
3. Spoel het luchtfilter onder stromend water af om het vuil te verwijderen.
4. Laat het luchtfilter aan de lucht drogen. En installeer deze vervolgens in de behuizing door de schroef vast te draaien.

Q1**Q2**

NL

OPSLAG

1. Stop de maaier en verwijder de accu.
2. Maak de buitenkant van de machine grondig schoon met een zachte borstel en een doek. Gebruik geen oplosmiddelen of poetsmiddelen. Verwijder al het gras en vuil, vooral uit de ventilatiesleuven, van de mulchplaat, het mesgedeelte en de wielen.
3. Berg de machine op in een droge ruimte en buiten het bereik van kinderen en andere onbevoegde mensen. Plaats geen andere voorwerpen bovenop de machine.
4. Om het opbergen te vergemakkelijken, om de handgreep stang in te klappen.
5. Bewaar de accu alleen binnen een temperatuurbereik tussen 5 °C (41 °F) en 25 °C (77 °F). Laat de accu bijvoorbeeld in de zomer niet in de auto liggen.
6. Als de machine en de accu tijdens het gebruik nat zijn geworden in de regen, moeten ze worden gedroogd voordat ze worden opgeborgen of opgeladen. Verwijder de accu en plaats deze opnieuw als de machine niet inschakelt.

PROBLEMEN OPLOSSEN

De volgende tabel geeft problemen en maatregelen die u kunt uitvoeren als uw machine niet goed werkt.



WAARSCHUWING: Schakel de machine uit en verwijder het accupakket voordat u problemen oplost.


PROBLEMEN	HERSTELHANDELING
1. De maaier werkt niet wanneer de bedieningsbeugel is geactiveerd.	A. Controleer of de startknop van het maaimes volledig is ingedrukt. B. Laat de bedieningsbeugel los om de maaier uit te schakelen. Verwijder de accu, draai de maaier om en controleer of het mes vrij kan draaien. Als dat niet lukt, ga dan naar een geautoriseerde monteur. Het mes moet vrij kunnen draaien. C. Is de accu volledig opgeladen? Sluit de oplader aan en wacht tot het groene lampje gaat branden. D. Druk om te starten op de startknop voor het maaimes en trek tegelijkertijd aan de bedieningsbeugel.
2. De motor stopt tijdens het maaien.	A. Laat de bedieningsbeugel los om de maaier uit te schakelen. Verwijder de accu, draai de maaier om om te controleren of de maaier verstopt is met grasresten, verwijder de resten uit het rotatiegebied van het mes. Dan controleer of het mes vrij kan draaien. Als dat niet lukt, ga dan naar een geautoriseerde monteur. Het mes moet vrij kunnen draaien. B. Verhoog de maaihoogte van de wielen naar de hoogste positie en start de maaier. C. Is de accu volledig opgeladen? Koppel de oplader aan op de stroomtoevoer en wacht tot de groene lamp oplicht. D. Voorkom overbelasting van de maaier. Ga langzamer maaien of verhoog de maaihoogte. Of doe beide.
3. De maaimachine werkt maar het maaien verloopt niet naar tevredenheid, of maait niet het hele gazon.	A. Is de accu volledig opgeladen? Koppel de oplader aan op de stroomtoevoer en wacht tot de groene lamp oplicht. B. Laat de bedieningsbeugel los om de maaier uit te schakelen. Verwijder de accu. Draai de maaier op zijn kant en controleer: De scherpte van het mes - Houd het mes scherp. Het dek en de afvoerkoker op verstoppingen. C. De aanpassing van de wielhoogte kan te laag zijn ingesteld voor de staat van het gras. Verhoog de maaihoogte.
4. De maaier is moeilijk te duwen.	A. Verhoog de maaihoogte om de wrijving tussen het dek en het gras te verminderen. Controleer of de wielen allemaal vrij kunnen draaien.
5. De maaier is abnormaal luidruchtig en trilt.	A. Laat de bedieningsbeugel los om de maaier uit te schakelen. Verwijder de accu. Draai de maaier op zijn kant en controleer of het mes niet verbogen of beschadigd is. Als het mes beschadigd is, vervang deze dan door een nieuw mes. Als de onderzijde van het maaidek is beschadigd, breng de maaier dan naar een erkend servicecentrum. B. Als er geen zichtbare schade aan het mes is en de maaier nog steeds trilt: Laat de bedieningsbeugel los om de maaier uit te schakelen, verwijder de accu en verwijder het mes. Draai het mes 180 graden en draai het daarna opnieuw vast. Als de maaier nog steeds trilt, breng de maaier dan naar een erkend servicecentrum.
6. LED's van de acculader branden niet.	A. Controleer dat de stekker goed in het stopcontact zit. B. Vervang de lader
7. De acculader-LED wordt niet groen.	A. De accu moet worden nagekeken. Breng hem naar een geautoriseerd onderhoudscentrum.

NL

8. De maaier pakt het gemaaid gras niet op.	A. De achterkoker zit verstopt. Laat de bedieningsbeugel los om de maaier uit te schakelen. Verwijder de accu. Haal grasresten uit de koker. B. Te veel gemaaid gras. Verhoog de maaihoogte van de wielen om de lengte van het maaiwerk te verkorten. C. Zak vol. Leeg de zak vaker.
9. Bij mulchen zijn snoeisporen zichtbaar.	A. Het gras wordt te kort gemaaid. Verhoog de maaihoogte van de wielen om de lengte van het maaisel te reduceren. Maai niet meer dan 1/3 van de totale lengte. B. Controleer of de bladen scherp zijn. Houd de bladen altijd scherp. C. Verminder de snelheid als het gras hoog of extreem dik is.
10. Laag of verminderd arbeidsvermogen na vele malen gebruik.	A. Retourneer het apparaat naar een onderhoudscentrum – misschien is een nieuwe accu nodig.
11. Het waarschuwinglampje knippert.	A. Schakel de grasmaaier uit, verwijder de accu, plaats de accu terug en schakel de grasmaaier in. B. Neem contact op met de servicevertegenwoordiger.

TECHNISCHE GEGEVENS

Typeaanduiding: **KC720 KC720.X (720-aanduiding van machines, representatief voor verstevigd stalen maaidek SP grasmaaier)**

	KC720 KC720.X **
Spanning	60V  Max***
Dekmateriaal	Versterkt staal -1.8 mm
Maaibreedte	47 cm
Max. SP-snelheid	6.4 km/h
Maaihoogte	20-80 mm
Maaihoogtestanden	7
Grasopvangcapaciteit	70 L
Beschermingsgraad	IPX4
Looptijd	70min@11Ah****
Machinegewicht (kaal gereedschap)	38 kg

** X = 1-999, A-Z, M1-M9 zijn alleen voor verschillende klanten, er zijn geen veiligheidsgerelateerde wijzigingen tussen deze modellen.

*** Voltage gemeten zonder belasting. De initiële accuspanning bereikt maximaal 60 volt. De nominale spanning bedraagt 54 volt.

**** De looptijd kan variëren afhankelijk van het gebruik van het gereedschap en de toestand van het gras. De geselecteerde maaisnelheid beïnvloedt de looptijd van de accu. Des te lager de maaisnelheid, des te langer de looptijd.

AANBEVOLEN BATTERIJEN EN LADERS

Accupack	Hoedanigheid	Lader	Amperage
KAC810	11 Ah	KAC840	30 A

We raden u aan uw accessoires te kopen bij dezelfde dealer die u het gereedschap heeft verkocht. Zie de

verpakking van de accessoires voor meer informatie. Uw dealer kan u helpen en advies geven.

TECHNISCHE GEGEVENS VOOR ACCUPACK (OPTIONEEL)

Frequentiebanden voor Bluetooth	2400-2483.5 MHz
Maximaal uitgezonden vermogen voor Bluetooth	8 dBm

GELUIDSPRODUCTIE

A- gewogen geluidsdruk	$L_{pA} = 83.2 \text{ dB(A)}$
K_{pA}	3 dB(A)
A- gewogen geluidsvermogen	$L_{wA} = 95.84 \text{ dB(A)}$
K_{wA}	0.65 dB(A)

Draag oorbescherming



TRILLINGSGEGEVENS

Gewogen trillingswaarde	$a_h < 2.5 \text{ m/s}^2$
Onzekerheid	$K = 1.5 \text{ m/s}^2$

WAARSCHUWING: De trillings emissie waarde tijdens het feitelijke gebruik van dit elektrisch gereedschap kan afwijken van de opgegeven waarde, afhankelijk van de wijze waarop het gereedschap wordt gebruikt, zoals in de volgende voorbeelden: Hoe het gereedschap wordt gebruikt en welk materiaal wordt gesneden of geboord.

Of het gereedschap in goede staat verkeerd en correct wordt onderhouden.

Gebruik van de juiste toebehoren voor het gereedschap en of deze scherp zijn en in goede staat verkeren.

De stevigheid van de grip op de handgrepen en het eventuele gebruik van antivibratie- accessoires.

En of het gereedschap wordt gebruikt waarvoor het ontworpen is en in overeenstemming met deze instructies.

Dit gereedschap kan een trillingsyndroom in de handen en armen veroorzaken als het niet op de juiste wijze gehanteerd wordt.

WAARSCHUWING: Voor de nauwkeurigheid moet bij een schatting van het blootstellingsniveau in de feitelijke gebruiksomstandigheden rekening worden gehouden met alle delen van de bedrijfscyclus,

zoals het moment waarop het gereedschap wordt uitgeschakeld en terwijl het gereedschap in werking is zonder daadwerkelijk gebruikt te worden. Dit kan het blootstellingsniveau over de totale werkperiode aanzienlijk verminderen.

Help de blootstelling aan trillingen te minimaliseren. Gebruik ALTIJD scherpe beitels, boren en messen.

Onderhoud het gereedschap in overeenstemming met deze instructies en houd het goed gesmeerd (indien van toepassing).

Schaf antivibratie- accessoires aan wanneer u het gereedschap geregeld gebruikt.

Plan de werkzaamheden zodat de taken met veel trillingen over een aantal dagen verspreid worden.

BESCHERMING VAN HET MILIEU



Afgedankte elektrische producten kunt u niet met het normale huisafval weggooien. Breng deze producten, indien mogelijk, naar een recyclecentrum bij u in de buurt. Vraag de verkoper of de gemeente naar informatie en advies over het recyclen van elektrische producten.

CONFORMITEITVERKLARING

Wij,
Positec Germany GmbH
Postfach 680194, 50704 Cologne, Germany

Namens Positec verklaar ik dat het product
Beschrijving **Accugrasmaaier**
Type **KC720 KC720.X (720-aanduiding van machines, representatief voor verstevigd stalen maaidek SP grasmaaier)**
Functie **Gras maaien**

Overeenkomt met de volgende richtlijnen
2006/42/EC, 2014/30/EU, 2011/65/EU & (EU) 2015/863, 2000/14/EC gewijzigd door 2005/88/EC

2000/14/EC ewijzigd door 2005/88/EC:
- Procedure beoordeling conformiteit volgens

Annex VI
- Niveau gemeten geluidsvermogen **95.84 dB (A)**
- Opgegeven, gegarandeerde niveau geluidsvermogen **96 dB (A)**

De betrokken aangemelde instantie
Naam: TÜV Rheinland LGA Products GmbH
(aangemelde instantie 0197)
Adres: Tillystraße 2-90431 Nürnberg

Standards in overeenstemming met,
EN 62841-1, EN IEC 62841-4-3, EN ISO 3744, EN IEC 55014-1, EN IEC 55014-2, EN IEC 63000

De persoon die bevoegd is om het technische bestand te compileren,
Naam Marcel Filz
Adres Positec Germany GmbH
Postfach 680194, 50704 Cologne, Germany



2024/02/05
Allen Ding
Plaatsvervangend Chief Ingenieur, Testen en Certificering
Positec Technology (China) Co., Ltd
18, Dongwang Road, Suzhou Industrial Park, Jiangsu 215123, P. R. China

TARTALOMJEGYZÉK

Bevezető.....	135
Az alkatrészek listája.....	137
Termékbiztonság.....	138
Összeszerelés és használat.....	142
Szállítás.....	147
Karbantartás.....	147
Tisztítás.....	148
Tárolás.....	149
Hibaelhárítás.....	150
Műszaki adatok.....	151
Környezetvédelem.....	152
Megfelelőségi nyilatkozat.....	153

HU

BEVEZETŐ

Tisztelt Vásárló!

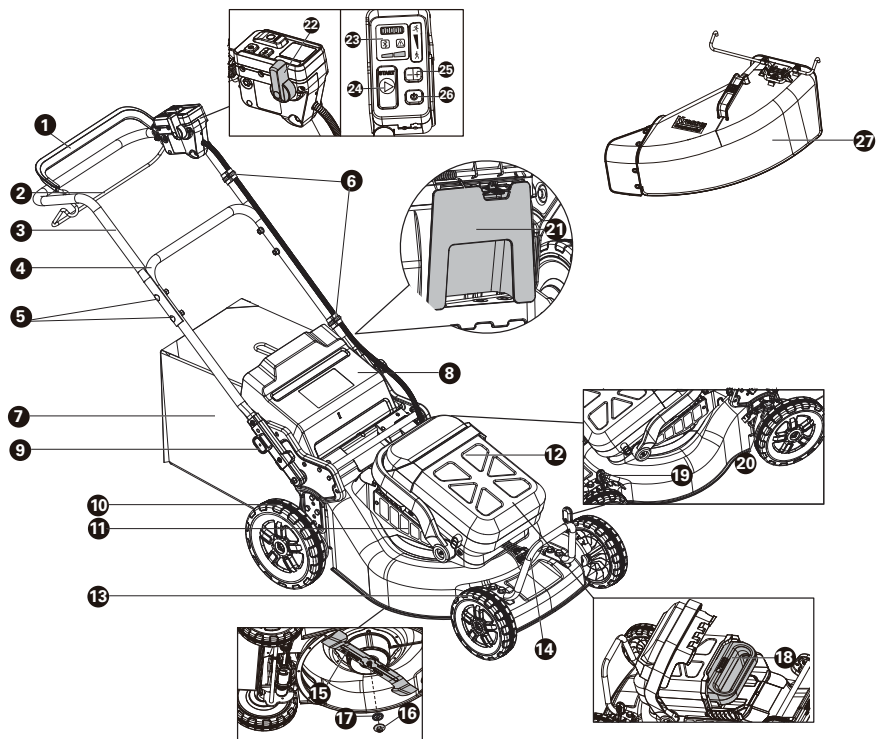
Köszönjük, hogy megvásárolta ezt a Kress Commercial terméket. Elkötelezettek vagyunk az Ön ipari tájépítészeti igényeinek megfelelő, kiváló minőségű termékek kifejlesztése iránt.

A Kress márka egyet jelent a prémium minőségű szolgáltatással. A termék élettartama során, ha bármilyen kérdése vagy aggálya merülne fel a termékkel kapcsolatban, kérjük, forduljon kereskedőjéhez vagy ügyfélszolgálati csapatunkhoz segítségért.

Biztosak vagyunk benne, hogy hosszú éveken át élvezni fogja Kress termékének használatát.

RENDELTETÉS

A termék rendeltetése ipari fűnyírás.



AZ ALKATRÉSZEK LISTÁJA

1. NYÍRÁSI BIZTOSÍTÉKKAR (KÉSINDÍTÁS)
2. ÖNJÁRÁS BIZTOSÍTÉKKAR
3. FELSŐ FOGANTYÚ
4. ALSÓ FOGANTYÚ
5. MARKOLATRÖGZÍTŐK
6. KÁBELRÖGZÍTŐ
7. FÚGYÚJTÓ ZSÁK
8. BIZTONSÁGI FEDÉL
9. MAGASSÁGBEÁLLÍTÓ GOMB
10. HÁTSÓ KERÉK
11. LEVEGŐSZŰRŐ
12. AKKUMULÁTORTARTÓ FEDÉL
13. ELSŐ KERÉK
14. MOTORBURKOLAT
15. KÉS
16. VÁGÓKÉS CSAVAR
17. TÁVTARTÓ
18. AKKUMULÁTOR*
19. ELÜLSŐ VÁGÁSI MAGASSÁG BEÁLLÍTÓ KAR
20. HÁTSÓ VÁGÁSI MAGASSÁG BEÁLLÍTÓ KAR
21. MULCSOZÓ DUGÓ
22. ÖNJÁRÁS FORDULATSZÁM-SZABÁLYOZÓ
23. LED VISSZAJELZŐK
24. VÁGÓKÉS INDÍTÓGOMB
25. VÁGÓKÉS FORDULATSZÁM-SZABÁLYOZÓ
26. BE/KIKAPCSOLÓ
27. OLDALSÓ KIÜRÍTŐ CSATORNA *

* Nem minden gép tartalmazza az összes, a fentiekben felsorolt alkatrészt.

EREDETI HASZNÁLATI UTASÍTÁS TERMÉKBIZTONSÁG ELEKTROMOS KÉZISZERSZÁMOK BIZTONSÁGOS HASZNÁLATÁVAL KAPCSOLATOS ÁLTALÁNOS FIGYELMEZTETÉSEK



FIGYELEM: Olvassa el az összes, ehhez az elektromos kéziszerszámhoz mellékelt biztonsági figyelmeztetést, utasítást és részletes ismertetést, illetve tekintse meg az ábrákat. Az alább felsorolt utasítások bármelyikének figyelmen kívül hagyása áramütést, tüzet és/vagy súlyos testi sérüléseket eredményezhet.

Őrizzen meg az összes figyelmeztetést és utasítást, a jövőben szükségére lehet ezekre.

A figyelmeztetésekből használatos "elektromos kéziszerszám" kifejezés az ön hálózatról üzemeltetett (vezetékes) elektromos kéziszerszámára vagy akkumulátoros (vezeték nélküli) elektromos kéziszerszámára vonatkozik.

1) A munkaterület biztonsága

- a) **A munkaterületet tartsa tisztán és jól megvilágítva.** A zsúfolt vagy sötét munkaterület balesethez vezethet.
 - b) **Ne üzemeltessen elektromos kéziszerszámot robbanékony légkörben,** például gyúlékony folyadékok, gázok vagy por jelenléte mellett. Az elektromos kéziszerszámok használata során szikrák keletkeznek, amelyek hatására a por vagy gáz kigyulladhat.
 - c) **Elektromos kéziszerszámok működtetése közben tartsa távol a gyermekeket és bámészkodókat.** A figyelem elterelése kontrollvesztést eredményezhet.
- ## 2) Elektromos biztonság
- a) **Az elektromos kéziszerszámok csatlakozó dugaszának talánia kell a csatlakozó aljzathoz.** Soha, semmilyen módon ne módosítsa a csatlakozó dugaszt. Földelt elektromos kéziszerszámokkal ne használjon adaptert. Ha eredeti, módosítatlan csatlakozó dugaszt és megfelelő csatlakozó aljzatot használ, azzal csökkenti az áramütés kockázatát.
 - b) **Ne érintse meg a földelt felületeket,** például csöveket, radiátorokat, tűzhelyeket vagy hűtőszekrényeket. Ha a test földelt, nagyobban az áramütés kockázata.
 - c) **Ne üzemeltesse a gépet esőben vagy nedves körülmények között.** Ez növelheti az

áramütés veszélyét.

- d) **Vigyázzon a szerszám kábelére.** Soha ne hordozza, húzogassa vagy húzza ki az áramból az elektromos kéziszerszámot a kábelnél fogva. A kábelt tartsa távol a hőtől, olajtól, éles peremektől vagy mozgó részekről. A sérült vagy összegabancolódott kábel növeli az áramütés kockázatát.
 - e) **Ha az elektromos kéziszerszámot szabadtérben üzemelteti, használjon külső használatra alkalmas hosszabbítót.** A külső használatra alkalmas kábel használatával csökken az áramütés kockázata.
 - f) **Ha elkerülhetetlen, hogy az elektromos kéziszerszámot nedves helyen működtesse, használjon maradékáram-működtetésű megszakító (RCD) védelemmel rendelkező áramforrást.** A maradékáram-működtetésű megszakító használata csökkenti az áramütés kockázatát.
- ## 3) Személyi biztonság
- a) **Az elektromos kéziszerszám működtetése közben maradjon éber, figyeljen arra, amit csinál, és használja a józan eszt.** Ne működtesse az elektromos kéziszerszámot fáradtan, illetve gyógyszerek, alkohol vagy drogok hatása alatt áll. Egy pillanatnyi figyelmetlenség az elektromos kéziszerszámok működtetése közben súlyos sérülésekhez vezethet.
 - b) **Használjon személyi védőfelszereléseket. Mindig használjon szemvédelmet.** A személyi védőfelszerelés, például pormaszk, csúszásmentes biztonsági lábbeli, védősisak vagy szükség esetén hallásvédelem használatával csökkenthető a személyi sérülések kockázata.
 - c) **Kerülje el, hogy a szerszám véletlenül működésképpen lépjen.** Mielőtt az elektromos kéziszerszámot áramhoz csatlakoztatná, behelyezné az akkumulátort, felemelné vagy költöztetné a szerszámot, ellenőrizze hogy a kapcsoló a "ki" helyzetbe legyen állítva. Ha a szerszám hordozásakor újat a kapcsolón tartja, vagy áram alá helyezi a bekapcsolt készüléket, az balesetekhez vezethet.
 - d) **Mielőtt az elektromos kéziszerszámot bekapcsolná, távolítson el róla minden állítókulcsot.** Ha az elektromos kéziszerszám forgórészein állítókulcs marad, az személyi sérüléshez vezethet.
 - e) **Ne próbáljon túl messzire nyúlni. Mindig vigyázzon, hogy stabilan álljon, és őrizze meg egyensúlyát.** Ez segít, hogy váratlan helyzetekben uralja az elektromos kéziszerszámot.
 - f) **Viseljen megfelelő öltözetet. Ne viseljen bő ruházatot vagy hosszú ékszert.** Tartsa távol a haját és ruházatát a mozgó alkatrészekről. A bő ruházatot, hosszú ékszert vagy hosszú haját bekapathatják a mozgó elemek.
 - g) **Ha a szerszámhoz porszívó vagy -gyűjtő is csatlakoztatható, gondoskodjon**

ezek megfelelő csatlakoztatásáról és használatáról. A porgyűjtő használatával csökkenthetőek a porral kapcsolatos kockázatok.

- h) Ne hagyja, hogy a szerszám gyakori használata túl elbizakodottá tegye, és hogy ezáltal figyelmen kívül hagyja a szerszám biztonsági követelményeit.** A másodperc töredéke is elég ahhoz, hogy egy figyelmetlen mozdulat súlyos sérüléshez vezessen.
- 4) Az elektromos kéziszerszám használata és karbantartása**
- a) Ne erőltesse az elektromos kéziszerszámot. Mindig megfelelő elektromos kéziszerszámot használjon.** *Ha a megfelelő elektromos kéziszerszámot használja, azzal a rendeltetési területén jobban és biztonságosabban elvégezhető a munka.*
- b) Ne használja az elektromos kéziszerszámot, ha azt nem lehet kikapcsolni.** *Ha egy elektromos kéziszerszám nem szabályozható a kapcsolóval, az veszélyes, és javításra szorul.*
- c) Húzza ki a csatlakozó dugaszt az áramellátást biztosító aljzatból, és/vagy távolítsa el a kivehető akkucsomagot a szerszámból, ha beállításokat vagy tartozékcsere-t hajt végre, vagy ha a szerszámot elraktározza.** *Ezzel a megelőző biztonsági intézkedésekkel csökken annak a kockázata, hogy a kéziszerszám véletlenül bekapcsoljon.*
- d) Az elektromos kéziszerszámokat használaton kívül tartsa a gyermekektől távol, és ne hagyja, hogy a szerszámot vagy ezeket az utasításokat nem ismerő személyek működtessék azt.** *A tapasztalatlan felhasználók kezében az elektromos kéziszerszámok veszélyessé válnak.*
- e) Az elektromos kéziszerszámok és tartozékaik karbantartása. Ellenőrizze, hogy a mozgó elemek megfelelően helyezkednek-e el és nem szorultak-e be, az alkatrészek épek, és semmilyen más hiba nincs kihatással az elektromos kéziszerszám működésére. Ha sérülést talál, használat előtt javítsa meg a szerszámot.** *A nem megfelelően karbantartott elektromos kéziszerszámok sok balesetet okoznak.*
- f) A vágószerszámokat tartsa tisztán, és figyeljen, hogy élesek maradjanak.** *A megfelelően karbantartott, éles vágószerszámok ritkábban akadnak meg, és egyszerűbben irányíthatóak.*
- g) Az elektromos kéziszerszámot, a kiegészítőket és fejeket használja a fenti utasításoknak megfelelően, figyelembe véve a munkakörülményeket és az elvégzendő munkát.** *Ha az elektromos kéziszerszámot nem rendeltetésszerűen használja, az veszélyhelyzetet teremthet.*
- h) Őrizze szárazon, tisztán, olaj- és zsiromentesen a szerszám fogantyúit és megragadási részeit.** *A csúszos fogantyúk és*

megragadási részek főleg váratlan helyzetekben akadályozzák a szerszám biztonságos megfogását, kezelését és irányítását.

- 5) Az akkumulátoros kéziszerszám használata és karbantartása**
- a) Csak a gyártó által javasolt töltővel töltsse fel.** *Ha egy adott akkumulátorhoz megfelelő töltőt másik akkumulátorral használ, az tűzveszélyes lehet.*
- b) Az elektromos kéziszerszámokat csak a kijelölt akkumulátorokkal használja.** *Ha más akkumulátorokat használ, az sérülés- és tűzveszélyes.*
- c) Az akkumulátorokat használaton kívül tartsa a fémtárgyaktól, például gémkapcsolóktól, pénzérméktől, kulcsoktól, zöngéktől, csavaroktól vagy más kis fémtárgyaktól távol, mert ezek összekapcsolhatják a pólusokat.** *Az akkumulátor pólusainak rövidzárlata égés- és tűzveszélyes.*
- d) Nem megfelelő körülmények között az akkumulátorból folyadék szívóroghat; kerülje az érintkezést ezzel a folyadékkal. Véletlen érintkezés esetén mossa le vízzel. Ha a folyadék szembe kerül, mossa ki vízzel, és forduljon orvoshoz.** *Az akkumulátorból szívárgó folyadék irritációt vagy égési sérülést okozhat.*
- e) Ne használjon károsodott vagy módosított akkucsomagot vagy szerszámot.** *A károsodott vagy módosított akkucsomagok használata előreláthatatlan következményekkel jár, mert ezek felgyulladhatnak, felrobbanhatnak vagy személyi sérüléseket okozhatnak.*
- f) Óvja az akkucsomagot és a szerszámot a tűztől vagy a magas hőmérsékletektől.** *A 130°C-t meghaladó hőmérséklet vagy tűz robbanást okozhat.*
- g) Tartsa be az összes újratöltési utasítást és az akkucsomagot vagy a szerszámot csak az utasításokban megadott hőmérsékleti tartományban töltsse újra.** *Az előírásoktól vagy a megengedett hőmérsékleti tartománytól eltérő töltési folyamat az akkucsomag károsodását okozhatja, és növeli a tűzveszély kockázatát.*
- 6) Szerviz**
- a) Az elektromos kéziszerszámot csak képzett szerelő javíthatja megfelelő cserealkatrészekkel.** *Ez biztosítja az elektromos kéziszerszám biztonságos működését.*
- b) Soha ne szervelje a károsodott akkucsomagokat.** *A károsodott akkucsomagok szervizelését csak a gyártó vagy az erre felhatalmazott szervizközpontok hajthatják végre.*

A FŰNYÍRÓRA VONATKOZÓ BIZTONSÁGI FIGYELMEZTETÉSEK

- a) Ne használja a fűnyírót rossz időjárás körülmények között, különösen, ha villámlás veszélye áll fenn. Így csökkentheti a villámcsapás kockázatát.
- b) A területet, ahol a fűnyírót használni kívánja, gondosan vizsgálja át, hogy nem élnek-e ott vadon élő állatok. A fűnyíró működés közben a vadállatok sérülését okozhatja.
- c) Gondosan ellenőrizze a fűnyíró használati helyét, és távolítson el minden követ, botot, drótot, csontot és egyéb idegen tárgyat. Az elrepülő tárgyak személyi sérülést okozhatnak.
- d) A fűnyíró használatát előtt szemrevételezéssel mindig ellenőrizze, hogy a kés és a késegyeség nem használódott-e el vagy sérült-e. Az elhasználódott vagy sérült alkatrészek növelik a sérülésveszélyt.
- e) Rendszeresen ellenőrizze a fűgyűjtőt kopás vagy sérülés szempontjából. A kopott vagy sérült fűgyűjtő megnövelheti a személyi sérülés kockázatát.
- f) A védőelemek mindig legyenek a helyükön. A védőelemek legyenek működőképes állapotban, megfelelően felszerelve. A laza, sérült vagy működésképtelen védőelemek személyi sérülést okozhatnak.
- g) A hűtőlevegő-beömlőket tartsa tisztán. Az eltömődött hűtőlevegő-beömlők és az idegen tárgyak túlmelegedést okozhatnak, vagy tűzveszélyesek lehetnek.
- h) A fűnyíró használata közben viseljen csúszásgátló munkavédelmi lábbelit. Ne működtesse a fűnyírót meztelán vagy nyitott szandálban. Ez csökkenti a lábak sérülésének kockázatát, ha azok a mozgó vágófejhez érnek.
- i) A fűnyíró működtetése közben mindig viseljen hosszúnadrágot. A szabadon lévő bőrfelület megnöveli az elrepülő tárgyak okozta személyi sérülés valószínűségét.
- j) Ne használja a fűnyírót nedves fűben. Sétáljon, soha ne fusson. Ez csökkenti a megcsúszás és elesés veszélyét, ami személyi sérüléshez vezethet.
- k) Ne használja a fűnyírót rendkívül meredek lejtőn. Ez csökkenti annak veszélyét, hogy elveszti a gép feletti uralmat, megcsúszik vagy elesik, ami személyi sérüléshez vezethet.
- l) Lejtőn végzett munka közben mindig stabilan álljon, mindig a lejtő vonalával párhuzamosan dolgozzon, soha ne használja fel-le irányban, és irányváltáskor legyen rendkívül óvatos. Ez csökkenti annak veszélyét, hogy elveszti a gép feletti uralmat, megcsúszik vagy elesik, ami személyi sérüléshez vezethet.
- m) A fűnyíró tolatásakor vagy magához húzásakor fokozott óvatossággal járjon el. Mindig figyeljen oda a környezetére. Ez csökkenti a használat közbeni megbotlás kockázatát.
- n) Ne érintse meg a késeket és más veszélyes mozgó alkatrészeket, amíg azok mozgásban

vannak. Ez csökkenti a mozgó alkatrészek okozta személyi sérülések kockázatát.

- o) Beszorult anyag eltávolításakor vagy a fűnyíró tisztításakor győződjön meg arról, hogy minden hálózati kapcsoló ki van kapcsolva, és az akkumulátoregység hátlapja le van választva. A fűnyíró nem vár működése súlyos személyi sérülést okozhat.

AZ AKKUMULÁTORRAL KAPCSOLATOS BIZTONSÁGI FIGYELMEZTETÉSEK

- a) Az akkumulátort ne szedje szét, ne nyissa fel és ne vágja meg.
- b) Ne zárja rövidre az akkumulátort. Az akkumulátorokat ne tárolja olyan dobozban vagy fiókban, ahol rövidre zárhatják egymást, vagy valamilyen vezeték anyag a rövidzárlatukat okozhatja. Az akkumulátorokat használaton kívül tartsa a fémtárgyaktól, például gemkapcsoktól, pénzérméktől, kulcsoktól, szögektől, csavaroktól vagy más kis fémtárgyaktól távol, mert ezek összekapcsolhatják a pólusokat. Az akkumulátor pólusainak rövidzárlata égés- és tűzveszélyes.
- c) Ne tegye ki hőnek vagy tűznek az akkumulátort. Ne tárolja közvetlen napfényben.
- d) Az akkumulátort ne tegye ki ütésnek.
- e) Ha az akkumulátor szivárog, vigyázzon, hogy a folyadék ne kerüljön a bőrre vagy szembe. Amennyiben a bőrre vagy szembe kerül, az érintett területet mossa le bő vízzel, és forduljon orvoshoz.
- f) Vigyázzon, hogy az akkumulátor tiszta és száraz maradjon.
- g) Ha az akkumulátor pólusaira szennyeződés kerül, azt egy tiszta, száraz ruhával törölje le.
- h) Az akkumulátort használat előtt fel kell tölteni. A töltést mindig az utasításoknak megfelelően, helyes eljárást használva végezze.
- i) Használaton kívül ne hagyja töltőn az akkumulátort.
- j) Hosszan tartó tárolást követően a maximális teljesítmény elérése érdekében szükséges lehet, hogy az akkumulátort többször feltöltse és lemerítse.
- k) Csak a Kress által javasolt töltővel töltsen fel. Kizárólag a készülékhez való használatra mellékelt töltőt használja.
- l) Ne használjon a készülékkel való használatra tervezettől eltérő akkumulátort.
- m) Az akkumulátor gyermekektől távol tartandó.
- n) Őrizze meg a termékhez mellékelt

utasításokat, a későbbiekben szüksége lehet ezekre.

- o) Amikor a szerszámot nem használja, vegye ki belőle az akkumulátort.
 p) Ártalmatlanításnál megfelelően járjon el.
 q) Ne helyezzen be különböző gyártóktól származó, illetve eltérő kapacitású, méretű vagy típusú akkukat a készülékbe.
 r) Tartsa távol az akkumulátort mikrohullámoktól és nagy nyomástól.
 s) Figyelem! Ne használjon nem újratölthető elemeket.

A VEZETÉK NÉLKÜLI TERMÉKRE VONATKOZÓ FELHASZNÁLÓI KÉZIKÖNYV ELŐÍRÁSAI

- a) A készülék működtetése a következő két feltételhez van kötve:
 (1) Ez a készülék nem okozhat káros interferenciát, és
 (2) a készüléknek el kell viselnie minden külső interferenciát, beleértve azt is, amely nem szándékolt működést okozhat.
- b) Vigyázat! A készülék megfelelőségért felelős fél által kifejezetten nem jóváhagyott módosításai és változtatásai érvényteleníthetik a felhasználónak a készülék használatára vonatkozó jogát.
- c) MEGJEGYZÉS: A berendezés rádiófrekvenciás energiát állít elő, használ és sugároz, ami, ha a készüléket nem az utasításoknak megfelelően használják, zavarhatja a rádiós kommunikációt. Nem garantálható ugyanakkor, hogy egy adott alkalmazás során nem lép fel interferencia. Amennyiben ez a készülék zavaró interferenciát okoz a rádió- vagy televízióműsorok vételében, amit a készülék ki- és bekapcsolásával lehet megállapítani, arra kérjük a készülék használóját, hogy próbálja meg kiküszöbölni az interferenciát a következő megoldások egyikével:
 - Változtassa meg a vevőantenna irányát vagy helyét.
 - Növelje a távolságot a berendezés és a vevőkészülék között.
 - Csatlakoztassa a készüléket egy olyan konnektorba, amelyik másik áramkörön van, mint amelyekre a vevőkészülék csatlakoztatva van.
 - Forduljon segítségért a márkakereskedőhöz vagy egy tapasztalt rádió-/TV-szerelőhöz.

	FIGYELEM
	FIGYELEM – Vigyázzon az eldobott tárgyakkal – tartsa távol a járókelőket
	FIGYELEM – Tartsa távol a kezét és lábát a késektől
	FIGYELMEZTETÉS – Karbantartás előtt válassza le az akkumulátort
	A penge a motor kikapcsolását követően is forog. Várja meg, amíg a gép minden alkatrésze teljesen leáll, mielőtt hozzányúlna.
	Viseljen védőkesztyűt
	Mielőtt bármilyen beállítást, szervizelést vagy karbantartást végezne, távolítsa el az akkumulátorok.
	Az akkumulátor nem megfelelő leselejtezés esetén bekerülhet a víz körforgásba, ami veszélyes lehet az ökoszisztémára nézve. A hulladék akkumulátort ne dobja a kommunális hulladékba
	Ne dobja tűzbe
	Nagy sebesség
	Alacsony sebesség

HU

SZIMBÓLUMOK



A sérülésveszély csökkentése érdekében a felhasználónak el kell olvasnia az utasításokat



Li-Ion



Lítium-ion akkumulátor. A terméken található szimbólum arra utal, hogy minden akkumulátorcsomagot külön kell gyűjteni. Ezeket aztán újrahasznosítják vagy szétszerelik, hogy csökkentsék a környezetre gyakorolt hatását. Az akkumulátorcsomag veszélyes lehet a környezetre és az emberi egészségre nézve, mivel veszélyes anyagokat tartalmaz.



A leselejtezett elektromos készülékek nem dobhatók ki a háztartási hulladékkal. Ha van a közelben elektromos hulladék gyűjtő udvar, vigye oda a készüléket. Az újrahasznosítási lehetőségekről tájékozódjon a helyi hatóságoknál vagy a kereskedőnél.

ÖSSZESZERELÉS ÉS MŰKÖDÉS



MEGJEGYZÉS: A szerszám használatá előtt olvassa el figyelmesen a használati útmutatót.

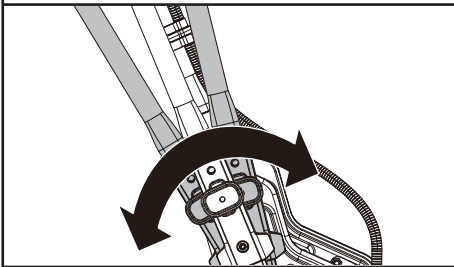


HASZNÁLAT ELŐTT

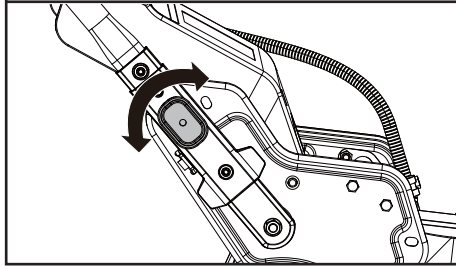
Markolatmagasság beállítása és alsó markolatok felszerelése. (Lásd az A1. és az A2. ábrát)

3 magassági fokozat választható. Válassza ki a megfelelő magasságot, és fordítsa el a beállítógombot.

A1

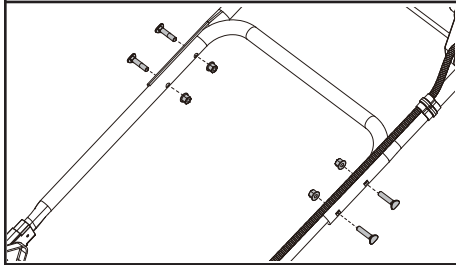


A2



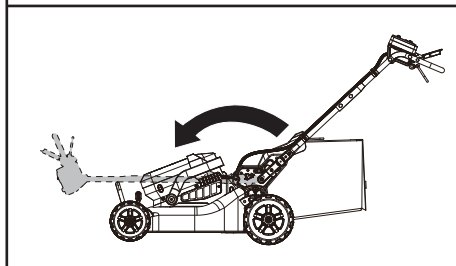
Felső markolat felszerelése. (Lásd az A3. ábrát.)

A3

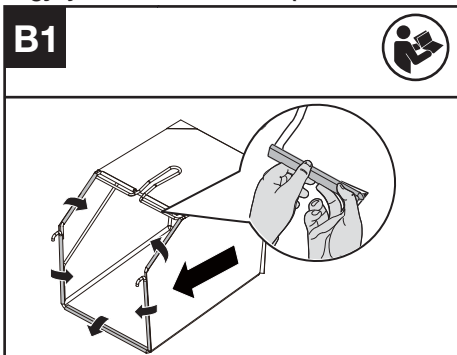


MEGJEGYZÉS: A markolatok szállításhoz vagy szezonon kívüli tároláshoz felhajthatók. (Lásd az A4. ábrát.)

A4



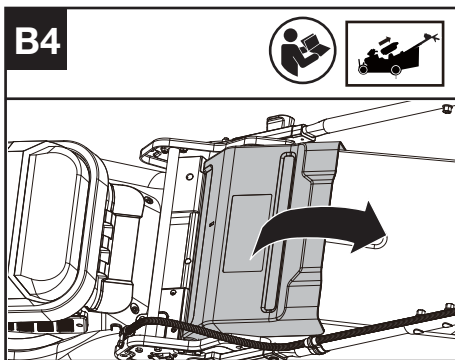
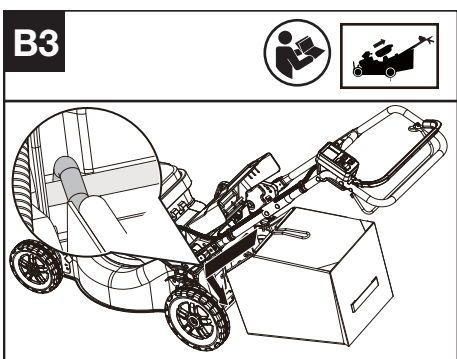
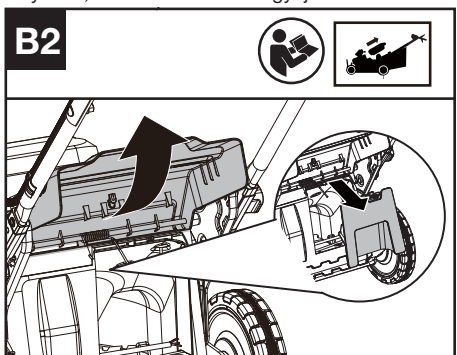
Fűgyújtó zsák felszerelése (lásd a B1. ábrát)



Fűgyújtó zsák felszerelése a fűnyíróra (lásd a B2. B3. és B4. ábrát)

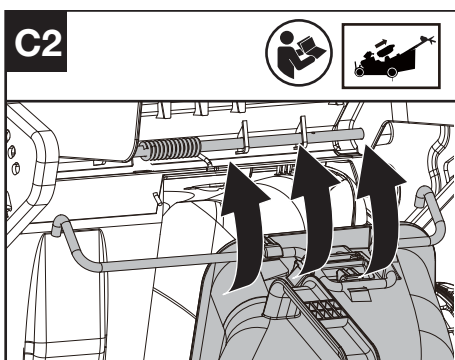
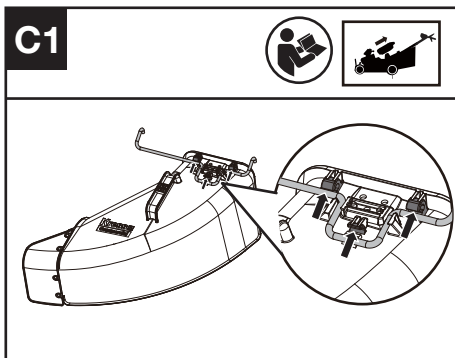
MEGJEGYZÉS: Óvatosan nyomja le a fűgyújtó zsákot, hogy biztosan rögzüljön a helyén.

MEGJEGYZÉS: Távolítsa el a mulcsozó dugót a fűnyíróról, mielőtt felszereli a fűgyújtó zsákot.



Az oldalsó kiürítő csatorna felszerelése a fűnyíróra (lásd a C1., C2. ábrát)

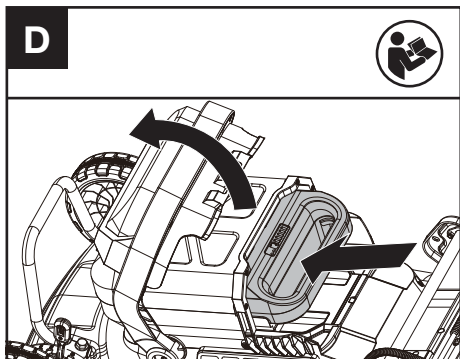
MEGJEGYZÉS: Vegye ki a fűnyíróból a mulcsozó dugót, és távolítsa el a fűgyújtó zsákot, mielőtt felszerelné az oldalsó kiürítő csatornát.



Akkumulátor töltöttségének ellenőrzése, és az akkumulátor feltöltése.

MEGJEGYZÉS: Az akkumulátor gyárilag nincsen feltöltve. Az első fűnyírás előtt az akkumulátort teljesen fel kell tölteni. További részleteket az akkumulátor és a töltő kézikönyvében talál.

Akkumulátor beszerelése/eltávolítása (Lásd 3az D. ábrát)



A vezérlőelemek ellenőrzése

1. Távolítsa el az akkumulátort.
2. Próbálja megnyomni a főkapcsolót, a vágókés indítógombot vagy a vágókés fordulatszám-szabályozót. Ha a főkapcsoló, vágókés indítógomb vagy vágókés fordulatszám-szabályozó beragad és nem ugrik vissza eredeti helyére, ne használja tovább a fűnyírót, és vegye fel a kapcsolatot egy szakszervizzel.
3. Próbálja meg meghúzni a nyírási biztosítékkart vagy az önjárás biztosítékkart. Ha a nyírási biztosítékkar vagy az önjárás biztosítékkar beragad, és nem ugrik vissza eredeti helyére, ne használja tovább a fűnyírót, és vegye fel a kapcsolatot egy szakszervizzel.
4. Fordítsa el az önjárás fordulatszám-szabályozót. Ha az önjárás fordulatszám-szabályozó beragad, ne használja tovább a fűnyírót, és vegye fel a kapcsolatot egy szakszervizzel.

Kijelző ellenőrzése (Lásd az E. ábrát)

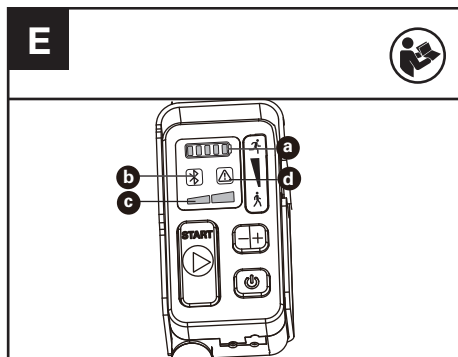
1. Szerelje be az akkumulátort.
2. Tartsa nyomva a főkapcsolót, ekkor az akkumulátor visszajelző (a) és a vágási fordulatszám visszajelző (c) világítani kezd.
3. Nyomja meg a vágókés indítógombot, és az indításhoz húzza meg a nyírási biztosítékkart.
4. Ha a vészjelző (d) villog, megoldásért olvassa el a **Hibaelhárítás** fejezetet.
5. Engedje el a nyírási biztosítékkart. A vágókés kis idő elteltével nem forog tovább. Ha a fűnyíró nem tud leállni, távolítsa el az akkumulátort, és vegye fel a kapcsolatot egy szakszervizzel.

LED visszajelzők

- | | |
|----|----------------------------------|
| a. | AKKUMULÁTOR VISSZAJELZŐ |
| b. | BLUETOOTH VISSZAJELZŐ |
| c. | VÁGÓKÉS-FORDULATSZÁM VISSZAJELZŐ |
| d. | VÉSZJELZŐ |

MEGJEGYZÉS: A gép meghibásodása esetén a

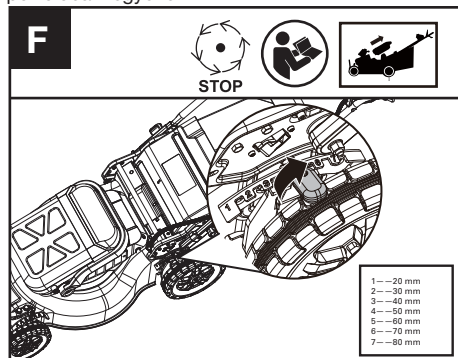
vészjelző pirosan vagy sárgán villog. Ha a piros fény villog, kérjük, forduljon a kereskedőhöz. Ha a sárga fény villog, kapcsolja ki a gépet, vegye ki, majd helyezze vissza az akkumulátort és kapcsolja be a gépet. Ha a sárga lámpa továbbra is villog, kérjük, forduljon a kereskedőhöz.



Vágási magasság beállítása (Lásd a F. ábrát)

Állítsa be a vágási magasságot az első és hátsó kerék vágási magasság beállító karjával.

MEGJEGYZÉS: A magasság beállítása során ügyeljen arra, hogy az első és hátsó kerekek azonos pozícióban legyenek.



FIGYELMEZTETÉS! Állítsa le, engedje fel a működési biztosítékokat, és várjon, amíg a motor leáll, mielőtt beállítja a magasságot. A készülék kikapcsolását követően a kések tovább forognak, a forgó kések pedig sérülésveszélyesek. Mielőtt a készülék valamely alkatrészéhez érne, várja meg, hogy teljesen leálljon.

HASZNÁLAT

A fűnyíró beindítása és leállítása (Lásd G. ábra)

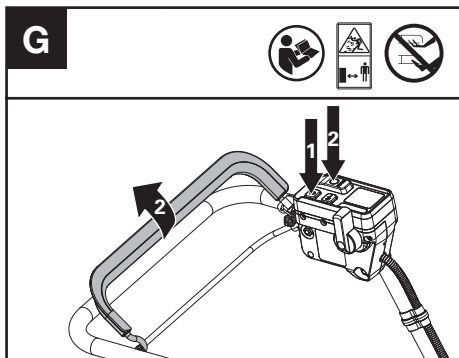
1. Nyomja meg a főkapcsolót
2. Nyomja meg a vágókés indítógombját (Nyomja le), és húzza meg a működtető kar rögzítő bilincset a gép indításához.

3. A leállításhoz engedje el a vágási biztosítékkart.

FIGYELEM! A vágókés tovább forog, miután a fűnyírót kikapcsolta. Várja meg, amíg teljesen leáll.

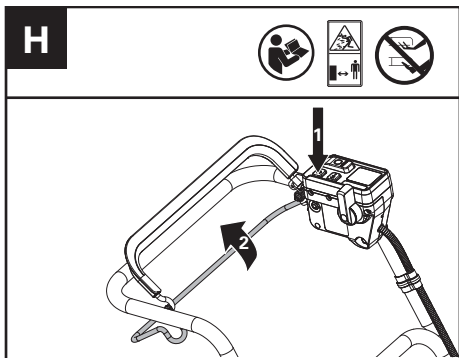
MEGJEGYZÉS: Az indításhoz nyomja meg a vágókés indítógombot, és vele egyszerre húzza meg a vágási biztosítékkart

MEGJEGYZÉS: Tartsa nyomva a főkapcsolót, és bekapcsol a kijelző. A kijelző automatikusan kikapcsol, ha 60 percig nem működött semmit.

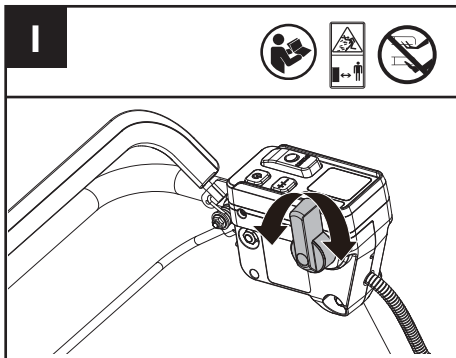


Önjáró rendszer használata (Lásd az H. ábrát)

1. Nyomja meg a főkapcsolót
2. Húzza meg az önjárás biztosítékkart, hogy beindítsa az önjáró rendszert.
3. A leállításhoz engedje el az önjárás biztosítékkart.

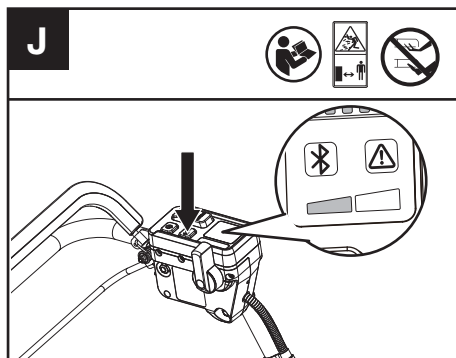


Önjáró sebesség kiválasztása (Lásd a I. ábrát)



Vágási fordulatszám kiválasztása (Lásd a J. ábrát)

2 vágási fordulatszám választható a használati körülményeknek megfelelően. A +/- gombok segítségével szabályozhatja a fordulatszámot, amelyet a LED visszajelzők jeleznek. Minél magasabb a fordulatszám, annál gyorsabban forog a szerszám.



TIPPEK SZÁRZÚZÁSOS FŰNYÍRÁSHOZ

Szárzúzáskor a fűnyíró apróra vágja a lenyírt fűvet, majd szétteríti a pázsiton. Standard esetben e fűdarabkák gyorsan elbomlanak, és táplálják a pázsitot.

Optimális szárzúzási eredményt az alábbi javaslatok betartása esetén kap.

- 1) Kerülje a fűnyírást, amikor a fű nedves az esőtől vagy a harmattól. A nedves gyep csomósodhat, ami befolyásolhatja a mulcsozást, és csökkenti az üzemidőt.
- 2) A legjobb szárzúzási eredmény érdekében a nyírást magasságát legfeljebb 40 mm-re, azaz megközelítőleg a fűszálak hosszának egyharmadára állítsa be. Ha a fűszálak ennél hosszabbak, a motor túlterhelésének megelőzése és a könnyebb haladás érdekében

állítsa magasabbra a fűnyírás magasságot. Hosszabb szálú fű szárzúzása esetén először állítsa be maximumra a fűnyírás magasságot, és csak második áthaladáskor állítsa be a végeredményként kívánt magasságot. További lehetőség csak a vágási szélesség egy részét kihasználni, és vágás közben lassan haladni.

- 3) A legjobb teljesítmény érdekében távolítsa el a feltekeredő fűvet a fűnyíróról. Időnként kapcsolja ki a fűnyírót, és várja meg, amíg a kések teljesen megállnak. Távolítsa el az akkumulátort, és fordítsa a fűnyírót az oldalára. Valamilyen eszközzel, például egy bottal, távolítsa el a vágókés körül felgyülemlt fűvet. Legyen óvatos, mert kések élesek. Ügyeljen arra, hogy nedves vagy új fű vágásakor gyakran, valamint a gép használata után minden alkalommal tisztítsa meg a pengék területét.
- 4) Egyes fűfajták vagy bizonyos fűnyírás körülmények megkövetelik, hogy a lenyírt felületen még egyszer végighaladjon, és a fűnyíró egyenletesen szétterítse a lenyírt fűvet. A második áthaladás során ajánlott az eredeti haladási irányra merőlegesen haladni. **SOHA SEMMILYEN KÖRÜLMÉNYEK KÖZÖTT NE VÁLTOZTASSA MEG A NYÍRÁSI IRÁNYT ÚGY, HOGY DOMBRÓL LEFELÉ KELLJEN HALADNIA.**
- 5) Minden héten kissé eltérő útvonalon haladjon, mint az előző héten. Ezzel megelőzheti, hogy rajzolatok alakuljanak ki a pázsiton.
- 6) Ne nyírjon fűvet olyan lejtőn, amelynek szöge nagyobb, mint 18°.

LENYÍRT ALAPTERÜLET

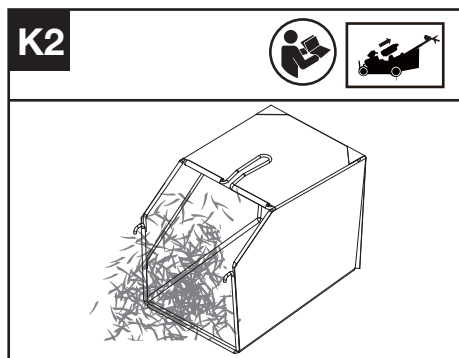
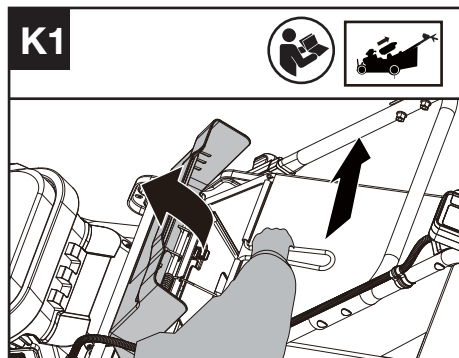
A lenyírt alapterület méretét számos tényező befolyásolja, például a nyírás magassága, a nedves fű, a fűszálak hossza vagy sűrűsége. A fűnyíró használat közbeni túlságosan gyakori be- és kikapcsolása csökkenti a lenyírt alapterületet.

TANÁCSOK:

- 1) Ajánlott a fűvet rövidebb intervallumokba, standard tempóban haladva, és a fűnyíró munka közbeni gyakori ki- és bekapcsolását elkerülve nyírni.
- 2) A legjobb teljesítmény érdekében ügyeljen rá, hogy az akkumulátor teljesen fel legyen töltve, és legfeljebb a fű magasságának 1/3-át vágja le. Szezonkezdet előtt javasoljuk, hogy szereljen fel új vágókést.
- 3) Magas fű nyírásakor a lehető leghatékonyabb fűnyírás és fűkibobás érdekében lassan haladjon.
- 4) Kerülje a nedves vagy harmatos fű nyírását, ellenkező esetben a lenyírt fű összeragad a vágórész alján, és a nem vezethető el, nem dobható félre megfelelően.
- 5) Fiatal vagy sűrű fű esetén használjon magasabb nyírás magasságot, ezzel is meghosszabbíthatja az akku üzemi élettartamát.

A fűgyűjtő zsák kiürítése (Lásd az K1. K2. ábrát)

⚠ FIGYELEM! Használat előtt mindig ellenőrizze, hogy a kiömőgarat biztonsági fedele zárva van-e. Soha ne emelje fel a biztonsági fedelet vagy távolítsa el a mulcsozó dugót, amikor a fűnyíró használatban van, és nincsen felszerelve fűgyűjtő zsák.



FIGYELMEZTETÉSEK

A lemerítéshez ajánlott környezeti hőmérséklet-tartomány -20 °C~45 °C (-4 °F~113 °F). A töltőrendszer csak -5 °C~45 °C (23 °F~113 °F) közötti ajánlott környezeti hőmérsékleteken használható.

Részletek a használt akkumulátorok biztonságos ártalmatlanításával kapcsolatban:

A készülék élettartamának végén távolítsa el az akkumulátor csomagot a készülékből, mielőtt az kárba menne. Ne dobják el az akkumulátorokat vagy tegyék őket a szokásos szemetesbe. Ne is dobja el az akkumulátort a géppel együtt. Vegye ki a használt akkumulátor csomagot a készülékből, és a lehető legközelebbi vagy megfelelő, erre a célra kijelölt újrahasznosító központba helyezze el. Kétség esetén forduljon a helyi környezetvédelmi hatóságához. Az akkumulátorok nem megfelelő ártalmatlanítása esetén bekerülhetnek a vízkörforgásba, ami veszélyes

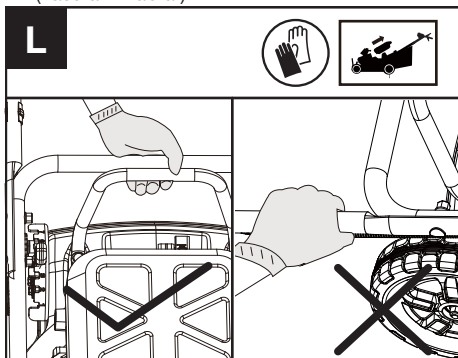
lehet az ökoszisztémára. Ne dobja el a hulladék
akkumulátorokat osztatlan háztartási hulladékként.

SZÁLLÍTÁS

A fűnyíró szállítása

1. Kapcsolja ki a fűnyírót, és távolítsa el az akkumulátort.
2. A fűnyíró szállításához a vágókés beindítása nélkül is használhatja az önjáró funkciót.
3. A fűnyíró megemeléséhez azt javasoljuk, hogy az emelést két ember végezze a fűnyíró két oldalán a motorvédő burkolatnál, valamint az alsó markolat csatlakozási pontjánál fogva.

Ha a gépet összehajtott állapotban emeli fel, a motorburkolatot fogja meg, ne a fogantyúkat. (Lásd az L. ábrát)



Az akkumulátor szállítása

1. Gondoskodjon arról, hogy az akkumulátor biztonságos állapotban legyen.
2. Az akkumulátor szállításakor olyan csomagolást használjon, amely nem vezeti az áramot.
3. A benne lévő Li-ion akkumulátorokra a veszélyes árukra vonatkozó jogszabályi követelmények vonatkoznak.

Az akkumulátorokat csak akkor szállítsa, ha az akkumulátorház sértetlen. Az akkumulátorokat úgy csomagolja be, hogy ne tudjanak elmozdulni a csomagolásban.

KARBANTARTÁS

FIGYELEM! A fűgyűjtő zsák eltávolítása előtt állítsa le a fűnyírót, és távolítsa el az akkumulátort.

MEGJEGYZÉS: A hosszú élettartam és megbízható használat érdekében rendszeresen végezze el az alábbi karbantartási műveleteket. Ellenőrizze az egyértelmű hibákat: laza, elmozdult vagy sérült késeket, meglazult csavarokat, kopott vagy sérült alkatrészeket. Ellenőrizze, hogy a fedőlapok és védőelemek sérülésmentesek legyenek, és megfelelően illeszkedjenek a fűnyíróra. Mielőtt a fűnyírót működtetné, végezzen el minden szükséges

karbantartást vagy javítást. Ha a rendszeres karbantartás ellenére a fűnyíró elromlik, kérjük, hívja ügyfélszolgálati vonalunkat, és kérjen segítséget.

A VÁGÓKÉS ÉLEZÉSE

A LEGJOBB FŰNYÍRÁSI TELJESÍTMÉNY ÉRDEKÉBEN A VÁGÓKÉS LEGYEN ÉLES. A TOMPA PENGÉ NEM VÁGJA LE EGYENLETESEN A FŰVET, VAGY NEM MULCSOZ MEGFELELŐEN. A VÁGÓKÉS ELTÁVOLÍTÁSOKOR, ÉLEZÉSEKOR ÉS FELSZERELÉSEKOR VISELJEN VÉDŐSZEMÜVEGET ÉS VÁGÁSÁLLÓ KESZTYŰT.

MEGJEGYZÉS: 50 óránként élezze meg vagy cserélje a vágókést. A homok a kés gyors kicsorbulását okozza. Ha a fű homokos talajban nő, gyakrabban lehet szükség az élezésre vagy a cserére. d.

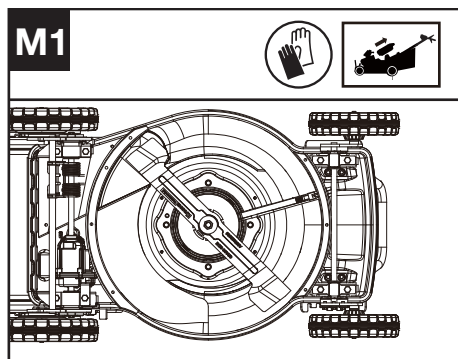
AZ ELGÖRBÜLT VAGY SÉRÜLT VÁGÓKÉST AZONNAL CSERÉLJE.

A VÁGÓKÉS ÉLEZÉSEKOR

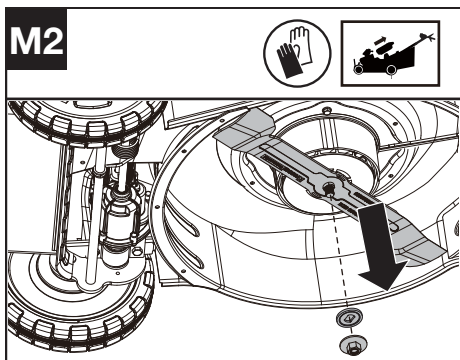
1. Helyezzen egy fahasábot, hogy megakadályozza a vágókés elfordulását.
2. Csőkulccsal és villáskulccsal távolítsa el a vágókés csavarját, majd a vágókést. (Lásd a vágókés eltávolítása részt)
3. Fogja be a vágókést egy satuba, vagy hasonlóba, hogy ne mozdulhasson el élezés közben.
4. Élezze meg a vágókés mindkét végét. Ügyeljen rá, hogy azonos mennyiségű anyagot távolítson el mindkét végéről, hogy megőrizze a vágókés egyensúlyát.
5. Ellenőrizze a vágókés egyensúlyát. (Lásd a vágókés kiegyensúlyozása részt)
6. Szerelje vissza a vágókést az eltávolítási folyamat megfordításával.
7. Ügyeljen rá, hogy a vágókést a megfelelő nyomatékkal (25 Nm/18,4 ft-lbs) húzza meg.

MEGJEGYZÉS:

1. Gondoskodjon róla, hogy a fűnyíró ki legyen kapcsolva, és távolítsa el az akkumulátort.
2. Billentse a fűnyírót az oldalára, lásd az M1. ábrát

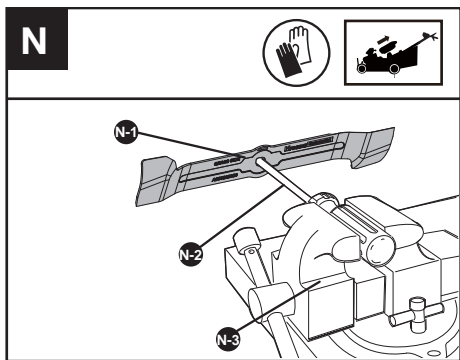


VÁGÓKÉS ELTÁVOLÍTÁSA (LÁSD AZ M2. ÁBRÁT)



A KÉSEK EGYENSÚLYOZÁSA (LÁSD AZ N ÁBRÁT)

A kések egyensúlyozását a következőképpen ellenőrizheti: helyezze a kés közepén található lyukat N-1 egy csavarhúzó fejére N-2, amelyet vízszintesen egy satuba rögzített N-3. Ha a kés valamelyik vége lefele fordul, csiszolja meg azt a végét. A kés akkor van megfelelő egyensúlyban, ha egyik vége sem fordul lefele.



VÁGÓKÉS CSERÉJE

-Különböző munkakörülményekhez eltérő vágókészek használatát javasoljuk a jobb eredmény érdekében.

KÉS	FUNKCIÓ
Magas emelkedésű kés	Zsákoláshoz javasolt
Fogazott kés	Mulcsozáshoz javasolt

TISZTÍTÁS

1. Állítsa le a fűnyírót, és távolítsa el az akkumulátort.
2. Ne használjon agresszív tisztító- vagy

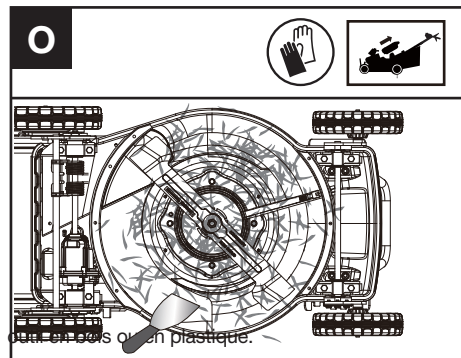
oldószereket. Használat után tisztítsa meg a készüléket egy semleges tisztítószerbe mártott nedves kendővel.

3. Távolítsa el az aljatról az idegen anyagokat, puha és száraz kefével vagy kendővel tisztítsa meg
4. Ne spricceljen vizet a motorra és az elektromos alkatrészekre.
5. Ne használjon nagynyomású mosóberendezést a gép megtisztításához.

Mulcsozólemez és a kések környékének tisztítása. (Lásd a O. ábrát.)

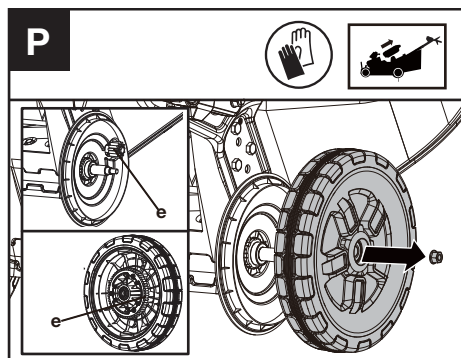
Távolítsa el a fűtörmelékét és a szennyeződéseket a burkolatról és a kések környékéről.

Ha levágott gyepparabok tömörültek a kés környékére, fa- vagy műanyagesszközzel távolítsa el.



Kerekek tisztítása. (Lásd a P. ábrát.)

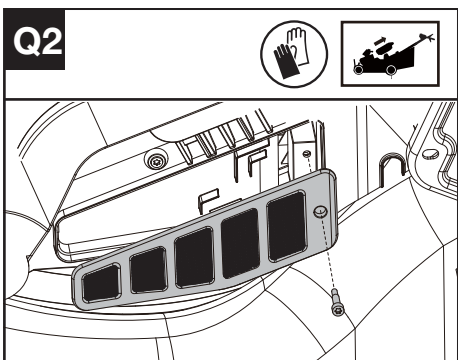
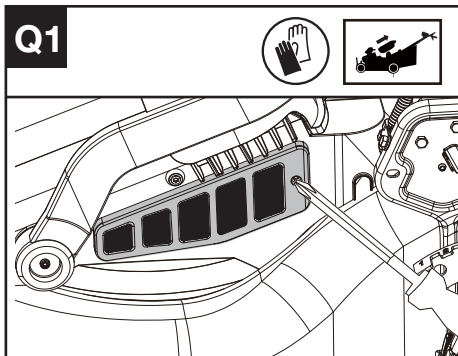
- Állítsa le a fűnyírót, és távolítsa el az akkumulátort.
- 50 üzemóránként tisztítsa meg a kerekeket, szélsőséges körülmények közt gyakrabban.
- Távolítsa el a hátsó kerekeket, és távolítsa el a hajtómű környékéről a fűtörmelékét és a szennyeződéseket.
- A tisztítást követően javasoljuk, hogy vigyen fel kis mennyiségű szerelőpasztát (Anti-Seize) a fogaskerekekre (e).



A légszűrő tisztítása (lásd az Q1. Q2. ábrát)

1. Tisztítsa meg a légszűrő környékét. Használjon nedves ruhát vagy puha keféket.
2. Csavarja ki és vegye ki a légszűrőt.
3. Folyó vízzel mossa ki a légszűrőt a szennyeződések eltávolítása érdekében.
4. Hagyja a légszűrőt a levegőn megszáradni. Ezután a csavar meghúzásával szerelje be a házba.

6. Ha működés közben az eső miatt nedves lett, a gépet és az akkumulátort tárolás vagy töltés előtt meg kell szárítani. Vegye ki az akkumulátort, és helyezze vissza, ha a készülék nem kapcsol be.



TÁROLÁS

1. Állítsa le a fűnyírót, és távolítsa el az akkumulátort.
2. Tisztítsa meg alaposan a gép külsejét puha kefével és ronggyal. Ne használjon oldószereket vagy súrolószereket. Távolítsa el minden fűvet és törmelékét, különösen a szellőzőnyílásokból, a mulcsozólemeztől, a kés környékéről és a kerekekről.
3. Tárolja a gépet száraz helyen, ahol gyermekek és más illetéktelen személyek nem férhetnek hozzá. Ne helyezzen más tárgyakat a gép tetejére.
4. A tárolás megkönnyítése érdekében, hogy behajthassa a markolatot.
5. Az akkumulátort csak 5 °C (41 °F) és 25 °C (77 °F) közötti hőmérséklet-tartományban tárolja. Például nyáron ne hagyja az akkumulátort az autóban.

HIBAKERESÉS

A következő táblázat a problémákat és a lehetséges intézkedéseket tartalmazza, ha a gép nem működik megfelelően.




FIGYELEM! A hibaelhárítás előtt kapcsolja ki a készüléket, és vegye ki az akkumulátort.

TÜNETEK	ELHÁRÍTÁS MÓDJA
1. A fűnyíró nem működik, ha a Működési biztosíték be van kapcsolva.	A. Győződjön meg róla, hogy a vágókés indítógomb teljesen be van-e nyomva. B. Engedje el a vágási biztosítékkart a fűnyíró kikapcsolásához. Távolítsa el az akkumulátort, fordítsa oldalára a fűnyírót, és ellenőrizze, hogy a vágókés szabadon forog-e. Ha nem szabad, vigye szakszervizbe. A késnek szabadon kell tudnia forogni. C. Teljesen fel lett töltve az akkumulátor? Csatlakoztassa a töltőt, és várja meg, hogy a zöld fény világítani kezdjen. D. Az indításhoz nyomja meg a vágókés indítógombot, és vele egyszerre húzza meg a vágási biztosítékkart.
2. Fűnyírás közben leáll a motor.	A. Engedje el a vágási biztosítékkart a fűnyíró kikapcsolásához. Távolítsa el az akkumulátort, fordítsa meg a fűnyírót, hogy ellenőrizze, nincs-e fűtörmelékkel eltömődve. Távolítsa el a fűtörmeléket a vágókés forgási területéről. Ezután ellenőrizze, hogy a vágókés szabadon forog-e. Ha nem szabad, vigye szakszervizbe. A késnek szabadon kell tudnia forogni. B. Állítsa a kereket a legnagyobb vágási magasságra, majd indítsa a fűnyírót. C. Teljesen fel van töltve az akkumulátor? Kapcsolja be a töltőt, és várja meg a zöld fényvel világító LED felgyulladását. D. Kerülje a fűnyíró túlterhelését. Nyírjon lassabban, vagy állítson be nagyobb vágási magasságot. Vagy mindkettőn változtasson.
3. A fűnyíró működik, de a teljesítménye nem felel meg az elvárásoknak, vagy nem mindenhol nyírja le a fűvet.	A. Teljesen fel van töltve az akkumulátor? Kapcsolja be a töltőt, és várja meg a zöld fényvel világító LED felgyulladását. B. Engedje el a vágási biztosítékkart a fűnyíró kikapcsolásához. Távolítsa el az akkumulátort. Fordítsa meg a fűnyírót, és ellenőrizze: Vágókés élessége – a kés mindig legyen éles. Ellenőrizze az ürtőgaratot eltömődés szempontjából. C. Lehet, hogy a fű jellegéhez képest túl kis magasságra vannak állítva a kerekek. Állítson be nagyobb magasságot.
4. Túl nehéz tolni a fűnyírót.	A. Állítson be nagyobb magasságot, hogy a kesház kevésbé súrolja a fűvet. Ellenőrizze, hogy minden kerék szabadon forgatható-e.
5. A fűnyíró rendellenes zajt kelt és rázkódik.	A. Engedje el a vágási biztosítékkart a fűnyíró kikapcsolásához. Távolítsa el az akkumulátort. Fordítsa a fűnyírót az oldalára, és ellenőrizze, hogy a vágókés nincs-e elgörbülve vagy megsérülve. Ha a vágókés sérült, cserélje ki. Ha a burkolat alsó része sérült, vigye a fűnyírót hivatalos szakszervizbe. B. Ha a kés láthatóan nem sérült, és a fűnyíró továbbra is vibrál: Engedje el a vágási biztosítékkart, távolítsa el az akkumulátort, és távolítsa el a vágókést. Fordítsa meg a kést 180 fokkal, és húzza meg újra. Ha a fűnyíró még mindig vibrál, vigye a fűnyírót hivatalos szakszervizbe.
6. Az akkutöltő LED-je nincs bekapcsolva.	A. Ellenőrizze a dugasz csatlakoztatását. B. Cserélje ki a töltőt.
7. Az akkutöltő LED-je nem vált zöld színre.	A. Az akkut meg kell vizsgálatni. Vigye egy hivatalos márkaszervizbe.

8. A fűnyírógép fűgyűjtő zsákja nem gyűjti össze a lenyírt fűszálakat.	A. Eltömődött hátsó ürítőgarat. Engedje el a vágási biztosítékkart a fűnyíró kikapcsolásához. Távolítsa el az akkumulátort. Távolítsa el a garatból a fűtörmelékét. B. Túl sok levágott fű. Emeljen a kerekek magasságán, hogy csökkentse a levágott mennyiséget. C. Tele van a zsák. Gyakrabban ürítse a zsákat.
9. Talajtakarás közben a talajon lenyírt fűszálak láthatók.	A. Túl sok fűvet nyír le. Állítsa a kerekeket nagyobb magasságra, hogy kisebb legyen a vágás hossza. Csak a teljes vágáshossz maximum 1/3-ig vágjon. B. Ellenőrizze a vágóél élességét. Gondoskodjon, hogy az él mindig éles legyen. C. Csökkentse a sebességet, ha a fű magas vagy rendkívül dús.
10. Rövid vagy csökkent üzemidő a gép többszöri használata után.	A. Térjen vissza a hivatalos márkaszervizbe – előfordulhat, hogy új akkura van szükség.
11. A vészjelző villog.	A. Kapcsolja ki a gépet, vegye ki, majd helyezze vissza az akkumulátort és kapcsolja be a gépet. B. Vegye fel a kapcsolatot egy szakszervizzel

MŰSZAKI ADATOK

Típus: **KC720 KC720.X (720 – a berendezés megnevezése, megerősített acél kэшázás önjáró fűnyíró)**

	KC720 KC720.X **
Feszültség	60V  Max***
Burkolat anyaga	Megerősített acél -1.8 mm
Vágási szélesség	47 cm
Max. önjáró sebesség	6.4 km/h
Vágási magasság	20-80 mm
Vágásmagassági pozíciók	7
Fűgyűjtő zsák kapacitása	70 L
Védelmi fokozat	IPX4
Üzemidő	70min@11Ah****
Gép tömege (csupaszz szerszám)	38 kg

** X = 1-999, A-Z, M1-M9 csak különféle vásárlókra vonatkozik, ezek között a modellek között nincs biztonsági változás.

*** Terhelés nélküli feszültség. Az akkumulátor kezdő feszültsége maximum 60 volt. A névleges feszültség 54 volt.

**** Az üzemidő az eszköz használatának módja és a fű tulajdonságai alapján változhat. A kiválasztott vágási fordulatszám befolyásolja az akkumulátor üzemidejét. Minél alacsonyabb a fordulatszám, annál hosszabb az üzemidő.

JAVASOLT AKKUMULÁTOROK ÉS TÖLTŐK

Akkumulató	Mapacitás	Töltés	Amperage
KAC810	11 Ah	KAC840	30 A

Javasoljuk, hogy a tartozékokat ugyanattól a kereskedőtől vásárolja meg, aki a szerszámot is eladta. További részletekért olvassa el a tartozékcsomagolást. A márkakereskedő segíthet Önnek és tanácsot adhat.

TECHNICAL DATA FOR BATTERY PACK (OPTIONAL)

Frequency bands for Bluetooth	2400-2483.5 MHz
Maximum Output Power for Bluetooth	8 dBm

ZAJÉRTÉKEK

A-súlyozású hangnyomásmérszint	$L_{pA} = 83.2 \text{ dB(A)}$
K_{pA}	3 dB(A)
A-súlyozású hangerő	$L_{WA} = 95.84 \text{ dB(A)}$
K_{WA}	0.65 dB(A)

Viseljen hallásvédőt.



REZGÉSÉRTÉKEK

Tipikus súlyozott rezgés $a_h < 2.5 \text{ m/s}^2$

Bizonytalanság $K = 1.5 \text{ m/s}^2$

FIGYELEM: Az elektromos kéziszerszám használata során a rezgés kibocsátás eltérhet a fenti értéktől attól függően, hogy a szerszámot hogyan használják. Az érték függhet az alábbiaktól:

Hogyan használják a szerszámot, milyen anyagokat vágnak vagy fúrnak.

Az eszköz jó állapotban van-e, megfelelően karbantartják-e.

Megfelelő tartozékokat használnak-e az eszközhöz, vigyáznak-e, hogy éles legyen és jó állapotban maradjon.

A fogantyú megfelelően rögzül-e, használnak-e rezgéscsillapító tartozékokat.

A szerszámot rendeltetésszerűen, kialakításának és a jelen utasításoknak megfelelően használják-e.

Ha a szerszámot nem kezelik megfelelően, kéz-kar vibrációs szindrómát okozhat.

FIGYELEM: A pontosság érdekében az expozíciós szint becslést értékehez a valós használati körülmények között figyelembe kell venni a működési ciklus valamennyi elemét, így azt az időt is, amikor a szerszám ki van kapcsolva, és amikor üresjáratban működik. Ez a teljes munkaidőszak viszonylatában jelentősen csökkentheti az expozíciós szintet.

A rezgéskockázatnak való kitettséget az alábbiakkal csökkentheti:


MINDIG éles vésőt, pengét, és hegyes fúrófejet használjon.

Az eszközt jelen utasításoknak megfelelően tartsa karban, és vigyázzon a megfelelő kenésre (ahol erre szükség van).

Ha rendszeresen használja az eszközt, vásároljon rezgéscsillapító tartozékokat.

Úgy tervezze meg a munkáját, hogy a magas rezgésszámú eszközök használatát igénylő feladatokat több napra ossza el.

KÖRNYEZETVÉDELEM

 A leselejtezett elektromos készülékek nem dobhatók ki a háztartási hulladékkal. Ha van a közelben elektromos hulladék gyűjtő udvar, vigye oda a készüléket. Az újrahasznosítási lehetőségekről tájékozódjon a helyi hatóságoknál vagy a kereskedőnél.

MEGFELELŐSÉGI NYILATKOZAT

A gyártó,
Positec Germany GmbH
Postfach 680194, 50704 Cologne, Germany

A Positec nevében kijelenti, hogy a termék
Leírás **Akkumulátoros fűnyíró**
Típus **KC720 KC720.X (720 – a berendezés
megnevezése, megerősített acél kэшházás önjáró
fűnyíró)**
Rendeltetés **Fűnyírás**

Megfelel a következő irányelveknek,
**2006/42/EC, 2014/30/EU, 2011/65/EU & (EU)
2015/863, 2000/14/EC módosítva 2005/88/EC**

2000/14/EC módosítva 2005/88/EC:
- Megfelelőség-ellenőrző eljárás a **VI függelék
értelmében**
- Mért hangerő-szint **95.84 dB (A)**
- Garantált hangerő-szint **96 dB (A)**

Tanúsítási szervezet
Név: TÜV Rheinland LGA Products GmbH
(tanúsítási szervezet 0197)
Cím: Tillystraße 2-90431 Nürnberg

Az alábbi normáknak:
**EN 62841-1, EN IEC 62841-4-3, EN ISO 3744, EN
IEC 55014-1, EN IEC 55014-2, EN IEC 63000**

A műszaki dokumentáció összeállítására jogosult
személy:

Név : **Marcel Filz**
Cím : **Positec Germany GmbH**
Postfach **680194, 50704 Cologne, Germany**



2024/02/05
Allen Ding
Helyettes főmérnöke, Tesztelés és minősítés
Positec Technology (China) Co., Ltd
18, Dongwang Road, Suzhou Industrial
Park, Jiangsu 215123, P. R. China

HU

CUPRINS

Introducere.....	154
Listă de componente.....	156
Securitatea produsului.....	157
Asamblare și operare.....	161
Transportul.....	166
Întreținere.....	166
Curățarea.....	167
Depozitare.....	168
Detectarea defecțiunilor.....	169
Date tehnice.....	170
RO Protecția mediului înconjurător.....	171
Declarație de conformitate.....	172

INTRODUCERE

Stimate Client,

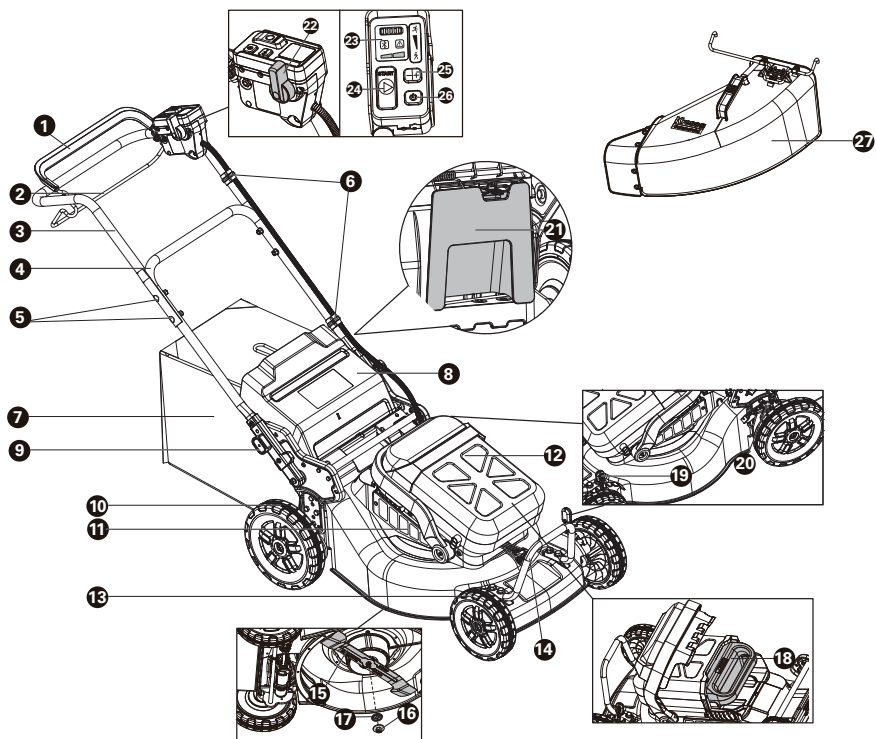
Vă mulțumim pentru achiziționarea acestui produs comercial Kress. Suntem dedicați dezvoltării de produse de înaltă calitate pentru a satisface cerințele dvs. cu privire la amenajarea spațiului comercial.

Marca Kress este sinonimă cu serviciile de calitate premium. Pe durata anilor de funcționare a produselor dvs., dacă aveți întrebări sau nelămuriri cu privire la produsul dvs., vă rugăm să contactați distribuitorul sau echipa noastră de asistență pentru clienți.

Suntem încrezători că vă veți bucura de folosirea produsului Kress pentru mulți ani de acum înainte.

UTILIZARE CONFORM DESTINAȚIEI

Acest produs este destinat pentru cositul comercial al peluzelor.



LISTA DE COMPONENTE

- | | |
|-----|---|
| 1. | BARA DE FUNCȚIONARE (ACȚIONARE A LAMEI) |
| 2. | BARA DE ACȚIONARE A AUTOPROPULSĂRII |
| 3. | MÂNER SUPERIOR |
| 4. | MÂNER INFERIOR |
| 5. | ȘURUBURI DE STRÂNGERE A MÂNERULUI |
| 6. | CLEMĂ CABLU |
| 7. | SAC COLECTARE IARBĂ |
| 8. | CLAPETĂ DE SIGURANȚĂ |
| 9. | BUTON DE AJUSTARE A ÎNĂLȚIMII |
| 10. | ROATĂ SPATE |
| 11. | FILTRU DE AER |
| 12. | CAPACUL COMPARTIMENTULUI DE ACUMULATOR |
| 13. | ROATĂ FAȚĂ |
| 14. | PROTECȚIE MOTOR |
| 15. | LAMĂ |
| 16. | BOLȚ LAMĂ |
| 17. | DISTANȚIER |
| 18. | ACUMULATOR* |
| 19. | PÂRGHIE FRONTALĂ DE REGLARE A ÎNĂLȚIMII DE TĂIERE |
| 20. | PÂRGHIE SPATE DE REGLARE A ÎNĂLȚIMII DE TĂIERE |
| 21. | SERTAR PENTRU RESTURI VEGETALE |
| 22. | BUTON DE CONTROL VITEZĂ DE AUTOPROPULSARE |
| 23. | INDICATORI CU LED |
| 24. | BUTON DE PORNIRE A LAMEI DE TĂIERE |
| 25. | CONTROL VITEZĂ DE TĂIERE |
| 26. | COMUTATOR DE PORNIRE/OPRIRE |
| 27. | JGHEAB DE DESCĂRCARE LATERALĂ* |

* Nu toate accesoriile ilustrate sau descrise sunt incluse în livrarea standard.ery.

INSTRUCȚIUNI ORIGINALE SECURITATEA PRODUSULUI AVERTISMENTE GENERALE DE SIGURANȚĂ PENTRU UNELTE ELECTRICE

⚠ ATENȚIONARE: Citiți toate atenționările de siguranță și parcurgeți toate instrucțiunile, ilustrațiile și specificațiile atașate acestei scule electrice. Nerespectarea tuturor instrucțiunilor enumerate mai jos poate duce la electrocutare, incendii și/sau leziune corporală gravă.

Păstrați toate avertismentele și instrucțiunile pentru consultări ulterioare.

Termenul „unealtă electrică” din avertismente se referă la o unealtă electrică alimentată de la rețeaua de energie electrică (prin cablu) sau la o unealtă electrică alimentată de la un acumulator (fără cablu).

1) Siguranța zonei de lucru

- a) **Mențineți zona de lucru curată și bine iluminată.** Zonele de lucru în dezordine și întunecoase favorizează accidentele.
- b) **Nu utilizați uneltele electrice în atmosfere explozive, de exemplu în prezența unor lichide, gaze sau pulberi inflamabile.** Uneltele electrice provoacă scânteii ce pot aprinde pulberea sau vaporii.
- c) **Asigurați-vă că nu sunți în apropiere persoane și copii în timpul funcționării unei unelte electrice.** Distragerea atenției poate duce la pierderea controlului uneltei.

2) Siguranța electrică

- a) **Fișele uneltei electrice trebuie să se potrivească perfect în priza de alimentare.** Nu modificați niciodată ștecherul. Nu folosiți niciun adaptor pentru uneltele electrice cu împământare. Utilizarea ștecherelor nemodificate în prize corespunzătoare va reduce riscul electrocutării.
 - b) **Evitați contactul fizic cu suprafețe cu legătură la pământ, cum ar fi țevi, radiatoare, mașini de gătit sau frigider.** Riscul electrocutării este mai mare în cazul în care corpul dumneavoastră vine în contact cu suprafața împământată.
 - c) **Nu folosiți aparatul în condiții de ploaie sau de umezeală.** Acest lucru poate crește riscul de electrocutare.
 - d) **Nu deteriorați cablul de alimentare.** Nu folosiți niciodată cablul pentru transportarea, tragerea sau scoaterea din priză a uneltei electrice. Păstrați cablul de alimentare la distanță de căldură, ulei, margini ascuțite sau părți mobile. Cablurile deteriorate sau încurcate măresc riscul electrocutării.
 - e) **Când utilizați unealta electrică în exterior,**
- utilizați un prelungitor potrivit pentru utilizarea în exterior. Utilizarea unui cablu potrivit pentru uzul în exterior reduce riscul electrocutării.
 - f) **Dacă utilizarea uneltei electrice într-un loc umez nu poate fi evitată, folosiți o alimentare protejată cu dispozitiv de curent rezidual (RCD).** Folosirea unui dispozitiv RCD reduce riscul electrocutării.
- 3) **Siguranța personală**
 - a) **Fiți concentrat, urmăriți ceea ce faceți și dați dovadă de simț practic când folosiți o unealtă electrică.** Nu folosiți o unealtă electrică dacă sunteți obosit sau sub influența drogurilor, a alcoolului sau a medicamentelor. O clipă de neatenție în timpul funcționării uneltei electrice poate duce la accidente personale grave.
 - b) **Folosiți echipament personal de protecție. Purtați întotdeauna ochelari de protecție.** Echipamentele de protecție precum masca de protecție contra prafului, încălțămintea cu talpă antiderapantă, casca sau protecția pentru urechi vor reduce riscul accidentărilor, utilizate în mod corespunzător.
 - c) **Preveniți punerea accidentală în funcțiune.** Asigurați-vă că întrerupătorul se află în poziția de oprire înainte de a face conectarea la sursa de alimentare și/sau la acumulator, înainte de a ridica sau a transporta unealta. Transportarea uneltelor electrice ținând degetul pe întrerupător sau alimentarea acestora cu întrerupătorul pornit poate duce la accidente.
 - d) **Scoateți orice cheie de reglare sau cheie de piulițe înainte de a porni unealta electrică.** O cheie de piulițe sau o altă cheie rămasă prinsă de o componentă rotativă a uneltei poate duce la rănirea personală.
 - e) **Păstrați un echilibru corect. Mențineți-vă permanent echilibrul și sprijiniți-vă ferm pe picioare.** Acest lucru permite un control mai bun al uneltei electrice în situații neprevăzute.
 - f) **Îmbrăcați-vă corespunzător. Nu purtați îmbrăcăminte prea largă sau bijuterii. Țineți la distanță părul și hainele dvs. de piesele în mișcare ale uneltei electrice.** Hainele prea largi, bijuteriile și părul lung se pot prinde în piesele mobile.
 - g) **Dacă sunt furnizate accesorii pentru conectarea unor dispozitive de aspirare și colectare a prafului, asigurați-vă că acestea sunt montate și folosite corect.** Folosirea colectorului de praf poate reduce riscul accidentărilor din cauza prafului.
 - h) **Nu lăsați ca odată cu familiarizarea dvs. cu utilizarea uneltei să deveniți indolenți și să uitați respectarea principiilor de siguranță ale uneltei electrice.** Orice acțiune nesăbuită poate duce la leziuni corporale grave într-o fracțiune de secundă.
 - 4) **Utilizarea și întreținerea uneltelor electrice**

- a) **Nu forțați unealta electrică. Folosiți unalta electrică potrivită pentru aplicație.** *Cu o unaltă electrică potrivită veți lucra mai bine și mai în siguranță, la viteza pentru care a fost concepută.*
- b) **Nu utilizați unalta electrică dacă nu o puteți porni sau opri de la întrerupător.** *Orice unaltă electrică ce nu poate fi acționată de la întrerupător este periculoasă și trebuie reparată.*
- c) **Deconectați ștecherul de la sursa de alimentare electrică și/sau scoateți acumulatorul detașabil din unalta electrică înainte de orice reglaj, schimbare de accesorii sau de stocare a uneltei.** *Astfel de măsuri de siguranță reduc riscul pornirii accidentale a uneltei electrice.*
- d) **Nu lăsați uneltele electrice la îndemâna copiilor și nu permiteți persoanelor ce nu știu să le manevreze și nu cunosc instrucțiunile să acționeze aceste unelte.** *Uneltele electrice sunt periculoase în mâinile utilizatorilor neinstruiți.*
- e) **Întreținerea uneltei electrice și ale accesoriilor aferente. Verificați posibila aliniere incorectă sau posibila blocare a componentelor mobile, deteriorarea componentelor sau orice alte situații care pot afecta funcționarea uneltei electrice.** *Dacă unalta electrică este deteriorată, reparați-o înainte de utilizare. Multe accidente sunt provocate din cauza întreținerii incorecte a uneltelor.*
- f) **Uneltele de tăiere trebuie menținute ascuțite și curate.** *Riscul blocării uneltelor de tăiere cu margini ascuțite întreținute corect este mai mic și acestea sunt mai ușor de controlat.*
- g) **Utilizați unalta electrică, accesoriile, piesele etc. conform acestor instrucțiuni, luând în considerare condițiile de lucru și operația de efectuat.** *Folosirea uneltei electrice pentru operații diferite de cele pentru care a fost concepută poate duce la accidente.*
- h) **Păstrați uscate, curate și fără urme de ulei sau grăsime mânerul și suprafețele de apucare ale uneltei.** *Mânerul și suprafețele de apucare alunecoase împiedică manipularea și controlul sigur al uneltei tocmai în cele mai neașteptate situații.*
- 5) **Utilizarea și întreținerea uneltelor cu acumulatori**
- a) **Efectuați reîncărcarea numai cu încărcătorul specificat de producător.** *Un încărcător adecvat pentru un anumit tip de acumulator poate prezenta risc de incendiu dacă este utilizat cu alt tip de acumulator.*
- b) **Folosiți mașinile electrice numai cu acumulatorii special destinați acestora.** *Utilizarea oricărui altor acumulatori poate prezenta risc de rănire și de incendiu.*
- c) **Când nu folosiți acumulatorul, țineți-l la distanță de obiecte metalice precum agrafe de birou, monede, chei, cuie, șuruburi sau alte obiecte metalice mici, ce pot constitui o legătură între cele două borne.** *Un scurtcircuit al bornelor acumulatorului poate duce la arsuri sau incendiu.*
- d) **În condiții necorespunzătoare de utilizare, se poate prelinge lichid din acumulator; evitați contactul.** *În caz de producere accidentală a contactului, clătiți bine cu apă.* *Dacă v-a intrat lichid în ochi, consultați imediat medicul. Lichidul expulzat din acumulator poate cauza iritații sau arsuri.*
- e) **Nu utilizați acumulatorul sau scula dacă acestea sunt deteriorate sau modificate.** *Acumulatorii deteriorați sau modificate se pot comporta într-un mod imprevizibil, crescând riscul unui incendiu, unei explozii sau leziunilor corporale.*
- f) **Evitați expunerea la foc și la temperaturi excesive a acumulatorului sau a sculei.** *Expunerea la foc sau la temperaturi care depășesc 130°C poate duce la explozie.*
- g) **Respectați toate instrucțiunile de reîncărcare și nu încălcați acumulatorul sau scula decât în plaja de temperaturi specificată în instrucțiuni.** *Reîncărcarea necorespunzătoare sau la temperaturi din afara plajei de temperaturi specificate poate duce la deteriorarea acumulatorului și la creșterea riscului de incendiu.*
- 6) **Service**
- a) **Service-ul uneltei electrice trebuie efectuat de persoane calificate, folosind doar piese de schimb originale.** *Acest lucru va asigura folosirea în continuare a uneltei electrice în siguranță.*
- b) **Nu reparați niciodată acumulatorii deteriorați.** *Service-ul acumulatorilor trebuie efectuat numai de către fabricant sau de centre de service autorizate.*

AVERTISMENTE DE SIGURANȚĂ PENTRU MAȘINA DE TUNS IARBA

- a) **Nu utilizați mașina de tuns iarba în condiții meteorologice nefavorabile, în special atunci când există riscul de fulgere.** *Acest lucru scade riscul de a fi lovit de fulger.*
- b) **Inspectați atent zona în care veți folosi mașina pentru a descoperi prezența animalelor sălbatice.** *Animalele sălbatice pot fi vătămate în timpul folosirii mașinii.*
- c) **Inspectați atent zona în care va fi utilizată mașina și îndepărtați toate pietrele, bețele, cablurile, oasele și alte obiecte străine.** *Obiectele aruncate de mașină pot cauza vătămări corporale.*
- d) **Înainte de a utiliza mașina, întotdeauna verificați vizual pentru a constata că lama și ansamblul lamei nu sunt uzate sau deteriorate.** *Piesele uzate sau deteriorate cresc*

riscul de vătămare.

- e) **Verificați frecvent colectorul de iarbă pentru a vedea dacă este uzat sau deteriorat.** Un colector de iarbă uzat sau deteriorat crește riscul de vătămare.
- f) **Păstrați protecțiile pe poziție. Protecțiile trebuie să fie în stare de funcționare și montate corect.** O protecție slăbită, deteriorată sau care nu funcționează corect poate duce la vătămare corporală.
- g) **Mențineți toate gurile de admisie a aerului curate, fără resturi.** Gurile de aer blocate și resturile pot conduce la supraîncălzire și la pericol de foc.
- h) **În timpul utilizării mașinii de tuns iarba, purtați întotdeauna încălțăminte de protecție antiderapantă. Nu operați mașina când sunteți desculț sau purtați sandale decupate.** Acest fapt reduce posibilitatea vătămării picioarelor prin contactul cu lama aflată în mișcare.
- i) **În timpul utilizării mașinii, purtați întotdeauna pantaloni lungi.** Expunerea unor porțiuni de piele crește riscul vătămării corporale datorită obiectelor aruncate de mașină.
- j) **Nu folosiți mașina de tuns iarba când gazonul este umed. Mergeți, nu alergați niciodată.** Astfel se reduce riscul de alunecare și cădere, care ar putea conduce la vătămări corporale.
- k) **Nu utilizați mașina pe pante excesiv de înclinate.** Astfel se reduce riscul de pierdere a controlului, alunecare și cădere, care ar putea conduce la vătămări corporale.
- l) **Când lucrați pe pante, întotdeauna să fiți atent la poziția dvs., lucrați transversal pe suprafața pantei, nu lucrați niciodată în sus sau în jos și fiți extrem de atent când schimbați direcția.** Astfel se reduce riscul de pierdere a controlului, alunecare și cădere, care ar putea conduce la vătămări corporale.
- m) **Fiți extrem de atent când întoarceți sau trageți mașina de tuns iarba spre dvs. Întotdeauna observați împrejurimile.** Acest fapt reduce riscul de împiedicare în timpul operării mașinii.
- n) **Nu atingeți lamele sau alte părți mobile periculoase cât timp acestea sunt în mișcare.** Acest lucru reduce riscul de vătămare din cauza pieselor mobile.
- o) **Când scoateți materiile aglomerate sau curățați mașina, asigurați-vă că toate comutatoarele de alimentare sunt oprite și că acumulatorul este deconectat.** Pornirea accidentală a mașinii de tuns iarba poate conduce la vătămări corporale grave.

elementele sau acumulatorul.

- b) **Nu scurtcircuitați un acumulator. Nu depozitați acumulatorii la întâmplare într-o cutie sau într-un sertar unde s-ar putea scurtcircuita între ele sau prin materiale conductoare.** Când bateria nu este în uz, țineți-o la distanță de alte obiecte metalice, cum sunt agrafele pentru hârtie, monede, cuie, șuruburi sau alte obiecte metalice mici, care pot crea contact între bornele acestora. Scurtcircuitarea bornelor bateriei poate cauza arsuri sau incendii.
- c) **Nu expuneți acumulatorul la căldură sau foc. Evitați depozitarea în lumina directă a soarelui.**
- d) **Nu supuneți acumulatorul la șocuri mecanice.**
- e) **În cazul scurgerii acumulatorului, aveți grijă ca lichidul să nu intre în contact cu pielea sau ochii. În cazul contactului, spălați zona afectată cu apă din belșug și solicitați asistență medicală.**
- f) **Mențineți acumulatorul curat și uscat.**
- g) **Ștergeți terminalele acumulatorului cu o cârpă curată și uscată dacă se murdăresc.**
- h) **Acumulatorul trebuie încărcat înainte de utilizare. Consultați întotdeauna aceste instrucțiuni și utilizați procedura de încărcare corectă.**
- i) **Nu încărcați acumulatorul atunci când nu îl utilizați.**
- j) **După perioade extinse de depozitare, ar putea fi necesară încărcarea și descărcarea acumulatorului de mai multe ori pentru a obține performanțe maxime.**
- k) **Reîncărcați folosind doar încărcătorul specificat de Kress. Nu utilizați niciun alt încărcător în afară de cel conceput specific pentru utilizarea cu acest echipament.**
- l) **Nu utilizați acumulatorii care nu sunt concepuți pentru a fi utilizați cu acest echipament.**
- m) **Nu lăsați acumulatorul la îndemâna copiilor.**
- n) **Păstrați documentația originală a produsului pentru consultări ulterioare.**
- o) **Îndepărtați acumulatorul din echipament atunci când nu îl utilizați.**
- p) **Eliminați acumulatorul în mod corespunzător.**
- q) **Nu introduceți în aparat acumulatorii care provin de la producători diferiți sau cu capacități, dimensiuni sau tipuri diferite.**
- r) **Țineți acumulatorul departe de microunde și presiune ridicată.**
- s) **Atenție! Nu utilizați baterii ne-reîncărcabile.**











RO

AVERTISMENTE PRIVIND SIGURANȚA PENTRU ACUMULATOR

- a) Nu demontați, deschideți sau rupeți

CERINȚELE MANUALULUI DE UTILIZARE PENTRU PRODUSE CU ACUMULATOR


- a) Utilizarea acestui dispozitiv este supusă următoarelor două condiții:
 (1) Acest dispozitiv nu poate cauza interferențe dăunătoare, și
 (2) acest dispozitiv trebuie să accepte orice interferențe permise, inclusiv interferențe care pot provoca o funcționare nedorită.
- b) Atenție: Schimbările sau modificările aduse acestei unități, care nu sunt aprobate explicit de partea responsabilă cu conformitatea, pot anula dreptul utilizatorului de a utiliza echipamentul.
- c) NOTĂ: Acest echipament generează, utilizează și poate radia energie de frecvență radio și, dacă nu este instalat și folosit conform instrucțiunilor, poate produce interferențe periculoase pentru comunicațiile radio. Totuși, nu există nicio garanție că nu vor apărea interferențe în anumite instalații. Dacă acest echipament nu produce interferențe periculoase pentru recepția radio-TV, care se pot identifica prin pornirea și oprirea echipamentului, utilizatorul este încurajat să încerce să corecteze interferențele printr-una sau mai multe măsuri de mai jos:
- Reorientați sau reamplasați antena de recepție.
 - Creșteți distanța dintre echipament și receptor.
 - Conectați echipamentul la o priză de pe alt circuit față de cel la care este conectat receptorul.
 - Consultați reprezentanța sau un specialist radio/TV experimentat pentru ajutor.

	Lama continuă să se rotească și după ce motorul a fost oprit. Așteptați până când toate componentele mașinii s-au oprit complet, înainte de a le atinge
	Purtați mănuși de protecție
	Scoateți bateria din locaș înainte de a efectua orice reglaj, reparație sau lucrare de întreținere.
	Bateriile pot intra în circuitul apei, dacă sunt lichidate incorect, fapt ce poate fi periculos pentru ecosistem. Nu lichidați deșeurile de baterii la fel ca deșeurile comunale nesortate.
	Nu ardeți
	Viteză mare
	Viteză mică
	Baterie Li-Ion. Acest produs a fost marcat cu simbolul referitor la 'colectarea separată' a tuturor blocurilor de baterie. Acestea vor fi apoi reciclate sau demontate pentru a se reduce impactul asupra mediului. Blocurile de baterii pot fi periculoase pentru mediu și sănătatea umană pentru că ele conțin substanțe periculoase.
	
	Produsele electrice nu trebuie depuse la deșeurile împreună cu gunoiul menajer. Vă rugăm să depuneți produsele electrice la unitățile de reciclare existente. Consultați-vă cu autoritățile locale sau cu distribuitorul pentru sfaturi privind reciclarea.

SIMBOLURI

	Pentru a reduce riscul de accidentări, utilizatorul trebuie să citească manualul de instrucțiuni.
	ATENȚIONARE
	AVERTISMENT - Fiți atent la obiectele aruncate de mașină - țineți alte persoane la distanță
	AVERTISMENT - Țineți mâinile și picioarele departe de lame
	AVERTISMENT – Scoateți bateria înainte de mentenanță

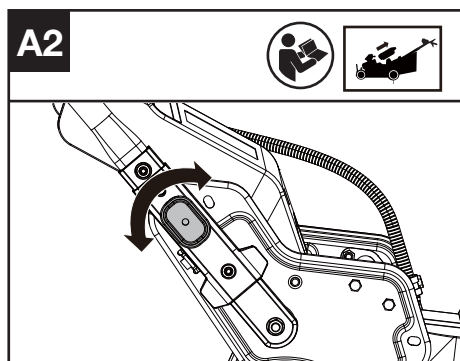
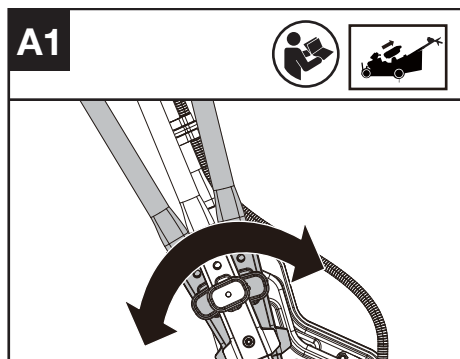
ASAMBLARE ȘI OPERARE

 **OBSERVAȚIE:** Înainte de a utiliza mașina, citiți cu atenție manualul de instrucțiuni.

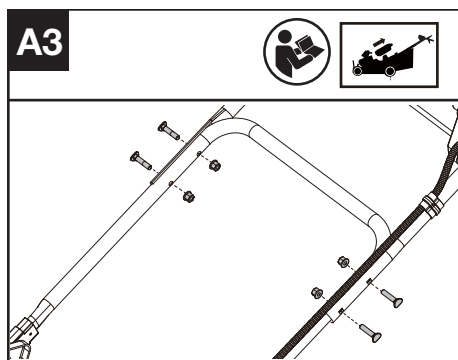
 **ÎNAINTE DE PUNEREA ÎNFUNȚIUNE:**

reglați înălțimea mânerului și asamblați mânerele inferioare. (A se vedea Fig. A1, A2)

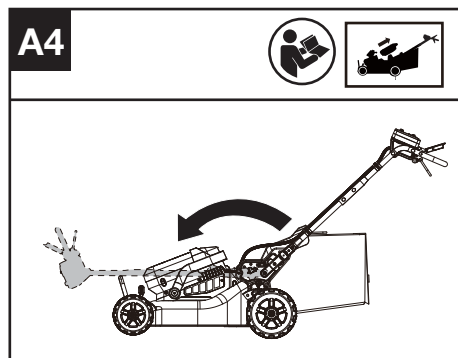
Se pot selecta 3 niveluri de înălțime. Selectați înălțimea adecvată și rotiți butonul de ajustare a înălțimii.



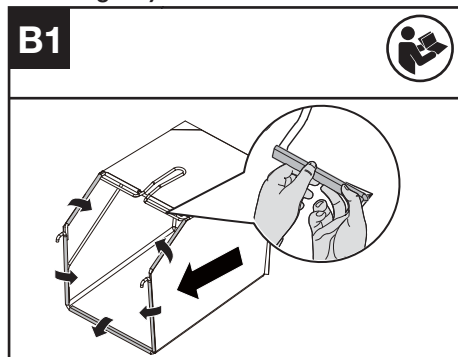
Asamblarea mânerului superior. (A se vedea Fig. A3)



OBSERVAȚIE: mânerul poate fi pliat în sus pentru transport sau depozitare. (A se vedea Fig. A4)



Montarea sacului de colectare a ierbii (a se vedea Fig. B1)

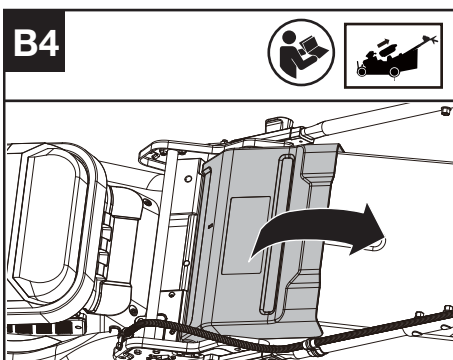
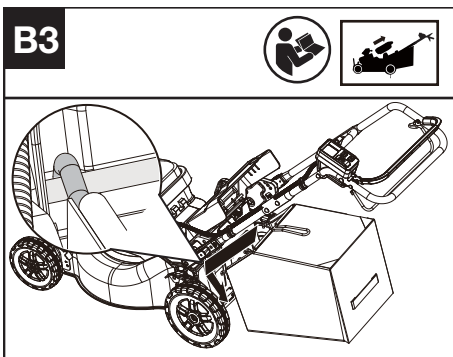
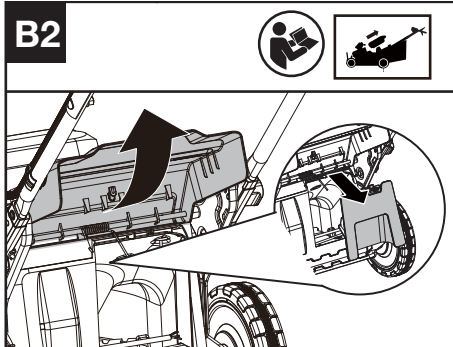


Montarea sacului de colectare a ierbii la mașina de tuns iarba (A se vedea Fig. B2, B3, B4)

OBSERVAȚIE: apăsați ușor sacul de colectare a ierbii pentru a vă asigura că acesta este complet

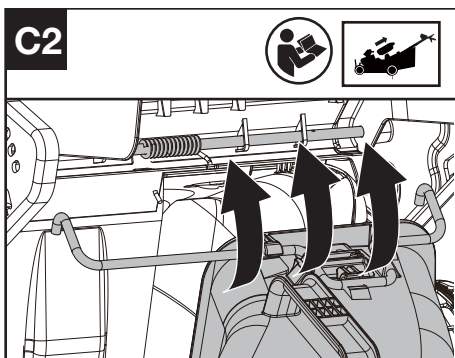
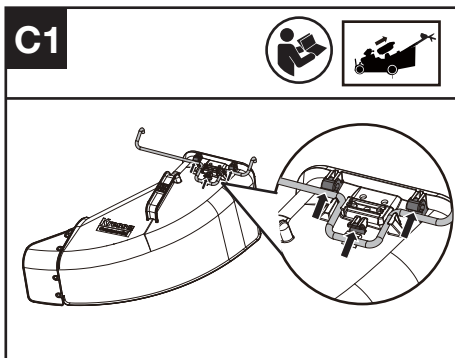
montat.

OBSERVAȚIE: scoateți sertarul pentru resturi vegetale din mașina de tuns gazonul înainte de a monta sacul de colectare a ierbii.



Montarea jgheabului de descărcare laterală la mașina de tuns iarba (A se vedea Fig. C1, C2)

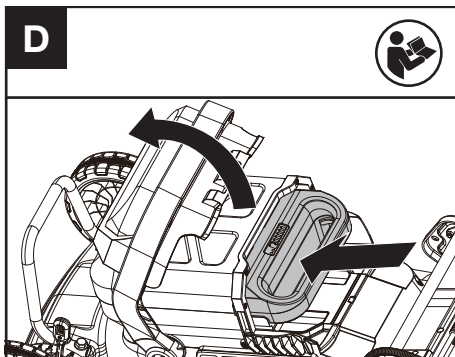
OBSERVAȚIE: Scoateți dopul de mulcire de pe mașina de tuns iarba și îndepărtați sacul colector pentru iarbă, înainte de a monta jgheabul de descărcare laterală.



Verificarea stării de încărcare a bateriilor și încărcarea acumulatorului.

OBSERVAȚIE: bateriile sunt furnizate neîncărcate. Fiecare baterie trebuie să fie complet încărcată înainte de prima tăiere. Puteți găsi mai multe detalii în manualul bateriilor și încărcătorului.

Montarea/scoaterea acumulatorului (A se vedea Fig. D)



Verificarea comenzilor

1. Scoateți acumulatorul.
2. Încercați să apăsați pe butonul pornit/oprit, pe butonul de pornire a lamei de tăiere sau pe butonul de control al vitezei de tăiere. Dacă butonul pornit/oprit, butonul de pornire a lamei de tăiere, sau butonul de control al vitezei de tăiere se înțepenesc și nu revin în poziția inițială, nu mai folosiți mașina de tuns gazonul și contactați centrul de service.
3. Încercați să trageți și să eliberați bara de funcționare sau bara de acționare a autopropulsării. Dacă bara de funcționare sau bara de acționare a autopropulsării se înțepenește și nu revine în poziția inițială, nu mai folosiți mașina de tuns gazonul și contactați centrul de service.
4. Rotiți butonul de control al vitezei de autopropulsare. Dacă butonul de control al vitezei de autopropulsare se înțepenește, nu mai folosiți mașina de tuns gazonul și contactați centrul de service.

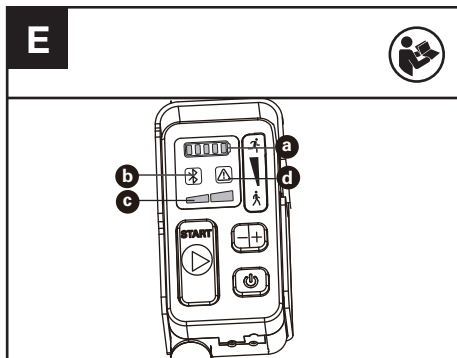
Verificarea afișajului (A se vedea Fig. E)

1. Montați acumulatorul.
2. Mențineți apăsat butonul pornit/oprit, iar indicatorul acumulatorului (a) și indicatorul vitezei de tăiere (c) se vor aprinde.
3. Apăsați pe butonul de pornire a lamei de tăiere și trageți de bara de funcționare pentru a porni mașina de tuns gazonul.
4. În cazul în care indicatorul de avertizare (d) se clipește, căutați soluțiile în secțiunea **Detectarea defecțiunilor**.
5. Eliberați mânerul de funcționare pentru a opri mașina. Lama se oprește din rotație după o scurtă întârziere. Dacă mașina de tuns gazonul nu se poate opri, scoateți bateria și contactați agentul de service.

Indicatorii cu LED

- | | |
|----|----------------------------|
| a. | INDICATOR BATERIE |
| b. | INDICATOR DE BLUETOOTH |
| c. | INDICATOR VITEZĂ DE TĂIERE |
| d. | INDICATOR DE AVERTIZARE |

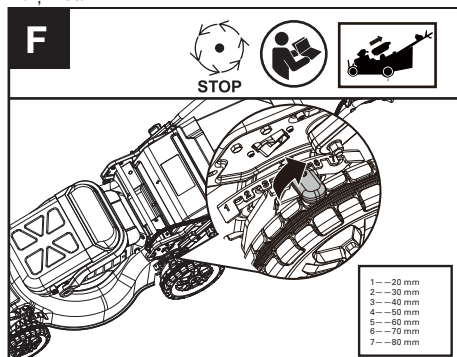
OBSERVAȚIE: Indicatorul de avertizare va clipi în roșu sau galben în cazul unor probleme de funcționare a mașinii. Dacă clipește indicatorul roșu, solicitați asistență la reprezentanță. Dacă clipește indicatorul galben, opriți mașina, scoateți acumulatorul și reinstalați-l, și reporniți mașina. Dacă indicatorul galben continuă să clipească, solicitați asistență la reprezentanță.



Ajustarea înălțimii de tăiere (A se vedea Fig. F)

Ajustați înălțimea de tăiere prin pârghiile de ajustare a înălțimii de tăiere de la roata din față și de la cea din spate.

OBSERVAȚIE: Asigurați-vă că roțile din față și din spate sunt în aceeași poziție atunci când reglați înălțimea.



AVERTISMENT! Opriți, eliberați piedica de funcționare și așteptați până când motorul se oprește înainte de a regla înălțimea. Lamele continuă să se rotească după oprirea mașinii, o lamă în mișcare poate provoca accidentare. Nu atingeți lamele în mișcare.

FUNȚIONAREA

Pornirea/oprirea mașinii de tuns gazonul (A se vedea Fig. G)

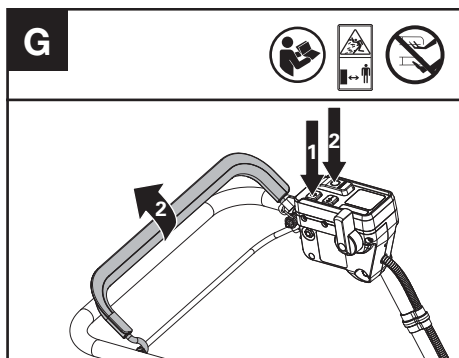
1. Apăsați butonul de pornire/oprire.
2. Apăsați pe butonul de pornire a lamei de tăiere (mențineți apăsat) și trageți de bara de funcționare pentru a porni mașina.
3. Eliberați mânerul de funcționare pentru a opri mașina de tuns gazonul.

AVERTISMENT! Lama continuă să se învârtă după ce mașina de tuns gazonul a fost oprită; așteptați până ce aceasta se oprește complet.

OBSERVAȚIE: pentru pornire, apăsați butonul

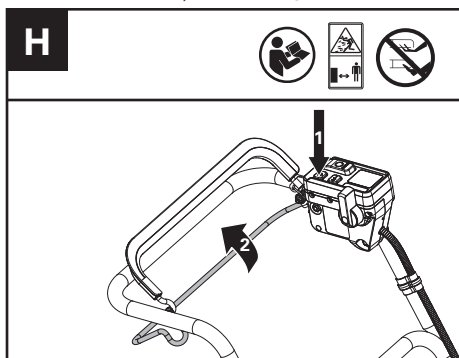
de pornire a lamei de tăiere, și trageți de bara de funcționare în același timp.

OBSERVAȚIE: mențineți apăsat butonul pornit/oprit și se va aprinde afișajul. Afișajul se va stinge automat dacă nu se efectuează nicio operațiune timp de 60 secunde.

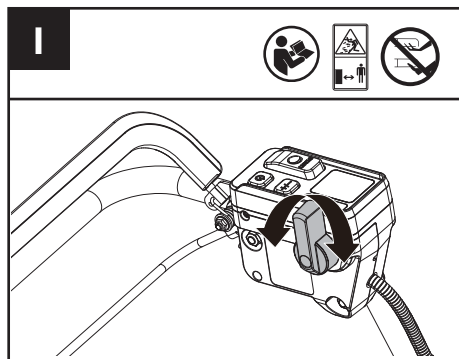


Acționarea sistemului de autopropulsare (A se vedea Fig. H)

1. Apăsați butonul de pornire/oprire
2. Trageți de bara de acționare a autopropulsării pentru a porni sistemul de autopropulsare.
3. Eliberați bara de acționare a autopropulsării pentru a opri mașina de tuns gazonul.

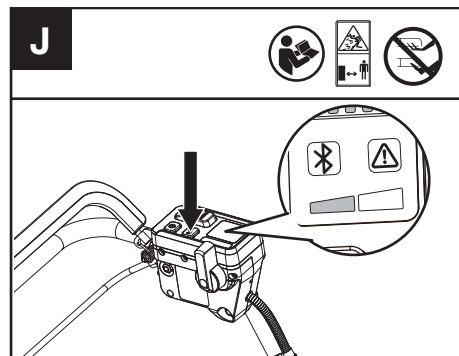


Selectarea vitezei de autopropulsare (A se vedea Fig. I)



Selectarea vitezei de tăiere (A se vedea Fig. J)

Se pot selecta 2 trepte de viteză a tăierii, în funcție de aplicație. Folosiți butonul +/- pentru a controla viteza care este afișată de indicatorii cu LED. Cu cât viteza de tăiere este mai mare, cu atât mai repede funcționează mașina de tuns gazonul.



SFATURI PENTRU ACOPERIREA CU STRAT PROTECTOR

În timp ce acoperiți cu strat protector, mașina de cosit este proiectată să taie iarba tunsă în bucăți mici și să le distribuie înapoi pe gazon. În condiții normale, iarba astfel tăiată este biodegradabilă rapid și furnizează substanțe nutritive gazonului.

Examinați recomandările următoare pentru performanțe optime ale stratului protector.

- 1) Evitați să tăiați iarba când aceasta e udă de la ploaie sau rouă. Iarba udă poate forma smocuri care îngreunează acțiunea de mulcire și reduc perioada de funcționare.
- 2) Pentru performanțe optime ale stratului protector, setați înălțimea de tăiere pentru îndepărtarea unei treimi din lungimea lamei, în mod ideal nu mai mult de 40mm o dată. Dacă iarba este crescută excesiv, poate fi necesară creșterea înălțimii de

tăiere pentru reducerea efortului de împingere și prevenirea supraîncărcării motorului. Pentru acoperirea cu strat protector extrem de greu, se recomandă tăierea inițială la o setare ridicată a înălțimii de tăiere, iar apoi tăierea din nou la înălțimea de tăiere finală. În caz contrar, executați tăieri mai înguste și cosiți încet.

- 3) Pentru o funcționare optimă păstrați carcasa mașinii curată, fără iarbă adunată pe ea. Periodic, opriți mașina de tuns gazonul și așteptați ca lamele să se oprească complet. Apoi scoateți acumulatorul și răsturnați mașina pe o parte. Cu ajutorul unui obiect, de exemplu un băț, scoateți orice acumulare de iarbă din zona lamei. Aveți grijă la muchiile ascuțite ale lamei. Asigurați-vă că ați curățat frecvent lama după ce ați tăiat iarbă umedă sau proaspăt crescută, precum și după fiecare utilizare.
- 4) Anumite tipuri de iarbă sau stări ale ierbii pot necesita un al doilea strat protector pentru împrăștierea completă a ierbii pe gazon. Dacă tăiați a doua oară, se recomandă tăierea perpendiculară (de-a lungul) pe primul model de tăiere. **NU MODIFICAȚI ÎN NICIUN FEL MODELUL DE TĂIERE CARE AR DETERMINA COSIREA ÎN JOS PE O PANTĂ.**
- 5) Modificați-vă modelul de tăiere săptămânal. Aceasta previne granulara și pierderea luciului gazonului.
- 6) Nu tăiați iarba pe o pantă cu un unghi mai mare de 18°.

MĂRIMEA SUPRAFEȚEI TUNSE

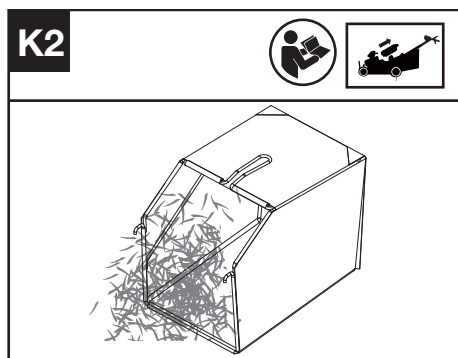
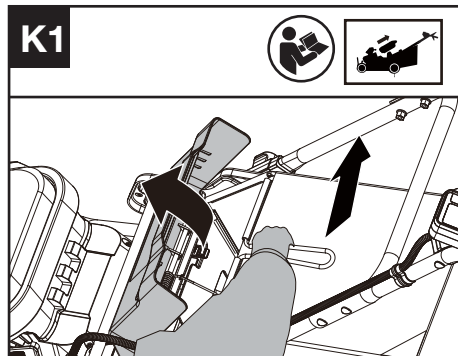
Mărimea suprafeței tunse poate fi influențată de câțiva factori, cum sunt înălțimea de tundere, umiditatea gazonului, lungimea tulpinilor ierbii și densitatea ierbii. Pornirea și oprirea prea frecventă a mașinii de tuns gazon în cursul operației de tundere a gazonului cauzează în plus micșorarea suprafeței tunse.

SFATURI:

- 1) Vă recomandăm să efectuați tunderea gazonului la intervale scurte, pentru a putea umbla în timpul normal și a nu porni/opri prea frecvent mașina de tuns gazon în cursul lucrului.
- 2) Pentru o funcționare optimă, asigurați-vă că acumulatorul este complet încărcat și tăiați întotdeauna 1/3 sau mai puțin din înălțimea ierbii. Se recomandă montarea unei lame noi înainte de începerea sezonului de tăiere.
- 3) În cazul cosirii ierbii înalte, umblați încet, pentru a se asigura o cosire mai eficientă și evacuarea reglementară a ierbii cosite.
- 4) Evitați cosirea ierbii umede, deoarece aceasta s-ar lipi pe partea inferioară a mecanismului de tăiere iar iarba cosită nu ar putea fi captată corect și evacuată.
- 5) În cazul unui gazon nou sau des, alegeți o înălțime de tundere mai mare, prelungind astfel durata de utilizare a bateriei.

Scoaterea/golirea sacului de colectare (A se vedea Fig. K1, K2)

⚠ AVERTISMENT! Întotdeauna verificați ca clapeta de siguranță să închidă orificiul de descărcare, înainte de a utiliza mașina de tuns gazonul. Nu ridicați niciodată clapeta de siguranță și nici nu scoateți sertarul de resturi vegetale când mașina funcționează fără a avea montat sacul de colectare a ierbii.



CONSIDERAȚII PRIVIND UNELTELE ALIMENTATE CU ACUMULATOR

Intervalul de temperatură ambiantă recomandat pentru descărcare este -20 °C~45 °C (-4 °F~113 °F). Plaja de temperatură ambiantă recomandată pentru reincărcare este cuprinsă între -5 °C~45 °C (23 °F~113 °F).

Detalii referitoare la eliminarea în siguranță a bateriilor uzate:

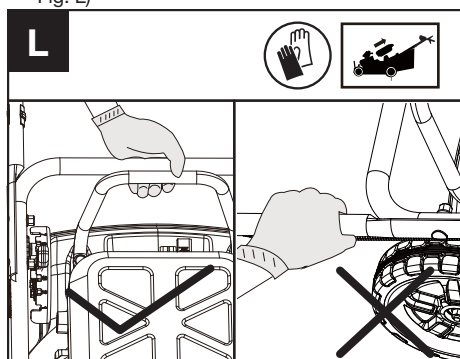
La sfârșitul vieții aparatului, îndepărtați în siguranță acumulatorul înainte de a elimina aparatul. Nu aruncați bateriile la gunoi și nu le aruncați în coșul de gunoi obișnuit. De asemenea, nu aruncați bateria împreună cu aparatul. Scoateți acumulatorul uzat din aparat și eliminați-l la cel mai apropiat centru de reciclare dedicat sau convenabil. În caz de îndoială, consultați departamentul local de protecție a mediului. Bateriile pot ajunge în cursurile de apă

dacă sunt eliminate în mod necorespunzător, ceea ce poate fi periculos pentru ecosistem. Nu aruncați bateriile uzate ca deșeuri menajere nesortate.

TRANSPORTUL

Transportul mașinii de tuns gazonul

1. Opriiți mașina de tuns gazonul și scoateți acumulatorul.
2. Când transportați mașina de tuns gazonul, o puteți deplasa fără a acționa lama de tăiere.
3. Pentru a ridica mașina de tuns gazonul, se recomandă ca aceasta să fie susținută de două persoane pe fiecare parte, folosind protecția pentru motor și zonele de îmbinare ale mânerului inferior ca mânere de manevrare. Atunci când ridicați mașina pliată, apăcați de protecția motorului, nu de mânere. (A se vedea Fig. L)



Transportul bateriei

1. Asigurați-vă că bateria se află într-o stare bună.
2. Folosiți un ambalaj izolator de curent atunci când transportați bateria.
3. Bateriile Li-Ion închise fac obiectul cerințelor legislației privind mărfurile periculoase. Transportați bateriile numai atunci când carcasa lor nu este deteriorată. Ambalați bateriile astfel încât acestea să nu se poată mișca în ambalaj.

ÎNTREȚINEREA

⚠ AVERTISMENT! Opriiți mașina de tuns gazonul, scoateți acumulatorul înainte de a scoate sacul de colectare a ierbii.

NOTA: Pentru asigurarea unei durate de funcționare prelungite și fiabile, efectuați următoarele proceduri de întreținere în mod regulat. Verificați existența unor defecte evidente, cum ar fi o lamă slăbită, deplasată sau deteriorată, garnituri slăbite, sau componente defecte sau uzate. Verificați ca dispozitivele de protecție și capacele să nu fie deteriorate și să fie atașate corect pe mașina de tuns iarba. Efectuați lucrările de întreținere și reparațiile necesare înainte de acționarea mașinii de tuns iarba. Dacă mașina de

tuns iarba se defectează în ciuda întreținerii normale, contactați linia de asistență pentru clienți.

ASCUȚIREA LAMEI

MENȚINEȚI LAMA ASCUȚITĂ PENTRU REZULTATE OPTIME DE TĂIERE. O LAMĂ TOCITĂ NU TAIE IARBA UNIFORM ȘI NICI NU MULCEȘTE GAZONUL CORESPUNZĂTOR.

PURTAȚI OCHELARI ȘI MĂNUȘI DE PROTECȚIE CÂND SCOATEȚI, ASCUȚIȚI ȘI MONTAȚI LAMA.

OBSERVAȚIE: ascuțiți sau înlocuiți lama după 50 ore funcționare. Nisipul determină tocirea rapidă a lamei. Dacă gazonul dvs. este pe un teren nisipos, va fi necesar să ascuțiți sau să înlocuiți lama mai des.

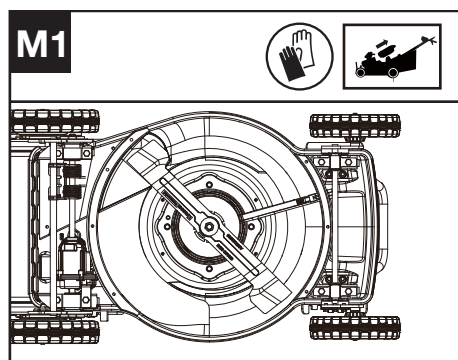
SCHIMBAȚI LAMA ÎNDOITĂ SAU DETERIORATĂ IMEDIAT.

CÂND ASCUȚIȚI LAMA

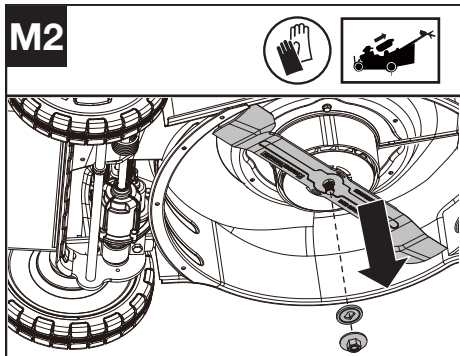
1. Folosiți un lemn pentru a preveni rotirea lamei.
2. Cu ajutorul cheii tubulare și a celei hexagonale, scoateți bolțul lamei și apoi lama. (A se vedea secțiunea despre scoaterea lamei)
3. Prindeți lama într-o menghină, sau într-un dispozitiv similar, pentru a împiedica mișcarea acesteia în timpul ascuțirii.
4. Ascuțiți muchiile de la ambele capete ale lamei. Asigurați-vă că ați îndepărtat aceeași cantitate de material de la ambele capete pentru a menține echilibrul lamei.
5. Verificați echilibrul lamei. (A se vedea secțiunea despre echilibrarea lamei)
6. Remontați lama în ordinea inversă a demontării.
7. Asigurați-vă că ați strâns bolțul lamei cu momentul de strângere adecvat (25 Nm).

OBSERVAȚIE:

1. Asigurați-vă că mașina de tuns gazonul este oprită și scoateți acumulatorul.
2. Răsturnați mașina de tuns gazonul pe o parte, așa cum este arătat în fig. M1

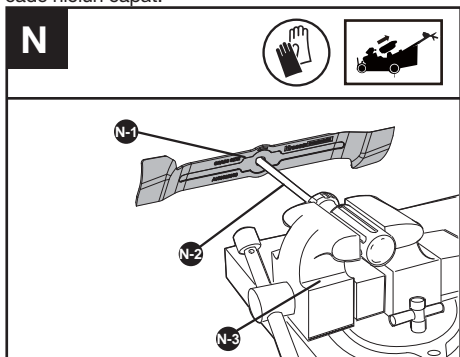


SCOATEREA LAMEI (A SE VEDEA FIG. M2)



ECHILIBRAREA LAMEI (CONSULTAȚI FIG. N)

Verificați echilibrul lamei prin amplasarea orificiului central al lamei N-1 în mânerul unui cui unei șurubelnițe N-2, fixată orizontal într-o menghină N-3. Dacă oricare capăt al lamei se rotește în jos, piliți acel capăt. Lama este echilibrată corect atunci când nu cade niciun capăt.



ÎNLOCUIREA LAMEI

-se sugerează să înlocuiți diferite lame de tăiat gazonul în funcție de condițiile diferite de lucru, pentru a avea o experiență de utilizare mai bună.

LAMĂ	FUNCȚIE
Lamă cu ridicare înaltă	Recomandată pentru colectare în sac
Lamă dințată	Recomandată la mulcire

CURĂȚAREA

- Opriiți mașina de tuns gazonul și scoateți acumulatorul.
- Nu utilizați detergenți sau solvenți agresivi. Curățați mașina după utilizare cu o cârpă umedă

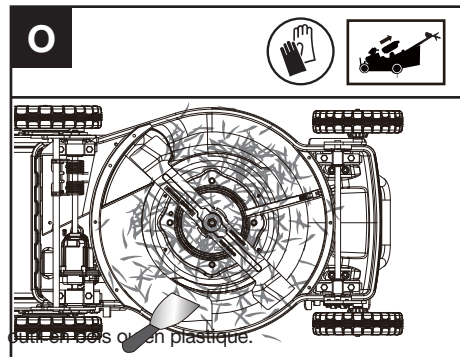
înmuiață în detergent neutru.

- Păstrați ștecărul fără materii străine și curățați-l cu o perie sau o cârpă moale și uscată.
- Nu pulverizați apă pe motor și pe componentele electrice.
- Nu utilizați mașina de spălat cu presiune pentru a vă curăța mașina.

Curățarea punții și a zonei lamei. (A se vedea Fig. O)

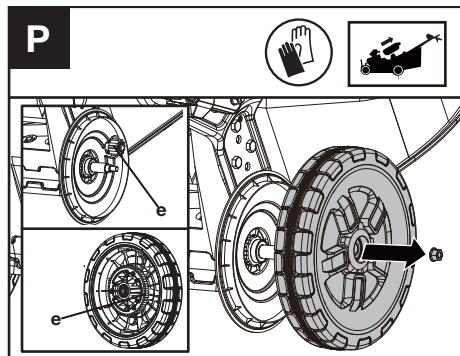
Curățarea aglomerărilor de iarbă și a resturilor de pe punții și din zona lamei.

Dacă în aceste zone există iarbă compactată, îndepărtați-o cu un obiect de lemn sau plastic.



Curățarea roților. (A se vedea Fig. P)

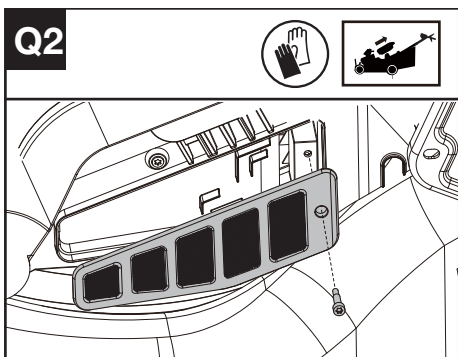
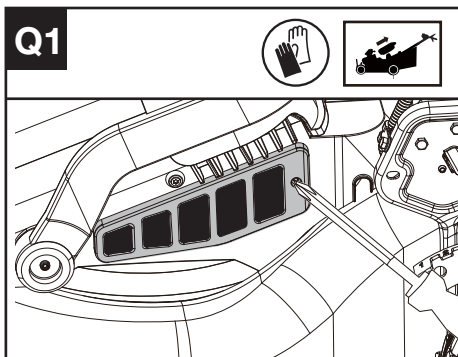
- Opriiți mașina de tuns gazonul și scoateți acumulatorul.
- Curățarea roților la fiecare 50 ore de funcționare sau mai frecvent în condiții extreme.
- Scoateți roțile din spate și curățați aglomerările de iarbă și resturi din zona angrenajului roților.
- Se sugerează aplicarea unei mici cantități de unsoare pe angrenajele roților (e) după curățare



Curățarea filtrului de aer (a se vedea Fig. Q1, Q2)

- Curățați zona din jurul filtrului de aer. Utilizați o cârpă umedă sau o perie moale.

2. Deșurbați și scoateți filtrul de aer.
3. Spălați filtrul de aer sub jet de apă pentru a îndepărta murdăria.
4. Lăsați filtrul de aer să se usuce la aer. Instalați-l la loc în carcasă strângând șurubul.



DEPOZITAREA

1. Opritiți mașina de tuns gazonul și scoateți acumulatorul.
2. Curățați temeinic exteriorul mașinii folosind o perie moale și o lavetă. Nu folosiți apă, solvenți sau substanțe abrazive. Îndepărtați toată iarba și resturile, în special din fantele de ventilație, de pe placa de mulcire, zona lamei și de pe roți.
3. Depozitați mașina de tuns gazonul într-un loc uscat, care să nu fie la îndemâna copiilor și a altor persoane neautorizate. Nu așezați alte obiecte deasupra mașinii.
4. Pentru a ușura depozitarea, a plia mânerul-bară.
5. Depozitați bateria numai într-un interval de temperatură cuprins între 5 °C (41 °F) și 25 °C (77 °F). De exemplu, în timpul verii nu lăsați bateria în mașină.
6. Odată udate în ploaie în timpul funcționării, mașina și bateria trebuie să fie uscate înainte de a fi depozitate sau încărcate. Scoateți bateria și reintroduceți-o dacă mașina nu reușește să pornească.

DETECTAREA DEFECȚIUNILOR

Tablel următor înfățișează problemele și acțiunile pe care le puteți întreprinde dacă mașina dvs. nu funcționează corect.




AVERTISMENT: opriți mașina de tuns gazonul și scoateți acumulatorul înainte de orice depanare.

SIMPTOME	REMEDIERE
1. Mașina de tuns gazonul nu funcționează când este activată pedica de funcționare.	A. Verificați și asigurați-vă că butonul de pornire a lamei de tăiere este apăsat complet. B. Eliberați bara de funcționare pentru a opri mașina de tuns gazonul. Scoateți acumulatorul, răsturnați mașina pe o parte și verificați dacă lama se rotește liber. Dacă nu se rotește liber, adresați-vă unui service autorizat. Lama trebuie să se rotească liber. C. Acumulatorul a fost complet încărcat? Introduceți încărcătorul în priză și așteptați să se aprindă lumina verde. D. Pentru pornire, apăsați butonul de pornire a lamei de tăiere, și trageți de bara de funcționare în același timp.
2. Motorul se oprește în timpul operațiunii de tuns iarba.	A. Eliberați bara de funcționare pentru a opri mașina de tuns gazonul. Scoateți acumulatorul, răsturnați mașina pe o parte pentru a verifica dacă este blocată de resturi vegetale, îndepărtați resturile vegetale din zona de rotire a lamei. Apoi verificați dacă lama se rotește liber. Dacă nu se rotește liber, adresați-vă unui service autorizat. Lama trebuie să se rotească liber. B. Ridicați roțile până la cea mai înaltă poziție de tăiere și porniți mașina. C. Acumulatorul a fost încărcat complet? Conectați încărcătorul și așteptați aprinderea LED-ului verde. D. Evitați suprasolicitarea mașinii. Reduceți capacitatea de tăiere a ierbii prin împingerea mai înceată a mașinii sau măriți înălțimea de tăiere. Sau efectuați ambele corecții.
3. Mașina de tuns iarba funcționează, dar performanța de tundere este nesatisfăcătoare sau nu poate tunde toată iarba.	A. Acumulatorul a fost încărcat complet? Conectați încărcătorul și așteptați aprinderea LED-ului verde. B. Eliberați bara de funcționare pentru a opri mașina de tuns gazonul. Scoateți acumulatorul. Răsturnați mașina de tuns gazonul pe o parte și verificați: dacă lama este ascuțită - mențineți lama ascuțită. Scutul de jos și jgheabul de descărcare pentru a nu fi înfundate. C. Înălțimea roții nu trebuie să fie niciodată prea mică din cauza stării gazonului. Măriți înălțimea de tăiere.
4. Împingerea mașinii de tuns iarba este foarte dificilă.	A. Măriți înălțimea de tăiere pentru a reduce frecarea dintre puntea inferioară și iarba. Verificați rotirea liberă a fiecărei roți.
5. Mașina de tuns iarba este anormal de zgomotoasă și vibrează.	A. Eliberați bara de funcționare pentru a opri mașina de tuns gazonul. Scoateți acumulatorul. Răsturnați mașina de tuns gazonul pe o parte și verificați ca lama să nu fie îndoită sau deteriorată. Dacă lama este deteriorată, înlocuiți-o cu o lamă nouă. Dacă partea dorsală a scutului este deteriorată, duceți mașina de tuns gazonul la un service autorizat. B. Dacă lama nu este deteriorată în mod vizibil dar mașina încă vibrează: eliberați bara de funcționare pentru a opri mașina, scoateți acumulatorul și îndepărtați lama. Rotiți lama cu 180° și apoi strângeți-o la loc. Dacă mașina de tuns gazonul încă vibrează, duceți-o la un service autorizat.
6. LED-ul încărcătorului acumulatorului este stins.	A. Verificați conectarea ștecherului. B. Înlocuiți încărcătorul.

7. LED-ul încărcătorului acumulatorului nu vrea să ardă cu lumină verde.	A. Acumulatorul trebuie verificat. Duceți-l la un service autorizat.
8. Mașina de tuns iarba nu reușește să colecteze firele de iarbă tăiate cu ajutorul sacului de colectare a ierbii.	A. Jgheabul din spate este înfundat. Eliberați bara de funcționare pentru a opri mașina de tuns gazonul. Scoateți acumulatorul. Curățați jgheabul de aglomerările de iarbă. B. Prea multă iarbă tăiată. Ridicați înălțimea de tăiere a roților pentru a scurta lungimea tăierii. C. Sacul este plin. Goliți sacul de colectare mai des.
9. La curățarea terenului există decupaje vizibile.	A. Prea multă iarbă tăiată. Măriți înălțimea de tăiere prin înălțarea roților deoarece astfel scurtați lungimea de tăiere. Nu tăieți mai mult de 1/3 din lungimea totală a firelor. B. Verificați tăișul lamei. Păstrați întotdeauna lama ascuțită. C. Reduceți viteza dacă iarba este înaltă și deosebit de deasă.
10. Durată de funcționare scăzută sau redusă după mai multe utilizări.	A. Trimiteți/duceți mașina la un service autorizat – s-ar putea să aibă nevoie de un acumulator nou.
11. Indicatorul de avertizare clipește.	A. Opriți mașina și scoateți acumulatorul și reinstalați-l, și reporniți mașina. B. Contactați reprezentantul de service.

DATE TEHNICE

Tip: **KC720 KC720.X (720- codul echipamentului, reprezentativ pentru mașina de tuns iarba SP, cu punte din oțel)**

RO	KC720 KC720.X **
Tensiune	60V  Max***
Materialul punții	Oțel armat -1.8 mm
Lățime tăiere	47 cm
Turație max. de autopropulsare	6.4 km/h
Înălțimea de tăiere	20-80 mm
Pozițiile înălțimii de tăiere	7
Capacitatea sacului de colectare a ierbii	70 L
Grad de protecție	IPX4
Durata de funcționare	70min@11Ah****
Greutatea mașinii de tuns gazonul (goală)	38 kg

** X = 1-999, A-Z, M1-M9 sunt destinate doar clienților diferiți, nu există modificări legate de siguranță între aceste modele.

*** Tensiune măsurată în gol. Tensiunea inițială a acumulatorului atinge maximum 60 volți. Tensiunea nominală este de 54 volți.

**** Durata de funcționare poate varia în funcție de modul în care este utilizată mașina și de condiția gazonului.

Treapta de viteză de tăiere selectată influențează durata de funcționare a bateriei. Cu cât viteza de tăiere este mai mică, cu atât este mai lungă perioada de funcționare.

BATERII ȘI ÎNCĂRCĂTOARE SUGERATE


Acumulator	Capacitate	Încărcător	Amperage
KAC810	11 Ah	KAC840	30 A

Recomandăm să achiziționați accesoriile de la același reprezentant de unde ați achiziționat aparatul. Consultați ambalajul accesoriilor pentru detalii suplimentare. Reprezentantul dvs. vă poate ajuta cu recomandări.

DATE TEHNICE PENTRU ACUMULATOR (OPȚIONAL)

Benzi de frecvență pentru bluetooth	2400-2483.5 MHz
Putere transmisă, maximă pentru bluetooth	8 dBm

INFORMAȚII PRIVIND ZGOMOTUL

Presiune sonoră ponderată A	$L_{pA} = 83.2 \text{ dB(A)}$
K_{pA}	3 dB(A)
Putere sonoră ponderată A	$L_{wA} = 95.84 \text{ dB(A)}$
K_{wA}	0.65 dB(A)
Purtați echipament de protecție pentru urechi.	

INFORMAȚII PRIVIND VIBRAȚIILE

Vibrație ponderată tipică $a_n < 2.5 \text{ m/s}^2$

Marjă de eroare $K = 1.5 \text{ m/s}^2$

AVERTISMENT: Valoarea emisiilor de vibrații în timpul utilizării efective a unelei electrice poate diferi de valoarea nivelului declarat, în funcție de modul în care unealta este utilizată, în funcție de următoarele exemple și alte variații privind utilizarea unelei: Modul în care este utilizată unealta și materialele tăiate sau găurite.

Unealta să fie într-o stare bună și întreținută corespunzător.

Utilizarea accesoriului corect pentru unealtă, fiind ascuțit și în bună stare de funcționare.

Strângerea cu fermitate a mânerelor și utilizarea oricărui accesoriu anti-vibrații.

Iar unealta este utilizată conform destinației de utilizare și acestor instrucțiuni.


Această unealtă poate cauza sindromul vibrației mâinii-brațului dacă nu este utilizată corespunzător.

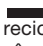
AVERTISMENT: Pentru precizie, o estimare a nivelului de expunere în condițiile de utilizare reale trebuie de asemenea să țină cont de toate componentele ciclului de operare, precum momentele când unealta este oprită și când merge în gol, dar nu efectuează operația propriu-zisă. Acest lucru ar putea reduce semnificativ nivelul de expunere pe durata totală de lucru.

Ajută la reducerea riscului de expunere la vibrații. Utilizați ÎNTOTDEAUNA dălți, burghie și lame ascuțite. Întrețineți unealta în conformitate cu aceste instrucțiuni și mențineți-o bine lubrifiată (dacă este cazul). Dacă unealta va fi utilizată în mod regulat, investiți în accesorii anti-vibrații.

Planificați-vă lucrul pentru a desfășura utilizarea uneltelor cu nivel ridicat de vibrații de-a lungul mai multor zile.

PROTECȚIA MEDIULUI ÎNCONJURĂTOR

 Deșeurile produselor electrice nu se vor arunca împreună cu deșeurile menajere.

 Reciclați acolo unde există instalații de reciclare. Consultați autoritățile locale sau vânzătorul pentru recomandări privind reciclarea.

DECLARAȚIE DE CONFORMITATE

Noi,
Positec Germany GmbH
Postfach 680194, 50704 Cologne, Germany

În numele Positec declarăm că produsul
Descriere **Mașină de tuns gazonul cu baterii**
Tip **KC720 KC720.X (720- codul echipamentului,**
reprezentativ pentru mașina de tuns iarba SP, cu
punte din oțel)
Funcție **tunderea ierbii**

Este conform cu următoarele Directive,
2006/42/EC, 2014/30/EU, 2011/65/EU & (EU)
2015/863, 2000/14/EC modificată prin 2005/88/EC

2000/14/EC modificată prin 2005/88/EC:
- Procedură de evaluare a conformității conformă cu
Anexa VI
- Nivel de putere sonoră măsurat **95.84 dB (A)**
- Nivel de putere sonoră garantat declarat **96 dB (A)**

Organismul notificat implicat
Nume: TÜV Rheinland LGA Products GmbH
(organism notificat 0197)
Adresa: Tillystraße 2-90431 Nürnberg

RO

Standardele sunt conforme cu,
EN 62841-1, EN IEC 62841-4-3, EN ISO 3744, EN
IEC 55014-1, EN IEC 55014-2, EN IEC 63000

Persoana autorizată să compileze fișierul tehnic,
Denumire Marcel Filz
Adresă Positec Germany GmbH
Postfach 680194, 50704 Cologne, Germany



2024/02/05
Allen Ding
Adjunct Inginer șef, Testare și certificare
Positec Technology (China) Co., Ltd
18, Dongwang Road, Suzhou Industrial
Park, Jiangsu 215123, P. R. China

SPIS TREŚCI

Wprowadzenie.....	173
Listakomponentów.....	175
Bezpieczeństwo produktu.....	176
Montaż i obsługa.....	180
Transport.....	185
Konserwacja.....	185
Czyszczenie.....	186
Złożenie.....	187
Rozwiązywanieproblemów.....	188
Dane techniczne.....	189
Zasady ochrony środowiska.....	190
Deklaracja zgodności.....	191

PL

WPROWADZENIE

Drogi kliencie,

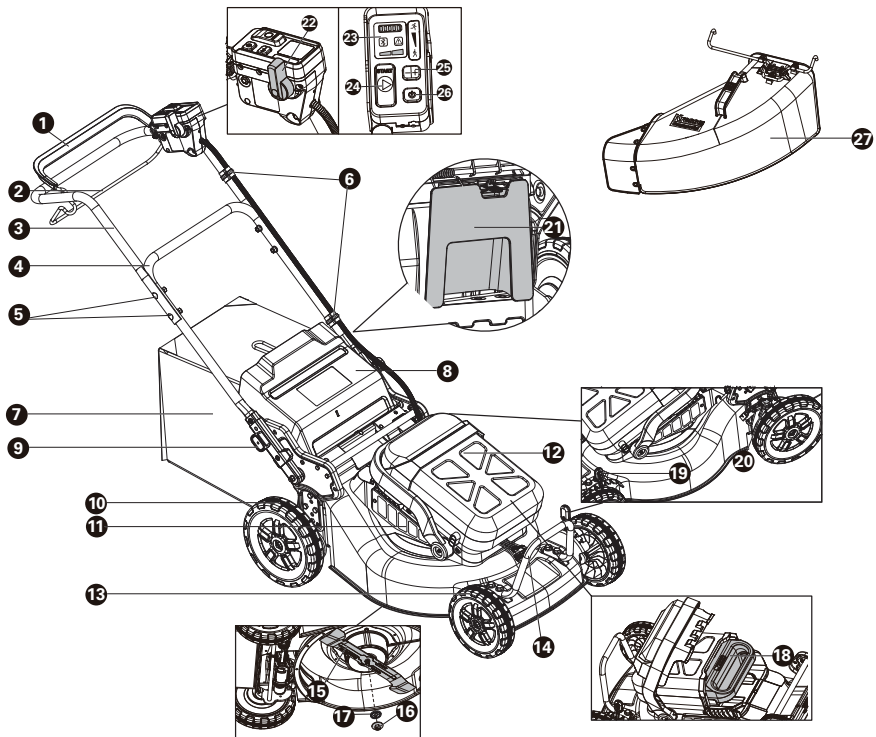
Dziękujemy za zakup produktu Kress Commercial. Jesteśmy zaangażowani w rozwój wysokiej jakości produktów, aby spełnić Państwa wymagania dotyczące komercyjnej architektury krajobrazu.

Marka Kress jest synonimem najwyższej jakości usług. Przez lata eksploatacji produktu, w razie jakichkolwiek pytań lub wątpliwości jego dotyczących, prosimy o kontakt ze sprzedawcą lub naszym Działem Obsługi Klienta w celu uzyskania pomocy.

Jesteśmy przekonani, że będą Państwo cieszyć się pracą z produktem Kress przez wiele lat.

UŻYCIE ZGODNE Z PRZEZNACZENIEM

Ten produkt jest przeznaczony do komercyjnego koszenia trawników.



LISTA KOMPONENTÓW

1. KABLĄK OPERACYJNY (WŁĄCZANIE OSTRZY)
2. KABLĄK WŁĄCZANIA NAPĘDU
3. UCHWYT GÓRNY
4. UCHWYT DOLNY
5. MOCOWANIA UCHWYTU
6. ZACISK KABLOWY
7. KOSZ NA ŚCIĘTĄ TRAWĘ
8. KLAPA BEZPIECZEŃSTWA
9. POKRĘTŁO REGULACJI WYSOKOŚCI
10. KOŁO TYLNE
11. FILTR POWIETRZA
12. POKRYWA KOMORY BATERII
13. PRZEDNIE KOŁO
14. OSŁONA SILNIKA
15. OSTRZE
16. ŚRUBA BRZESZCZOTA
17. PRZEKŁADKA
18. BATERIA AKUMULATOROWA*
19. PRZEDNIA DŹWIGNIA REGULACJI WYSOKOŚCI KOSZENIA
20. TYLNA DŹWIGNIA REGULACJI WYSOKOŚCI KOSZENIA
21. ZATYCZKA DO MULCZOWANIA
22. REGULACJA PRĘDKOŚCI NAPĘDU SAMOBIEŻNEGO
23. KONTROLKI LED
24. PRZYCISK URUCHAMIANIA NOŻA
25. REGULACJA PRĘDKOŚCI KOSZENIA
26. WYŁĄCZNIK
27. BOCZNA RYNNA WYRZUTOWA*

* Nie wszystkie pokazane na ilustracji akcesoria są dostarczane standardowo.

INSTRUKCJA ORYGINALNA BEZPIECZEŃSTWO PRODUKTU OGÓLNE OSTRZEŻENIA DOTYCZĄCE BEZPIECZEŃSTWA PODCZAS PRACY Z ELEKTRONARZĘDZIAMI



OSTRZEŻENIE Przeczytaj wszystkie ostrzeżenia, instrukcje, ilustracje i

specyfikacje dostarczone z elektronarzędziem.

Niestosowanie się do podanych wskazówek może spowodować porażenie prądem, pożar i / lub ciężkie obrażenia ciała.

Należy dobrze przechowywać te przepisy.

Użyte w dalszej części pojęcie „elektronarzędzie” odnosi się do elektronarzędzi napędzanych prądem (z kablem zasilającym) i do elektronarzędzi napędzanych akumulatorami (bez kabla zasilającego).

1) Miejsce pracy

- a) **Miejsce pracy należy utrzymywać w czystości i dobrze oświetlone.** Nieporządek i nie oświetlane zakresy pracy mogą doprowadzić do wypadków.
- b) **Należy pracować tym narzędziem w otoczeniu zagrożonym wybuchem, w którym znajdują się np. łatwopalne ciecze, gazy lub pyły.** Elektronarzędzia wywołują iskry, które mogą podpalić ten pył lub parę.
- c) **Elektronarzędzie trzymać podczas pracy z daleka od dzieci i innych osób.** Przy odwróceniu uwagi można stracić kontrolę nad narzędziem.

2) Bezpieczeństwo elektryczne

- a) **Wtyczka urządzenia musi pasować do gniazda. Nie wolno zmieniać wtyczki w jakikolwiek sposób. Nie należy używać wtyczek adapterowych razem z uziemionymi narzędziami.** Niezmienione wtyczki i pasujące gniazda zmniejszają ryzyko porażenia prądem.
 - b) **Należy unikać kontaktu z uziemionymi powierzchniami jak rury, grzejniki, piece i lodówki.** Istnieje zwiększone ryzyko porażenia prądem, gdy Państwa ciało jest uziemione.
 - c) **Nie obsługuj urządzenia w deszczu ani wilgoci.** Może to zwiększyć ryzyko porażenia prądem.
 - d) **Nigdy nie należy używać kabla do innych czynności. Nigdy nie używać kabla do noszenia urządzenia za kabel, zawieszania lub do wyciągania wtyczki z gniazda. Kabel należy trzymać z daleka od wysokich temperatur, oleju; ostrych krawędzi lub ruchomych części urządzenia. Uszkodzone lub poplątane kable zwiększają ryzyko**
- porażenia prądem.
- e) **W przypadku, że elektronarzędziem pracuje się na świeżym powietrzu należy używać kabla przedłużającego, który dopuszczony jest do używania na zewnątrz.** Użycie dopuszczonego do używania na zewnątrz kabla przedłużającego zmniejsza ryzyko porażenia prądem.
 - f) **Jeśli nie można uniknąć postępowania się elektronarzędziem w miejscu o dużej wilgotności należy użyć zabezpieczonego zasilacza domowego (RCD).** Stosowanie RCD zmniejsza ryzyko porażenia prądem elektrycznym.
- ## 3) Bezpieczeństwo osób
- a) **Należy być uważnym, zważać na to co się robi i pracę elektronarzędziem rozpoczynać z rozsądkiem. Nie należy używać urządzenia gdy jest się zmęczonym lub pod wpływem narkotyków, alkoholu lub leków.** Moment nieuwagi przy użyciu urządzenia może doprowadzić do poważnych obrażeń ciała.
 - b) **Należy nosić osobiste wyposażenie ochronne i zawsze okulary ochronne.** Noszenie osobistego wyposażenia ochronnego jak maska przeciwpyłowa, nie ślizgające się buty robocze, hełm ochronny lub ochrona słuchu, w zależności od rodzaju i użycia elektronarzędzia zmniejsza ryzyko obrażeń ciała.
 - c) **Należy zapobiec przypadkowemu uruchomieniu. Przed podłączeniem do sieci zasilającej i/lub zestawu baterii, podniesieniem urządzenia i przenoszeniem urządzenia należy sprawdzić, czy przełącznik znajduje się w pozycji wyłączenia.** W przypadku, że przy noszeniu urządzenia trzyma się palec na włączniku/ wyłączniku lub włączone urządzenie podłączone zostanie do prądu, to może to doprowadzić do wypadków.
 - d) **Zanim urządzenie zostanie włączone należy usunąć narzędzia nastawcze lub klucze. Narzędzie lub klucz, które znajdują się w ruchomych częściach urządzenia mogą doprowadzić do obrażeń ciała.**
 - e) **Nie należy przeceniać swoich możliwości. Należy dbać o bezpieczną pozycję pracy i zawsze utrzymywać równowagę.** Przez to możliwa jest lepsza kontrola urządzenia w nieprzewidzianych sytuacjach.
 - f) **Należy nosić odpowiednie ubranie. Nie należy nosić luźnego ubrania lub biżuterii.** Wystrzegaj się kontaktu włosów, części odzieży lub rękawic ochronnych z ruchomymi częściami urządzenia.
 - g) **W przypadku, że możliwe jest zamontowanie urządzeń odsysających lub podchwytyjących należy upewnić się, czy są one właściwie podłączone i prawidłowo użyte.** Użycie tych urządzeń zmniejsza zagrożenie spowodowane pyłami.
 - h) **Częste używanie urządzenia i rutyna**

może osłabić twoją uwagę i być przyczyną niedotrzymywania zasad bezpieczeństwa.

Nieważne działania może spowodować poważne szkody w ułamku sekundy.

- 4) **Staranne obcowanie oraz użycie elektronarzędzi**
 - a) **Nie należy przeciążać urządzenia. Do pracy używać należy elektronarzędzia, które jest do tego przewidziane.** *Odpowiednim narzędziem pracuje się lepiej i bezpieczniej w podanym zakresie sprawności.*
 - b) **Nie należy używać elektronarzędzia, którego włącznik/wyłącznik jest uszkodzony.** *Elektronarzędzie, którego nie można włączyć lub wyłączyć jest niebezpieczne i musi zostać naprawione.*
 - c) **Przed przystąpieniem do wykonywania jakichkolwiek regulacji, ustawień wymiany osprzętu lub składowania urządzenia należy odłączyć wtyczkę od źródła zasilania i/lub wyjąć akumulator.** *Ten środek ostrożności zapobiega niezamierzonemu włączeniu się urządzenia.*
 - d) **Nie używane elektronarzędzia należy przechowywać poza zasięgiem dzieci. Nie należy dać narzędzia do użytku osobom, które jego nie znają lub nie przeczytały tych przepisów.** *Używane przez niedoświadczone osoby elektronarzędzia są niebezpieczne.*
 - e) **Dotrzymuj regularnego wykonywani konserwacji urządzenia i osprzętu. Należy kontrolować, czy ruchome części urządzenia funkcjonują bez zaruszu i nie są zablokowane, czy części nie są pęknięte lub uszkodzone, co mogłoby mieć wpływ na prawidłowe funkcjonowanie urządzenia. Uszkodzone części należy przed użyciem urządzenia oddać do naprawy.** *Wiele wypadków spowodowanych jest przez niewłaściwą konserwację elektronarzędzi.*
 - f) **Narzędzia tnące należy utrzymywać ostre i czyste.** *Starannie pielęgnowane narzędzia tnące z ostrymi krawędziami tnącymi zablokowują się rzadziej i łatwiej się je prowadzi.*
 - g) **Elektronarzędzia, osprzęt, narzędzia itd. należy używać odpowiednio do tych przepisów i tak, jak jest to przewidziane dla tego specjalnego typu urządzenia. Uwzględnić należy przy tym warunki pracy i czynność do wykonania.** *Użycie elektronarzędzi do innych niż przewidziane prace może doprowadzić do niebezpiecznych sytuacji.*
 - h) **Uchwyty oraz powierzchnie elementów obsługi urządzenia utrzymywać suche, czyste, bez oleju i smaru.** *Śliskie uchwyty oraz inne powierzchnie stanowią przeszkodę w bezpiecznej obsłudze i kontroli nad narzędziem w nieoczekiwanych sytuacjach.*
- 5) **Staranne użytkowanie elektronarzędzi napędzanych akumulatorami**
- a) **Akumulatory należy ładować tylko w**

ładówarkach, które poleci) producent.

Dla ładowarki, która nadaje się do ładowania określonych akumulatorów istnieje niebezpieczeństwo pożaru, gdy użyte zostaną inne akumulatory.

- b) **Do elektronarzędzi należy używać jedynie przewidzianych do tego akumulatorów.** *Użycie innych akumulatorów może doprowadzić do obrażeń ciała i niebezpieczeństwa pożaru.*
- c) **Nie używany akumulator należy trzymać z daleka od spinaczy, monet, kluczy, gwoździ, śrub lub innych małych przedmiotów metalowych, które mogłyby spowodować zmostkowanie kontaktów.** *Zwarcie pomiędzy kontaktami akumulatora może spowodować oparzenia lub pożar.*
- d) **Przy niewłaściwym użyciu możliwe jest wydostanie się cieczy z akumulatora. Należy unikać kontaktu z nią. Przy przypadkowym kontakcie spłukać wodą. W przypadku, że ciecz dostała się do oczu należy dodatkowo skonsultować się z lekarzem.** *Ciecz akumulatorowa może doprowadzić do podrażnienia skóry lub oparzeń,*
- e) **Zabrania się używania uszkodzonego lub zmodyfikowanego akumulatora lub urządzenia.** *Uszkodzone lub zmodyfikowane akumulatory mogą działać w nieoczekiwany sposób wywołując pożar, eksplozję lub zagrożenie zranienia osób.*
- f) **Zabrania się wystawiania akumulatora lub urządzenia na działanie ognia lub podwyższonej temperatury.** *Działanie ognia lub temperatury przekraczającej 130 °C może spowodować eksplozję.*
- g) **Kierować się instrukcjami dotyczącymi sposobu ładowania, nie wystawiać akumulatora na działanie temperatury poza zakresem podanym w instrukcji obsługi.** *Niewłaściwy sposób ładowania akumulatora lub działanie temperatury poza zakresem podanym w instrukcji, może być przyczyną uszkodzenia akumulatora lub nastanie podwyższonego ryzyka wybuchu pożaru.*
- 6) **Serwis**
 - a) **Naprawę urządzenia należy zlecić jedynie kwalifikowanemu fachowcowi i przy użyciu oryginalnych części zamiennych.** *To gwarantuje, że bezpieczeństwo urządzenia zostanie zachowane.*
 - b) **Zabrania się dokonywania naprawy uszkodzonego akumulatora.** *Naprawę akumulatora może wykonywać wyłącznie producent lub autoryzowany punkt serwisowy.*

OSTRZEŻENIA BEZPIECZEŃSTWA PODCZAS PRACY KOSIARKI

- a) **Nie używaj kosiarki w złych warunkach pogodowych, zwłaszcza gdy istnieje ryzyko**

wylądowań atmosferycznych. Zmniejsza to ryzyko porażenia piorunem.

- b) **Dokładnie sprawdź teren, na którym ma być używana kosiarka pod kątem obecności dzikich zwierząt.** Dzikie zwierzęta mogą zostać zranione przez kosiarkę podczas pracy.
- c) **Dokładnie sprawdź teren, na którym ma być używana kosiarka i usuń wszystkie kamienie, patyki, druty, kości i inne obce przedmioty.** Wyrzucone przedmioty mogą spowodować obrażenia ciała.
- d) **Przed użyciem kosiarki zawsze sprawdź wzrokowo, czy ostrze i zespół ostrzy nie są zużyte lub uszkodzone.** Zużyte lub uszkodzone części zwiększają ryzyko obrażeń.
- e) **Często sprawdzaj kosz na trawę pod kątem zużycia lub zniszczenia.** Zużyty lub uszkodzony kosz na trawę może zwiększyć ryzyko obrażeń ciała.
- f) **Upewnij się, że osłony są na swoim miejscu. Osłony muszą być sprawne i prawidłowo zamontowane.** Osłona, która jest luźna, uszkodzona lub nie działa prawidłowo może spowodować obrażenia ciała.
- g) **Utrzymuj wszystkie wloty powietrza chłodzącego wolne od zanieczyszczeń.** Zablokowane wloty powietrza i zanieczyszczenia mogą powodować przegrzanie lub ryzyko pożaru.
- h) **Podczas obsługi kosiarki należy zawsze nosić obuwie antypoślizgowe i ochronne. Nie należy obsługiwać kosiarki będąc bosą lub w otwartych sandałach.** Zmniejsza to szansę na zranienie stóp w wyniku kontaktu z ruchomym ostrzem.
- i) **Podczas obsługi kosiarki należy zawsze nosić długie spodnie.** Odsłonięta skóra zwiększa prawdopodobieństwo zranienia przez wyrzucone przedmioty.
- j) **Nie obsługuj kosiarki gdy trawa jest mokra. Idź, nigdy nie biegnij.** Zmniejsza to ryzyko poślizgnięcia się i upadku, co może skutkować obrażeniami ciała.
- k) **Nie należy używać kosiarki na zbyt stromych zboczach.** Zmniejsza to ryzyko utraty kontroli, poślizgnięcia się i upadku, co może skutkować obrażeniami ciała.
- l) **Podczas pracy na zboczach należy zawsze mieć pewność, że pewnie stoi się na nogach, należy zawsze pracować w poprzek zbocza, nigdy w górę lub w dół, a przy zmianie kierunku należy zachować szczególną ostrożność.** Zmniejsza to ryzyko utraty kontroli, poślizgnięcia się i upadku, co może skutkować obrażeniami ciała.
- m) **Zachowaj szczególną ostrożność podczas cofania lub ciągnięcia kosiarki. Zawsze bądź świadomy/świadoma swojego otoczenia.** Zmniejsza to ryzyko potknięcia się podczas pracy.
- n) **Nie dotykaj ostrzy i innych niebezpiecznych części ruchomych, gdy są one w ruchu.** Zmniejsza to ryzyko obrażeń spowodowanych przez ruchome części.
- o) **Podczas usuwania zakleszczonego materiału lub czyszczenia kosiarki upewnij się, że**

wszystkie przełączniki zasilania są wyłączone, a akumulator odłączony. Nieoczekiwana praca kosiarki może spowodować poważne obrażenia ciała.

INSTRUKCJA BEZPIECZEŃSTWA DOTYCZĄCA MODUŁU AKUMULATORA












- a) **Nie demontuj, nie otwieraj lub nie niszcź ogniw pomocniczych lub modułu akumulatora.**
- b) **Nie zwieraj ogniw lub modułu akumulatora. Nie przechowuj ogniw lub modułu akumulatora w sposób bezładny w pudle lub szufladzie, gdzie mogą się wzajemnie zewrzeć lub ulec zwarcia przez inne metalowe przedmioty.** Nie używano akumulator należy trzymać z daleka od spinaczy, monet, kluczy, gwoździ, śrub lub innych małych przedmiotów metalowych, które mogłyby spowodować zmostkowanie kontaktów. Zwarcie pomiędzy kontaktami akumulatora może spowodować oparzenia lub pożar.
- c) **Nie narażaj ogniw lub modułu akumulatora na działanie ciepła lub ognia. Unikaj składowania w miejscach pod bezpośrednim działaniem światła słonecznego.**
- d) **Nie narażaj ogniw lub modułu akumulatora na uderzenia mechaniczne.**
- e) **W razie wycieku z ogniw, nie dopuść, aby płyn zetknął się ze skórą lub dostał się do oczu. Jeśli już nastąpił kontakt z płynem, przemyj skażoną powierzchnię dużą ilością wody i zwróć się o pomoc medyczną.**
- f) **Utrzymuj ogniwa i moduł akumulatora w czystości i w stanie suchym.**
- g) **Jeśli zaciski ogniwa lub akumulatora zostały zanieczyszczone, oczyść je czystą i suchą szmatką.**
- h) **Ogniwa pomocnicze i moduł akumulatora należy przed użyciem naładować. Zawsze używaj właściwej ładowarki i przestrzegaj instrukcji ładowania zawartej w instrukcji obsługi dostarczonej przez producenta urządzenia.**
- i) **Nie pozostawiaj modułu akumulatora na długie ładowanie, jeśli go nie używasz.**
- j) **Po dłuższym okresie składowania może być niezbędne kilkakrotne naładowanie i rozładowanie ogniw lub modułu akumulatora, aby uzyskać optymalną wydajność.**
- k) **Akumulatory należy ładować tylko w ładowarkach, które polecił producent.**
- l) **Nie używaj ogniw lub modułu akumulatora nie przeznaczonych do pracy z danym urządzeniem.**






- m) Trzymaj ogniwa i moduł akumulatora poza zasięgiem dzieci.
- n) Zachowaj oryginalne instrukcje produktu do wglądu.
- o) Kiedy to możliwe, wyjmuj moduł akumulatora, jeśli urządzenia się nie używa.
- p) Zużyte ogniwa i akumulatory utylizuj zgodnie z zasadami gospodarki odpadami.
- q) Nie używaj w urządzeniu ogniw różnych producentów, pojemności i wymiarów.
- r) Akumulatora nie należy zbliżać do źródeł promieniowania mikrofalowego ani narażać na wysokie ciśnienie.
- s) **Ostrzeżenie! Nie używać baterii jednorazowych.**

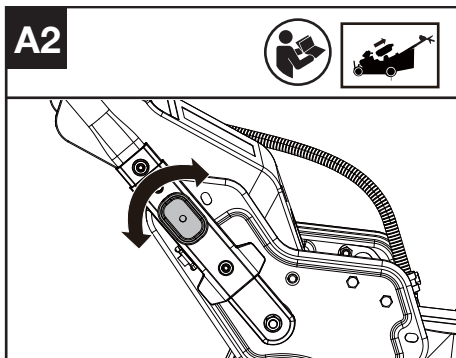
WYMAGANIA DLA PRODUKTU BEZPRZEWODOWEGO WEDŁUG INSTRUKCJI

- a) Działanie tego urządzenia podlega następującym dwóm warunkom:
(1) To urządzenie nie może wytwarzać szkodliwych zakłóceń i
(2) to urządzenie musi być odporne na odbierane zakłócenia, łączenie z tymi, które powodują niepożądane działanie.
- b) Ostrożnie: Zmiany lub modyfikacje w tym urządzeniu, które nie są jawnie zaaprobowane przez stronę odpowiedzialną za zgodność, mogą unieważnić uprawnienie użytkownika do używania sprzętu.
- c) **WSKAZÓWKA:** Ten sprzęt wytwarza, wykorzystuje i może promieniować energię o częstotliwości radiowej, i - o ile nie jest zainstalowane i używane zgodnie z instrukcją - może powodować szkodliwe zakłócenia w łączności radiowej. Jednakże, nie ma gwarancji, że w konkretnej instalacji zakłócenia nie wystąpią. Jeżeli ten sprzęt powoduje szkodliwe zakłócenia w odbiorze radiowym lub telewizyjnym, co można ustalić wyłączając i włączając go, zachęca się użytkownika do próby skorygowania problemu przez jeden z następujących środków:
- Reorientacja lub relokacja anteny odbiorczej.
- Zwiększenie odstępów między sprzętem i odbiornikiem.
- Podłączenie sprzętu do gniazdka w innym obwodzie niż ten, z którym połączony jest odbiornik.
- W kwestii pomocy skonsultuj się ze sprzedawcą lub doświadczonym technikiem radiowym/TV.

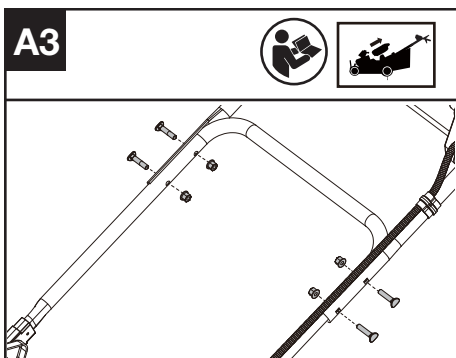
SYMBOLE

	Aby zmniejszyć niebezpieczeństwo odniesienia obrażeń, użytkownik powinien przeczytać podręcznik z instrukcjami.
	Ostrzeżenie
	OSTRZEŻENIE – Prosimy uważać na wyrzucane przedmioty – osoby postronne powinny zachować dystans.
	OSTRZEŻENIE – Prosimy trzymać ręce i stopy z dala od ostrzy
	OSTRZEŻENIE – Przed przystąpieniem do konserwacji odłącz akumulator
	Po wyłączeniu silnika ostrze nadal się obraca. Należy poczekać, aż wszystkie elementy maszyny całkowicie się zatrzymają, zanim się ich dotknie
	Należy zakładać okulary ochronne
	Przed przystąpieniem do regulacji, serwisowania lub konserwacji należy odłączyć akumulator z gniazdka
	Nieprawidłowo utylizowane baterie mogą dostać się do obiegu wodnego, co jest groźne dla ekosystemu. Nie wyrzucaj baterii wraz z niesortowanymi odpadami miejskimi.
	Nie wrzucać do ognia
	Duża prędkość

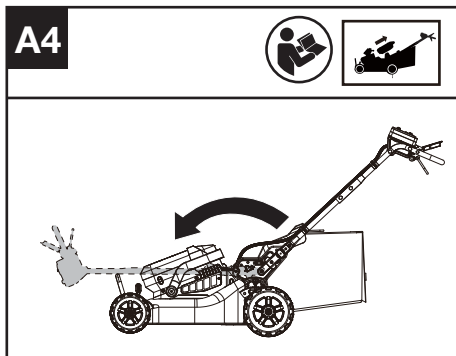
	<p>Mała prędkość</p>
 Li-Ion 	<p>Bateria litowo-jonowa. Ten produkt oznaczono symbolem „segregacji odpadów” dla zużytych baterii i akumulatorów. Umożliwia to jego recykling i demontaż, które zmniejszają negatywny wpływ na środowisko. Pakiety akumulatorów są niebezpieczne dla środowiska i dla ludzkiego życia, gdyż zawierają niebezpieczne substancje.</p>
 	<p>Odpady wyrobów elektrycznych nie powinny być wyrzucane razem z odpadami gospodarstwa domowego. Należy korzystać z recyklingu, jeśli istnieje odpowiednia infrastruktura. Porady dotyczące recyklingu można uzyskać u władz lokalnych lub sprzedawcy detalicznego.</p>



Montaż uchwytu górnego. (Patrz Rys. A3)




WSKAZÓWKA: Uchwyty można złożyć do transportu lub przechowywania poza sezonem. (Patrz Rys. A4)



PL

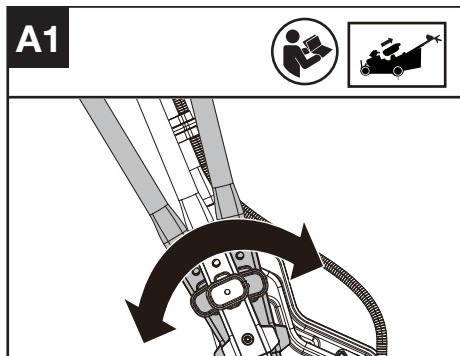
MONTAŻ I OBSŁUGA

 **WSKAZÓWKA:** Przed użyciem narzędzia prosimy uważnie zapoznać się z treścią instrukcji obsługi.

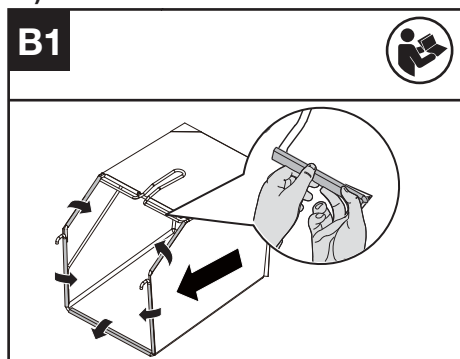
 **PRZED ROZPOCZĘCIEM PRACY**

Regulacja wysokości uchwyty i montaż uchwyty dolnych. (Patrz Rys. A1, A2)

3. Można wybrać 3 poziomy wysokości. Wybierz odpowiednią wysokość i obróć pokrętkę regulacji wysokości.



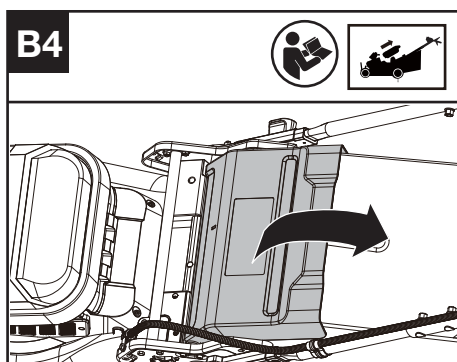
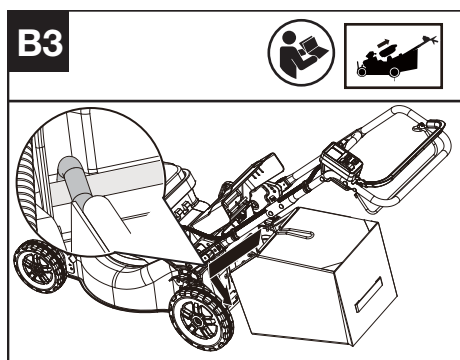
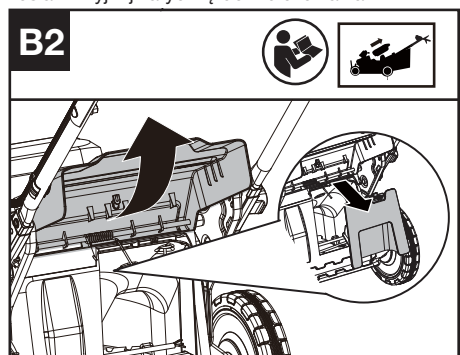
Montaż kosza na ściętą trawę (Patrz Rys. B1)



Sposób przymocowania kosza na ściętą trawę do kosiarki (Patrz Rys. B2,B3,B4)

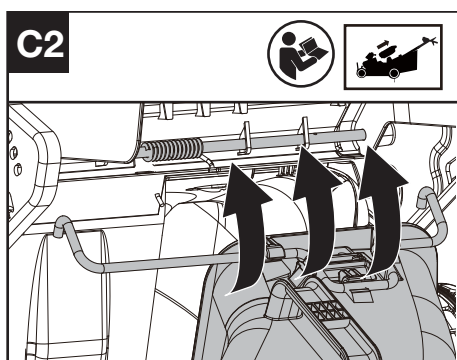
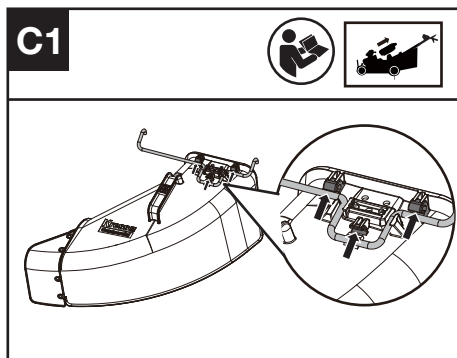
WSKAZÓWKA: Kosz na ściętą trawę lekko wciśnij sprawdzając, czy jest poprawnie założony.

WSKAZÓWKA: Przed założeniem kosza na trawę, z kosiarki wyjmij zatyczkę do mulczowania.



Montaż bocznej rynny wyrzutowej do kosiarki (patrz rys. C1, C2)

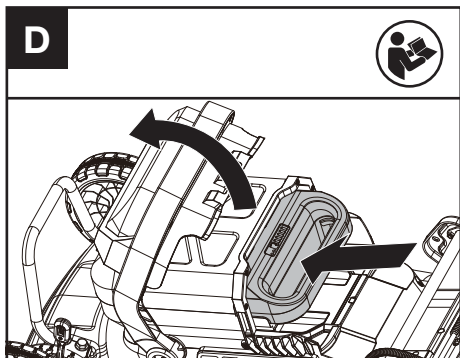
UWAGA: Wyjmij zaślepkę mulczowania z kosiarki i zdejmij worek na trawę przed zamontowaniem bocznej rynny wyrzutowej.



Sprawdzenie stanu naładowania baterii i ładowanie pakietu baterii.

WSKAZÓWKA: Baterie są dostarczane w stanie nienaładowanym. Bateria musi być w pełni naładowana przed pierwszym koszeniem. Więcej szczegółów można znaleźć w instrukcji baterii i

Wkładanie/wyjmowanie baterii (Patrz Rys. D)



Sprawdzanie elementów sterujących

1. Wyjmij baterię.
2. Spróbuj nacisnąć wyłącznik, przycisk uruchamiania ostrza tnącego lub regulator prędkości cięcia. Jeśli wyłącznik, przycisk uruchamiania ostrza tnącego lub regulator prędkości cięcia zablokują się i nie mogą powrócić do pierwotnej pozycji, przestań używać kosiarki i skontaktuj się z serwisem technicznym.
3. Spróbuj pociągnąć i zwolnić kabłąk roboczy lub kabłąk samobieżnego włączania. Jeśli kabłąk roboczy lub kabłąk samobieżnego włączania zablokuje się i nie może powrócić do pierwotnego położenia, należy zaprzestać używania kosiarki i skontaktować się z serwisem technicznym.
4. Obróć regulator prędkości napędu. W przypadku zablokowania regulatora prędkości napędu należy zaprzestać używania kosiarki i skontaktować się z serwisem technicznym.

Sprawdzanie wyświetlacza (Patrz Rys. E)

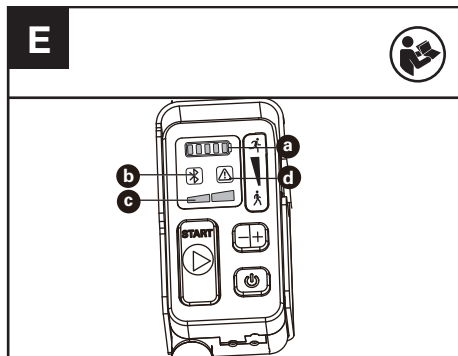
1. Zamontuj baterię.
2. Naciskaj wyłącznik, a sygnalizator baterii (a) i sygnalizator prędkości cięcia (c) zaświecą się.
3. Naciśnij przycisk uruchamiania ostrza tnącego i pociągnij za kabłąk roboczy, aby uruchomić maszynę.
4. Jeśli wskaźnik ostrzegawczy (d) miga, zapoznaj się z rozdziałem **Rozwiązywanie problemów** w celu znalezienia rozwiązania.
5. Zwolnij kabłąk roboczy. Ostrze przestaje się obracać po krótkim opóźnieniu. Jeśli kosiarka nie może się zatrzymać, wyjmij baterię i skontaktuj się z serwisem technicznym.

Kontrolki LED

- | | |
|----|---------------------------------|
| a. | SYGNALIZATOR BATERII |
| b. | SYGNALIZATOR BLUETOOTH |
| c. | SYGNALIZATOR PRĘDKOŚCI KOSZENIA |

d. SYGNALIZATOR OSTRZEGAWCZY

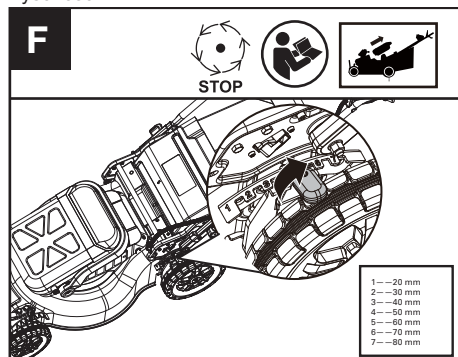
UWAGA: Wskaźnik ostrzegawczy miga na czerwono lub żółto, gdy urządzenie działa nieprawidłowo. Jeśli czerwona kontrolka miga, należy zwrócić się o pomoc do sprzedawcy. Jeśli żółta kontrolka miga, należy wyłączyć urządzenie, wyjąć akumulator, a następnie włożyć go ponownie i włączyć urządzenie. Jeśli żółta kontrolka nadal miga, należy zwrócić się o pomoc do sprzedawcy.



Regulacja wysokości koszenia (Patrz Rys. F)

Wyreguluj wysokość koszenia za pomocą dźwigni regulacji wysokości koszenia przedniego i tylnego koła.

UWAGA: Upewnij się, czy przednie i tylne koła znajdują się w tej samej pozycji podczas regulacji wysokości.



! OSTRZEŻENIE! Przed przystąpieniem do regulacji wysokości maszyną należy zatrzymać, zwolnić pałąk, oraz poczekać do całkowitego zatrzymania silnika. Noże kontynuują obracanie po wyłączeniu urządzenia, obracające się ostrze może spowodować obrażenia. Nie wolno dotykać obracających się ostrzy.

DZIAŁANIE

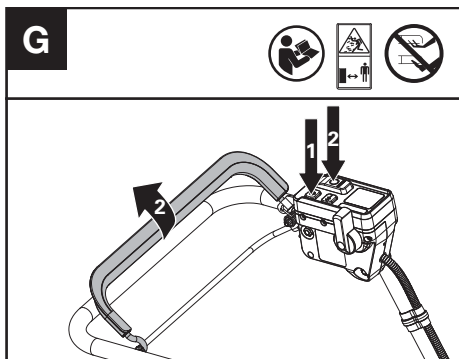
Uruchamianie/zatrzymywanie kosiarki (Patrz Rys. G)

1. Naciśnij włącznik
2. Naciśnąc przycisk uruchomienia ostrza tnącego (Hold Down) i pociągnąć za kabłąk operacyjny, aby uruchomić maszynę.
3. Zwolnij kabłąk roboczy, aby zatrzymać.

! **OSTRZEŻENIE!** Ostrze nadal się obraca po wyłączeniu kosiarki; poczekaj, aż całkowicie się zatrzyma.

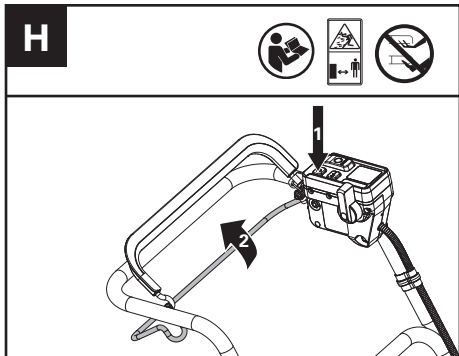
WSKAZÓWKA: Aby uruchomić, naciśnij przycisk uruchamiania ostrza tnącego i jednocześnie pociągnij za kabłąk roboczy.

POSKAZÓWKA: Naciskaj wyłącznik, a wyświetlacz zaświeci się. Wyświetlacz wyłączy się automatycznie, jeśli w ciągu 60 sekund nie zostanie wykonana żadna operacja.

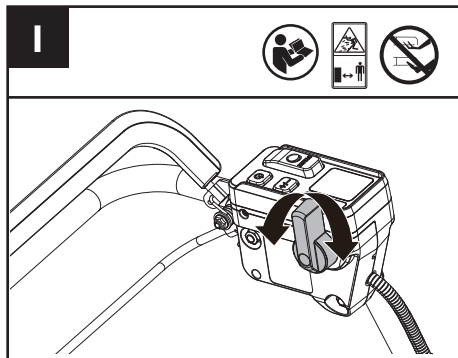


Obsługa układu napędu samobieznego (Patrz Rys. H)

1. Naciśnij włącznik
2. Pociągnij za kabłąk włączania mechanizmu napędu samobieznego, co spowoduje uruchomienie układu napędowego.
3. Zwolnij kabłąk włączania mechanizmu napędu samobieznego, co spowoduje zatrzymanie kosiarki.

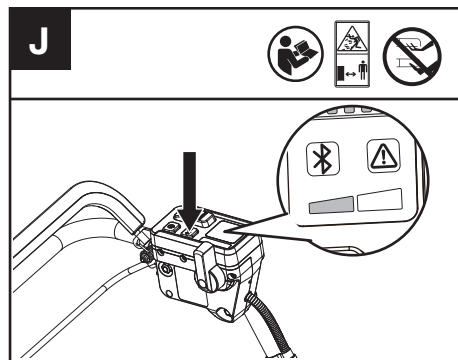


Wybór prędkości napędu samobieznego (Patrz Rys. I)



Wybór prędkości koszenia (Patrz Rys. J)

Zależnie od potrzeb można wybrać jedną z 2 prędkości koszenia. Korzystając z przycisków +/- wybierz żądana prędkość, wskazującą przez kontrolki LED. Im wyższy poziom prędkości koszenia, tym szybciej kosiarka pracuje.



WSKAZÓWKI DOTYCZĄCE PRZEMIESZCZANIA

Podczas rozdrabniania, nowa kosiarka umożliwiła cięcie kawałków trawy na małe cząstki i ich rozprzestrzenianie po trawniku. W normalnych warunkach, rozdrobniona trawa ulega szybkiej biodegradacji dostarczając nawozy do trawnika. W celu zapewnienia optymalnej wydajności procesu rozdrabniania należy zastosować się do następujących zaleceń.

- 1) Najlepszą wydajność uzyskuje się, gdy akumulator jest w pełni naładowany, ścinając nie więcej, niż 1/3 wysokości trawy. Przed rozpoczęciem kolejnego sezonu koszenia zalecamy zamontowanie nowego noża.
- 2) W celu uzyskania najlepszej wydajności rozdrabniania należy ustawić wysokość koszenia na jedną trzecią wysokości trawy, najlepiej nie więcej jednorazowo niż 40mm. Jeśli trawa na

trawniku jest zbyt wysoka, może się okazać niezbędne zwiększenie wysokości cięcia, aby zmniejszyć opór i zabezpieczyć przed nadmiernym obciążeniem silnika. Przy ekstremalnie trudnym rozdrabnianiu, zaleca się, aby najpierw ciąć przy najwyższym ustawieniu wysokości, a następnie powtórzyć cięcie w celu uzyskania dokładnego ciecicia końcowego. W przeciwnym razie należy obejmować kosiarką jak największą szerokość trawnika i przesuwać się powoli.

- 3) For the best performance, keep the mower housing free of built-up grass. From time to time turn off mower and wait for the blades to come to a complete stop. Remove the batteries and turn mower on its side. Using an object such as a stick, wipe out any accumulation of grass around the blade area. Be careful of the sharp edges of the blade. Ensure to clean the blade area often when cutting wet or new grass and every time after the machine is used.
- 4) Niektóre rodzaje trawy lub stan trawy wymagają przeprowadzenia kolejnego rozdrabniania w celu pełnego rozproszenia trawy po trawniku. Podczas drugiego cięcia, zaleca się koszenie w kierunku prostopadłym (poprzecznie) do pierwszego cięcia. **NIE NALEŻY ZMIENIĄĆ KIERUNKU CIĘCIA, JEŚLI NOWY KIERUNEK ZAKŁADA PORUSZANIE SIĘ W DÓŁ ZBOCZA.**
- 5) Należy co tydzień zmieniać kierunek cięcia. Zapobiega to utrwalaniu się na trawniku wzorów.
- 6) Do not mow on a slope that has an angle of greater than 18°.

WIELKOŚĆ POWIERZCHNI KOSZENIA

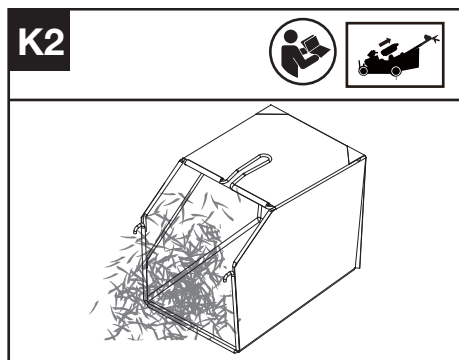
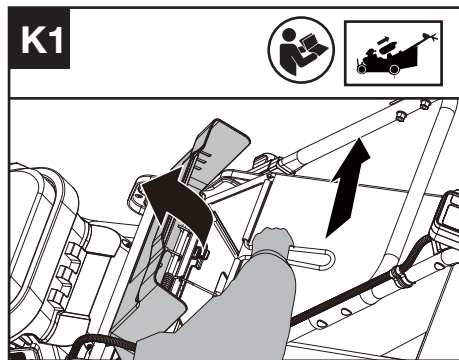
Na wielkość powierzchni koszenia ma wpływ kilka czynników, którymi są: wysokość koszenia, wilgotność trawnika, długość źdźbła trawy oraz gęstość trawy. Częste uruchamianie i wyłączenia kosiarki podczas koszenia trawnika, ma również wpływ na zmniejszenie wielkości skoszonej powierzchni.

RADY:

- 1) Zaleca się kosić trawę, w krótszych odstępach czasu, poruszając się normalnym tempem i nie uruchamiać lub wyłączać często kosiarki.
- 2) For best performance, please ensure battery pack is fully charged and always cut off 1/3 or less of the grass height. It is suggested to install a new blade before the cutting season begins.
- 3) Podczas koszenia wysokiej trawy należy chodzić powoli, czym zagwarantujemy skuteczne koszenie i należyte odprowadzanie skoszonej trawy.
- 4) Wystrzegać się koszenia wigotnej trawy. Trawa w takim stanie będzie przylegać do dolnej części mechanizmu koszenia a skoszona trawa nie byłaby należycie gromadzona i odprowadzana.
- 5) Przy koszeniu nowego lub gęstego trawnika należy zastosować większą wysokość koszenia, dzięki czemu wydłuży się zakres pracy akumulatorów.

Wymywanie/opróznianie kosza na trawę (Patrz Rys. K1, K2)

⚠️ OSTRZEŻENIE! Przed użyciem należy zawsze sprawdzić, czy klapka bezpieczeństwa zamknięta wylot wyrzutowy. Nigdy nie podnoś kłapy bezpieczeństwa ani nie wyjmuj zatyczki do mulczowania, gdy maszyna jest używana bez zamontowanego kosza na trawę.



ZALECENIA DLA NARZĘDZI AKUMULATOROWYCH

Zalecany zakres temperatury otoczenie wynosi -20 °C~45 °C(-4 °F~113 °F). Zalecany zakres temperatury otoczenia dla systemu ładowania, podczas jego ładowania, wynosi od -5 °C~45 °C(23 °F~113 °F).

Szczegóły dotyczące bezpiecznego utylizowania zużytych akumulatorów:

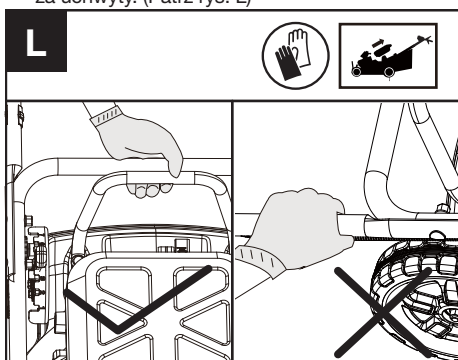
Pod koniec okresu eksploatacji urządzenia należy bezpiecznie usunąć akumulator przed wyłączeniem urządzenia. Nie wyrzucaj akumulatorów, ani nie umieszczaj ich w normalnym koszu na śmieci. Nie usuwaj również akumulatora razem z maszyną. Wyjmij zużyty akumulator z urządzenia i zutylizuj go w najbliższym lub najdogodniejszym wyznaczonym punkcie recyklingu. W przypadku wątpliwości skonsultuj się z lokalnym wydziałem ochrony środowiska. Niewłaściwa utylizacja akumulatorów

może wpłynąć na cykl wodny, co może stanowić zagrożenie dla ekosystemu. Nie wyrzucaj zużytych akumulatorów jako niesegregowanych odpadów komunalnych.

TRANSPORT

Transport kosiarki

1. Wyłącz kosiarkę i wyjmij baterię.
2. Podczas transportu kosiarki można korzystać z napędu własnego bez włączania ostrza tnącego.
3. Do podnoszenia kosiarki zaleca się, aby dwie osoby podnosiły kosiarkę z każdej strony, używając osłony silnika i obszarów połączeń dolnego uchwyty jako uchwyty. Podczas podnoszenia urządzenia w stanie złożonym należy chwycić za osłonę silnika, a nie za uchwyty. (Patrz rys. L)



Transportowanie akumulatora

1. Zadbaj o to, by akumulator był w bezpiecznych warunkach.
2. Do transportu akumulatora korzystaj z nieprzewodzącego opakowania.
3. Akumulatory litowo-jonowe będące na wyposażeniu podlegają wymogom przepisów o towarach niebezpiecznych. Transportuj akumulatory tylko wtedy, gdy obudowa nie jest uszkodzona. Pakuj akumulatory tak, by nie mogły obracać się wokół w opakowaniu.

KONSERWACJA

⚠ OSTRZEŻENIE! Przed zdjęciem kosza na trawę zatrzymaj kosiarkę i wyjmij baterię.
UWAGA: Aby zapewnić długie i skuteczne działanie należy regularnie przeprowadzać następujące procedury konserwacji. Należy sprawdzać widoczne defekty, takie jak luźne, nieprawidłowo ułożony lub uszkodzony nóż, luźne uszczelnienia i zużyte lub uszkodzone komponenty. Należy sprawdzić, czy pokrywy i osłony nie są uszkodzone i czy są prawidłowo zainstalowane w kosiarce. Przed rozpoczęciem używania kosiarki należy

przeprowadzać wszystkie niezbędne czynności konserwacyjne lub naprawy. Jeśli nie można wykonać normalnych czynności konserwacji kosiarki w celu uzyskania porady należy zadzwonić na linię pomocy klienta.

OSTRZENIE NOŻA
OSTRY NOŻ ZAPEWNIĄ LEPSZĄ WYDAJNOŚĆ KOSIARKI. STĘPIONY NOŻ NIE KOSI TRAWY ANI JEJ NIE MULCZYJE PRAWIDŁOWO.
PODCZAS DEMONTAŻU, OSTRZENIA I MONTAŻU OSTRZA NALEŻY STOSOWAĆ OKULARY I RĘKAWICE OCHRONNE.

WSKAZÓWKA: Co 50 godzin pracy nóż należy naostrzyć lub wymienić. Piasek powoduje szybkie tępienie ostrza. Jeśli trawnik ma piaszczystą glebę, konieczne może być częstsze ostrzenie lub wymiana ostrza.

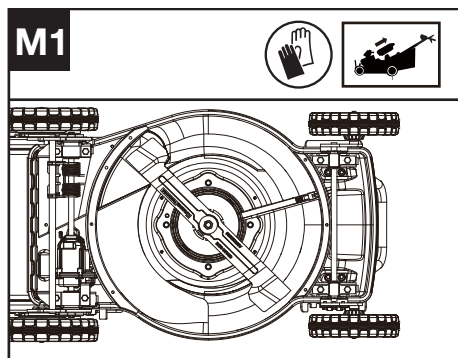
WYGIĘTY LUB USZKODZONY NOŻ NALEŻY NIEWŁOCZNIE WYMIENIĆ.

OSTRZENIE NOŻA

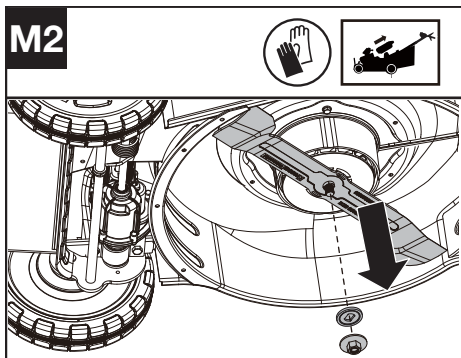
1. Użyj drewnianego klocka, aby zapobiec obracaniu się ostrza.
2. Za pomocą nasadki i klucza wyjmij śrubę ostrza, a następnie ostrze. (Patrz sekcja dotycząca usuwania ostrza)
3. Zamocuj ostrze w imadle lub podobnym uchwycie, aby zapobiec jego przesuwaniu się podczas ostrzenia.
4. Naostrz krawędzie tnące na obu końcach noża. Upewnij się, że z obu końców usunięto taką samą ilość materiału, aby zachować wyważenie ostrza.
5. Sprawdź wyważenie ostrza. (Patrz sekcja dotycząca wyważenia ostrza)
6. Nóż zamontuj w kolejności odwrotnej do demontażu.
7. Śrubę mocującą nóż należy dokręcić z wymaganym momentem obrotowym (25 Nm).

WSKAZÓWKA:

1. Upewnij się, że kosiarka jest wyłączona i wyjmij baterię.
2. Przechyl kosiarkę na bok, jak pokazano na rysunku M1

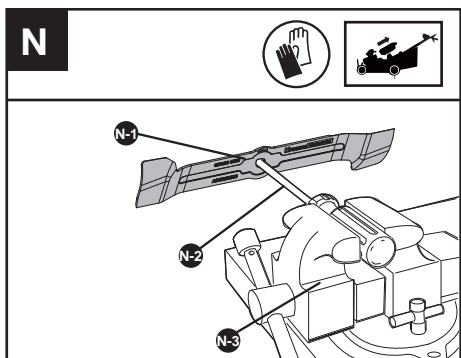


DEMONTAŻ NOŻA (PATRZ RYS. M2)



ZRÓWNOWAŻENIE NOŻA (PATRZ RYS. N)

Sprawdź zrównoważenie noża umieszczając centralny otwór w ostrzu N-1 nad śrubokręta N-2, zaciśniętego poziomo w imadle N-3. Jeśli jeden z końców obraca się w dół należy go podpiłować. Nóż jest prawidłowo naostrzony, jeśli ni opada żaden z jego końców.



WYMIANA NOŻA

- Najlepsze wyniki uzyskuje się stosując noże dostosowane do warunków pracy kosiarki.

NÓŻ	FUNKCJE
Noż wysokoprofilowy	Do koszenia z użyciem kosza na trawę
Noż typu "Gator"	Polecany do mulczowania

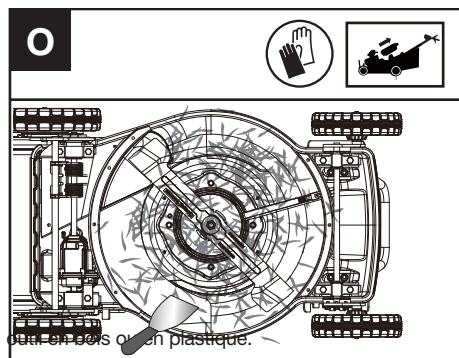
CZYSZCZENIE

1. Zatrzymaj kosiarkę i wyjmij baterię.
2. Nie używaj agresywnych detergentów ani rozpuszczalników. Czyść maszynę po użyciu wilgotną ściereczką zanurzoną w neutralnym detergencie.

3. Gniazdo chroń przed materiałami obcymi, czyść miękką i suchą szczotką lub ściereczką.
4. Silnika ani części elektrycznych nie spryskuj wodą.
5. Nie używaj myjek ciśnieniowych do czyszczenia maszyny.

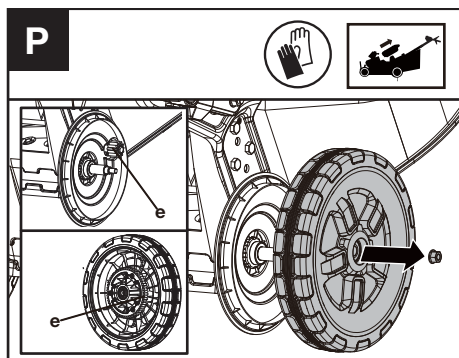
Czyszczenie korpusu i obszaru ostrzy. (Patrz Rys. O)

Czyszczenie skoszonej trawy i zanieczyszczeń z korpusu i obszaru ostrza. Jeśli skoszona trawa jest zbita w obszarze ostrza, usuń ją drewnianym lub plastikowym narzędziem



Czyszczenie kół. (Patrz Rys. P)

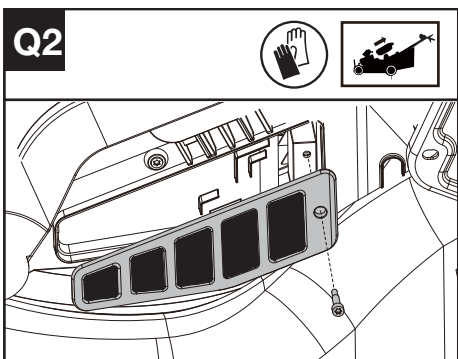
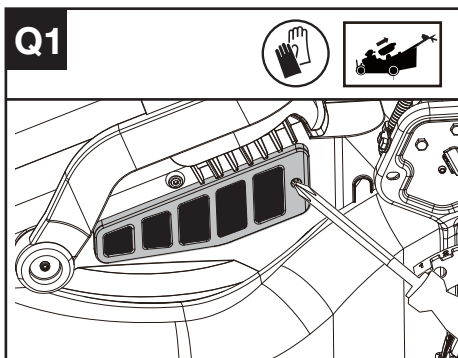
- Zatrzymaj kosiarkę i wyjmij baterię.
- Koła należy czyścić co 50 godzin pracy lub częściej, zależnie d warunków pracy.
- Zdejmij tylne koła i wyczyść skoszoną trawę i zanieczyszczenia z obszaru koła zębatego.
- Zaleca się nałożenie niewielkiej ilości środka przeciwzatarciowego na koło(a) zębate po czyszczeniu



Czyszczenie filtra powietrza (Patrz Rys. R, Q1, Q2)

1. Oczyszczyć miejsce wokół filtra powietrza. Stosuj nawilżoną ściereczkę lub miękką szczotkę.
2. Odkręć i wyjmij filtr powietrza.

3. Wymyj filtr powietrza pod bieżącą wodą i usuń brud.
4. Pozostaw filtr powietrza do wyschnięcia na powietrzu. I następnie zainstaluj w obudowie dokręcając śrubę.



ZŁOŻENIE

1. Zatrzymaj kosiarkę i wyjmij baterię.
2. Wyczyść dokładnie zewnętrzną część urządzenia miękką szczotką i ściereczką. Nie używaj rozpuszczalników ani środków do polerowania. Usuń całą trawę i zanieczyszczenia, zwłaszcza ze szczelin wentylacyjnych, płyty do mulczowania, obszaru ostrzy i kół.
3. Maszynę przechowuj w suchym miejscu, niedostępnym dla dzieci i innych nieuprawnionych osób. Nie umieszczaj innych przedmiotów na urządzeniu.
4. Aby ułatwić przechowywanie, poluzuj mocowania uchwytu, co umożliwi jego złożenie.
5. Baterię przechowuj tylko w zakresie temperatur od 5 °C (41 °F) do 25 °C (77 °F). Na przykład nie zostawiaj akumulatora w samochodzie latem.
6. Po zamoczeniu w deszczu podczas pracy, urządzenie i akumulator powinny być wysuszone przed przechowywaniem lub ładowaniem. Wyjmij akumulator i włóż go ponownie, jeśli urządzenie nie będzie się włączać

ROZWIĄZYWANIE PROBLEMÓW

W poniższej tabeli opisano usterki oraz działania, jakie należy podjąć w przypadku nieprawidłowego działania kosiarki.



OSTRZEŻENIE: Przed przystąpieniem do opisanych czynności należy wyłączyć maszynę i wyjąć akumulator.

OBJAWY	MOŻLIWE ROZWIĄZANIE
1. Kosiarka nie porusza się po wciśnięciu pałąka.	A. Sprawdź, czy przyciski uruchamiania ostrza tnącego jest wciśnięty do końca. B. Zwolnij kabłąk roboczy, aby wyłączyć kosiarkę. Wyjmij baterię, odwróć kosiarkę i sprawdź, czy ostrze może się swobodnie obracać. Jeśli nie obracają się, należy oddać urządzenie do autoryzowanego serwisu. Ostrze powinno obracać się swobodnie. C. Czy bateria została w pełni naładowana? Podłącz ładowarkę i poczekaj aż zapali się zielona lampka. D. Aby uruchomić, naciśnij przycisk uruchamiania ostrza tnącego i jednocześnie pociągnij za kabłąk roboczy.
2. Silnik zatrzymuje się podczas koszenia.	A. Zwolnij kabłąk roboczy, aby wyłączyć kosiarkę. Wyjmij baterię, obróć kosiarkę, aby sprawdzić, czy kosiarka nie jest zatkana resztkami trawy, usuń zanieczyszczenia z obszaru obracania się ostrza. Następnie sprawdź, czy ostrze może się swobodnie obracać. Jeśli nie obracają się, należy oddać urządzenie do autoryzowanego serwisu. Ostrze powinno obracać się swobodnie. B. Zwiększyć wysokość ustawienia kół do najwyższego położenia i włączyć kosiarkę. C. Czy akumulator został całkowicie naładowany? Baterię umieścić w ładowarce i poczekać do rozświecania się zielonej kontrolki. D. Unikać przeciążania kosiarki. Zmniejszyć prędkość lub zwiększyć wysokość koszenia. Bądź dwóch.
3. Kosiarka jest włączona ale skuteczność koszenia jest niska lub nie pokosiła całego trawnika.	A. czy akumulator został całkowicie naładowany? Baterię umieścić w ładowarce i poczekać do rozświecania się zielonej kontrolki. B. Zwolnij kabłąk roboczy, aby wyłączyć kosiarkę. Wyjmij akumulator. Odwróć kosiarkę i sprawdź: Ostrze dla ostrości - Utrzymaj zaostrzone ostrze. Obudowę i wyrzut pod kątem zapchania się. C. Wysokość kół może być ustawiona za nisko dla danego stanu trawy. Zwiększyć wysokość koszenia.
4. Kosiarkę pcha się z nadmiernym wysiłkiem.	A. Zwiększyć wysokość koszenia w celu zmniejszenia oporu powodowanego przez tarcie spodem kosiarki o trawę. Sprawdzić, czy wszystkie koła obracają się swobodnie.
5. Kosiarka pracuje nietypowo głośno i drga.	A. Zwolnij kabłąk roboczy, aby wyłączyć kosiarkę. Wyjmij akumulator. Obróć kosiarkę na bok i sprawdź, czy ostrze nie jest wygięte lub uszkodzone. Jeśli ostrze jest uszkodzone, wymień ostrze na nowe. Jeśli spód obudowy jest uszkodzony, zwróć kosiarkę do autoryzowanego serwisu. B. Jeśli nie ma widocznych uszkodzeń ostrza, a kosiarka nadal wibruje: Zwolnij kabłąk roboczy, aby wyłączyć kosiarkę, wyjmij baterię i ostrze. Obróć ostrze o 180 stopni i ponownie dokręć. Jeśli kosiarka nadal wibruje, oddaj kosiarkę do autoryzowanego serwisu.
6. Nie świeci LED kontrolka ładowarki.	A. Skontrolować podłączenie do sieci elektrycznej. B. Wymienić ładowarkę.
7. Kontrolka LED ładowarki nie świeci na zielonym światłem.	A. Należy skontrolować baterię. Skontaktować się z autoryzowanymi punktem serwisowym.

8. Kosiarka nie przemieszcza skoszonej trawy do worka.	A. Zatkany tylny lej. Zwolnij kabłąk roboczy, aby wyłączyć kosiarkę. Wyjmij baterię. Wyczyść lej ze skoszonej trawy. B. Zbyt dużo ściętej trawy. Zwiększ wysokość koszenia, aby skrócić długość cięcia. C. Zapelniony kosz. Częściej opróżniaj kosz.
9. Widoczne są wycięcia podczas mulczowania.	A. Koszona jest nadmierna ilość trawy naraz. Zwiększyć wysokość kół, aby zmniejszyć długość ścinanych fragmentów. Nie kosić więcej niż 1/3 długości. B. Skontrolować stan naostrzenia noży. Ostrza zawsze utrzymywać w dobrze naostrzonym stanie. C. Zmniejsz prędkość, jeśli trawa jest wysoka lub bardzo gęsta.
10. Niski lub skrócony czas pracy po wielu zastosowaniach.	A. Skontaktować się z autoryzowanym punktem serwisowym – być może konieczna jest wymiana baterii.
11. Wskaźnik ostrzegawczy miga.	A. Wyłącz urządzenie i wyjmij akumulator, a następnie włóż go ponownie i włącz urządzenie. B. Skontaktuj się z przedstawicielem serwisu

DANE TECHNICZNE

Typ: **KC720 KC720.X (720 - oznaczenie maszyny, przedstawiciel kosiarki SP ze wzmocnionym stalowym pokładem)**

	KC720 KC720.X **
Napięcie	60V  Max***
Materiał korpusu	Stal wzmocniona -1.8 mm
Szerokość cięcia	47 cm
Maks. prędkość SP	6.4 km/h
Wysokość cięcia	20-80 mm
Pozycje wysokości koszenia	7
Objętość kosza na trawę	70 L
Stopień ochrony	IPX4
Czas pracy	70min@11Ah****
Waga maszyny (samo narzędzie)	38 kg

** X = 1-999, A-Z, M1-M9 są tylko dla różnych klientów, nie ma żadnych zmian związanych z bezpieczeństwem między tymi modelami.

*** Napięcie mierzone bez obciążenia. Początkowe napięcie akumulatora osiąga maksymalną wartość 60 V. Napięcie nominalne wynosi 54 V.

**** Czas pracy może się różnić w zależności od sposobu użytkowania narzędzia i stanu trawy. Wybrany poziom prędkości cięcia wpływa na czas pracy baterii. Im niższy poziom prędkości cięcia, tym dłuższy czas pracy.

ZALECANE AKUMULATORY I ŁADOWARKI

Akumulatorki	Pojemność	Ładowarki	Amperage
KAC810	11 Ah	KAC840	30 A

Zalecamy zakup akcesoriów z tego samego sklepu, który sprzedał Ci narzędzie. Więcej informacji można znaleźć na opakowaniu akcesoriów. Personel sklepu może pomóc i zaoferować porady.

DANE TECHNICZNE AKUMULATORA (OPCJONALNIE)

Pasma częstotliwości dla Bluetooth	2400-2483.5 MHz
Maksymalna moc przesyłana dla Bluetooth	8 dBm

DANE DOTYCZĄCE HAŁASU

Ważone ciśnienie akustyczne	$L_{pA} = 83.2 \text{ dB(A)}$
K_{pA}	3 dB(A)
Ważona moc akustyczna	$L_{wA} = 95.84 \text{ dB(A)}$
K_{wA}	0.65 dB(A)

Używać ochrony słuchu



INFORMACJE DOTYCZĄCE DRGAŃ

Typowa wibracja ważona	$a_h < 2.5 \text{ m/s}^2$
Niepewność	$K = 1.5 \text{ m/s}^2$

⚠ OSTRZEŻENIE: Wartość emisji wibracji w czasie rzeczywistego używania elektronarzędzia może się różnić od zadeklarowanej, w zależności od sposobu używania narzędzia w następujących przykładach i innych sposobach używania narzędzia: Pomoc w minimalizacji narażenia na wibracje. Należy ZAWSZE używać ostrych dłut, wiertel i ostrzy.

Narzędzie należy konserwować z godnie z instrukcjami i prawidłowo smarować (w odpowiednich miejscach). Jeśli narzędzie jest używane regularnie należy zakupić akcesoria antywibracyjne. Należy zaplanować harmonogram pracy w celu rozłożenia używania narzędzi wytwarzających wysoki poziom drgań na kilka dni.

Nieprawidłowe prowadzenie tego narzędzia może spowodować syndrom wibracji rąk.

⚠ OSTRZEŻENIE: W szczególności, oszacowanie poziomu ekspozycji w rzeczywistych warunkach używania powinno brać także pod uwagę wszystkie elementy cyklu działania, takie jak czasy wyłączenia narzędzia i czas bezczynności, ale nie rzeczywiste wykonywaną pracę. Może to znacznie zmniejszyć poziom ekspozycji w całym okresie pracy. Pomoc w minimalizacji narażenia na wibracje. Należy ZAWSZE używać ostrych dłut, wiertel i ostrzy.

Narzędzie należy konserwować z godnie z instrukcjami i prawidłowo smarować (w odpowiednich miejscach). Jeśli narzędzie jest używane regularnie należy zakupić akcesoria antywibracyjne. Należy zaplanować harmonogram pracy w celu rozłożenia używania narzędzi wytwarzających wysoki poziom drgań na kilka dni.

ZASADY OCHRONY ŚRODOWISKA



Nie wolno mieszać zużytych urządzeń elektrycznych z innymi odpadami domowymi. Należy je oddawać do recyklingu tam, gdzie istnieją odpowiednie zakłady bądź punkty zdawania odpadów. Porady w tym zakresie można zasięgnąć u najbliższego sprzedawcy lub w przedstawicielstwie władz lokalnych.

DEKLARACJA ZGODNOŚCI

My,
Positec Germany GmbH
Postfach 680194, 50704 Cologne, Germany

W imieniu firmy Positec zaświadczam, że produkt
Nazwa **Akumulatorowa kosiarka do trawy**
Typ **KC720 KC720.X (720 - oznaczenie maszyny, przedstawiciel kosiarki SP ze wzmocnionym stalowym pokładem)**
Funkcje **Koszenie trawy**

Jest zgodny z następującymi dyrektywami:
2006/42/EC, 2014/30/EU, 2011/65/EU & (EU) 2015/863, 2000/14/EC zmieniona 2005/88/EC

2000/14/EC zmieniona dyrektywą 2005/88/EC:
- Procedura oceny zgodności zgodna z **Anekssem VI Dyrektywy**
- Moc dźwięku **95.84 dB (A)**
- Deklarowana gwarantowana moc dźwięku **96 dB (A)**

Dane jednostki notyfikowanej
Nazwa: TÜV Rheinland LGA Products GmbH
(jednostka notyfikowana 0197)
Adres: Tillystraße 2-90431 Nürnberg

Normy są zgodne z
EN 62841-1, EN IEC 62841-4-3, EN ISO 3744, EN IEC 55014-1, EN IEC 55014-2, EN IEC 63000

Osoba upoważniona do kompilacji pliku technicznego,
Nazwa Marcel Filz
Adres Positec Germany GmbH
Postfach 680194, 50704 Cologne, Germany



2024/02/05
Allen Ding
Zastępca głównego inżyniera, testowanie i
Certyfikacja
Positec Technology (China) Co., Ltd
18, Dongwang Road, Suzhou Industrial
Park, Jiangsu 215123, P. R. China

OBSAH

Úvod.....	192
Seznamkomponentů.....	194
Bezpečnost výrobku.....	195
Sestavení a provoz.....	198
Přeprava.....	203
Údržba.....	203
Čištění.....	204
Skladování.....	205
Hledání závad.....	206
Technické údaje.....	207
<hr/> cz Ochrana životního prostředí.....	208
Prohlášení o shodě.....	209

ÚVOD

Vážený zákazníku,

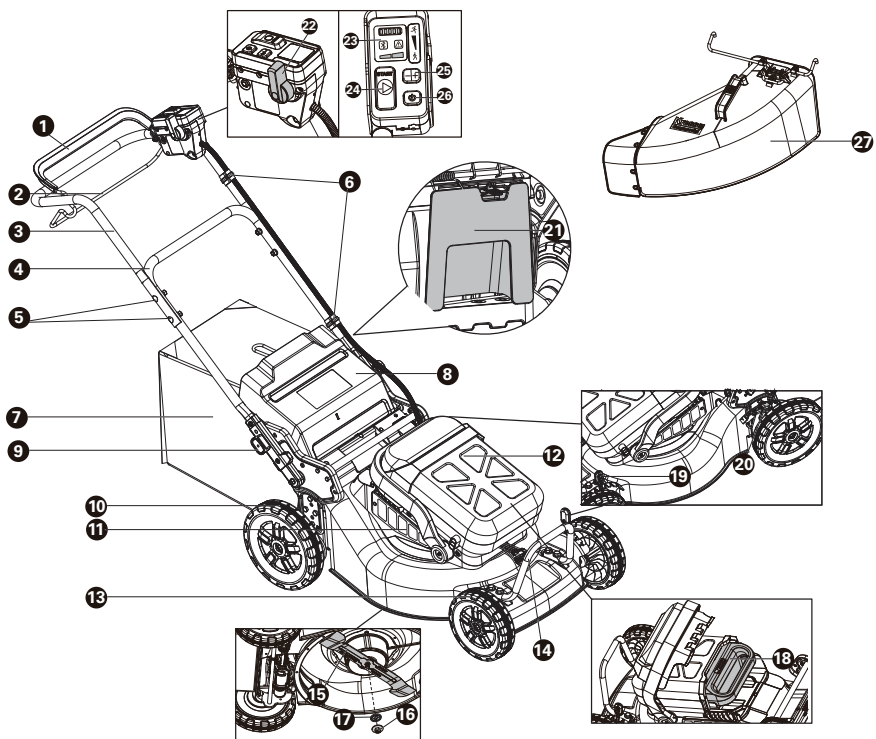
děkujeme, že jste si zakoupili tento produkt od společnosti Kress Commercial. Zaměřujeme se na vývoj vysoce kvalitních produktů, které splní vaše požadavky při krajinářských pracích.

Značka Kress je synonymem služeb prémiové kvality. Pokud budete mít kdykoli během doby životnosti vašeho produktu jakékoli otázky nebo obavy ohledně vašeho produktu, obraťte se na vašeho prodejce nebo přímo na náš tým Zákaznických služeb.

Věříme, že budete mít radost z používání vašeho produktu od společnosti Kress po mnoho nadcházejících let.

PŘEDMĚT POUŽITÍ

Tento produkt je určen pro komerční sekání trávniku.



SEZNAM KOMPONENT

1. OVLÁDACÍ MADLO (AKTIVACE ČEPELE)
2. POJEZDOVÉ MADLO
3. HORNÍ RUKOJEŤ
4. DOLNÍ RUKOJEŤ
5. UPEVNĚNÍ RUKOJETÍ
6. KABELOVÁ SPONA
7. SBĚRNÝ VAK NA TRÁVU
8. BEZPEČNOSTNÍ KLAPKA
9. KNOFLÍK PRO NASTAVENÍ VÝŠKY
10. ZADNÍ KOLO
11. VZDUCHOVÝ FILTR
12. KRYT PŘIHRÁDKY NA BATERII
13. PŘEDNÍ KOLO
14. KRYT MOTORU
15. ČEPEL
16. MATICE ČEPELE
17. PODLOŽKA
- CZ 18. BATERIE*
19. PŘEDNÍ NASTAVENÍ VÝŠKY SEKÁNÍ
20. ZADNÍ NASTAVENÍ VÝŠKY SEKÁNÍ
21. MULČOVACÍ ZÁTKA
22. OVLÁDÁNÍ RYCHLOSTI POJEZDU
23. LED KONTROLKY
24. STARTOVACÍ TLAČÍTKO SEKÁNÍ
25. OVLÁDÁNÍ RYCHLOSTI SEKÁNÍ
26. VYPÍNAČ
27. BOČNÍ VÝSYPNÝ SKLUZ*

* Ne všechno zobrazené nebo popisované příslušenství je součástí standardní dodávky.

PŮVODNÍ NÁVOD K POUŽÍVÁNÍ BEZPEČNOST VÝROBKU OBECNÁ BEZPEČNOSTNÍ UPOZORNĚNÍ PRO ELEKTRICKÉ NÁSTROJE

! **VAROVÁNÍ** Přečtete si všechna bezpečnostní varování, pokyny, seznamte se s ilustracemi a technickými údaji dodanými s tímto elektrickým nářadím.

Nedodržení jakýchkoliv níže uvedených pokynů může mít za následek úraz elektrickým proudem, vznik požáru nebo vážného úrazu.

Uložte instrukce a veškerou dokumentaci pro budoucí použití.

Výraz "elektrické ruční nářadí" znamená v upozornění buď na nářadí na elektrický pohon (napájené elektrickou sítí) nebo na akumulátorové nářadí (napájené z akumulátoru).

1) Bezpečnost na pracovišti

- a) **Udržujte pracoviště v čistotě a dobře osvětlené.** Pracoviště plné nepotřebných předmětů nebo slabě osvětlené zvyšuje možnost úrazu.
- b) **D Nepoužívejte elektrické ruční nářadí v prostředí náchylném na exploze jako například v přítomnosti hořlavých tekutin, plynů nebo prachu.** Elektrické ruční nářadí při práci vytváří jiskry, které mohou vznítit prach nebo výpary.
- c) **Při práci s elektrickým ručním nářadím udržujte děti a přihlízející osoby v dostatečné vzdálenosti.** Ztráta pozornosti může vést ke ztrátě kontroly nad nářadím.

2) Bezpečnost při práci s elektrinou

- a) **Vidlice elektrického ručního nářadí musí být shodného typu jako zásuvky el. sítě.** Neměňte vidlici nedovoleným nebo neodborným způsobem, předejete tak možným zraněním nebo úrazu el proudem. *Nepoužívejte spolu s uzemněným ručním nářadím žádné adaptéry, které neumožňují ochranu zemněním.*
 - b) **Vyhýbejte se kontaktu s uzemněnými povrchy jako například trubkami, radiátory, sporáky a ledničkami.** Je-li vaše tělo spojené s uzemněným předmětem nebo stojí na uzemněné ploše, vzniká zvýšené riziko úrazu elektrickým proudem.
 - c) **Stroj nepoužívejte v dešti nebo moku.** Mohlo by to zvýšit nebezpečí zasažení elektrickým proudem.
 - d) **Nemanipulujte s napájecím kabelem necitlivě.** Nikdy si nepřitahujte elektrické ruční nářadí k sobě pomocí kabelu, netahejte je za sebou pomocí kabelu a nevytrhávejte kabel ze zástrčky, abyste ruční nářadí vypnuli. Nevystavujte kabel vysokým teplotám, oleji, ostrým hranám nebo kontaktu s pohyblivými díly. *Poškozené nebo zamotané kabely mohou vést k zvýšenému riziku úrazu elektrickým proudem.*
 - e) **Při práci s ručním nářadím v exteriéru použijte prodlužovací kabel vhodný pro použití v exteriéru.** *Použijte kabel vhodný pro venkovní prostředí, snižujete tím riziko vzniku úrazu elektrickým proudem.*
 - f) **Pokud je práce s ručním nářadím ve vlhkých podmínkách nevyhnutelná, použijte napájení chráněné jističem typu proudový chránič (RCD).** *Použití RCD jističe redukuje riziko vzniku úrazu elektrickým proudem.*
- 3) **Osobní bezpečnost**
 - a) **Buďte soustředěni, sledujte co děláte a při práci s ručním nářadím se řiďte zdravým rozumem.** *Nepoužívejte ruční nářadí, jste-li unaveni nebo pod vlivem omamných látek, alkoholu nebo léků.* *Moment nepozornosti při práci s ručním nářadím může vést k vážnému osobnímu zranění.*
 - b) **Použijte osobní ochranné pomůcky.** *Vždy noste ochranu očí.* *Ochranné pomůcky jako například proti prachová maska, boty s protiskluzovou podrážkou nebo chrániče sluchu použité v příslušných podmínkách pomáhají redukovat nebezpečí vážného osobního zranění.*
 - c) **Předcházejte neúmyslnému zapnutí.** *Ujistěte se, že vypínač je ve vypnuté poloze předtím, než zapojíte nářadí do elektrické sítě a nebo k akumulátoru, rovněž při zvedání nebo nošení nářadí.* *Nošení nářadí s prstem na vypínači nebo nářadí pod napětím zvyšuje možnost úrazu.*
 - d) **Odstraňte jakékoliv nastavovací nebo maticové klíče a šrouby předtím, než zapnete ruční nářadí.** *Nastavovací nebo jiný klíč ponechaný na rotující části ručního nářadí může způsobit osobní úraz.*
 - e) **Nepřeceňujte se.** *Udržujte si stabilitu a pevnou zem pod nohama za každých podmínek.* *Umožňuje vám to lepší kontrolu nad ručním nářadím v neočekávaných situacích.*
 - f) **Pro práci se vhodné oblečte.** *Nenoste volné oblečení nebo šperky.* *Své vlasy a volné oblečení držte z dosahu pohyblivých částí.* *Volné oblečení, šperky nebo dlouhé vlasy se mohou do pohyblivých částí zachytit.*
 - g) **Pokud jsou zařízení nastavená na spojení se zařízeními na zachytávání a extrakci prachu, ujistěte se, že jsou tato zařízení správně připojena a použita.** *Použitím sběrače prachu redukuje rizika vyvolaná prachem.*
 - h) **Nedopusťte, abyste díky zkušenostem nabytým častým používáním elektrického nářadí přestali dodržovat základy bezpečného použití.** *Neopatrný úkon může způsobit vážný úraz během zlomku sekundy.*
 - 4) **Použití a údržba ručního nářadí**
 - a) **Na ruční nářadí netlačte.** *Použijte správné*

ruční nářadí pro danou činnost. Správné ruční nářadí udělá práci lépe a takovou rychlostí, pro kterou bylo navrženo.

- b) **Nepoužívejte ruční nářadí, pokud správně nefunguje vypínač on/off.** Jakékoliv ruční nářadí, které se nedá ovládat vypínačem, je nebezpečné a musí být opraveno.
- c) **Před jakýmkoliv seřízením, výměnou násad nebo uskladněním elektrického nářadí vyjměte síťovou zástrčku ze zásuvky nebo, pokud je to možné, z něj vyjměte akumulátor.** Taková preventivní bezpečnostní opatření redukuje riziko náhodného zapnutí ručního nářadí.
- d) **Nepoužíváte-li ruční nářadí, skladujte je mimo dosah dětí a nedovolte osobám, které nemají zkušenosti s prací s ručním nářadím nebo neznají tyto pokyny, s nářadím pracovat.** Ruční nářadí je nebezpečné v rukách neškolené a nezkušené osoby.
- e) **Provádějte pravidelnou údržbu elektrického nářadí a příslušenství.** Zkontrolujte chybné připojení nebo spojení pohyblivých částí, zlomené části nebo jiné okolnosti, které by mohly ovlivnit funkčnost ručního nářadí. Je-li nářadí poškozeno, nechte je před novým použitím opravit. Mnoho úrazů vzniká proto, že je elektrické ruční nářadí špatně udržováno.
- f) **Udržujte řezné nástroje ostré a čisté.** Správně udržované řezné nástroje s ostrými řezacími hranami jsou méně náchylné na zakousnutí a lépe se ovládají.
- g) **Používejte elektrické nářadí v souladu s těmito pokyny, berte v úvahu pracovní podmínky a druh vykonávané práce.** Je-li elektrické nářadí použito na jiné účely, než je určeno, může docházet k nebezpečným situacím.
- h) **Rukojeti a povrchy držadel udržujte suché, čisté, bez maziv a tuků.** Kluzké rukojeti a držadla neumožňují bezpečnou manipulaci a obsluhu nářadí v neočekávaných situacích.
- 5) **Použití a údržba elektrického nářadí napájeného baterií**
 - a) **Provádějte nabíjení pouze v nabíječce, která je specifikovaná výrobcem.** Nabíječka, která je vhodná pro jeden typ baterie, může při použití jiného typu baterie vytvářet riziko způsobení požáru.
 - b) **Při použití nářadí napájeného baterií používejte pouze baterii, která je určena speciálně pro toto nářadí.** Použití jakékoli jiné baterie může vytvářet riziko způsobení zranění a požáru.
 - c) **Není-li baterie používána, udržujte ji v bezpečné vzdálenosti od sponek na papíry, mincí, klíčů, hřebíků, šroubů nebo jiných malých kovových předmětů, které mohou způsobit propojení kontaktů baterie.** Zkratování kontaktů baterie může způsobit popáleniny nebo požár.
 - d) **V náročných podmínkách může docházet k únikům kapaliny z baterie.** Vyvarujte

se kontaktu s touto kapalinou. Dojde-li k náhodnému kontaktu, opláchněte zasažené místo vodou. Zasažne-li tato kapalina oči, okamžitě vyhledejte lékařské ošetření.

Kapalina unikající z baterie může způsobit podráždění nebo popáleniny.

- e) **Akumulátor nebo nářadí, které je poškozeno nebo je upravené, nepoužívejte.** Poškozené nebo upravené akumulátory mohou mít nepředvídatelné chování s následkem požáru, exploze nebo s nebezpečím úrazu.
- f) **Akumulátor nebo nářadí nevazujte do ohně nebo je nevstavujte nadměrným teplotám.** Při vhození do ohně nebo vystavení teplotě nad 130 ° C může dojít k explozi.
- g) **Dodržujte veškeré pokyny pro nabíjení a akumulátor nebo nářadí nenabíjejte mimo teplotní rozsah specifikovaný v tomto návodu.** Nesprávné nabíjení, nebo nabíjení při teplotách mimo specifikovaný rozsah může poškodit akumulátor a zvýšit riziko vzniku požáru.
- 6) **Servis**
 - a) **Servisní práce na nářadí nechte provést kvalifikovanými pracovníky za použití originálních náhradních dílů.** Výsledkem bude trvalá bezpečnost při práci s elektrickým nářadím.
 - b) **Poškozené akumulátory nikdy neopravujte.** Servis akumulátorů by měl být prováděn pouze výrobcem nebo autorizovaným servisním zástupcem.

BEZPEČNOSTNÍ UPOZORNĚNÍ K SEKAČCE NA TRÁVU

- a) **Sekačku na trávu nepoužívejte za špatných povětrnostních podmínek, obzvláště ne, když hrozí nebezpečí blesku.** Tím snížíte nebezpečí zasažení bleskem.
- b) **Před použitím sekačky důkladně prohledejte zvolenou oblast z důvodu případného výskytu zvířat.** Během používání sekačky na trávu by mohlo dojít ke zranění zvířat.
- c) **Důkladně prohleďte oblast, kde budete sekačku na trávu používat, a odstraňte všechny kameny, klacky, dráty, kosti a další cizí předměty.** Vymršťené předměty mohou způsobit zranění.
- d) **Před použitím sekačky vždy vizuálně zkontrolujte, zda není poškozena čepel nebo její mechanismus.** Opatřovanou nebo poškozenou částí zvyšují riziko zranění.
- e) **Pravidelně kontrolujte sběrný koš na trávu, zda není opotřebovaný nebo poškozený.** Opatřebovaný nebo poškozený sběrný koš na trávu zvyšuje riziko zranění.
- f) **Kryt ponechte na místě. Kryty musejí být ve funkčním stavu a řádně namontovány.** Kryt, který je volný, poškozený nebo nefunguje správně,

může způsobit zranění.

- g) **Udržujte všechny vstupní otvory vzduchu volné a bez nečistot.** Ucpané vstupní otvory vzduchu a zbytky trávy mohou způsobit přehřátí nebo vznik požáru.
- h) **Při práci se sekačkou na trávu na sobě vždy mějte protiskluzovou ochrannou obuv. Se sekačkou na trávu nepracujte, pokud jste bosí nebo máte otevřené sandály.** To snižuje možnost poranění nohou při kontaktu s pohyblivými se čepelí.
- i) **Při práci se sekačkou vždy noste dlouhé kalhoty.** Odhalená kůže zvyšuje pravděpodobnost zranění vymrštěnými předměty.
- j) **Sekačku na trávu nepoužívejte na mokré trávě. Chodte, nikdy neběhejte.** Tím snížíte riziko uklouznutí a pádu, což by mohlo vést ke zranění.
- k) **Sekačku na trávu nepoužívejte na příliš strmých svazích.** Tím snížíte riziko ztráty kontroly, uklouznutí a pádu, což by mohlo vést ke zranění.
- l) **Při práci na svazích mějte vždy pevnou půdu pod nohama, vždy pracujte kolmo ke svahu, nikdy nahoru a dolů, a při změně směru buďte mimořádně opatrní.** Tím snížíte riziko ztráty kontroly, uklouznutí a pádu, což by mohlo vést ke zranění.
- m) **Při couvání nebo přitahování sekačky k sobě buďte mimořádně opatrní. Vždy si buďte vědomi svého okolí.** To při provozu snižuje nebezpečí zakopnutí.
- n) **Nedotýkejte se čepelí a jiných nebezpečných, pohyblivých se částí, pokud jsou stále v pohybu.** To snižuje riziko poranění způsobeného pohyblivými částmi.
- o) **Při odstraňování zaseknutého materiálu nebo čistění sekačky se ujistěte, že jsou všechny vypínače vypnuté a baterie je odpojena.** Nečekané zapnutí sekačky na trávu by mohlo vyústit ve vážné zranění.

BEZPEČNOSTNÍ VAROVÁNÍ TÝKAJÍCÍ SE BATERIÍ

- a) **Nepokoušejte se demontovat, rozebírat nebo rozřezávat baterie nebo její články.**
- b) **Neprovádějte zkratování baterie. Neukládejte baterie nahodile v krabicích nebo v zásuvkách, kde by mohlo dojít k jejich vzájemnému zkratování nebo k zkratování způsobenému jinými předměty. Není-li baterie používána, udržujte ji v bezpečné vzdálenosti od sponek na papíry, mincí, klíčů, hřebíků, šroubů nebo jiných malých kovových předmětů, které mohou způsobit propojení kontaktů baterie. Zkratování kontaktů baterie může způsobit popáleniny nebo požár.**
- c) **Nevystavujte baterii působení horka nebo ohně. Vyvarujte se skladování baterií na otevřeném slunci.**
- d) **Nevystavujte baterii mechanickým rázům.**
- e) **Dojde-li k úniku kapaliny z baterie, zabraňte tomu, aby se tato kapalina dostala do kontaktu s pokožkou nebo aby zasáhla oči. Dojde-li k**

takovému kontaktu, zasažené místo omyjte značným množstvím vody a vyhledejte lékařské ošetření.

- f) **Udržujte baterie čisté a suché.**
- g) **Jsou-li svorky baterie znečištěny, otřete je čistým a suchým hadříkem.**
- h) **Baterie musí být před použitím nabita. Vždy postupujte podle uvedených pokynů a používejte správný postup nabíjení.**
- i) **Nenechávejte baterii nabíjet, nebude-li baterie použita.**
- j) **Po dlouhodobém uložení budete možná muset provést několik cyklů nabíjení a vybíjení, aby baterie dosáhla svého maximálního výkonu.**
- k) **Provádějte nabíjení pouze v nabíječce, která je specifikovaná společností Kress. Nepoužívejte jinou nabíječku, než je nabíječka speciálně dodaná pro použití s tímto zařízením.**
- l) **Nepoužívejte žádnou baterii, která není určena pro použití s tímto zařízením.**
- m) **Ukládejte baterie mimo dosah dětí.**
- n) **Ušchovejte originální dokumentaci k tomuto výrobku pro budoucí odkazy.**
- o) **Není-li zařízení používáno, vyjměte z něj baterii.**
- p) **Provádějte řádnou likvidaci baterie.**
- q) **V zařízení nekombinujte bateriové články různého data výroby, kapacity, velikosti nebo typu.**
- r) **Baterii uchovávejte dál od mikrovlnných trub a vysokého tlaku.**
- s) **Varování! Nepoužívejte jednorázové baterie.**

NÁVOD K OBSLUZE, POŽADAVKY NA BEZŠŤŮROVÝ VÝROBEK

- a) **Používání tohoto zařízení podléhá následujícím dvěma podmínkám:**
 - (1) Toto zařízení nesmí způsobovat škodlivé rušení a
 - (2) toto zařízení musí přijímat jakékoli rušení, které přijme, včetně rušení, které může způsobit nežádoucí provoz.
- b) **Upozornění:** Změny nebo úpravy této jednotky, které nebyly výslovně schváleny stranou, která je zodpovědná za splnění předpisů, by mohly zneplatnit uživateli pravomoc toto zařízení používat.
- c) **POZNÁMKA:** Toto zařízení vytváří, používá a může také vyzařovat radiovou frekvenční energii a pokud nebude nainstalováno a používáno ve shodě s pokyny, může způsobovat škodlivé rušení radiových komunikací. Neexistuje však záruka, že se rušení nevyskytne v konkrétní instalaci. Pokud toto zařízení přece jen způsobí škodlivé rušení rádiovému nebo televiznímu příjmu, což může být zjištěno vypnutím a opětovným zapnutím zařízení, tak uživatelí doporučujeme, aby zkusil rušení upravit jedním nebo více z následujících opatření:
 - Přeorientovat nebo přemístit přijímací anténu.

- Zvýšit prostor mezi zařízením a přijímačem.
- Zařízení zapojit do zásuvky na okruhu jiném, než ke kterému je připojen přijímač.
- Požádejte o pomoc prodejce nebo zkušeného rádiového/televizního technika.

	Vysoká rychlost
	Nízká rychlost
	Akumulátor Li-Ion. Tento výrobek byl označen symbolem „tříděný odpad“ pro všechny jednotlivé a složené akumulátory. Proto musí být s ohledem dopadu na životní prostředí po dosloužení recyklován nebo demontován. Akumulátory obsahují nebezpečné látky, proto mohou být nebezpečné pro životní prostředí a lidské zdraví.
	Vysloužilé elektrické přístroje nevyhazujte společně s domovním odpadem. Nářadí recyklujte ve sběrnách k tomu účelu zřízených. O možnostech recyklace se informujte na místních úřadech nebo u prodejce.

SYMBOLY

	Pro snížení nebezpečí vzniku zranění je třeba přečíst si tuto příručku.
	VAROVÁNÍ
	UPOZORNĚNÍ – Dávejte pozor na odmrštěné předměty - držte ostatní osoby mimo dosah.
	UPOZORNĚNÍ – Udržujte ruce a nohy v dostatečné vzdálenosti od čepelí.
	UPOZORNĚNÍ – Před provedením údržby odpojte baterii.
	Čepel se otáčí i po vypnutí motoru. Než se dotknete některé součásti stroje, počkejte, dokud se úplně nezastaví.
	Používejte ochranné rukavice
	Před prováděním jakéhokoli seřizování, servisu nebo údržby vyjměte baterii ze zásuvky.
	Akumulátory se mohou při nesprávném způsobu likvidace dostat do systému koloběhu vody, což může ohrozit vlastní ekosystém. Dosloužilé akumulátory nelikvidujte jako netříděný komunální odpad.
	Nevystavujte ohni

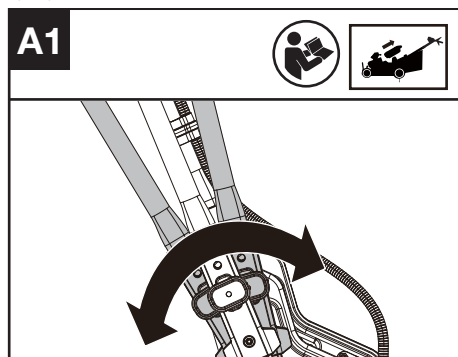
SESTAVENÍ A POUŽÍVÁNÍ

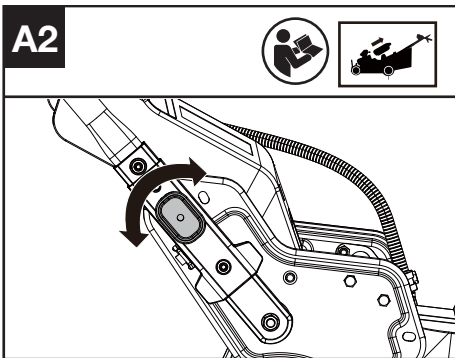
POZNÁMKA: Před použitím přístroje si pečlivě přečtete návod k obsluze.

PŘED POUŽITÍM

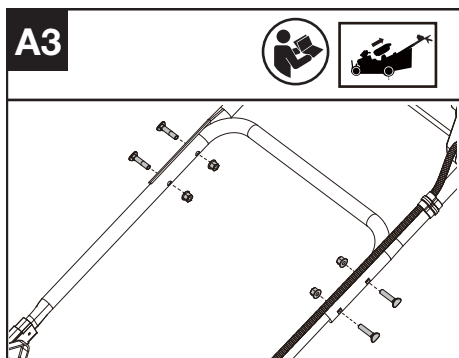
Nastavení výšky rukojeti a montáž dolních rukojetí. (viz obr. A1, A2)

Možnost volby ze tří výškových úrovní. Vyberte vhodnou výšku a otočte knoflíkem pro nastavení výšky.

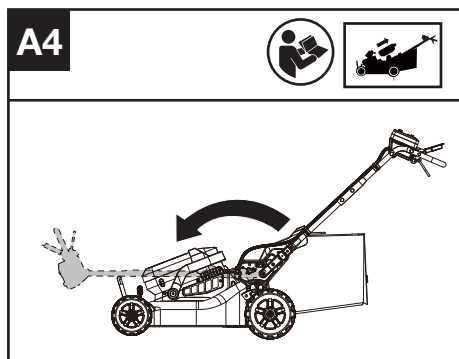




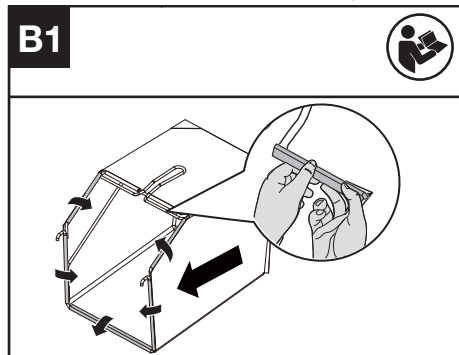
Sestavení horního madla. (viz obr. A3)



POZNÁMKA: Rukojeti lze sklopit pro přepravu nebo skladování mimo sezónu. (viz obr. A4)



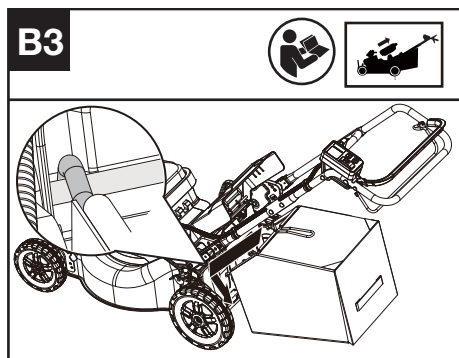
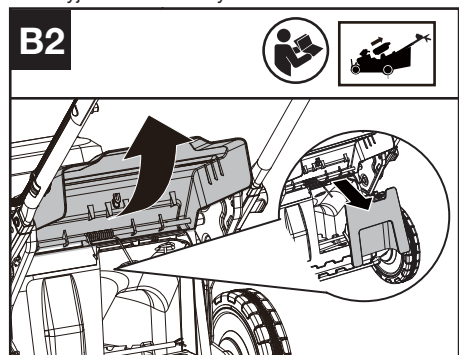
Montáž sběrného vaku na trávu (viz obr. B1)

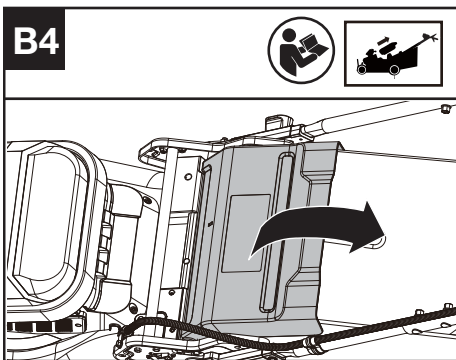


Nasazení sběrného vaku na trávu na sekačku (viz obr. B2,B3,B4)

POZNÁMKA: Sběrný vak na trávu mírně stlačte, abyste se ujistili, že je zcela nasazen.

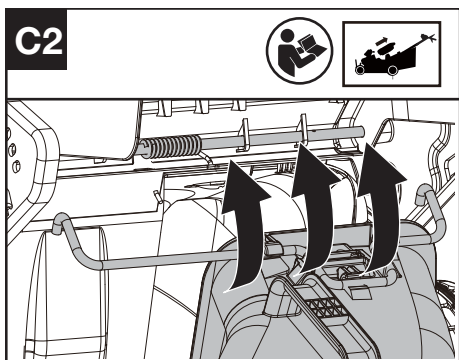
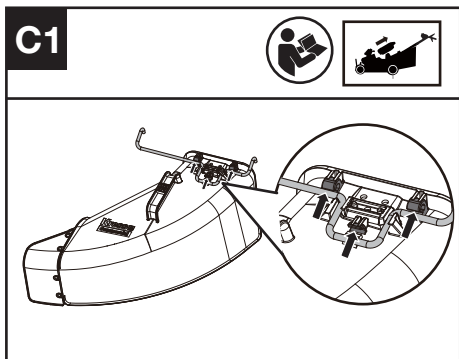
POZNÁMKA: Před nasazením sběrného vaku na trávu vyjměte ze sekačky mulčovací zátku.





Nasazení bočního výsypného skluzu na sekačku (viz obr. C1, C2)

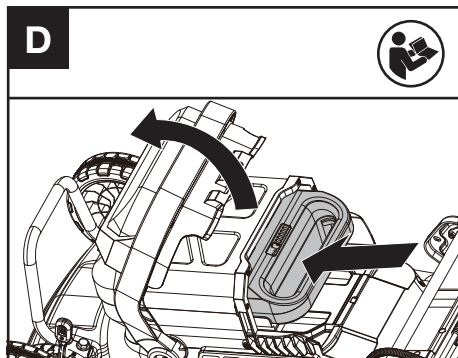
POZNÁMKA: Předtím, než sestavíte boční výsypný skluz vyjměte zástrčku mulčovacího části ze sekačky a vyjměte sběrný vak na trávu.



Kontrola stavu baterie a nabíjení baterie.

POZNÁMKA: Baterie jsou dodávány nenabitě. Před prvním použitím musí být baterie plně nabitá. Více podrobností naleznete v návodu k baterii a nabíječe.

Vložení/vyjmutí baterie (viz obr. D)



Kontrola ovládacích prvků

1. Vyjměte baterii.
2. Zkuste stisknout vypínač, startovací tlačítko nebo tlačítko ovládání rychlosti sekání. Pokud se vypínač, tlačítko pro spuštění čepel nebo tlačítko ovládání rychlosti sekání zasekne a nevrátí se do původní polohy, přestaňte sekačku používat a kontaktujte servisního technika.
3. Zkuste zatáhnout a uvolnit ovládací a pojezdové madlo. Pokud se ovládací nebo pojezdové madlo zasekne a nevrátí se do původní polohy, přestaňte sekačku používat a kontaktujte servisního technika.
4. Otočte knoflíkem pro ovládání rychlosti pojezdu. Pokud se knoflík pro ovládání rychlosti pojezdu zasekne, přestaňte sekačku používat a kontaktujte servisního technika.

Kontrola displeje (viz obr. E)

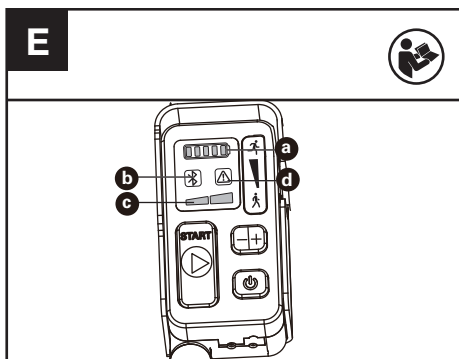
1. Vložte baterii.
2. Držte stisknutý vypínač a rozsvítí se kontrolka baterie (a) a kontrolka rychlosti sekání (c).
3. Stisknutím startovacího tlačítka a zatáhnutím za ovládací madlo stroj spustíte.
4. Pokud se výstražný indikátor (d) bliká, vyhledejte řešení v části **Hledání závad**.
5. Uvolněte ovládací madlo. Po krátké prodlevě se čepel přestane otáčet. Pokud se sekačka nevykype, vyjměte baterii a kontaktujte servisního technika.

LED kontrolky

- | | |
|----|----------------------------|
| a. | KONTROLKA BATERIE |
| b. | KONTROLKA BLUETOOTH |
| c. | KONTROLKA RYCHLOSTI SEKÁNÍ |
| d. | VAROVNÁ KONTROLKA |

POZNÁMKA: Když se u stroje objeví porucha funkce, tak bude výstražná kontrolka blikat červeně nebo žlutě. Pokud bliká červená kontrolka, tak vyhledejte odbornou pomoc u prodejce. Pokud bliká žlutá kontrolka, tak stroj vypněte, vyjměte bateriovou sadu, potom ji znovu vložte a stroj zapněte. Pokud

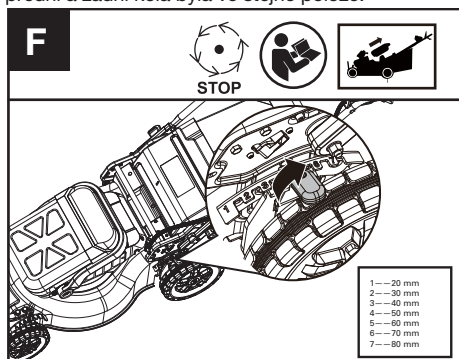
bude žlutá kontrolka blikat dál, tak vyhledejte odbornou pomoc u prodejce.



Nastavení výšky sekání (viz obr. F)

Výšku sekání nastavte pomocí páček pro nastavení výšky sekání na předním a zadním kole.

POZNÁMKA: Při seřizování výšky zajistěte, aby přední a zadní kola byla ve stejné poloze.



UPOZORNĚNÍ! Zastavte, uvolněte spínací páčku a počkejte, dokud se motor nezastaví předtím, než upravíte výšku. Nože se otáčejí i po vypnutí sekačky a mohou způsobit poranění. Nedotýkejte se rotujících nožů.

POUŽÍVÁNÍ

Spuštění a vypnutí sekačky (viz obr. G)

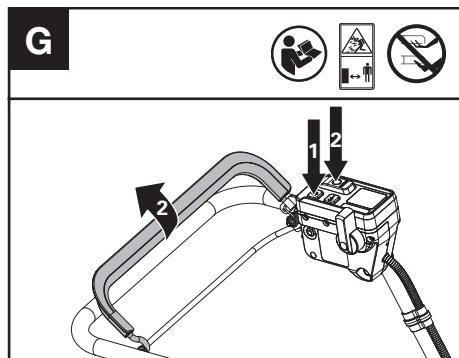
1. Stiskněte vypínač
2. Stroj spusťte stisknutím tlačítka spuštění sekačičko a současně zatáhněte za ovládací madlo.
3. Uvolněním ovládacího madla stroj zastavíte.

VÝSTRAHA! Po vypnutí sekačky se čepel nadále otáčí; počkejte, dokud se zcela nezastaví.

POZNÁMKA: Pro spuštění stiskněte startovací tlačítko a současně zatáhněte za ovládací madlo.

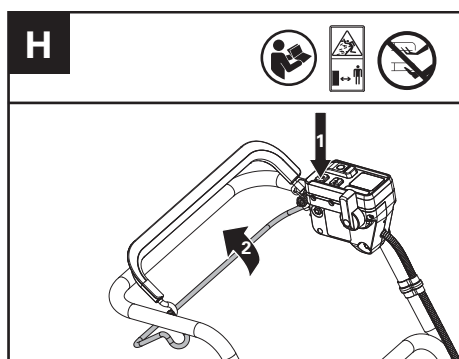
POZNÁMKA: Držte stisknutý vypínač a rozsvítí se displej. Displej se automaticky vypne, pokud během

60 vteřin nedojde k žádné akci.

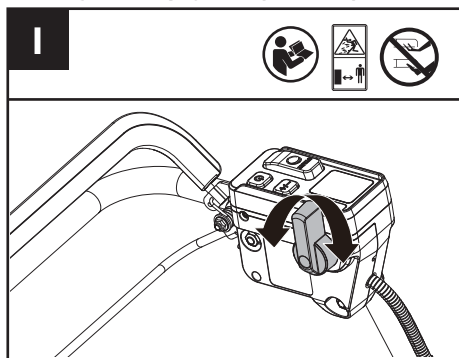


Použití jezdového systému (viz obr. H)

1. Stiskněte vypínač
2. Zatáhnutím za madlo jezdzu spustíte jezdový systém.
3. Uvolněním madla jezdzu jezdový systém zastavíte.



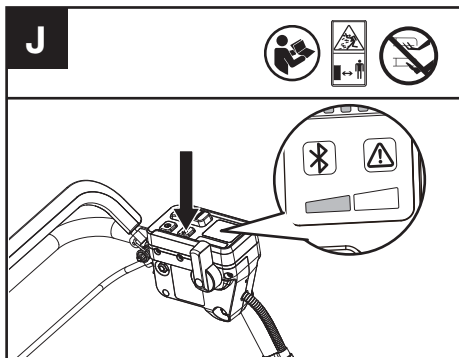
Volba rychlosti jezdzu (viz obr. I)



Volba rychlosti sekání (viz obr. J)

V závislosti na použití lze zvolit ze dvou úrovní

rychlosti sekání. Použijte tlačítko +/- pro ovládání rychlosti, která je indikována LED kontrolkami. Čím vyšší je úroveň rychlosti sekání, tím rychleji přístroj pracuje.



TIPY PRO SEKÁNÍ S MULČOVÁNÍM

Během mulčování sekačka drtí posekanou trávu na drobné kousky, které rozhazuje do trávníku. Za normálních okolností se tyto kousky rychle rozloží a vyživují trávník.

Optimálního výkonu mulčování dosáhnete při dodržování níže uvedených doporučení.

- 1) Vyhněte se sekání trávy, když je tráva mokrá od deště nebo rosy. Mokrý tráva může vytvářet chuchvalce, které narušují mulčovací činnost a zkracují dobu chodu.
- 2) Chcete-li dosáhnout nejlepšího výkonu mulčování, nastavte výšku sekání tak, abyste sekali nejvýše 40 mm, přibližně třetinu délky travního listu. Pokud je trávník přerostlý, bude možná nutné nastavení větší výšky sekání, aby nedošlo k přetížení motoru a aby nebylo tlačení sekačky příliš namáhavé. Při mulčování objemné travní hmoty doporučujeme nejprve nastavit maximální výšku sekání a potom při druhém průjezdu sekat na požadovanou výšku. Další možností je využít jen část šířky záběru a sekat pomalu.
- 3) Za účelem dosažení nejlepšího výkonu udržujte kryt sekačky na trávu bez nánosů trávy. Čas od času sekačku na trávu vypněte a počkejte, až se čepel úplně zastaví. Poté vyjměte baterii a otočte sekačku na bok. Pomocí předmětu, jako je např. klacek, odstraňte nahromaděnou trávu z okolí čepel. Dávejte pozor na ostré hrany čepel. Při sekání mokré nebo nové trávy a po každém použití přístroje vyčistěte okolí čepel.
- 4) Některé typy trávy nebo určité podmínky při sekání vyžadují, abyste posekanou plochu přejeli ještě jednou a sekačka mohla posekanou trávu rovnoměrně rozprostřít. Při druhém průjezdu doporučujeme sekat kolmo k prvnímu sekání. V ŽÁDNÉM PŘÍPADĚ NEMĚNTE SMĚR SEKÁNÍ TAK, ABYSTE MUSELI SEKAT SE SVAHU.
- 5) Každý týden jezděte se sekačkou po mírně odlišné trase. Tak zabráníte vytvoření obrazců v trávníku.
- 6) Nesekejte na svahu, který má větší sklon než 18°.

VELIKOST POSEKANÉ PLOCHY

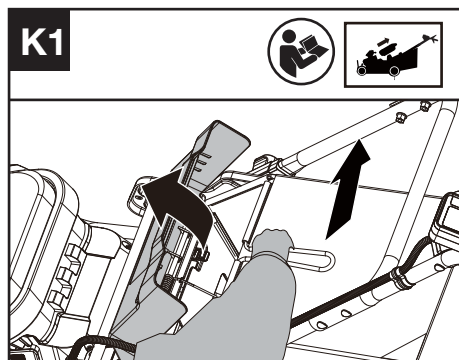
Velikost posekané plochy může být ovlivněna několika faktory, jako jsou výška sekání, vlhkost trávníku, délka stébel trávy a hustota trávy. Příliš časté spouštění a zastavování sekačky během sekání trávníku navíc způsobuje zmenšení velikosti posekané plochy.

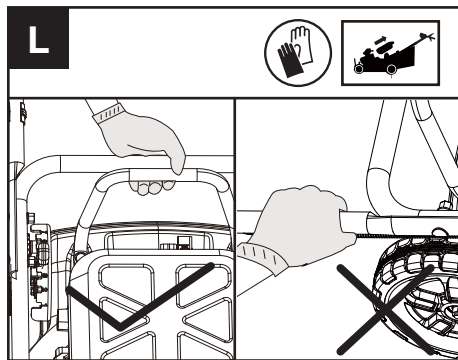
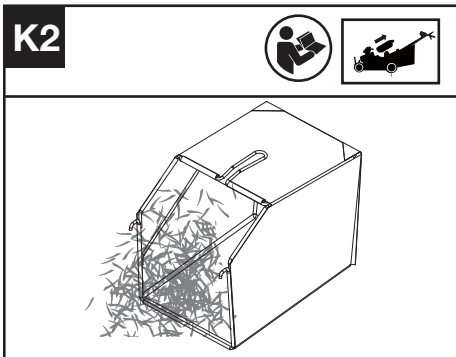
RADY:

- 1) Doporučujeme vám, abyste prováděli sekání trávníku v kratších intervalech, abyste chodili normálním tempem a abyste během práce často nespouštěli/nezastavovali tuto sekačku.
- 2) Pro dosažení nejlepších výsledků zajistěte, že baterie bude plně nabitá, a vždy sekejte nejvýše 1/3 délky trávy. Před začátkem sečné sezóny je doporučeno nainstalovat novou čepel.
- 3) Při sekání vysoké trávy choďte pomalu, aby bylo zaručeno efektivnější sekání a řádné odvádění posekané trávy.
- 4) Vyvarujte se sekání vlhké trávy, protože by docházelo k jejímu nalepování na spodní část žacího ústrojí a posekaná tráva by nemohla být řádně zachycována nebo odváděna.
- 5) U nového nebo hustého trávníku používejte větší výšku sekání, čímž prodloužíte pracovní dobu baterie.

Odejmutí/vyprázdnění sběrného vaku na trávu (viz obr. K1, K2)

! VÝSTRAHA! Před použitím vždy zkontrolujte, zda bezpečnostní klapka uzavřela výstupní otvor. Pokud používáte stroj bez připojeného sběrného vaku na trávu, nikdy nezvedejte bezpečnostní klapku a nevytahujte mulčovací zátku.





PRO AKUMULÁTOROVÁ NÁŘADÍ

Doporučený rozsah okolní teploty pro vybíjení je -20 °C~45 °C (-4 °F~113 °F).

Doporučený rozsah okolní teploty pro nabíjecí systém v průběhu nabíjení je -5 °C~45 °C (23 °F~113 °F).

Podrobnosti o bezpečném likvidaci použitých baterií:

Na konci životnosti nářadí bezpečně vyjměte bateriový sadu před likvidací nářadí. Baterie nevyhazujte, ani je neházejte do běžného odpadkového koše. Stejně tak nevyhazujte baterii s nářadím. Vyjměte použitou bateriovou sadu z nářadí a likvidujte ji v nejbližším nebo vhodném, označeném recyklačním zařízení. V případě pochybností se poraďte s místním úřadem pro ochranu životního prostředí. Pokud baterie nesprávně zlikvidujete, tak se baterie mohou dostat do koloběhu vody v přírodě, což může být nebezpečné pro ekosystém. Použité baterie nelikvidujte jako netříděný komunální odpad.

PŘEPRAVA

Přeprava sekačky

1. Sekačku vypněte a vyjměte baterii.
2. Při přepravě sekačky lze použít pojezd bez aktivace čepel.
3. Při zvedání sekačky se doporučuje, aby dvě osoby zvedly sekačku z každé strany za ochranný kryt motoru a spojovací oblast spodních rukojetí. Při zvednutí stroje ve složeném stavu, uchopte kryt motoru, ne madla. (viz obr. L)

Přeprava baterie

1. Zkontrolujte, zda je baterie v bezpečném stavu.
2. Při přepravě baterie používejte nevodivé obaly.
3. Obsažené Li-Ion baterie podléhají požadavkům legislativy týkající se nebezpečného zboží. Baterie přepravujte pouze v případě, že obal baterie není poškozen. Baterie zabalte tak, aby se v obalu nemohly pohybovat.

ÚDRŽBA



VÝSTRAHA! Před odejmutím sběrného vaku na trávu vypněte sekačku a vyjměte baterii.

POZNÁMKA: Z důvodu dosažení dlouhé životnosti a vysoké spolehlivosti provádějte pravidelně níže popsanou údržbu. Kontrolujte jakékoli odchylky od normálu, například uvolněné, posunuté nebo poškozené nože, povolené spojovací prvky a poškozené nebo nadměrně opotřeбенé součásti. Zkontrolujte, zda jsou kryty a ochrany bez poškození a zda jsou upevněny na správné místo na sekačce. Potřebnou údržbu nebo opravu proveďte ještě před použitím sekačky. Pokud sekačka nefunguje i při provádění pravidelné údržby, kontaktujte naši podporu zákazníků.

OSTŘENÍ ČEPELE

PRO DOSAŽENÍ NEJLEPŠÍCH VÝSLEDKŮ ÚDRŽUJTE ČEPEL OSTRŮU. TUPÁ ČEPEL NESEKÁ TRÁVU ČISTĚ A ŘÁDNĚ NEMULČUJE. PŘI VYJÍMÁNÍ, OSTŘENÍ A INSTALACI ČEPELE NOSTE OCHRANNÉ BRÝLE A RUKAVICE.

POZNÁMKA: Po každých 50 hodinách čepel naostřete nebo vyměňte. Písek otupuje čepel. Pokud má váš trávník písčitou půdu, budete možná třeba častěji naostřovat nebo vyměňovat čepel.

POŠKOZENOU NEBO OHNUTOU ČEPEL IHNED VYMĚŇTE.

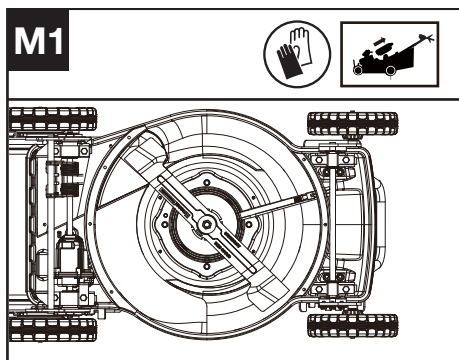
OSTŘENÍ ČEPELE

1. Abyste zabránili otáčení čepel, použijte dřevěný blok.
2. Pomocí klíče vyjměte šroub čepel a poté čepel. (viz sekce Vyjmutí čepel)
3. Upněte čepel do svěráku, abyste zabránili jejímu

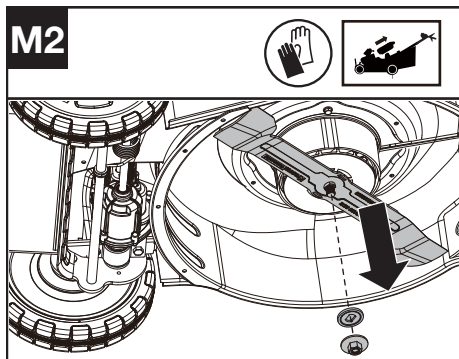
- pohybu během ostření.
- Naostřete řezné hrany na obou koncích čepel.
 - Ujistěte se, že je z obou konců odstraněno stejné množství materiálu, aby byla čepel vyvážená.
 - Zkontrolujte vyváženost čepel. (viz sekce Vyváženost čepel)
 - Čepel vyměňte v opačném pořadí než při demontáži.
 - Šroub čepel utáhněte na požadovaný utahovací moment (25 Nm).

POZNÁMKA:

- Ujistěte se, že je sekačka vypnutá, a vyjměte baterii.
- Otočte sekačku na bok, jak je znázorněno na obrázku M1.

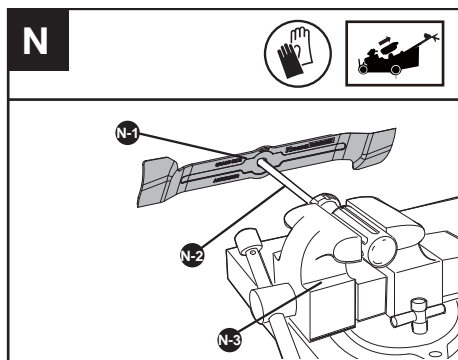


VMJMUTÍ ČEPELE (VIZ OBR. M2)



VMVÁŽENÍ NOŽE (VIZ OBR. N)

Zkontrolujte vyvážení nože zavěšením za středový otvor N-1 na dřík šroubováku N-2 upnutý ve vodorovné poloze do svěráku N-3. Pokud jeden nebo druhý konec nože klesá dolů, obruste jej. Nůž je správně vyvážen, když ani jeden konec neklesá.



VÝMĚNA ČEPELE

-S ohledem na různé pracovní podmínky doporučujeme používat různé čepel.

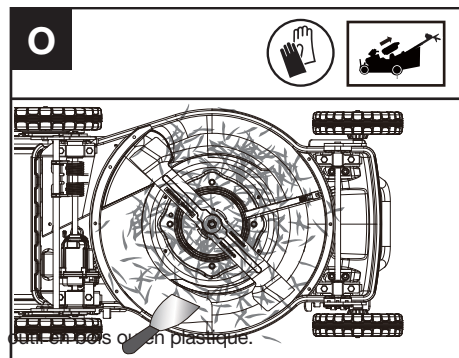
ČEPEL	FUNKCE
Vysokozdvízná čepel	Doporučeno pro pytlování
Mulčovací čepel	Doporučeno pro mulčování

ČIŠTĚNÍ

- Vypněte sekačku a vyjměte baterii.
- Nepoužívejte agresivní čisticí prostředky ani rozpouštědla. Přístroj čistěte po použití navlhčeným hadříkem, namočeným v neutrálním čisticím přípravku.
- Zásuvku udržujte čistou bez cizích látek a čistěte ji měkkým a suchým kartáčem nebo hadříkem.
- Na motor a elektrické součásti nestříkejte vodu.
- Na čištění přístroje nepoužívejte vysokotlaký čistič.

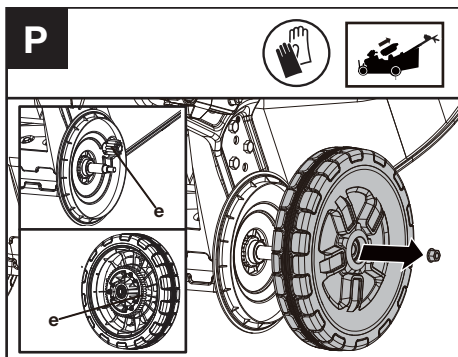
Čištění šasi a oblasti čepel. (viz obr. O)

Odstranění trávy a nečistot z šasi a oblasti čepel. Pokud je v této části nahromaděná tráva, odstraňte ji dřevěným nebo plastovým předmětem.



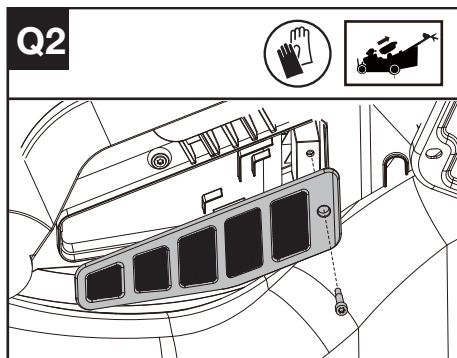
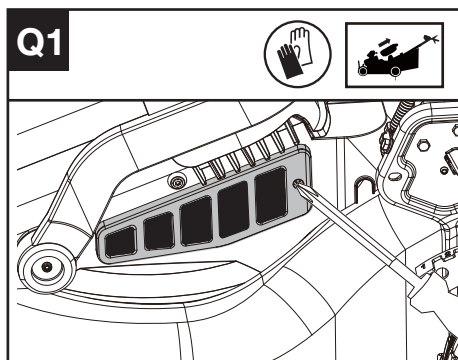
Čištění koleček. (viz obr. P)

- Vypněte sekačku a vyjměte baterii.
- Čištění koleček provádějte každých 50 hodin, v extrémních podmínkách ještě častěji.
- Odstraňte zadní kolečka a odstraňte trávu a nečistoty z oblasti převodového ústrojí zadních koleček.
- Po čištění se doporučuje na ozubená kola nanést malé množství prostředku proti zadření.



Čištění vzduchového filtru (viz obr. Q1, Q2)

1. Vyčistěte oblast kolem vzduchového filtru. Použijte vlhký hadřík nebo měkký kartáč.
2. Odšroubujte a vyjměte vzduchový filtr.
3. Omyjte vzduchový filtr tekoucí vodou, abyste odstranili nečistoty.
4. Nechte vzduchový filtr vyschnout na vzduchu. A poté jej nainstalujte do skříně a utáhněte šroub.



SKLADOVÁNÍ

1. Vypněte sekačku a vyjměte baterii.
2. Za pomoci měkkého kartáčku a hadru řádně vyčistěte vnějšek stroje. Nepoužívejte rozpouštědla ani leštěnky. Odstraňte všechnu trávu a nečistoty, zvláště z větracích otvorů, mulčovací desky, oblasti čepele a kol.
3. Stroj uskladněte na suchém místě, kde bude mimo dosah dětí a ostatních nepovolaných osob. Na horní část stroje nepokládejte žádné jiné předměty.
4. Pro lepší uskladnění rukojeť sklopte.
5. Baterii skladujte pouze v teplotním rozmezí od 5 °C (41 °F) do 25 °C (77 °F). Například nenechávejte baterii v automobilu během letního období.
6. Pokud zmokne během použití v dešti, stroj a baterie by měly být vysušeny před skladováním nebo nabíjením. Vyjměte baterie a znovu je vložte, pokud se nezdaří přístroj zapnout.

HLEDÁNÍ ZÁVAD

Následující tabulka uvádí problémy a úkony, které můžete provést, pokud stroj nefunguje správně.




VÝSTRAHA: Před jakýmkoli odstraňováním závad stroj vypněte a vyjměte baterii.

PŘÍZNAKY	NÁPRAVA
1. Sekačka nebude fungovat, když bude aktivována spínací páčka.	A. Zkontrolujte, zda je startovací tlačítko zcela stisknuto. B. Uvolněním ovládacího madla vypněte sekačku. Vyjměte baterii, sekačku otočte na bok a zkontrolujte, zda se čepel může volně otáčet. Pokud ne, obraťte se na autorizovaného servisního technika. Čepel by se měla volně otáčet. C. Je baterie plně nabitá? Zapojte nabíječku a počkejte, až se rozsvítí zelená kontrolka. D. Pro spuštění stiskněte startovací tlačítko a současně přitáhněte ovládací madlo.
2. Motor se během sekání zastavuje.	A. Uvolněním ovládacího madla vypněte sekačku. Vyjměte baterii, otočte sekačku na bok a zkontrolujte, zda není sekačka ucpaná zbytky trávy, odstraňte nečistoty z oblasti otáčení čepel. Poté zkontrolujte, zda se čepel může volně otáčet. Pokud ne, obraťte se na autorizovaného servisního technika. Čepel by se měla volně otáčet. B. Zvětšete výšku sekání nastavením žacího ústrojí do nejvyšší možné polohy a spusťte sekačku. C. Byla baterie zcela nabitá? Připojte nabíječku a počkejte, až se rozsvítí zelená kontrolka. D. Vyvarujte se přetížení sekačky. Snižte rychlost sekání nebo zvyšte polohu žacího ústrojí. Nebo obojí.
3. Sekačka běží, ale výkon sečení není uspokojivý. Nebo neposeče celou rozlohu trávníku.	A. Byla baterie zcela nabitá? Připojte nabíječku a počkejte, až se rozsvítí zelená kontrolka. B. Uvolněním ovládacího madla vypněte sekačku. Vyjměte baterii. Otočte sekačku na bok a zkontrolujte: Zda je čepel ostrá – udržujte čepel ostrou. Zda nejsou kryt a vývodní žlab ucpané. C. Žací ústrojí může být nastaveno příliš nízkou výškou vzhledem k stavu trávníku. Zvětšete výšku žacího ústrojí.
4. Sekačka se těžko tlačí.	A. Zvětšete výšku žacího ústrojí, aby se snížil tlak žacího ústrojí na trávu. Zkontrolujte, zda se volně otáčí každé kolečko.
5. Sekačka je velmi hlučná a vibruje.	A. Uvolněním ovládacího madla vypněte sekačku. Vyjměte baterii. Sekačku otočte na bok a zkontrolujte, zda není čepel ohnutá nebo poškozená. Pokud je čepel poškozená, vyměňte ji za náhradní čepel. Pokud je spodní strana krytu poškozená, vraťte sekačku do autorizovaného servisního centra. B. Pokud není čepel viditelně poškozená a sekačka stále vibruje: Uvolněním ovládacího madla sekačku vypněte, vyjměte baterii a čepel. Otočte čepel o 180 ° a znovu utáhněte. Pokud sekačka stále vibruje, vraťte ji do autorizovaného servisního centra.
6. LED indikátor nabíječky nesvítí.	A. Zkontrolujte připojení zástrčky. B. Nabíječku vyměňte.
7. Kontrolka LED nabíječky akumulátorů se nepřepne na zelenou.	A. Je nutné provést diagnostiku akumulátoru. obraťte se na autorizované servisní středisko.

8. Sekačka nesbírá posečenou trávu do sběrného vaku.	A. Zadní žlab je ucpaný. Uvolněním ovládacího madla vypněte sekačku. Vyměňte baterii. Vyčistěte žlab od zbytků trávy. B. Přiliš mnoho trávy. Zvyšte sečnou výšku kol, abyste zkrátili délku useknuté trávy. C. Plný sběrný vak. Vyprazdňujte sběrný vak častěji.
9. Při mulčování jsou useknuté části viditelné.	A. Bylo nastaveno sekání příliš velké části stonků trávy. Zvětšete výšku žacího ústrojí, aby došlo ke zkrácení ustřížené části trávy. Nesekejte více jak 1/3 celkové délky. B. Zkontrolujte, zda jsou sekací nože ostré. Nože mějte vždy nabroušené. C. Pokud je tráva příliš vysoká nebo hustá, snižte rychlost sečení.
10. Po více použitích nízká nebo zkrácená doba chodu.	A. Výrobek vraťte do autorizovaného servisního střediska – může být potřeba instalovat nový akumulátor.
11. Varovná kontrolka bliká.	A. Vypněte stroj a vyjměte bateriovou sadu, potom ji znovu vložte a stroj zapněte. B. Kontaktujte servisního technika.

TECHNICKÉ ÚDAJE

Typ: **KC720 KC720.X (720-označení strojů, zástupce sekačky s vyztuženou ocelovou deskou SP)**

	KC720 KC720.X **	
Napětí	60V  Max***	
Materiál šasi	Vyztužená ocel -1.8 mm	CZ
Šířka záběru	47 cm	
Maximální rychlost pojezdu	6.4 km/h	
Výška sekání	20-80 mm	
Polohy výšky sekání	7	
Sběrný vak na trávu	70 L	
Stupeň ochrany	IPX4	
Doba chodu	70min@11Ah****	
Hmotnost přístroje (samotný přístroj)	38 kg	

** X = 1-999, A-Z, M1-M9 jsou pouze pro různé zákazníky, mezi těmito modely neexistují žádné změny související s bezpečností.

*** Napětí měřené bez zátěže. Počáteční napětí baterie dosáhne maximálně 60 voltů. Jmenovité napětí je 54 voltů.

**** Doba chodu přístroje se může různit v závislosti na způsobu jeho používání a stavu trávy. Zvolená úroveň rychlosti sekání ovlivňuje dobu provozu baterie. Čím nižší je úroveň rychlosti sekání, tím delší je doba provozu.

NAVRHOVANÉ BATERIE A NABÍJENÍ

Baterie	Kapacita	Nabíječka baterií	Amperage
KAC810	11 Ah	KAC840	30 A


Doporučujeme, abyste si zakoupili své příslušenství u stejného prodejce, u kterého jste zakoupili tento stroj. Podívejte se na obal příslušenství ohledně dalších podrobností. Váš prodejce vám může pomoci a poskytnout radu.

TECHNICKÉ ÚDAJE AKUMULÁTORU (VOLITELNÉ)

Frekvenční pásma Bluetooth	2400-2483.5 MHz
Maximální přenášený výkon Bluetooth	8 dBm

INFORMACE TÝKAJÍCÍ SE HLUČNOSTI

Měřený akustický tlak	$L_{pA} = 83.2 \text{ dB(A)}$
K_{pA}	3 dB(A)
Měřený akustický výkon	$L_{wA} = 95.84 \text{ dB(A)}$
K_{wA}	0.65 dB(A)

Používejte ochranu sluchu. 

INFORMACE TÝKAJÍCÍ SE VIBRACÍ

Typická naměřená hodnota vibrací	$a_{h1} < 2.5 \text{ m/s}^2$
Kolísání	$K = 1.5 \text{ m/s}^2$

VAROVÁNÍ: Úroveň vibrací při aktuálním použití elektrického nářadí se může lišit od deklarované hodnoty v závislosti na způsobu, jakým je nářadí používáno, v závislosti na následujících příkladech a na jiných variantách toho, jak je nářadí používáno:

Jak je nářadí používáno a jaké materiály budou řezány nebo vrtány.

Nářadí musí být v dobrém stavu a musí být prováděna jeho řádná údržba.

S nářadím musí být používáno správné příslušenství, a toto příslušenství musí být ostré a v dobrém stavu.

Těsný úchop na rukojetích a kontrola, je-li vůbec použito antivibrační příslušenství.

Toto nářadí může být použito pouze pro určené účely a podle těchto pokynů.

Není-li toto nářadí používáno odpovídajícím způsobem, může způsobit syndrom nemoci způsobené působením vibrací na ruce a paže obsluhy.

VAROVÁNÍ: Chcete-li být přesní, odhad doby působení vibrací v aktuálních podmínkách při použití tohoto nářadí by měl brát v úvahu také všechny části pracovního cyklu, jako jsou doby, kdy je nářadí vypnuto a kdy je v chodu ve volnoběžných otáčkách, ale ve skutečnosti neprovádí žádnou práci

. Doba působení vibrací tak může být během celkové pracovní doby značně zkrácena.

Pomozte minimalizovat dobu působení vibrací na obsluhu.


VŽDY používejte ostré sekáče, vrtáky a nože.

Provádějte údržbu tohoto nářadí podle těchto pokynů a zajistěte jeho řádné mazání (je-li to vhodné).

Musíte-li toto nářadí používat pravidelně, investujte do antivibračního příslušenství.

Vypracujte si svůj plán práce, abyste působení vysokých vibrací tohoto nářadí rozdělili do několika dnů.

OCHRANA ŽIVOTNÍHO PROSTŘEDÍ

 Nepotřebné elektrické přístroje by neměly být vyhazovány společně s odpadem z domácnosti. Nářadí recyklujte ve sběrných zřízeních k tomuto účelu. O možnostech recyklace se informujte na místních úřadech nebo u prodejce.

PROHLÁŠENÍ O SHODĚ

My,
Positec Germany GmbH
Postfach 680194, 50704 Cologne, Germany

Jménem společnosti Positec prohlašujeme, že výrobek
Popis **Bateriově napájená sekačka na trávu**
Typ **KC720 KC720.X (720-označení strojů,**
zástupce sekačky s vyztuženou ocelovou deskou
SP)
Funkce **sekání trávy**

splňuje požadavky následujících směrnic,
2006/42/EC, 2014/30/EU, 2011/65/EU & (EU)
2015/863, 2000/14/EC upravená směrnici 2005/88/
EC

2000/14/EC upravená směrnici 2005/88/EC:
- Postup posuzování shody podle **Dodatek VI**
- Měřená úroveň akustického výkonu **95.84 dB (A)**
- Deklarovaná zaručená úroveň akustického výkonu
96 dB (A)

Pověřený úřední orgán
Název: TÜV Rheinland LGA Products GmbH
(úřední vyhláška 0197)
Adresa: Tillystraße 2-90431 Nürnberg

Použité normy,
EN 62841-1, EN IEC 62841-4-3, EN ISO 3744, EN
IEC 55014-1, EN IEC 55014-2, EN IEC 63000

Osoba odpovídající za vytvoření technické
dokumentace,
Jméno Marcel Filz
Adresa Positec Germany GmbH
Postfach 680194, 50704 Cologne, Germany



2024/02/05
Allen Ding
Zástupce vrchní konstrukční kanceláře,
Testování & Certifikace
Positec Technology (China) Co., Ltd
18, Dongwang Road, Suzhou Industrial
Park, Jiangsu 215123, P. R. China

CZ

OBSAH

Úvod.....	210
Zoznam súčastí.....	212
Bezpečnosť výrobku.....	213
Montáž a obsluha.....	216
Preprava.....	221
Údržba	222
Čistenie.....	223
Skladovanie.....	224
Odstraňovanie problémov.....	225
Technické údaje.....	226
Ochrana životného prostredia.....	227
SK Vyhlásenie o zhode.....	228

ÚVOD

Vážení zákazníci,

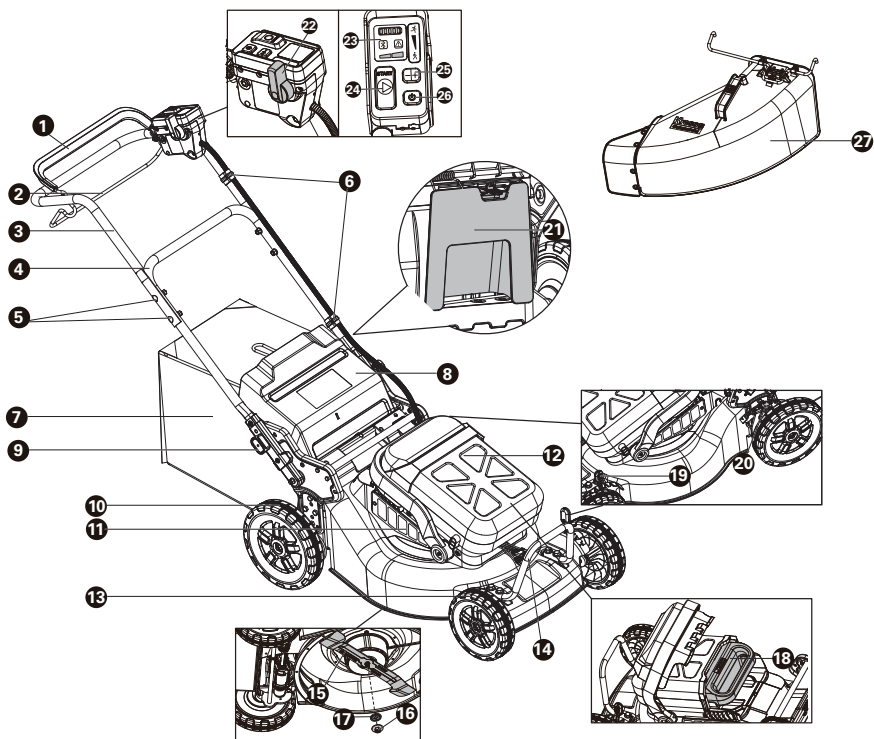
ďakujeme Vám, že ste si kúpili tento výrobok Kress Commercial. Venujeme sa vývoju vysoko kvalitných výrobkov, ktoré vyhovujú vašim komerčným požiadavkám na terénne úpravy.

Značka Kress je synonymom pre prvotriedne služby. Ak budete mať v priebehu celej životnosti vášho výrobku akékoľvek otázky alebo obavy týkajúce sa vášho výrobku, kontaktujte svojho predajcu alebo náš tím zákazníckych služieb so žiadosťou o pomoc.

Sme si istí, že sa vám v nasledujúcich rokoch bude práca s výrobkom Kress páčiť.

POUŽÍVANIE PODĽA URČENIA

Tento výrobok je určený na komerčné kosenie trávnikov.



SK

ZOZNAM SÚČASTÍ

1. OVLÁDACIA OBLÚKOVÁ RUKOVÄŤ (ZÁBER NOŽA KOSAČKY)
2. ZASÚVACIA OBLÚKOVÁ RUKOVÄŤ SAMOHYBNÉHO SYSTÉMU
3. HORNÁ RUKOVÄŤ
4. DOLNÁ RUKOVÄŤ
5. SPOJOVACIE PRVKY RUKOVÄTE
6. KÁBLOVÁ SVORKA
7. VAK NA ZBER TRÁVY
8. BEZPEČNOSTNÁ Klapka
9. OTOČNÝ GOMBÍK NA NASTAVENIE VÝŠKY
10. ZADNÉ KOLESO
11. VZDUCHOVÝ FILTER
12. KRYT PRIEHRADKY NA BATÉRIU
13. PREDNÉ KOLESO
14. OCHRANNÝ KRYT MOTORA
15. NŮŽ
16. SKRUTKA NA UPEVNIENIE NOŽA
17. VYMEDZOVACIA VLOŽKA
18. BATÉRIOVÝ BLOK*
19. PREDNÁ PÁČKA NA NASTAVENIE VÝŠKY KOSENIA
20. ZADNÁ PÁČKA NA NASTAVENIE VÝŠKY KOSENIA
21. MULČOVACIA ZÁTKA
22. OVLÁDANIE RÝCHLOSTI SAMOHYBNÉHO SYSTÉMU
23. SVETELNÉ LED KONTROLKY
24. TLAČIDLO SPUSTENIA NOŽA KOSAČKY
25. OVLÁDANIE OTÁČOK KOSENIA
26. VYPÍNAČ
27. BOČNÝ VÝSYPNÝ ŽL'AB*

* Nie všetko zobrazené alebo popisované príslušenstvo je súčasťou štandardnej dodávky.

PŔVODNÝ NÁVOD NA POUŽITIE BEZPEČNOSŤ VÝROBKU VŠEOBECNÉ BEZPEČNOSTNÉ UPOZORNENIA



VAROVANIE Prečítajte si všetky bezpečnostné varovania, pokyny, zoznámte sa s ilustráciami a technickými údajmi dodanými s týmto elektrickým náradím.

Nedodržanie akýchkoľvek nižšie uvedených pokynov môže mať za následok úraz elektrickým prúdom, vznik požiaru alebo vážneho úrazu.

Odložte si všetky varovania a inštrukcie pre budúcu potrebu.

Výraz „elektrické ručné náradie“ vás vo varovaniach odkazuje buď na náradie na elektrický pohon (napájané z elektrickej siete) alebo na akumulátorové náradie (napájané z akumulátora).

1) Bezpečnosť na pracovisku

- Udržujte pracovisko čisté a dobre osvetlené.** Pracovisko plné nepotrebných predmetov alebo slabo osvetlené zvyšuje možnosť úrazu.
- Nepoužívajte elektrické ručné náradie v prostredí náchylnom na explóziu, ako napríklad v prítomnosti horľavých tekutín, plynov alebo prachu.** Elektrické ručné náradie vytvára iskry, ktoré môžu vznietiť prach alebo výpary.
- Udržujte deti a prizerajúcich sa v dostatočnej vzdialenosti pri práci s elektrickým ručným náradím.** Strata pozornosti môže viesť k strate kontroly nad náradím.

2) Bezpečnosť pri práci s elektrinou

- Prípojky elektrického ručného náradia musia byť zhodné so zástrčkami.** Nemoďifikujte prípojku žiadnym spôsobom. Nepoužívajte spolu s uzemneným ručným náradím žiadne adaptérové prípojky, ktoré neumožňujú ochranu uzemnením. Pôvodné prípojky a k nim prislúchajúce zástrčky znižujú riziko úrazu elektrickým prúdom.
- Vyhýbajte sa kontaktu s uzemnenými povrchmi, ako napríklad rúrkami, radiátormi, sporákmi a chladničkami.** Keď je vaše telo spojené s uzemneným predmetom alebo stojí na uzemnenom území, je zvýšené riziko elektrického šoku.
- Zariadenie nepoužívajte v daždi alebo v mokrých podmienkach.** Môže to zvýšiť riziko zásahu elektrickým prúdom
- Nezaobchádzajte s káblom prípojky necitlivo.** Nikdy si nepriťahuje elektrické ručné náradie k sebe pomocou kábla, neťahajte ho za sebou pomocou kábla a nevytrhávajte kábel zo zástrčky aby ste ručné náradie vypli. Nevystavujte kábel

vysokým teplotám, oleju, ostrým hranám alebo pohyblivým časťami. Poškodené alebo zamotané káble môžu viesť k zvýšenému riziku elektrického šoku.

- Pri práci s ručným náradím v exteriéri použite predĺžovací kábel vhodný na použitie v exteriéri.** Použitím kábla vhodného na použitie v exteriéri redukuje riziko vzniku elektrického šoku.
 - Použite osoba s ručným náradím vo vlhkých podmienkach nevyhnutná, použite napájanie chránené ističom typu prúdový chránič (RCD).** Použitie RCD ističa redukuje riziko vzniku elektrického šoku.
- Osobná bezpečnosť**
 - Buďte sústredení, sledujte, čo robíte, a pri práci s ručným náradím sa riadte zdravým rozumom.** Nepoužívajte ručné náradie, keď ste unavení alebo pod vplyvom omamných látok, alkoholu alebo liekov. Moment nepozornosti pri práci s ručným náradím môže viesť k vážnemu osobnému zraneniu.
 - Použite osobné ochranné pomôcky. Vždy noste ochranu očí.** Ochranné pomôcky, ako napríklad protiprachová maska, topánky s protišmykovou podrážkou alebo chrániče sluchu použité v príslušných podmienkach pomáhajú redukovat' vážne osobné zranenia.
 - Predídte neúmyselnému zapnutiu.** Uistite sa, že prepínač je vo vypnutej pozícii, pred tým, než zapojíte náradie do elektriny a/alebo k akumulátoru, pri zdvihnutí alebo nosení náradia. Nosenie náradia s prstom na prepínači alebo aktívneho náradia, ktoré je zapnuté, zvyšuje možnosť úrazu.
 - Odstráňte akékoľvek nastavovacie kľúče alebo kľúče na maticu a skrutky pred tým, než zapnete ručné náradie.** Nastavovací alebo iný kľuč ponechaný pripevnený na rotujúcej časti ručného náradia môže spôsobiť osobný úraz.
 - Nepreceňujte sa. Udržujte si stabilitu a pevnú zem pod nohami za každých podmienok.** Umožňuje vám to lepšiu kontrolu nad ručným náradím v neočakávaných situáciách.
 - Oblečte sa náležite. Nenoste voľné oblečenie alebo šperky.** Svoje vlasy a voľné oblečenie držte mimo dosahu pohyblivých častí. Voľné oblečenie, šperky alebo dlhé vlasy sa môžu do pohyblivých častí zachytiť.
 - Pokiaľ sú zariadenia nastavené na spojenie so zariadeniami na zachytávanie a extrakciu prachu, uistite sa, že sú náležite využit' a pripojené.** Použitím zberača prachu redukuje riziká spojené s prachom.
 - Nedovoľte, aby ste vďaka skúsenostiam získaným častým používaním elektrického náradia prestali dodržiavat' základy bezpečného použitia.** Neopatrný úkon môže spôsobiť vážny úraz v priebehu zlomku sekundy.
 - Použitie a údržba ručného náradia**

- a) **Nepretáždajte ručné náradie. Použite správne ručné náradie na danú činnosť.** *Správne ručné náradie spraví prácu lepšie a v medziach, na ktoré bolo navrhnuté.*
- b) **Nepoužívajte ručné náradie, pokiaľ sa prepínač neprepína medzi zapnutím a vypnutím.** *Akékoľvek ručné náradie, ktoré nie je kontrolovateľné prepínačom, je nebezpečné a musí byť opravené.*
- c) **Pred akýmkoľvek nastavením, výmenou násad alebo uskladnením elektrického náradia vyťahnite sieťovú zástrčku zo zásuvky alebo, ak to bude možné, vyťahnite akumulátor.** *Takéto preventívne bezpečnostné opatrenia redukujú riziko náhodného zapnutia ručného náradia.*
- d) **Keď ručné náradie nepoužívate, skladujte ho mimo dosahu detí a nedovoľte osobám, ktoré nemajú skúsenosti s prácou s ručným náradím alebo neboli oboznámené s týmito inštrukciami, dotýkať sa náradia.** *Ručné náradie je nebezpečné v rukách netrénovanej osoby.*
- e) **Vykonávajte pravidelnú údržbu elektrického náradia a príslušenstva. Skontrolujte chybné pripojenia alebo spojenia pohyblivých častí, zlomené časti alebo iné okolnosti, ktoré by mohli ovplyvniť funkčnosť ručného náradia. Pri poškodení musí byť pred použitím najprv elektrické ručné náradie opravené.** *Mnoho úrazov vzniká preto, že je elektrické ručné náradie zle udržiavané.*
- f) **Udržujte rezacie nástroje ostré a čisté.** *Náležite udržiavané rezacie nástroje s ostrými rezacími hranami sú menej náchylné na „zaseknutie“ a sú ľahšie ovládateľné.*
- g) **Používajte elektrické náradie v súlade s týmito pokynmi, berte pritom do úvahy pracovné podmienky a druh vykonávanej práce. Ak sa elektrické náradie použije na iné účely, než na čo je určené, môže dochádzať k nebezpečným situáciám.**
- h) **Rukoväte a povrchy držiadiel udržujte suché, čisté, bez mazív a tukov.** *Šmyklavé rukoväte a držadlá neumožňujú bezpečnú manipuláciu a obsluhu náradia v neočakávaných situáciách.*
- 5) **Používanie a starostlivosť o batériové elektrické náradie**
- a) **Nabíjajte iba nabíjačkou určenou výrobcom.** *Nabíjačka, ktorá je vhodná na jeden typ bloku batérií, môže pri použití s iným typom batérií spôsobiť požiar.*
- b) **Elektrické náradie používajte iba s určeným typom bloku batérií.** *Použitie akéhokoľvek iného typu batérií môže zvýšiť riziko zranenia a požiaru.*
- c) **Ak sa blok batérií nepoužíva, neukladajte ho do blízkosti iných kovových predmetov, ako sú sponky na papier, mince, kľúče, kince, skrutky alebo iné drobné kovové predmety, ktoré by mohli skratovať kontakty.** *Skratovanie kontaktov batérie môže viesť k popáleninám alebo vzniku požiaru.*
- d) **Pri nesprávnom používaní môže z batérie vystreknuť kvapalina; vyhýbajte sa styku s ňou. Ak dôjde k styku kvapaliny s pokožkou, opláchnite zasiahnuté miesto vodou. Ak sa kvapalina dostane do očí, ihneď vyhľadajte lekársku pomoc. Kvapalina, ktorá unikla z batérie, môže spôsobiť podráždenie a poleptanie.**
- e) **Akumulátor alebo náradie, ktoré je poškodené alebo upravené, nepoužívajte.** *Poškodené alebo upravené akumulátory môžu mať nepredvídateľné chovanie s následkom požiaru, explózie alebo s nebezpečnosťou úrazu.*
- f) **Akumulátor alebo náradie nevyhadzujte do ohňa alebo ho nevystavujte nadmerným teplotám.** *Pri vrhnutí do ohňa alebo vystavení teplote nad 130 °C môže dôjsť k explózii.*
- g) **Dodržiavajte všetky pokyny pre nabíjanie a akumulátor alebo náradie nenabíjajte mimo teplotný rozsah špecifikovaný v tomto návode.** *Nesprávne nabíjanie alebo nabíjanie pri teplotách mimo špecifikovaný rozsah môže poškodiť akumulátor a zvýšiť riziko požiaru.*
- 6) **Servis**
- a) **Servisné práce na náradí nechajte vykonať kvalifikovaných pracovníkov s použitím originálnych náhradných dielov.** *Výsledkom bude trvalá bezpečnosť pri práci s elektrickým náradím.*
- b) **Poškodené akumulátory nikdy neopravujte.** *Servis akumulátorov by mal byť prevedený iba výrobcom alebo autorizovaným servisným zástupcom.*

BEZPEČNOSTNÉ VÝSTRAHY TÝKAJÚCE SA KOSAČKY TRÁVNIKA

- a) **Kosačku nepoužívajte v zlých poveternostných podmienkach, obzvlášť vtedy, keď existuje riziko bleskov.** *Znižuje to riziko zásahu bleskom.*
- b) **Dôkladne skontrolujte priestor, kde sa má kosačka použiť, či sa tam nenachádzajú zvieratá.** *Pri prevádzke kosačky by mohlo dôjsť k ich poraneniu.*
- c) **Dôkladne skontrolujte priestor, kde sa má kosačka použiť, a odstráňte všetky kamene, palice, drôty, kosti a iné cudzie predmety.** *Odletujúce predmety by mohli spôsobiť poranenia osôb.*
- d) **Pred použitím kosačky vizuálne skontrolujte, či nie je poškodený alebo opotrebovaný nôž a zostava noža.** *Opotrebované a poškodené súčasti zvyšujú riziko zranenia.*
- e) **Často kontrolujte opotrebovanie a poškodenie zásobníka na trávu.** *Opotrebovaný alebo poškodený zásobník na trávu môže zvýšiť riziko osobného poranenia.*
- f) **Ochranné kryty nechajte na mieste. Ochranné kryty musia byť funkčné a riadne namontované.**

Ochranný kryt, ktorý je uvoľnený, poškodený alebo nefunguje správne, môže spôsobiť zranenie osôb.

- g) **Udržujte všetky vstupy chladiaceho vzduchu bez nečistôt.** Zablockované vstupy vzduchu a nečistoty môžu viesť k prehriatiu alebo nebezpečenstvu požiaru.
- h) **Počas používania kosačky noste vždy protišmykovú ochrannú obuv. Kosačku nepoužívajte, keď ste bosí alebo máte obuté otvorené sandále.** Znižuje to riziko zranenia nôh spôsobené kontaktom s pohybujúcim sa nožom.
- i) **Pri práci s kosačkou majte vždy oblečené dlhé nohavice.** Odhalené časti pokožky zvyšujú pravdepodobnosť poranenia od odletujúcich predmetov.
- j) **Kosačku nepoužívajte v mokrej tráve. Kráčajte, nikdy nebežte.** Znižuje to riziko pošmyknutia a pádu, ktoré môže viesť k zraneniu..
- k) **Kosačku nepoužívajte na príliš strmých svahoch.** Znižuje to riziko straty kontroly, pošmyknutia alebo pádu, čo by mohlo viesť k zraneniam.
- l) **Pri práci na svahoch vždy skontrolujte svoje postavenie. Vždy pracujte smerom cez svah, nikdy nie smerom nadol alebo nahor a pri zmene smeru buďte mimoriadne opatrní.** Znižuje to riziko straty kontroly, pošmyknutia alebo pádu, čo by mohlo viesť k zraneniam.
- m) **Buďte mimoriadne opatrní, keď ťaháte kosačku dozadu alebo smerom k sebe. Vždy dávajte pozor na okolie. Znižuje to riziko zakopnutia.**
- n) **Nedotýkajte sa nožov ani iných nebezpečných pohyblivých častí, kým sú ešte v pohybe.** Znižuje to riziko poranenia pohyblivými časťami.
- o) **Pri odstraňovaní zaseknutého materiálu alebo čistení kosačky dbajte na to, aby boli všetky spínače vypnuté a batériový blok bol odpojený.** Neočakávané spustenie kosačky môže viesť k vážnemu osobnému poraneniu.

- d) **Nevystavujte batériu mechanickým rázom.**
- e) **Ak dôjde k úniku kvapaliny z batérie, zabráňte tomu, aby sa táto kvapalina dostala do kontaktu s pokožkou alebo aby zasiahla oči. Ak dôjde k takému kontaktu, zasiahnuté miesto umyte značným množstvom vody a vyhľadajte lekárske ošetrovanie.**
- f) **Udržujte batérie čisté a suché.**
- g) **Ak sú svorky batérie znečistené, utrite ich čistou a suchou handričkou.**
- h) **Batéria musí byť pred použitím nabitá. Vždy postupujte podľa uvedených pokynov a používajte správny postup nabíjania.**
- i) **Nenechávajte batériu nabíjať, ak nebude batéria použitá.**
- j) **Po dlhodobom uložení budete možno musieť vykonať niekoľko cyklov nabíjania a vybíjania, aby batéria dosiahla svoj maximálny výkon.**
- k) **Vykonať nabíjanie iba v nabíjačke, ktorá je špecifikovaná spoločnosťou Kress. Nepoužívajte inú nabíjačku, než je nabíjačka špeciálne dodaná na použitie s týmto zariadením.**
- l) **Nepoužívajte žiadnu batériu, ktorá nie je určená na použitie s týmto zariadením.**
- m) **Ukladajte batérie mimo dosahu detí.**
- n) **Uchovajte originálnu dokumentáciu k tomuto výrobku na budúce odkazy.**
- o) **Ak sa zariadenie nepoužíva, vyberte z neho batériu.**
- p) **Vykonať riadnu likvidáciu batérie.**
- q) **V zariadení nekombinujte batériové články rôzneho dátumu výroby, kapacity, veľkosti alebo typu.**
- r) **Batériu uchovávajte ďalej od mikrovlnných rúr a zariadení pod vysokým tlakom.**
- s) **Upozornenie! Nepoužívajte jednorazové batérie.**

BEZPEČNOSTNÉ VAROVANIA TÝKAJÚCE SA BATÉRIÍ

- a) **Nepokúšajte sa demontovať, rozoberať alebo rozrezávať batérie alebo jej články.**
- b) **Batériu neskratujte. Neukladajte batérie náhodne v škatuliach alebo v zásuvkách, kde by mohlo dôjsť k ich vzájomnému skratovaniu alebo k skratovaniu spôsobenému inými predmetmi. Ak sa batéria nepoužíva, udržujte ju v bezpečnej vzdialenosti od sponiek na papieri, minci, kľúčov, klincov, skrutiek alebo iných malých kovových predmetov, ktoré môžu spôsobiť prepojenie kontaktov batérie. Skratovanie kontaktov batérie môže spôsobiť popálenie alebo požiar.**
- c) **Nevystavujte batériu pôsobeniu tepla alebo ohňa. Vyvarujte sa skladovania batérií na otvorenom slnku.**

POŽIADAVKY NÁVODU NA OBSLUHU PRE BEZDRÔTOVÝ VÝROBOK



- a) **Prevádzka tohto zariadenia podlieha nasledujúcim dvom podmienkam:**
 - (1) Toto zariadenie nesmie spôsobovať škodlivé rušenie a
 - (2) Toto zariadenie musí akceptovať akékoľvek prijaté rušenie, vrátane rušenia, ktoré môže spôsobiť nežiaducu činnosť.
- b) **Pozor: Zmeny alebo úpravy tohto zariadenia, ktoré nie sú výslovne schválené stranou zodpovednou za zhodu, môžu zrušiť oprávnenie používateľa prevádzkovať toto zariadenie.**
- c) **POZNÁMKA:** Toto zariadenie generuje, používa a môže vyžarovať rádiovú frekvenčnú energiu a ak nie je nainštalované a používané v súlade s pokynmi, môže spôsobiť škodlivé rušenie rádiové komunikácie. Neexistuje však žiadna

záruka, že pri konkrétnej inštalácii nedôjde k rušeniu. Ak toto zariadenie spôsobuje škodlivé rušenie rádiového alebo televízneho príjmu, čo sa dá zistiť vypnutím a zapnutím zariadenia, používateľovi sa odporúča, aby sa pokúsil napraviť rušenie jedným alebo viacerými z nasledujúcich opatrení:


- Presmerujte alebo premiestnite prijímaciu anténu.
- Zväčšite vzdialenosť medzi zariadením a prijímačom.
- Zapojte zariadenie do zásuvky v inom okruhu, než ku ktorému je pripojený prijímač.
- Požiadajte o pomoc predajcu alebo skúseného rádio/TV technika.

SYMBOLY

	S cieľom znížiť nebezpečenstvo vzniku zranenia je potrebné prečítať si túto príručku.
	Výstraha
	VÝSTRAHA – Dávajte pozor na odletujúce predmety – nepovolané osoby sa musia zdržiavať ďalej
	VÝSTRAHA – Rukami ani nohami sa nepribližujte k nožom
	VÝSTRAHA – Pred údržbou odpojte batériu
	Nôž sa naďalej otáča aj po vypnutí zariadenia. Pred dotýkaním sa súčastí zariadenia počkajte, kým sa úplne nezastavia.
	Používajte ochranné rukavice.
	Pred vykonávaním akéhokoľvek nastavenia, servisu alebo údržby odpojte batériu od zástrčky.

	Akumulátory sa môžu pri nesprávnom spôsobe likvidácie dostať do systému kolobehu vody, čo môže ohroziť vlastný ekosystém. Doslúžite akumulátory nelikvidujte ako zmesový komunálny odpad.
	Nevystavujte ohňu
	Vysoké otáčky
	Nízke otáčky
 Li-Ion	Akumulátor Li-Ion. Tento výrobok bol označený symbolom "triedený odpad" pre všetky jednotlivé a zložené akumulátory. Preto musí byť s ohľadom vplyvu na životné prostredie po doslúžení recyklovaný alebo demontovaný. Akumulátory obsahujú nebezpečné látky, preto môžu byť nebezpečné pre životné prostredie a ľudské zdravie.
	Elektrické výrobky sa nesmú likvidovať spolu s domácim odpadom. Recyklujte v zberných miestach na tento účel zriadených. O možnosti recyklácie sa informujte na miestnych úradoch alebo u predajcu.

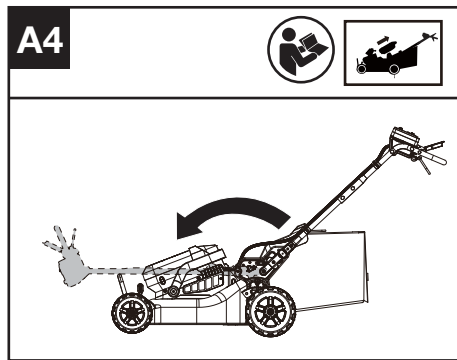
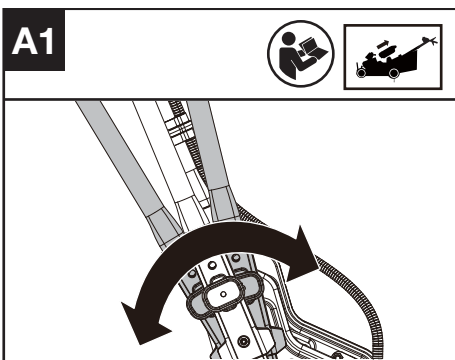
MONTÁŽ A OBSLUHA

 **POZNÁMKA:** Pred používaním tohto nástroja si pozorne prečítajte návod na obsluhu.

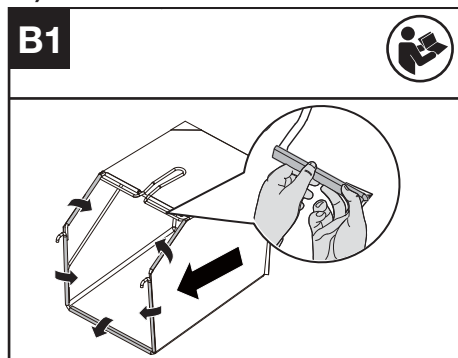
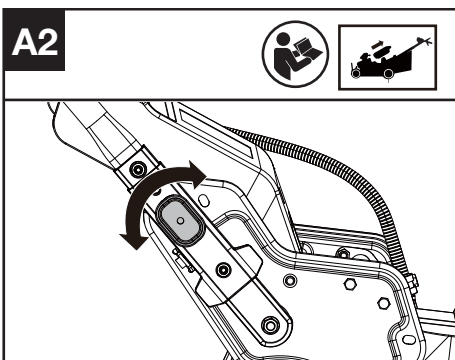
 **PRED POUŽITÍM:**

Nastavenie výšky rukoväte a montáž dolných rukovätí. (Pozrite si obr. A1, A2)

Zvoliť možno 3 úrovne výšky. Vyberte vhodnú výšku a nastavte ju otáčaním otočného gombíka.



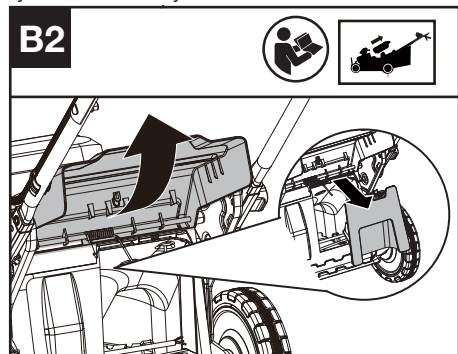
Montáž vaku na zber trávy (Pozrite si obr. B1)



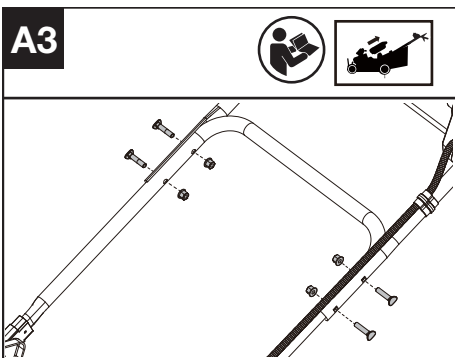
Montáž vaku na zber trávy na kosačku na trávu (Pozrite si obr. B2,B3,B4)

POZNÁMKA: Na vak na zber trávy mierne zatlačte, aby ste sa uistili, že je úplne namontovaný.

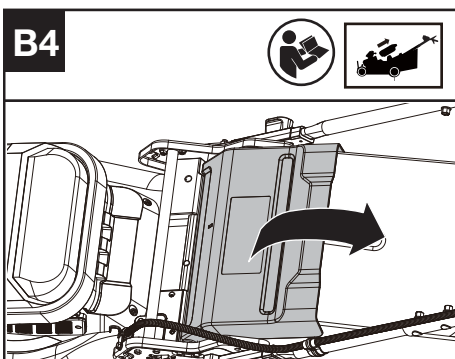
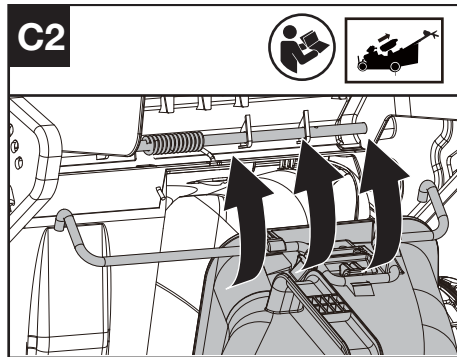
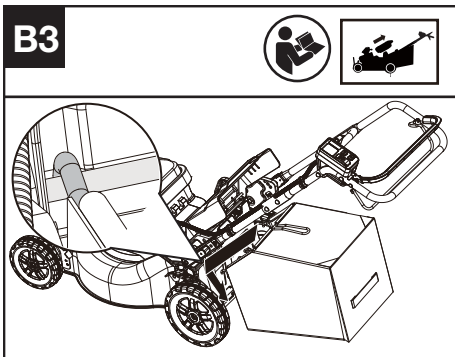
POZNÁMKA: Pred upevnením vaku na zber trávy vytiahnite z kosačky na trávu mulčovaciu zátku.



Montáž hornej rukoväte. (Pozrite si obr. A3)



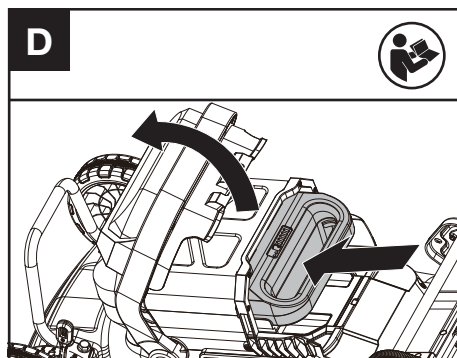
POZNÁMKA: Počas prepravy alebo sezónneho uskladnenia sa rukoväte môžu sklopiť. (Pozrite si obr. A4)



Kontrola stavu nabitia batérie a nabíjanie batérového bloku.

POZNÁMKA: Batérie sa dodávajú v nenabitom stave. Batéria musí byť pred prvým kosením úplne nabitá. Viac podrobností nájdete v príručkách priložených k batérii a nabíjačke.

Vkladanie/vyberanie batérie (Pozrite si obr. D)

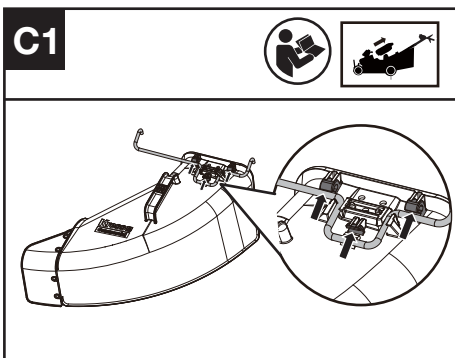


Montáž bočného výspného žľabu na kosačku na trávu (pozri obr. C1, C2)

POZNÁMKA: Pred namontovaním bočného výspného žľabu vyberte z kosačky na trávu mulčovaciu zátku a odstráňte nádobu na zber trávy.

Kontrola ovládacích prvkov

1. Vyberte batériu.
2. Skúste stlačiť vypínač, tlačidlo spustenia noža kosačky alebo regulátor otáčok kosenia. Ak sa vypínač, tlačidlo spustenia noža kosačky alebo regulátor otáčok kosenia zasekne a nevráti sa späť do svojej pôvodnej polohy, kosačku prestaňte používať a kontaktujte servisného zástupcu.
3. Skúste potiahnuť a uvoľniť ovládaciu oblúkovú rukoväť alebo zasúvaciu oblúkovú rukoväť samohybného systému. Ak sa ovládacia oblúková rukoväť alebo zasúvací oblúková rukoväť samohybného systému zasekne a nevráti sa späť do svojej pôvodnej polohy, kosačku prestaňte používať a kontaktujte servisného zástupcu.
4. Otáčajte regulátorom ovládania rýchlosti samohybného systému. Ak sa regulátor ovládania rýchlosti samohybného systému



zasekne, kosačku prestaňte používať a kontaktujte servisného zástupcu.

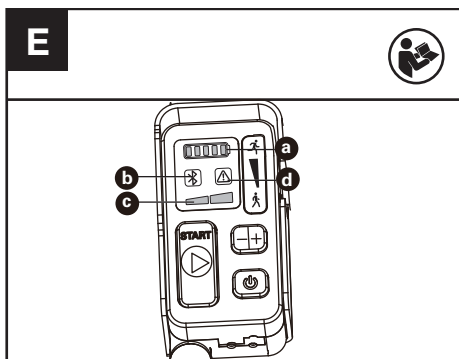
Kontrola displeja (Pozrite si obr. E)

1. Vložte batériu.
2. Vypínač podržte stlačený a rozsvieti sa svetelná kontrolka (a) batérie a svetelná kontrolka (c) otáčok kosenia.
3. Stlačte tlačidlo spustenia noža kosačky a kosačku spustíte potiahnutím ovládacej oblúkovej rukoväte.
4. Ak bliká výstražná kontrolka (d), riešenia nájdete v časti Odstraňovanie problémov.
5. Uvoľnite ovládaciu oblúkovú rukoväť. Nôž kosačky sa s krátkym oneskorením prestane otáčať. Ak sa kosačka nemôže zastaviť, vyberte batériu a kontaktujte servisného zástupcu.

Svetelné LED kontrolky

- | | |
|----|--------------------------|
| a. | KONTROLKA BATÉRIE |
| b. | KONTROLKA BLUETOOTH |
| c. | KONTROLKA OTÁČOK KOSENIA |
| d. | VÝSTRAŽNÁ KONTROLKA |

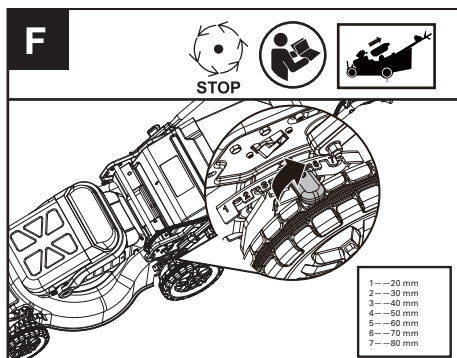
POZNÁMKA: Keď má stroj poruchu, bliká červená alebo žltá výstražná kontrolka. Ak bliká červená kontrolka, vyhľadajte pomoc u obchodného zástupcu. Ak bliká žltá kontrolka, stroj vypnite, vyberte akumulátor a potom ho znova vložte a stroj zapnite. Ak svieti žltá kontrolka, vyhľadajte pomoc u obchodného zástupcu.



Nastavenie výšky kosenia (Pozrite si obr. F)

Nastavenie výšky kosenia pomocou páčok na nastavovanie výšky kosenia predného a zadného kolesa.

POZNÁMKA: Pri nastavovaní výšky dbajte na to, aby boli predné a zadné kolesá v rovnakej polohe.



VAROVANIE! Pred nastavením výšky zastavte, uvoľnite ovládaciu páku a počkajte, kým sa motor nezastaví. Po vypnutí stroja čepele pokračujú v otáčaní; rotujúca čepeľ môže zapríčiniť poranenie. Nedotýkajte sa rotujúcich čepeľí.

PREVÁDZKA

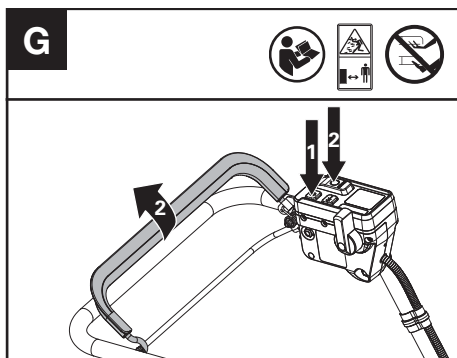
Spustenie a zastavenie kosačky (Pozrite si obr. G)

1. Stlačte vypínač
2. Stlačte (podržte) spúšťacie tlačidlo rezného kotúča a zariadenie spustíte potiahnutím ovládacej páky.
3. Kosačku zastavte uvoľnením ovládacej oblúkovej rukoväte.

VAROVANIE! Nôž kosačky sa po vypnutí kosačky stále otáča; počkajte, kým sa úplne nezastaví.

POZNÁMKA: Zariadenie spustíte súčasným stlačením tlačidla spustenia noža kosačky a potiahnutím ovládacej oblúkovej rukoväte.

POZNÁMKA: Vypínač podržte stlačený a displej začne svietiť. Displej sa automaticky vypne, keď sa 60 sekúnd nevykoná žiadna činnosť.

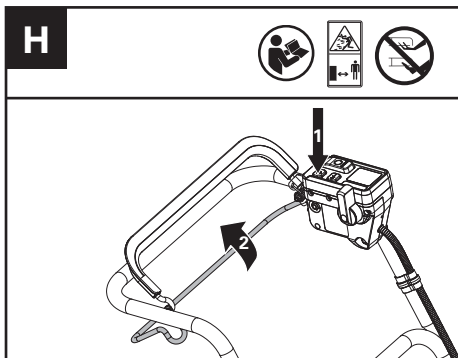


Ovládanie samohybného systému (Pozrite si obr. H)

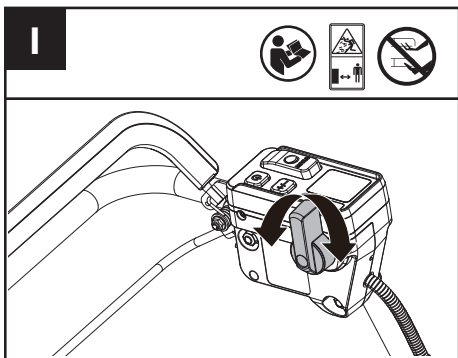
1. Stlačte vypínač

SK

2. Samohybný systém spustíte potiahnutím zasúvacej obľukovej rukoväte samohybného systému.
3. Kosačku zastavte uvoľnením zasúvacej obľukovej rukoväte samohybného systému.

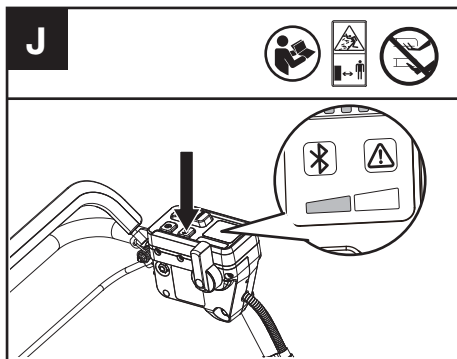


Výber rýchlosti samohybného systému (Pozrite si obr. I)



Výber otáčok kosenia (Pozrite si obr. J)

V závislosti od použitia sa môžu zvoliť 2 úrovne otáčok kosenia. Otáčky ovládajte tlačidlami +/- podľa signalizácie LED svetelných kontroliek. Čím vyššia je úroveň otáčok kosenia, tým rýchlejšie môže nôž kosačky pracovať.



TIPY OHLADNE KOSENIA A MULČOVANIA

Vaša kosačka je navrhnutá tak, aby počas mulčovania posekala zvyšky trávy na malé kúsky a rozložila ich naspäť do trávniku. V rámci bežných podmienok sa mulčovaná tráva rýchlo rozloží a poskytne trávniku výživu.

Kvôli dosiahnutiu optimálneho výkonu počas mulčovania si pozrite nasledujúce odporúčania.

- 1) Vyhňte sa koseniu, keď je tráva mokrá od dažďa alebo rosy. Z mokrej trávy sa môžu vytvárať zhluky, ktoré ovplyvňujú činnosť mulčovania a skracujú prevádzkový čas.
- 2) Pre dosiahnutie najlepšieho mulčovacieho výkonu nastavte reznú výšku tak, aby ste odsekli asi jednu tretinu výšky stebľa trávy; ideálne je naraz odseknúť nie viac ako 40 mm. Ak je trávnik prerastený, bude pravdepodobne potrebné zvýšiť reznú výšku s cieľom znížiť silu potrebnú na tlačenie a preťažovanie motora. V prípade veľmi náročného mulčovania sa odporúča najprv vykonať kosenie pri nastavenej vysokej výške rezu a následne pokosiť pri finálnej výške rezu. V opačnom prípade vykonávajte rovné zábery a pohybujte sa kosačkou pomaly.
- 3) Pre dosiahnutie najlepšieho výkonu udržiavajte telo kosačky bez nahromadenia trávy. Z času na čas kosačku vypnite a počkajte, kým sa nože úplne zastavia. Vyberte batérie a obráťte kosačku na bok. Pomocou predmetu, ako napríklad palička, odstráňte všetku nahromadenú trávu okolo noža kosačky. Dávajte pozor na ostré okraje noža. Pri kosení mokrej alebo novej trávy často čistite oblasť okolo noža kosačky a vždy po skončení jej používania.
- 4) Určité typy trávy alebo stav trávy môže vyžadovať vykonanie druhého mulčovania s cieľom roztrúsiť trávu kompletne v rámci trávniku. V prípade druhého kosenia sa odporúča vykonať kosenie kolmo (naprieč) prvým smerom kosenia. V ŽIADNOM PRÍPADE NEMEŇTE SMER KOSENIA TÝM BY MOHLO DÔJSŤ KU KOSENIU SMEROM ZO SVAHU.
- 5) Každý týždeň zmeňte svoj smer kosenia. Tým pomôžete zachovať hustotu trávnatého koberca a textúru trávniku.
- 6) Nekoste na svahu s uhlom viac ako 18°.

VEĽKOSŤ POKOSENEJ PLOCHY

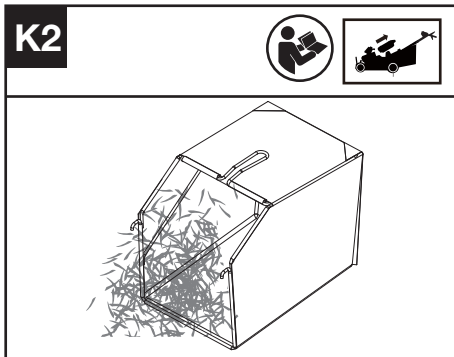
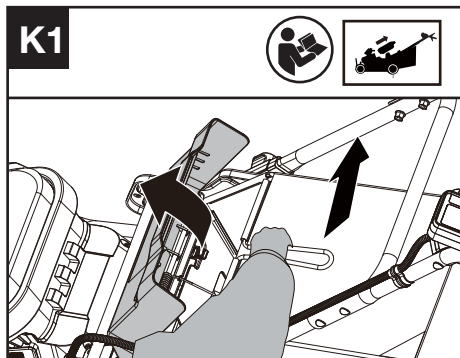
Veľkosť skosenej plochy môže byť ovplyvnená niekoľkými faktormi, ako sú výška kosenia, vlhkosť trávnik, dĺžka stebiel trávy a hustota trávy. Príliš časté zapínanie a zastavovanie kosačky počas kosenia trávnik navyiac spôsobuje zmenšenie veľkosti pokosenej plochy.

RADY:

- 1) Odporúčame vám, aby ste kosili trávnik v kratších intervaloch tak, aby ste chodili normálnym tempom a aby ste počas práce často nezapínali/ nezastavovali kosačku.
- 2) Najlepší výsledok dosiahnete vtedy, keď je batériový blok úplne nabitý, a trávu vždy odkoste do 1/3 výšky alebo menej. Pred začiatkom sezóny kosenia sa do kosačky odporúča namontovať nový nôž.
- 3) Pri kosení vysokej trávy choďte pomaly, aby bolo zaručené efektívnejšie kosenie a riadne odvádzanie pokosenej trávy.
- 4) Zabráňte koseniu vlhkej trávy, pretože by sa tráva lepila na spodnú časť žacieho ústroja a skosená tráva by nemohla byť riadne zachytená alebo odvedená.
- 5) U nového alebo hustého trávnik používajte väčšiu výšku kosenia, čím predĺžite pracovnú dobu batérie.

Odstraňovanie/vyprázdňovanie vaku na zber trávy (Pozrite si obr. K1, K2)

! **VAROVANIE!** Pred použitím vždy skontrolujte, či je na vyprázdňovacom otvore zatvorená bezpečnostná klapka. Nikdy nezdvíhajte bezpečnostnú klapku ani neodstraňujte mulčovaciu zátku, keď je kosačka na trávu v prevádzke bez nasadeného vaku na zber trávy.



PRE AKUMULÁTOROVÉ NÁRADIE

Odporúčaný rozsah okolitej teploty pre vybíjanie je -20 až 45 °C (-4 až 113 °F).

Odporúčaný rozsah okolitej teploty pre nabíjací systém v priebehu nabíjania je -5 °C~45 °C (23 °F~113 °F).

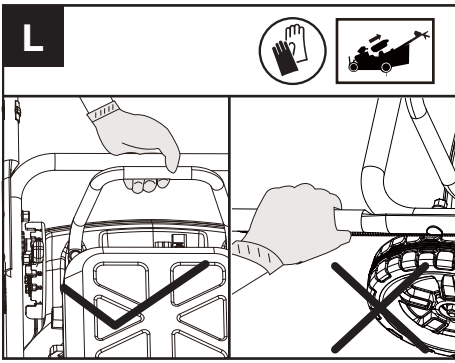
Podrobnosti o bezpečnom zneškodňovaní použitých batérií:

Na konci životnosti spotrebiča bezpečne odstráňte batériový balik pred zneškodnením spotrebiča. Batérie nevyhadzujte ani neodhazujte do bežného odpadkového koša. Tiež neodstraňujte batériu spolu so strojom. Odstráňte použitý batériový balik zo spotrebiča a zneškodnite ho v najbližšom alebo najvhodnejšom vyhradenom zariadení na recykláciu. Ak máte pochybnosti, obráťte sa na miestny úrad pre ochranu životného prostredia. Nesprávne zneškodňovanie batérií môže spôsobiť kontamináciu vodného cyklu, čo môže ohroziť ekosystém. Nezneškodňujte odpadné batérie ako nesortovaný komunálny odpad.

PREPRAVA

Preprava kosačky

1. Kosačku vypnite a vyberte z nej batériu.
2. Pri preprave kosačky sa môže použiť vlastný pohon bez zasunutia noža kosačky.
3. Pri dvíhaní kosačky sa odporúča, aby ju dvaja ľudia zdvihli na každej strane uchopením za ochranný kryt motora a oblasti pripojenia dolnej rukoväte ako rukoväte. Pri dvíhaní stroja v zloženom stave uchopte kryt motora a nie rukoväte. (Pozri obr. L)



Preprava batérie

1. Uistite sa, že je batéria v bezpečnom stave.
2. Pri preprave batérie používajte nevodivé obaly.
3. Obsiahnuté lítium-iónové batérie podliehajú požiadavkám legislatívy o nebezpečných tovaroch.

Batérie prepravujte iba vtedy, keď nie je kryt batérie poškodený. Batérie zabaľte tak, aby sa v obale nemohli pohybovať.

ÚDRŽBA



VAROVANIE! Skôr ako odstránite vak na zber trávy, kosačku zastavte a vyberte z nej batériu.

POZNÁMKA: Aby ste zabezpečili dlhú a spoľahlivú prevádzku, pravidelne vykonávajte nasledujúce postupy údržby. Kontrolujte bežné poškodenia ako je uvoľnenie, zablokovanie alebo poškodenie čepele, uvoľnenie upevňovacích prvkov a opotrebovanie alebo poškodenie jednotlivých súčastí. Skontrolujte, či kryty a chrániče nie sú poškodené a skontrolujte, že sú na kosačke správne osadené. Pred prevádzkovaním kosačky vykonajte potrebnú údržbu a opravy. Ak dôjde k chybe činnosti kosačky aj napriek vykonávaniu pravidelnej údržby, o pomoc požiadajte zákaznícku linku.

OSTRENIE NOŽA KOSAČKY
NOŽ KOSAČKY UDRŽIAVAJTE OSTRÝ NA DOSAHOVANIE NAJLEPŠIEHO VÝKONU KOSAČKY. TUPÝ NOŽ KOSAČKY TRÁVU NESKOSÍ ÚPLNE ALEBO NESPRÁVNE MULČUJE. PRI ODSTRANOVANÍ, OSTRENÍ A VKLADANÍ NOŽA DO KOSAČKY NOSTE OCHRANÉ OKULIARE A RUKAVICE PROTI POREZANIU.

POZNÁMKA: Ostrenie alebo výmena noža kosačky po každých 50 hodinách. Piesok spôsobí rýchle zatupenie noža. Ak má váš trávnik piesčitú pôdu, nož sa bude musieť častejšie ostriť alebo vymieňať.

OHNUTÝ ALEBO POŠKODENÝ NOŽ KOSAČKY OKAMŽITE VYMEŇTE.

WHEN SHARPENING THE BLADE

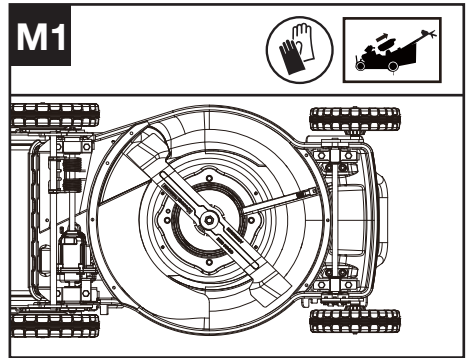
1. Použite drevený hranol, aby sa nož kosačky

nemohol otáčať.

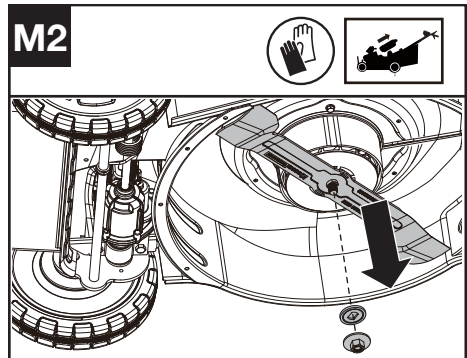
2. Upevňovaciu skrutku noža odskrutkujte pomocou nástrčného kľúča a kľúča a matice a potom nož vyberte z kosačky. (Pozrite si časť Demontáž noža kosačky)
3. Nož upnite do zveráka alebo podobného zariadenia, aby sa počas ostrenia nepohyboval.
4. Naostríte ostria na oboch koncoch noža kosačky. Z oboch koncov sa musí odobrať rovnaké množstvo materiálu, aby sa zachovalo vyváženie noža kosačky.
5. Skontrolujte vyváženie noža kosačky. (Pozrite si časť Vyváženie noža kosačky)
6. Nož vymeňte v opačnom poradí ako pri demontáži.
7. Upevňovacia skrutka noža kosačky musí byť utiahnutá na ťahovací moment (25 Nm).

POZNÁMKA:

1. Kosačka musí byť vypnutá a musí byť z nej vybraná batéria.
2. Kosačku obráťte na bok, ako je to znázornené na obrázku M1.



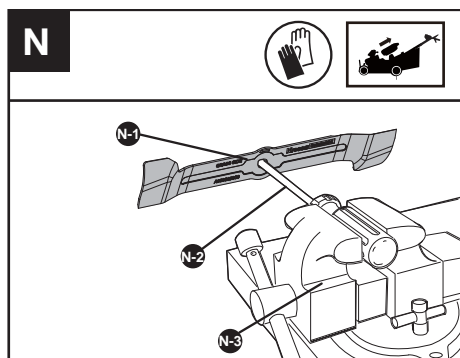
DEMONTÁŽ NOŽA KOSAČKY (POZRITE SI OBR. M2)



VYVÁŽENIE ČEPELE (POZRITE OBR. N)

Zkontrolujte vyváženie nože zavěšením za středový otvor N-1 na hřebík nebo dřík šroubovák N-2 upnutý ve vodorovné poloze do svěráku N-3. Ak jeden

koniec čepele padá smerom nadol, opracujte pilníkom tento koniec. Čepeľ je správne vyvážená, ak ani jeden z koncov nepadá dolu.



VÝMENA NOŽA KOSAČKY

- Pre lepšie skúsenosti s používaním sa odporúča vymieňať rôzne nože kosačky podľa rôznych pracovných podmienok.

NOŽ KOSAČKY	FUNKCIA
Horný zdvíhací nôž kosačky	Odporúča sa na vrecovanie
Nôž Gator	Odporúča sa na mulčovanie

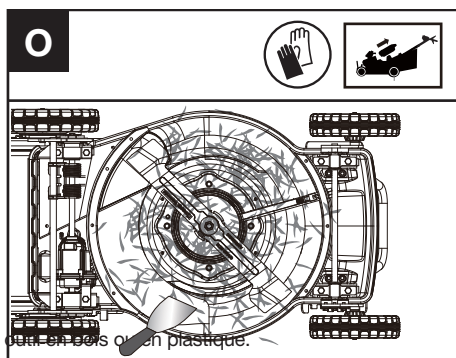
ČISTENIE

1. Kosačku zastavte a vyberte z nej batériu.
2. Nepoužívajte agresívne čistiace prostriedky alebo rozpúšťadlá. Po použití stroj očistite vlhkou handričkou namočenou v neutrálnom čistiacom prostriedku.
3. Udržujte zásuvku bez cudzích predmetov a čistite ju mäkkou a suchou kefou alebo handričkou.
4. Nestriekajte vodu na motor a elektrické komponenty.
5. Na čistenie stroja nepoužívajte tlakový čistič.

Čistenie krytu a oblasti noža kosačky. (Pozrite si obr. O)

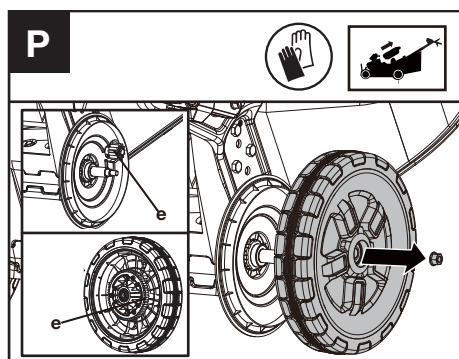
Odstraňovanie odrezkov trávy a úlomkov z krytu a oblasti noža kosačky.

Ak sa v oblasti noža kosačky nahromadia odrezky trávy, odstráňte ich drevenou alebo plastovou pomôckou.



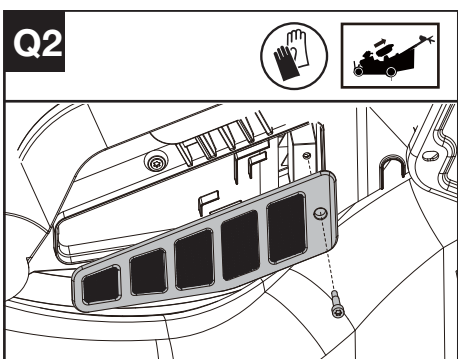
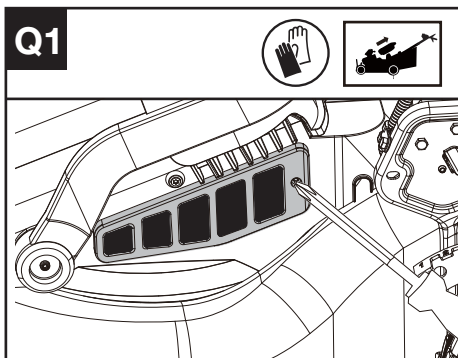
Čistenie kolies. (Pozrite si obr. P)

- Kosačku zastavte a vyberte z nej batériu.
- Kolesá čistite v extrémnych podmienkach po každých 50 hodinách alebo častejšie.
- Odmontujte zadné kolesá a z oblasti ozubených kolies odstráňte odrezky trávy.
- Na ozubené kolesá (e) sa po čistení odporúča naniesť malé množstvo maziva proti zadretiu



Čistenie vzduchového filtra (Pozrite si obr. Q1, Q2)

1. Vyčistite okolie vzduchového filtra. Použite vlhkú handričku alebo mäkkú kefku.
2. Odskrutkujte a vyberte vzduchový filter.
3. Vzduchový filter umyte tečúcou vodou, aby ste odstránili nečistoty.
4. Vzduchový filter nechajte vyschnúť na vzduchu. Potom ho nainštalujte do puzdra utiahnutím skrutky.



SK

SKLADOVANIE

1. Kosačku zastavte a vyberte z nej batériu.
2. Vonkajší povrch stroja dôkladne vyčistíte pomocou mäkkej kefy a handričky. Nepoužívajte rozpúšťadlá ani leštidlá. Odstráňte všetku trávu a úlomky, obzvlášť z vetracích otvorov, mulčovacej dosky, oblasti noža kosačky a kolies.
3. Zariadenie skladujte na suchom mieste, na ktoré nemajú prístup deti ani iné neoprávnené osoby. Na hornú časť stroja nekladte iné predmety.
4. Pre jednoduché skladovanie rukoväť zložte.
5. Batériu skladujte len pri teplotnom rozsahu medzi 5 °C (41 °F) až 25 °C (77 °F). Napríklad nenechávajte v lete batériu v aute.
6. V prípade zvlhnutia počas prevádzky sa musí zariadenie a batéria vysušiť pred uskladnením alebo nabíjaním. Ak sa zariadenie nepodarí zapnúť, vyberte batériu a znovu ju vložte.

ODSTRAŇOVANIE PROBLÉMOV

Nasledovná tabuľka uvádza problémy a opatrenia, ktoré môžete vykonať, keď vaše zariadenie nefunguje správne.



VAROVANIE: Pred odstraňovaním problémov vypnite zariadenie a vyberte batériu.

SYMPTÓM	NÁPRAVNÉ ČINNOSTI
1. Kosačka je vypnutá, keď je aktivovaná ovládacia páka.	A. Skontrolujte, či je tlačidlo spustenia noža kosačky úplne stlačené. B. Kosačku vypnite uvoľnením ovládacej oblúkovej rukoväte. Vyberte batériu, kosačku obráťte na bok a skontrolujte, či sa nôž kosačky voľne otáča. Ak sa neotáča voľne, obráťte sa na autorizované servisné stredisko. Nôž kosačky sa musí voľne otáčať. C. Je batéria úplne nabitá? Pripojte nabíjačku a počkajte kým sa rozsvieti zelená kontrolka. D. Kosačku spustíte súčasným stlačením tlačidla spustenia noža kosačky a potiahnutím ovládacej oblúkovej rukoväte.
2. Motor sa počas kosenia zastavuje.	A. Kosačku vypnite uvoľnením ovládacej oblúkovej rukoväte. Vyberte batériu, kosačku obráťte a skontrolujte, či nie je zanesená odrezkami trávy a odstráňte ich z oblasti noža kosačky. Potom skontrolujte, či sa nôž voľne otáča. Ak sa neotáča voľne, obráťte sa na autorizované servisné stredisko. Nôž kosačky sa musí voľne otáčať. B. Zväčšite výšku kosenia nastavením žacieho ústrojenstva do najvyššej možnej polohy a spustíte kosačku. C. Bol akumulátor celkom nabitý? Pripojte nabíjačku a počkajte, až sa rozsvieti zelená kontrolka. D. Vyvarujte sa preťaženia kosačky. Znížte rýchlosť kosenia alebo zvýšte polohu žacieho ústrojenstva. Alebo oboje.
3. Kosačka beží, ale výkon kosenia nie je uspokojivý. Alebo nepokosí celý rozlohu trávniku.	A. Bol akumulátor celkom nabitý? Pripojte nabíjačku a počkajte, až sa rozsvieti zelená kontrolka. B. Kosačku vypnite uvoľnením ovládacej oblúkovej rukoväte. Vyberte batériu. Kosačku obráťte a skontrolujte: naostrenie noža kosačky - nôž udržiavajte ostrý, podvozok a vyprázdňovací žlab, či nie sú upchané. C. Žacie ústrojenstvo môže byť nastavené príliš nízko vzhľadom na stav trávniku. Zväčšite výšku žacieho ústrojenstva.
4. Kosačka sa ťažko tlačí.	A. Zväčšite výšku žacieho ústrojenstva, aby sa znížil tlak žacieho ústrojenstva na trávu. Skontrolujte, či sa voľne otáča každé koliesko.
5. Kosačka je veľmi hlučná a vibruje.	A. Kosačku vypnite uvoľnením ovládacej oblúkovej rukoväte. Vyberte batériu. Kosačku obráťte na bok a skontrolujte nôž, či nie je ohnutý alebo poškodený. Ak je nôž poškodený, vymeňte ho za náhradný nôž. Ak je poškodená spodná časť podvozku, kosačku odneste do autorizovaného servisného strediska. B. Ak nôž nie je viditeľne poškodený a kosačka stále vibruje: kosačku vypnite uvoľnením ovládacej oblúkovej rukoväte, vyberte batériu a z kosačky odstráňte nôž. Nôž otočte o 180 stupňov a znova ho utiahnite. Ak kosačka stále vibruje, vráťte ju do autorizovaného servisného strediska.
6. LED indikátor nabíjačky nesvieti.	A. Skontrolujte pripojenie zástrčky. B. Nabíjačku vymeňte.
7. Kontrolka LED nabíjačky akumulátorov sa neprepe na zelenú.	A. Je nutné vykonať diagnostiku akumulátora. Obráťte sa na autorizované servisné stredisko.

8. Kosačka nezbera pokosenú trávu do zberného vaku.	A. Zadný vyprázdňovací žľab je upchaný. Kosačku vypnite uvoľnením ovládacej obľúkovej rukoväte. Vyberte batériu. Zo žľabu odstráňte odrezky trávy. B. Príliš veľa nakosenej trávy. Dĺžku kosenia skráťte tak, že zvýšite výšku kosenia kolies. C. Vak je plný. Vak vyprázdňujte častejšie.
9. Pri mulčovaní sú useknuté časti viditeľné.	A. Bolo nastavené kosenie príliš veľkej časti stoniek trávy. Zväčšite výšku žacieho ústrojenstva, aby došlo ku skráteniu odstrihnutej časti trávy. Nekoste viac ako 1/3 celkovej dĺžky. B. Skontrolujte, či sú sekacie nože ostré. Nože majte vždy nabrúsené. C. Ak je tráva vysoká alebo mimoriadne hustá, znížte rýchlosť.
10. Po viacerých použitíach nízka alebo skrátená doba chodu.	A. Výrobok vráťte do autorizovaného servisného strediska - môže byť potrebné nainštalovať nový akumulátor.
11. Bliká výstražná kontrolka.	A. Stroj vypnite, vyberte akumulátor a potom ho znova vložte a stroj zapnite. B. Obráťte sa na servisného technika.

TECHNICKÉ ÚDAJE

Typ: **KC720 KC720.X (720 - označenie zariadenia, predstavujúce kosačku SP so zosilnenou oceľovou plošinou)**

		KC720 KC720.X **
Napätie		60V  Max***
SK	Materiál krytu	zosilnená oceľ -1.8 mm
	Šírka kosenia	47 cm
	Max. rýchlosť samohybného zariadenia	6.4 km/h
	Výška kosenia	20-80 mm
	Polohy výšky kosenia	7
	Objem vaku na zber trávy	70 L
	Stupeň ochrany	IPX4
	Doba chodu	70min@11Ah****
	Hmotnosť stroja (bez výstroje)	38 kg

** X = 1-999, A-Z, M1-M9 sú len pre rôznych zákazníkov, medzi týmito modelmi nie sú žiadne zmeny týkajúce sa bezpečnosti.

*** Napätie merané bez prevádzkového zaťaženia. Počiatočné nabitie batérie dosahuje maximálne 60 Voltov. Nominálne napätie je 54 Voltov.

**** Doba chodu sa môže líšiť v závislosti od spôsobu používania kosačky a trávnatých podmienok. Zvolená úroveň otáčok kosenia ovplyvňuje dobu prevádzky batérie. Čím nižšia je úroveň otáčok kosenia, tým dlhšia je doba chodu.

ODPORÚČANÉ BATÉRIE A NABÍJAČKY

Batériový	Kapacita	Nabíjačka	Amperage
KAC810	11 Ah	KAC840	30 A

Odporúčame, aby ste si príslušenstvo zakúpili u toho istého predajcu, ktorý vám predal prístroj. Ďalšie podrobnosti nájdete na obale príslušenstva. Váš predajca vám môže pomôcť a poradiť.

TECHNICKÉ ÚDAJE PRE BATÉRIU (VOLITEL'NÉ)

Frekvenčné pásma pre Bluetooth	2400-2483.5 MHz
Maximálny prenášaný výkon pre Bluetooth	8 dBm

INFORMÁCIE O HLUKU

Meraný akustický tlak	$L_{pA} = 83.2 \text{ dB(A)}$
K_{pA}	3 dB(A)
Meraný akustický výkon	$L_{wA} = 95.84 \text{ dB(A)}$
K_{wA}	0.65 dB(A)

Používajte ochranu sluchu.



INFORMÁCIE O VIBRÁCIÁCH

Typická nameraná hodnota vibrácií $a_n < 2.5 \text{ m/s}^2$

Nepresnosť $K = 1.5 \text{ m/s}^2$

⚠ VÝSTRAHA: Hodnota emisie vibrácií počas skutočného používania elektrického náradia sa môže odlišovať od deklarovanej hodnoty, a to v závislosti od spôsobu používania náradia a v závislosti od nasledujúcich príkladov odchýlok od spôsobu používania náradia:

Akým spôsobom sa náradie používa a aké materiály budú rezané alebo vŕtané.

Náradie je v dobrom stave a je dobre udržiavané.

Používanie správneho príslušenstva v spojení s náradím a zabezpečenie jeho ostrosti a dobrého stavu.

Tesnosť zovretia rúkoviek a používanie doplnkov proti vibráciám.

Používanie náradia na podľa konštrukcie určený účel a v súlade s pokynmi.

Toto náradie môže vyvolať syndróm trasenia rúk a ramien, pokiaľ jeho používanie nie je správnym spôsobom riadené.


⚠ VÝSTRAHA: Kvôli presnosti by mal odhad úrovne expozície v skutočných podmienkach používania obsahovať tiež všetky súčasti prevádzkového cyklu, ako sú doby, počas ktorých je náradie vypnuté a počas ktorých beží na voľnobehu, a to mimo skutočného vykonávania práce. Tým môže dôjsť k značnému zníženiu úrovne expozície počas celkového prevádzkového času.

Pomôžte minimalizovať riziko expozície účinkom vibrácií.

VŽDY používajte ostré sekáče a čepele.

Náradie udržiavajte v súlade s týmto návodom a udržiavajte ho dobre namazané (ak je to potrebné). Ak sa náradie používa často, investujte do príslušenstva zabraňujúceho vibráciám. Prácu si naplánujte tak, aby ste akékoľvek používanie náradia pri vysokých vibráciách rozdelili na niekoľko dní.

OCHRANA ŽIVOTNÉHO PROSTREDIA

 Elektrické výrobky sa nesmú likvidovať spolu s domácim odpadom. Recyklujte v zberných miestach na tento účel zriadených. O možnosti recyklácie sa informujte na miestnych úradoch alebo u predajcu.

VYHLÁSENIE O ZHODE

My,
Positec Germany GmbH
Postfach 680194, 50704 Cologne, Germany

V mene spoločnosti Positec vyhlasujeme, že produkt
Popis **Battery powered Lawn Mower**
Typ **KC720 KC720.X (720 - označenie zariadenia,**
predstavujúce kosačku SP so zosilnenou
oceľovou plošinou)
Funkcie **kosenie trávy**

Zodpovedá nasledujúcim smerniciam:
2006/42/EC, 2014/30/EU, 2011/65/EU & (EU)
2015/863, 2000/14/EC v novelizácii 2005/88/EC

2000/14/EC v novelizácii 2005/88/EC:
- Postup vyhodnotenia zhody podľa **Dodatku VI**
- Meraný akustický výkon **95.84 dB (A)**
- Deklarovaný zaručený akustický výkon **96 dB**
(A)

Poverený úradný organ
Názov: TÜV Rheinland LGA Products GmbH
(úradná vyhláška 0197)
Adresa: Tillystraße 2-90431 Nürnberg

Spĺňa posudzované normy,
EN 62841-1, EN IEC 62841-4-3, EN ISO 3744, EN
IEC 55014-1, EN IEC 55014-2, EN IEC 63000

Osoba oprávnená za zostavenie technického
súboru,
Názov Marcel Filz
Adresa Positec Germany GmbH
Postfach 680194, 50704 Cologne, Germany



2024/02/05
Allen Ding
Zástupca vrchnej konštrukčnej kancelárie,
Testovanie & Certifikácia
Positec Technology (China) Co., Ltd
18, Dongwang Road, Suzhou Industrial
Park, Jiangsu 215123, P. R. China

KAZALO VSEBINE

Uvod.....	229
Sestavni deli.....	231
Varnost izdelka.....	232
Sestavljanje in način uporabe.....	235
Prevoz.....	240
Vzdrževanje.....	240
Čiščenje.....	241
Shranjevanje.....	242
Odpravljanje napak.....	243
Tehnični podatki.....	244
Varovanje okolja.....	245
Izjava o skladnosti.....	245

SL

UVOD

Spoštovana stranka,

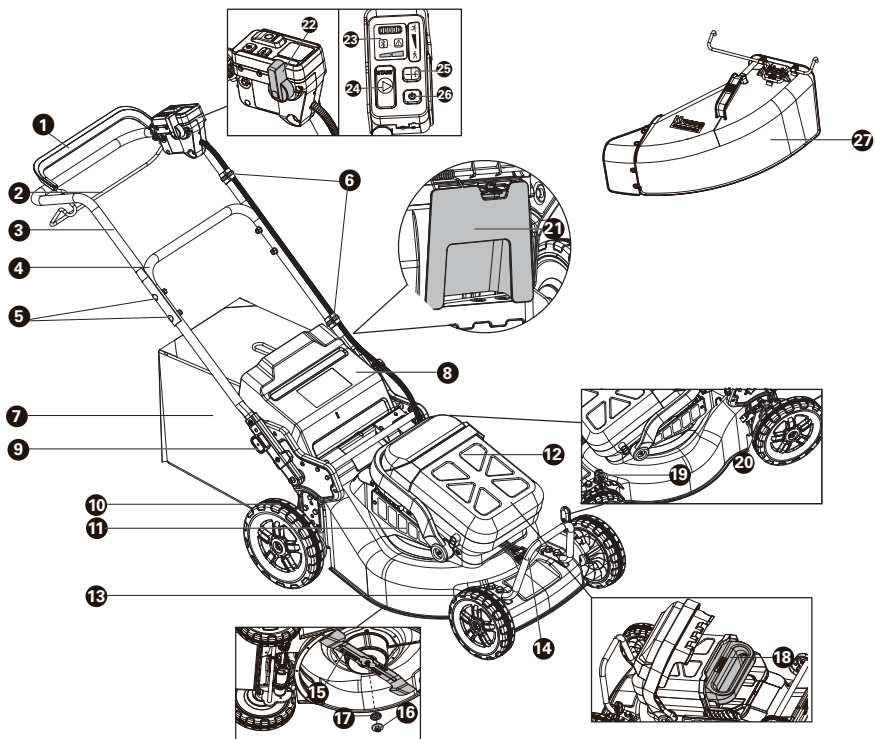
Hvala za nakup tega izdelka Kress Commercial. Predani smo razvoju visokokakovostnih izdelkov, ki ustrezajo vašim zahtevam komercialnega urejanja okolice.

Znamka Kress je sinonim za storitve vrhunske kakovosti. Če imate v času življenjske dobe vašega izdelka kakršna koli vprašanja ali pomisleke glede vašega izdelka, se za pomoč obrnite na svojega prodajalca ali našo skupino za pomoč strankam.

Prepričani smo, da boste z uporabo vašega izdelka Kress uživali še vrsto let.

NAMEN UPORABE

Ta izdelek je namenjen komercialni košnji trate.



SESTAVNI DELI

1. ROČAJ ZA UPRAVLJANJE (VKLOP REZILA)
2. ROČAJ ZA VKLOP SAMOHODNEGA POGONA
3. ZGORNJI ROČAJ
4. SPODNJI ROČAJ
5. PRITRDILNI ELEMENTI ROČAJA
6. KABELSKA SPONKA
7. KOŠ ZA ZBIRANJE TRAVE
8. VARNOSTNA LOPUTA
9. GUMB ZA NASTAVITEV VIŠINE
10. ZADNJE KOLO
11. ZRAČNI FILTER
12. POKROV PROSTORA ZA BATERIJE
13. SPREDNJE KOLO
14. ZAŠČITA MOTORJA
15. REZILO
16. VIJAK REZILA
17. DISTANČNIK
18. BATERIJSKI SKLOP
19. SPREDNJA ROČICA ZA NASTAVITEV VIŠINE REZA
20. ZADNJA ROČICA ZA NASTAVITEV VIŠINE REZA
21. ZATIČ ZA MULČENJE
22. REGULATOR HITROSTI SAMOHODNEGA POGONA
23. LED INDIKATORJI
24. GUMB ZA ZAGON REZILA
25. REGULATOR HITROSTI REZANJA
26. STIKALO ZA VKLOP/IZKLOP
27. ŽLEB ZA STRANSKI IZMET*

* Pri standardni dobavi niso vključeni vsi prikazani dodatki.

IZVIRNA NAVODILA VARNOST IZDELKA SPLOŠNA VARNOSTNA OPOZORILA



OPOZORILO Pred uporabo orodja, pazorno preberite vsa varnostna opozorila, navodila, preglejte ilustracije ter preverite tehnične podatke orodja. Neupoštevanje opozoril in navodil lahko privede do električnega udara in/ali resnih poškodb. Vsa opozorila in napotila shranite, ker jih boste v prihodnje še potrebovali.

Pojem „električno orodje“, ki se pojavlja v nadaljnjem besedilu, se nanaša na električna orodja z električnim pogonom (z električnim kablom) in na akumulatorska električna orodja (brez električnega kabla).

1) Varnost na delovnem mestu

- a) Delovno področje naj bo vedno čisto in dobro osvetljeno. Neredi in neosvetljena delovna področja lahko povzročijo nezgode.
- b) Ne uporabljajte električnega orodja v okolju, kjer lahko pride do eksplozij oziroma tam, kjer se nahajajo vnetljive tekočine, plini ali prah. Električna orodja povzročajo iskenje, zaradi katerega se lahko prah ali para vnameta.
- c) Prosimo, da med uporabo električnega orodja ne dovolite otrokom ali drugim osebam, da bi se vam približali. Odvračanje Vaše pozornosti drugam lahko povzroči izgubo kontrole nad napravo.

2) Električna varnost

- a) Priključni vtikač električnega orodja se mora prilegati vtičnici. Spreminjanje vtičača na kakršenkoli način ni dovoljeno. Pri ozemljenih električnih orodjih ne uporabljajte vtičačev z adapterji. Nespremenjeni vtičači in ustrezne vtičnice zmanjšujejo tveganje električnega udara.
- b) Zogibajte se telesnemu stiku z ozemljenimi površinami kot so na primer cevi, grelci, štedilniki in hladilniki. Tveganje električnega udara je večje, če je Vaše telo ozemljeno.
- c) Stroja ne uporabljajte v dežju ali mokrih pogojih. To lahko poveča nevarnost električnega udara.
- d) Ne uporabljajte kabla za nošenje ali obešanje električnega orodja in ne vlecite za kabel, če želite vtičač izvleči iz vtičnice. Kabel zavarujte pred vročino, oljem, ostrimi robovi ali premikajočimi se deli naprave. Poškodovani ali zapleteni kabli povečujejo tveganje električnega udara.
- e) Kadar uporabljate električno orodje zunaj, uporabljajte samo kabelske podaljške, ki so primerni za delo na prostem. Uporaba kabelskega podaljška, ki jê primeren za delo na prostem, zmanjšuje tveganje električnega udara.

- f) Če je uporaba električnega orodja v vlažnem okolju neizogibna, uporabljajte stikalo za zaščito pred kvarnim tokom. Uporaba zaščitnega stikala zmanjšuje tveganje električnega udara.

3) Osebna varnost

- a) Bodite pozorni, pazite kaj delate ter se dela z električnim orodjem lotite z razumom. Ne uporabljajte električnega orodja, če ste utrujeni oziroma če ste pod vplivom mamil, alkohola ali zdravil. Trenutek nepazljivosti med uporabo električnega orodja je lahko vzrok za resne telesne poškodbe.
- b) Uporabljajte osebno zaščitno opremo in vedno nosite zaščitna očala. Nošenje osebne zaščitne opreme, na primer maske proti prahu, nedrsečih zaščitnih čevljev, varnostne čelade ali zaščitnih glušnikov, kar je odvisno od vrste in načina uporabe električnega orodja, zmanjšuje tveganje telesnih poškodb.
- c) Zogibajte se nenamernemu zagonu. Pred priključitvijo električnega orodja na električno omrežje in/ali na akumulator in pred dviganjem ali nošenjem se prepričajte, če je električno orodje izklopljeno. Prenašanje naprave s prstom na stikalu ali priključitev vklopljenega električnega orodja na električno omrežje je lahko vzrok za nezgodo.
- d) Pred vklopljanjem električnega orodja odstranite nastavitvena orodja ali izvijače. Orodje ali ključ, ki se nahaja v vrtečem se delu naprave, lahko povzroči telesne poškodbe.
- e) Izogibajte se nenormalni telesni drži. Poskrbite za trdno stojišče in za stalno ravnotežje. Tako boste v nepričakovanih situacijah električno orodje lahko bolje nadzorovali.
- f) Nosite primerna oblačila. Ne nosite ohlapnih oblačil in nakita. Poskrbite, da se med delovanjem električnega orodja vaši lasje, oblačila in rokavice, ne bodo ujeli med premikajoče se dele. Premikajoči se deli orodja lahko zagrabijo ohlapno oblačilo, dolge lase ali nakit.
- g) Če ima električno orodje predvideno namestitev enot za odsesavanje prahu ali zbiranje delcev, poskrbite, da bodo te tudi pravilno nameščene in uporabljene. Če uporabljate enoto za zbiranje delcev, obstaja manjša nevarnost nesreč zaradi prahu.
- h) Upošteвайте, da boste s pogosto uporabo orodja, z njim postali zelo domači, zaradi česar bi lahko ravnali ravnodušno, ter spregledali varnostna pravila za uporabo orodja. Nepremišljeno ravnanje lahko že v trenutku nepazljivosti, povzroči resne poškodbe.
- 4) Skrbna uporaba in ravnanje z električnimi orodji
- a) Ne preobremenjujte naprave. Pri delu uporabljajte električna orodja, ki so za to delo namenjena. Z ustreznim električnim orodjem boste v navedenem zmogljivostnem

področju delali bolje in varneje.

- b) **Ne uporabljajte električnega orodja s pokvarjenim stikalom.** Električno orodje, ki se ne da več vklopiti ali izklopiti, je nevarno in ga je potrebno popraviti.
- c) **Pred vsakršnimi prilagoditvami, nastavitvami, menjavanjem priključkov ali shranjevanjem, morate električno orodje izklopiti iz napajanja ali iz njega odstraniti akumulator.** Ta previdnostni ukrep preprečuje nenameren zagon električnega orodja.
- d) **Električna orodja, ki jih ne uporabljate, shranjujte izven dosega otrok.** Osebam, ki naprave ne poznajo ali niso prebrale teh navodil za uporabo, naprave ne dovolite uporabljati. Električna orodja so nevarna, če jih uporabljajo neizkušene osebe.
- e) **Električna orodja in pripomočke redno vzdržujte.** Nadzirajte brezhibno delovanje premičnih delov orodja, ki si se ne smejo zatikati. Če so ti deli zlomljeni ali poškodovani do te mere, da ovirajo delovanje električnega orodja, jih je potrebno pred uporabo orodja popraviti. Slabo vzdrževana električna orodja so vzrok za mnoge nezgode.
- f) **Rezalna orodja vzdržujte tako, da bodo vedno ostrina in čista.** Skrbno negovana rezalna orodja z ostrimi robovi se manj zatikajo in so lažje vodljiva.
- g) **Električna orodja, pribor, vsadna orodja in podobno uporabljajte ustrezno tem navodilom.** Pri tem upoštevajte delovne pogoje in dejavnost, ki jo boste opravljali. Uporaba električnih orodij v namene, ki so drugačni od predpisanih, lahko privede do nevarnih situacij.
- h) **Poskrbite, da bodo ročaji in ostale prijemalne površine, vedno suhi, čisti in brez ostankov olj ali masti.** Če pride do nepredvidenih situacij, vam spolzki ročaji in prijemalne površine ne zagotavljajo varnega rokovanja in nadzora nad orodjem.
- 5) **Skrbno ravnanje in uporaba akumulatorskih orodij**
 - a) **Akumulatorske baterije polnite samo v polnilnikih, ki jih priporoča proizvajalec.** Polnilnik, ki je namenjen določeni vrsti akumulatorskih baterij, se lahko vname, če ga boste uporabljali skupaj z drugačnimi akumulatorskimi baterijami.
 - b) **V električnih orodjih uporabljajte le akumulatorske baterije, ki so zanje predvidene.** Uporaba drugih akumulatorskih baterij lahko povzroči telesne poškodbe ali požar.
 - c) **Akumulatorska baterija, katere ne uporabljate, ne sme priti v stik s pisarniškiimi sponkami, kovanci, želblji, vijaki in drugimi manjšimi kovinskimi predmeti, ki bi lahko povzročili premostitev kontaktov.** Kratek stik med akumulatorskimi kontakti lahko ima za posledico opekline ali požar.

- d) **V primeru napačne uporabe lahko iz akumulatorske baterije izteče tekočina.** Izogibajte se kontaktu z njo. Pri naključnem kontaktu s kožo spirajte z vodo. Če pride tekočina v oko, dodatno poiščite tudi zdravniško pomoč. Iztekajoča akumulatorska tekočina lahko povzroči draženje kože ali opekline.
- e) **Ne uporabljajte poškodovanih ali prilagojenih akumulatorskih baterij oz. orodij.** Poškodovane ali prilagojene akumulatorske baterije ali prilagojene akumulatorske baterije se lahko nepredvidljivo obnašajo, kar lahko povzroči požar, eksplozijo ali tveganje za poškodbe.
- f) **Akumulatorske baterije ali orodja ne izpostavljajte ognju previsoki temperaturi.** Izpostavljenost ognju ali vročini nad 130°C lahko povzroči eksplozijo.
- g) **Upoštevajte navodila za polnjenje in ne polnite akumulatorske baterije ali orodja pri temperaturi, ki je izven območja, navedenega v navodilih.** Če orodje polnite na nepravilen način ali pri temperaturah, ki so izven določenega območja, lahko pride do poškodb akumulatorske baterije, kar poveča tveganje za požar.
- 6) **Servisiranje**
 - a) **Vaše električno orodje naj popravlja le kvalificirano strokovno osebe, ki uporablja originalne nadomestne dele.** Tako bo zagotovljena predpisana varna uporaba orodja.
 - b) **Nikoli ne servisirajte poškodovanih akumulatorjev.** Poškodovane akumulatorje lahko servisira le proizvajalec ali pooblaščen servisier.

SL

BEZPEČNOSTNÉ VÝSTRAHY TÝKAJÚCE SA KOSAČKY TRÁVNÍKA

- a) **Kosačku nepoužívajte v zlých poveternostných podmienkach, obzvlášť vtedy, keď existuje riziko bleskov.** Znižuje to riziko zásahu bleskom.
- b) **Dôkladne skontrolujte priestor, kde sa má kosačka použiť, či sa tam nenachádzajú zvieratá.** Pri prevádzke kosačky by mohlo dôjsť k ich poraneniu.
- c) **Dôkladne skontrolujte priestor, kde sa má kosačka použiť, a odstráňte všetky kamene, palice, drôty, kosti a iné cudzie predmety.** Odletujúce predmety by mohli spôsobiť poranenia osôb.
- d) **Pred použitím kosačky vizuálne skontrolujte, či nie je poškodený alebo opotrebovaný nôž a zostava noža.** Opatrebované a poškodené súčasti zvyšujú riziko zranenia.
- e) **Často kontrolujte opotrebovanie a poškodenie zásobníka na trávu.** Opatrebovaný alebo poškodený zásobník na trávu môže zvýšiť riziko osobného poranenia.

- f) **Ochranné kryty nechajte na mieste. Ochranné kryty musia byť funkčné a riadne namontované.** Ochranný kryt, ktorý je uvoľnený, poškodený alebo nefunguje správne, môže spôsobiť zranenie osôb.
- g) **Udržujte všetky vstupy chladiaceho vzduchu bez nečistôt.** Zablokované vstupy vzduchu a nečistoty môžu viesť k prehriatiu alebo nebezpečenstvu požiaru.
- h) **Počas používania kosačky noste vždy protišmykovú ochrannú obuv. Kosačku nepoužívajte, keď ste bosí alebo máte obuté otvorené sandále.** Znižuje to riziko zranenia nôh spôsobených kontaktom s pohyblivým s nožom.
- i) **Pri práci s kosačkou majte vždy oblečené dlhé nohavice.** Odhalené časti pokožky zvyšujú pravdepodobnosť poranenia od odletujúcich predmetov.
- j) **Kosačku nepoužívajte v mokrej tráve. Kráčajte, nikdy nebežte.** Znižuje to riziko pošmyknutia a pádu, ktoré môže viesť k zraneniu..
- k) **Kosačku nepoužívajte na príliš strmých svahoch.** Znižuje to riziko straty kontroly, pošmyknutia alebo pádu, čo by mohlo viesť k zraneniam.
- l) **Pri práci na svahoch vždy skontrolujte svoje postavenie. Vždy pracujte smerom cez svah, nikdy nie smerom nadol alebo nahor a pri zmene smeru buďte mimoriadne opatrní.** Znižuje to riziko straty kontroly, pošmyknutia alebo pádu, čo by mohlo viesť k zraneniam.
- m) **Buďte mimoriadne opatrní, keď ťaháte kosačku dozadu alebo smerom k sebe. Vždy dávajte pozor na okolie.** Znižuje to riziko zakopnutia.
- n) **Nedotýkajte sa nožov ani iných nebezpečných pohyblivých častí, kým sú ešte v pohybe.** Znižuje to riziko poranenia pohyblivými časťami.
- o) **Pri odstraňovaní zaseknutého materiálu alebo čistení kosačky dbajte na to, aby boli všetky spínače vypnuté a batériový blok bol odpojený.** Neočakávané spustenie kosačky môže viesť k vážnemu osobnému poraneniu.
- d) **Akumulátorja ne izpostavljajte mehanskim udarcem.**
- e) **Če opazite, da akumulator pušča, pazite, da tekočina ne bo prišla v stik z očmi. Če akumulatorska tekočina vseeno pride v stik z očmi, izperite prizadeto območje z obilo vode in poiščite zdravniško pomoč.**
- f) **Akumulator shranjujete na čistem in suhem mestu.**
- g) **Če se akumulator zamaže, ga takoj očistite s čisto in suho krpo.**
- h) **Akumulator morate pred uporabo napolniti. Pri polnjenju akumulatorja vedno upoštevajte predpisana navodila in postopke.**
- i) **Če akumulatorja ne polnite, ga odstranite iz polnilca.**
- j) **Po daljšem obdobju skladiščenja, boste za dosego maksimalne zmogljivosti akumulatorja verjetno morali slednjega nekajkrat napolniti in izprazniti.**
- k) **Za polnjenje uporabljajte le polnilnike, ki jih je predpisal Kress. Nikoli ne uporabljajte polnilnikov, ki niso posebej namenjeni za polnjenje vašega akumulatorja.**
- l) **Nikoli ne uporabljajte polnilcev, ki niso posebej zasnovani za polnjenje vašega akumulatorja.**
- m) **Akumulatorje shranjujete izven dosega otrok.**
- n) **Za podrobnosti, si oglejte gradivo, ki je bilo priloženo akumulatorju.**
- o) **Če orodja ne uporabljate, iz njega odstranite akumulator.**
- p) **Akumulatorje odlagajte skladno s predpisi.**
- q) **V napravi ne uporabljajte celic različnih proizvajalcev, zmogljivosti, velikosti ali tipa.**
- r) **Baterije držite stran od mikrovalov in visokega tlaka.**
- s) **Opozorilo! Ne uporabljajte neponovno polnilnih baterij.**

VARNOSTNA OPOZORILA ZA AKUMULATOR

- a) **Ne razstavljajte, odpirajte ali odstranjujete celic akumulatorja.**
- b) **Pazite, da ne povzročite kratkega stika med kontaktoma akumulatorja. Akumulatorjev nikoli ne shranjujete v škatli ali predalu, kjer bi lahko prišlo do kratkega stika zaradi stika kontaktov s prevodnimi predmeti.** Kadar akumulator ni nameščen v orodju, ga hranite proč od drugih kovinskih predmetov, kot so sponke za papir, kovanci, ključi, žebliji, vijaki ali drugi drobni kovinski predmeti, ki bi lahko omogočili stik med kontaktoma. Če pride do stika med kontaktoma akumulatorja, to lahko povzroči požar.
- c) **Akumulatorja ne izpostavljajte vročini ali ognju. Poskrbite, da ne bo izpostavljen neposredni sončni svetlobi.**

ZAHTEVE ZA UPORABNIŠKI PRIROČNIK ZA BREŽIČNI IZDELEK


- a) **Delovanje te naprave je odvisno od naslednjih dveh pogojev:**
 (1) Ta naprava ne sme povzročati škodljivih motenj in
 (2) ta naprava mora sprejeti vse prejete motnje, vključno z motnjami, ki lahko povzročijo neželeno delovanje.
- b) **Pozor:** Spremembe ali modifikacije te enote, ki jih stranka, odgovorna za skladnost, izrecno ne odobri, lahko razveljavijo uporabnikovo pooblastilo za uporabo opreme.
- c) **OPOMBA:** Ta oprema ustvarja, uporablja in lahko oddaja radiofrekvenčno energijo in lahko povzroči škodljive motnje v radijskih komunikacijah, če ni nameščena in uporabljena v skladu z navodili. Vendar ni nobenega

zagotovila, da ne bo prišlo do motenj pri določeni namestitvi. Če ta oprema povzroča škodljive motnje pri radijskem ali televizijskem sprejemu, kar je mogoče ugotoviti z izklopom in vklopom opreme, uporabnika spodbujamo, da poskuša odpraviti motnje z enim ali več od naslednjih ukrepov:

- Spremenite ali premaknite sprejemno anteno.
- Povečajte razdaljo med opremo in sprejemnikom.
- Priključite opremo v vtičnico na tokokrogu ki ni enak tistemu, na katerega je priključen sprejemnik.
- Za pomoč se posvetujte s prodajalcem ali izkušenim radijskim/TV tehnikom.


SIMBOLI

	Zaradi zmanjševanja nevarnosti poškodb, se temeljito seznanite z navodili za uporabo
	Opozorilo
	VÝSTRAHA – Dávajte pozor na odletujúce predmety – nepovolané osoby sa musia zdržiavať ďalej
	VÝSTRAHA – Rukami ani nohami sa nepribližujte k nožom
	VÝSTRAHA – Pred údržbou odpojte batériu
	Nôž sa naďalej otáča aj po vypnutí zariadenia. Pred dotýkaním sa súčastí zariadenia počkajte, kým sa úplne nezastavia.
	Nosite zaščitne rukavice
	Pred vykonávaním akéhokoľvek nastavenia, servisu alebo údržby odpojte batériu od zástrčky.

	Če se baterije nepravilno odlaga, lahko vstopijo v vodni cikel, kar pa je lahko nevarno za ekosistem. Odpadnih baterij ne odlagajte v nesortirane komulane odpadke
	Prepovedano sežiganje.
	Visoka hitrost
	Nizka hitrost
 Li-Ion	Baterije Li-Ion Ta izdelek je označen s simbolom, ki se nanaša na 'ločeno zbiranje' za vse baterijske napajalnike in baterijski napajalnik. Nato bodo reciklirane ali razstavljene, da se zmanjša škodljiv vpliv na okolje. Baterijski napajalniki vsebujejo nevarne snovi in so zato lahko nevarni za okolje in za zdravje ljudi.
	Odpadnih električnih naprav ne smete zavreči skupaj z ostalimi gospodinjstskimi odpadki. Dostavite jih na mesto za ločeno zbiranje odpadkov. Glede podrobnosti, se posvetujte z lokalno službo za ravnanje z odpadki.

SL

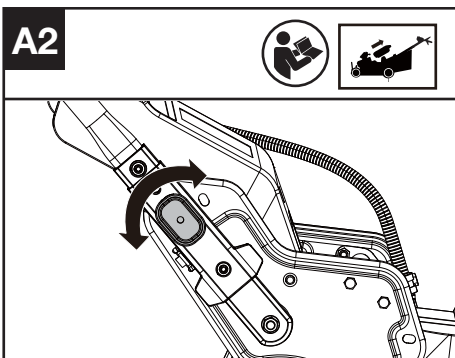
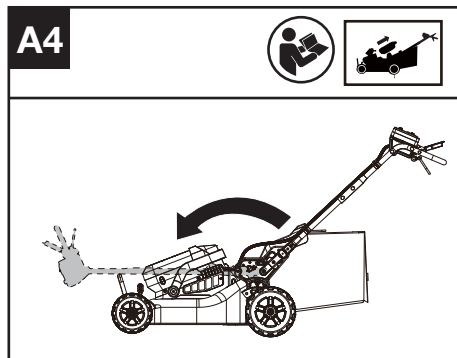
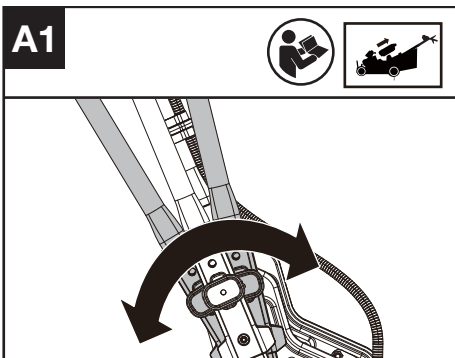
SESTAVLJANJE IN NAČIN UPORABE

 **OPOMBA:** Pred uporabo orodja natančno preberite navodila za uporabo.

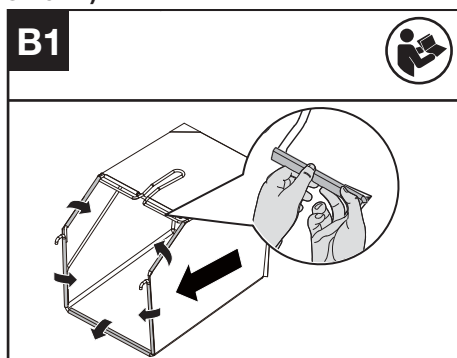
 **PRED UPORABO:**

Nastavitev višine ročaja in sestavljanje spodnjih ročajev. (glejte slike A1, A2)

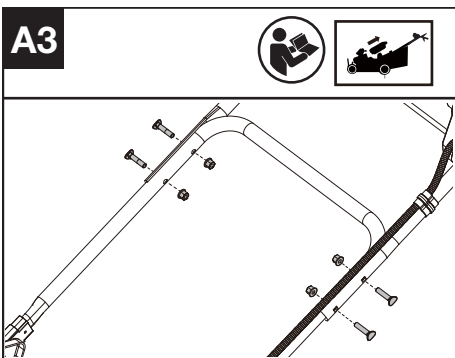
Izberete lahko med 3 stopnjami višine. Izberite ustrezno višino in zavrtite gumb za nastavitev višine.



Sestavljanje vreče za zbiranje trave (glejte sliko B1)



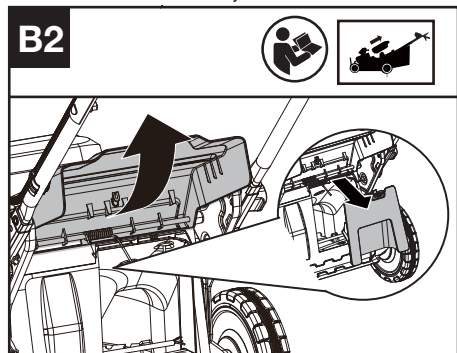
Sestavljanje zgornjega ročaja. (glejte sliko A3)



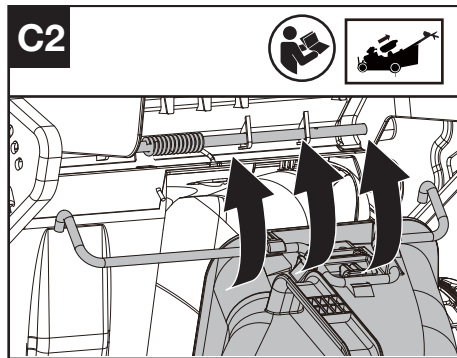
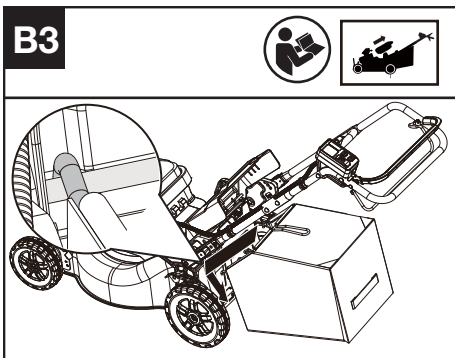
Montaža vreče za zbiranje trave na kosilnico (glejte sliko B2,B3,B4)

OPOMBA: Rahlo pritisnite vrečo za zbiranje trave, da zagotovite, da je popolnoma nameščena.

OPOMBA: Pred namestitvijo vreče za zbiranje trave odstranite zatič za mulčenje iz kosilnice.



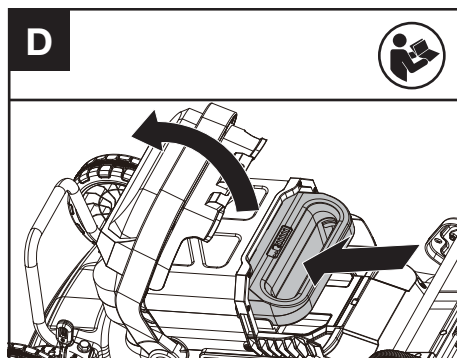
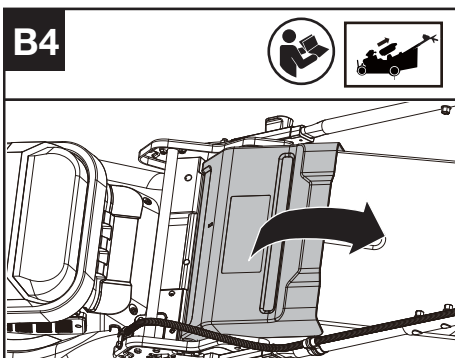
OPOMBA: Ročaji se lahko zložijo za prevoz ali shranjevanje izven sezone. (glejte sliko A4)



Preverjanje stanja napolnjenosti baterije in polnjenje baterijskega sklopa.

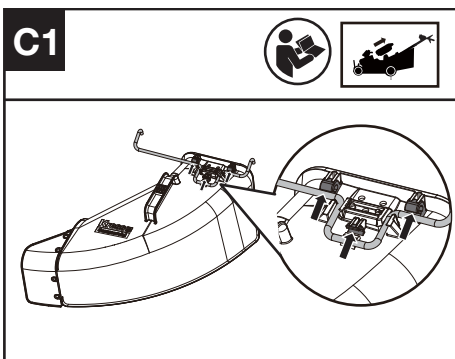
OPOMBA: Baterije so dostavljene nenapolnjene. Pred prvo košnjo je treba vsako baterijo povsem napolniti. Več podrobnosti najdete v priročniku za baterijo in polnilnik.

Namestitev/odstranjanje baterije (glejte sliko D)



Sestavljanje žleba za stranski izmet na vrtno kosilnico (Glej slike C1,C2)

OPOMBA: Preden sestavite žleb za stranski izmet, snemite iz vrtno kosilnico čep za mulčenje in odstranite vrečo za zbiranje trave.



Preverjanje kontrol

1. Odstranite baterijo.
2. Poskusite pritisniti stikalo za vklop/izklop, gumb za zagon rezila ali regulator hitrosti rezanja. Če se stikalo za vklop/izklop, gumb za zagon rezila ali regulator hitrosti rezanja zatakne in se ne more vrniti v prvotni položaj, prenehajte uporabljati kosilnico in se obrnite na serviserja.
3. Poskusite potegniti in sprostiti ročaj za upravljanje ali ročaj za vklop samohodnega pogona. Če se ročaj za upravljanje ali ročaj za vklop samohodnega pogona zatakne in se ne more vrniti v prvotni položaj, prenehajte uporabljati kosilnico in se obrnite na serviserja.
4. Zavrtite regulator hitrosti samohodnega pogona. Če se regulator hitrosti samohodnega pogona zatakne, prenehajte uporabljati kosilnico in se obrnite na serviserja.

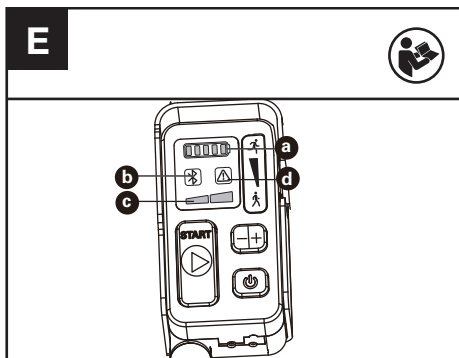
Preverjanje zaslona (glejte sliko E)

1. Namestite baterijo.
2. Nadaljujte s pritiskom na stikalo za vklop/izklop, da indikator baterije (a) ter indikator hitrosti rezanja (c) zasvetita.
3. Pritisnite gumb za zagon rezila in povlecite ročaj za upravljanje, da zaženete stroj.
4. Če opozorilni indikator (d) utripa, glejte **Odpravljanje napak**, da najdete rešitev.
5. Sprostite ročaj za upravljanje. Rezilo se po kratkem zamiku preneha vrteti. Če se kosilnica ne zaustavi, odstranite baterijo in stopite v stik s serviserjem.

LED indikatorji

- a. INDIKATOR BATERIJE
- b. INDIKATOR BLUETOOTH
- c. INDIKATOR HITROSTI REZA
- d. OPOZORILNI INDIKATOR

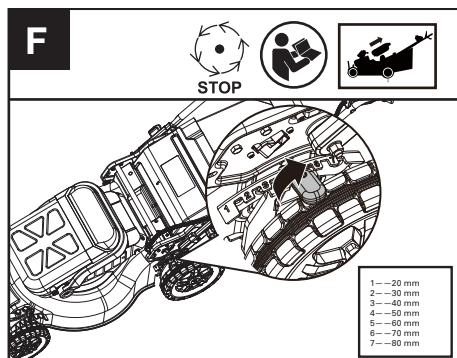
OPOMBA: Ko stroj ne deluje pravilno, bo opozorilni indikator utripal rdeče ali rumeno. Če utripa rdeča lučka, poiščite pomoč pri prodajalcu. Če utripa rumena lučka, izklopite stroj, odstranite baterijski sklop, nato ponovno namestite baterijski sklop in vklopite stroj. Če rumena lučka še naprej utripa, poiščite pomoč pri prodajalcu.



Nastavitev višine reza (glejte sliko F)

Višino reza prilagodite z ročicama za nastavitev višine reza na sprednjem in zadnjem kolesu.

OPOMBA: Pri nastavljanju višine poskrbite, da so sprednja in zadnja kolesa v istem položaju.



! OPOZORILO! Ustavite, spustite upravljalni ročaj in počakajte, da se motor ustavi, preden nastavljate višino. Rezila se bodo po izklopu motorja še nekaj časa vrtela, zaradi česar se lahko poškodujete. Ne dotikajte se vrtečih se rezil.

DELOVANJE

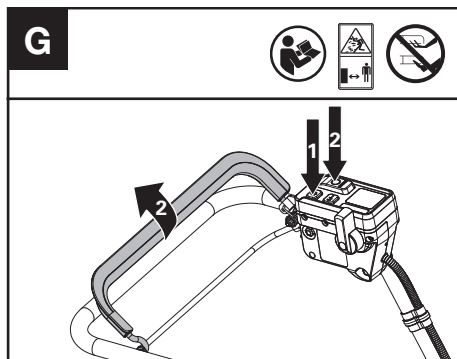
Zagon in zaustavitev kosilnice (glejte sliko G)

1. Pritisnite stikalo za vklop/izklop
2. Pritisnite gumb za zagon rezila za rezanje (držite navzdol) in povlecite ročaj za upravljanje, da zaženete stroj.
3. Za zaustavitev spustite ročaj za upravljanje.

! OPOZORILO! Rezilo se še naprej vrti tudi po izklopu kosilnice; počakajte, da se popolnoma zaustavi.

OPOMBA: Za zagon istočasno pritisnite gumb za zagon rezila in ročaj za upravljanje.

OPOMBA: Nadaljujte s pritiskom na stikalo za vklop/izklop in zaslon zasveti. Če v 60 sekundah ne izvedete nobene operacije, se zaslon samodejno izklopi.

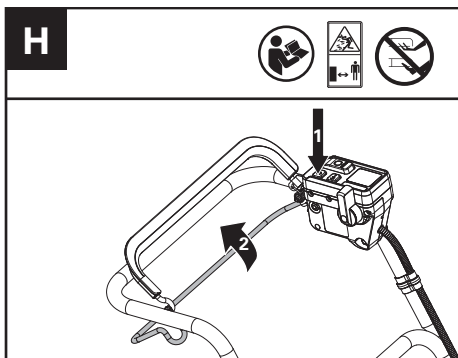


Upravljanje sistema samohodnega pogona (glejte sliko H)

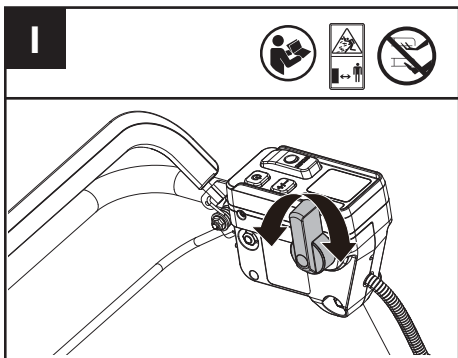
1. Pritisnite stikalo za vklop/izklop
2. Povlecite ročaj za vklop samohodnega pogona,

da zaženete sistem samohodnega pogona.

3. Za zaustavitev sprostite ročaj za vklop samohodnega pogona.

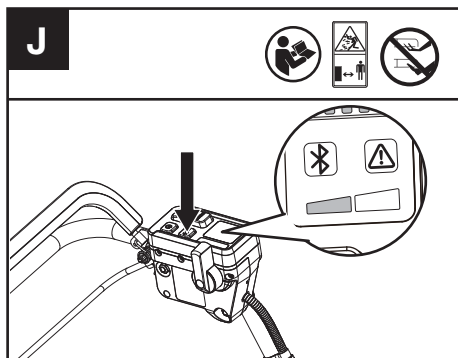


Izbira hitrosti samohodnega pogona (glejte sliko I)



Izbira hitrosti rezanja (glejte sliko J)

Glede na uporabo je mogoče izbrati 2 stopnji hitrosti rezanja. Uporabite +/- za nadzor hitrosti, ki jo prikazujejo LED indikatorji. Višja kot je stopnja hitrosti rezanja, hitreje deluje orodje.



NAPOTKI ZA ZASTIRANJE IN KOŠNJO

Med zastiranjem bo naprava na tanko razrezala pokošeno travo in jo porazdelila nazaj na zelenico. V normalnih pogojih se bo ta trava hitro razgradila in zelenici dovedla ustrezna hranila. Za doseganje optimalne učinkovitosti pri zastiranju, upoštevajte naslednja priporočila.

- 1) Ko je trava mokra zaradi dežja ali rose, se izogibajte košnji. Na mokri travi se lahko tvorijo kepe, ki ovirajo mulčenje in skrajšajo čas delovanja.
- 2) Za doseganje najboljših učinkovitosti, nastavite višino rezanja nad eno tretjino travne bilke, idealno je do 40 mm naenkrat. Če je trava visoka, boste morda morali postopek košnje nekajkrat ponoviti tako, da boste postopoma zniževali višino in tako tudi poskrbeli, da se motor ne bo preobremenil. Pri izjemno zahtevnem zastiranju priporočamo, da rez nekajkrat ponovite s postopnim zniževanjem višine. V nasprotnem primeru izvajajte poševne reze in se premikajte počasi.
- 3) Za najboljšo učinkovitost držite ohišje kosilnice stran od nakopičene trave. Od časa do časa izklopite kosilnico in počakajte, da se rezila popolnoma ustavijo. Nato odstranite baterije in kosilnico obrnite na bok. Okrog območja rezila s predmetom, kot je palica, odstranite nakopičeno travo. Pazite na ostre robove rezila. Ko kosite mokro ali novo travo in vsakič po uporabi stroja, pogosto očistite območje rezila.
- 4) Določene vrste trav ali različni pogoji zahtevajo, da zastiranje opravite v dveh fazah in tako resnično temeljito razpršite zastirko. Priporočamo, da drugi rez trave opravljate pravokotno na smer prvega. **NIKOLI NE KOSITE TAKO, DA BO SE S KOSILNICO POMIKALI NAVPIČNO PO POBOČJU.**
- 5) Vsak teden spreminjajte vzorec košnje. To bo preprečilo pojavljanje lis na zelenici.
- 6) Ne kosite na pobočju z naklonom večjim od 18°.

OBMOČJE REZANJA

Območje rezanja vključuje več dejavnikov. Ti so predvsem višina rezanja, vlažnost zelenice, dolžina trave ter njena gostota. Hkrati pa bo prepegosto zaganjanje ter zaustavljanje kosilnice med košnjo, zmanjšalo območje rezanja.

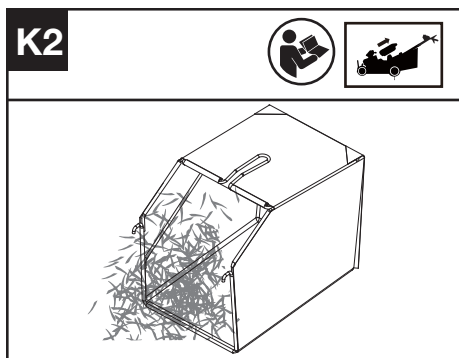
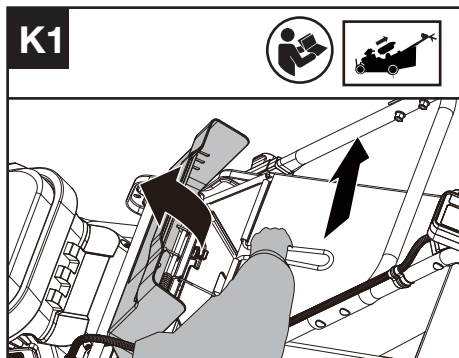
NAPOTKI

- 1) Priporočamo, da zelenico kosite v krajših intervalih, med košnjo hodite z običajno hitrostjo in kosilnice ne zaganjate ter zaustavljate prepegosto.
- 2) Za najboljšo delovanje zagotovite, da je baterijski sklop popolnoma napolnjen in vedno odrežite 1/3 ali manj višine trave. Pred začetkom sezone košnje je priporočljivo namestiti novo rezilo.
- 3) Med košnjo daljše trave se pomikajte počasi, tako, da bo kosilnica učinkoviteje kosila rezila pa bodo sproti izmetavala pokošeno travo.
- 4) Izogibajte se košnji mokre trave, sicer se bo slednja začela kopičiti pod letev in rezila ne bodo mogla učinkovito delovati.
- 5) Če kosite mlado ali tanko travo, priporočamo, da

nastavite višjo višino rezanja.

Odstranjanje/praznjenje vreče za zbiranje trave (glejte slike K1, K2)

⚠ OPOZORILO! Pred uporabo vedno preverite, ali je varnostna loputa zaprla izmetno odprtino. Ko kosilnico uporabljate brez nameščene vreče za zbiranje trave, nikoli ne dvigajte varnostne lopute in ne odstranjujte zatiča za mulčenje.

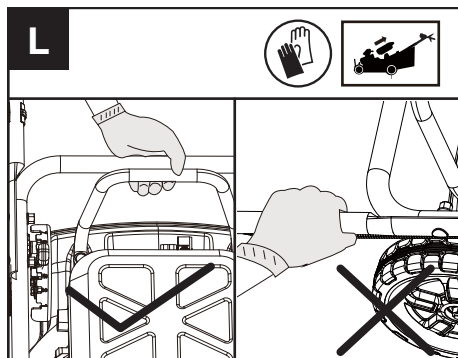


odpadke.

PREVOZ

Prevoz kosilnice

1. Izklopite kosilnico in odstranite baterijo.
2. Pri transportu kosilnice lahko samopogon uporabljate brez vklopa rezila.
3. Za dvigovanje kosilnice je priporočljivo, da jo dve osebi dvigneta z vsake strani kosilnice, pri čemer kot ročaje uporabite zaščito motorja in priključna območja spodnjega ročaja. Pri dviganju stroja v zložljivem položaju primite ščitnik motorja, ne ročajev. (Glej sliko L)



Prevoz baterij

1. Zagotovite, da je baterija v varnem stanju.
2. Pri prevozu baterije uporabite neprevodno embalažo.
3. Za vsebovane Li-ionske baterije veljajo zahteve zakonodaje o nevarnem blagu. Baterije prevažajte samo, če ohišje baterije ni poškodovano. Baterije zapakirajte tako, da se v embalaži ne morejo premikati.

ZA AKUMULATORSKA ORODJA

Priporočeni razpon temperature okolja za praznjenje je -20 °C~45 °C(-4 °F~113 °F).

Priporočeno območje temperature okolice pri polnjenju je -5 °C~45 °C(23 °F~113 °F).

Podrobnosti glede varnega odlaganja uporabljenih baterij:

Ob koncu življenjske dobe naprave varno odstranite baterijski paket, preden napravo odvržete. Ne odlagajte baterij in jih ne mečite v običajen smetnjak. Prav tako ne odstranjujte baterije skupaj z napravo. Odstranite uporabljen baterijski paket iz naprave in ga odložite na najbližji ali priročen poseben zbirni center za recikliranje. V primeru dvoma se posvetujte z lokalnim organom za varstvo okolja. Nespravilno odlaganje baterij lahko privede do vstopa vodnega kroga, kar je lahko nevarno za ekosistem. Ne odvrzite odpadnih baterij med nesortirane komunalne

VZDRŽEVANJE

⚠ OPOZORILO! Preden odstranite vrečo za zbiranje trave, zaustavite kosilnico in odstranite baterijo.

OPOMBA: Za zagotavljanje dolgega in učinkovitega delovanja, redno izvajajte naslednje vzdrževalne postopke. Preverite glede očitnih okvar, pritrjenost delov, topost ali poškodovanost rezil, ter obrabljenosti in drugih poškodb. Preverite, če so pokrovi in varovala v brezhibnem stanju in pravilno pritrjeni na kosilnico. Pred vklopom kosilnice preverite, če je slednja v brezhibnem stanju. Če spregledate priporočeni interval za vzdrževanje, se posvetujte s službo za podporo kupcem.

**BRUŠENJE REZILA
ZA NAJBOLJŠO UČINKOVITOST KOSILNICE
MORA BITI REZILLO OSTRO. TOPO REZILLO
TRAVE NE POKOSI POVSEM ALI JE NE MULČI**

**PRAVILNO.
MED ODSTRANJEVANJEM, BRUŠENJEM IN
NAMEŠČANJEM REZILA NOSITE ZAŠČITO ZA
OČI IN ZAŠČITNE ROKAVICE PROTI UREZU.**

OPOMBA: Brušenje ali zamenjava rezila po vsakih 50 urah. Pesek povzroči, da rezilo hitro otopi. Če ima vaša trata peščena tla, bo morda potrebno pogostejše brušenje ali zamenjava.

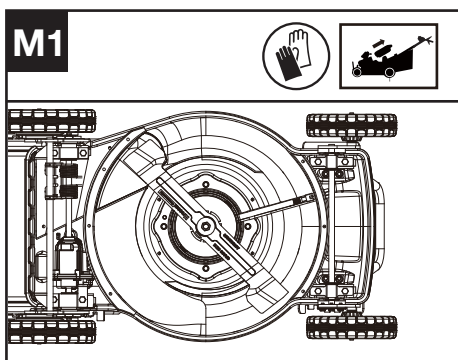
**UPOGNJENO ALI POŠKODOVANO REZILO
NEMUDOMA ZAMENJAJTE.**

PRI BRUŠENJU REZILA

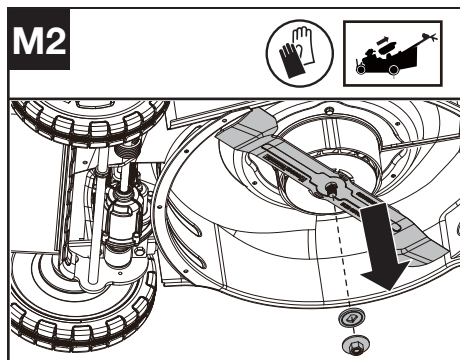
1. Uporabite kos lesa, da preprečite obračanje rezila.
2. Z nasadnim ključem odstranite vijak rezila in nato še rezilo. (Glejte poglavje o odstranjevanju rezila)
3. Vpnite rezilo v primež ali podobno, da preprečite premikanje med brušenjem.
4. Nabrusite rezalne robove na obeh koncih rezila. Prepričajte se, da je z obeh koncev odstranjena enaka količina materiala, da bo rezilo uravnoteženo.
5. Preverite uravnateženost rezila. (Glejte poglavje o uravnateženju rezila)
6. Zamenjajte rezilo v obratnem vrstnem redu kot pri razstavljanju.
7. Prepričajte se, da ste vijak rezila privili na zahtevani navor (25 Nm).

OPOMBA:

1. Prepričajte se, da je kosilnica izklopljena in odstranite baterijo.
2. Privrnite kosilnico na stran, kot je prikazano na sliki M1.

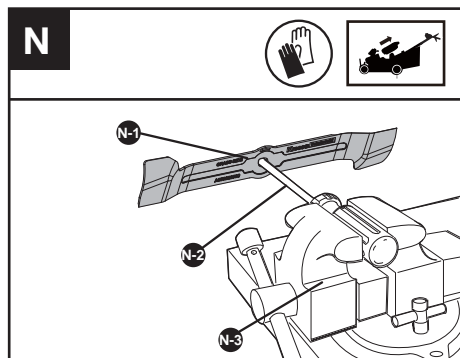


**ODSTRANJEVANJE REZILA (GLEJTE SLKO
M2)**



URAVNAVANJE REZIL (GLEJTE SLIKO N)

Če želite preveriti uravnanoost rezil, postavite rezilo N-1 z osrednjo luknjo na izvijača N-2, ki je dobro vpet v primež N-3. Če se pri tem rezilo nagne, obrustite stran, na katero se je nagnilo. Rezilo je pravilno uravnano tedaj, če se ne nagne na nobeno stran.



ZAMENJAVA REZILA

- Predlagajte zamenjavo različnih rezil kosilnice glede na različne delovne pogoje za boljše uporabo.

REZILO	DELOVANJE
Rezilo z visokim dvigom	Priporočljivo za pakiranje v vrečke
Rezilo Gator	Priporočljivo za mulčenje

ČIŠČENJE

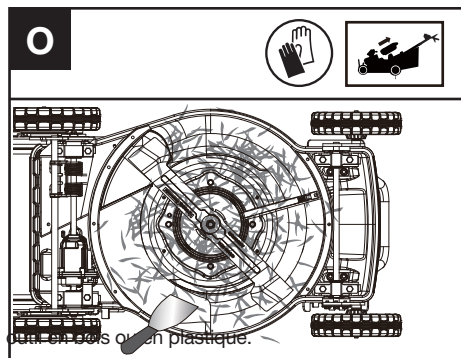
1. Zaustavite kosilnico in odstranite baterijo.
2. Ne uporabljajte agresivnih čistilnih sredstev ali topil. Napravo po uporabi očistite z vlažno krpo, namočeno v nevtralnno čistilno sredstvo.
3. Vtikalna doza mora biti brez tujkov, očistite jo z

- mehko in suho krtačo ali krpo.
- Ne pršite vode na motor in električne komponente.
 - Za čiščenje naprave ne uporabljajte visokotlačnega čistilnika

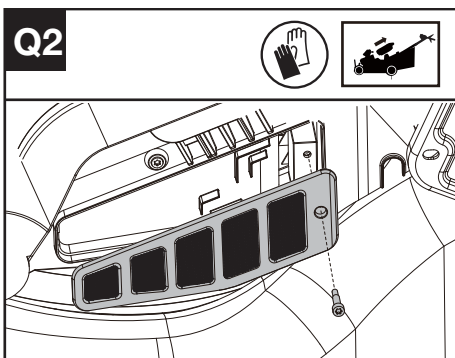
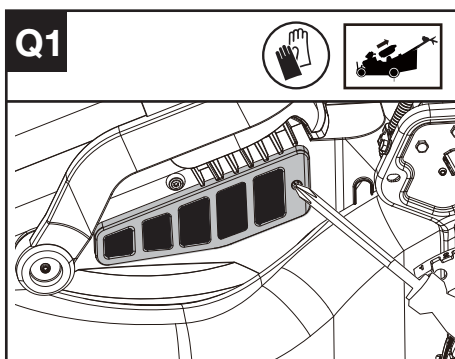
Čiščenje krova in območja rezil. (glejte sliko O)

Čiščenje pokošene trave in odpadkov s krova in območja rezil.

Če je pokošena trava na tem območju stisnjena, jo odstranite z lesenim ali plastičnim pripomočkom

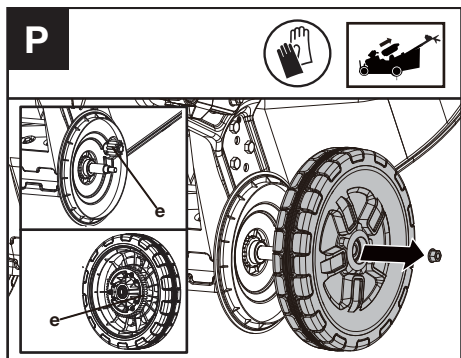


ga namestite v ohišje tako, da privijete z vijaki.



Čiščenje koles. (glejte sliko P)

- Zaustavite kosilnico in odstranite baterijo.
- Čiščenje koles vsakih 50 ur ali pogosteje v ekstremnih pogojih.
- Odstranite zadnja kolesa in očistite pokošeno travo in umazanijo s področja kolesnega gonila.
- Priporočljivo je, da po čiščenju na zobnike (e) naneseite majhno količino zmesi proti zagozdenju.



Čiščenje zračnega filtra (glej sliki Q1, Q2)

- Očistite območje okrog zračnega filtra. Uporabite vlažno krpo ali mehko krtačo.
- Odvijte in odstranite zračni filter.
- Zračni filter sperite s tekočo vodo, da odstranite umazanijo.
- Pustite, da se zračni filter posuši na zraku. In nato

SHRANJEVANJE

- Zaustavite kosilnico in odstranite baterijo.
- Zunanost stroja temeljito očistite z mehko krtačo in krpo. Ne uporabljajte topil ali loščil. Odstranite vso travo in ostanke, zlasti iz prezračevalnih rež, plošče za mulčenje, območja rezil in koles.
- Stroj shranite na suhem mestu, izven dosega otrok in drugih nepooblaščenih oseb. Na vrh stroja ne postavljajte drugih predmetov.
- Za pomoč pri shranjevanju, da zložite ročaj.
- Baterijo shranjujte samo v temperaturnem območju med 5 °C (41 °F) in 25 °C (77 °F). Na primer, poleti ne puščajte baterije v avtu.
- Ko se med delovanjem zmočita zaradi dežja, je treba stroj in baterijo pred shranjevanjem ali polnjenjem posušiti. Odstranite baterijo in jo znova vstavite, če se stroj ne vklopi.

ODPRAVLJANJE NAPAK

Naslednja tabela prikazuje težave in dejanja, ki jih lahko izvedete, če vaša naprava ne deluje pravilno.



OPOZORILO: Pred odpravljanjem težav izklopite stroj in odstranite baterijo.


NAPAKE	DEJANJE ZA ODPRAVO
1. Kosilnica ne deluje, ko je upravljalni ročaj aktiviran.	A. Preverite, ali je gumb za zagon rezila do konca pritisnjen. B. Sprostite ročaj za upravljanje, da izklopite kosilnico. Odstranite baterijo, obrnite kosilnico in preverite, ali se rezilo prosto vrti. Če se ne vrti prosto, ga vrnite pooblaščenemu serviserju. Rezilo se mora prosto vrteti. C. Ali je bila baterija popolnoma napolnjena? Priključite polnilnik in počakajte, da zasveti zelena lučka. D. Za zagon pritisnite gumb za zagon rezila in istočasno povlecite ročaj za upravljanje.
2. Motor se med košnjo zaustavi.	A. Sprostite ročaj za upravljanje, da izklopite kosilnico. Odstranite baterijo, obrnite kosilnico, da preverite, ali je kosilnica zamašena z ostanki trave, odstranite ostanke iz območja vrtenja rezila. Nato preverite, ali se rezilo prosto vrti. Če se ne vrti prosto, ga vrnite pooblaščenemu serviserju. Rezilo se mora prosto vrteti. B. S položajem koles povečajte višino rezanja v najvišji položaj in zaženite kosilnico. C. Ali je akumulator do konca napolnjen? Priklopite polnilnik ter počakajte, da se vklopi zelena lučka. D. Izogibajte se preobremenjevanju kosilnice. Upočasnite premikanje oziroma povečajte višino rezanja. Lahko pa oboje.
3. Kosilnica deluje, vendar ne zadosti učinkovito, oziroma za njo ostaja del zelenice nepokošen.	A. Ali je akumulator do konca napolnjen? Priklopite polnilnik ter počakajte, da se vklopi zelena lučka. B. Sprostite ročaj za upravljanje, da izklopite kosilnico. Odstranite baterijo. Obrnite kosilnico in preverite: rezilo glede ostrine - Naj bo rezilo ostro. Žleb za izmet glede zamašitve. C. Položaj koles je, glede na stanje zelenice, morda nastavljen previsoko. Dvignite višino rezanja.
4. Kosilnico je pretežno potiskati.	A. Dvignite višino rezanja in tako zmanjšajte trenje ohišja ob zelenico. Preverite, če se vsa kolesa prosto vrtijo.
5. Kosilnica je prekomerno glasna in vibrira.	A. Sprostite ročaj za upravljanje, da izklopite kosilnico. Odstranite baterijo. Kosilnico obrnite na stran in preverite rezilo, da se prepričate, da ni upognjeno ali poškodovano. Če je rezilo poškodovano, ga zamenjajte z nadomestnim rezilom. Če je spodnja stran plošče poškodovana, vrnite kosilnico pooblaščenemu servisnemu centru. B. Če na rezilu ni vidnih poškodb in kosilnica še vedno vibrira: Sprostite ročaj za upravljanje, da izklopite kosilnico, odstranite baterijo in odstranite rezilo. Zavrte rezilo za 180 stopinj in ga ponovno privijte. Če kosilnica še vedno vibrira, jo vrnite v pooblaščen servisni center.
6. LED lučka polnilnika ne sveti.	A. Preverite stanje priklopa. B. Zamenjajte polnilnik.
7. LED lučka na polnilniku se ne preklopi na zeleno.	A. Akumulator je potrebno pregledati. Dostavite ga k pooblaščenemu serviserju.

SL

8. Kosilnica noče pobirati pokošene trave v košaro za travo.	A. Zadnji žleb je zamašen. Sprostite ročaj za upravljanje, da izklopite kosilnico. Odstranite baterijo. Žleb očistite pokošene trave. B. Preveč pokošene trave. Povečajte višino reza koles, da skrajšate dolžino reza. C. Vreča je polna. Pogosteje praznite vrečo.
9. Pri mulčenju opazite prevelike kose.	A. Prekomerna količina pokošene trave. Dvignite višino rezanja in tako zmanjšajte količino pokošene trave. Ne kosite več kot 1/3 skupne višine trave. B. Preverite ostrino rezil. Poskrbite, da bodo rezila vedno ostra. C. Zmanjšajte hitrost, če je trava visoka ali izjemno gosta.
10. Po več uporabah, se čas delovanja skrajša.	A. Kosilnico dostavite k pooblaščenemu serviserju - morda bo potrebno zamenjati akumulator.
11. Opozorilni indikator utripa.	A. Izklopite stroj in odstranite baterijski sklop, nato ponovno namestite baterijski sklop in vklopite stroj. B. Obrnite se na serviserja.

TEHNIČNI PODATKI

Vrsta: **KC720 KC720.X (720 - oznaka stroja, predstavnik SP kosilnice z ojačano jekleno ploščo)**

	KC720 KC720.X **
Napetost	60V  Max***
Material krova	ojačano jeklo -1.8 mm
Širina reza	47 cm
Najv. hitrost brez obremenitve	6.4 km/h
Višina košnje	20-80 mm
Položaji višine reza	7
Kapaciteta za zbiranje trave	70 L
Stopnja zaščite	IPX4
Čas delovanja	70min@11Ah****
Teža stroja (samo orodje)	38 kg

** X = 1-999, A-Z, M1-M9 so samo za različne kupce, med temi modeli ni nobenih varnostnih sprememb.

*** Napetost je bila izmerjena brez obremenitve. Začetna napetost akumulatorja doseže maksimum 60 V.

Običajna napetost je 54 V.

**** Čas delovanja se lahko razlikuje glede na način uporabe orodja in pogoje trave. Izbrana raven hitrosti rezanja vpliva na čas delovanja baterije. Nižja kot je stopnja hitrosti rezanja, daljši je čas delovanja.

PRIPOROČENE BATERIJE IN POLNILNIKI

Baterijo	Zmogljivost	Polnilnik	Amperage
KAC804	4 Ah	KAC840	30 A


Prporočamo, da dodatno opremo kupite pri istem prodajalcu, ki vam je prodal orodje. Za dodatne podrobnosti glejte embalažo dodatne opreme. Vaš prodajalec vam lahko pomaga in svetuje.

TEHNIČNI PODATKI ZA BATERIJO (NEOBVEZNO)

Frekvenčni pasovi za Bluetooth	2400-2483.5 MHz
Največja oddana moč za Bluetooth	8 dBm

PODATKI O HRUPU

Vrednotena raven zvočnega tlaka	$L_{pA} = 83.2 \text{ dB(A)}$
K_{pA}	3 dB(A)
Vrednotena raven zvočne moči	$L_{wA} = 95.84 \text{ dB(A)}$
K_{wA}	0.65 dB(A)

Uporabljajte zaščito za ušesa. 

PODATKI O VIBRACIJAH

Tipična vrednotena raven vibracij	$a_h < 2.5 \text{ m/s}^2$
Nezanesljivost meritve	$K = 1.5 \text{ m/s}^2$

! **OPOZORILO:** Dejanska vrednost emisije vibracij med uporabo strojčka, se lahko razlikuje od navedene, kajti nanjo vpliva tudi način uporabe strojčka, predvsem naslednje okoliščine: Način uporabe strojčka in materiali v katere vrtnate ali vijačite.

Ali je strojček v dobrem stanju in ustrezno vzdrževan. Uporaba ustreznega dodatka in njegova brezhibnost. Čvrstost oprijema ročajev in morebitna uporaba dodatkov za zmanjševanje vibracij. Uporaba orodja za predviden namen, skladen s temi navodili.



Če strojčka ne uporabljate pravilno, lahko povzroči vibracijski sindrom zapestja in rok.

! **OPOZORILO:** Če želimo resnično natančno oceniti raven izpostavljenosti v dejanskih okoliščinah, moramo upoštevati tudi vse faze delovnega procesa, tudi število vklopov in izklopov strojčka ter čas, ko deluje v prostem teku in neobremenjeno. To lahko znatno zmanjša raven izpostavljenosti tekom celotnega delovnega procesa. Pomoč pri zmanjševanju tveganja pri izpostavljenosti vibracijam.

VEDNO uporabljajte le ostra dleta, svedre in rezila. Strojček vzdržujte skladno s temi navodili in poskrbite, da bo dobro namazan (kjer je potrebno). Če boste strojček uporabljali redno, potem

investirajte v dodatke za zmanjševanje vibracij. Delo si organizirajte tako, da boste opravila z visoko ravno vibracij izvajali v več fazah, tekom nekaj dni.

VAROVANJE OKOLJA

 Odpadnih električnih naprav ne smete zavreči skupaj z ostalimi gospodinjstskimi odpadki.  Dostavite jih na mesto za ločeno zbiranje odpadkov. Glede podrobnosti, se posvetujte z lokalno službo za ravnanje z odpadki.

IZJAVA O SKLADNOSTI

Mi,
Positec Germany GmbH
Postfach 680194, 50704 Cologne, Germany

V imenu družbe Positec izjavljamo, da je izdelek Opis **Baterijska vrtna kosilnica** Vrsta **KC720 KC720.X (720 - oznaka stroja, predstavnik SP kosilnice z ojačano jekleno ploščo)** Funkcija **košnja trave**

skladen z naslednjimi direktivami,
2006/42/EC, 2014/30/EU, 2011/65/EU & (EU) 2015/863, 2000/14/EC spremenjena z 2005/88/EC

2000/14/EC spremenjena z 2005/88/EC:
- Postopek za ugotavljanje skladnosti, glede na **Dodatek VI**
- Izmerjena raven zvočne moči **95.84 dB (A)**
- Deklarirana raven zvočne moči **96 dB (A)**

Pristojni priglasitveni organ
Ime: TÜV Rheinland LGA Products GmbH
(pristojni priglasitveni organ 0197)
Naslov: Tillystraße 2-90431 Nürnberg

in izpolnjuje naslednje standarde,
EN 62841-1, EN IEC 62841-4-3, EN ISO 3744, EN IEC 55014-1, EN IEC 55014-2, EN IEC 63000

Oseba, ki je pooblaščenca za skladnost tehnične dokumentacije,

Ime: **Marcel Filz**
Naslov: **Positec Germany GmbH**
Postfach 680194, 50704 Cologne, Germany



2024/02/05
Allen Ding
Namestnik glavnega inženirja za testiranje in certificiranje
Positec Technology (China) Co., Ltd
18, Dongwang Road, Suzhou Industrial Park, Jiangsu 215123, P. R. China

SADRŽAJ

Uvod.....	246
Popis komponenti.....	248
Sigurnost proizvoda.....	249
Skupina i operacija.....	252
Transport.....	257
Održavanje.....	257
Čišćenje.....	258
Skladištenje.....	259
Otklanjanje poteškoća.....	260
Tehnički podaci.....	261
<hr/> HR Zaštita okoliša.....	262
Izjava o sukladnosti.....	263

UVOD

Poštovani,

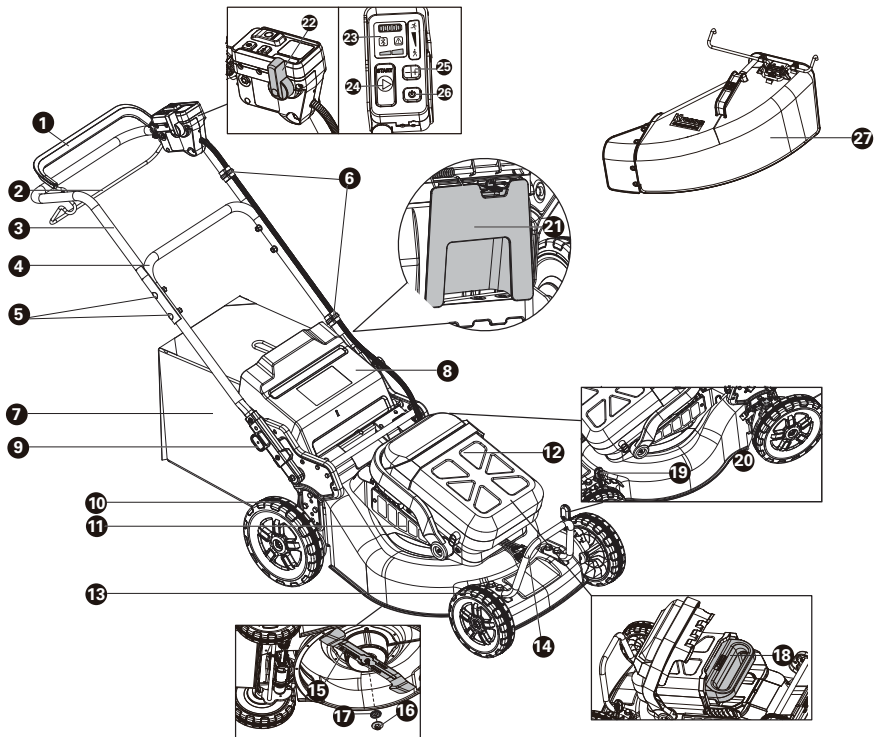
Zahvaljujemo što ste kupili ovaj Kress Commercial proizvod. Posvećeni smo razvoju proizvoda visoke kvalitete kako bismo zadovoljili vaše zahtjeve za komercijalnim uređenjem okoliša.

Brend Kress je sinonim za vrhunsku kvalitetu usluge. Tijekom godina životnog vijeka vašeg proizvoda, ako imate bilo kakvih pitanja ili nedoumica o svom proizvodu, obratite se svom prodavaču ili našem timu za korisničku podršku za pomoć.

Uvjereni smo da ćete godinama uživati u radu sa svojim Kress proizvodom.

NAMJENSKA UPORABA

Ovaj je proizvod namijenjen komercijalnoj košnji trave.



POPIS KOMPONENTI

1. RADNI MEHANIZAM (AKTIVACIJA OŠTRICE)
2. SAMOHODNI MEHANIZAM
3. GORNJA RUČKA
4. DONJA RUČKA
5. PRIČVRŠČIVAČI RUČKE
6. OBUJMICA ZA KABEL
7. KOŠARA SA SAKUPLJANJE TRAVE
8. SIGURNOSNI ZAKLOPAC
9. GUMB ZA PODEŠAVANJE VISINE
10. STRAŽNJI KOTAČ
11. FILTER ZRAKA
12. POKLOPAC PRETINCA ZA BATERIJU
13. PREDNJI KOTAČ
14. ŠTITNIK MOTORA
15. OŠTRICA
16. VIJAK OŠTRICE
17. DRŽAČ RAZMAKA
18. BATERIJSKI MODUL*
19. PREDNJA RUČICA ZA PODEŠAVANJE VISINE REZANJA
20. STRAŽNJA RUČICA ZA PODEŠAVANJE VISINE REZANJA
21. ČEP ZA MALČIRANJE
22. KONTROLA BRZINE SAMOHODA
23. LED INDIKATORI
24. GUMB ZA POKRETANJE REZNE OŠTRICE
25. KONTROLA BRZINE REZANJA
26. PREKIDAČ UKLJUČENO/ISKLJUČENO
27. ŽLIJEB ZA BOČNO PRAŽNENJE*

* Standardna isporuka ne obuhvaća sav ilustriran ili opisan pribor.

ORIGINALNE UPUTE ZA RAD SIGURNOST PROIZVODA UOBIČAJENA SIGURNOSNA UPOZORENJA ZA ELEKTRIČNE ALATE



UPOZORENJE Pročitajte sva sigurnosna upozorenja, upute, ilustracije i specifikacije koje se isporučuju s ovim električnim alatom.

Nepoštivanje dolje navedenih uputa može uzrokovati električni udar, požar i/ili ozbiljne ozljede.

Sačuvajte sve napomene o sigurnosti i upute za buduću primjenu.

Pojam „električni alat“ u upozorenjima odnosi se na električne alata s priključkom na električnu mrežu (s mrežnim kablom) i električne alate s napajanjem na akumulatorsku bateriju (bez mrežnog kabela).

1) Sigurnost na radnom mjestu

- a) **Održavajte radno mjesto čistim i dobro osvijetljenim.** Nered ili neosvijetljeno radno mjesto mogu uzrokovati nezgode.
- b) **Ne radite s električnim alatom u eksplozivnim atmosferama, primjerice onima u kojima ima zapaljivih tekućina, plinova ili prašine.** Električni alati proizvode iskre koje mogu zapaliti prašinu ili pare.
- c) **Tijekom upotrebe električnog alata djecu i druge osobe držite podalje od mjesta rada.** Svako odvratanje pozornosti može uzrokovati gubitak kontrole nad uređajem.

2) Električna sigurnost

- a) **Priključni utikač električnog alata mora odgovarati utičnici.** Sve su preinake utikača zabranjene. Nemojte upotrebljavati adapterske utikače zajedno sa zaštitno uzemljenim električnim alatom. Utikač na kojem nisu vršene preinake i odgovarajuća utičnica smanjuju opasnost od strujnog udara.
 - b) **Izbjegavajte dodir tijela s uzemljenim površinama kao što su cijevi, radijatori, štednjaci i hladnjaci.** Opasnost od električnog udara je veća ako je vaše tijelo uzemljeno.
 - c) **Ne koristite stroj po kiši ili vlažnim uvjetima.** To može povećati rizik od električnog udara.
 - d) **Ne zlorabljajte priključni kabel.** Nikada nemojte upotrebljavati priključni kabel za nošenje, vješanje električnog alata ili za izvlačenje utikača iz mrežne utičnice. Priključni kabel držite dalje od izvora topline, ulja, oštih rubova ili pomičnih dijelova uređaja. Oštećen ili zapleten priključni kabel povećava opasnost od strujnog udara.
 - e) **Ako s električnim alatom radite na otvorenom, upotrebljavajte isključivo produžni kabel prikladan za upotrebu na otvorenom.** Upotreba
- f) **produžnog kabela prikladnog za rad na otvorenom smanjuje opasnost od strujnog udara.**
 - f) **Ako ne možete izbjeći upotrebu električnog alata u vlažnoj okolini, upotrijebite diferencijalnu strujnu zaštitnu sklopku.** Primjenom diferencijalne strujne zaštitne sklopke izbjegava se opasnost od strujnog udara.
 - 3) **Sigurnost ljudi**
 - a) **Budite pažljivi, pazite što činite i postupajte oprezno dok radite s električnim alatom. Nemojte upotrebljavati alat ako ste umorni ili pod utjecajem droga, alkohola ili lijekova.** Trenutak nepažnje kod upotrebe električnog alata može uzrokovati ozbiljne ozljede.
 - b) **Nosite osobnu zaštitnu opremu. Uvijek nosite zaštitne naočale.** Nošenje osobne zaštitne opreme, kao što je maska za prašinu, zaštitna obočica s protukliznim potplatom, zaštitna kaciga ili štitičnik za sluh, ovisno od vrste i primjene električnog alata, smanjuje opasnost od ozljeda.
 - c) **Spriječite svako nehotično uključivanje uređaja. Prije nego što ćete utaknuti utikač u utičnicu i/ili staviti komplet baterija, provjerite je li električni alat isključen.** Ako kod nošenja električnog alata imate prst na prekidaču ili se uključuje uređaj priključni na električno napajanje, to može dovesti do nezgoda.
 - d) **Prije uključivanja električnog alata uklonite alate za podešavanje ili ključ.** Alat ili ključ koji se nalazi u rotirajućem dijelu uređaja može dovesti do nezgoda.
 - e) **Izbjegavajte neobičajene položaje tijela.** Zauzmite siguran i stabilan položaj tijela i u svakom trenutku održavajte ravnotežu. Na taj način možete električni alat bolje kontrolirati u neočekivanim situacijama.
 - f) **Nosite prikladan odjeću. Ne nosite široku odjeću ni nakit.** Kosu i odjeću držite dalje od pomičnih dijelova. Široku odjeću, dugu kosu ili nakit mogu zahvatiti pomični dijelovi.
 - g) **Ako uređaji imaju priključak za usisavače za prašinu, provjerite jesu li isti priključeni i mogu li se ispravno upotrebljavati.** Upotreba sustava za usisavanje može smanjiti mogućnost nastanka opasnih situacija koje uzrokuje prašina.
 - h) **Nemojte postati previše bezbrižni i zanemariti sigurnosne upute zato što alat često upotrebljavate i smatrate da ste ga dobro poznali.** Samo jedan trenutak nepažnje dovoljan je za nastanak ozbiljnih ozljeda.
 - 4) **Upotreba i održavanje električnog alata**
 - a) **Ne preopterećujte uređaj. Za svaki posao upotrebljavajte prikladan i za to predviđen električni alat. S odgovarajućim električnim alatom posao ćete obaviti lakše, brže i sigurnije.**
 - b) **Nemojte upotrebljavati električni alat čiji je prekidač neispravan.** Električni alat koji se više ne može uključivati i isključivati opasan je i mora se popraviti.
 - c) **Alat prije podešavanja, izmjene pribora i odlaganja isključite iz izvora napajanja i/ili izvadite komplet baterije, ako se vadi iz**

uređaja. Ovim mjerama opreza izbjeći će se nehotično uključivanje električnog alata.

- d) **Električni alat koji ne upotrebljavate spremite izvan dosega djece. Rukovanje alatom zabranjeno je osobama koje nisu s njim upoznate ili koje nisu pročitale ove upute.** Električni alati su opasni ako s njima rade neiskusne osobe.
- e) **Redovno održavajte električne alate i pribor. Kontrolirajte rade li besprijekorno pomoćni dijelovi uređaja, jesu li zaglavljani, polomljeni ili oštećeni tako da to ugrožava daljnju upotrebu i rad električnog alata.** Prid upotrebe oštećene dijelove treba popraviti. Loše održavani električni alati uzrok su mnogih nezgoda.
- f) **Rezne alate održavajte oštrim i čistim.** Pažljivo održavani rezni alati s oštrim oštricama manje će se zaglavljivati i lakše se s njima radi.
- g) **Električni alat, pribor, radne alate, itd. upotrebljavajte prema ovim uputama i na način kako je to propisano za određenu vrstu uređaja.** Pritom uzmite u obzir radne uvjete i radove koje treba izvršiti. Upotreba električnog alata za poslove izvan njegove predviđene upotrebe može dovesti do opasnih situacija.
- h) **Ručke i zahvatne površine održavajte suhima, čistima i pazite da na njih ne dospiju ulje ili mast.** Skijske ručke i zahvatne površine onemogućuju sigurno rukovanje i alat se teško kontrolira u neočekivanim situacijama.

5) Upotreba i održavanje akumulatorskih alata

- a) **Akumulatorsku bateriju puniti isključivo punjačima koje preporučuje proizvođač.** Ako punjač predviđen za jednu određenu vrstu kompleta baterija rabite s drugim kompletom baterija, postoji opasnost od požara.
- b) **Električne alate upotrebljavajte isključivo s posebnim, namjenskim kompletima baterija.** Upotreba drugih kompleta baterija može dovesti do ozljeda i opasnosti od požara.
- c) **Komplete baterija dok ih ne upotrebljavate držite dalje od uredskih spajalica, kovanica, ključeva, čavala, vijaka ili drugih sitnih metalnih predmeta koji bi mogli uzrokovati premošćenje kontakata.** Kratki spoj između kontakata baterije može uzrokovati opekline ili požar.
- d) **Kod pogrešne primjene iz baterije može isticati tekućina. Izbjegavajte kontakt s ovom tekućinom. Kod slučajnog kontakta zahvaćeno mjesto treba isprati vodom. Ako vam tekućina uđe u oči, zatražite pomoć liječnika.** Tekućina istekla iz baterije može uzrokovati nadražnost kože i opekline.
- e) **Ne upotrebljavajte oštećene ili izmijenjene komplete baterija ni alate.** Oštećene ili izmijenjene baterije podložne su nepredvidivom ponašanju i mogu uzrokovati požar, eksploziju ili ozljede.
- f) **Držite alat i komplet baterija dalje od vatre i visokih temperatura.** Izlaganje vatri ili temperaturi višoj od 130°C može uzrokovati eksploziju.
- g) **Poštujte sve upute za punjenje i komplet baterija i alat ne puniti pri temperaturama**

izvan vrijednosti koje su propisane i navedene u uputama. Nepravilno punjenje ili punjenje pri temperaturama višim od propisanih može oštetiti bateriju i povećati opasnost od požara.

- g) **Servisiranje**
 - a) **Popravak električnog alata prepustite kvalificiranom osoblju ovlaštenog servisa i isključivo s originalnim rezervnim dijelovima.** Tako će biti zajamčen siguran rad s uređajem.
 - b) **Nikada ne servisirajte oštećene komplete baterija.** Servisiranje kompleta baterija smiju obavljati isključivo proizvođači i ovlašteni serviseri.

SIGURNOSNA UPOZORENJA ZA KOSILICU

- a) **Nemojte koristiti kosilicu u lošim vremenskim uvjetima, naročito kad postoji opasnost od udara groma.** Ovo smanjuje opasnost od udara groma.
- b) **Temeljito provjerite područje kako biste bili sigurni da nema divljih životinja na području gdje će se kosilica upotrebljavati.** Divlje životinje mogu biti ozlijeđene tijekom rada kosilice.
- c) **Temeljito provjerite područje gdje će se kosilica upotrebljavati i uklonite svo kamenje, granje, žice, kosti i ostale strane predmete.** Izbačeni predmeti mogu izazvati povrede.
- c) **Prije uporabe kosilice uvijek vizualno provjerite jesu li nož i sklop noža istrošeni ili oštećeni.** Istrošeni ili oštećeni dijelovi povećavaju rizik od ozljede.
- e) **Često provjeravajte istrošenost ili oštećenje uređaja za prikupljanje trave.** Istrošeni ili oštećeni uređaj za sakupljanje trave može povećati rizik od ozljeda.
- f) **Držite štitnike na mjestu. Štitnici moraju biti u ispravnom stanju i pravilno montirani.** Štitnik koji je labav, oštećen ili ne radi ispravno može uzrokovati ozljede.
- g) **Držite sve otvore za rashladni zrak čistima i bez nakupina.** Blokirani otvori za zrak i nakupine mogu dovesti do pregrijavanja ili opasnosti od požara.
- h) **Tijekom rada s kosilicom uvijek nosite protukliznu i zaštitnu obuću. Ne rukujte kosilicom dok ste bosih nogu ili dok nosite otvorene sandale.** To smanjuje mogućnost ozljede stopala od kontakta s pokretnim nožem.
- i) **Kada koristite kosilicu uvijek nosite duge hlače.** Gola koža povećava mogućnost ozljede od odbačenih predmeta.
- j) **Ne koristite kosilicu na mokroj travi. Hodajte, nikada ne trčite.** Time ćete smanjiti rizik od klizanja i pada što može dovesti do povreda.
- k) **Ne koristite kosilicu na pretjerano strmim površinama.** Time ćete smanjiti rizik od gubitka kontrole nad strojem, klizanja i pada što može dovesti do povreda.
- l) **Kada radite na nagibu, uvijek budite sigurni u svoj oslonac, uvijek radite poprečno na kosinama, nikada prema gore ili prema dolje i**

budite iznimno oprezni kada mijenjate smjer.

Time ćete smanjiti rizik od gubitka kontrole nad strojem, klizanja i pada što može dovesti do povreda.

- m) **Budite iznimno oprezni kada vozite unatrag ili povlačite kosilicu prema sebi. Uvijek budite svjesni svojeg okruženja.** Time se smanjuje rizik od spoticanja tijekom rada.
- n) **Ne dirajte noževe i druge opasne pokretne dijelove dok su još u pokretu.** Time se smanjuje mogućnost od ozljede pokretnim dijelovima.
- o) **Prilikom uklanjanja zaglavljeno materijala ili čišćenja kosilice, provjerite jesu li svi prekidači isključeni i je li baterija odspojena.** Neočekivani rad kosilice može dovesti do ozbiljnih ozljeda.

SIGURNOSNA UPOZORENJA ZA BATERIJE

- a) **Bateriju nemojte rastavljati, otvarati ni trgati njezine ćelije.**
- b) **Bateriju nemojte kratko spajati. Nemojte nemarno ostavljati baterije u kutijama i ladicama gdje može doći do njihovog kratkog spoja prilikom kontakta s vodljivim materijalima.** Kad baterija nije u upotrebi držite je podalje od drugih metalnih predmeta kao što su spajalice papira, novčići, ključevi, čavli, vijci i drugi maleni metalni predmeti koji mogu uzrokovati međusobno spajanje kontakata baterije. Kratko međusobno spajanje kontakata baterije može uzrokovati opekline i požar.
- c) **Bateriju nemojte izlagati vrućini i vatri. Izbjegavajte pohranu na izravnom sunčevom svjetlu.**
- d) **Bateriju ne izlažite udarcima.**
- e) **Ako dođe do curenja baterije, pazite da tekućina ne dospije na kožu ili u oči. Ako dođe do kontakta, isperite to mjesto velikom količinom vode i potražite liječničku pomoć.**
- f) **Bateriju održavajte čistom i suhom.**
- g) **Ako se zaprljaju, kontakte baterije izbrišite čistom i suhom krpom.**
- h) **Bateriju treba napuniti prije upotrebe. Uvijek primijenite upute iz ovog priručnika i odgovarajući postupak punjenja.**
- i) **Bateriju ne ostavljajte na punjaču dok nije u upotrebi.**
- j) **Nakon duljih razdoblja neupotrebe možda će biti potrebno nekoliko puta napuniti i isprazniti bateriju kako bi se postigla optimalna učinkovitost.**
- k) **Punite samo punjačem koji preporučuje Kress. Nemojte koristiti nikakav punjač osim onog koji je izričito predviđen za uporabu s opremom.**
- l) **Koristite samo baterije koje su namijenjene za upotrebu uz određeni uređaj.**
- m) **Baterije držite izvan dohvata djece.**
- n) **Izvorni priručnik isporučen uz uređaj**

sačuvajte za slučaj potrebe.



- o) **Izvadite bateriju iz uređaja dok nije u upotrebi.**
- p) **Odlazite sukladno propisima.**
- q) **Nemojte miješati ćelije različitih proizvođača, kapaciteta, veličine ili tipa unutar istog uređaja.**
- r) **Držite bateriju podalje od mikrovalnih pećnica i visokog tlaka.**
- s) **Upozorenje! Ne koristite nepunjive baterije.**












ZAHTEVI KORISNIČKOG PRIRUČNIKA ZA AKUMULATORSKI PROIZVOD

- a) Rad ovog uređaja podložan je sljedeća dva uvjeta:
 - (1) Ovaj uređaj ne smije uzrokovati štetne smetnje, i
 - (2) ovaj uređaj mora prihvatiti svaku primljenu smetnju, uključujući smetnju koja može uzrokovati neželjeni rad.
- b) **Oprez: Promjene ili preinake na ovoj jedinici koje nije izričito odobrila strana odgovorna za sukladnost mogle bi poništiti korisničko ovlaštenje za rukovanje opremom.**
- c) **NAPOMENA: Ova oprema generira, upotrebljava i može zračiti radiofrekventnu energiju i, ako se ne instalira i koristi u skladu s uputama, može uzrokovati štetne smetnje radijskim komunikacijama.** Međutim, nema jamstva da se smetnje neće pojaviti u određenoj instalaciji. Ako ova oprema uzrokuje štetne smetnje radijskom ili televizijskom prijemu, što se može odrediti uključivanjem i isključivanjem opreme, korisnika se potiče da pokuša ispraviti smetnje s pomoću jedne ili više sljedećih mjera:
 - Preusmjerite ili premjestite prijemnu antenu.
 - Povećajte udaljenost između opreme i prijemnika.
 - Spojite opremu u utičnicu na strujnom krugu različitom od onog na koji je spojen prijemnik.
 - Obratite se trgovcu ili iskusnom radio/TV tehničaru za pomoć.

HR

SIMBOLI


	Kako bi se smanjio rizik od povreda, korisnik mora pročitati upute za uporabu
	Upozorenje


	UPOZORENJE – čuvajte se bačenih predmeta – promatrače držite podalje
	UPOZORENJE – držite ruke i noge podalje od noževa
	UPOZORENJE – odvojite bateriju prije održavanja
 STOP	Nož se nastavlja okretati i nakon što se stroj isključi. Pričekajte da se svi dijelovi stroja potpuno zaustave prije nego što ih dodirnete
	Nosite zaštitne rukavice
	Prije izvođenja bilo kakvog podešavanja, servisiranja ili održavanja izvadite bateriju iz utora
	Baterije mogu ući u vodeni sustav ako se nepravilno odlože u otpad, što može biti opasno za ekosustav. Nemojte odlagati prazne baterije u nerazvrstani kućanski otpad.
	Nemojte spaljivati
	Visoka brzina
	Niska brzina
 Li-Ion 	Litij-ionska baterija. Ovaj proizvod je označen simbolom koji označava „odvojeno prikupljanje“ za sve akumulatore i baterije. Zatim će se reciklirati ili rastaviti da se smanji utjecaj na okoliš. Baterije mogu biti opasne za okoliš i za ljudsko zdravlje jer sadrže opasne tvari.



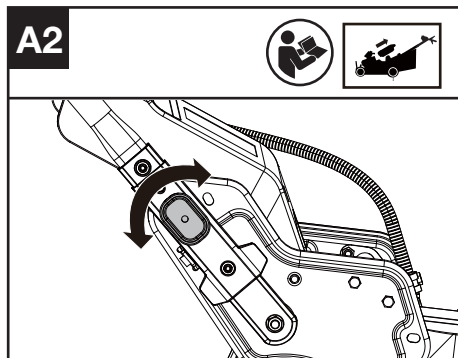
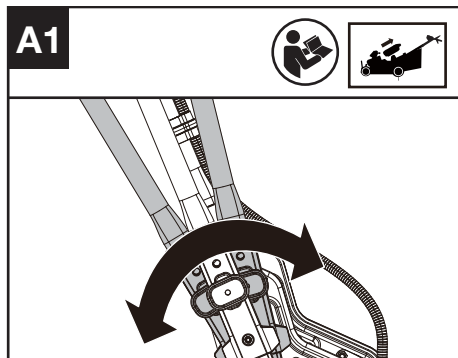
Rabljena električni proizvodi ne smiju se odlagati s kućanskim otpadom. Predajte ih na odgovarajućim reciklažnim mjestima. Savjete za reciklažu zatražite od lokalnih nadležnih tijela ili dobavljača.

SKUPINA I OPERACIJA

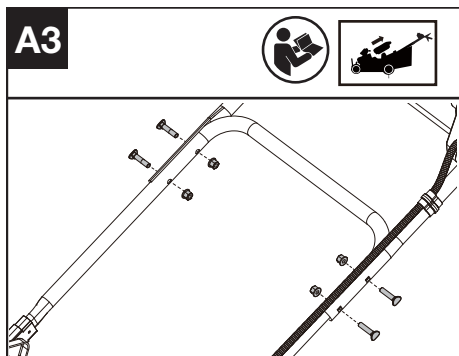
 **NAPOMENA:** Prije uporabe alata, pažljivo pročitajte upute.

 **PRIJE RADA:**
Podešavanje visine ručke i sastavljanje donjih ručki. (Vidi sl. A1, A2)

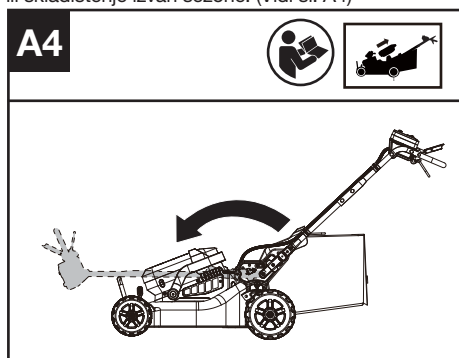
Moguće je odabrati 3 razine visine. Odaberite odgovarajuću visinu i okrenite gumb za podešavanje visine.



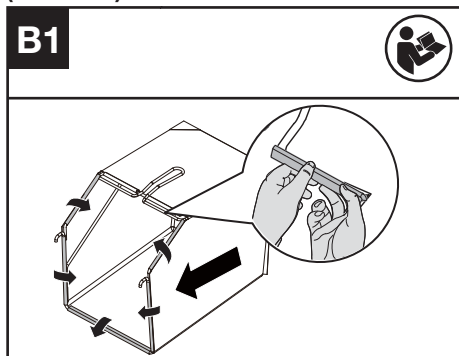
Sastavljanje gornje ručke. (Vidi sl. A3)



NAPOMENA: Ručke se mogu preklopiti za transport ili skladištenje izvan sezone. (Vidi sl. A4)



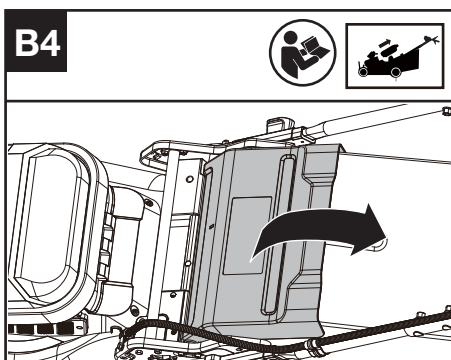
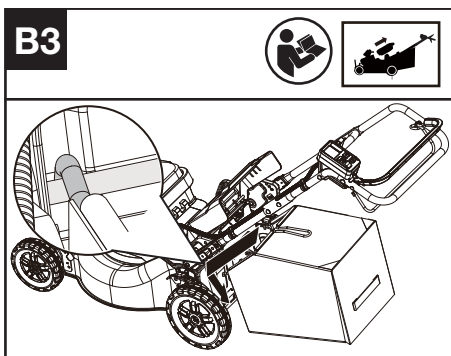
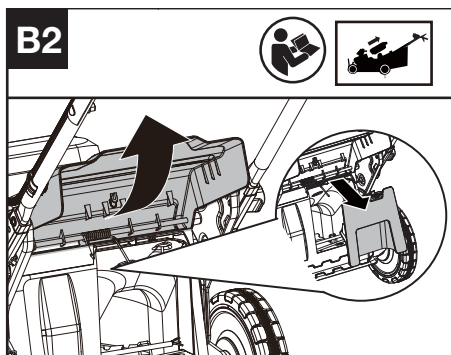
Sastavljanje košare za sakupljanje trave (Vidi. sl.B1)



Sastavljanje košare za sakupljanje trave na kosilicu (Vidi sl. B2,B3,B4)

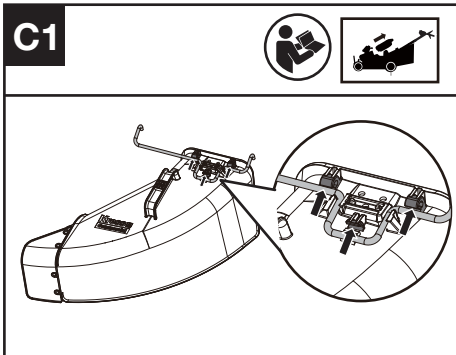
NAPOMENA: Lagano pritisnite košaru za sakupljanje trave kako biste se uvjerali da je u potpunosti ugrađena.

NAPOMENA: Izvadite čep za malčiranje iz kosilice prije postavljanja košare za sakupljanje trave.



Sastavljanje žlijeba za bočno pražnjenje na kosilicu (Vidi sl. C1,C2)

NAPOMENA: Prije sastavljanja žlijeba za bočno pražnjenje iz kosilice izvadite poklopac za malčiranje i uklonite vreću za skupljanje trave.



rezanje, ili kontrolu brzine rezanja. Ako se prekidač za uključivanje/isključivanje, gumb za pokretanje oštrice za rezanje, ili kontrola brzine rezanja zaglave i ne mogu se vratiti u svoj izvorni položaj, prestanite upotrebljavati kosilicu i obratite se serviseru.

3. Pokušajte potegnuti i otpustiti radni mehanizam ili samohodni mehanizam za uključivanje. Ako se radni mehanizam ili samohodni mehanizam za uključivanje zaglave i ne mogu se vratiti u početni položaj, prestanite upotrebljavati kosilicu i obratite se serviseru.
4. Rotirajte kontrolu brzine samohoda. Ako se kontrola brzine samohoda zaglavi, prestanite upotrebljavati kosilicu i obratite se serviseru.

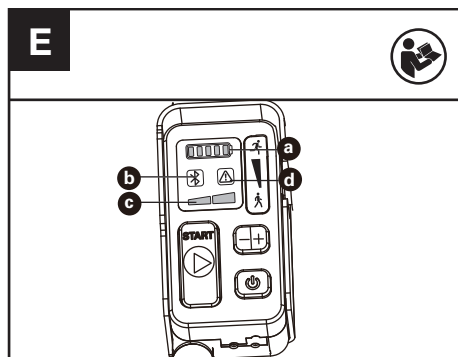
Provjera zaslona (Vidi sl. E)

1. Montirajte bateriju.
2. Nastavite pritiskati prekidač za uključivanje/isključivanje i indikator baterije (a) i indikator brzine rezanja (c) će svijetliti.
3. Pritisnite gumb za pokretanje rezne oštrice i povucite radni mehanizam kako biste pokrenuli stroj.
4. Ako indikator upozorenja (d) treperi, rješenja potražite u **Otklanjanju poteškoća**.
5. Otpustite radni mehanizam. Oštrica se prestaje okretati nakon kratkog zastoja. Ako se kosilica ne može zaustaviti, izvadite bateriju i obratite se serviseru.

LED indikatori

- | | |
|----|--------------------------|
| a. | INDIKATOR BATERIJE |
| b. | BLUETOOTH INDIKATOR |
| c. | INDIKATOR BRZINE REZANJA |
| d. | INDIKATOR UPOZORENJA |

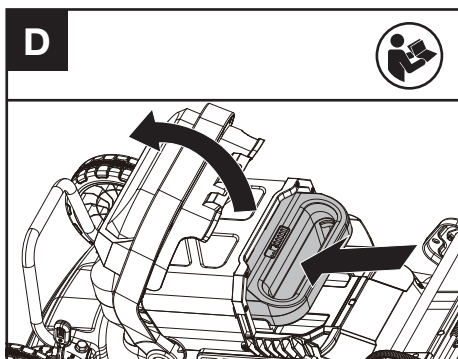
NAPOMENA: Kada stroj ne radi indikator upozorenja će treperiti crveno ili žuto. Ako treperi crveno svjetlo, potražite pomoć od prodavača. Ako treperi žuto svjetlo, isključite stroj, izvadite bateriju, zatim ponovno postavite bateriju i uključite stroj. Ako žuto svjetlo nastavi treperiti, potražite pomoć od prodavača.



Provjera stanja napunjenosti baterije i punjenje baterijskog modula.

NAPOMENA: Baterije se isporučuju nenapunjene. Baterija mora biti u potpunosti napunjena prije prve košnje. Više detalja možete pronaći u priručniku baterije i punjača.

Montaža / vađenje baterije (Vidi sl. D)



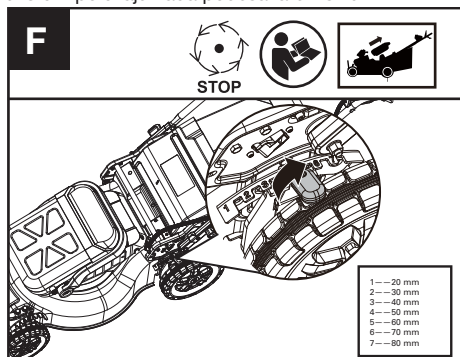
Provjera kontrola

1. Izvadite bateriju.
2. Pokušajte pritisnuti prekidač za uključivanje/isključivanje, gumb za pokretanje oštrice za

Podešavanje visine rezanja (Vidi sl. F)

Podesite visinu rezanja pomoću ručki za podešavanje visine prednjeg i stražnjeg kotača.

NAPOMENA: Pazite da prednji i stražnji kotači budu u istom položaju kada podešavate visinu.



! **UPOZORENJE!** Zaustavite stroj, otpustite radni osigurač i pričekajte da se motor zaustavi prije podešavanja visine. Noževi se nastavljaju okretati nakon što se stroj isključi, rotirajući nož može uzrokovati ozljede. Ne dirajte rotirajuće oštrice.

RAD

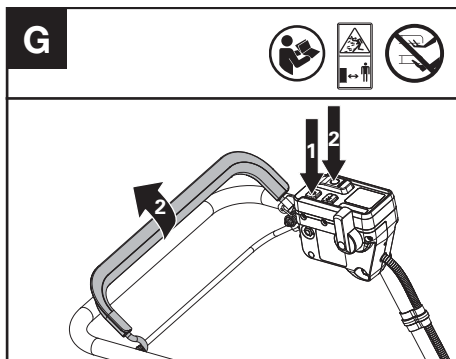
Pokretanje i zaustavljanje kosilice (Vidi sl. G)

1. Pritisnite prekidač za uključivanje/isključivanje
2. Pritisnite gumb za pokretanje noža za rezanje (držite pritisnuto) i povucite radni dio za pokretanje stroja.
3. Otpustite radni mehanizam za zaustavljanje.

! **UPOZORENJE!** Oštrica se nastavlja okretati nakon što se kosilica isključi; pričekajte dok se potpuno ne zaustavi.

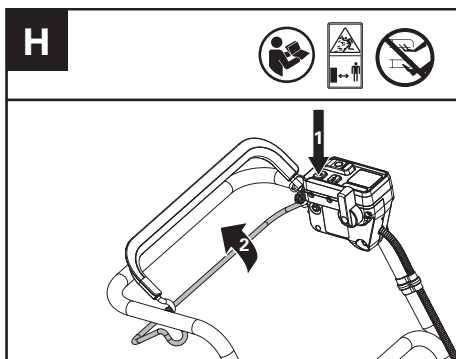
NAPOMENA: Za pokretanje, istovremeno pritisnite gumb za pokretanje rezne oštrice i povucite radni mehanizam.

NAPOMENA: Nastavite pritiskati prekidač za uključivanje/isključivanje i zaslon će zasvijetliti. Zaslon će se automatski isključiti ako unutar 60 sekundi nema nikakve radnje.

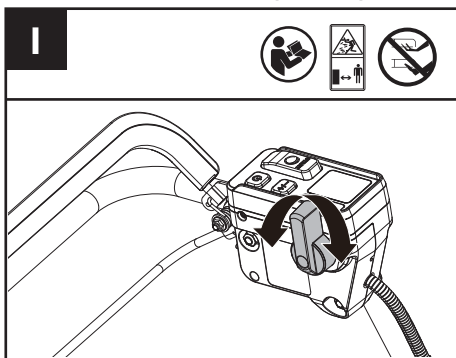


Rukovanje samohodnim sustavom (Vidi sl. H)

1. Pritisnite prekidač za uključivanje/isključivanje
2. Povucite samohodni mehanizam kako biste pokrenuli samohodni sustav.
3. Otpustite samohodni mehanizam za zaustavljanje.



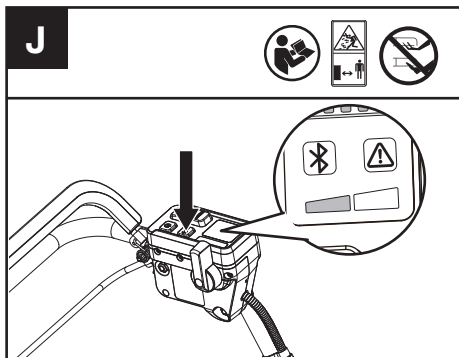
Odabir brzine samohoda (Vidi sl. I)



Odabir brzine rezanja (Vidi sl. J)

Mogu se odabrati 2 razine brzine rezanja, ovisno o primjeni. Upotrijebite +/- za kontrolu brzine, što

je naznačeno LED indikatorima. Što je veća brzina rezanja, alat brže radi.



SAVJETI ZA MALČIRANJE I KOŠNJU

Tijekom malčiranja, vaša je nova kosilica dizajnirana za rezanje pokošene trave u male komade i njihovu raspodjelu natrag na travnjak. U normalnim uvjetima, malčirana trava će se brzo biorazgraditi i isporučiti hranjive tvari travnjaku. Pregledajte sljedeće preporuke za optimalnu izvedbu malčiranja.

- 1) Izbjegavajte košnju kad je trava mokra od kiše ili rose. Mokra trava može formirati nakupine koje smetaju malčiranju i smanjuju vrijeme rada.
- 2) Za najbolji učinak malčiranja, postavite visinu rezanja za uklanjanje otprilike trećine duljine vlasi trave, idealno ne više od 40 mm / 1,5" odjednom. Ako je travnjak zarastao, možda će biti potrebno povećati visinu rezanja kako bi se smanjio napor guranja i spriječilo preopterećenje motora. Za izuzetno teško malčiranje, savjetujemo da prvo režete pri visokoj postavci visine rezanja, a zatim na konačnu visinu rezanja. Inače, radite uže rezove i kosite polako.
- 3) Za najbolji učinak, kućište kosilice držite bez nakupljene trave. S vremena na vrijeme isključite kosilicu i pričekajte da se oštrice u potpunosti zaustave. Izvadite baterije i okrenite kosilicu na bok. Pomoću predmeta kao što je štap, odstranite svu nakupljenu travu oko područja oštrice. Pazite na oštre rubove oštrice. Pobrinite se da često čistite područje oštrice kad kosite mokru ili novu travu, kao i svaki put nakon uporabe stroja.
- 4) Određene vrste trave ili travnati uvjeti mogu zahtijevati da se područje malčira drugi put kako bi se trava u potpunosti raspršila diljem travnjaka. Ako kosite drugi put, savjetujemo da režete okomito (poprečno) na prvi uzorak rezanja. **NEMOJTE MIJENJATI OBRAZAC REZANJA NI NA KOJI NAČIN KOJI BI MOGAO UZROKOVATI KOŠNJU NIZ BRDO.**
- 5) Mijenjajte svoj obrazac košnje iz tjedna u tjedan. To će pomoći u sprječavanju matiranja i zrnatosti travnjaka.
- 6) Nemojte kositi na nagibu čiji je kut veći od 18°.

PODRUČJE REZANJA

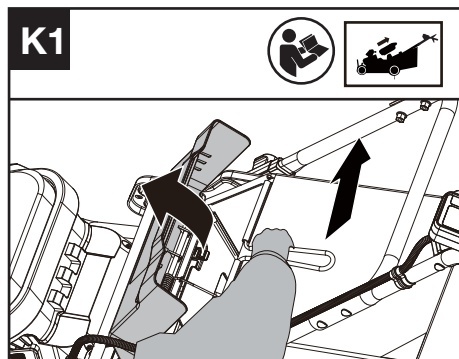
Na područje rezanja može utjecati nekoliko čimbenika, kao što su visina rezanja, vlažnost travnjaka, duljina i gustoća trave. Osim toga, pokretanje i zaustavljanje kosilice previše puta tijekom rada smanjit će područje rezanja.

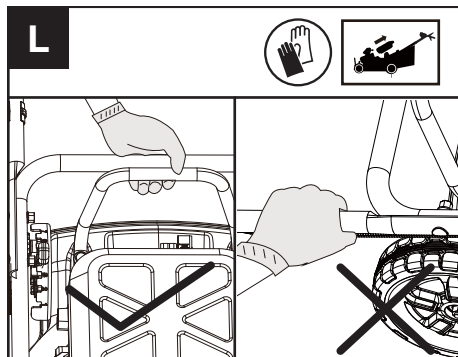
SAVJETI:

- 1) Preporučuje se češće kositi travnjak, hodati normalnim tempom, a ne pokretati/zaustavljati kosilicu prečesto tijekom rada.
- 2) Za najbolji učinak, osigurajte da baterijski modul bude u potpunosti napunjen i uvijek režite 1/3 visine trave ili manje. Preporučuje se ugradnja nove oštrice prije početka sezone košnje.
- 3) Kad kosite dugu travu hodajte polako, kako bi košnja bila učinkovitija i kako biste pravilno odbacili otkos.
- 4) Izbjegavajte rezanje mokre trave, u protivnom će zapeti ispod trupa i komadi pokošene trave neće se moći ispravno sakupiti ili isprazniti.
- 5) Na novu ili debelu travu primijenit će se veća visina rezanja i to će produljiti vijek trajanja baterije.

Uklanjanje/pražnjenje vreće za sakupljanje trave (Vidi sl. K1, K2)

! **UPOZORENJE!** Prije uporabe uvijek provjerite je li sigurnosna zaklopka zatvorila otvor za pražnjenje. Nikad nemojte podizati sigurnosnu zaklopku ili skidati čep za malčiranje kad se kosilica upotrebljava bez montirane vreće za sakupljanje trave.





ZA BATERIJSKE ALATE

Preporučeni raspon temperature okoline za pražnjenje je -20 °C~45 °C (-4 °F~113 °F).
Preporučeni raspon temperature okoline za sustav punjenja tijekom punjenja je -5 °C~45 °C (23 °F~113 °F).

Podaci o sigurnom odlaganju korištenih baterija:

Na kraju vijeka trajanja uređaja, sigurno uklonite baterijski paket prije odlaganja uređaja. Ne bacajte baterije ili ih ne bacajte u običnu kantu za smeće. Također, nemojte odbacivati bateriju zajedno s uređajem. Uklonite upotrijebljeni baterijski paket s uređaja i odložite ga u najbližu ili najprikladniju reciklažnu ustanovu. Ako niste sigurni, konzultirajte lokalni odjel za zaštitu okoliša. Baterije mogu ući u vodeni ciklus ako se nepravilno odlože, što može biti opasno za ekosustav. Nemojte odbacivati ispumpane baterije kao nesortirani komunalni otpad.

TRANSPORT

Transportiranje kosilice

1. Isključite kosilicu i izvadite bateriju.
2. Kad transportirate kosilicu, može se koristiti samopogon bez uključivanja rezne oštrice.
3. Za podizanje kosilice, preporučuje se da je podignu dvije osobe sa svake strane, koristeći štitnik motora i spojna područja donje ručke kao ručke.
Kada podižete stroj u sklopljenom stanju, hvatajte za štitnik motora, a ne za ručke. (Vidi sl. L)

Prenošenje baterije

1. Osigurajte da je baterija u sigurnom stanju.
2. Prilikom transporta baterije koristite neprovodnu ambalažu.
3. Sadržane litij-ionske baterije podliježu zahtjevima zakona o opasnoj robi. Baterije transportirajte samo ako je njihovo kućište neoštećeno. Zapakirajte baterije na način da se ne mogu pomicati u pakiranju.

ODRŽAVANJE

! **UPOZORENJE!** Zaustavite kosilicu i izvadite bateriju prije uklanjanja trave iz košare za sakupljanje.

NAPOMENA: Kako biste osigurali dug i pouzdan rad, redovito provodite sjedeće postupke održavanja. Provjerite postoje li očiti nedostaci kao što su labava, pomaknuta ili oštećena oštrica, labavi spojevi i istrošene ili oštećene komponente. Provjerite jesu li svi poklopci i štitnici neoštećeni i jesu li ispravno pričvršćeni na kosilicu. Prije rukovanja kosilicom obavite potrebno održavanje ili popravke. Ako se kosilica pokvari unatoč redovitom održavanju, molimo nazovite našu liniju za pomoć korisnicima za savjet.

OŠTRENJE OŠTRICE

ODRŽAVAJTE OŠTRICU OŠTROM ZA NAJBOLJI UČINAK KOSILICE. TUPA OŠTRICA NE REŽE TRAVU UREDNO, TE NE MALČIRA ISPRAVNO. NOSITE ZAŠTITNE NAOČALE I RUKAVICE TIJEKOM UKLANJANJA, OŠTRENJA I UGRADNJE OŠTRICE.

NAPOMENA: Oštrenje ili zamjena oštrice nakon svakih 50 sati rada. Pijesak uzrokuje brzo tupljenje oštrice. Ako se vaš travnjak nalazi na pješčanom tlu, može biti potrebno češće oštrenje ili zamjena oštrice.

ODMAH ZAMIJENITE SAVINUTU ILI OŠTEĆENU OŠTRICU.

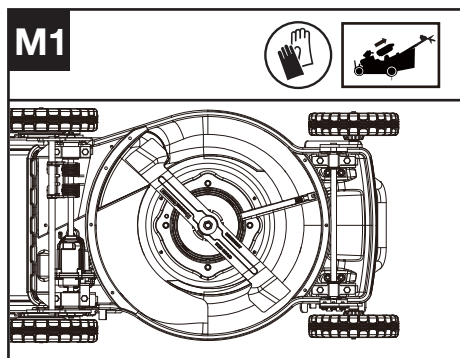
KOD OŠTRENJA OŠTRICE

1. Upotrijebite komad drva kako biste spriječili okretanje oštrice.
2. Pomoću nasadnog ključa uklonite vijak oštrice, a zatim oštricu. (Vidi odjeljak vezan uz uklanjanje

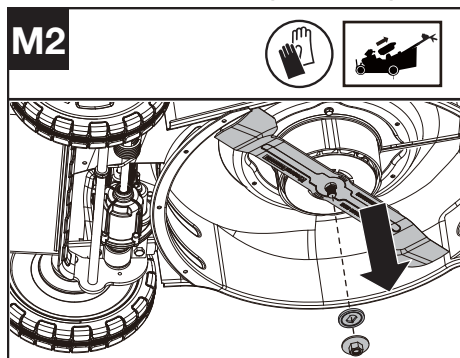
- oštrice)
3. Stegnite oštricu u škripac ili slično kako biste spriječili njeno pomicanje tijekom oštrenja.
 4. Naoštrite rezne rubove na oba kraja oštrice. Pazite da sa oba kraja bude uklonjena ista količina materijala kako bi oštrica bila balansirana.
 5. Provjerite ravnotežu oštrice. (Vidi odjeljak o balansiranju oštrice)
 6. Zamijenite oštricu obrnutim redoslijedom od rastavljanja.
 7. Obavezno zategnite vijak oštrice na potrební okretni moment (25 Nm).

NAPOMENA:

1. Pazite da kosiica bude isključena i izvadite bateriju.
2. Nagnite kosilicu na bok kao što je prikazano na slici M1.

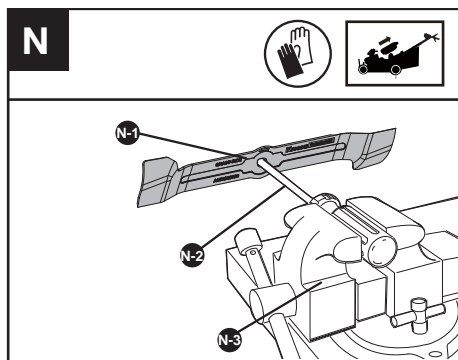


UKLANJANJE OŠTRICE (VIDI SL.M2)



BALANSIRANJE OŠTRICE (VIDI SL. N)

Provjerite ravnotežu oštrice zamjenom središnje rupe u oštrici N-1 preko drške odvijača N-2, stegnute vodoravno u škripcu N-3. Ako se bilo koji kraj oštrice okreće prema dolje, isturpijajte taj kraj. Oštrica je ispravno balansirana kada nijedan kraj ne pada.



ZAMJENA OŠTRICE

-Predlažemo da zamijenite različite oštrice kosilice u skladu s različitim radnim uvjetima za bolje iskustvo korištenja.

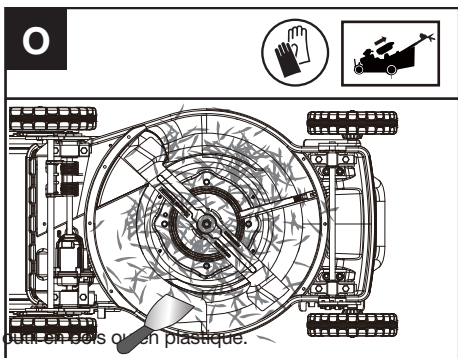
OŠTRICA	FUNKCIJA
Visokopodizna oštrica	Preporučuje se za pakiranje
Oštrica Gator	Preporučuje se za malčiranje

ČIŠĆENJE

1. Zaustavite kosilicu i uklonite bateriju.
2. Ne koristite agresivne deterdžente ili otapala. Očistite stroj nakon korištenja vlažnom krpicom namočenom u blagi deterdžent.
3. Održavajte priključak baterije čistim od prljavštine i krhotina te ga čistite mekanom i suhom četkom ili krpom.
4. Nemojte štrcati vodu po motoru i električnim komponentama.
5. Nemojte koristiti visokotlačni perač za čišćenje vašeg stroja.pressure washer to clean your machine.

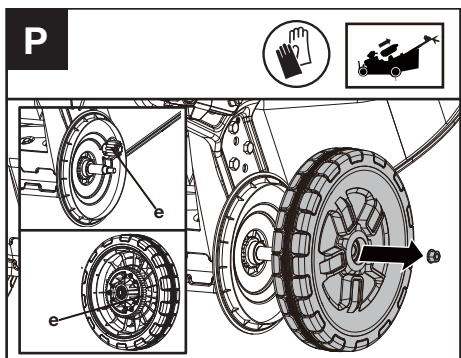
Čišćenje kucišta i područja oštrice. (Vidi sl. O)

Čišćenje pokošene trave i ostataka s kucišta i s područja oštrice. Ako je otkos trave zbijen u području oštrice, uklonite ga drvenim ili plastičnim alatom.



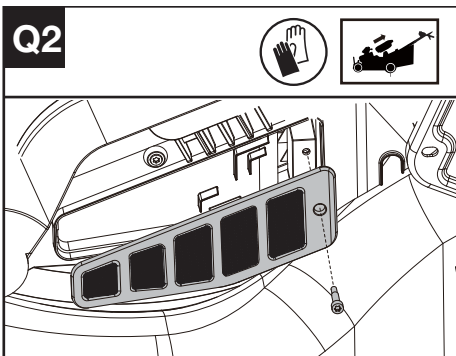
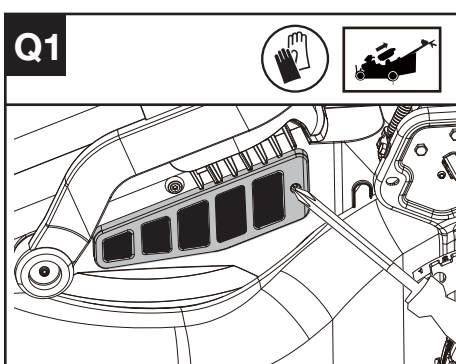
Čišćenje kotača. (Vidi sl. P)

- Zaustavite kosilicu i izvadite bateriju.
- Očistite kotače svakih 50 sati ili češće u ekstremnim uvjetima.
- Uklonite stražnje kotače i očistite pokosenu travu i krotine s područja kotača – zupčanika.
- Preporučuje se nanošenje male količine smjese protiv zapinjania na zupčanike nakon čišćenja



Čišćenje filtra zraka (Vidi sl. Q1, Q2)

1. Očistite područje oko filtra zraka. Koristite vlažnu krpicu ili mekanu četku.
2. Odvrnite i uklonite filtar zraka.
3. Isperite filtar zraka vodom kako biste uklonili prljavštinu.
4. Ostavite filtar zraka na otvorenom kako bi se osušio. Zatim ga vratite u kućište i montirajte ga zatezanjem vijka.



SKLADIŠTENJE

1. Zaustavite kosilicu i uklonite bateriju.
2. Temeljito očistite vanjski dio stroja pomoću meke četke i tkanine. Nemojte upotrebljavati otopine ili sredstva za poliranje. Uklonite svu travu i ostatke, posebno iz ventilacijskih otvora, ploče za malčiranje, s područja oštrice i kotača.
3. Stroj čuvajte na suhom mjestu, izvan dohvata djece i drugih neovlaštenih osoba. Nemojte postavljati druge predmete na stroj.
4. Za lakše skladištenje, kako biste preklopili ručku.
5. Skladištite bateriju samo unutar raspona temperature između 5 °C (41 °F) i 25 °C (77 °F). Na primjer, ne ostavljajte bateriju u automobilu ljeti.
6. Nakon što se smočite na kiši tijekom rada, stroj i bateriju treba osušiti prije pohranjivanja ili punjenja. Izvadite bateriju i ponovno je umetnite ako se stroj ne uspije uključiti.

OTKLANJANJE POTEŠKOĆA

Sljedeća tablica navodi probleme i radnje koje možete izvesti ako vaš stroj ne radi ispravno.




UPOZORENJE: Isključite stroj i izvadite bateriju prije bilo kakvog otklanjanja poteškoća.

PROBLEM	RIJEŠENJE
1. Kosilica ne radi kad je aktiviran radni mehanizam.	A. Provjerite kako biste se uvjerali da je gumb za pokretanje rezne oštrice potpuno pritisnut. B. Otpustite radni mehanizam kako biste isključili kosilicu. Izvadite bateriju, okrenite kosilicu i provjerite može li se oštrica slobodno okretati. Ako to nije slučaj, vratite je ovlaštenom serviseru. Oštrica se treba slobodno okretati. C. Je li baterija potpuno napunjena? Ukopčajte punjač i pričekajte da se upali zeleno svjetlo. D. Za pokretanje, pritisnite gumb za pokretanje rezne oštrice i istovremeno povucite radni mehanizam.
2. Motor se zaustavlja tijekom košnje.	A. Otpustite radni mehanizam kako biste isključili kosilicu. Uklonite bateriju, okrenite kosilicu kako biste provjerali je li začepljena ostacima trave, uklonite ostatke s područja vrtnje oštrice. Zatim, provjerite može li se oštrica slobodno kretati. Ako to nije slučaj, vratite je ovlaštenom serviseru. Oštrica se treba slobodno okretati. B. Podignite visinu rezanja kotača na najviši položaj i pokrenite kosilicu. C. Je li baterija potpuno napunjena? Ukopčajte punjač i pričekajte da se upali zeleno svjetlo. D. Izbjegavajte preopteretiti kosilicu. Usporite tempo košnje tako što ćete kosilicu gurati sporije ili povećajte visinu rezanja. Ili oboje.
3. Kosilica radi, ali učinak rezanja je nezadovoljavajući ili ne kosi cijeli travnjak.	A. Je li baterija potpuno napunjena? Priključite punjač i pričekajte da se upali zeleno svjetlo.* B. Otpustite radni mehanizam kako biste isključili kosilicu. Izvadite bateriju. Okrenite kosilicu i provjerite: Naoštrenost oštrice – držite oštricu oštrom. Jesu li trup i žlijeb za pražnjenje začepljeni. C. Podešavanje visine kotača možda je postavljeno prenisko za stanje trave. Povećajte visinu rezanja.
4. Kosilicu je preteško gurati.	A. Povećajte visinu rezanja kako biste smanjili vučenje trupa po travi. Provjerite okreće li se svaki kotač slobodno.
5. Kosilica je nenormalno bučna i vibrira.	A. Otpustite radni mehanizam kako biste isključili kosilicu. Izvadite bateriju. Okrenite kosilicu i provjerite oštricu kako biste se uvjerali da nije savinuta ili oštećena. Ako je oštrica oštećena, zamijenite je zamjenskom oštricom. Ako je donji dio trupa oštećen vratite kosilicu ovlaštenom servisnom centru. B. Ako nema vidljive štete na oštrici i kosilica i daje vibrira: Otpustite radni mehanizam kako biste isključili kosilicu, izvadite bateriju i uklonite oštricu. Okrenite oštricu za 180 stupnjeva i ponovo zategnite. Ako kosilica i dalje vibrira, vratite je ovlaštenom servisnom centru.
6. LED lampice punjača baterije nisu uključene.	A. Provjerite priključak utikača. B. Zamijenite punjač.
7. LED lampica punjača ne svijetli zeleno.	A. Potrebno je izvršiti dijagnostiku baterije. Odnosite u ovlašteni servisni centar.

8. Kosilica ne sakuplja otkos s košarom za sakupljanje trave.	A. Stražnji žlijeb zakrčen. Otpustite radni mehanizam kako biste isključili kosilicu. Izvadite bateriju. Očistite žlijeb od otkosa. B. Previše odrezane trave. Povećajte visinu rezanja kotača kako biste skratili duljinu rezanja. C. Košara puna. Češće praznite vreću.
9. Tijekom malčiranja vidljivi su otkosi.	A. Previše pokošene trave. Povećajte visinu rezanja kotača kako biste skratili duljinu rezanja. Nemojte rezati više od 1/3 ukupne duljine. B. Provjerite naoštrenost oštrice. Uvijek držite oštricu oštrom. C. Smanjite brzinu ako je trava visoka ili izuzetno debela.
10. Kratko ili smanjeno vrijeme rada nakon mnogih upotreba	A. Vratite u ovlaštenu servis – možda je potrebna nova baterija.
11. Indikator upozorenja treperi.	A. Isključite stroj, izvadite bateriju, a zatim ponovno postavite bateriju i uključite stroj. B. Obratite se serviseru.

TEHNIČKI PODACI

Oznaka tipa: **KC720 KC720.X (720 – oznaka strojeva, predstavnik kosilice SP s trupom od ojačanog čelika)**

	KC720 KC720.X **
Napon	60V  Max***
Materijal kućišta	ojačani čelik -1.8 mm
Širina rezanja	47 cm
Maks. SP brzina	6.4 km/h
Visina rezanja	20-80 mm
Položaji visine rezanja	7
Kapacitet sakupljanja trave	70 L
Stupanj zaštite	IPX4
Vrijeme rada	70min@11Ah****
Težina stroja (goli alat)	38 kg

** X=1-999,A-Z,M1-M9 upotrebljavaju se samo za različite korisnike, između ovih modela nema bitnih promjena koje se odnose na sigurnost.

*** Napon izmjeren bez radnog opterećenja. Inicijalni napon baterije dostiže maksimum od 60 volti. Nominalni napon je 54 volti.

**** Vrijeme rada može varirati ovisno o načinu upotrebe alata i stanju trave. Odabrana brzina rezanja utječe na trajanje baterije. Što je niža brzina rezanja, to je dulje vrijeme rada.

PREPORUČENE BATERIJE I PUNJAČI

Baterija	Kapacitet	Punjač	Struja u amperima
KAC810	11 Ah	KAC840	30 A

Preporučujemo da pribor kupite od dobavljača koji vam je prodao alat. Više pojedinosti potražite na ambalaži pribora. Dobavljač vam može pružiti pomoć i savjet.

TEHNIČKI PODACI ZA BATERIJSKI MODUL (NEOBAVEZNO)

Frekvencijski pojasevi za Bluetooth	2400-2483.5 MHz
Maksimalna prijenosna snaga za Bluetooth	8 dBm

PODACI O BUCI

Ponderirani zvučni tlak $L_{pA} = 83.2 \text{ dB(A)}$

$K_{pA} = 3 \text{ dB(A)}$

Ponderirana zvučna snaga $L_{wA} = 95.84 \text{ dB(A)}$

$K_{wA} = 0.65 \text{ dB(A)}$

Nosite zaštitu za uši.



INFORMACIJE O VIBRACIJAMA

Tipična ponderirana vibracija $a_h < 2.5 \text{ m/s}^2$

Neodređenost $K = 1.5 \text{ m/s}^2$

UPOZORENJE: Vrijednost emisije vibracija tijekom stvarne uporabe električnog alata može se razlikovati od deklarirane vrijednosti ovisno o načinima na koje se alat koristi, što ovisi o sljedećim primjerima i drugim varijacijama o načinu korištenja alata:

Način korištenja alata i materijali koji se režu ili buše. Dok je alat u dobrom stanju i stupnju održavanja. Uporaba pravilnog nastavka za alat i osiguravanje da je oštar i u dobrom stanju. Čvrstoća hvatanja ručki te koriste li se dodaci protiv vibracija.

Alat se koristi kako je namijenjen u skladu sa svojom namjenom i ovim uputama.

Ovaj alat može uzrokovati sindrom vibracije šake-ruke ako se njegovom uporabom ne upravlja na odgovarajući način.

UPOZORENJE: Da bi bila točna, procjena razine izloženosti u stvarnim uvjetima uporabe također treba uzeti u obzir sve dijelove radnog ciklusa, kao što su vrijeme kada je alat isključen i kada radi u praznom hodu, ali zapravo ne obavlja posao. Ovo može značajno smanjiti razinu izloženosti tijekom ukupnog radnog razdoblja.

Pomaže smanjiti rizik od izloženosti vibracijama.


UVIJEK upotrebljavajte oštra dlijetla, svrdla i oštice

Održavajte ovaj alat u skladu s ovim uputama i držite ga dobro podmazanim (gdje je to potrebno).

Ako se alat upotrebljava redovito, investirajte u nastavke protiv vibracija.

Planirajte svoj raspored rada kako biste rasporedili korištenje alata s jakim vibracijama na više dana.

ZAŠTITA OKOLIŠA

 Rabljeni električni proizvodi ne smiju se odlagati s kućanskim otpadom. Predajte ih na odgovarajućim reciklažnim mjestima. Savjete za reciklažu zatražite od lokalnih nadležnih tijela ili dobavljača.

IZJAVA O SUKLADNOSTI

MI,
Positec Germany GmbH
Postfach 680194, 50704 Cologne, Germany

U ime Positeca izjavljuju da je proizvod
Opis **Akumulatorska kosilica za travu**
Oznaka tipa **KC720 KC720.X (720 – oznaka
strojeva, predstavnik kosilice SP s trupom od
ojačanog čelika)**
Funkcija **košenja trave**

Usklađeno sa sljedećim smjernicama,
**2006/42/EC, 2014/30/EU, 2011/65/EU & (EU)
2015/863, 2000/14/EC izmijenjena do 2005/88/EC**

2000/14/EC izmijenjena do 2005/88/EC:
- postupak procjene sukladnosti prema **Prilog VI**
- izmjerena razina zvučne snage **95.84 dB (A)**
- proglašena zajamčena razina zvučne snage **96 dB (A)**

Uključeno ovlašteno tijelo
Ime i prezime: TÜV Rheinland LGA Products GmbH
(ovlaštena organizacija 0197)
Adresa: Tillystraße 2-90431 Nürnberg

Standardi su u skladu s:
**EN 62841-1, EN IEC 62841-4-3, EN ISO 3744, EN
IEC 55014-1, EN IEC 55014-2, EN IEC 63000**

Osoba ovlaštena za sastavljanje tehničke
dokumentacije:

Ime i prezime **Marcel Filz**
Adresa **Positec Germany GmbH**
Postfach **680194, 50704 Cologne, Germany**



2024/02/05
Allen Ding
Zamjenik šefa inženjeringa, Testiranje i certifikacija
Positec Technology (China) Co., Ltd
18, Dongwang Road, Suzhou Industrial
Park, Jiangsu 215123, P. R. China

HR

INDHOLDSFORTEGNELSE

Introduktion.....	264
Komponentliste.....	266
Produktsikkerhed.....	267
Samling og betjenings.....	270
Transport.....	275
Vedligeholdelse.....	275
Rengøring.....	276
Opmagasinerings.....	277
Fejlfinding.....	278
Tekniske data.....	279
Miljøbeskyttelse.....	280
Konformitetserklæring.....	280

INTRODUKTION

Kære kunde,

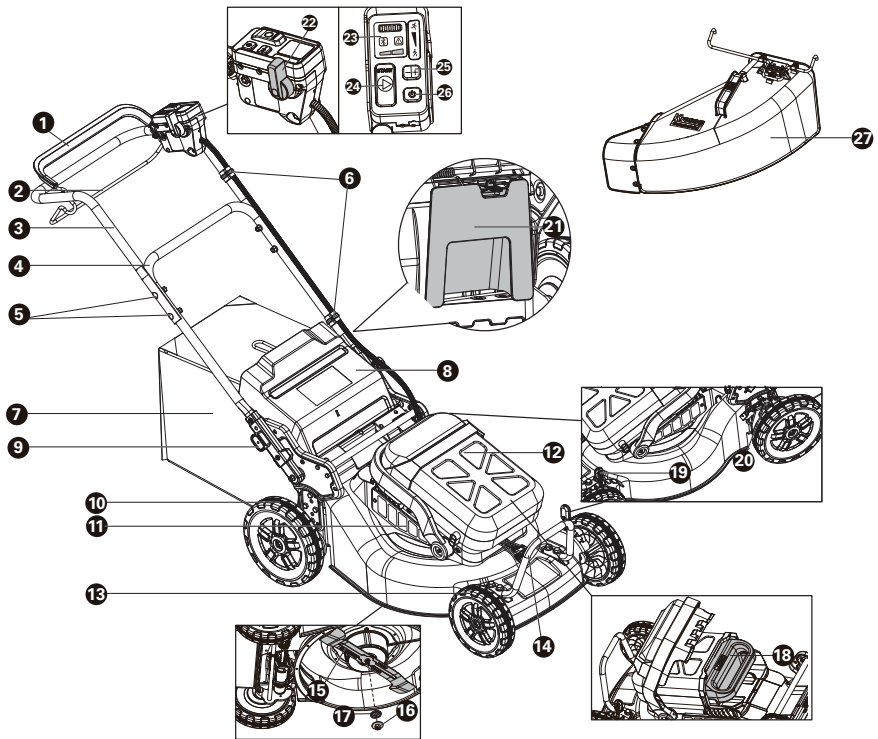
Tak, fordi du købte dette Kress Commercial-produkt. Vi har specialiseret os i at udvikle produkter af høj kvalitet, der dækker dine krav til din plæne og din have.

Kress-mærket står for service af førsteklasses kvalitet. Bed din lokale forhandler eller vores kundeserviceteam om hjælp, hvis du har spørgsmål om eller problemer med produktet i dets levetid.

Vi er overbeviste om, at du vil nyde at bruge dit Kress-produkt i de kommende år.

FORESKREVET ANVENDELSE

Dette produkt er beregnet til professionel græsklipning.



DK

KOMPONENTLISTE

1. TILKOBLINGSBØJLE (TIL KNIV)
2. FREMDRIFTSBØJLE
3. ØVRE HÅNDTAG
4. NEDRE HÅNDTAG
5. SKRUER TIL HÅNDTAG
6. KABELKLEMME
7. GRÆSOPSAMLINGSDRUM
8. SIKKERHEDSKLAP
9. HØJDEINDSTILLINGSGREB
10. BAGHJUL
11. LUFTFILTER
12. DÆKSEL TIL BATTERIRUMMET
13. FORHJUL
14. MOTORBESKYTTER
15. KNIV
16. MØTRIK TIL KNIV
17. SKIVE
- DK 18. BATTERIPAKKE*
19. HÅNDTAG TIL JUSTERING AF KLIPPEHØJDE FOR
20. HÅNDTAG TIL JUSTERING AF KLIPPEHØJDE BAG
21. BIOKLIPBLOK
22. HASTIGHEDSSTYRING TIL FREMDRIFT
23. LED-INDIKATORER
24. STARTKNAP TIL KNIV
25. HASTIGHEDSKNAP TIL KLIPPEHASTIGHED
26. TÆND/SLUK-KNAP
27. UDTØMNINGSKANAL PÅ SIDEN*

* Illustreret eller beskrevet tilbehør er kun delvis indeholdt i leverancen.

ORIGINAL BRUGSANVISNING PRODUKTSIKKERHED GENERELLE ADVARSLER I FORBINDELSE MED MASKINVÆRKTØJ



ADVARSEL: Læs alle sikkerhedsadvarsler, instruktioner, illustrationer og specifikationer, som følger med el-værktøjet. I

tilfælde af manglende overholdelse af anvisningerne

nedenfor er der risiko for elektrisk stød, brand og/eller alvorlige personskader.

Gem alle advarsler og instruktioner for fremtidig reference.

Udtrykket "elværktøj" i nedenstående advarsler henviser til dit eldrevne (med ledning) eller batteridrevne (uden ledning) værktøj.

1) ARBEJDSOMRÅDE

- a) Sørg for, at arbejdsområdet er rent og godt oplyst. Rodede arbejdsområder kan forårsage personskade.
- b) Anvend ikke elværktøj i eksplosive atmosfærer, f.eks. i nærheden af brændbare væsker, gasser eller støv. Elværktøj frembringer gnister, der kan antænde støv eller dampe.
- c) Hold børn og tilskuere på afstand, når elværktøjet bruges. Hvis du bliver distraheret, kan du miste kontrollen over værktøjet.

2) ELSIKKERHED

- a) Elværktøjets stik skal svare til stikkontakten. Du må ikke ændre stikket på nogen måde. Brug ikke adapterstik til elværktøj med jordforbindelse. Hvis du bruger uændrede stik og stikkontakter, der passer til stikkene, mindskes risikoen for elektrisk stød.
- b) Undgå at røre ved overflader med jordforbindelse, f.eks. rør, radiatorer, komfurer og køleskabe. Risikoen for elektrisk stød øges, hvis din krop får jordforbindelse.
- c) Brug ikke maskinen i regnvejr eller fugtige omgivelser. Det kan øge risikoen for elektrisk stød.
- d) Undgå at udsætte ledningen for overlast. Bær ikke værktøjet i ledningen, og træk ikke i ledningen, når du tager stikket ud af stikkontakten. Hold ledningen væk fra varme, olie, skarpe kanter og bevægelige dele. Beskadigede eller filtrerede ledninger øger risikoen for elektrisk stød.
- e) Brug altid forlængerledninger til udendørs brug, når du anvender værktøjet udendørs. Risikoen for elektrisk stød mindskes, hvis forlængerledningen er egnet til udendørs brug.
- f) Hvis det elektriske værktøj anvendes i fugtige omgivelser, skal der ubetinget anvendes en strømforsyning, der er

beskyttet mod reststrøm. Det mindsker risikoen for elektriske stød.

3) PERSONLIG SIKKERHED

- a) Vær opmærksom, hold altid øje med værktøjet, og brug din sunde fornuft ved brug af elværktøjet. Brug ikke elværktøjet, hvis du er træt eller påvirket af narkotika, alkohol eller medicin. Et øjeblikks koncentrationssvigt ved brug af elværktøj kan medføre alvorlig personskade.
 - b) Brug beskyttelsesudstyr. Brug altid sikkerhedsbriller. Sikkerhedsudstyr som støvmaske, skridsikre sikkerhedssko, sikkerhedshjelm eller høreværn mindsker risikoen for personskade.
 - c) Undgå at starte utilsigtet. Kontroller, at kontakten står i stillingen OFF, inden udstyret tilsluttes en strømkilde og/eller batteripakke, samles op eller transporteres. Hvis du bærer elværktøj med fingeren på afbryderen eller sætter stikket i stikkontakten, mens afbryderen er tændt, er der risiko for ulykker.
 - d) Fjern justeringsnøgler og lignende fra elværktøjet, før du tænder det. Justeringsnøgler, der sidder på elværktøjets roterende dele, kan resultere i personskade.
 - e) Undgå at udføre for langt. Sørg for at have et godt fodfæste og underlag. Det giver bedre kontrol over elværktøjet i uventede situationer.
 - f) Brug egnet arbejdstøj. Undgå løse beklædningsgenstande eller smykker. Hold hår og tøj væk fra dele, der bevæger sig. Hold hår, tøj og handsker på afstand af de bevægelige dele. Løstsiddende tøj, smykker eller langt hår kan blive fanget af de bevægelige dele.
 - g) Hvis værktøjet leveres med støvpose og adapter til støvudsugning, skal du kontrollere, at delene er tilsluttet korrekt. Disse enheder mindsker risikoen for skader på grund af støv.
 - h) Selvom du kender værktøjet godt og er vant til at bruge det, skal du alligevel være opmærksom og overholde sikkerhedsanvisningerne. Et øjeblikks uopmærksomhed kan medføre alvorlige personskader.
- ## 4) BRUG OG VEDLIGEHOLDELSE AF ELVÆRKTØJ
- a) Undlad at presse elværktøjet. Brug det korrekte elværktøj til opgaven. Du opnår en bedre og mere sikker drift, hvis du anvender det korrekte elværktøj ved den anbefalede hastighed.
 - b) Undlad at bruge elværktøjet, hvis afbryderen ikke slår værktøjet til og fra. Elværktøj, der ikke kan kontrolleres ved hjælp af afbryderen, er farligt og skal repareres.
 - c) Træk stikket på værktøjet ud fra strømkilden og/eller batteripakken, inden der foretages justeringer, udskiftning af dele eller opbevaring af værktøjet. Disse forholdsregler

mindsker risikoen for utilsigtet start af elværktøjet.

- d) **Opløber elværktøj utilgængelig for børn, og lad aldrig personer, der ikke er fortrolige med elværktøjet eller disse anvisninger, bruge elværktøjet.** *Elværktøj er farligt, hvis det bruges forkert.*
- e) **Vedligehold elværktøjet.** *Kontrollér, om de bevægelige dele er korrekt justeret eller går tungt, om dele er gået i stykker og enhver anden tilstand, som kan påvirke elværktøjets funktion. Hvis elværktøjet er beskadiget, skal det repareres inden brug. Mange ulykker forårsages af dårligt vedligeholdt elværktøj.*
- f) **Hold værktøjet skarpt og rent.** *Korrekt vedligeholdt elværktøj med skarpe klinger sætter sig ikke fast og er nemmere at kontrollere.*
- g) **Brug elværktøjet, tilbehøret og eventuelle bits i henhold til disse anvisninger og på en passende måde for den pågældende type elværktøj.** *Tag altid højde for arbejdsomgivelserne og den forhåndenværende opgave. Hvis elværktøjet bruges til andre opgaver end den, det er beregnet til, kan det medføre farlige situationer.*
- h) **Hold håndtag og gribeblader tørre, rene og fri for olie og smørefedt.** *Hvis håndtag og gribeblader er glatte, kan værktøjet ikke håndteres og styres sikkert, hvis der sker noget uventet.*

5) BRUG OG ANVENDELSE AF BATTERIVÆRKTØJ

- a) **Oplad kun med den oplader, der er angivet af producenten.** *En oplader, der passer til en type batterienhed kan forårsage risiko for brand, hvis den bruges sammen med en anden batterienhed.*
- b) **Brug kun de el-værktøjer, der er specifikt angivet til batterienhederne.** *Brug af andre batterienheder kan udgøre en risiko for skade og brand.*
- c) **Når batterienheden ikke bruges, skal du holde den væk fra andre metalgenstande som f.eks. papirclips, mønter, nøgler, søm, skruer eller andre mindre metalgenstande, der kan skabe forbindelse mellem en klemme til en anden.** *Kortslutning af batteriklemmer kan forårsage brandsår eller brand.*
- d) **Ved forkert brug kan der sprøjte væske ud af batteriet; undgå kontakt.** *Hvis der sker kontakt ved et uheld, skal du straks skylle med vand. Hvis der kommer væske i øjnene, skal du også søge lægehjælp. Væske, der sprøjtes ud fra batteriet, kan medføre irritation eller forbrænding.*
- e) **Brug ikke akkuer eller værktøj, som er beskadiget eller modificeret.** *Beskadigede eller modificerede akkuer kan opføre sig uforudsigeligt og forårsage brand, eksplosion eller fare for personskade.*
- f) **Akkuer eller værktøj må ikke udsættes for ild eller meget høje temperaturer.** *Ild*

eller temperaturer over 130 °C kan medføre eksplosion.

- g) **Følg alle instruktioner for opladning.** *Akkuen må ikke oplades ved temperaturer uden for det område, der er angivet i instruktionerne. Forkert opladning eller opladning ved temperaturer uden for det angivne område kan medføre skader på akkuen og forøge brandfaren.*
- 6) **SERVICE**
 - a) **Service på elværktøjet skal udføres af en autoriseret reparatør ved hjælp af originale reservedele.** *Dette sikrer, at elværktøjet er sikkert at bruge.*
 - b) **Beskadigede akkuer må aldrig repareres.** *Reparation af akkuer må kun udføres af producenten eller autoriserede reparatører.*

SIKKERHEDSADVARSLER TIL PLÆNEKLIPPEREN

- a) **Plæneklipperen må ikke bruges i dårlige vejrforhold, især hvis der er risiko for lynnedslag.** *Dette reducerer risikoen for, at blive ramt af lyn.*
- b) **Kontroller grundigt for dyreliv i området, hvor plæneklipperen skal bruges.** *Dyr kan komme til skade, når plæneklipperen bruges.*
- c) **Kontrollér grundigt området, hvor plæneklipperen skal bruges og fjern alle sten, pinde, ledninger, knogler og andre fremmedlegemer.** *Genstande der slynges omkring kan forårsage personskade.*
- d) **Før plæneklipperen tages i brug, skal du altid se efter om klingens eller klingesamlingen er beskadiget.** *Slidte eller beskadigede dele øger risiko for personskader.*
- e) **Se regelmæssigt græsopsamlere efter for slitage eller forringelse.** *En slidt eller beskadiget græsopsamler kan øge risikoen for personskader.*
- f) **Hold skærmene på plads.** *Skærmene skal være i funktionsdygtig tilstand, og de skal sidde rigtigt på værktøjet.* *En skærm, der er løs, beskadiget eller som ikke virker ordentligt, kan føre til personskader.*
- g) **Hold alle luftindtag fri for skidt.** *Tilstoppede luftindtag og skidt kan overophede produktet, og det udgør en risiko for brand.*
- h) **Brug altid skridsikkert og beskyttende fodtøj, når plæneklipperen bruges.** *Plæneklipperen må ikke bruges, når du er barfodet eller bruger åbne sandaler.* *Dette reducerer risikoen for skader på fødderne, da de kan komme i kontakt med klingens.*
- i) **Under brug af plæneklipperen, skal du altid bruge lange bukser.** *Hud, der ikke er tildækket, kan tage skade fra genstande, der slynges omkring.*
- j) **Plæneklipperen må ikke bruges på vådt græs.** *Gå. Du må aldrig løbe.* *Dette reducerer*

risikoen for, at du glider og falder, hvilket kan føre til personskader.

- k) **Plæneklipperen må ikke bruges på meget stejle skråninger.** Dette reducerer risikoen for, at brugeren taber kontrol med maskinen, glider eller falder, hvilket kan føre til personskade.
- l) **Ved arbejde på skråninger skal brugeren altid sørge for, at have ordentlig fodfæste. Arbejd altid på tværs af skrånningen, aldrig op/ned og vær ekstremt forsigtig ved retningsskift.** Dette reducerer risikoen for, at brugeren taber kontrol med maskinen, glider eller falder, hvilket kan føre til personskade.
- m) **Vær meget forsigtig, når du bakker eller trækker plæneklipperen mod dig selv. Vær altid opmærksom på dine omgivelser.** Dette reducerer risikoen for, at du snubler under brug.
- n) **Rør ikke ved klingerne eller andre farlige bevægelige dele, når de er i bevægelse.** Dette reducerer risiko for tilskadekomst fra bevægelige dele.
- o) **Når du fjerner fastklemt materiale eller rengør maskinen, skal du sørge for, at alle kontakter er slukket, og at batteriet er afbrudt.** Hvis plæneklipperen startes ved et uheld, kan det føre til alvorlige personskader.

BATTERISIKKERHED SIKKERHEDSFORSKRIFTER TIL BATTERISÆT

- a) **Sekundærelementer eller batterisæt må ikke skilles ad, åbnes eller knuses.**
- b) **Et batterisæt må ikke kortsluttes. Batterisæt må ikke opbevares lemfældigt i en kasse eller skuffe, hvor de kan kortsluttes hinanden eller kortsluttes af ledende genstande.** Når batterisættet ikke er i brug, skal det holdes væk fra andre metalgenstande, såsom papirclips, mønter, nøgler, søm, skruer eller andre små metalgenstande, der kan skabe en forbindelse fra en pol til en anden, Kortslutning af batteripoler kan medføre forbrændinger eller brand.
- c) **Batterisæt må ikke udsættes for varme eller ild. Må ikke opbevares i direkte sollys.**
- d) **Batterisæt må ikke udsættes for mekaniske stød.**
- e) **I tilfælde af at et batteri lækker, må væsken ikke komme i kontakt med huden eller øjne. Hvis der er sket kontakt, skal det berørte område vaskes med rigelige mængder vand, hvorefter der søges lægehjælp.**
- f) **Opbevar batterisæt på et rent og tørt sted.**
- g) **Aftør batterisættets poler med en tør klud, hvis de bliver snavsede.**
- h) **Batterisæt skal oplades før anvendelsen. Anvend altid den korrekte oplader, og læs producentens anvisninger eller brugervejledning for, hvordan batterierne oplades korrekt.**
- i) **Et batterisæt må ikke efterlades til opladning i**

længere tid, hvis det ikke anvendes.

- j) **Efter længere opbevaringsperioder kan det være nødvendigt at oplade eller aflade batterisættet flere gange for at op den optimale ydelse.**
- k) **Kress. Anvend ingen anden oplader end den, der specifikt er beregnet til brug med udstyret.**
- l) **Brug kun det korrekte batteri til udstyret.**
- m) **Batterisættet skal opbevares utilgængeligt for børn.**
- n) **Opbevar den originale produktlitteratur til fremtidig brug.**
- o) **Batterisættet skal fjernes fra udstyret, når det ikke er i brug.**
- p) **Bortskaffes på en miljørigtig måde.**
- q) **Bland ikke batterier af forskellig fremstilling, kapacitet, størrelse eller type i enheden.**
- r) **Hold batteriet væk fra mikrobølgeovne og højt tryk.**
- s) **Advarsel! Brug ikke genopladelige batterier.**



BRUGERVEJLEDNING – KRAV TIL TRÅDLØST PRODUKT

- a) **Brugen af denne enhed er underlagt følgende to betingelser:**
 - (1) This device may not cause harmful interference, and
 - (2) denne enhed skal acceptere enhver modtaget interferens, inklusive interferens, der kan forårsage uønsket drift.
- b) **Forsigtig: Ændringer eller modifikationer af denne enhed, der ikke udtrykkeligt er accepteret af den part, der er ansvarlig for overholdelsen, kan ugyldiggøre brugerens ret til at bruge udstyret.**
- c) **BEMÆRK: Dette udstyr genererer, bruger og kan udsende radiofrekvensenergi og kan, hvis det ikke installeres og bruges i overensstemmelse med instruktionerne, forårsage skadelig interferens i radiokommunikation. Der er dog ingen garanti for, at interferens ikke vil forekomme i en bestemt installation. Hvis dette udstyr forårsager skadelig interferens på radio- eller tv-modtagelse, hvilket kan fastslås ved at slukke og tænde for udstyret, opfordres brugeren til at forsøge at rette op på interferensen ved hjælp af en eller flere af følgende foranstaltninger:**
 - Drej eller flyt modtagerantennen.
 - Øg afstanden mellem udstyret og modtageren.
 - Tilslut udstyret til en stikkontakt på et andet kredsløb end det, som modtageren er tilsluttet.
 - Henvend dig til en forhandler eller en erfaren radio-/tv-tekniker for assistance.


DK

SYMBOLER

	For at undgå risikoen for personskader skal brugeren læse brugervejledningen
	Advarsel
	ADVARSEL – Pas på genstande, der slynges omkring – hold omkringstående personer væk
	ADVARSEL – Hold hænder og fødder væk fra klingerne
	ADVARSEL – Hold hænder og fødder væk fra klingerne
	Bladet fortsætter att rotera efter det att maskinen stängts av. Vänta till maskinens komponenter har stannat helt och hållet innan du rör vid dem.
	Bær beskyttelsehandsker
	Fjern batteriet fra soklen før justering, vedligeholdelse eller brug.
	Hvis det ikke håndteres korrekt, kan batteriet muligvis komme ind i vandcyklussen, hvilket kan forårsage skade på økosystemet. Bortskaf ikke brugte batterier som usorteret kommunalt affald.
	Må ikke brændes
	Høj hastighed
	Lav hastighed

	Lithium-ion batteri Dette produkt er mærket med et symbol i forbindelse med "separat indsamling" af alle batterier og batteripakker. Det genanvendes eller fjernes for at reducere miljøbelastningen. Batteriet kan være skadeligt for miljøet og menneskers sundhed, fordi det indeholder skadelige stoffer.
	Affald af elektriske produkter må ikke bortskaffes sammen med husholdningsaffald. Indlever så vidt muligt produktet til genbrug. Kontakt de lokale myndigheder eller forhandleren, hvis du er i tvivl.

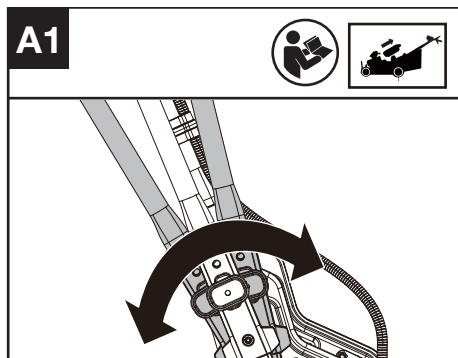
SAMLING OG BETJENINGS

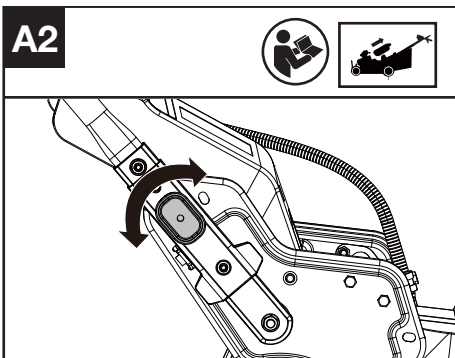
 **BEMÆRK:** Før du bruger værktøjet, skal du nøje læse brugsvejledningen.

 **FØR BRUG:**

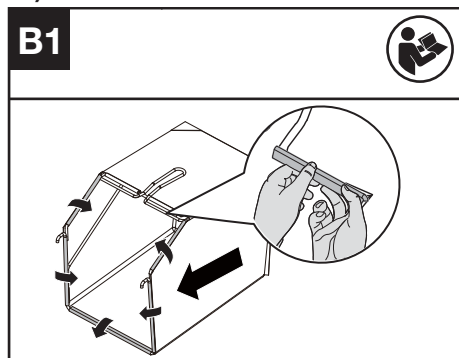
Indstilling af håndtagets højde og samling af nedre håndtag. (Se Fig. A1, A2)

Du kan vælge mellem 3 højdeindstillinger. Vælg den ønskede højde, og drej på højdeindstillingsgrebet.

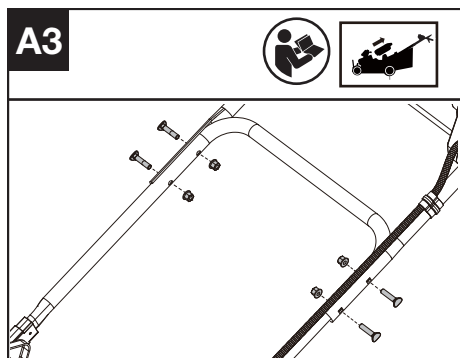




Montering af græsopsamlingspose (Se Fig. B1)



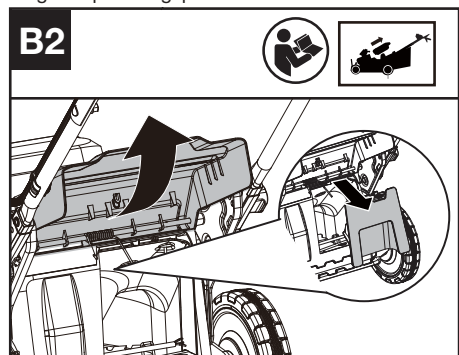
Samling af øvre håndtag. (Se Fig. A3)



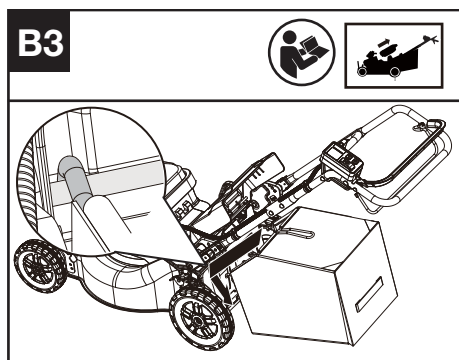
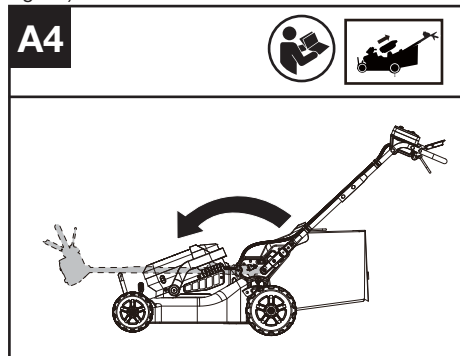
Montering af græsopsamlingsposen på plæneklipperen (Se Fig. B2,B3,B4)

BEMÆRK: Tryk græsopsamlingsposen let ned for at sikre dig, at den er monteret korrekt.

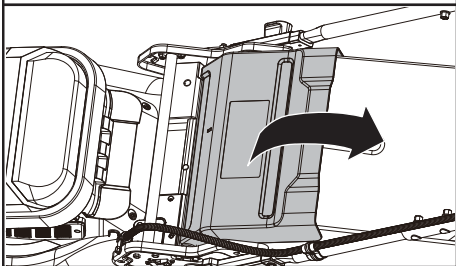
BEMÆRK: Tag bioklipblokken ud af plæneklipperen, før græsopsamlingsposen monteres.



BEMÆRK: Håndtagene kan sammenfoldes i forbindelse med transport eller vinteropbevaring. (Se Fig. A4)

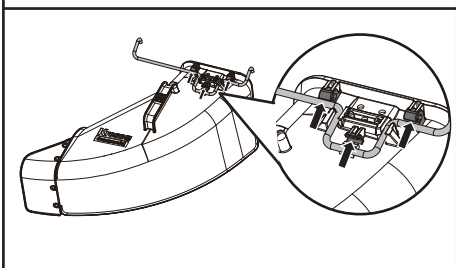
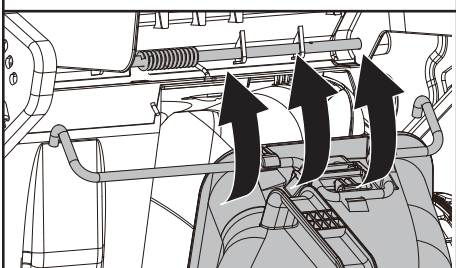


DK

B4

Montering af udtømningskanal på siden af plæneklipperen (Se Fig. C1, C2,)

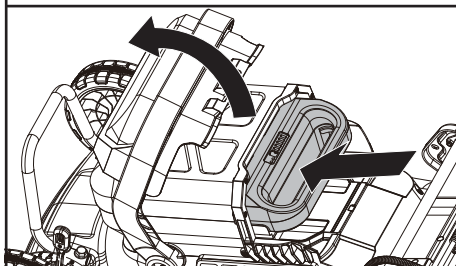
BEMÆRK: Tag bioklipblokken ud af plæneklipperen, og fjern græsopsamlingsposen, inden du monterer udtømningskanalen på siden.

C1**C2**

Kontrol af batteriniveau og opladning af batteripakke.

BEMÆRK: Batteriet er ikke opladet ved forsendelsen. Batteriet skal lades helt op inden den første klipning. Du kan finde flere oplysninger i brugsanvisningen til batteri og oplader.

Isætning/udtagning af batteri (Se Fig. D)

D

Afprøvning af betjeningsanordningerne

1. Fjern batteriet.
2. Tryk på tænd/sluk-knappen, startknappen til kniven og hastighedsknappen til klippehastigheden. Hvis tænd/sluk-knappen, startknappen til kniven eller hastighedsknappen til klippehastigheden sætter sig fast og ikke automatisk går tilbage til udgangspositionen, må du ikke længere bruge plæneklipperen. Kontakt serviceagenten.
3. Træk og slip bøjlerne til fremdrift og tilkobling af kniv. Hvis bøjlerne til fremdrift og tilkobling af kniv sætter sig fast og ikke automatisk går tilbage til udgangspositionen, må du ikke længere bruge plæneklipperen. Kontakt serviceagenten.
4. Drej knappen til hastighedsstyring af fremdrift. Hvis knappen til hastighedsstyring af fremdrift sætter sig fast, må du ikke længere bruge plæneklipperen. Kontakt serviceagenten.

Kontrol af displayet (Se Fig.E)

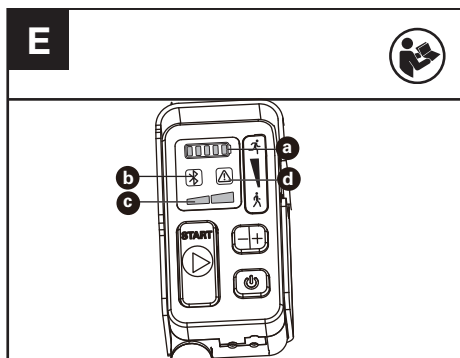
1. Isæt batteriet.
2. Hold tænd/sluk-knappen inde, så batteriindikatoren (a) og hastighedsindikatoren (c) tændes.
3. Tryk på startknappen til kniven, og træk bøjlen til tilkobling af kniv ind mod håndtaget for at starte maskinen.
4. Hvis advarselsindikatoren (d) lyser eller blinker, skal du se afsnittet Fejlafhjælpning for at finde en løsning.
5. Slip bøjlen til tilkobling af kniv. Kniven holder op med at rotere efter kort tid. Hvis kniven ikke stopper, skal du fjerne batteriet og kontakte serviceagenten.

LED-indikatorer

- | | |
|----|---------------------------|
| a. | BATTERIINDIKATOR |
| b. | BLUETOOTHINDIKATOR |
| c. | KLIPPEHASTIGHEDSINDIKATOR |
| d. | ADVARSELSINDIKATOR |

BEMÆRK: Advarselsindikatoren blinker rødt eller

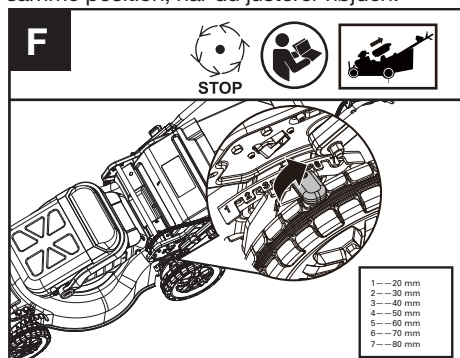
gult, når maskinen ikke er funktionsdygtig. Hvis den røde lampe blinker, bedes du søge hjælp hos forhandleren. Hvis den gule lampe blinker, skal du slukke for maskinen, fjerne batteripakken og derefter sætte batteripakken i igen og tænde for maskinen. Hvis den gule lampe fortsætter med at blinke, bedes du kontakte forhandleren.



Indstilling af klippehøjde (Se Fig. F)

Indstil klippehøjden ved hjælp af håndtagene til justering af klippehøjden foran og bag på plæneklipperen.

BEMÆRK: Sørg for, at for- og baghjul holdes i samme position, når du justerer højden.



ADVARSEL! Stop, udløs betjeningsbøjlen, og vent indtil motoren stopper, inden højden justeres. Kniven fortsætter med at dreje rundt, efter at plæneklipperen er slukket, og derfor kan kniven forårsage personskader. Tag aldrig fat i en kniv, der roterer.

DRIFT

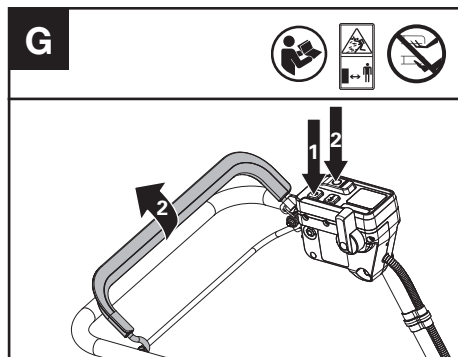
Starte og stoppe plæneklipperen (Se Fig. G)

1. Tryk på tænd/sluk-knappen.
2. Hold startknappen til kniven inde, og træk i bøjlen for at starte maskinen.
3. Slip bøjlen for at stoppe.

ADVARSEL! Kniven fortsætter kortvarigt med at rotere, efter at plæneklipperen er slukket. Vent, til kniven står helt stille.

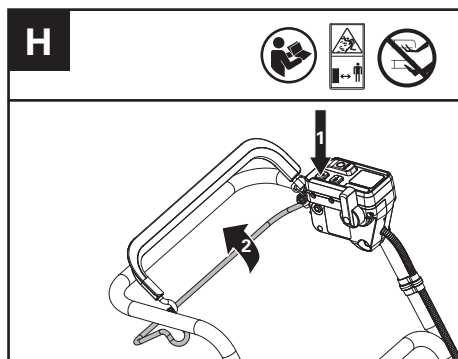
BEMÆRK: For at starte maskinen skal du trykke på startknappen til kniven og samtidigt trække tilkoblingsbøjlen ind mod håndtaget.

BEMÆRK: Hold tænd/sluk-knappen inde, indtil displayet tændes. Displayet slukkes automatisk, hvis plæneklipperen ikke betjenes i 60 sekunder.

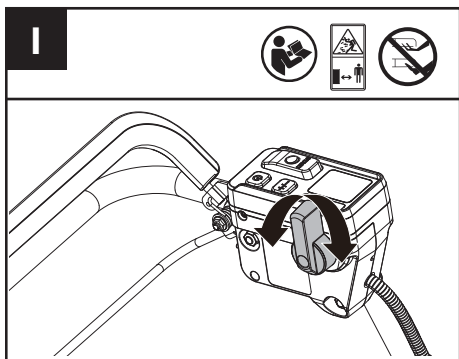


Sådan bruges plæneklipperen selvkørende (Se Fig. H)

1. Tryk på tænd/sluk-knappen.
2. Træk fremdriftsbøjlen ind mod håndtaget for at slå fremdriften til.
3. Slip fremdriftsbøjlen for at stoppe..

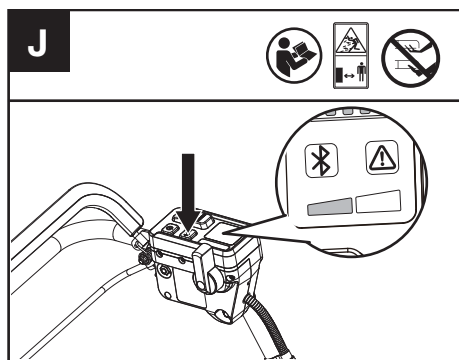


Vælg fremdriftshastighed (Se Fig. I)



Vælg klippehastighed (Se Fig. J)

Du kan vælge mellem 2 hastighedstrin afhængigt af anvendelsesformålet. Brug knappen +/- til at styre hastigheden med. Hastigheden vises med LED-indikatorerne. Jo højere hastighedstrin, jo hurtigere kører maskinen.



TIPS OM GRÆSKLIPNING MED BIOKLIP

Når der anvendes bioklip, er den nye plæneklipper beregnet til at klippe græsafsklippen i små stumper og fordele dem ud på græsplænen. Under normale forhold vil det finklippede græs hurtigt nedbrydes biologisk og gode plænen. Følg nedenstående anbefalinger for at opnå den bedste bioklipning.

- 1) Undlad at klippe græs, hvis græsset er vådt af regn eller dug. Våd græs kan danne klumper, som forstyrrer bioklipfunktionen, hvilket også forkorter driftstiden.
- 2) Den bedste bioklipning opnås ved at indstille klippehøjden til ca. 1/3 af græslængden, og helst ikke mere end 40 mm ad gangen. Hvis græsset er groet for langt, kan det blive nødvendigt at øge klippehøjden for at mindske skubbeanstrengelsen og forhindre en overbelastning af motoren. For at opnå en ekstrakraftig bioklipning, anbefales det først at klippe med en høj indstilling og derefter at klippe igen til den endelige højde. Ellers klip mindre og klip langsomt..

- 3) Du opnår den bedste ydelse, hvis du holder plæneklipperens underside fri for ophobet græs. Sluk regelmæssigt plæneklipperen, og vent, indtil kniven stopper helt. Tag derefter batteriet ud, og vend plæneklipperen om på siden. Fjern ophobet græs omkring kniven med en genstand, som f.eks. en pind. Pas på de skarpe kanter på kniven. Rengør regelmæssigt området omkring kniven, især hvis du klipper vådt eller nyt græs, og efter hver brug.
- 4) Visse typer græs eller græsforhold kan kræve, at græsset skal bioklippes en gang mere for at få det ordentligt spredt ud over plænen. Hvis plænen klippes en gang mere, anbefales det at klippe vinkelret på (på tværs af) den første klipning. PÅ SKRÆNTER MÅ KLIPPEMØNSTRET IKKE ÆNDRES PÅ NOGEN MÅDE. DET FORÅRSAGER BARE, AT DER KLIPPES NED AD BAKKE.
- 5) Skift klippemønster fra uge til uge. Det er med til at forhindre dannelse af en måtte og marmorering af plænen.
- 6) Klip ikke på en skråning, der er stejlere end 18°.


KLIPPEAREAL

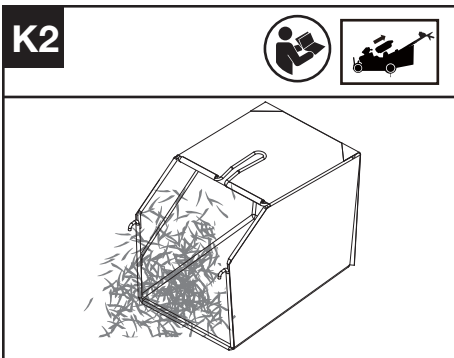
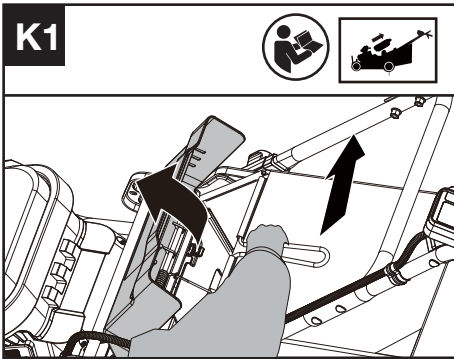
Klippeområdet kan påvirkes af flere faktorer så som klippehøjde, fugtigheden af plænen, græssets længde og tæthed. Desuden vil for mange start og stop af plæneklipperen under drift reducere klippearealet.

TIPS:

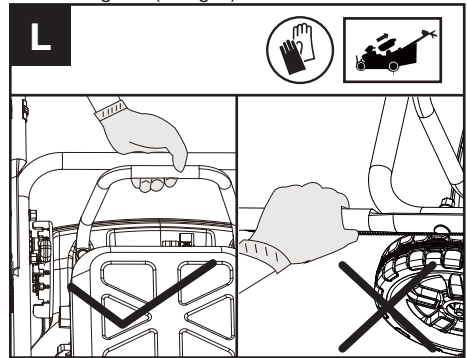
- 1) Det anbefales at klippe plænen oftere, gå med normal hastighed og ikke starte/stoppe plæneklipperen for ofte under driften.
- 2) Du opnår den bedste ydelse, hvis batteripakken er fuldt opladet, og du nøjes med at klippe maksimalt 1/3 af græshøjden. Det anbefales at udskifte kniven inden sæsonstart.
- 3) Gå langsomt når der klippes langt græs, for at få en mere effektiv klipning, og korrekt udsmidning af det afklippede.
- 4) Undgå at klippe vådt græs, eller vil det klæbe til undersiden af klippebordet, og afklippet kan ikke indsamles eller udsvides korrekt.
- 5) Ved nyt eller tykt græs skal der anvendes en højere klippehøjde, og det vil forlænge batteriets varighed.

Sådan tømmes græsopsamlingsposen (Se Fig. K1, K2)

 **ADVARSEL!** Kontrollér altid, at sikkerhedsklappen har lukket bagudkastet, inden du bruger plæneklipperen. Du må ikke løfte sikkerhedsklappen eller fjerne bioklipblokken, hvis maskinen bruges uden græsopsamlingsposen.



3. Hvis du skal løfte plæneklipperen, bør I være to personer om det. Løft plæneklipperen i det nedre håndtag og i motorbeskytteren.
Når du løfter maskinen i sammenklappet tilstand, skal du tage fat i motorbeskytteren, ikke i håndtagene. (Se fig. L)



Transport af batteriet

1. Sørg for, at batteriet er i sikker stand.
2. Brug ikke-ledende emballage, når du transporterer batteriet.
3. Li-Ion-batterierne er omfattet af lovgivningen om farligt gods. Transporter kun batterier, hvis batterihuset er intakt. Pak batterierne ind på en sådan måde, at de ikke kan bevæge sig rundt i emballagen.

TIL BATTERIREDSKABER

Den anbefalede temperatur for afladning er -20 °C ~ 45 °C (-4 °F ~ 113 °F).

Det anbefalede omgivelsestemperaturområde for opladningssystemet under opladningen er -5 °C~45 °C (23 °F~113 °F).

Oplysninger om sikker bortskaffelse af Brugte batterier:

Når apparatet er udtjent, skal du fjerne batteripakken, inden du bortskaffer apparatet. Bortskaf ikke batterier sammen med husholdningsaffaldet. Smid heller ikke batteriet væk sammen med maskinen. Fjern den brugte batteripakke fra apparatet, og indlever den på din lokale genbrugsstation. Hvis du er i tvivl, kan du kontakte din kommune. Batterier kan påvirke grundvandet, hvis de bortskaffes forkert, og det kan være farligt for økosystemet. Smid ikke udtjente batterier ud som usorteret husholdningsaffald.

TRANSPORT

Transport af plæneklipperen

1. Sluk plæneklipperen og fjern batteriet.
2. Hvis du skal flytte plæneklipperen, kan du bruge den selvkørende funktion, uden at kniven roterer.

VEDLIGEHOLDELSE

! **ADVARSEL!** Stop plæneklipperen, og tag batteriet ud, før græsopsamlingsposen tages af.

BEMÆRK: For at sikre en lang og pålidelig levetid, skal følgende vedligeholdelsesprocedurer udføres regelmæssigt. Kontroller for åbenlyse fejl, så som en løs, løsgjort eller beskadiget kniv, løse dele, og slidte eller beskadigede dele. Kontroller, at alle dæksler og afskærmninger er ubeskadiget og sider rigtigt på plads. Sørg for at udføre al nødvendig vedligeholdelse eller reparationer, før plæneklipperen anvendes. Hvis plæneklipperen skulle svigte trods en regelmæssig vedligeholdelse, bør du henvende dig til vor kundetjeneste for at få nærmere råd og vejledning.

SLIBNING AF KNIV

FOR AT OPNÅ DEN BEDST MULIGE YDELSE BØR KNIVEN ALTID HOLDES SKARP. EN SLØV KNIV KAN IKKE KLIPPE ELLER BOKLIPPE GRÆSSET ORDENTLIGT.

BÆR ØJENVÆRN OG SKÆREFASTE HANDSKER, MENS DU AFMONTERER, SLIBER OG MONTERER KNIVEN.

BEMÆRK: Slib eller udskift kniven for hver 50 driftstimer. Sand kan hurtigere gøre kniven sløv. Hvis din plæne er sået på sandholdig jord, kan det være nødvendigt at slibe eller udskifte kniven oftere.

UDSKIFT OMGÅENDE EN BØJET ELLER

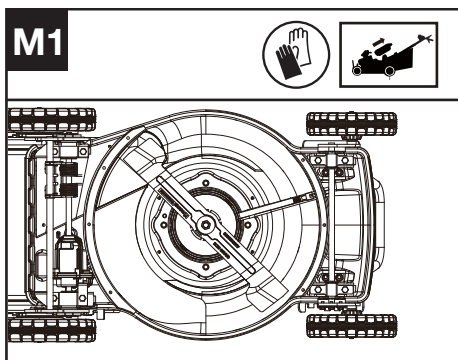
BESKADIGET KNIV.

SLIBNING AF KNIV

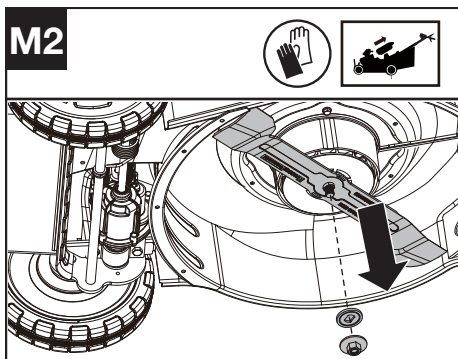
1. Blokér kniven med et stykke træ, så den ikke kan rotere.
2. Brug en topnøgle til at afmontere møtrikken på kniven, så du kan afmontere den. (Se afsnittet Afmontering af kniv).
3. Spænd kniven fast i en skruestik eller lignende, så den ikke kan flytte sig under slibningen.
4. Slib æggene på begge sider af kniven. Sørg for at fjerne den samme mængde materiale fra begge sider, så kniven fortsat er i balance.
5. Kontrollér knivens balance. (Se afsnittet Balancering af kniv).
6. Montér kniven i den omvendte rækkefølge.
7. Sørg for at spænde møtrikken til de krævede moment (25 Nm).

BEMÆRK:

1. Kontrollér, at plæneklipperen er slukket, og tag batteriet ud.
2. Vend plæneklipperen om på siden (Se Fig. M1).



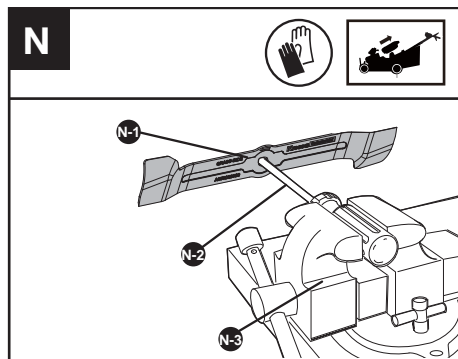
AFMONTERING AF KNIV (SE FIG. M2)



AFVEJNING AF KNIVEN (SE FIG. N)

Kontroller afvejningen på kniven ved at placere midterhullet på kniven (N-1) over skruetrækkerskaft (N-2), spændt vandret op i en skruestik (N-3). Den

ende, der drejer nedad, files. Kniven er ordentligt afvejet, når ingen af enderne drejer nedad.



UDSKIFTNING AF KNIV

-Vi anbefaler, at kniven udskiftes med en kniv, som passer til de aktuelle arbejdsbetingelser, da det giver den bedste brugeroplevelse.

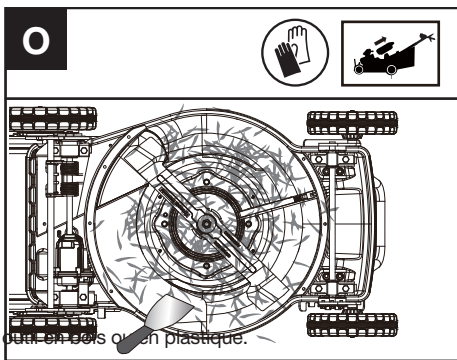
KNIV	FUNKTION
High lift-kniv	Anbefales til opsamling
Gator-kniv	Anbefales til bioklip

RENGØRING

1. Stop plæneklipperen, og tag batteriet ud.
2. Brug ikke aggressive rengøringsmidler eller opløsningsmidler. Rengør maskinen efter brug med en fugtig klud d yppet i et neutralt rengøringsmiddel.
3. Hold stikdåsen fri for fremmedlegemer, og rengør den med en blød, tør børste eller klud.
4. Sprøjt ikke vand ind i motoren og de elektriske komponenter.
5. Brug ikke en højtryksrenser til rengøring af din maskine.

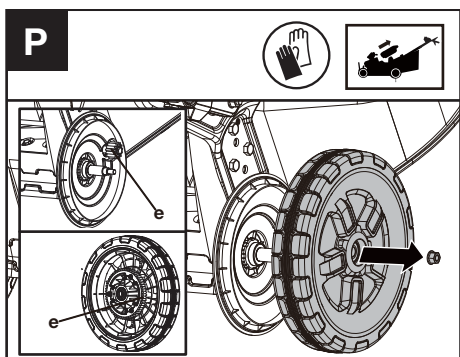
Rengøring af skjold og knivområdet. (Se Fig. O)

Fjern græsafklip og snavs fra skjold og knivområdet. Hvis græsafklip har hobet sig op i knivområdet, skal det fjernes med et træ- eller plastikredskab.



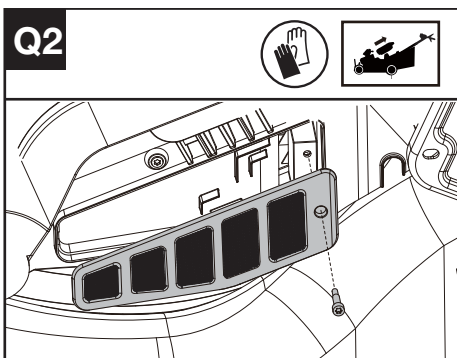
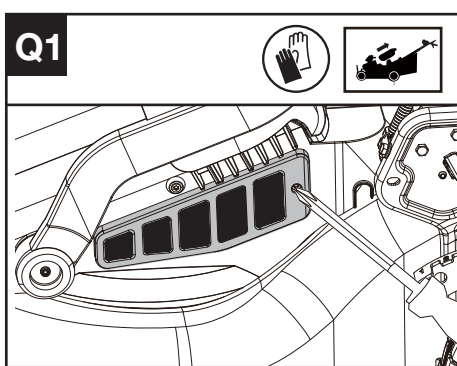
Rengøring af hjulene. (Se Fig. P)

- Stop plæneklipperen, og tag batteriet ud.
- Rengør hjulene for hver 50 timer eller oftere, hvis det kræves.
- Afmonter baghjulene, og fjern græsafklip og snavs fra tandhjulområdet.
- Det anbefales at påføre en lille mængde anti-fastbrændingsmiddel på tandhjulområdet efter rengøring.



Rengøring af luftfilteret (Se Fig. Q1, Q2)

1. Rengør området omkring luftfilteret. Brug en fugtig klud eller en blød børste.
2. Skru luftfilteret af og fjern det.
3. Vask luftfilteret med rindende vand for at fjerne snavset.
4. Lad luftfilteret lufttørre. Derefter monteres det i huset ved at skru skruen fast.



OPMAGASINERING

1. Stop plæneklipperen, og tag batteriet ud.
2. Rengør maskinen grundigt udvendigt med en blød børste og en klud. Brug ikke opløsningsmidler eller poleremidler. Fjern alt græsafklip og snavs fra især ventilationsåbningerne, bioklippladen, knivområdet og hjulene.
3. Opbevar maskinen på et tørt sted, hvor den er utilgængelig for børn og andre uvedkommende personer. Stil ikke andre genstande oven på maskinen.
4. Fold håndtagene sammen for at gøre maskinen nemmere at opbevare.
5. Opbevar kun batteriet inden for et temperaturområde mellem 5 °C (41 °F) og 25 °C (77 °F). Efterlad eksempelvis ikke batteripakken i en bil om sommeren.
6. Hvis maskinen har været brugt i regnvej, skal maskinen og batteriet tørres helt inden det oplades eller stilles til opbevaring. Tag batteripakken ud, og sæt den i igen, hvis maskinen ikke kan tændes.

FEJLFINDING

Følgende skema viser problemer og mulige løsninger, hvis din maskine ikke fungerer som forventet.



ADVARSEL: Sluk for maskinen, og fjern batteripakken før evt. fejlfinding.

PROBLEM	MULIG LØSNING
1. Plæneklipperen kører ikke, når betjeningsbøjlen er aktiveret.	A. Sørg for, at startknappen til kniven trykkes helt ned. B. Slip tilkoblingsbøjlen for at slukke for plæneklipperen. Tag batteriet ud, vend plæneklipperen om og se, om kniven kan rotere frit. Hvis den ikke er fri, skal den returneres til en autoriseret serviceværksted. Kniven skal kunne rotere frit. C. Er batteriet ladet helt op? Tilslut opladeren og vent på, at den grønne indikator tændes. D. For at starte maskinen skal du trykke på startknappen til kniven og samtidigt trække tilkoblingsbøjlen ind mod håndtaget.
2. Motoren stopper under slåning.	A. Slip tilkoblingsbøjlen for at slukke for plæneklipperen. Tag batteriet ud, vend plæneklipperen om og se, om den er blokeret af græsafflip. Fjern afflip fra knivområdet. Vend plæneklipperen igen, og kontroller, at kniven kan rotere frit. Hvis den ikke er fri, skal den returneres til en autoriseret serviceværksted. Kniven skal kunne rotere frit. B. Forøg klippehøjden på hjulene til den højeste position, og start plæneklipperen. C. Er batteriet ladet helt op? Tilslut opladeren og vent til at den grønne lampe lyser. D. Undgå at overbelaste plæneklipperen. Sæt farten ned, eller forøg klippehøjden. Eller gør begge dele.
DK 3. Plæneklipperen kører, men klipningen er utilfredsstillende, eller klipper ikke helt.	A. Er batteriet ladet helt op? Tilslut opladeren og vent til at den grønne lampe lyser. B. Slip tilkoblingsbøjlen for at slukke for plæneklipperen. Fjern batteriet. Vend plæneklipperen om, og kontrollér: Om kniven er skarp - hold kniven skarp. Om skjoldet eller udkastet er tilstoppet. C. Hjulhøjdejusteringen kan være indstillet for lavt i forhold til græssets tilstand. Forøg klippehøjden.
4. Plæneklipperen er for svær at skubbe.	A. Forøg klippehøjde for at reducere maskinens træk i græsset. Kontrollér, at alle hjul drejer frit.
5. Plæneklipperen støjer unormalt meget og vibrerer.	A. Slip tilkoblingsbøjlen for at slukke for plæneklipperen. Fjern batteriet. Vend plæneklipperen om på siden, og kontrollér, at kniven ikke er bøjet eller beskadiget. Hvis kniven er beskadiget, skal den udskiftes med en ny. Hvis undersiden af skjoldet er beskadiget, skal maskinen indleveres til reparation hos en autoriseret servicetekniker. B. Hvis der ikke er nogen synlig skade på kniven, og plæneklipperen stadig vibrerer: Slip tilkoblingsbøjlen for at slukke plæneklipperen. Tag derefter batteriet ud, og tag kniven af. Vend kniven 180 grader, og monter den igen. Hvis plæneklipperen stadig vibrerer, skal den indleveres til reparation hos en autoriseret servicetekniker.
6. Batteriopladerens LEDs er ikke tændt.	A. Kontrollér stikforbindelsen. B. Udskift oplader.
7. LED-lys på batterioplader skifter ikke til grøn.	A. Batteriet skal tjekkes. Tag til et autoriseret servicecenter.

8. Plæneklipperen samler ikke græsset op.	A. Bagudkastet er tilstoppet. Slip tilkoblingsbøjlen for at slukke for plæneklipperen. Fjern batteriet. Fjern græsafklip fra bagudkastet. B. For meget afklippet græs. Øg klippehøjden, så der klippes mindre af græsset. C. Opsamlingsposen er fuld. Tøm opsamlingsposen oftere.
9. Når jorden tildækkes ses det afklippet.	A. Der klippes for meget græs. Forøg klippehøjden på hjulene for at afkorte klippelængden. Klip ikke mere end 1/3 af den totale længde. B. Kontrollér kniv for skarphed. Hold altid kniven skarp. C. Reducér hastigheden, hvis græsset er højt eller meget kraftigt.
10. Lav eller aftaget kørselstid efter mange opladninger.	A. Kontakt et autoriseret servicecenter – der er muligvis brug for nyt batteri.
11. Advarselsindikatoren blinker.	A. Sluk for maskinen og fjern batteripakken, sæt derefter batteripakken i igen og tænd for maskinen. B. Kontakt serviceagenten.

TEKNISK DATA

Typebetegnelse: **KC720 KC720.X** (720-maskinbetegnelse, gældende for selvkørende plæneklipper med forstærket stålskjold)

	KC720 KC720.X **
Spænding	60V  Max***
Skjold	Forstærket stål -1.8 mm
Klippebredde	47 cm
Maks. fremdriftshastighed	6.4 km/h
Klippehøjde	20-80 mm
Klippehøjdeindstillinger	7
Græsopsamlingsposens kapacitet	70 L
Grad af beskyttelse	IPX4
Driftstid	70min@11Ah****
Maskinvægt (maskinen alene)	38 kg

** X = 1-999, A-Z, M1-M9 er kun til forskellige kunder, der er ingen sikkerhedsrelaterede ændringer mellem disse modeller.

*** Spændingen er målt uden arbejdsbelastning. Den indledende batterispænding når maksimalt op på 60 volt. Nominel spænding er 54 volt.

**** Driftstiden varierer afhængigt af brug og græsforholdene. Den valgte klippehastighed påvirker batteriets driftstid. Den lave klippehastighed giver længere driftstid.

ANBEFALEDE BATTERIER OG OPLADERE

Batteri	Kapacitet	Oplader	Amperage
KAC810	11 Ah	KAC840	30 A

Vi anbefaler, at du køber dit tilbehør hos den samme forhandler, som solgte dig værktøjet. Yderligere oplysninger kan ses på tilbehørets emballage. Din forhandler kan hjælpe dig og give råd.

TEKNISKE DATA FOR BATTERIPAKKEN (VALGFRI)

Frekvensbånd for Bluetooth	2400-2483.5 MHz
Maksimalt transmitteret effekt for Bluetooth	8 dBm

STØJINFORMATION

A-vægtet lydtryksniveau	$L_{pA} = 83.2$ dB(A)
K_{pA}	3 dB(A)
A-vægtet lydeffektniveau	$L_{wA} = 95.84$ dB(A)
K_{wA}	0.65 dB(A)

Bær høreværn.



VIBRATIONSINFORMATION

Typical weighted vibration
Typisk vægtet vibration $a_1 < 2.5$ m/s²

Usikkerhed $K = 1.5$ m/s²

⚠ ADVARSEL: Vibrationsværdien under den faktiske brug af maskinværktøjet kan afvige fra den opgivne værdi afhængigt af måderne, værktøjet benyttes på. Se følgende eksempler på, hvad vibrationerne kan afhænge af:

Hvordan værktøjet bruges og materialerne, der skæres eller bores i.

Værktøjets stand og vedligeholdelse.

Anvendelse af korrekt tilbehør og kontrol med, at det er skarpt og i en i det hele taget god tilstand.

Hvor kraftigt, der holdes fast i håndtaget og, om der benyttes antivibrationsudstyr.

Om værktøjet anvendes i henhold til dets konstruktion og nærværende anvisninger.

Værktøjet kan medføre et hånd/arm-vibrationssyndrom, hvis det ikke bruges på rigtig måde

⚠ ADVARSEL: En vurdering af udsættelsesgraden under det aktuelle brug skal omfatte alle dele af arbejdscyklussen, hherunder antallet af gange værktøjet slås til og fra, og tomgangsdriften uden for selve arbejdsopgaven. Dette kan afgørende reducere udsættelsesniveauet i den samlede arbejdsperiode. Sådan kan du minimere risikoen for udsættelse for vibrationer:

Brug ALTID skarpe mejsler, bor og blade.

Vedligehold værktøjet i overensstemmelse med disse instruktioner og hold det korrekt smurt (hvor det er nødvendigt).

Hvis værktøjet bruges ofte, bør du anskaffe

antivibrationsudstyr.

Planlæg dit arbejde, så du kan fordele arbejde med kraftige vibrationer over flere dage.

MILJØBESKYTTELSE



Affald af elektriske produkter må ikke bortskaffes sammen med husholdningsaffald.

Indlever så vidt muligt produktet til genbrug. Kontakt de lokale myndigheder eller forhandleren, hvis du er i tvivl.

KONFORMITETSERKLÆRING

Vi,

Positec Germany GmbH

Postfach 680194, 50704 Cologne, Germany

På vegne af Positec erklæres at produktet

Beskrivelse **Batteridrevet plæneklipper**

Typebetegnelse **KC720 KC720.X**

(720-maskinbetegnelse, gældende for selvkørende plæneklipper med forstærket stålskjold)

Funktion **græsklipning**

Er i overensstemmelse med følgende direktiver:

2006/42/EC, 2014/30/EU, 2011/65/EU & (EU) 2015/863, 2000/14/EC ændret ved 2005/88/EC

2000/14/EC ændret ved 2005/88/EC:

- Konformitetstestprocedure pr **Anneks VI**
- Målt niveau for lydeffekt **95.84 dB (A)**
- Deklareret garanteret niveau for lydeffekt **96 dB (A)**

Afprøvningsorgan involveret

Navn: TÜV Rheinland LGA Products GmbH
(Afprøvningsorgan 0197)

Adresse: Tillystraße 2-90431 Nürnberg

Standarder i overensstemmelse med

EN 62841-1, EN IEC 62841-4-3, EN ISO 3744, EN IEC 55014-1, EN IEC 55014-2, EN IEC 63000

Personen, autoriseret til at udarbejde den tekniske fil,

Navn **Marcel Filz**

Adresse **Positec Germany GmbH**

Postfach **680194, 50704 Cologne, Germany**



2024/02/05

Allen Ding

Vicechef; Ingeniør, Test & Certificering

Positec Technology (China) Co., Ltd

18, Dongwang Road, Suzhou Industrial Park, Jiangsu 215123, P. R. China

SISÄLLYSLUETTELO

Johdanto.....	281
Komponenttiluettelo.....	283
Tuoteturvallisuus.....	284
Asennus & operaatio.....	287
Kuljetus.....	292
Huoltotoimenpiteet.....	292
Puhdistus.....	293
Säilytys.....	294
Vianetsintä.....	295
Tekniset tiedot.....	296
Ympäristönsuojelu.....	297
Vaativuuden mukaisuusvakuutus.....	297

FIN

JOHDANTO

Hyvä asiakas,

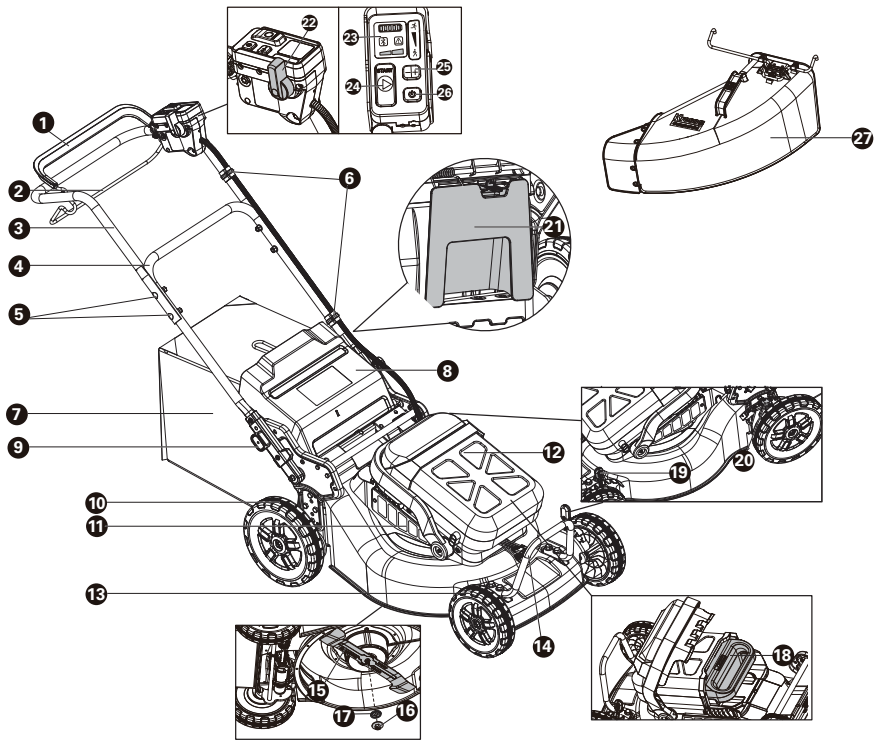
Kiitos, että olet ostanut tämän Kress Commercial-tuotteen. Olemme omistautuneet kehittämään korkealaatuisia tuotteita, jotka täyttävät kaupallisen maisemoinnin vaatimukset.

Kress-tuotemerkki on synonyymi korkealaatuiselle palvelulle. Jos sinulla on kysyttävää tai huolenaiheita tuotteestasi vuosien kuluessa, ota yhteyttä kauppiaseesi tai asiakaspalvelutiimiimme saadaksesi apua.

Olemme vakuuttuneita siitä, että nautit työskentelystä Kress-tuotteesi kanssa tulevien vuosien ajan.

KÄYTTÖTARKOITUS

Tämä tuote on tarkoitettu kaupalliseen ruohonleikkuuseen.



KOMPONENTTILUETTELO

1. TURVAVIPU (TERÄN KÄYTTÖ)
2. ITSEVETÄVYYDEN KÄYTTÖVIPU
3. YLÄKAHVA
4. ALAKAHVA
5. KAHVAKIINNIKKEET
6. KAAPELIKIINNIKE
7. RUOHON KERÄYSPUSSI
8. TURVALÄPPÄ
9. KORKEUDEN SÄÄTÖNUPPI
10. TAKAPYÖRÄ
11. ILMANSUODATIN
12. AKKUKOTELON KANSI
13. ETUPYÖRÄ
14. MOOTTORISUOJA
15. TERÄ
16. TERÄN PULTTI
17. VÄLIKAPPALE
18. AKUSTO*
19. LEIKKUUKORKEUDEN SÄÄTÖVIPU EDESSÄ
20. LEIKKUUKORKEUDEN SÄÄTÖVIPU TAKANA
21. BIOTULPPA
22. NOPEUDENSÄÄTÖ
23. LED-VALOT
24. LEIKKUUTERÄN KÄYNNISTYSPAINIKE
25. LEIKKUUNOPEUDEN SÄÄTÖ
26. VIRTAKYTKIN
27. SIVUTYHJENNYSKOURU*

* Kuvissa esitetyt ja selostetut lisävarusteet eivät aina kuulu toimitukseen.

FIN

TURVALLISUUSOHJEET TUOTETURVALLISUUS YLEISET SÄHKÖTYÖKALUJEN TURVALLISUUTEEN LIITTYVÄT VAROITUKSET

VAROITUS Lue kaikki tämän sähkötyökalun mukana toimitetut varoitukset, ohjeet, kuvat ja tekniset tiedot. Alla mainittujen ohjeiden noudattamisen laiminlyönti saattaa aiheuttaa sähköiskun, tulipalon ja/tai vakavan loukkaantumisen.

Säilytä kaikki turvallisuus- ja muut ohjeet tulevaisuutta varten.

Turvallisuusohjeissa käytetty käsite "sähkötyökalu" käsittää verkkokäyttöisiä sähkötyökaluja (verkkojohdolla) ja akkukäyttöisiä sähkötyökaluja (ilman verkkojohdtoa).

1) TYÖPAIKAN TURVALLISUUS

- a) **Pidä työskentelyalue puhtaana ja hyvin valaistuna.** Työpaikan epäjärjestys tai valaisemattomat työalueet voivat johtaa tapaturmiin.
- b) **Älä työskentele sähkötyökalulla räjähdyksalttiissa ympäristössä, jossa on palavaa nestettä, kaasua tai pölyä.** Sähkötyökalu muodostaa kipinöitä, jotka saattavat sytyttää pölyn tai höyryt.
- c) **Pidä lapset ja sivulliset loitolla sähkötyökalua käyttäessäsi.** Voit menettää laitteesi hallinnan, huomiosi suuntautuessa muualle.

2) SÄHKÖTURVALLISUUS

- a) **Sähkötyökalun pistotulpan tulee sopia pistorasiaan. Pistotulppaa ei saa muuttaa millään tavalla. Älä käytä mitään pistorasia-adaptoreita maadoitettujen sähkötyökalujen kanssa.** Alkuperäisessä kunnossa olevat pistotulpat ja sopivat pistorasiat vähentävät sähköiskun vaaraa.
- b) **Vältä koskettamasta maadoitettuja pintoja, kuten putkia, pattereita, liesiä tai jääkaappeja.** Sähköiskun vaara kasvaa, jos kehosi on maadoitettu.
- c) **Älä käytä laitetta sateessa tai märissä olosuhteissa.** Tämä voi lisätä sähköiskun vaaraa.
- d) **Älä käytä verkkojohtoa väärin. Älä käytä sitä sähkötyökalun kantamiseen, vetämiseen tai pistotulpan irrottamiseen pistorasiasta. Pidä johto loitolla kuumuudesta, öljystä, terävistä reunoista ja liikkuvista osista.** Vahingoittuneet tai sotkeutuneet johdot kasvattavat sähköiskun vaaraa.
- e) **Käyttäessäsi sähkötyökalua ulkona, käytä ainoastaan ulkokäyttöön soveltuvaa jatkojohtoa.** Ulkokäyttöön soveltuvan jatkojohtoon käyttö pienentää sähköiskun vaaraa.

- f) **Jos sähkötyökalun käyttö kosteassa ympäristössä ei ole vältettävissä, tulee käyttää maavuotokatkaisijaa.** Maavuotokatkaisijan käyttö vähentää sähköiskun vaaraa.

3) HENKILÖTURVALLISUUS

- a) **Ole valpas, kiinnitä huomiota työskentelyysi ja noudata tervettä järkeä sähkötyökalua käyttäessäsi. Älä käytä sähkötyökalua, jos olet väsynyt tai huumeiden, alkoholin tahi lääkkeiden vaikutuksen alaisena.** Hetken tarkkaamattomuus sähkötyökalua käytettäessä, saattaa johtaa vakavaan loukkaantumiseen.
 - b) **Käytä suojavarusteita. Käytä aina suojalaseja.** Henkilökohtaisen suojavarustuksen käyttö, kuten pölynaamarin, luistamattomien turvakengien, suojakypärän tai kuulonsuojaimien, riippuen sähkötyökalun lajista ja käyttötavasta, vähentää loukkaantumisriskiä.
 - c) **Vältä tahatonta käynnistämistä. Varmista, että sähkötyökalu on poiskytkettyä, ennen kuin liität sen sähköverkkoon ja/tai liität akun, otat sen käteen tai kannat sitä.** Jos kannat sähkötyökalua sormi käynnistyskytkimellä tai kytket sähkötyökalun pistotulpan pistorasiaan, käynnistyskytkimen ollessa käyntiasennossa, altistat itsesi onnettomuuksille.
 - d) **Poista kaikki säätötyökalut ja ruuvitaltat, ennen kuin käynnistät sähkötyökalun.** Työkalu tai avain, joka sijaitsee laitteen pyöriässä osassa, saattaa johtaa loukkaantumiseen.
 - e) **Älä yliarvioi itseäsi. Huolehdi aina tukevasta seisomaasennosta ja tasapainosta.** Täten voit paremmin hallita sähkötyökalua odottamattomissa tilanteissa.
 - f) **Käytä tarkoitukseen soveltuvia vaatteita. Älä käytä löysiä työvaatteita tai koruja. Pidä hiukset ja vaatteet poissa liikkuvien osien ulottuvilta.** Väljät vaatteet, korut ja pitkät hiukset voivat takertua liikkuviin osiin.
 - g) **Jos pölynimu- ja keräilylaitteita voidaan asentaa, tulee sinun tarkistaa, että ne on liitetty ja että ne käytetään oikealla tavalla.** Pölynimulaitteiston käyttö vähentää pölyn aiheuttamia vaaroja.
 - h) **Työskentele keskittyneesti ja noudata aina turvallisuusmääräyksiä.** etkellinenkin huolimattomuus voi aiheuttaa vakavia vammoja.
- 4) **SÄHKÖTYÖKALUJEN KÄYTTÖ JA HOITO**
 - a) **Älä ylikuormita laitetta. Käytä kyseiseen työhön tarkoitettua sähkötyökalua.** Sopivaa sähkötyökalua käyttäen työskentelet paremmin ja varmemmin tehoalueella, jolle sähkötyökalu on tarkoitettu.
 - b) **Älä käytä sähkötyökalua, jota ei voida käynnistää ja pysäyttää käynnistyskytkimestä.** Sähkötyökalu, jota ei enää voida käynnistää ja pysäyttää käynnistyskytkimellä, on vaarallinen ja se täytyy korjata.
 - c) **Irrota pistotulppa pistorasiasta ja/tai irrota akku (jos irrotettava) sähkötyökalusta, ennen kuin suoritat säätöjä, vaihdat tarvikkeita**

- tai viet sähkötyökalan varastoon.** Nämä turvatoimenpiteet pienentävät sähkötyökalan tahattoman käynnistysriskin.
- d) Säilytä sähkötyökäluet poissa lasten ulottuvilta, kun niitä ei käytetä. Älä anna sellaisten henkilöiden käyttää sähkötyökäluja, jotka eivät tunne sitä tai jotka eivät ole lukeneet tätä käyttöohjetta.** Sähkötyökäluet ovat vaarallisia, jos niitä käyttävät kokemattomat henkilöt.
- e) Pidä sähkötyökäluet ja tarvikkeet hyvässä kunnossa.** Tarkista, että liikkuvat osat toimivat moitteettomasti, eivätkä ole puristuksessa sekä, että siinä ei ole murtuneita tai vahingoittuneita osia, jotka saattaisivat vaikuttaa haitallisesti sähkötyökäluun toimintaan. Anna korjauttaa mahdolliset viat ennen käyttöönottoa. Monen tapaturman syyt löytyvät huonosti huolletuista laitteista.
- f) Pidä leikkausterät terävinä ja puhtaina.** Huolellisesti hoidetut leikkaustyökäluet, joiden leikkausreunat ovat teräviä, eivät tartu helposti kiinni ja niitä on helpompi hallita.
- g) Käytä sähkötyökäluja, tarvikkeita, vaihtotyökäluja jne. näiden ohjeiden mukaisesti. Ota tällöin huomioon työolosuhteet ja suoritettava toimenpide.** Sähkötyökäluun käyttö muuhun kuin sille määrättyyn käyttöön, saattaa johtaa vaarallisiin tilanteisiin.
- h) Pidä kahvat ja kädensijat kuivina ja puhtaina (öljyttöminä ja rasvattomina).** Jos kahvat ja kädensijat ovat liukkaita, et pysty yllättävissä tilanteissa ohjaamaan ja hallitsemaan työkalua turvallisesti.
- 5) AKKUKÄYTTÖISTEN SÄHKÖTYÖKALUJEN KÄYTTÖ JA HOITO**
- a) Lataa akku vain valmistajan määräämässä latauslaitteessa.** Latauslaite, joka soveltuu määrättyntyyppiselle akulle, saattaa muodostaa tulipalovaaran erilaista akkua ladattaessa.
- b) Käytä sähkötyökäluissa ainoastaan kyseiseen sähkötyökäluun tarkoitettua akkua.** Jonkun muun akun käyttö saattaa johtaa loukkaantumiseen ja tulipaloon.
- c) Pidä irrallista akkua loitolla metalliesineistä, kuten paperinliittimistä, kolikoista, avaimista, nautoista, ruuveista tai muista pienistä metalliesineistä, jotka voivat oikosulkea akun koskettimet.** Akkukoskettimien välinen oikosulku saattaa aiheuttaa palovammoja tai johtaa tulipaloon.
- d) Väärästä käytöstä johtuen saattaa akusta vuotaa nestettä, jota ei tule koskettaa. Jos nestettä vahingossa joutuu iholle, huuhtelee kosketuskohta vedellä. Jos nestettä pääsee silmiin, tarvitaan tämän lisäksi lääkärin apua.** Akusta vuotava neste saattaa aiheuttaa ärsytystä ja palovammoja.
- e) Älä käytä akkua tai työkalua, joka on vioittunut tai johon on tehty muutoksia.** Jos akut ovat vioittuneet tai niihin on tehty muutoksia, ne voivat toimia ennalta arvaamattomasti ja aiheuttaa tulipalon, räjähdysriskin tai loukkaantumisvaaran.

- f) Älä altista akkua tai työkalua tulelle tai äärimmäsille lämpötiloille.** Tullelle tai yli 130°C asteen lämpötilalle altistaminen saattaa aiheuttaa räjähdysriskin.
- g) Noudata latausohjeita ja lataa akku tai työkalu ohjeenmukaisesti lämpötila-alueen rajoissa.** Lataaminen virheellisesti tai ohjeiden vastaisesti lämpötilassa saattaa vaurioittaa akkua ja lisätä palovaaraa.
- 6) HUOLTO**
- a) Anna koulutettujen ammattihenkilöiden korjata sähkötyökäluja ja hyväksy korjauksiin vain alkuperäisiä varaosia.** Täten varmistat, että sähkötyökälu säilyy turvallisena.
- b) Älä missään tapauksessa yritä itse korjata vaurioittuneita akkua.** Akkua saa korjata vain valmistaja tai valtuutettu huoltopiste.

RUOHONLEIKKURIN TURVALLISUUSVAROITUKSET

- a) Älä käytä ruohonleikkuria huonoissa sääolosuhteissa, etenkin ukonilmalla.** Tämä vähentää riskiä joutua salamaniskun kohteeksi.
- b) Tarkasta alue, jolla ruohonleikkuria aiotaan käyttää, huolellisesti villieläinten varalta.** Ruohonleikkuri voi vahingoittaa villieläimiä käytön aikana.
- c) Tarkasta alue, jolla ruohonleikkuria aiotaan käyttää, huolellisesti ja poista kaikki kivet, tikut, johdot, luut ja muut vieraat esineet.** Ruohonleikkurin teristä sinkoutuvat esineet voivat aiheuttaa henkilövahinkoja.
- d) Ennen ruohonleikkurin käyttöä on aina tarkastettava silmämääräisesti, etteivät terä ja sen kokoonpano ole kuluneet tai vaurioituneet.** Kuluneet tai vaurioituneet osat lisäävät loukkaantumisriskiä.
- e) Tarkista ruohonkerääjä säännöllisesti kulumisen tai heikentymisen varalta.** Kulunut tai vaurioitunut ruohonkerääjä voi lisätä henkilövahinkoriskiä.
- f) Pidä suojukset paikoillaan.** Suojusten on oltava toimintakuntoisia ja asianmukaisesti kiinnitettävä. Löysä, vahingoittunut tai virheellisesti toimiva suojuus voi aiheuttaa henkilövahinkoja.
- g) Huolehdi, että kaikki jäähdytysilman tuloaukot ovat puhtaina roskista.** Tukkeutuneet ilman tuloaukot ja roskat voivat aiheuttaa ylikuumenemisen tai tulipalovaaraan.
- h) Käytä ruohoa leikatessasi aina liukastumista estäviä suojajalkineita. Älä käytä ruohonleikkuria paljain jaloin tai avoimissa sandaaleissa.** Tämä vähentää jalkojen loukkaantumismahdollisuutta kosketuksesta liikkuvaan terään.
- i) Käytä ruohoa leikatessa aina pitkiä housuja.** Paljas iho lisää todennäköisyyttä loukkaantumista terästä sinkoutuneista esineistä.
- j) Älä leikkaa ruohonleikkurilla märkää ruohoa. Kävele, älä koskaan juokse.** Tämä vähentää

liukastumis- ja kaatumisriskejä, jotka voivat aiheuttaa henkilövahinkoja.

- k) **Älä käytä ruohonleikkuria liian jyrkissä rinteissä.** Tämä vähentää hallinnan menettämis-, liukastumis- ja kaatumisriskejä, jotka voivat aiheuttaa henkilövahinkoja.
- l) **Kun työskentelet rinteessä, varmista aina, että jalkasi ovat tukevasti maassa. Työskentele aina poikittain rinteeseen nähden, älä koskaan ylös- tai alaspäin ja ole erittäin varovainen vaihtaessasi suuntaa.** Tämä vähentää hallinnan menettämis-, liukastumis- ja kaatumisriskejä, jotka voivat aiheuttaa henkilövahinkoja.
- m) **Ole erittäin varovainen, kun käänät ruohonleikkuria tai vedät sitä itseäsi kohti; Huomioi aina ympäristösi.** Tämä vähentää kompastumisriskejä käytön aikana.
- n) **Älä koske teriin ja muihin vaarallisiin liikkuviin osiin, kun ne liikkuvat.** Tämä vähentää liikkuvien osien aiheuttamaa loukkaantumisriskejä.
- o) **Kun poistat juuttunutta materiaalia tai puhdistat ruohonleikkuria, varmista, että kaikki virtakytkimet ovat pois päältä -asennossa ja akku on irrotettu.** Ruohonleikkurin odottamaton käyttö voi aiheuttaa vakavia henkilövahinkoja.

AKUN TURVAOHJEET

- a) **Älä pura, avaa tai revi nappiparistoa tai akkua.**
- b) **Älä aiheuta akkuun oikosulkuja. Älä säilytä akkuja sattumanvaraisesti laatikossa tai kaapissa, jossa ne voivat joutua oikosulkuun toistensa tai muiden metalliesineiden kanssa.** Kun akku ei ole käytössä, pidä se kaukana muista metalliesineistä, kuten paperiliittimistä, kolikoista, avaimista, nauloista, ruuveista tai muista pienistä metalliesineistä, jotka voivat muodostaa yhteyden päätteiden välille. Akkujen päätteiden yhteiset oikosulut voivat aiheuttaa palovammoja tai tulipalon.
- c) **Älä altista akkua kuumuudelle tai tullelle. Älä säilytä sitä suorassa auringonvalossa.**
- d) **Älä kohdista akkuun mekaanisia iskuja**
- e) **Jos paristo vuotaa, älä päästä nestettä kosketuksiin ihon tai silmien kanssa. Jos näin käy, huuhtelee kosketusalue runsaalla vedellä ja hakeudu lääkärin hoitoon**
- f) **Pidä akku puhtaana ja kuivana.**
- g) **Pyyhi akun päätteet puhtaalla, kuivalla liinalla, jos ne ovat likaantuneet.**
- h) **Akku on ladattava ennen käyttöä. Käytä aina oikeaa laturia ja oikeita latausmenetelmiä.**
- i) **Älä jätä akkua ladattavaksi pitkään, jos sitä ei käytetä.**
- j) **Pitkän varastointiajan jälkeen voi olla välttämätöntä ladata ja purkaa akku useita kertoja maksimaalisen suorituskyvyn saavuttamiseksi.**
- k) **Lataa vain Kress in määritlemällä laturilla. Älä käytä mitään muuta kuin laitteen toimitukseen kuuluvaa laturia.** Laturi, joka sopii yhteen akkuun voi aiheuttaa tulipalon vaaran, jos sitä käytetään



toisenlaisessa akussa.

- l) **Älä käytä mitään akkua, jota ei ole suunniteltu käytettäväksi kyseisessä laitteistossa.**
- m) **Pidä akku lasten ulottumattomissa.**
- n) **Säilytä tuotteen alkuperäiset asiakirjat tulevaa käyttöä varten.**
- o) **Poista akku laitteesta, kun laitetta ei käytetä.**
- p) **Hävitätä käytetty akku oikein.**
- q) **Älä sekoita laitteeseen eri valmistuksen, kapasiteetin, koon tai tyyppin paristoja.**
- r) **Pidä akku poissa mikroaaltojen ja korkean paineen vaikutusalueelta.**
- s) **Advarsel! Brug ikke ikke-genopladelige batterier.**

LANGATTOMAN TUOTTEEN KÄYTTÖOPPAAN VAATIMUKSET

- a) Tämän laitteen käyttö edellyttää seuraavia kahta ehtoa:
- (1) Tämä laite ei saa aiheuttaa haitallisia häiriöitä, ja
- (2) tämän laitteen on hyväksyttävä kaikki vastaanotetut häiriöt, mukaan lukien häiriöt, jotka voivat aiheuttaa ei-toivottua toimintaa.
- b) Varoitus: Muutokset tähän laitteeseen, joita vaatimustenmukaisuudesta vastaava taho ei ole nimenomaisesti hyväksynyt, voivat mitätöidä käyttäjän oikeuden käyttää laitetta.
- c) HUOMAA: Tämä laite tuottaa, käyttää ja voi säteillä radiotaajuusenergiaa, ja jos sitä ei asenneta ja käytetä ohjeiden mukaisesti, se voi aiheuttaa haitallisia häiriöitä radioviestintään. Ei kuitenkaan ole mitään takeita siitä, ettei häiriöitä esiinny. Jos tämä laite aiheuttaa haitallisia häiriöitä radio- tai televisiovastaanotossa, mikä voidaan todeta kytkemällä laite pois päältä ja päälle, käyttäjää kehoitetaan yrittämään korjata häiriöt yhdellä tai useammalla seuraavista toimenpiteistä:
- Suuntaa vastaanottoantenni uudelleen tai siirrä se muualle.
 - Lisää laitteen ja vastaanottimen välistä etäisyyttä.
 - Kytke laite pistorasiaan, jonka virtapiiri on eri kuin se, johon vastaanotin on kytketty.
 - Kysy apua jälleenmyyjältä tai kokeneelta radio-/tv-tekniikolta.

SYMBOLIT

	Loukkaantumisriskin vähentämiseksi käyttäjän on luettava käyttöohjeet.
	VAROITUS

	VAROITUS - Varo sinkoutuvia esineitä – pidä sivulliset poissa
	VAROITUS – Pidä kädet ja jalat poissa terien läheisyydestä
	VAROITUS – Irrota akku ennen huoltotoimenpiteitä
	Terät liikkuvat hetken senkin jälkeen, kun kytkin on kytketty pois päältä. Odota, kunnes laitteen kaikki osat ovat täysin pysähtyneet ennen kuin kosket niihin
	Käytä suojakäsineitä
	Irrota akku pistorasiasta ennen säätöä, huoltoa tai käsittelyä
	Akkujen sisältö voi joutua veden kiertoon, jos ne hävitetään virheellisesti. Älä hävitä akkuja lajittelemattomana kotitalousjätteenä.
	Älä hävitä tulella
	Korkea nopeus
	Alhainen nopeus
 Li-Ion	Litiumioniakku Tämä tuote on merkitty symbolilla, joka liittyy kaikkien akkujen ja akkujen "erilliseen keräämiseen". Sitten se kierrätetään tai poistetaan ympäristövaikutusten vähentämiseksi. Akku saattaa olla haitallista ympäristölle ja ihmisten terveydelle, koska se sisältää haitallisia aineita.



Romutettuja sähkölaitteita ei saa heittää pois talousjätteen mukana. Toimita ne kierrätyspisteeseen. Lisätietoja kierrätyksestä saa paikallisilta viranomaisilta tai jälleenmyyjältä.

ASENNUS & OPERAATIO



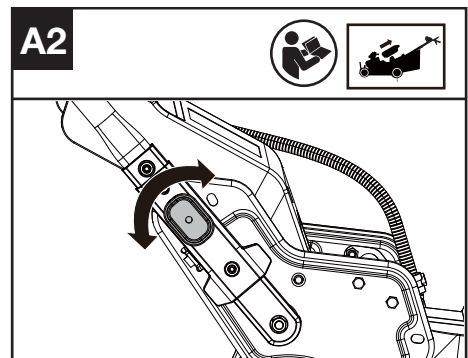
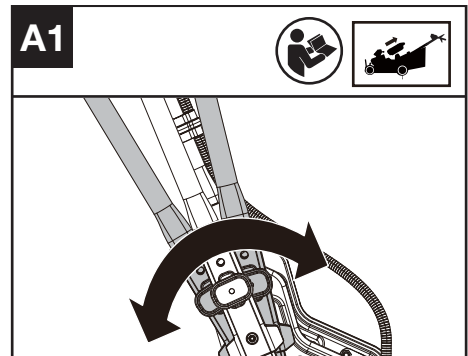
HUOMAUTUS: Lue ohjekirja huolellisesti ennen työkalun käyttöä.



ENNEN KÄYTTÖÄ:

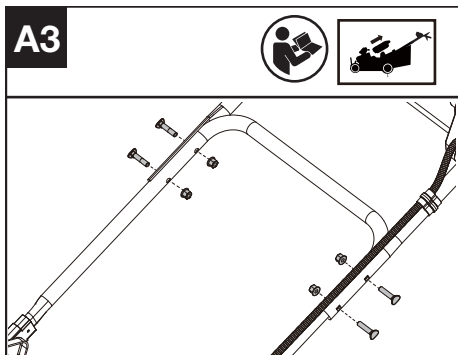
Kahvan korkeuden säätäminen ja alakahvojen kokoaminen. (katso kuvat A1, A2)

Valittavissa on kolme korkeustasoa. Valitse sopiva korkeus ja kierrä korkeuden säätönuppia.

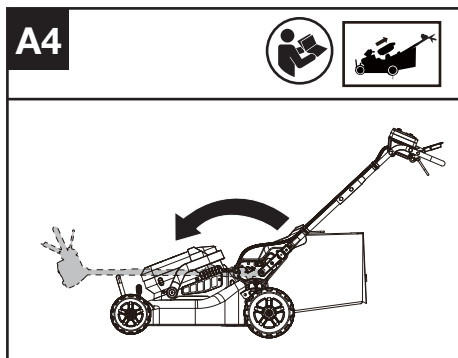


FIN

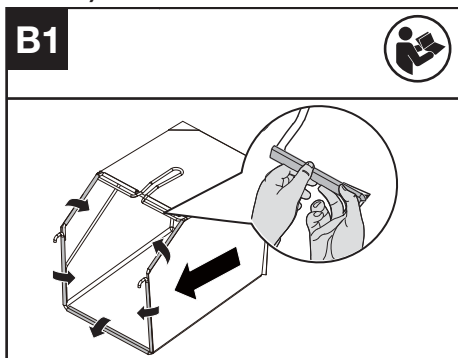
Yläkahvan kokoaminen. (katso kuva A3)



HUOMAUTUS: Kahvat voidaan taittaa kuljetusta tai kauden ulkopuolista varastointia varten. (katso kuva A4)



Ruohon keräyspussin kokoaminen (katso kuva B1)

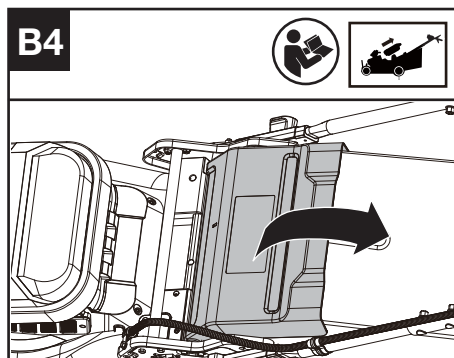
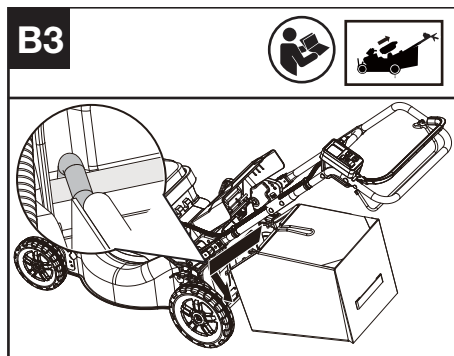
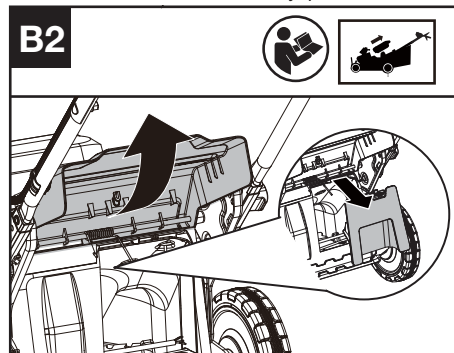


Ruohon keräyspussin asettaminen ruohonleikkuriin (katso kuvat B2,B3,B4)

HUOMAUTUS: Paina ruohon keräyspussia hieman varmistaaksesi, että se on asennettu kunnolla.

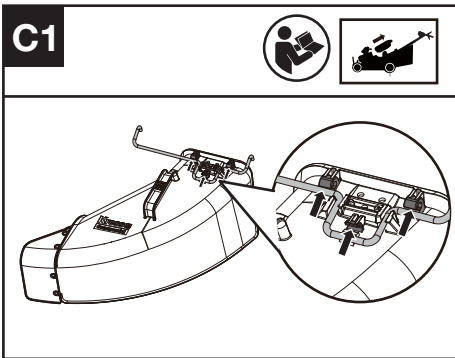
HUOMAUTUS: Irrota biotulppa ruohonleikkurista

ennen kuin asennat ruohon keräyspussin.



Sivutyhjennyskourun asettaminen ruohonleikkuriin (katso kuvat C1, C2)

HUOMAA: Ota multaastulppa pois ruohonleikkurista ja poista ruohon keräyspussi ennen sivutyhjennyskourun asettamista.



leikkuuterän käynnistyspainiketta tai leikkausnopeudensäädintä. Jos virtakytkin, leikkuuterän käynnistyspainike tai leikkuunopeudensäädin jumittuu eikä pääse takaisin alkuperäiseen asentoonsa, lopeta leikkurin käyttö ja ota yhteys huoltohenkilöstöön.

- Yritä vetää ja vapauttaa turvavipua tai itseliikkuvuuden käyttövipua. Jos turvavipu tai itseliikkuvuuden käyttövipu jää jumiin eikä pääse takaisin alkuperäiseen asentoonsa, lopeta leikkurin käyttö ja ota yhteys huoltopalveluun.
- Pyöritä nopeudensäädintä. Jos nopeudensäädin jumittuu, lopeta ruohonleikkurin käyttö ja ota yhteys huoltohenkilöstöön.

Näytön tarkistaminen (katso kuva E)

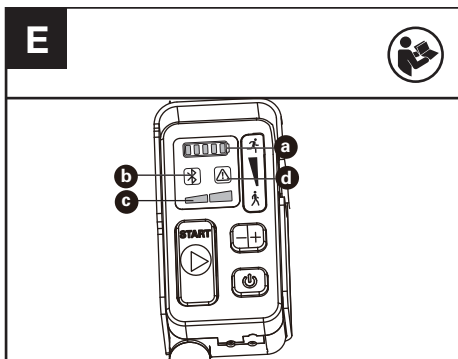
- Asenna akku.
- Jatka virtakytkimen painamista ja akun merkkivalo (a) ja leikkuunopeuden merkkivalo (c) syttyvät.
- Paina leikkuuterän käynnistyspainiketta ja vedä turvavipua käynnistääksesi koneen.
- Jos varoitusvalo (d) vilkkuu, katso ratkaisut kohdasta **Vianetsintä**.
- Vapauta käyttövipu. Terä pysähtyy lyhyen viiveen jälkeen. Jos ruohonleikkuri ei pysty pysähtymään, irrota akku ja ota yhteys huoltohenkilöstöön.

LED-valot

- | | |
|----|--------------------------|
| a. | AKUN ILMAISIN |
| b. | BLUETOOTHIN ILMAISIN |
| c. | LEIKKUUNOPEUDEN ILMAISIN |
| d. | VAROITUSILMAISIN |

FIN

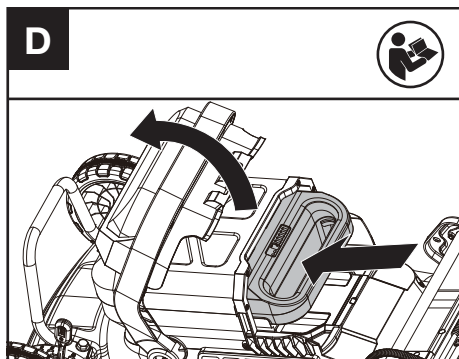
HUOMAA: Varoitusilmaisिन vilkkuu punaisena tai keltaisena, kun laitteessa on vika. Mikäli punainen valo vilkkuu, käänny jälleenmyyjän puoleen. Mikäli keltainen valo vilkkuu, sammuta kone, irrota akku, laita akku takaisin ja käynnistä kone. Mikäli keltainen valo vilkkuu edelleen, käänny jälleenmyyjän puoleen.



Akun varaustilan tarkistaminen ja akuston lataaminen.

HUOMAUTUS: Akut toimitetaan lataamattomina. Akku on ladattava täyteen ennen ensimmäistä käyttökertaa. Lisätietoja löytyy akun ja laturin ohjekirjasta.

Akun asentaminen/poistaminen (katso kuva D)



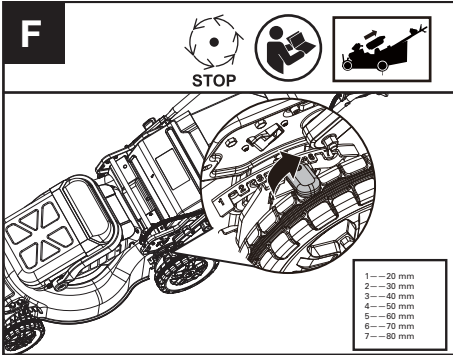
Hallintalaitteiden tarkistaminen

- Irrota akku.
- Yritä painaa virtakytkintä,

Leikkuukorkeuden säätäminen (katso kuva F)

Säädi leikkuukorkeutta leikkuukorkeuden säädön etu- ja takapyörän vivuilla.

HUOMAA: Varmista, että etu- ja takapyörät ovat samassa asennossa, kun säädät korkeutta.



VAROITUS! Pysähdy, vapauta turvavipu ja odota kunnes moottori pysähtyy ennen korkeuden säätämistä. Terä jatkaa pyörimistään koneen sammuttua, pyörivä terä voi aiheuttaa loukkaantumisen. Älä koske pyöriviin teriin.

KÄYTTÖ

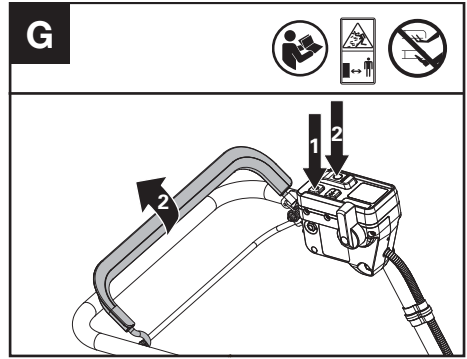
Ruohonleikkurin käynnistäminen ja pysäyttäminen (katso kuva G)

1. Paina virtakytkintä
2. Paina leikkuuterän käynnistyspainiketta (Pidä pohjassa) ja vedä käyttökahvaa koneen käynnistämiseksi.
3. Vapauta turvavipu pysäyttääksesi.

VAROITUS! Terä pyörii edelleen, kun leikkuri on sammutettu. Odota, kunnes se on kokonaan pysähtynyt.

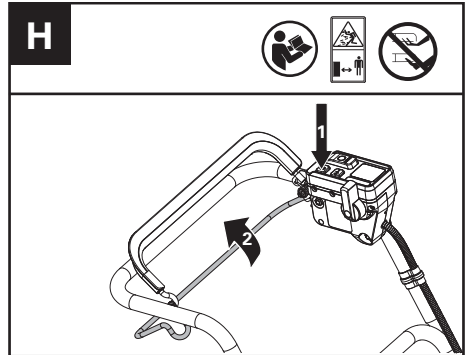
HUOMAUTUS: Paina leikkuuterän käynnistyspainiketta ja vedä samanaikaisesti turvavipua käynnistääksesi.

HUOMAUTUS: Paina virtakytkintä ja näyttö syttyy. Näyttö sammuu automaattisesti, jos mitään toimintaa ei tapahdu 60 sekunnin aikana.

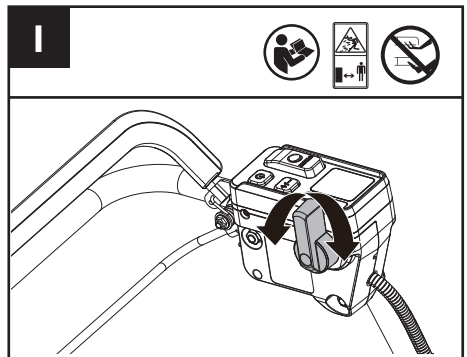


Itseliikkuvuusjärjestelmän käyttö (katso kuva H)

1. Paina virtakytkintä
2. Vedä itsevedon käyttövipua käynnistääksesi itseliikkuvuusjärjestelmän.
3. Vapauta itsevedon käyttövipu pysäyttääksesi.



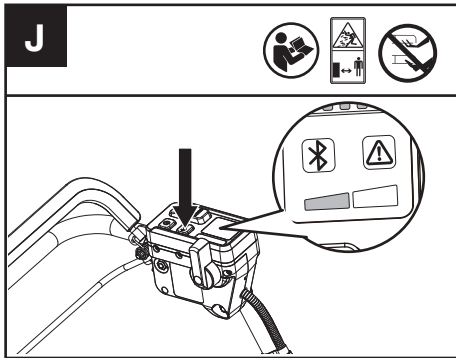
Itsevedonopeuden valinta (katso kuva I)



Leikkuunopeuden valinta (katso kuva J)

Valittavana on kaksi leikkuunopeustasoa sovelluksesta riippuen. Käytä +/- nopeuden säätämiseen, joka osoitetaan LED-valoilla. Mitä

korkeampi leikkuunopeustaso, sitä nopeammin työkalu toimii.



VINKKEJÄ RUOHONLEIKKUUSEEN SILPPUAMALLA

Silppuamisen aikana uusi ruohonleikkuri on suunniteltu leikkaamaan leikkuujätteet pieneksi silpuksi ja levittämään sen takaisin nurmikolle. Normaaliolosuhteissa silputtu ruoho hajoo nopeasti ja antaa ravinteita nurmikolle. Lue seuraavat suositukset optimaalisen silppuamissuorituskyvyn takaamiseksi.

- 1) Vältä ruohonleikkuuta, kun ruoho on märkä sateesta tai kasteesta. Märkä ruoho voi muodostaa kokkareita, jotka häiritsevät silppuamista ja lyhentävät toiminta-aikaa.
- 2) Paras silppuamistulos saavutetaan asettamalla leikkuukorkeus siten, että se poistaa noin kolmanneksen ruohon pituudesta, mieluiten enintään 40 mm kerrallaan. Jos nurmikko on ylikasvanut, leikkuukorkeutta voi olla tarpeen lisätä työntövoiman tarpeen vähentämiseksi ja moottorin ylikuormittumisen estämiseksi. Erittäin raskaassa silppuamisessa on suositeltavaa leikata ensin korkealla leikkuukorkeusasetuksella ja leikata ruoho sitten uudelleen lopulliseen korkeuteen. Leikkaa muutoin kapeampia leikkauksia ja leikkaa hitaasti.
- 3) Ruohonleikkuri toimii tehokkaimmin, kun pidät ruohonleikkurin kotelon puhtaana kasautuneesta ruohosta. Sammuta leikkuri ajoittain ja odota, että terät pysähtyvät kokonaan. Irrota akut ja käännä ruohonleikkuri kyljelleen. Rapsuta terän ympärille kertynyt ruoho pois esimerkiksi tikulla. Varo terän teräviä reunoja. Varmista, että teränaalue puhdistetaan usein, kun leikataan märkää tai uutta ruohoa, ja aina koneen käytön jälkeen.
- 4) Tietyt ruohotyypit tai olosuhteet saattavat vaatia, että alue silputaan toisen kerran, jotta ruoho levitettyisi ympäri nurmikkoa. Kun leikkaat toisen kerran, on suositeltavaa leikata kohtisuoraan (poikittain) ensimmäiseen leikkaukseen nähden. ÄLÄ MUUTA LEIKKAUSKUVIOTA NIIN, ETTÄ SE AIHEUTTAISI RUOHONLEIKKUUN ALAMÄKEEN.
- 5) Vaihda leikkaukkuviota viikosta toiseen. Tämä auttaa ehkäisemään nurmikon mattoutumista ja epätasaisuutta.

- 6) Älä leikkaa rinnettä, jonka kulma on suurempi kuin 18°.

LEIKKUUALUE

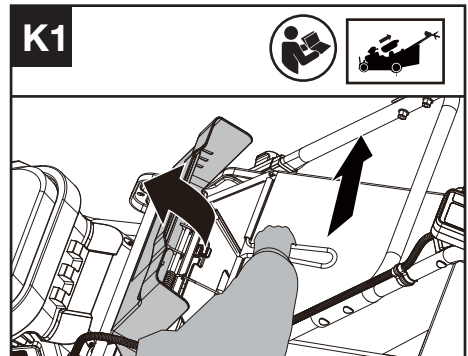
Leikkuualueeseen voivat vaikuttaa useat tekijät, kuten leikkuukorkeus, nurmikon kosteus sekä ruohon pituus ja tiheys. Lisäksi leikkurin käynnistäminen ja pysäyttäminen liian monta kertaa käytön aikana pienentää leikkuualueita.

VINKKEJÄ:

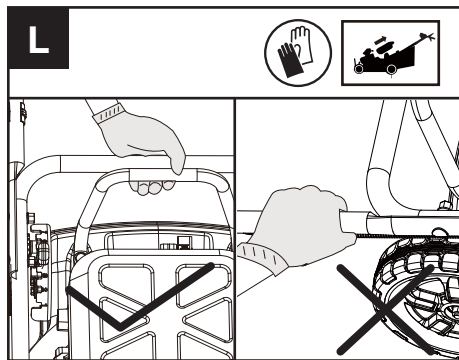
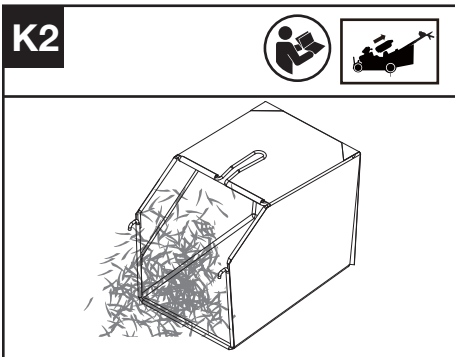
- 1) Suosittelemme leikkaamaan nurmikkoa useammin, kävelemään normaalivauhtia ja olemaan käynnistämättä/pysäyttämättä leikkuria liian usein käytön aikana.
- 2) Parhaan suorituskyvyn varmistamiseksi varmista, että akku on täyteen ladattu ja leikkaa aina 1/3 tai vähemmän ruohon korkeudesta. Uuden terän asentamista suositellaan ennen leikkuukauden alkua.
- 3) Kävele hitaasti, kun leikkaat pitkää ruohoa, jotta leikkaaminen on tehokkaampaa ja että se poistaa leikkuujätteen kunnolla.
- 4) Vältä märän ruohon leikkaamista, sillä muuten se tarttuu kannen alapuolelle ja leikkuujätettä ei voida kerätä tai poistaa kunnolla.
- 5) Uudelle tai paksulle ruoholle tulee käyttää korkeampaa leikkuukorkeutta, mikä pidentää akun käyttöikää.

Ruohon keräyspussin poisto/tyhjennys (katso kuvat K1, K2)

VAROITUS! Tarkista aina ennen käyttöä, että turvaläppä on sulkenut poistoaukon. Älä koskaan nosta turvaläppää tai irrota biotulppaa ruohonleikkuria käytettäessä ilman asennettua ruohon keräyspussia.



FIN



AKKUTYÖKALUJA VARTEN

Suosittelava käyttöympäristön lämpötila-alue akun tyhjennystä varten on -20 °C~45 °C (-4 °F~113 °F). Latausjärjestelmälle suositeltu käyttöympäristön lämpötila-alue latauksen aikana on -5 °C~45 °C(23 °F~113 °F).

Yksityiskohdat käytettyjen paristojen turvallisesta hävittämisestä

Laitteen elinkaaren lopussa poista akkupaketti turvallisesti ennen laitteen hävittämistä. Älä heitä paristoja roskakoriin tai normaaliin jäteastiaan. Älä myöskään hävitä akkua laitteen mukana. Poista käytetty akkupaketti laitteesta ja hävitä se lähimmässä tai kätevimmissä kierrätyslaitoksessa. Jos olet epävarma, ota yhteys paikalliseen ympäristönsuojeluvirastoon. Paristot voivat päätyä vesikiertoon, jos niitä hävitetään väärin, mikä voi olla vaarallista ekosysteemille. Älä hävitä käytettyjä paristoja lajittelemattomana sekajätteenä.

KULJETUS

Ruohonleikkurin kuljetus

1. Sammuta ruohonleikkuri ja irrota akku.
2. Kun kuljetat ruohonleikkuria, itseajoa voidaan käyttää ilman leikkuuterien käyttämistä.
3. Ruohonleikkurin nostoa varten on suositeltavaa, että kaksi henkilöä nostaa ruohonleikkurin kummaltakin puolelta käyttäen moottorisuojaa ja alakahvan kiinnitysalueita kahvoina. Kun nostat konetta sen ollessa taitettuna, tartu moottorin suojaan, älä kahvoiniin. (katso kuva L)

Akun kuljettaminen

1. Varmista, että akku on turvallisessa kunnossa.
2. Käytä akkua kuljetettaessa ei-johtavaa pakkausta.
3. Sisältyviin litiumioniakkuihin sovelletaan vaarallisia aineita koskevaa lainsäädäntöä. Kuljeta akkuja vain, jos akkukotelo on vahingoittumaton. Pakkaa akut niin, että ne eivät pääse liikkumaan pakkauksessa.

HUOLTOTOIMENPITEET

! **VAROITUS!** Pysäytä ruohonleikkuri ja irrota akku ennen ruohon keräyspussin irrottamista.

HUOMAUTUS: Pitkän ja luotettavan käytön varmistamiseksi suorita seuraavat huoltotoimenpiteet säännöllisesti. Tarkista ilmeiset viat, kuten löysä, irronnut tai vahingoittunut terä, löysät varusteet ja kuluneet tai vaurioituneet osat. Tarkista, että kannet ja suojuukset ovat ehjät ja että ne on kiinnitetty oikein ruohonleikkuriin. Tee tarvittavat huollot tai korjaukset ennen ruohonleikkurin käyttöä. Jos ruohonleikkuri ei toimi säännöllisestä huollosta huolimatta, soita asiakaspalveluumme ja pyydä neuvoja.

TERÄN TEROITUS

PIDÄ TERÄ TERÄVÄNÄ PARHAAN RUOHONLEIKKURIN SUORITUSKYVYN SAAVUTTAMISEKSI. TYLSÄ TERÄ EI LEIKKAA RUOHOA SIISTISTI TAI SILPPUA KUNNOLLA. KÄYTÄ SILMÄSUOJAA JA VIILTOSUOJAKÄSINEITÄ POISTAESSASI, TEROITTAESSASI JA ASENTAESSASI TERÄÄ.

HUOMAUTUS: Teroita tai vaihda terä 50 käyttötunnin välein. Hiekka saa terän tylsymään nopeasti. Jos nurmikolla on hiekkaista maaperää, terän teroittaminen tai vaihtaminen on ehkä tehtävä useammin.

VAIHDA TAIPUNUT TAI VAHINGOITTUNUT TERÄ VÄLITTÖMÄSTI.

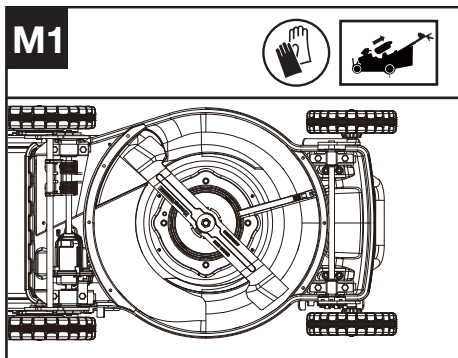
TEROITETTAESSA TERÄÄ

1. Käytä puupalikkaa estämään terän kääntyminen.
2. Irrota terän pultti ja sitten terä hylsyn ja jakoavaimen avulla. (Katso kohta Terän irrotus)

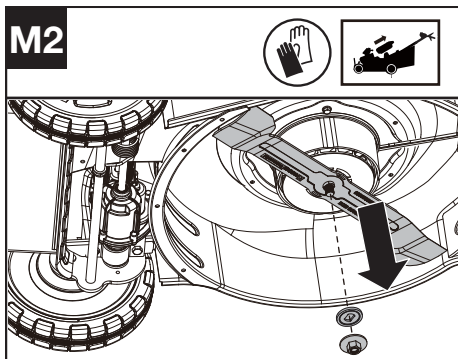
3. Kiinnitä terä ruuvipuristimeen tai vastaavaan, jotta se ei liiku teroituksen aikana.
4. Teroita terän molemmissa päässä olevat leikkuupinnat. Varmista, että molemmista päistä poistetaan sama määrä materiaalia, jotta terä pysyy tasapainossa.
5. Tarkista terän tasapaino. (Katso kohta Terän tasapainotus)
6. Vaihda terä purkamisen käänteisessä järjestyksessä.
7. Varmista, että terän pultti kiristetään tarvittavaan vääntömomenttiin (25 Nm).

HUOMAUTUS:

1. Varmista, että ruohonleikkuri on sammutettu ja poista akku.
2. Käännä leikkuri kyljelleen kuvan M1 mukaisesti

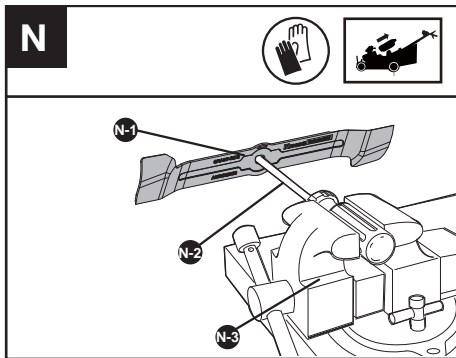


TERÄN POISTAMINEN (KATSO KUVA M2)



TERÄN TASAPAINOTUS (KATSO KUVA N)

Tarkista terän tasapaino asettamalla keskireikä terään (N-1) ruuvimeisselin varren (N-2) päälle, joka on kiinnitetty vaakasuoraan ruuvipuristimeen (N-3). Jos jompikumpi terän pää pyörii alaspäin, viilaa sitä päätä. Terä on tasapainossa, kun kumpikaan pää ei laskeudu.



TERÄN VAIHTO

-Suosittelemme vaihtamaan eri leikkuuterät erilaisten työskentelyolosuhteiden mukaan paremman käyttökokemuksen saamiseksi.

TERÄ	TOIMINTO
Korkea terä	Suosittellaan pussitukseen
Sahareunainen terä	Suosittellaan silppuamiseen

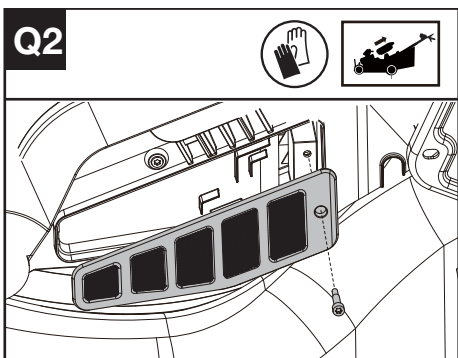
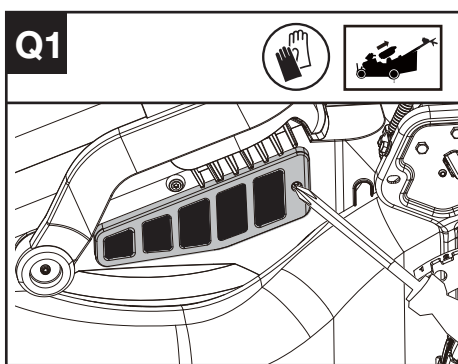
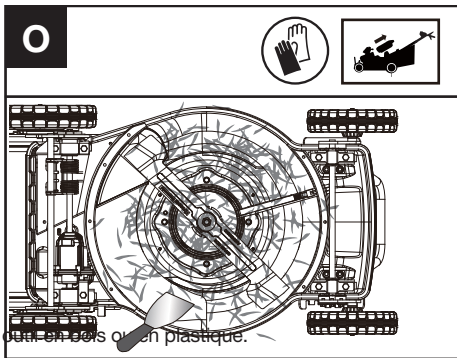
PUHDISTUS

1. Pysäytä leikkuri ja irrota akku.
2. Älä käytä aggressiivisia pesuaineita tai liuottimia. Puhdista kone käytön jälkeen kostealla liinalla, joka on kastettu miettoon pesuaineeseen.
3. Pidä akkuliitainta vapaana liasta ja roskista, ja puhdista pehmeällä ja kuivalla harjalla tai liinalla.
4. Älä suihkuta vettä moottorin ja sähkökomponenttien päälle.
5. Älä käytä painepesuria koneen puhdistamiseen.

Kannen ja teräalueen puhdistus. (katso kuva O)

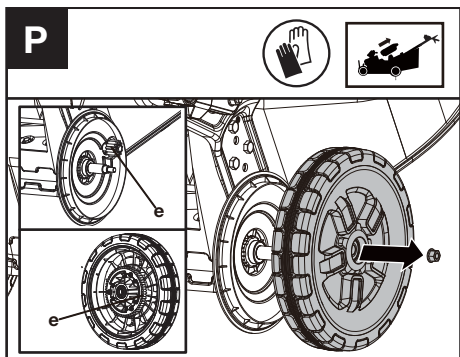
Leikkuujätteen ja roskien puhdistaminen kannen ja teräalueelta.

Jos leikkuujätteet paakkuuntuvat terän alueella, poista puisella tai muovisella työvälineellä.



Pyörien puhdistus. (katso kuva P)

- Pysäytä leikkuri ja irrota akku.
- Puhdista pyörät 50 käyttötunnin välein tai useammin äärimmäisissä olosuhteissa.
- Poista takapyörät ja puhdista leikkuujäte ja roskat pyörien hammaspyörien alueelta.
- Suosittelemme levittämään pienen määrän tarttumisenestonestettä hammaspyörille (e) puhdistuksen jälkeen



Ilmansuodattimen puhdistaminen (ks. kuvat Q1, Q2)

1. Puhdista ilmansuodatinta ympäröivä alue. Käytä kosteaa liinaa tai pehmeää harjaa.
2. Ruuvaa irti ja poista ilmansuodatin.
3. Pese ilmansuodatin juoksevalla vedellä lian poistamiseksi.
4. Anna ilmansuodattimen kuivua ilmassa. Asenna se sitten koteloon ruuvia kiristämällä.

SÄILYTYS

1. Pysäytä leikkuri ja irrota akku.
2. Puhdista koneen ulkopuoli läpikotaisin käyttäen pehmeää harjaa ja liinaa. Älä käytä liuottimia tai kiillotusaineita. Poista kaikki ruoho ja roskat, erityisesti tuuletusaukoista, siippurin levystä, teräalueesta ja pyöristä.
3. Säilytä kone kuivassa paikassa, jossa se on lasten ja muiden luvottomien ihmisten ulottumattomissa. Älä aseta muita esineitä koneen päälle.
4. Varastoinnin helpottamiseksi kahvatangon taittamiseksi.
5. Säilytä akkua vain lämpötila-alueella 5–25 °C (41 °F–77 °F). Älä esimerkiksi jätä akkua autoon kesäaikaan.
6. Jos laite kone ja akku kastuvat sateessa käytön aikana, ne tulee kuivata ennen varastointia tai lataamista. Irrota akku ja aseta se takaisin, jos laite ei käynnisty.

VIANETSINTÄ

Seuraava taulukko kuvaa ongelmat ja tehtävät toimenpiteet, jos laite ei toimi oikein.



VAROITUS: Sammuta kone ja poista akku ennen vianmäärittystä.


ONGELMA	SOLUTION
1. Ruohonleikkuri ei toimi, kun turvavipu on aktivoitu.	A. Tarkista, että leikkuuterän käynnistyspainike on kunnolla painettu. B. Vapauta turvavipu ruohonleikkurin sammuttamiseksi. Irrota akku, käännä ruohonleikkuri ja tarkista, että terä liikkuu vapaasti. Jos ei, ota yhteyttä valtuutettuun huoltopalveluun. Terän pitäisi pyöriä vapaasti. C. Onko akku ladattu täyteen? Kytke laturi ja odota vihreän valon syttymistä. D. Paina leikkuuterän käynnistyspainiketta ja vedä samanaikaisesti turvavipua käynnistääkseen.
2. Moottori pysähtyy leikkua aikana.	A. Vapauta turvavipu ruohonleikkurin sammuttamiseksi. Poista akku, käännä ruohonleikkuri ympäri tarkistaaksesi, onko ruohonleikkuriin jumittunut roskaa. Poista roskat terän kiertoalueelta. Tarkista sitten, että terä pyörii vapaasti. Jos ei, ota yhteyttä valtuutettuun huoltopalveluun. Terän pitäisi pyöriä vapaasti. B. Nosta pyörien leikkuukorkeus korkeimpaan asentoon ja käynnistä leikkuri. C. Onko akku ladattu täyteen? Kytke laturi ja odota vihreän valon syttymistä. D. Vältä leikkurin ylikuormittamista. Hidasta leikkuutahtia työntämällä ruohonleikkuria hitaammin tai nostamalla leikkuukorkeutta. Tai tee molemmat.
3. Ruohonleikkuri toimii, mutta leikkuuteho ei ole tyydyttävä tai ei leikkaa koko nurmikkoa.	A. Onko akku ladattu täyteen? Kytke laturi ja odota vihreän valon syttymistä. B. Vapauta turvavipu ruohonleikkurin sammuttamiseksi. Irrota akku. Käännä ruohonleikkuri ja tarkista terän terävyys – pidä terä terävänä. Tarkista kansi ja poistokouru tukkeutumisen varalta. C. Pyörän korkeussäätö voi olla asetettu liian alhaiseksi nurmikon olosuhteisiin. Nosta leikkuukorkeutta.
4. Ruohonleikkuria on liian vaikea työntää.	A. Nosta leikkuukorkeutta vähentääksesi kannen vetämistä ruoholla. Tarkista jokaisen pyörän vapaa pyöriminen.
5. Ruohonleikkuri on poikkeuksellisen meluisa ja värisee.	A. Vapauta turvavipu ruohonleikkurin sammuttamiseksi. Irrota akku. Käännä ruohonleikkuri kyljelleen ja tarkista terä, ettei se ole vääntynyt tai vahingoittunut. Jos terä on vaurioitunut, vaihda tilalle uusi terä. Jos kannen alapuoli on vaurioitunut, palauta ruohonleikkuri valtuutettuun huoltokeskukseen. B. Jos terässä ei ole näkyviä vaurioita ja leikkuri värähtelee edelleen, vapauta turvavipu sammuttaaksesi ruohonleikkurin, ja irrota sitten akku ja terä. Kierrä terää 180 astetta ja kiristä uudelleen. Jos ruohonleikkuri vielä tärisee, palauta se valtuutettuun huoltokeskukseen.
6. Akkulaturin LED-valo ei ole päällä.	A. Tarkista pistokeliitäntä. B. Vaihda laturi.
7. Akkulaturin LED-valo ei syty vihreään.	A. Akku on diagnosoitava. Vie valtuutettuun huoltokeskukseen.

FIN

8. Ruohonleikkuri ei kerää leikkuujätettä ruohon keräyspussilla.	A. Takakouru on tukossa. Vapauta turvavipu ruohonleikkurin sammuttamiseksi. Irrota akku. Puhdista ruohonleikkurin kouru. B. Ruohonleikkuri ei kerää leikkuujätettä ruohon keräyspussiin. C. Pussi on täynnä. Tyhjennä pussi useammin.
9. Silputtaessa näkyy leikkuujätettä.	A. Liikaa leikattavaa ruohoa. Nosta pyörien leikkauskorkeutta leikkuupituuden lyhentämiseksi. Älä leikkaa yli 1/3 kokonaispituudesta. B. Tarkista terän terävyys. Pidä terä aina terävänä. C. Vähennä nopeutta, jos ruoho on korkeaa tai erittäin tiheää.
10. Alhainen tai vähentynyt käyttöaika monien käyttökertojen jälkeen	A. Palauta valtuutettuun huoltoiliikkeeseen – voi tarvita uuden akun.
11. Varoitusilmaisin vilkkuu.	A. Sammuta kone, irrota akku, laita akku takaisin ja käynnistä kone. B. Ota yhteyttä asiakaspalveluun.

TEKNISEET TIEDOT

Tyyppi: **KC720 KC720.X (720-koneen määrittys, vahvistetun teräskannellisen SP-ruohonleikkurin edustaja)**

	KC720 KC720.X **
Jännite	60V  Max***
Kannen materiaali	Vahvistettu teräs -1.8 mm
Leikkuuleveys	47 cm
Makatso SP-nopeus	6.4 km/h
Leikkuukorkeus	20-80 mm
Leikkuukorkeuden asennot	7
Ruohon keräyskapasiteetti	70 L
IP-luokitus	IPX4
Käyttöaika	70min@11Ah****
Koneen paino (pelkkä työkalu)	38 kg

** X = 1-999, A-Z, M1-M9 ovat vain eri asiakkaille, näiden mallien välillä ei ole turvallisuuteen liittyviä muutoksia.

*** Jännite mitattu ilman kuormitusta. Aloitusakkujännite saavuttaa 60 voltin maksimin. Nimellisjännite on 54 voltia.

**** Käyttöaika voi vaihdella työkalun käyttötavan ja nurmikko-olosuhteiden mukaan. Valittu leikkausnopeustaso vaikuttaa akun käyttöaikaan. Mitä pienempi leikkuunopeustaso, sitä pidempi käyttöaika.

SUOSITELTUJA AKKUJA JA LATUREITA

Akku	Kapasiteettia	Laturi	Ampeeriluku
KAC810	11 Ah	KAC840	30 A

Suosittellemme lisävarusteiden ostamista samalta jälleenmyyjältä, jolta ostit työkalun. Katso lisätietoja lisävarusteiden pakkauksesta. Liikkeen henkilökunta voi auttaa ja neuvoa.

AKKUYKSIKÖN TEKNISET TIEDOT (VALINNAINEN)

Bluetooth-taajuusalueet	2400-2483.5 MHz
Bluetoothin suurin lähetysteho	8 dBm

MELUPÄÄSTÖT

A-painotettu äänenpaine $L_{pA} = 83.2$ dB(A)

K_{pA} 3 dB(A)

A-painotettu ääniteho $L_{wA} = 95.84$ dB(A)

K_{wA} 0.65 dB(A)

Käytä kuulosuojaimia.



TÄRINÄTASOT

Tyypillinen painotettu tärinä $a_n < 2.5$ m/s²

Epävarmuus $K = 1.5$ m/s²

VAROITUS: Työkalun käytön todelliset tärinäarvot saattavat poiketa annetuista arvoista riippuen työkalun käyttötavoista seuraavien määritelmien ja muiden käyttötapojen perusteella: Kuinka työkalua käytetään ja mitä materiaaleja työestetään tai porataan. Onko työkalu hyvässä kunnossa ja hyvin huollettu. Käytetäänkö työkalussa oikeita lisävarusteita ja ovatko ne teräviä ja hyväkuntoisia. Kahvojen otteen pitävyys, käytetäänkö työkalussa tärinää estäviä lisävarusteita. Käytetäänkö työkalua asianmukaisesti ja näitä ohjeita noudattaen.

Tämä työkalu saattaa aiheuttaa käsien/käsivarsien tärinäsyndrooman, jos käyttöä ei säädelä riittävästi.

VAROITUS: Altistustason arvioinnissa tulee tarkkuuden vuoksi ottaa huomioon todelliset käyttöolosuhteet, mukaan lukien aika, jona työkalu on kytketty pois päältä ja kun se käy joutokäynnillä. Tämä saattaa vähentää koko työajan yhteenlaskettua altistusaiikaa huomattavasti. Tärinälle altistumisriskin vähentämiseksi. Käytä AINA teräviä taltoja, poria ja teriä. Huolla tätä työkalua ohjeiden mukaisesti ja pidä työkalu hyvin voideltuna (soveltuvisissa kohdissa). Jos työkalua käytetään säännöllisesti, hanki tärinää estäviä lisävarusteet. Suunnittele työt siten, että paljon tärinää aiheuttavien töiden suorittaminen jakautuu usealle päivälle.

YMPÄRISTÖNSUOJELU

Elektroniiikkaromua ei saa hävittää kotitalousjätteen mukana. Toimita elektroniikkaromu asianmukaisiin keräyspisteisiin. Kysy kierrätysohjeita paikallisviranomaisilta tai jälleenmyyjältä.

VAATIMUSTENMUKAISUUSVAKUUTUS

Me,

We,

Positec Germany GmbH
Postfach 680194, 50704 Cologne, Germany

Ilmoita, että tuote,
Selostus **Akkukäyttöinen ruohonleikkuri**
Tyyppi **KC720 KC720.X (720-koneen määrittäminen, vahvistetun teräskannellisen SP-ruohonleikkurin edustaja)**
Toiminto **ruohonleikkuu**

Täyttää seuraavien direktiivien määräykset:
2006/42/EC, 2014/30/EU, 2011/65/EU & (EU) 2015/863, 2000/14/EC ja sen lisäys 2005/88/EC

2000/14/EC ja sen lisäys 2005/88/EC:
- Yhdenmukaisuuden arviointi perusteilla **Liite VI**
- Mitattu äänenvoimakkuuden taso **95.84 dB (A)** FIN
- Ilmoitettu taattu äänenvoimakkuuden taso **96 dB (A)**

Asiaankuuluva viranomainen
Nimi: TÜV Rheinland LGA Products GmbH
(ilmoitettu laitos 0197)
Osoite: Tillystraße 2-90431 Nürnberg

Yhdenmukaiset standardit
EN 62841-1, EN IEC 62841-4-3, EN ISO 3744, EN IEC 55014-1, EN IEC 55014-2, EN IEC 63000

Henkilö valtuutettu laatimaan tekninen tiedosto,
Nimi Marcel Filz
Osoite Positec Germany GmbH
Postfach 680194, 50704 Cologne, Germany



2024/02/05
Allen Ding
Apulais Pääinsinööri, testaus ja sertifiointi
Positec Technology (China) Co., Ltd
18, Dongwang Road, Suzhou Industrial
Park, Jiangsu 215123, P. R. China

INNHOLDFORTEGNELSE

Introduksjon.....	298
Komponentliste.....	300
Produktsikkerhet.....	301
Montering og bruk.....	304
Transport.....	309
Vedlikehold.....	309
Rengjøring.....	310
Oppbevaring.....	311
Feilsøking.....	312
Tekniske data.....	313
NOR Miljøverntiltak.....	314
Samsvarserklæring.....	314

INTRODUKSJON

Kjære kunde,

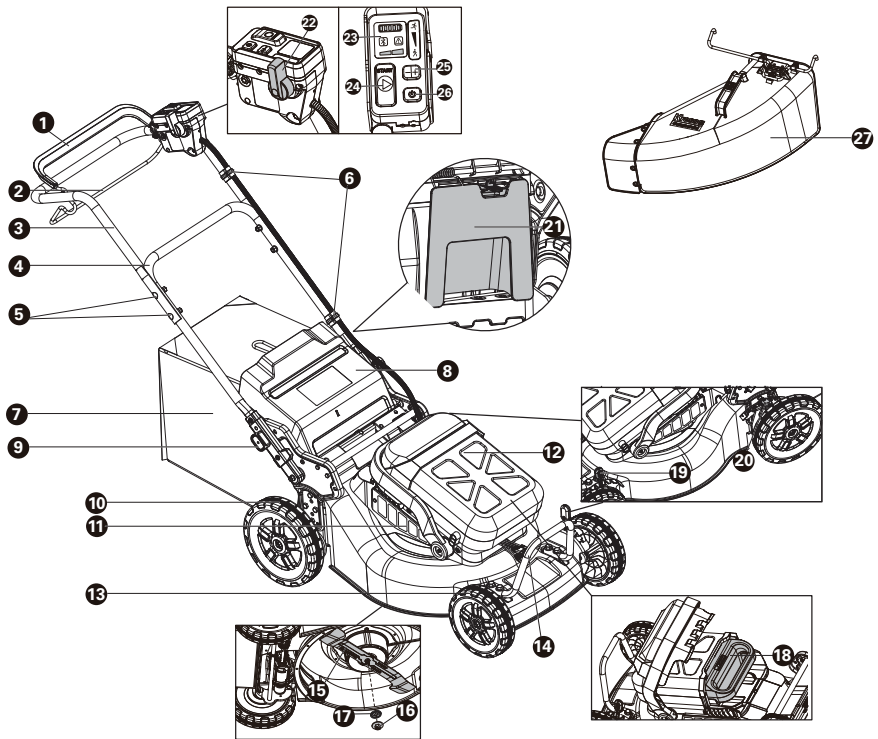
Takk for at du kjøpte dette Kress Commercial-produktet. Vi er dedikerte innen utvikling av høykvalitetsprodukter som møter dine behov for kommersiell landsskapsarkitektur.

Kress-merket er synonymt med førsteklasses service. Hvis du har spørsmål eller bekymringer angående produktet gjennom produktets levetid, bes du kontakte forhandleren din eller vårt kundeserviceteam for å få hjelp.

Vi er sikre på at du vil ha glede av å bruke Kress-produktet ditt i mange år fremover.

FORMÅLSMESSIG BRUK

Dette produktet er beregnet for kommersiell plenklipping.



NOR

KOMPONENTLISTE

1.	DRIFTSBØYLE (BLADKOBLING)
2.	SELVDRIVENDE KOBLINGSBØYLE
3.	ØVRE HÅNDTAK
4.	NEDRE HÅNDTAK
5.	HÅNDTAKSFESTER
6.	KABELKLEMME
7.	OPPSAMLINGSDOSE FOR GRESS
8.	SIKKERHETSKLAFF
9.	HØYDEJUSTERINGSKNAPP
10.	BAKHJUL
11.	LUFTFILTER
12.	DEKSEL FOR BATTERIROM
13.	FRONTHJUL
14.	MOTORVERN
15.	BLAD
16.	BLADBOLT
17.	AVSTANDSSTYKKE
NOR	18. BATTERIPAKKE*
	19. JUSTERINGSHÅNDTAK FOR KLIPPEHØYDE FORAN
	20. JUSTERINGSHÅNDTAK FOR KLIPPEHØYDE BAK
	21. BIOKLIPPLUGG
	22. SELVGÅENDE HASTIGHETSKONTROLL
	23. LED-INDIKATORER
	24. STARTKNAPP FOR KLIPPEBLAD
	25. KONTROLL FOR KLIPPEHASTIGHET
	26. AV/PÅ-BRYTER
	27. SIDEUTKAST*

* Ikke alt illustrert eller beskrevet tilbehør inngår i leveransen.

ORIGINAL DRIFTSINSTRUKS PRODUKTSIKKERHET GENERELLE ADVARSLER FOR ELEKTROVERKTØY



ADVARSEL Les alle sikkerhetsanvisningene, instruksjonene, illustrasjonene og spesifikasjonene som følger med dette elektroverktøyet. Manglende overholdelse av anvisningene nedenfor kan medføre elektrisk støt, brann og/eller alvorlige personskader.

Ta godt vare på alle advarslene og informasjonene.

Det nedenstående anvendte uttrykket "elektroverktøy" gjelder for strømndrevne (med ledning) og batteridrevne elektroverktøy (uten ledning).

1) SIKKERHET PÅ ARBEIDSPLASSEN

- a) **Hold arbeidsområdet rent og ryddig.** Rotete arbeidsområder eller arbeidsområder uten lys kan føre til ulykker.
- b) **Ikke arbeid med elektroverktøyet i eksplosjonsutsatte omgivelser – der det befinner seg brennbare væsker, gass eller støv.** Elektroverktøy lager gnister som kan antenne støv eller damper.
- c) **Hold barn og andre personer unna når elektroverktøyet brukes.** Hvis du blir forstyrret under arbeidet, kan du miste kontrollen over elektroverktøyet.

2) ELEKTRISK SIKKERHET

- a) **Støpselet til elektroverktøyet må passe inn i stikkkontakten. Støpselet må ikke forandres på noen som helst måte. Ikke bruk adapterstøpsler sammen med jordede maskiner.** Bruk av støpsler som ikke er forandret på og passende stikkontakter reduserer risikoen for elektriske støt.
- b) **Unngå kroppskontakt med jordede overflater slik som rør, ovner, komfyrer og kjøleskap.** Det er større fare ved elektriske støt hvis kroppen din er jordet.
- c) **Ikke bruk maskinen i regn eller under våte forhold.** Det kan øke risikoen for elektrisk støt.
- d) **Ikke bruk ledningen til andre formål, f.eks. til å bære elektroverktøyet, henge den opp eller trekke den ut av stikkkontakten. Hold ledningen unna varme, olje, skarpe kanter eller maskindeler som beveger seg.** Med skadede eller opphopede ledninger øker risikoen for elektriske støt.
- e) **Når du arbeider utendørs med et elektroverktøy, må du kun bruke en skjøteledning som er godkjent til utendørs bruk.** Når du bruker en skjøteledning som er egnet for utendørs bruk, reduseres risikoen for elektriske støt.
- f) **Hvis det ikke kan unngås å bruke elektroverktøyet i fuktige omgivelser,**

må du bruke en jordfeilbryter. Bruk av en jordfeilbryter reduserer risikoen for elektriske støt.

3) PERSONSIKKERHET

- a) **Vær oppmerksom, pass på hva du gjør, gå fornuftig frem når du arbeider med et elektroverktøy. Ikke bruk elektroverktøyet når du er trett eller er påvirket av narkotika, alkohol eller medikamenter.** Et øyeblikks uoppmerksomhet ved bruk av elektroverktøyet kan føre til alvorlige skader.
 - b) **Bruk personlig verneutstyr og husk alltid å bruke vernebriller.** Bruk av personlig sikkerhetsutstyr som støvmaske, skilfaste arbeidssko, hjelm eller hørselvern – avhengig av type og bruk av elektroverktøyet – reduserer risikoen for skader.
 - c) **Unngå å starte verktøyet ved en feiltagelse. Forviss deg om at elektroverktøyet er slått av før du kobler det til strømmen og/eller batteriet, løfter det opp eller bærer det.** Hvis du holder fingeren på bryteren når du bærer elektroverktøyet eller kobler elektroverktøyet til strømmen i innkoblet tilstand, kan dette føre til uhell.
 - d) **Fjern innstillingsverktøy eller skrunøkler før du slår på elektroverktøyet.** Et verktøy eller en nøkkel som befinner seg i en roterende maskindel, kan føre til skader.
 - e) **Ikke overvurder deg selv. Sørg for å stå stødig og i balanse.** Dermed kan du kontrollere elektroverktøyet bedre i uventede situasjoner.
 - f) **Bruk alltid egnede klær. Ikke bruk vide klær eller smykker. Hold hår og klær unna deler som beveger seg.** Løstsittende tøy, smykker eller langt hår kan komme inn i deler som beveger seg.
 - g) **Hvis det kan monteres støvavsug- og oppsamlingsinnretninger, må du forviss deg om at disse er tilkoblet og brukes på korrekt måte.** Bruk av et støvavsug reduserer faren på grunn av støv.
 - h) **Selv når du er blitt vant til verktøyet, må du ikke bli sløv og ignorere sikkerhetsreglene for verktøyet.** En uforsiktig handling kan forårsake alvorlig personskade i løpet av et brøkdels sekund.
- ## 4) AKT SOM HÅNDTERING OG BRUK AV ELEKTROVERKTØY
- a) **Ikke overbelast elektroverktøyet. Bruk et elektroverktøy som er beregnet til den type arbeid du vil utføre.** Med et passende elektroverktøy arbeider du bedre og sikrere i det angitte effektområdet.
 - b) **Ikke bruk elektroverktøy med defekt på-/avbryter.** Et elektroverktøy som ikke lenger kan slås av eller på, er farlig og må repareres.
 - c) **Trekk støpselet ut av stikkkontakten og/eller fjern batteriet (hvis demonterbart) før du utfører innstillinger på elektroverktøyet, skifter tilbehørsdeler eller legger elektroverktøyet bort.** Disse

tiltakene forhindrer en utilsiktet startung av elektroverktøyet.

- d) **Elektroverktøy som ikke er i bruk må oppbevares utilgjengelig for barn. Ikke la elektroverktøyet brukes av personer som ikke er fortrolig med dette eller ikke har lest disse anvisningene.** Elektroverktøy er farlige når de brukes av uerfarne personer.
- e) **Vær nøye med vedlikeholdet av elektroverktøyet og tilbehøret. Kontroller om bevegelige maskindeler fungerer feilfritt og ikke klemmes fast, og om deler er brukket eller skadet, slik at dette innvirker på elektroverktøyet funksjon. La skadede deler repareres før elektroverktøyet brukes.** Dårlig vedlikeholdte elektroverktøy er årsaken til mange uhell.
- f) **Hold skjæreverktøyene skarpe og rene.** Godt stelte skjæreverktøy med skarpe skjær setter seg ikke så ofte fast og er lettere å føre.
- g) **Bruk elektroverktøy, tilbehør, verktøy osv. i henhold til disse anvisningene. Ta hensyn til arbeidsforholdene og arbeidet som skal utføres.** Bruk av elektroverktøy til andre formål enn det som er angitt kan føre til farlige situasjoner.
- h) **Hold håndtak og gripeflater tørre, rene og uten olje eller fett.** Glatte håndtak og gripeflater hindrer sikker håndtering og styring av verktøyet i uventede situasjoner.

5) AKTSOM HÅNTERING OG BRUK AV BATTERIDREVNE VERKTØY

- a) **Lad batteriet kun opp i ladeapparater som er anbefalt av produsenten.** Det oppstår brannfare hvis et ladeapparat som er egnet til en bestemt type batterier, brukes med andre batterier.
- b) **Bruk derfor kun riktig type batterier for elektroverktøyene.** Bruk av andre batterier kan medføre skader og brannfare.
- c) **Hold batteriet som ikke er i bruk unna binders, mynter, nøkler, spikre, skruer eller andre mindre metallgjenstander, som kan lage en forbindelse mellom kontaktene.** En kortslutning mellom batterikontaktene kan føre til forbrenninger eller brann.
- d) **Ved gal bruk kan det lekke væske ut av batteriet. Unngå kontakt med denne væsken. Ved tilfeldig kontakt må det skylles med vann. Hvis det kommer væske i øynene, må du i tillegg oppsøke en lege.** Batterivæske som renner ut kan føre til irritasjoner på huden eller forbrenninger.
- e) **Ikke bruk batteriet eller verktøyet hvis det er skadet eller modifisert.** Ødelagte eller modifiserte batterier kan oppføre seg uforutsigbart, noe som kan føre til brann, eksplosjon eller fare for personskade.
- f) **Ikke utsett batteriet eller verktøyet for åpen ild eller for høye temperaturer.** Eksponering for ild eller temperaturer over 130°C kan forårsake eksplosjon.
- g) **Følg alle ladeinstruksjoner, og ikke lad batteriet**

eller verktøyet utenfor temperaturområdet som er spesifisert i bruksanvisningen. Feil lading eller lading ved temperaturområdet, kan skade batteriet og øke brannfaren.

6) Service

- a) **Maskinen din skal alltid kun repareres av kvalifisert fagpersonale og kun med originale reservedeler.** Slik opprettholdes elektroverktøyet sikkerhet.
- b) **Ikke utfør service på ødelagte batterier.** Service på batterier skal alltid utføres av produsenten eller godkjente forhandlere.

SIKKERHETSADVARSLER FOR GRESSKLIPPER

- a) **Ikke bruk gressklipperen under dårlige værforhold, spesielt når det er fare for lyn.** Dette reduserer risikoen for å bli truffet av lynet.
- b) **Inspiser området grundig for dyr der gressklipperen skal brukes.** Dyr kan bli skadet når gressklipperen er i bruk.
- c) **Inspiser området der gressklipperen skal brukes med jevne mellomrom. Fjern alle steiner, pinner, ledninger, bein og andre fremmedlegemer.** Gjenstander som kastes kan forårsake personskade.
- d) **Før du bruker gressklipperen må den alltid kontrolleres for å se at knivene og knivenheten ikke er skadet.** Slitte eller ødelagte deler øker risikoen for skader.
- e) **Kontroller gressoppsamleren ofte for slitasje eller skade.** Slitt eller ødelagt gressoppsamler øker risikoen for skader.
- f) **Ha beskyttelsevern på plass. Beskyttelsevern må være i god stand og riktig montert.** Beskyttelsevern som er løst, skadet eller ikke fungerer som det skal, kan føre til personskade.
- g) **Hold alle luftinntak for kjøling frie for rusk.** Blokkerte luftinntak og rusk kan føre til overoppheting eller brannfare.
- h) **Når du bruker gressklipperen, må du alltid benytte sklisikkert og beskyttende fottøy. Ikke bruk gressklipperen når du er barbeint eller bruker sandaler.** Det reduserer sjansen for skade på føttene ved kontakt med den bevegelige kniven.
- i) **Når du bruker gressklipperen, må du alltid ha på lange bukser.** Eksponert hud øker sannsynligheten for skader fra gjenstander som kastes.
- j) **Ikke bruk gressklipperen i vått gress. Gå, aldri løp.** Det reduserer risikoen for å skli og falle, noe som kan føre til personskade.
- k) **Ikke bruk gressklipperen i for bratte bakker.** Dette reduserer risikoen for mistet kontroll, skli og fall, noe som kan føre til personskade.
- l) **Når du arbeider i bakker, må du alltid ha et kontrollert fotfeste. Arbeid alltid på tvers av skråninger, aldri opp eller ned. Vær ekstremt forsiktig når du endrer retning.** Dette reduserer risikoen for mistet kontroll, skli og fall, noe som

kan føre til personskade.

- m) **Vær ekstremt forsiktig når du reverserer eller drar gressklipperen mot deg. Vær alltid oppmerksom på omgivelsene dine.** Dette reduserer risikoen for å snuble under bruk.
- n) **Ikke berør knivene og andre farlige bevegelige deler mens de fortsatt er i bevegelse.** Dette reduserer risikoen for skade fra bevegelige deler.
- o) **Når du fjerner fastkjørt materiale eller rengjør gressklipperen, må du sørge for at alle strømbrytere er av og at batteripakken er frakoblet.** Uventet start av gressklipperen kan føre til alvorlig personskade.

SIKKERHETSANVISNINGER FOR BATTERIPAKKE

- a) **Ikke demonter, åpne eller riv opp sekundære celler eller batteripakker.**
- b) **Ikke kortslett en celle eller en batteripakke. Ikke oppbevar celler eller batteripakke løst i en boks eller skuff hvor de kan kortslutte hverandre eller bli kortslettet av andre metallgjenstander.** Når batteripakken ikke er i bruk skal den holdes adskilt fra andre metallgjenstander som binders, mynter, nøkler, spiker, skruer eller andre små metallobjekter. Kortslutning av batteriet kan forårsake skader eller brann.
- c) **Ikke utsett celler eller batteripakke for varme eller ild. Unngå oppbevaring i direkte sollys.**
- d) **Ikke utsett celler eller batteripakke for mekanisk støt.**
- e) **Hvis du opplever cellelekkasje, ikke la væsken komme i kontakt med huden eller øynene. Dersom kontakt har oppstått, vask området med rikelige mengder vann og oppsøk medisinsk hjelp.**
- f) **Hold batteripakken ren og tørr.**
- g) **Tørk batteripakkekontaktene med en ren, tørr klut hvis de blir skitne.**
- h) **Batteripakken må lades før bruk. Bruk denne instruksjonen og korrekt ladeprosedyre.**
- i) **Ikke ha batteripakken til ladning når den ikke er i bruk.**
- j) **Etter en lang lagringsperiode kan det være nødvendig å lade og utlade batteripakken flere ganger for å oppnå maksimal ytelse.**
- k) **Bruk kun batterilader spesifisert av Kress. Bruk ikke andre ladere enn de som er levert for bruk med utstyret.**
- l) **Tikke bruk batteripakker som ikke er beregnet for bruk sammen med utstyret.**
- m) **Hold batteripakken utenfor barns rekkevidde.**
- n) **Ta vare på den originale bruksanvisningen for fremtidig bruk.**
- o) **Ta ut batteriene fra utstyret når det ikke er i bruk.**
- p) **Kvitt deg med produktet på forsvarlig måte.**
- q) **Ikke bland batterier av forskjellig produksjon, kapasitet, størrelse eller type i enheten.**

- r) **Hold batteriet unna mikrobølger og høyt trykk.**
- s) **Advarsel! Ikke bruk ikke-oppladbare batterier.**

BRUKERHÅNDBOKSKRAV FOR TRÅDLØST PRODUKT

- a) **Bruk av denne enheten er underlagt følgende to betingelser:**
 - (1) Denne enheten kan ikke forårsake skadelig interferens, og
 - (2) denne enheten må akseptere all interferens som mottas, inkludert interferens som kan forårsake uønsket drift.
- b) **Forsiktig: Endringer eller modifikasjoner av denne enheten som ikke er uttrykkelig godkjent av parten som er ansvarlig for samsvar, kan ugyldiggjøre brukerens rett til å bruke utstyret.**
- c) **MERK: Dette utstyret genererer, bruker og kan utstråle radiofrekvensenergi, og hvis det ikke installeres og brukes i samsvar med instruksjonene, kan det forårsake skadelig interferens for radiokommunikasjon.** Det er imidlertid ingen garanti for at interferens ikke vil oppstå i en bestemt installasjon. Hvis dette utstyret forårsaker skadelig interferens for radio- eller TV-mottak, noe som kan fastslås ved å slå utstyret av og på, oppfordres brukeren til å prøve å korrigere interferensen med ett eller flere av følgende tiltak:
 - Reorienter eller flytt mottakerantennen.
 - Øk avstanden mellom utstyret og mottakeren.
 - Koble utstyret til en stikkontakt på en annen krets enn den mottakeren er koblet til.
 - Konsulter forhandleren eller en erfaren radio/TV-tekniker for å få hjelp.


NOR

SYMBOLER

	For å redusere risikoen for personskade, må brukeren lese instruksjonsveiledningen
	ADVARSEL
	ADVARSEL – pass på gjenstander som kastes – hold tilskuere på avstand
	ADVARSEL – hold hender og føtter unna knivene

	ADVARSEL – koble fra batteriet før vedlikehold
	Bladene fortsetter å rotere etter at maskinen er slått av. Vent til alle maskinkomponenter har fullstendig stoppet før du berører dem
	Bruk vernehansker
	Fjern batteriet fra kontakten før du utfører justeringer, service eller vedlikehold.
	Hvis det ikke håndteres riktig, kan batteriet komme inn i vannsyklusen, noe som kan forårsake skade på økosystemet. Ikke kast brukte batterier som usortert kommunalt avfall.
	Ikke brenn
	Høy hastighet
	Lav hastighet
 Li-Ion 	Litium-ion-batterier Dette produktet er merket med symboler tilknyttet "separat samling" av alle batteripakker og batteripakker. Du kan deretter resirkulere eller fjerne den for å redusere påvirkningen på miljøet. Batteripakken inneholder skadelige stoffer som kan være skadelige for miljøet og menneskers helse.
	Avfall etter elektriske produkter må ikke legges sammen med husholdningsavfall. Venligst resirkuler avfallet der dette finnes. Undersøk hos de lokale myndighetene eller en detaljist for resirkuleringsråd.

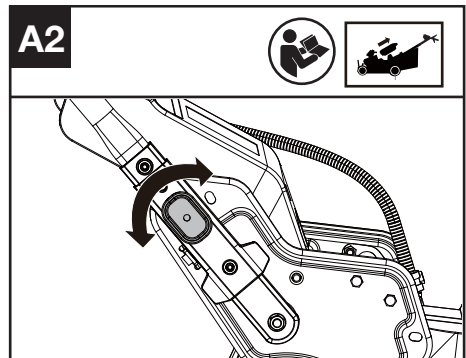
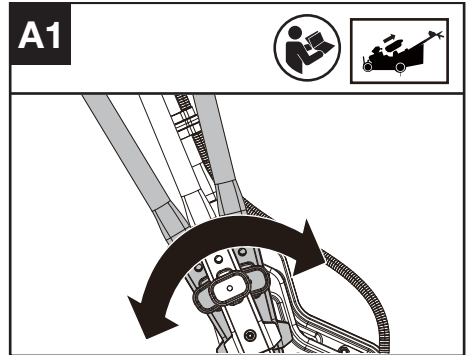
MONTERING OG BRUK

 **MERK:** Les bruksanvisningen nøye før du bruker verktøyet.

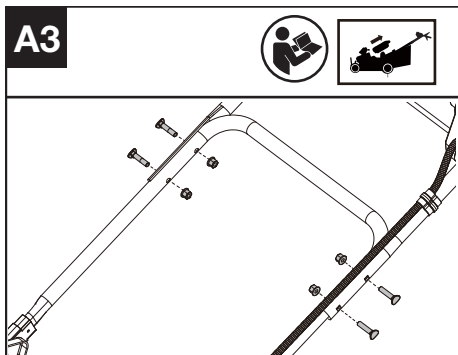
 **FØR BRUK**

Justering av håndtakets høyde og montering av de nedre håndtakene (Se Fig. A1, A2.)

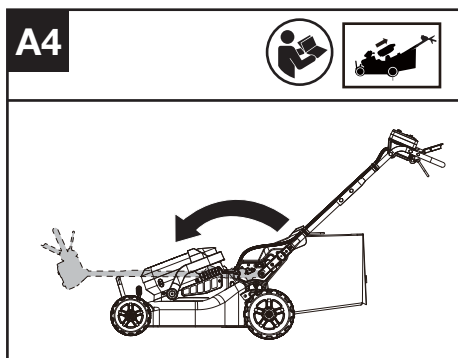
3 høydenivåer kan velges. Velg riktig høyde og dreii høydejusteringsknappen.



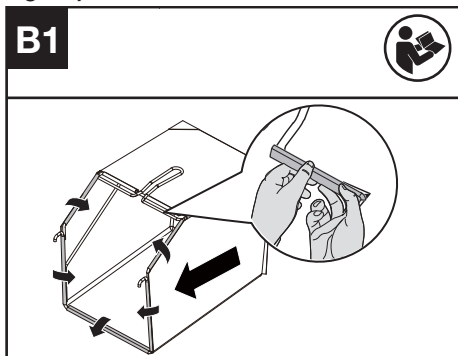
Montering av øvre håndtak (Se Fig. A3)



MERK: Håndtakene kan foldes opp for transport eller lagring utenom sesongen. (Se Fig. A4.)



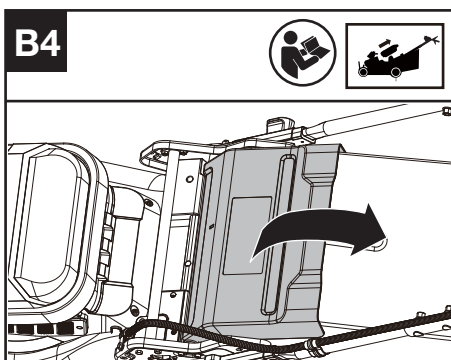
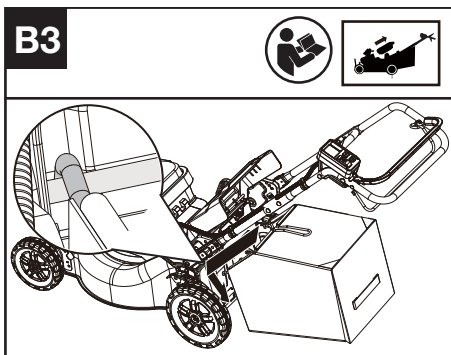
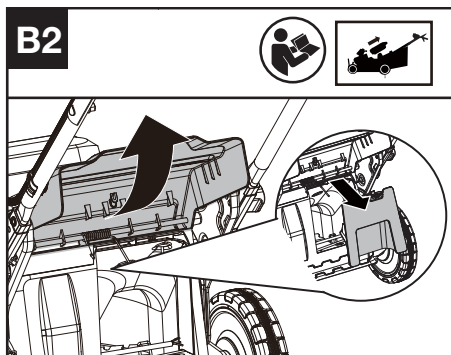
Montering av gressoppsamlingsposen (Se Fig. B1)



Montering av gressoppsamlingsposen til gressklipperen (Se Fig. B2,B3,B4)

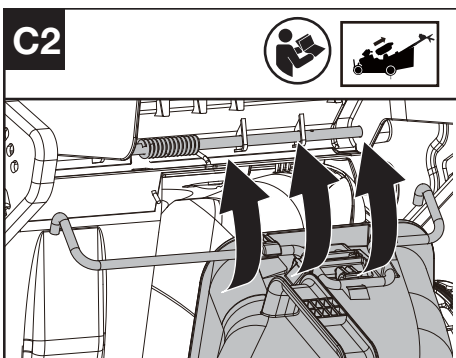
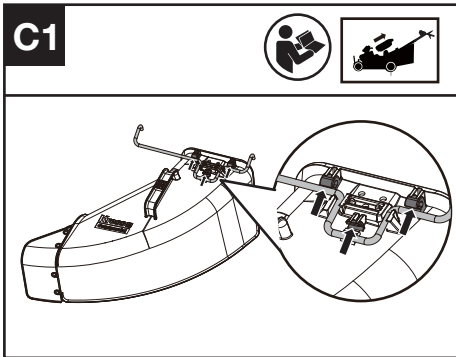
MERK: Trykk gressoppsamlingsposen litt ned for å sikre at den er fullstendig installert.

MERK: Ta bioklippluggen ut av gressklipperen før du monterer gressoppsamlingsposen.



Montering av sideutkast på gressklipperen (Se fig. C1, C2)

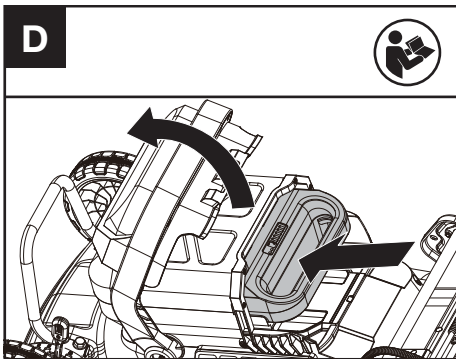
MERK: Ta ut bioklippluggen fra gressklipperen og fjern gressoppsamlingsposen før du monterer sideutkastet.



Kontrollere batteriets ladetilstand og lade batteripakken

MERK: Batteriene sendes uoppladet. Batteriet må være fulladet før første klipping. Flere detaljer finner du i manualen til batteriet og laderen.

Sette inn/ta ut batteriet (Se Fig. D)



Sjette kontrollene

1. Fjern batteriet.
2. Prøv å trykke på/av-bryteren, startknappen for klippebladet eller klippehastighetskontrollen. Hvis på/av-bryteren, startknappen for klippebladet

eller klippehastighetskontrollen setter seg fast og ikke kan springe tilbake til sin opprinnelige posisjon, må du slutte å bruke gressklipperen og kontakte serviceagenten.

3. Prøv å trekke og løsne driftsøylen eller den selvgående koblingsøylen. Hvis driftsøylen eller den selvgående koblingsøylen setter seg fast og ikke kan springe tilbake til sin opprinnelige posisjon, må du slutte å bruke gressklipperen og kontakte serviceagenten.
4. Roter den selvgående hastighetskontrollen. Hvis den selvgående hastighetskontrollen setter seg fast, slutt å bruke gressklipperen og kontakt serviceagenten.

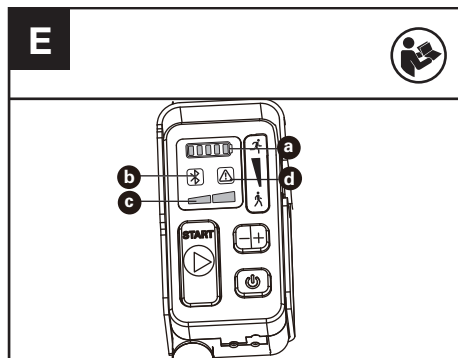
Kontrollere skjermen (Se Fig. E)

1. Monter batteriet.
2. Fortsett å trykke på/av-bryteren og batteriindikatoren (a) og klippehastighetsindikatoren (c) lyser opp.
3. Trykk på startknappen for klippebladet og trekk i driftsøylen for å starte maskinen.
4. Hvis advarselsindikatoren (d) blinker, se **Feilsøking** for løsninger.
5. Slipp driftsøylen. Bladet slutter å rotere etter en kort forsinkelse. Hvis gressklipperen ikke kan stoppe, fjern batteriet og kontakt serviceagenten.

LED-indikatorer

- | | |
|----|---------------------------|
| a. | BATTERIINDIKATOR |
| b. | BLUETOOTH-INDIKATOR |
| c. | KLIPPEHASTIGHETSINDIKATOR |
| d. | VARSELSINDIKATOR |

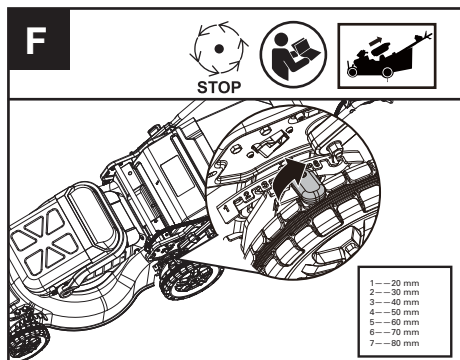
MERK: Varselsindikatoren blinker rødt eller gult når maskinen ikke fungerer som den skal. Hvis det røde lyset blinker, må du kontakte forhandleren. Hvis det gule lyset blinker, må du slå av maskinen, ta ut batteripakken, sette inn batteripakken igjen og slå på maskinen. Hvis det gule lyset fortsetter å blinke, må du kontakte forhandleren.



Justere klippehøyde (Se Fig. F)

Juster klippehøyden med justeringsspakene for klippehøyde på for- og bakhjulet.

MERK: Pass på at for- og bakhjulene holdes i samme posisjon når du justerer høyden.



ADVARSEL! Stopp, slipp Driftsbøyle og vent til motoren stopper før du justerer høyden. Knivene fortsetter å rotere etter at maskinen er slått av, et roterende kniv kan forårsake skade. Ta ikke på de roterende knivene.

DRIFT

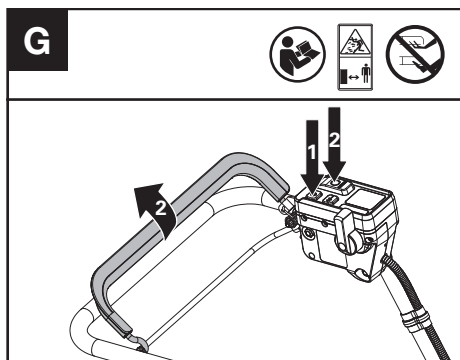
Starte og stoppe gressklipperen (Se Fig. G)

1. Trykk på/av-bryteren.
2. Trykk på startknappen for klippebladet (hold den nede) og trekk i driftsbøylen for å starte maskinen.
3. Slipp driftsbøylen for å stoppe.

ADVARSEL! Bladet fortsetter å rotere etter at gressklipperen er slått av. Vent til det har stoppet helt.

MERK: For å starte trykker du på startknappen for klippebladet og trekker i driftsbøylen samtidig.

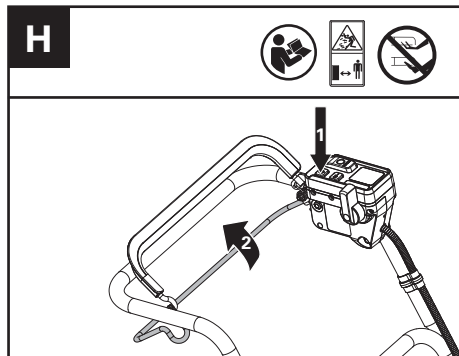
MERK: Fortsett å trykke på av/på-bryteren og skjermen lyser opp. Displayet vil automatisk slå seg av hvis det ikke er noen operasjon innen 60 sekunder.



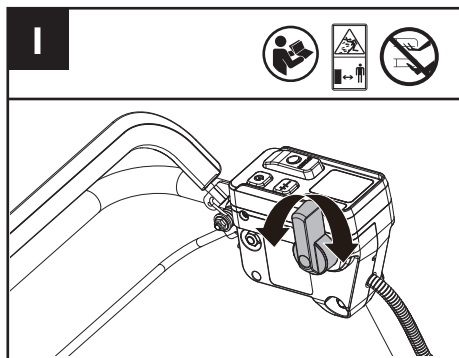
Betjening av det selvgående systemet (Se fig. H)

1. Trykk på/av-bryteren.

2. Trekk i den selvgående koblingsbøylen for å starte det selvgående systemet.
3. Slipp den selvgående koblingsbøylen for å stoppe.

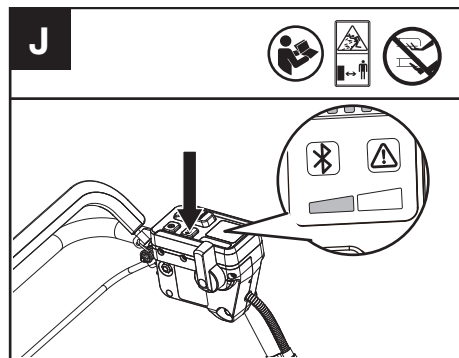


Velge selvgående hastighet (Se Fig. I)



Velge klippehastighet (Se Fig. J)

2 klippehastighetsnivåer kan velges avhengig av applikasjonen. Bruk +/- for å kontrollere hastigheten, som vist av LED-indikatorene. Jo høyere klippehastighetsnivået er, desto raskere går verktøyet.



KOMPOSTERING GRESSKLIPPER TIPS

Når du komposterer er din nye gressklipper utviklet for å klippe gresset til små biter og fordele dem tilbake på plenen. Under normale omstendigheter vil det komposterte gresset brytes ned og bidra med økologisk næringer til plenen.

Vennligst ta til ettersyn følgende anbefalinger for optimal komposterings ytelse.

- 1) Unngå klipping når gresset er vått av regn eller dugg. Vått gress kan danne klumper som forstyrrer bioklippingen og reduserer driftstiden.
- 2) For best komposterings ytelse still inn klippehøyde på omtrent en tredjedel av gressknivens lengde, ideelt sett ikke mer enn 40mm på en gang. Hvis plenen er overgrodd kan det være nødvendig å øke klippehøyden for å redusere krefter for dytting og forhindre overbelastning av motoren. For ekstremt tung kompostering er det hensiktsmessig å først klippe på en høy klippehøyde innstilling og deretter klippe en gang til for endelig klippehøyde. Ellers, mindre og saktere klipping.
- 3) For best ytelse bør du holde gressklipperhuset fritt for oppsamling av gress. Slå tidvis av gressklipperen og vent til bladene stopper helt. Ta ut batteriene og snu gressklipperen på siden. Bruk en gjenstand som en pinne til å tørke bort all opphopning av gress rundt bladområdet. Vær forsiktig med de skarpe kantene på bladet. Sørg for å rengjøre bladområdet ofte når du klipper vått eller nytt gress og hver gang etter maskinen brukes.
4. Visse typer av gress og gress omstendigheter kan kreve at et område blir kompostert en gjentatt gang for å fullstendig distribuere gresset over plenen. Hvis gresset blir klipt en gang til er det hensiktsmessig å klippe perpendikulært (på tverst av) det første klippe mønsteret. **ENDR IKKE KLIPPE MØNSTER PÅ NOEN MÅTE SOM KAN FORÅRSAKE KLIPPING NEDOVER EN BAKKE.**
5. Endr ditt klippe mønster fra uke til uke. Dette kan hjelpe til å forhindre mattelse og frøing av plenen.
- 6) Ikke klipp i skråninger som har en vinkel på mer enn 18°.

KLIPPEOMRÅDE

Klippeområdet kan påvirkes av flere faktorer, som skjærehøyde, plenens tuktighet, samt lengden og tettheten til gresset. I tillegg kan ofte start og stopp av gressklipperen for mange ganger under bruk redusere klippeområdet.

TIPS:

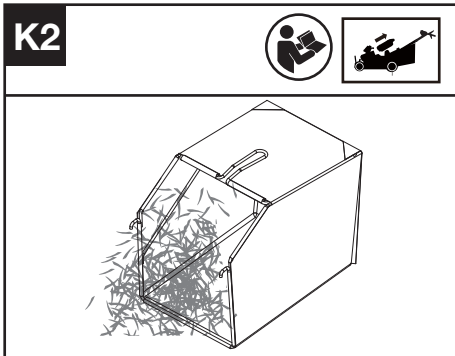
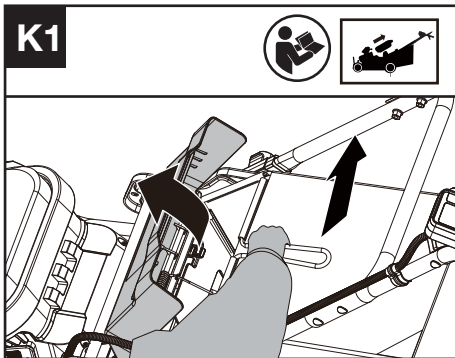
- 1) Det anbefales at du klipper plenen oftere. Gå med normal fart, og ikke start/stopp klipperen for ofte i løpet av bruk.
- 2) For best ytelse sørg for at batteripakken er fulladet og alltid avklipper 1/3 eller mindre av gressshøyden. Det anbefales å installere et nytt blad før klippesesongen starter.
- 3) Gå sakte når du klipper langt gress slik at klippingen blir mer effektiv og det avklippede gresset kastes riktig.
- 4) Unngå å klippe vått gress, det vil kleve seg til

undersiden av maskinen og avklippet kan ikke samles eller kastes skikkelig.

- 5) En høyere klippehøyde skal brukes på nytt eller tykt gress, og dette vil forlenge batterivarigheten.

Fjerne/tømme gressoppsamlingsposen (Se Fig. K1, K2)

⚠ ADVARSEL! Kontroller alltid at sikkerhetsklaffen har lukket utløpet før bruk. Løft aldri sikkerhetsklaffen eller fjern bioklippluggen når gressklipperen brukes uten monterte gressoppsamlingspose.



FOR BATTERIVERKTØY

Den anbefalte omgivelsestemperaturområdet for utlading er -20 °C~45 °C(-4 °F~113 °F). Anbefalt omgivelsestemperatur for ladesystemet under lading er -5 °C~45 °C (23 °F~113 °F).

Detaljer angående sikker avhending av brukte batterier:

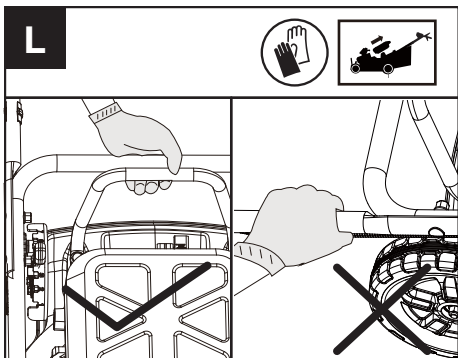
Ved slutten av apparatets levetid må du fjerne batteripakken forsiktig før du avhender apparatet. Ikke kast batterier eller kast dem i vanlig søppelbøtte. Ikke kast heller batteriet sammen med maskinen. Fjern den brukte batteripakken fra apparatet og kast den på nærmeste eller mest praktiske dedikerte gjenvinningsstasjon. Ta kontakt med din lokale miljøvernnavdeling hvis du er i tvil. Batterier kan

komme inn i vannkretsløpet hvis de blir kastet feil, noe som kan være skadelig for økosystemet. Kast ikke avfall/batterier som usortert kommunalt avfall.

TRANSPORT

Transportere gressklipperen

1. Slå av gressklipperen og ta ut batteriet.
2. Når du transporterer klipperen din kan selvdrevet brukes uten å koble klippebladet.
3. For å løfte gressklipperen anbefales det at to personer løfter fra hver side av gressklipperen ved å bruke motorvernet og tilkoblingsområdene for nedre håndtak som håndtak. Når maskinen løftes i sammenfoldet tilstand, skal du gripe i motorvernet, ikke håndtakene. (Se Fig. L)



Transportere batteriet

1. Sørg for at batteriet er i sikker stand.
2. Bruk ikke-ledende emballasje når du transporterer batteriet.
3. Innholdet av Li-Ion-batterier er underlagt kravene i lov om farlig gods. Transporter batterier kun når batterikammeret er uskadet. Pakk batteriene inn på en slik måte at de ikke kan forflytte seg i emballasjen.

VEDLIKEHOLD



ADVARSEL! Stopp gressklipperen og ta ut batteriet før du fjerner gressoppsamlingsposen.

MERK: For å forsikre lang og pålitelig bruk, utfør følgende vedlikeholds prosedyrer med jevne mellomrom. Sjekk for åpenbare feil slik som en løs, feilplassert eller skadet kniv, løse tilbehør og utbrukte eller skadede deler. Sjekk at deksel og beskyttelse ikke er skadet og korrekt montert til gressklipper. Utfør det nødvendige vedlikehold eller reparasjoner før bruk av gressklipper. Hvis gressklipper skulle feile selv om vedlikehold har blitt utført vennligst kontakt vår kunde hjelpline for råd.

SLIPING AV BLADET

HOLD BLADET SKARPT FOR Å OPPNÅ DEN BESTE GRESSKLIPPERYTTELSEN. ET SLØVT BLAD KLIPPER IKKE GRESSET RENT ELLER BIOKLIPPER RIKTIG. BRUK ØYEVERN OG KUTTSIKRE HANSKER MENS DU FJERNER, SLIPER OG MONTERER BLADET.

MERK: Skjerp eller skift ut bladet etter hver 50. time. Sand sløver bladet raskt. Hvis plenen din har sandjord, kan hyppigere sliping eller utskifting være nødvendig.

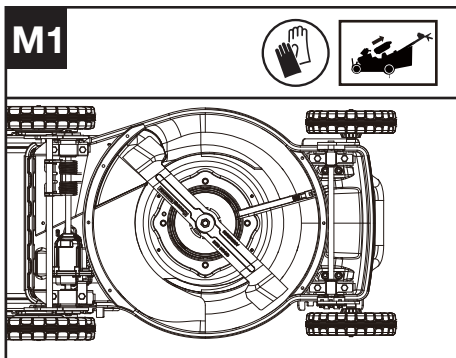
SKIFT UT BØYD ELLER SKADET BLAD UMIDDELBART.

NÅR BLADET SKJERPES

1. Bruk en trekloss for å hindre at bladet snur seg.
2. Bruk en pipenøkkel og fjern bladbolten og deretter bladet. (Se avsnittet om bladfjerning)
3. Klem bladet i en skrustikke eller lignende for å hindre at det beveger seg under sliping.
4. Slip klippekantene i begge ender av bladet. Sørg for at samme mengde materiale fjernes fra begge ender for å holde bladet balansert.
5. Sjekk bladbalansen. (Se avsnittet om bladbalansering.)
6. Sett bladet tilbake i motsatt rekkefølge til demonteringen.
7. Sørg for å stramme bladbolten til det nødvendige dreiemomentet (25 Nm).

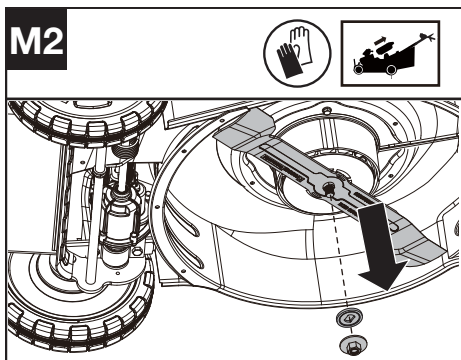
MERK:

1. Pass på at gressklipperen er slått av og ta ut batteriet.
2. Vipp gressklipperen på siden som vist i figur M1.



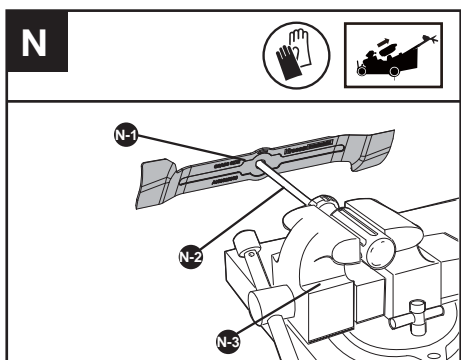
NOR

FJERNING AV BLAD (SE FIG. M2)



KNIV BALANSERING (SE FIGUR N)

Sjekk balansen til kniv ved å plassere sentrums hullet til kniv N-1 over skrujernsskafte N-2, fastspent horisontalt i en skrustikke N-3. Hvis en ende av kniven roterer nedover, fil den enden. Kniven er korrekt balansert hvis ingen av endene faller nedover.



UTSKIFTING AV BLAD

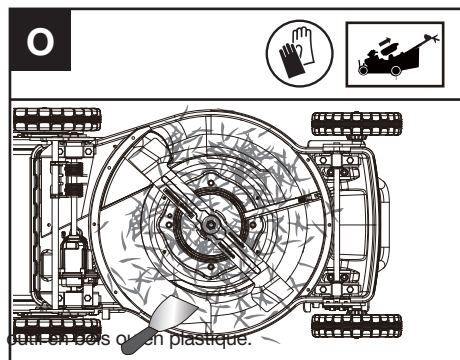
-Det foreslås å bytte ut forskjellige klippeblad i henhold til forskjellige arbeidsforhold for å oppnå et bedre bruksresultat.

BLAD	FUNKSJON
Høyt løfteblad	Anbefal for sekkfylling
Gator-blad	Anbefalt for bioklipping

1. Slå av gressklipperen og ta ut batteriet.
2. Ikke bruk aggressive vaskemidler eller løsemidler. Rengjør maskinen etter bruk med en fuktig klut dyppet i nøytralt vaskemiddel.
3. Hold kontakten fri for fremmedlegemer, og rengjør den med en myk og tørr børste eller klut.
4. Ikke spray vann på motoren og elektriske komponenter.
5. Ikke rengjør maskinen med et trykkvaskeaggregat.

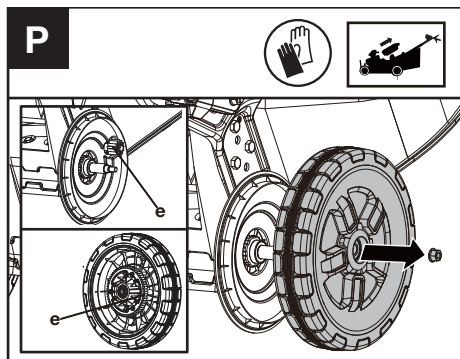
Rengjøring av dekk og bladområdet (Se Fig. O)

Rensing av klippet gress og rusk fra dekk og bladområdet. Hvis klippet gress har samlet seg i et område, fjernes det med et tre- eller plastredskap.



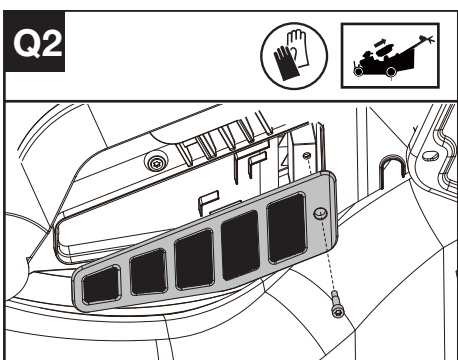
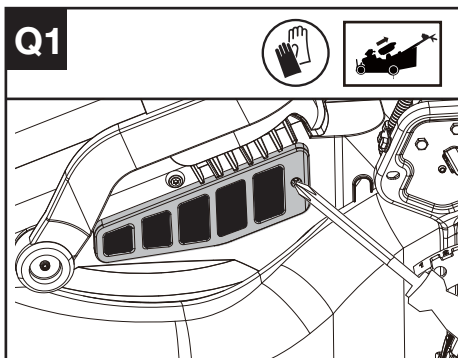
Rengjøre hjulene (Se fig. P)

- Slå av gressklipperen og ta ut batteriet.
- Rengjør hjulene hver 50. time, eller oftere under ekstreme forhold.
- Fjern bakhjulene og rengjør klippet gress og rusk fra hjulgirområdet.
- Det anbefales å påføre en liten mengde glidemiddel på tannhjulene(e) etter rengjøring.



Rengjøre luftfilteret (Se Fig. Q1, Q2)

1. Rengjør området rundt luftfilteret. Bruk en fuktig klut eller en myk børste.
2. Skru av og fjern luftfilteret.
3. Vask luftfilteret med rennende vann for å fjerne smuss.
4. La luftfilteret lufttørke. Installer det deretter i kammeret ved å stramme skruen.



OPPBEVARING

1. Slå av gressklipperen og ta ut batteriet.
2. Rengjør maskinen nøye utvendig med en myk børste og klut. Ikke bruk løse- eller poleringsmidler. Fjern alt gress og rusk, spesielt fra ventilasjonsåpningene, bioklippingsplaten, bladområdet og hjulene.
3. Oppbevar maskinen på et tørt sted, der det er utilgjengelig for barn og andre uvedkommende. Ikke plasser andre objekter på toppen av maskinen.
4. For å lette oppbevaring, fold sammen håndtaket.
5. Kun oppbevare batteriet innenfor et temperaturområde på mellom 5 °C (41 °F) og 25 °C (77 °F). For eksempel, ikke la batteriet ligge i bilen om sommeren.
6. Etter at maskinen og batteriet er blitt våte i regn under drift, anbefales det at de tørkes før lagring eller lading. Hvis maskinen ikke kan slås på, ta ut batteriet og sett det inn igjen.

FEILSØKING

Tabellen under viser problemer og tiltak du kan gjennomføre dersom maskinen ikke fungerer som den skal.




ADVARSEL: Slå av maskinen og fjern batteriet før all feilsøking.

PROBLEMER	FEILRETTEDE TILTAK
1. Gressklipperen kjører ikke når driftsbøylen er aktivert.	A. Sjekk at klippebladets startknapp er helt trykket inn. B. Utløs driftsbøylen for å slå gressklipperen av. Ta ut batteriet, snu gressklipperen på siden og sjekk at bladet kan dreies fritt. Hvis ikke må gressklipperen leveres til et autorisert serviceverksted. Bladet skal kunne dreie fritt. C. Er batteriet fulladet? Koble til laderen og vent til det grønne lyset tennes. D. For å starte trykker du på startknappen til klippebladet og trekker i driftsbøylen samtidig.
2. Motoren stopper under klipping.	A. Utløs driftsbøylen for å slå av gressklipperen. Ta ut batteriet, snu gressklipperen på siden for å sjekke om gressklipperen er tilstoppet med gressrester. Fjern rusk fra bladets rotasjonsområde. Sjekk deretter at bladet er fritt til å dreie. Hvis ikke må gressklipperen leveres til et autorisert serviceverksted. Bladet skal kunne dreie fritt. B. Hev hjulenes klippehøyde til høyeste posisjon, og start gressklipperen. C. Er batteriet ladet helt opp? Sett inn kontakten til laderen og vent til det grønne lyset tennes. D. Ikke overbelast gressklipperen. Senk farten, eller hev klippehøyden. Eller begge deler.
3. Gressklipperen er i gang, men klippeytelsen er utilfredstillende, eller klipper ikke hele plenen.	A. Er batteriet ladet helt opp? Sett inn kontakten til laderen og vent til det grønne lyset tennes. B. Utløs driftsbøylen for å slå gressklipperen av. Fjern batteriet. Snu gressklipperen og kontroller: Bladet for skarphet. Hold bladet skarpt. Underside og utløpsrenne for tilstopping. C. Innstillingen av hjulhøyden kan være for lav for gressforholdene. Hev klippehøyden.
4. Det er unormalt tungt å skyve gressklipperen.	A. Hev klippehøyden for å hindre at gressklipperen sleper i bakken. Kontroller at hvert hjul roterer fritt.
5. Gressklipperen bråker unormalt mye og vibrerer.	A. Utløs driftsbøylen for å slå av gressklipperen. Fjern batteriet. Snu gressklipperen på siden og kontroller bladet for å sikre at det ikke er bøyd eller skadet. Hvis bladet er skadet, skift det ut med et nytt blad. Hvis undersiden av klipperen er skadet, returner klipperen til et autorisert servicesenter. B. Hvis det ikke er noen synlig skade på bladet og gressklipperen fortsatt vibrerer: Utløs driftsbøylen for å slå av gressklipperen, ta ut batteriet og fjern bladet. Roter bladet 180 grader og trekk til igjen. Hvis gressklipperen fortsatt vibrerer, returner klipperen til et autorisert servicesenter.
6. Batteriladerens LED-lys er ikke på.	A. Sjekk kontaktkoblingen. B. Bytt ut laderen.
7. LED-lampen veksler ikke til grønt lys.	A. Batteriet må sjekkes. Lever klipperen til et autorisert servicesenter.

8. Gressklipperen samler ikke opp gresset.	A. Bakre renne er tilstoppet. Utløs driftsbøylen for å slå av gressklipperen. Fjern batteriet. Rengjør rennen for klippet gress. B. For mye klippet gress. Øk klippehøyden på hjulene for å forkorte lengden på klippet. C. Posen full. Tøm posen oftere.
9. Når du samler opp gress, er avklippet synlig.	A. Det klippes for mye gress. Hev hjulenes klippehøyde for å klippe mindre gress. Ikke klipp mer enn 1/3 av total lengde. B. Sjekk om bladet er skarpt. Bladet må alltid holdes skarpt. C. Reduser hastigheten hvis gresset er høyt eller ekstremt tykt.
10. Liten eller redusert kjøretid etter mye bruk.	A. Lever til autorisert serviceverksted – den kan trenge nytt batteri.
11. Varselindikatoren blinker.	A. Slå av maskinen, ta ut batteripakken, sette batteripakken tilbake og slå på maskinen. B. Kontakt serviceagent.

TEKNISKE DATA

Typebetegnelse: **KC720 KC720.X (720-betegnelse på maskineri, tilsvarende for SP-gressklipper med forsterket ståldeksel)**

	KC720 KC720.X **
Spenning	60V  Max***
Dekkmateriale	Forsterket stål -1.8 mm
Klippebredde	47 cm
Maks. SP-hastighet	6.4 km/h
Klippehøyde	20-80 mm
Klippehøydeposisjoner	7
Gressoppsamlingskapasitet	70 L
Grad av beskyttelse	IPX4
Kjøretid	70min@11Ah****
Maskinvekt (bart verktøy)	38 kg

** X = 1-999, A-Z, M1-M9 er kun for forskjellige kunder, det er ingen sikkerhetsrelaterte endringer mellom disse modellene.

*** Spenning målt uten arbeidsbyrde. Innledende batterispenning når maksimalt 60 volt. Nominell spenning er 54 volt.

**** Kjøretiden kan variere avhengig av hvordan verktøyet brukes samt gressforholdene. Det valgte klippehastighetsnivået påvirker batteriets varighet. Jo lavere klippehastighetsnivå, jo lengre kjøretid.

FORESLÅTTE BATTERIER OG LADERE


Batteri	Kapasitet	Lader	Amperage
KAC810	11 Ah	KAC840	30 A

Vi anbefaler at du kjøper tilbehøret fra den samme forhandleren som solgte deg verktøyet. Se tilbehøremballasjen for mer informasjon. Din forhandler kan hjelpe deg og gi råd.

DATA FOR BATTERIPAKKE (VALGFRITT)

Frekvensbånd for Bluetooth	2400-2483.5 MHz
Maksimal overført kraft for Bluetooth	8 dBm

STØYINFORMASJON

Belastning lydtrykk	$L_{pA} = 83.2 \text{ dB(A)}$
K_{pA}	3 dB(A)
A weighted sound power- Belastning lydeffekt	$L_{wA} = 95.84 \text{ dB(A)}$
K_{wA}	0.65 dB(A)
Bruk hørselsvern	

VIBRASJONS INFORMASJON

Typical weighted vibration	$a_h < 2.5 \text{ m/s}^2$
Uncertainty	$K = 1.5 \text{ m/s}^2$


⚠ ADVARSEL: Vibrasjonsutslippsverdien under faktisk bruk av verktøyet kan avvike fra oppgitt verdi, avhengig av måten verktøyet brukes på og følgende eksempler og andre variasjoner i hvordan verktøyet brukes:
Hvordan verktøyet brukes og hvilke materialene som blir kuttet eller drillet.
Verktøyet er i god stand og godt veldlikeholdt.
Bruk av riktig tilbehør for verktøyet, og sørg for at det er skarpt og i god stand.
Hvor stramt grepet på håndtakene er, og om det brukes antivibrasjonstilbehør.
Og at verktøyet blir brukt til det formålet det er tilsiktet i henhold til designet og disse instruksjonene.

Dette verktøyet kan forårsake hånd-arm vibrasjonssyndrom, hvis det ikke brukes riktig.

⚠ ADVARSEL: For å være nøyaktig, bør også et overslag over eksponeringsnivå under faktiske bruksforhold også tas med i betraktning i alle deler av driftssyklusen, slik som når verktøyet er skrudd av og når det går på tomgang, men ikke faktisk gjør jobben. Dette kan redusere eksponeringsnivået betraktelig over hele arbeidsperioden.
For å hjelpe til å minimere risikoen for vibrasjonseksponering.
Bruk ALLTID skarpe meisler, drillere og blad.
Vedlikehold verktøyet i henhold til disse instruksjonene og sørg for at det er godt smurt (der det er hensiktsmessig).
Hvis verktøyet skal brukes regelmessig, invester i

antivibrasjonstilbehør.
Planlegg arbeidstidplanen din slik at du sprer bruk av høyvibrasjonsverktøy utover flere dager.

MILJØVERNILTAK

 Avfall etter elektriske produkter må ikke legges sammen med husholdningsavfall. Vennligst resirkuler avfallet der dette finnes. Undersøk hos de lokale myndighetene eller en detaljist for resirkuleringsråd.

SAMSVARERKLÆRING

Vi,
Positec Germany GmbH
Postfach 680194, 50704 Cologne, Germany

På vegne av Positec erklærer at produktet
Beskrivelse **Batteridrevet gressklipper**
Typebetegnelse **KC720 KC720.X (720-betegnelse på maskineri, tilsvarende for SP-gressklipper med forsterket ståldeksel)**
Funksjon **gressklipping**

Samsvarer med følgende direktiver,
2006/42/EC, 2014/30/EU, 2011/65/EU & (EU) 2015/863, 2000/14/EC revidert ved 2005/88/EC

2000/14/EC revidert ved 2005/88/EC:
- Tilpassningsbedømmelse Utført ifølge **Anneks VI**
- Målt Lydkraftnivå **95.84 dB (A)**
- Erklært Garantert Lydkraftnivå **96 dB (A)**

Den notifikerte gruppen involvert
Navn: TÜV Rheinland LGA Products GmbH
(Den notifikerte gruppen involvert 0197)
Adresse: Tillystraße 2-90431 Nürnberg

Standardene samsvarer med
EN 62841-1, EN IEC 62841-4-3, EN ISO 3744, EN IEC 55014-1, EN IEC 55014-2, EN IEC 63000

Personen som er autorisert til å utarbeide den tekniske filen,
Navn **Marcel Filz**
Adresse **Positec Germany GmbH**
Postfach **680194, 50704 Cologne, Germany**



2024/02/05
Allen Ding
Visesjefsingeniør, Testing og Sertifisering
Positec Technology (China) Co., Ltd
18, Dongwang Road, Suzhou Industrial
Park, Jiangsu 215123, P. R. China

INNEHÅLLSFÖRTECKNING

Introduktion.....	315
Komponenter.....	317
Produktsäkerhet.....	318
Montering & hantering.....	321
Transport.....	326
Underhåll.....	326
Rengöring.....	327
Förvaring.....	328
Felsökning.....	329
Tekniska data.....	330
Miljöskydd.....	331
Deklaration om överensstämmelse.....	331

sv

INTRODUKTION

Bästa kund,

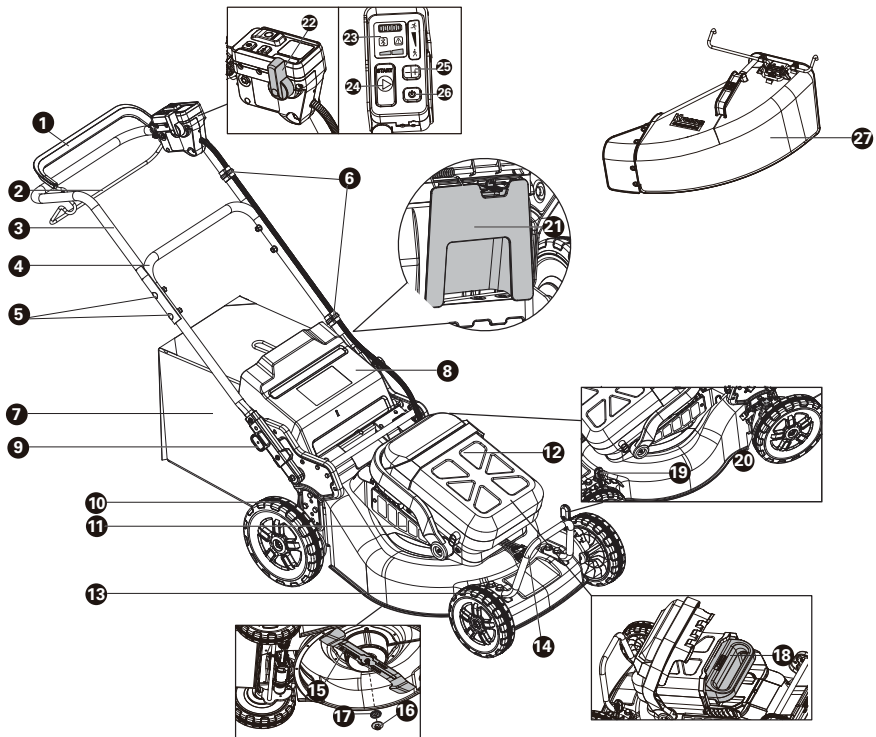
Tack för ditt köp av denna produkt från Kress Commercial. Vi är engagerade i vår strävan att utveckla produkter av hög kvalitet som uppfyller kraven för din kommersiella trädgårdsanläggning.

Kress som varumärke är synonymt med förstklassig service. Skulle du ha några frågor eller funderingar om din produkts livslängd, kan du kontakta din återförsäljare eller vårt kundtjänstteam för hjälp.

Vi är övertygade om att du kommer att trivas med att arbeta med din produkt från Kress i många år framöver.

DRIFT INSTRUKTIONER

Denna produkt är avsedd för kommersiell gräsklippning.



SV

KOMPONENTER

1. DRIFTHANDTAG (KNIVAKTIVERING)
2. SJÄLVGÅENDE DRIFTHANDTAG
3. ÖVRE HANDTAG
4. NEDRE HANDTAG
5. HANDTAGSHÅLLARE
6. KABELKLÄMMA
7. PÅSE FÖR GRÄSSAMLING
8. SÄKERHETSLUCKA
9. KNAPP FÖR HÖJDJUSTERING
10. BAKRE HJUL
11. LUFTFILTER
12. BATTERIFACKETS LOCK
13. FRÄMRE HJUL
14. MOTORSKYDD
15. KNIV
16. KNIVBULT
17. BRICKA
18. BATTERIPAKET*
19. FRÄMRE SPAK FÖR KLIPPHÖJDSJUSTERING
20. BAKRE SPAK FÖR KLIPPHÖJDSJUSTERING
21. MULCHPLUGG
22. SJÄLVGÅENDE HASTIGHETSKONTROLL
23. LED-INDIKATORER
24. STARTKNAPP FÖR KNIVBLAD
25. HASTIGHETSKONTROLL FÖR KLIPPNING
26. STRÖMBRYTARE
27. SIDOUTKASTRÄNNA*

* Alla tillbehör beskrivna eller avbildade nedan medföljer inte standardprodukten.

BRUKSANVISNING I ORIGINAL PRODUKTSÄKERHET GENERELLA SÄKERHETS- VARNINGAR FÖR ELVERK- TYG



WARNING: Läs alla säkerhetsföreskrifter, instruktioner, illustrationer och specifikationer som följer med detta elverktyg. Underlåtelse att följa instruktionerna nedan kan leda till elstöt, brand och/eller allvarlig skada.

Spara alla varningar och instruktioner för framtida bruk.

Termene "strömförande verktyg" i alla varningsmeddelande nedan avser ditt (sladdverktyg) strömförande verktyg eller batteridrivna (sladdlösa) strömförande verktyg.

1) ARBETSOMRÅDET

- a) Håll arbetsområdet rent och väl upplyst. Skräpiga och mörka områden är skaderisker.
- b) Använd inte strömförande verktyg i explosiva miljöer, som nära brandfarliga vätskor, gaser eller damm. Strömförande verktyg skapar gnistor som kan antända damm eller ångor.
- c) Håll barn och åskådare borta när du använder ett strömförande verktyg. Distractioner kan göra att du förlorar kontrollen.

2) ELSÄKERHET

- a) Stickkontaktarna till verktyget måste matcha eluttaget. Modifiera inte stickkontakten på något sätt. Använd inte adapterkontakter i samband med jordade strömförande verktyg. Omodifierade stickkontakter och matchande eluttag minskar risken för elstötar.
- b) Undvik kroppskontakt med jordade ytor som rör, element, pisar och kylskåp. Det finns en större risk för elstötar om din kropp är jordad.
- c) Använd inte maskinen i regn eller under våta förhållanden. Detta kan öka risken för elektriska stötar.
- d) Missbruka inte sladden. Använd aldrig sladden för att strömförande verktyget. Håll sladden borta från hetta, olja, skarpa kanter eller rörliga delar. Skadade eller tilltrasslade sladdar ökar risken för elstötar.
- e) När du använder ett strömförande verktyg utomhus använder du en förlängningssladd som lämpar sig för utomhus bruk. Använder du en sladd för utomhus bruk reducerar du risken för elstötar.
- f) Om det inte går att undvika att driva ett elverktyg i en fuktig lokal, använd då en restströmsskyddad (RCD) strömtilförselanordning. Användning av en RCD minskar risken för elektriska stötar.

3) PERSONLIG SÄKERHET

- a) Var uppmärksam, håll ögonen på vad du gör

och använd sunt förnuft när du använder ett strömförande verktyg. Använd inte ett strömförande verktyg när du är trött eller påverkad av droger, alkohol eller läkemedel. En kort stund av ouppmärksamhet med strömförande verktyg kan resultera i allvarliga personskador.

- b) Använd säker utrustning. Använd alltid skyddsglasögon. Säkerhetsutrustning som munskydd, halkfria skor, skyddshjälme eller hörselskydd som används när det behövs kommer att reducera personskador.
 - c) Förhindra ofrivillig start. Se till att kontakten är i off-läge innan du ansluter till strömkälla och/eller batterienhet, tar upp eller bär med dig verktyget. Bär du strömförande verktyg med fingret på kontakten eller sätter i stickkontakten i elluttaget när kontakten är i PÅ-läge utgör det en skaderisk.
 - d) Ta borta alla skiftnycklar eller skruvnycklar innan du sätter på det strömförande verktyget. En skift- eller skruvnyckel som lämnas kvar på en roterande del på ett strömförande verktyg kan orsaka personskador.
 - e) Sträck dig inte för långt. Bibehåll alltid fotfästet och balansen. Detta gör att du kan kontrollera verktyget bättre i oväntade situationer.
 - f) Klä dig rätt. Använd inte löst sittande kläder eller smycken. Håll ditt hår och dina kläder borta från rörliga delar. Lösa kläder, smycket eller långt hår kan snärjas in i rörliga delar.
 - g) Om det på enheterna finns anslutning för dammsug och dammupsamling ser du till att de är anslutna och används korrekt. Använder du dessa anordningar reducerar det dammrelaterade faror.
 - h) Låt inte förtrogenhet, tack vare frekvent användning av verktyget, lura dig att känna dig för trygg med det och därmed ignorera säkerhetsföreskrifterna. En vårdslös handling kan orsaka allvarlig skada inom loppet av en sekund.
- ## 4. ANVÄNDNING OCH UNDERHÅLL AV STRÖMFÖRANDE VERKTYG
- a) Forcera inte det strömförande verktyget. Använd korrekt verktyg för arbetet. Det korrekta verktyget kommer att göra jobbet bättre och säkrare med den hastighet den tillverkats för.
 - b) Använd inte verktyget om kontakten inte sätter på eller stänger av det. Alla strömförande verktyg som inte kan kontrolleras med kontakten är farliga och måste repareras.
 - c) Koppla från stickkontakten från strömkällan och/eller batterienheten från elverktyget innan du utför några justeringar, ändrar i tillbehören eller magasinerar elverktygen. Sådana förebyggande säkerhetsåtgärder reducerar risken för att du startar verktyget oavsiktligt.
 - d) Förvara verktyget som inte används utom räckhåll för barn och lit inte någon

person använda verktyget som inte känner till verktyget eller dessa anvisningar.

Strömförande verktyg är farliga i händerna på utbildade användare.

- e) **Håll koll på elverktyget och tillbehören.** Kontrollera inriktningen eller fästet för rörliga delar, defekta delar och alla andra saker som kan påverka användningen av elverktyget. Om den skadats måste elverktyget repareras före användning. Många olyckor orsakas av felaktigt underhållna elverktyg.
- f) **Håll sågverktyget skarpa och rena.** Korrekt underhållna skärverktyg med skarpa egg kommer inte att köra fast lika ofta och är enklare att kontrollera.
- g) **Använd elverktyget, tillbehören och verktygsbiten etc. i enlighet med dessa anvisningar och på det sätt som avsetts för varje typ av elverktyg.** Ha också i åtanke arbetsförhållandena och arbetet som skall utföras. Använder du elverktyg för åtgärder som skiljer sig det avsedda arbetet kan det resultera i riskfyllda.
- h) **Håll handtag och greppytor torra, rena och fria från olja och fett.** Hala handtag och greppytor ger inte säker hantering och kontroll över verktyget i oväntade situationer.

5. ANVÄNDNING OCH SKÖTSEL AV SLADDLÖSA VERKTYG

- a) **Ladda bara med den laddare som tillverkaren anger.** En laddare som passar en typ av batteripaket kan medföra en risk för brand när den används till ett annat batteripaket.
- b) **Använd elverktyg bara tillsammans med det särskilt konstruerade batteripaketet.** Användning av andra batteripaket kan medföra en risk för personsador och brand.
- c) **När batteripaketet inte används ska det hållas borta från metallföremål som gem, mynt, nycklar, skruvar och andra små metallföremål som kan skapa kontakt mellan batteripaketets poler och kortsluta det.** En kortslutning kan orsaka brännskador och brand.
- d) **Under olyckliga omständigheter kan vätska kommat ur batteriet. Undvik kontakt.** Om den kommer i kontakt med huden, skölj med vatten. Om den kommer i kontakt med ögonen, skölj rikligt med vatten och sök läkarhjälp. Vätska som kommer ut ur batteriet kan orsaka irritation eller brännskador.
- e) **Använd inte ett batteripack eller verktyg som skadats eller modifierats.** Skadade eller modifierade batterier kan uppvisa förväntade beteende som kan leda till brand, explosion eller skada.
- f) **Utsätt inte batteripack eller verktyg för eld eller höga temperaturer.** Eld eller temperaturer som överstiger 130 °C kan orsaka explosioner.
- g) **Följ alla laddningsinstruktioner och ladda inte batteripaketet eller verktyget utanför temperaturintervallen som anges i instruktionerna.** Felaktig laddning eller laddning i temperaturer utanför det angivna

temperaturintervallen kan skada batteriet eller öka brandrisken.

6. UNDERHÅLL

- a) **Låt ditt elverktyg underhållas av en kvalificerad reparatör som bara använder äkta reservdelar.** Det kommer att garantera att elverktygets säkerhet bibehålls.
- b) **Försök aldrig reparera skadade batteripack.** Batteripack får endast underhållas av tillverkaren eller behöriga servicetekniker.

SÄKERHETSVARNINGAR FÖR GRÄSKLIPPARE

- a) **Använd inte gräsklipparen i dåliga väderförhållanden, särskilt inte när det finns risk för blixtnedslag.** Detta minskar risken att bli träffad av blixten.
- b) **Inspektera noggrant området för djurliv och växter där gräsklipparen ska användas.** Djurliv och växter kan komma till skada under drift.
- c) **Inspektera noggrant det område där gräsklipparen ska användas och plocka bort alla stenar, pinnar, kablar, ben och andra främmande föremål.** Kastade föremål kan orsaka personsador.
- d) **Innan gräsklipparen tas i bruk ska kniv och dess montering alltid inspekteras visuellt så att dessa inte är slitna eller skadade.** Slitna och skadade delar ökar risken för personsador.
- e) **Kontrollera gräsuppsamlaren ofta för att upptäcka slitage eller defekter.** En slitnen eller skadad gräsuppsamlare kan öka risken för personsador.
- f) **Låt skyddsanordningen sitta på.** Skyddsanordningen måste fungera och vara korrekt monterad. En skyddsanordning som sitter löst, är skadad eller inte fungerar korrekt kan orsaka personsador.
- g) **Se till att alla luftintag för kylning är fria från skräp.** Blockerade luftintag och skräp kan resultera i överhettning eller risk för brand.
- h) **När gräsklipparen används ska halkfria skyddsskor användas.** Använd inte gräsklipparen när du är barfota eller använder öppna sandaler. Detta minskar risken att skada fötterna vid kontakt med den rörliga kniven.
- i) **Använd alltid långbyxor när du använder gräsklipparen.** Blottad hud ökar sannolikheten för skador från utkastade föremål.
- j) **Använd inte gräsklipparen i vått gräs. Gå alltid, spring inte.** Detta minskar risken för att halka och falla omkull, något som kan resultera i personsador.
- k) **Använd inte gräsklipparen i alltför branta sluttningar.** Detta minskar risken för tappad kontroll eller att man halkar och faller, vilket kan leda till personskada.
- l) **När arbete utförs i sluttningar, var alltid**

säker på ditt fotfäste, arbeta alltid tvärs över slutningar, aldrig upp eller ner och iakttäck extrem försiktighet när du byter riktning. Detta minskar risken för tappad kontroll eller att man halkar och faller, vilket kan leda till personskada.

- m) Iakttäck extrem försiktighet när du backar eller drar gräsklipparen mot dig. Var alltid uppmärksam på omgivningen. Detta minskar risken för att snubbla under användningen.
- n) Rör inte vid kniven och andra farliga rörliga delar när de är i gång. Detta minskar risken för skador från rörliga delar.
- o) När du rensar material som fastnat eller rengör gräsklipparen ska du se till att alla strömbrytare är avstängda och att batteripaketet är bortkopplat. Oförutsedd drift av gräsklipparen kan resultera i allvarliga personskador.

BATTERISÄKERHET SÄKERHETSFORESKRIFTER FÖR BATTERIET

- a) Ta inte isär batteriet, öppna inte heller batteriet eller sära på battericeller.
- b) Kortslut inte batteriet. Förvara inte batteriet på ett slarvigt sätt i en låda där det kan kortsutas eller skadas av ledande material. När batteriet inte används, håll det borta från metallobjekt, såsom pappersgem, pengar, nycklar, naglar, skruvar eller andra små metallobjekt som kan leda ström från en terminal till en annan. Om batteriterminalerna kortsluter varandra kan de förorsaka brandrisk.
- c) Exponera inte batteriet för eld eller värme. Undvik förvaring i direkt solljus.
- d) Utsätt inte batteriet för mekanisk chock.
- e) Om batteriet läcker, låt inte vätskan komma i kontakt med hud eller ögon. Om så ändå skulle hända, skölj med mycket vatten och sök läkarhjälp.
- f) Håll batteriet rent och torrt.
- g) Torka av batteriet om det blir smutsigt med en torr, ren trasa.
- h) Batteriet måste laddas före användning. Använd den här bruksanvisningen för att ladda batteriet korrekt.
- i) Låt inte batteriet stå på laddning när det inte används.
- j) Efter lång tids användning kan det bli nödvändigt att ladda och ladda ur batteriet många gånger för att nå maximal prestanda.
- k) Ladda endast med laddare av varumärket Kress. Använd ingen annan laddare än den som specifikt ska användas med det här batteriet.
- l) Använd inte ett batteri som inte är avsett för användning med det här verktyget.
- m) Håll batteriet borta från barn.
- n) Behåll den ursprungliga bruksanvisningen för



framtida användning.













- o) Plocka ur batteriet från verktyget då det inte används.
- p) Kassera batteriet på rätt sätt.
- q) Blanda inte celler från olika tillverkning, kapacitet, storlek eller typ inom en enhet.
- r) Håll batteriet borta från mikrovågor och högt tryck.
- s) Varning! Använd inte icke-uppladdningsbara batterier.

BRUKSANVISNINGSKRAV FÖR TRÅDLÖS PRODUKT

- a) Enheten får endast användas under förutsättning att följande två villkor är uppfyllda:
 - (1) Enheten får inte orsaka skadlig störning och
 - (2) enheten måste acceptera all mottagen störning, inklusive störningar som kan orsaka oönskad användning.
- b) Försiktighet: Ändringar eller modifieringar av denna enhet som inte uttryckligen godkännts av parten som är ansvarig för dess uppfyllelse kan upphäva användarens rätt att använda utrustningen.
- c) NOTERA: Utrustningen alstrar, använder och kan avge radiofrekvensenergi och om den inte installeras och används i enlighet med instruktionerna kan den orsaka skadliga störningar på radiokommunikation. Det finns dock inte någon garanti för att störning inte inträffar i en specifik installation. Om utrustningen orsakar skadliga störningar vid mottagning av radio- eller tv-mottagning, vilket kan fastställas genom att stänga av och slå på utrustningen, uppmanas användaren att försöka korrigera störningen genom en eller flera av följande åtgärder:
 - Rikta om eller flytta mottagningsantennen.
 - Öka avståndet mellan utrustningen och mottagaren.
 - Anslut enheten till ett uttag som hör till en annan krets än den som mottagaren är ansluten till.
 - Kontakta återförsäljaren eller en erfaren radio- eller TV-tekniker för att få hjälp.

SYMBOLER

	För att minska risken för skador måste användaren läsa bruksanvisningen
	VARNING

	VARNING – Se upp för kastade föremål – håll förbipasserande på avstånd
	VARNING – Håll händer och fötter borta från kniven
	VARNING – Koppla bort batteriet före underhåll
	Blade continues to rotate after the machine is switched off. Wait until all machine components have completely stopped before touching them
	Använd skyddshandskar
	Avlägsna batteriet från hylsan innan justeringar, service eller underhåll utförs.
	Om det inte hanteras ordentligt kan batteriet gå in i vattencykeln och kan skada ekosystemet. Kassera ej använda batterier som sorterat kommunalt avfall.
	Får ej uppeldas
	Hög hastighet
	Låg hastighet
 Li-Ion 	Litiumjonbatteri, som har blivit märkt med symbolerna i samband med "separat samling" av alla batteripack och batteripaket. Det återvinns eller tas bort för att minska miljöpåverkan. Batterier kan vara skadliga för miljön och människors hälsa eftersom de innehåller skadliga ämnen.



Uttjänade elektriska produkter får inte kasseras som hushållsavfall. Återanvänd där det finns anläggningar för det. Kontakta dina lokala myndigheter eller återförsäljare för återvinningsråd.

MONTERING & HANTERING



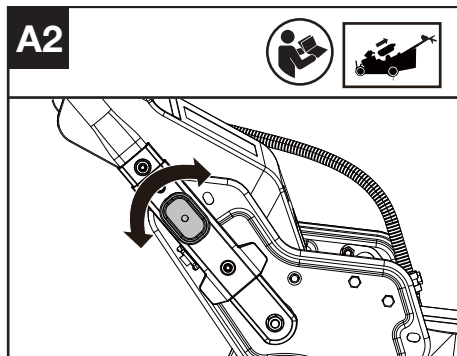
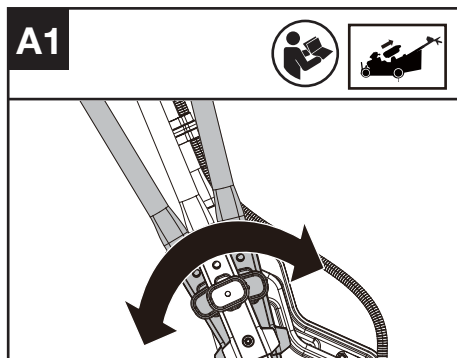
NOTERA: Före användning, läs noga instruktionsboken.



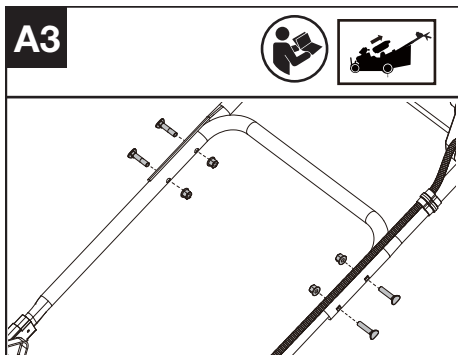
FÖRE ANVÄNDNING:

Justering av handtagshöjd och montering av nedre handtagen. (Se bild A1, A2)

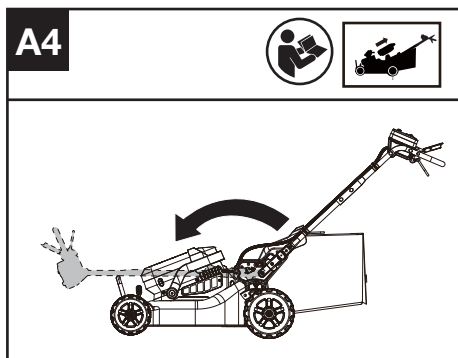
3 höjdnivåer kan väljas. Välj lämplig höjd och vrid på höjdstyret.



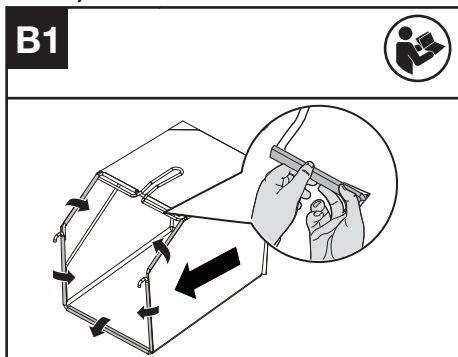
Montering av övre handtaget (Se bild A3)



NOTERA: Handtagen kan fällas upp för transport eller förvaring under lågsäsong. (se fig. A4)



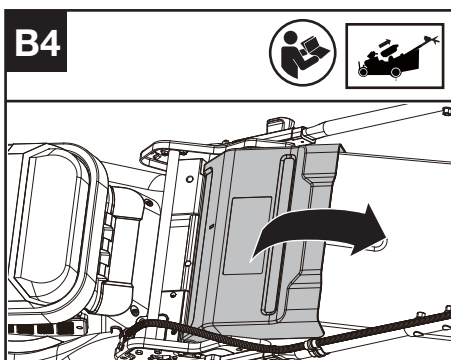
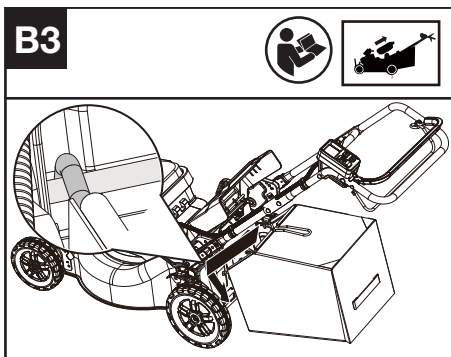
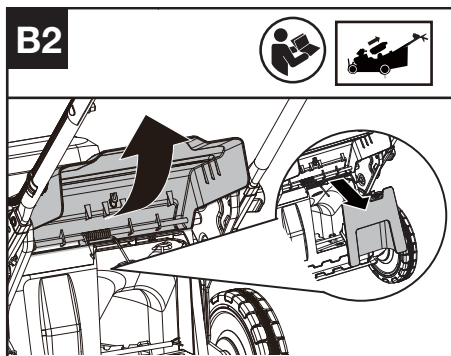
Montering av gräsupsamlingspåsen (Se bild B1)



Montering av gräsupsamlingspåsen på gräsklipparen (Se bild B2,B3,B4)

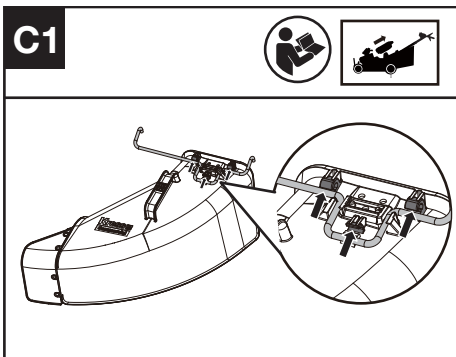
NOTERA: Tryck ner gräsupsamlingspåsen så att den är helt installerad.

NOTERA: Tag ur mulchpluggen ur gräsklipparen innan gräsupsamlingspåsen monteras.



Montering av sidoutkastrännan på gräsklipparen (se bild C1, C2)

OBS: Ta bort mulchpluggen från gräsklipparen och ta bort gräsupsamlingspåsen innan sidoutmatningsrännan monteras.

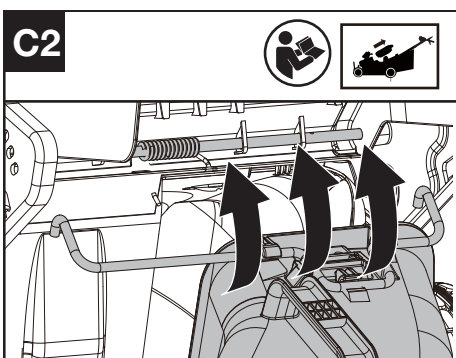


startknapp eller skärhastighetsreglaget. Om strömbrytaren, skärbladets startknapp eller skärhastighetsreglaget fastnar och inte kan fjädra tillbaka till sitt ursprungliga läge, sluta använda gräsklipparen och kontakta serviceverkstaden.

3. Försök att dra och släppa manöverbygeln eller självgående aktiveringsbygeln. Om manöverbygeln eller självgående aktiveringsbygeln fastnar och inte kan fjädra tillbaka till sitt ursprungliga läge, sluta använda gräsklipparen och kontakta serviceverkstaden.
4. Vrid den självgående hastighetskontrollen. Om den självgående hastighetskontrollen fastnar, sluta använda gräsklipparen och kontakta serviceverkstaden.

Kontrollera displayen (Se bild E)

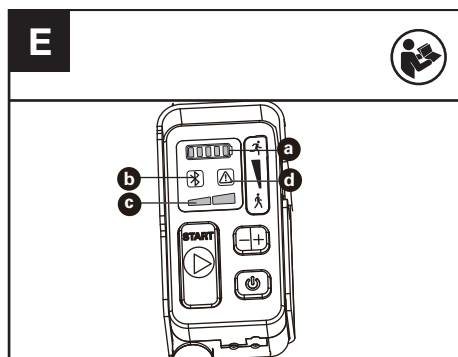
1. Placera batteriet.
2. Försätt att trycka på strömbrytaren tills batteriindikatorn (a) och klippningshastighetsindikatorn (c) tänds.
3. Tryck på skärbladets startknapp och dra i manöverbygeln för att starta maskinen.
4. Om varningsindikatorn (d) blinkar, se **Felsökning** för lösningar.
5. Släpp drifhandtaget. Kniven slutar rotera efter en kort stund. Om gräsklipparen inte stannar tag bort batteriet och kontakta serviceverkstaden.



LED-indikatorer

- | | |
|----|----------------------|
| a. | BATTERILAMPA |
| b. | BLUETOOTHLAMPA |
| c. | KLIPPHASTIGHETSLAMPA |
| d. | VARNINGSLAMPA |

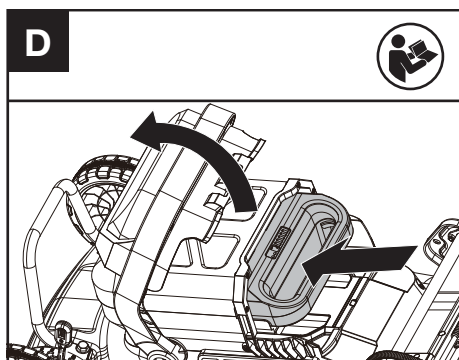
OBS: Varningsindikator kommer att blinka röd eller gul när maskinen har funktionsfel. Om den röda lampan blinkar, be om hjälp från återförsäljaren. Om den gula lampan blinkar, stäng av maskinen, ta bort batteripaketet och sätt sedan tillbaka batteripaketet och slå på maskinen. Om den gula lampan fortsätter att blinka, sök hjälp hos återförsäljaren.



Kontrollera batteriets laddning och ladda batteripaketet.

NOTERA: Batterierna levereras oladdade. Batteriet måste vara fulladdat innan den första klippningen. Mer information finns i manualen för batteri och laddare.

Montera/ta bort batteriet (Se bild D)



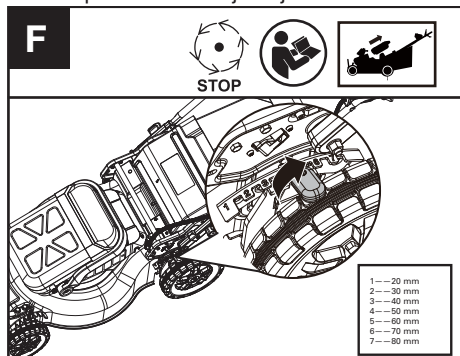
Kontroller

1. Tag bort batteriet.
2. Försök att trycka på strömbrytaren, skärbladets

Justering av klipphöjd (Se bild F)

Justera klipphöjden med spakarna för klipphöjdsjustering på fram- och bakhjulet.

OBS: Se till att de främre och bakre hjulen är i samma position när höjden justeras.



! VARNING! Stoppa, släpp manöverspaken och vänta tills motorn stannat innan du justerar höjden. Bladen fortsätter att rotera efter att motorn stängts av, ett roterande blad kan orsaka skador. Vidrör inte roterande blad.

DRIFT

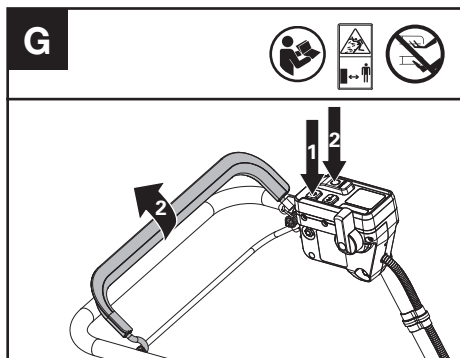
Starta & stoppa gräsklipparen (Se bild G)

1. Tryck på strömbrytaren
2. Tryck på startknappen för skärbladet (håll nedtryckt) och dra i bygeln för att starta maskinen.
3. Släpp driftshandtaget för att stoppa.

! VARNING! Kniven fortsätter att rotera efter att gräsklipparen har stängts av; vänta tills den helt stannat.

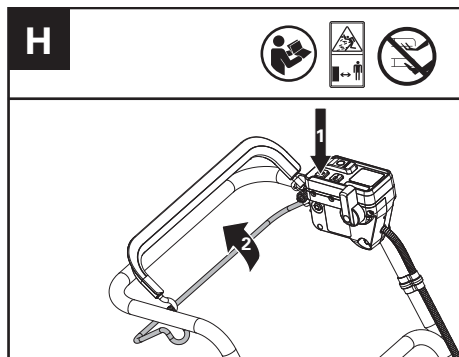
NOTERA: För att starta, tryck på knivens startknapp och dra samtidigt i manöverbygeln.

NOTERA: Fortsätt att trycka på strömbrytaren så lyser skärmen. Skärmen stängs automatiskt av om det inte görs någon åtgärd inom 60 sekunder.

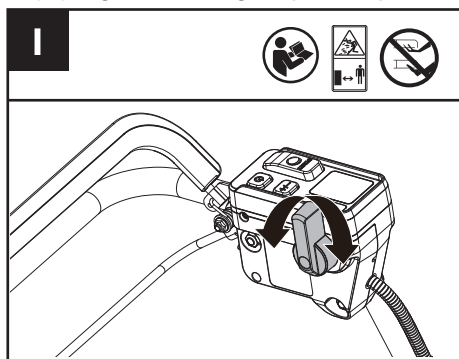


Manövrering av det självgående systemet (Se bild H)

1. Tryck på strömbrytaren
2. Drag i det handtaget för att starta det självgående systemet.
3. Släpp handtaget för att stoppa.

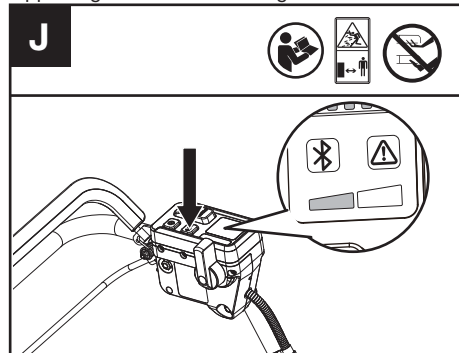


Välj självgående hastighet (Se bild I)



Välj klippshastighet (Se bild J)

2 klippshastigheter kan väljas beroende på användning. Använd +/- för att styra hastigheten, vilket indikeras av LED-lamporna. Ju högre klippshastighet desto snabbare går maskinen.



MULLKLIPPNINGSTIPS

Vid mullklippning är din klippare konstruerad för att klippa gräsklipppet i små bitar och fördela dessa över gräsmattan. Under normala förhållanden kommer det finfördelade gräset att brytas ned biologiskt och snabbt för att ge näring till gräsmattan. Läs igenom följande rekommendationer för optimal mullprestanda.

- 1) Undvik att klippa när gräset är blött av regn eller dagg. Vått gräs kan bilda klumpar som stör mulchningen och minskar drifttiden.
- 2) För bästa mullprestanda, ställ in klipphöjden på klippning av en tredjedel av gräshöjden, idealiskt inte mer än 40 mm i taget. Om gräset är för långt kan det vara nödvändigt att öka klipphöjden för att minska kraftansträngningen och förhindra överbelastning av motorn. För extremt tung mullning är det förstärkt att först klippa med en hög klippinställning och sedan klippa en gång till för den slutliga klippningen. I alla fall gör korta klippningar och rör dig sakta framåt.
- 3) För bästa prestanda, håll klipparens hölje fritt från uppsamlat gräs. Stäng då och då av gräsklipparen och vänta på att knivarna helt har stannat. Ta ur batterierna och vänd gräsklipparen på sidan. Använd ett föremål som ex. en pinne för att torka bort all ansamling av gräs runt knivområdet. Var försiktig med de vassa kanterna på knivbladet. Se till att ofta rengöra knivområdet när du klipper vått eller nytt gräs och varje gång efter att maskinen har använts.
4. Vissa typer av gräs eller gräsförhållande kan kräva att ett område mullas en andra gång för att helt fördela gräset över gräsmattan. Om det klipps en andra gång är rådet att klippa vinkelrätt (tvärs över) den första klippningen. **ÄNDRA INTE KLIPPVÄG PÅ NÅGOT SÄTT SOM GÖR ATT RÖRELSEN ÄR NEDFÖR EN KULLE.**
5. Byt ditt klippmönster varje vecka. Detta förhindrar att mattnig och marmorering över gräsmattan.
- 6) Klipp inte i en sluttning som har en lutning på mer än 18°.

KLIPPOMRÅDET

Klippområdet påverkas av flera olika faktorer såsom klipphöjd, gräsets fuktighet samt gräsets längd och täthet. Att starta och stoppa gräsklipparen alltför ofta under tiden den används leder också till minskat klippområde.

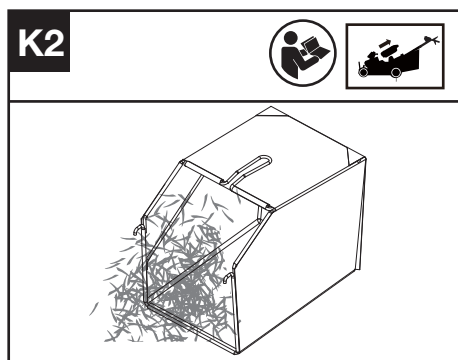
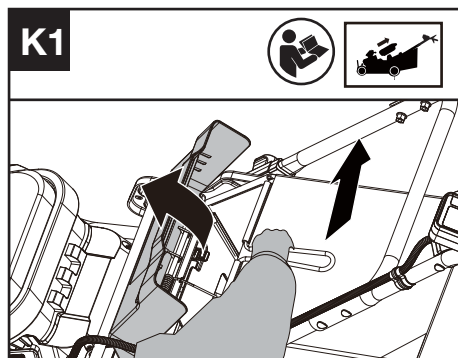
TIPS:

- 1) Det rekommenderas att du klipper din gräsmatta oftare, att du går i normal takt och att du startar/stoppar gräsklipparen så sällan som möjligt när den används.
- 2) För bästa prestanda, se till att batteriet är fulladdat och klipp alltid av 1/3 eller mindre av gräshöjden. Det rekommenderas att installera ett nytt blad innan klippsäsongen börjar.
- 3) Gå långsammare när du klipper långt gräs för att få effektivare klippning.
- 4) Undvik att klippa vått gräs då detta fastnar på undersidan, vilket leder till minskad effektivitet.

- 5) En högre klipphöjd bör användas på nytt eller tjockt gräs för att förlänga batteritiden.

Ta bort/tömma gräsuppsamlingspåsen (Se bild K1, K2)

⚠ WARNING! Kontrollera alltid att säkerhetsluckan har stängts utloppet innan du använder verktyget. Lyft aldrig säkerhetsluckan eller ta bort mulchpluggen när gräsklipparen används utan monterad gräsuppsamlingspåse.



FÖR BATTERIVERKTYG

Omgivningstemperaturintervallen för att använda eller förvara verktyget och batteriet är 0 °C-45 °C (-4 °F~113 °F).

Det rekommenderade omgivningstemperaturintervallen för laddningssystem vid laddning är 0 °C-40 °C (23 °F~113 °F).

Information angående säker hantering av använda batterier:

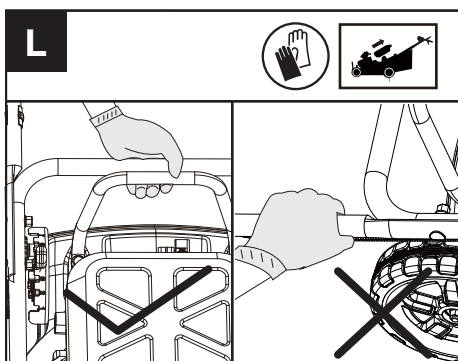
I slutet av apparatens livslängd, ta bort batteripaketet säkert innan du gör dig av med apparaten. Kasta inte batterier i vanligt avfall eller släng dem i sopkorgen. Kasta inte heller batterier tillsammans med maskinen. Ta bort det använda batteripaketet från apparaten och lämna in det på närmaste eller bekväma återvinningsanläggning. Vid tveksamheter, kontakta

din lokala miljöskyddsavdelning. Batterier kan komma in i vattenkretsen om de inte hanteras korrekt, vilket kan vara skadligt för ekosystemet. Släng inte bort använda batterier som osorterat hushållsavfall.

TRANSPORT

Transport av gräsklipparen

1. Stäng av gräsklipparen och ta ur batteriet.
2. När du transporterar din gräsklippare kan den användas självdrivande utan att klippbladet aktiveras.
3. För att lyfta gräsklipparen rekommenderas det att två personer lyfter från varje sida av gräsklipparen med hjälp av motorskyddet och anslutningsområdena för det nedre handtaget. När maskinen lyfts ihopvikt, ta tag i motorskyddet, inte i handtagen. (Se bild L)



Transportera batteriet

1. Se till att batteriet är i ett säkert skick.
2. Använd icke-ledande förpackning när du transporterar batteriet.
3. De inneslutna Li-Ion-batterierna omfattas av lagstiftningen för krav om farligt gods. Transportera endast batterier när batterihöljet är oskadat. Packa batterierna på ett sådant sätt att de inte kan röra sig i förpackningen.

UNDERHÅLL

⚠ VARNING! Stoppa gräsklipparen och ta bort batteriet innan du tar bort gräsuppsamlingspåsen.

OBS: För att garantera lång och pålitlig funktion, genomför följande underhållsprocedurer regelbundet. Leta efter tydliga defekter såsom en lös, rubbat eller ett skadat blad, lösa delar och slitna eller skadade komponenter. Kontrollera att huvar och skydd är oskadade och korrekt monterade på gräsklipparen. Utför nödvändigt underhåll eller reparationer innan gräsklipparen används. Om gräsklipparen strejkar trots regelbundet underhåll, ring vår kundtjänst för råd.

KNIVSLIPNING

HÅLL KNIVEN VASS FÖR BÄSTA KLIPPPRESTANDA. ETT SLÖTT KNIVBLAD KLIPPER INTE GRÄSET ELLER MULCHAR ORDENTLIGT.

BÅR ÖGONSKYDD OCH ARBETSHANDSKAR NÄR DU TAR BORT, SLIPAR OCH MONTERAR BLADET.

NOTERA: Slipning eller byte av kniven var 50:e timme. Sand gör att knivens blad snabbt blir slött. Om din gräsmatta har sandig jord kan det behövas slipning eller byte oftare.

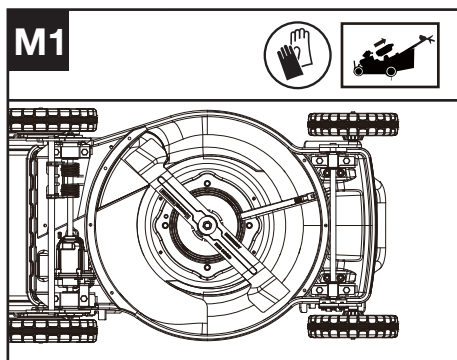
BYT OMEDELBART UT BÖJT ELLER SKADAT KNIVBLAD.

VID SLIPNING AV KNIVBLADET

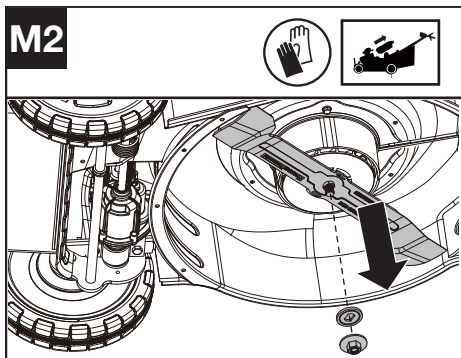
1. Använd ett träblock för att förhindra att bladet vrider sig.
2. Använd en hylsa och skiftnyckel, ta bort knivbulten och sedan knivbladet. (Se avsnittet om att ta bort knivbladen)
3. Kläm fast bladet i ett skruvstycke eller liknande för att förhindra att det rör sig under slipningen.
4. Slipa skäreaggarna på båda ändarna av bladet. Se till att samma mängd material tas bort från båda ändarna för att hålla bladet balanserat.
5. Kontrollera bladbalansen. (Se avsnittet om bladbalansering)
6. Byt ut bladet i omvänd ordning mot demonteringen.
7. Se till att dra åt knivbulten till erforderligt vridmoment (25 Nm).

NOTERA:

1. Se till att gräsklipparen är avstängd och ta bort batteriet.
2. Tippa gräsklipparen på sidan som visas i figur M1.

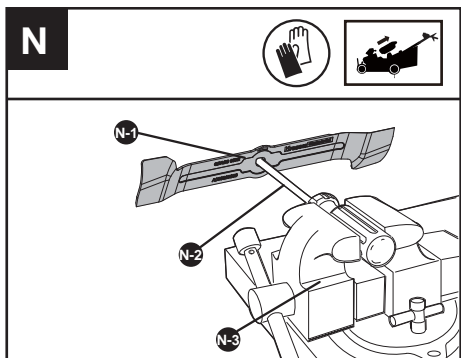


BORTTAGNING AV BLAD (SE BILD M2)



BLADBALANSERING (SE BILD N)

Kontrollera balansen på bladet genom att placera centrumhålet N-1 på en spik eller ett skruvmejselskaft N-2, fastklämd horisontellt i ett skruvstäd N-3. Om någon ände av bladet roterar nedåt, fila den änden. Bladet är korrekt balanserat när ingen ände roterar nedåt.



KNIVBYTE

-Föreslå att byta ut olika gräsklipparknivar enligt olika arbetsförhållanden för bättre användningserfarenhet.

KNIV	FUNKTION
Höglyftande blad	Rekommenderas för påsar
Krokodilblad	Rekommenderat för mulchning

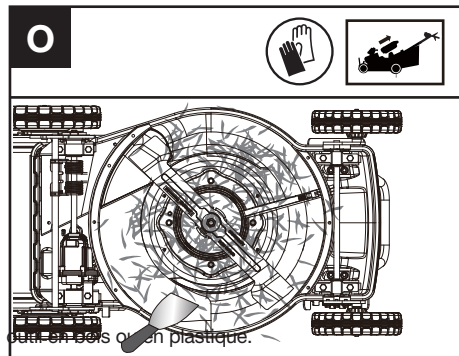
RENGÖRING

1. Stoppa gräsklipparen och tag bort batteriet.
2. Använd inte aggressiva rengöringsmedel eller lösningsmedel. Rengör maskinen efter användning med en fuktad trasa doppad i neutralt rengöringsmedel.

3. Håll uttaget fritt från främmande föremål och rengör med en mjuk och torr borste eller trasa.
4. Spreja inte vatten på motorn eller elektriska komponenter.
5. Använd inte vatten med tryck för att rengöra maskinen.

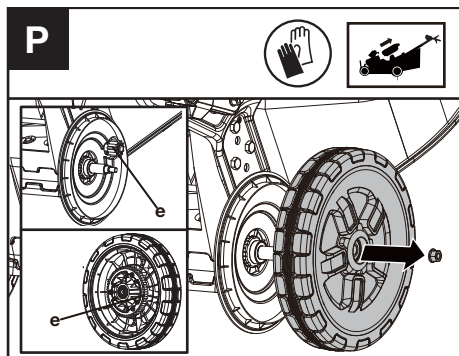
Rengöring av däck och bladområdet. (Se bild O)

Rengör gräsklipp och skräp från däck och bladområdet. Om gräsklippen är komprimerat i knivområdet, tag bort det med ett trä- eller plastredskap.



Rengör hjulen. (Se bild P)

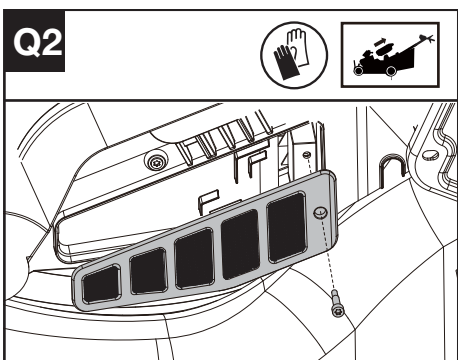
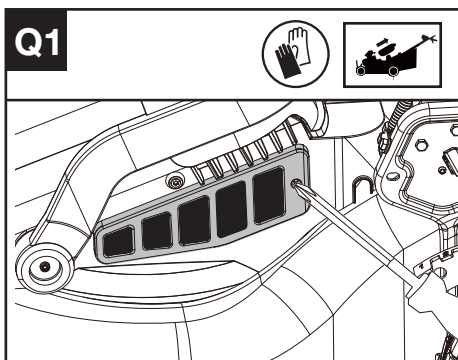
- Stoppa gräsklipparen och tag bort batteriet.
- Rengöring av hjulen var 50:e timme eller oftare under extrema förhållanden.
- Ta bort de bakre hjulen och rengör gräsklippen och skräpet från hjulväxelområdet.
- Det rekommenderas att applicera en liten mängd anti-kärvmedel på kugghjulen(e) efter rengöring.



Rengöra luftfiltret (Se bild Q1, Q2)

1. Rengör området runt luftfiltret. Använd en fuktig trasa eller mjuk borste.
2. Skruva loss och plocka bort luftfiltret.
3. Tvätta luftfiltret med rinnande vatten för att få bort smutsen.

4. Låt luftfiltret torka i luften. Och installera det sedan i huset genom att dra åt skruven.



SV

FÖRVARING

1. Stoppa gräsklipparen och tag bort batteriet.
2. Rengör maskinens utsida noggrant med en mjuk borste och trasa. Använd INTE lösnings- eller polermedel. Tag bort allt gräs och skräp, speciellt från ventilationsöppningarna, mulchplattan, knivområdet och hjulen.
3. Förvara maskinen på en torr plats där den är utom räckhåll för barn och andra obehöriga. Placera inte andra föremål ovanpå maskinen.
4. För att underlätta förvaring, fälla ihop styret.
5. Förvara batteriet endast inom ett temperaturområde mellan 5 °C och 25 °C. Till exempel, lämna inte batteriet i bilen på sommartid.
6. När maskinen blivit blöt i regnet under drift bör maskinen och batteriet torkas före förvaring eller laddning. Ta ur batteriet och sätt tillbaka det om maskinen inte kan slås på.

FELSÖKNING

Följande tabell visar problem och åtgärder som du kan utföra om din maskin inte fungerar korrekt.



VARNING: Stäng av maskinen och tag bort batteriet före eventuell felsökning.


PROBLEM	KORRIGERANDE ÅTGÄRD
1. Gräsklipparen går inte när manövrering är aktiverad.	A. Kontrollera att knivbladets startknapp är helt nedtryckt. B. Släpp manöverbygel för att stänga av gräsklipparen. Ta ur batteriet, vänd på gräsklipparen och kontrollera att kniven är fri att rotera. Om den inte är fri, återvänd till en auktoriserad serviceverkstad. Knivarna skall fritt röra sig C. Har batteriet fullständigt laddats? Koppla in laddaren och vänta tills grön lampa tänds. D. För att starta, tryck på både knivbladens startknapp och dra samtidigt i manöverbygel.
2. Motorn stannar under klippning.	A. Släpp manöverbygel för att stänga av gräsklipparen. Tag bort batteriet, vänd på gräsklipparen för att kontrollera om gräsklipparen är igensatt med grässkräp, tag bort skräp från området där kniven roterar. Kontrollera sedan att bladet är fritt att rotera. Om den inte är fri, återvänd till en auktoriserad serviceverkstad. Knivarna skall fritt röra sig. B. Høj hjulen till den högsta klipphöjden och starta gräsklipparen. C. Är batteriet fulladdat? Koppla in laddaren och vänta på att en grön lampa tänds. D. Undvik att överbelasta gräsklipparen. Sänk klippastigheten eller öka klipphöjden, eller både och.
3. Gräsklipparen kör men klippresultatet är otillfredsställande, eller klipper inte hela gräsmattan.	A. Är batteriet fulladdat? Koppla in laddaren och vänta på att en grön lampa tänds. B. Släpp manöverbygel för att stänga av gräsklipparen. Tag bort batteriet. Vänd på gräsklipparen och kontrollera: Blad för skärpa - Håll bladet vasst. Däck och utkastningsränna för igensättning. C. Hjulinställningen kan vara för låg för gräsförhållandena. Öka klipphöjden.
4. Gräsklipparen är för tung att skjuta framåt.	A. Öka klipphöjden för att minska undersidans motstånd mot gräset. Kontrollera att alla hjul roterar fritt.
5. Gräsklipparen bullrar och vibrerar onormalt mycket.	A. Släpp manöverbygel för att stänga av gräsklipparen. Tag bort batteriet. Vänd klipparen på sidan och kontrollera bladet för att kontrollera att det inte har böjts eller skadats. Om knivbladet är skadat, byt ut det mot ett ersättningsblad. Om maskinens undersida är skadad lämna gräsklipparen till ett auktoriserat servicecenter. B. Om det inte finns några synliga skador på bladet och gräsklipparen fortfarande vibrerar: Släpp manöverbygel för att stänga av gräsklipparen, tag bort batteriet och tag bort bladet. Vänd bladet 180 grader och dra åt igen. Om gräsklipparen fortfarande vibrerar, lämna gräsklipparen till ett auktoriserat servicecenter.
6. Batteriladdarens LED lyser inte.	A. Kontrollera kontaktanslutningen. B. Byt av laddare.
7. Batteriladdarens lampa går inte över till grönt.	A. Batteriet måste kontrolleras. Ta det till ett behörigt servicecenter.

SV

8. Gräsklipparen tar inte upp klipprester.	A. Bakre rännan igensatt. Släpp manöverbygeln för att stänga av gräsklipparen. Tag bort batteriet. Rensa rännan från gräsklipp. B. För mycket klippt gräs. Høj klipphöjden på hjulen för att förkorta klipplängden. C. Påsen full. Töm påsen oftare.
9. Synligt gräsklipp vid mullning.	A. För mycket gräs klipps åt gången. Høj hjulen för att minska längden på gräset som klipps. Klipp inte mer än en tredjedel av den totala höjden. B. Kontrollera att bladet är vasst. Håll alltid bladet vasst. C. Sänk hastigheten om gräset är högt eller extremt tjockt.
10. Låg eller förkortad drifttid efter flera användningar.	A. Ta till en behörig servicestation - ett nytt batteri kan behövas.
11. Varningsindikatorer blinkar.	A. Stäng av maskinen och ta bort batteripaketet, sätt sedan tillbaka batteripaketet och slå på maskinen. B. Kontakta serviceverkstad.

TEKNISKA DATA

Typ: **KC720 KC720.X** (720-beteckning för maskiner, representant för **SP** gräsklippare med förstärkt ståldäck)

	KC720 KC720.X **
Spänning	60V  Max***
Däckmaterial	förstärkt stål -1.8 mm
Klippbredd	47 cm
SP max. hastighet	6.4 km/h
Klipphöjd	20-80 mm
Klipphöjdspositioner	7
Gräsuppsamlingskapacitet	70 L
Grad av skydd	IPX4
Drifttid	70min@11Ah****
Maskinvikt (utan redskap)	38 kg

** X = 1-999, A-Z, M1-M9 är endast för olika kunder, det finns inga säkerhetsrelaterade förändringar mellan dessa modeller.

*** Spänning mäts utan arbetsbelastning. Initial batterispänning når maximalt 60 volt. Nominell spänning är 54 volt.

**** Körtiden kan variera beroende på hur maskinen används och gräsförhållandena. Den valda klippastigheten påverkar batteriets drifttid. Ju lägre klippastighet desto längre körtid.

REKOMMENDERADE BATTERIER OCH LADDARE

Batteripaket	Kapacitet	Laddning	Amperage
KAC810	11 Ah	KAC840	30 A

Vi rekommenderar att du köper dina tillbehör från samma leverantör som sålde verktyget till dig. Se förpackningen med tillbehör för mer information. Leverantören kan hjälpa dig och ge råd.

TEKNISKA DATA FÖR BATTERIPAKET (TILLVAL)

Frekvensband för Bluetooth	2400-2483.5 MHz
Maximal sändareffekt för Bluetooth	8 dBm

BULLERINFORMATION

Uppmätt ljudtryck	$L_{pA} = 83.2 \text{ dB(A)}$
K_{pA}	3 dB(A)
Uppmätt ljudstyrka	$L_{wA} = 95.84 \text{ dB(A)}$
K_{wA}	0.65 dB(A)

Använd hörselskydd



VIBRATIONSINFORMATION

Typisk uppmätt vibrering	$a_{h1} < 2.5 \text{ m/s}^2$
Osäkerhet	$K = 1.5 \text{ m/s}^2$

⚠️ WARNING: Vibrationsemissionsvärdet vid användning av maskinverktyg kan skilja sig åt från det deklarerade värdet beroende på hur verktyget används och beroende på följande exempel och andra variationer av hur verktyget används:

Hur verktyget används och materialet som verktyget används med.

Verktyget är i bra skick och bra underhållet.

Användning av korrekt tillbehör till verktyget och säkerställandet att det är vasst och i bra skick.

Beroende på hur tajt åtdraget handtaget är och om några antivibrationstillbehör används.

Verktyget används som avsett enligt konstruktionen och de här instruktionerna.

Detta verktyg kan orsaka hand- arm- vibrationsyndrom om det används på felaktigt sätt.

⚠️ WARNING: För att det ska bli korrekt bör en beräkning av exponeringsnivån under verkliga förhållanden vid användning också tas med för alla delar av hanteringscykeln såsom tiden när verktyget är avstängt och när det körs på tomgång utan att utföra något arbete. Detta kan betydligt minska exponeringsnivån över den totala arbetsperioden. Hjälp för att minimera risken för vibrationsexponering. Använd ALLTID skarpa mejslar, borrar och blad. Underhåll verktyget i enlighet med dessa instruktioner och håll det välsmort (där det är nödvändigt). Om verktyget ska användas regelbundet, investera i

antivibrationstillbehör.

Planera ditt arbetsschema för att sprida ut användning av kraftigt vibrerande verktyg över flera dagar.

MILJÖSKYDD



Uttjänade elektriska produkter får inte kasseras som hushållsavfall. Återanvänd där det finns anläggningar för det. Kontakta dina lokala myndigheter eller återförsäljare för återvinningsråd.

DEKLARATION OM ÖVERENSSTÄMMELSE

Vi,
Positec Germany GmbH
Postfach 680194, 50704 Cologne, Germany

Deklarerar att denna produkt,
Beskrivning **Batteridrivna gräsklippare**
Typ **KC720 KC720.X (720-beteckning för maskiner, representant för SP gräsklippare med förstärkt ståldäck)**
Funktion **klippa gräs**

På Positecs vägnar förklara att produkten
2006/42/EC, 2014/30/EU, 2011/65/EU & (EU) 2015/863, 2000/14/EC ändrad av 2005/88/EC

SV

2000/14/EC ändrad av 2005/88/EC:

- Konformitetsutvärderingsprocedur enligt **Bilaga VI**
- Uppmätt bullernivå **95.84 dB (A)**
- Deklarerad garanterad bullernivå **96 dB (A)**

Berört notifierat organ

Namn: TÜV Rheinland LGA Products GmbH
(Anmält organ 0197)

Adress: Tillystraße 2-90431 Nürnberg

Standarder överensstämmer med
EN 62841-1, EN IEC 62841-4-3, EN ISO 3744, EN IEC 55014-1, EN IEC 55014-2, EN IEC 63000

Personen som godkänts att sammanställa den tekniska filen

Namn **Marcel Filz**
Adress **Positec Germany GmbH**
Postfach **680194, 50704 Cologne, Germany**



2024/02/05

Allen Ding
Vice chefsingenjör, tester och certifiering
Positec Technology (China) Co., Ltd
18, Dongwang Road, Suzhou Industrial
Park, Jiangsu 215123, P. R. China



Copyright © 2024, Positec. All Rights Reserved.
AR01754100