



ACADEMY OUTDOOR ANTONIO CITTERIO 2022

TABLES

ACADEMY OUTDOOR | *ANTONIO CITTERIO* | 2022

TABLE

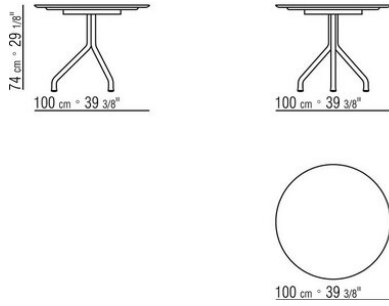
Structure in tubular stainless steel, epoxy powder-coat finish in colors: white 100, wine red 405, khaki green 705, burnished, grey 715; or, in embossed lacquered finish in white 300, sand 310, brick 320, sage green 330, terracotta 325, forest green 335, charcoal 350. Steel screws

Top in the following types of stone: lava stone, porphyry, cardoso, beola argentata; or in solid iroko slats, with natural finish, stained grey, stained brown, or lacquered white finish

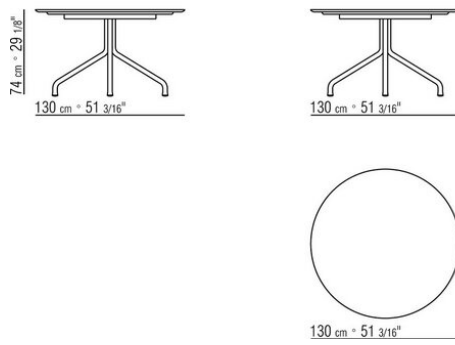
Feet rest on tips made of thermoplastic material

Cover in waterproof material; cover is upon request, with upcharge

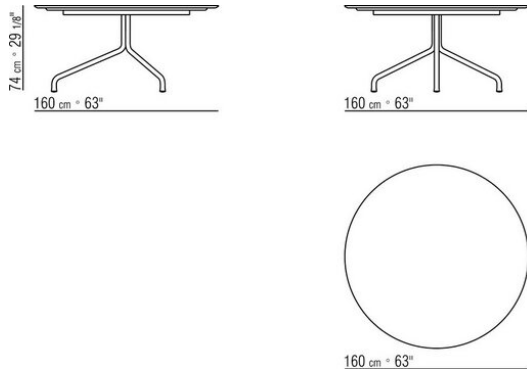
COD. 02A1L0



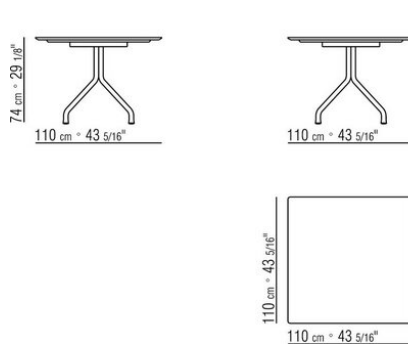
COD. 02A1L1



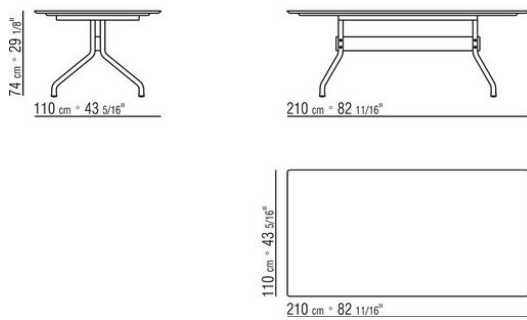
COD. 02A1L2



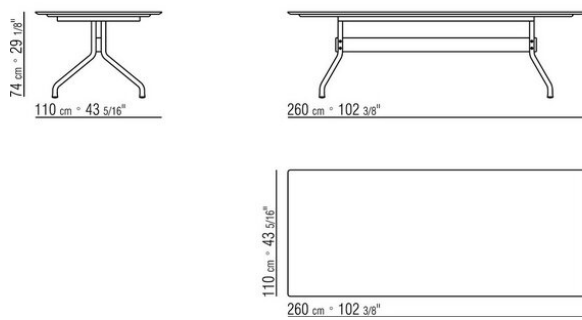
COD. 02A1L4



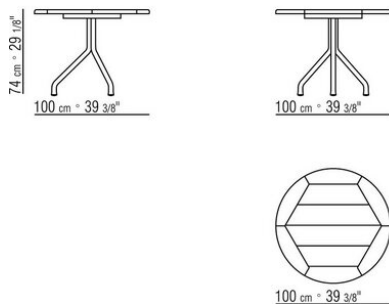
COD. 02A1L6



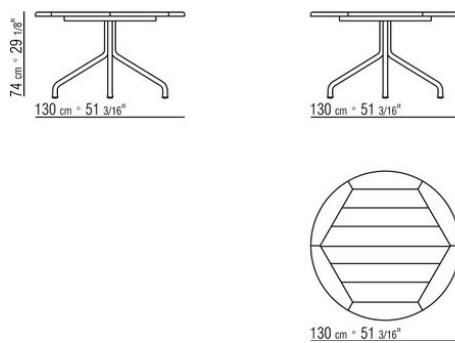
COD. 02A1L7



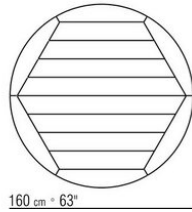
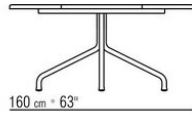
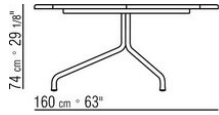
COD. 02A1M0



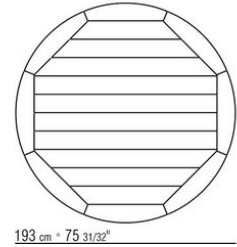
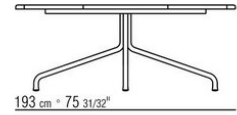
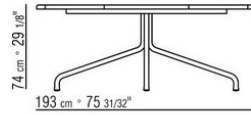
COD. 02A1M1



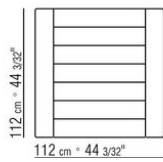
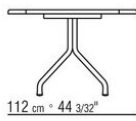
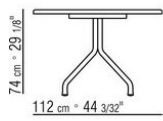
COD. 02A1M2



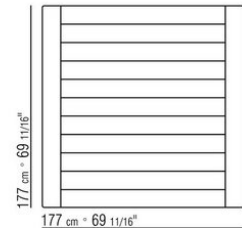
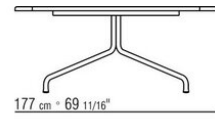
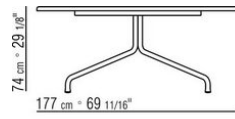
COD. 02A1M3



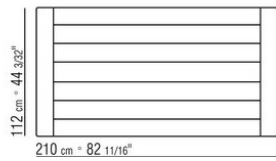
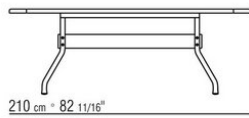
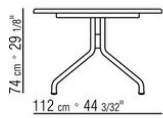
COD. 02A1M4



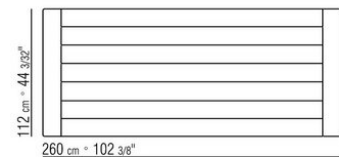
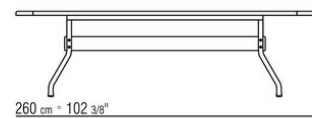
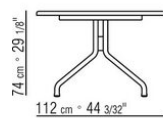
COD. 02A1M5



COD. 02A1M6



COD. 02A1M7



COD. 02A1M8

