



**EDMOND** *CARLO COLOMBO* **2013**

**SOFAS**

---

## EDMOND | *CARLO COLOMBO* | 2013

**Structure** in metal with satin, chrome, black chrome, burnished or glossy anthracite finish

**Seat cushion** in solid wood with padding in polyurethane foam and sterilized goose down (Assopiuma certified, gold label)

**Backrest cushions** in sterilized goose down (Assopiuma certified, gold label) with insert in crushproof material

**Backrest and armrest** padded with quilted polyurethane foam, covered with a

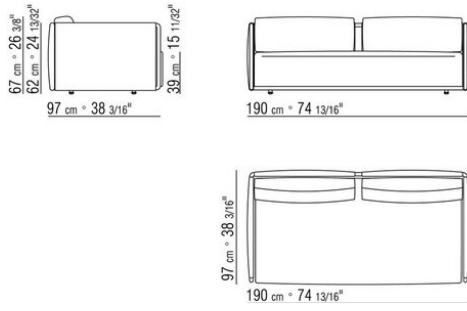
protective laminated fabric

**Base** in epoxy powder-coated metal. Rests on pads made of thermoplastic material

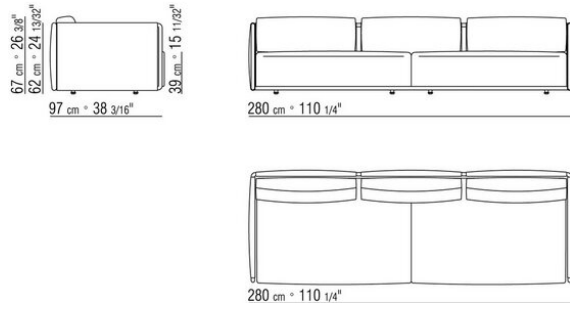
**Optional cushions** in sterilized goose down (Assopiuma certified, gold label). Optional cushions are upon request, with upcharge

**Upholstery** is removable in both the fabric and leather versions

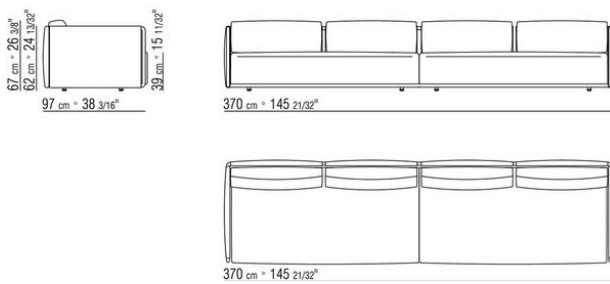
COD. 015Z02



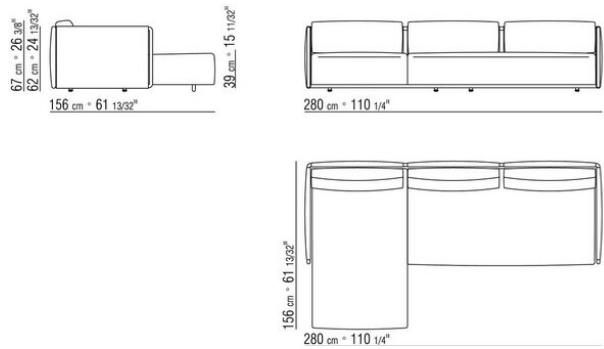
COD. 015Z03



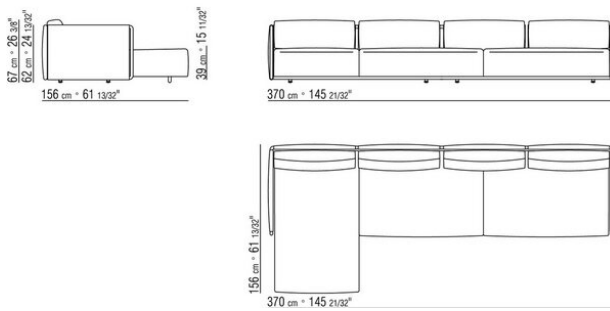
COD. 015Z04



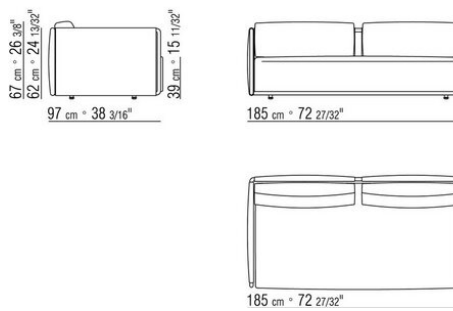
COD. 015Z10



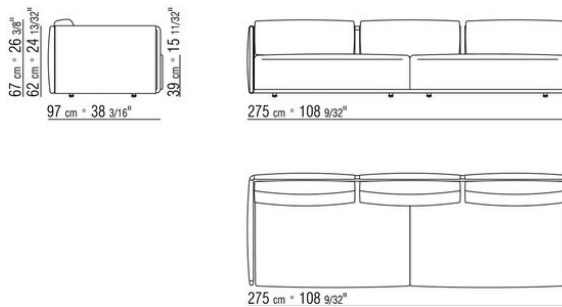
COD. 015Z12



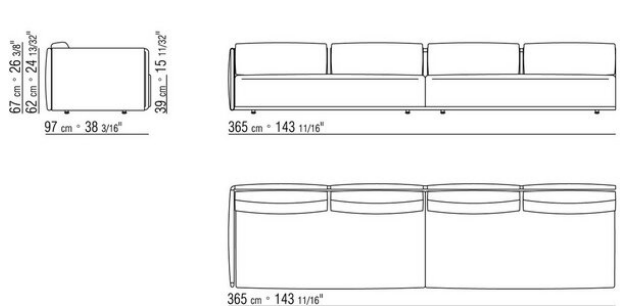
COD. 015Z21



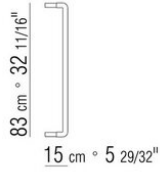
COD. 015Z23



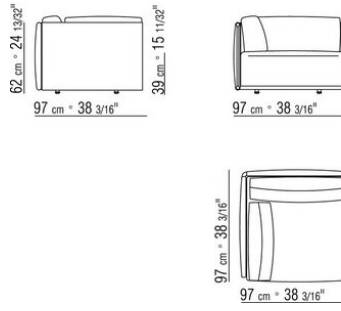
COD. 015Z25



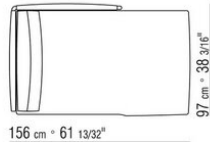
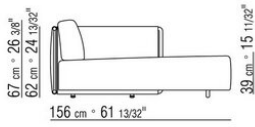
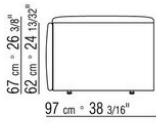
COD. 015Z59



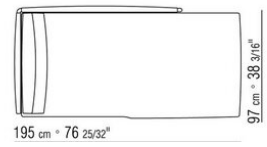
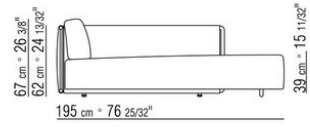
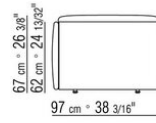
COD. 015Z40



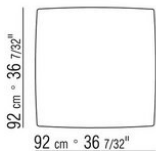
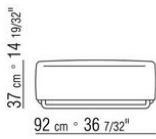
COD. 015Z33



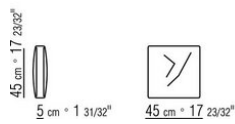
COD. 015Z35



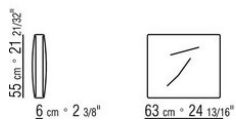
COD. 015Z50



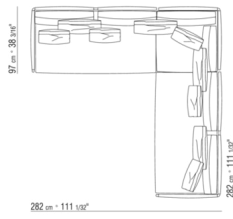
COD. 015Z98



COD. 015Z99



015ZXA



N.1 COD.015Z21 - END UNIT L CM.185 x97

N.1 COD.015Z20 - END UNIT R CM.185 x97

N.5 COD.015Z98 - CUSHION CM.45 x45

N.1 COD.015Z40 - CORNER CM.97 x97

N.4 COD.015Z99 - CUSHION CM.63 x55