



MILOS ANTONIO CITTERIO 2023
DAYBEDS

MILOS | ANTONIO CITTERIO | 2023

DAYBED

Structure in aluminum, epoxy powder-coated in colors: white 100, wine red 405, khaki green 705, burnished, glossy grey 715; or, in embossed lacquered finish in white 300, sand 310, brick 320, sage green 330, terracotta 325, forest green 335, charcoal 350. Water-repellent elastic webbing in these colors: sand 9001, grey 9003, anthracite 9005, black 9009, salt and pepper 9017. Sits on feet made of thermoplastic material

Backrest reclinable, in solid iroko with natural finish, stained grey, stained brown, or lacquered white. Backrest recliner system in electropolished 316 stainless

steel and bracket in grey thermoplastic material

Seat and backrest cushion in polyurethane foam and polyester fiber covered with a protective, water-repellent laminated fabric

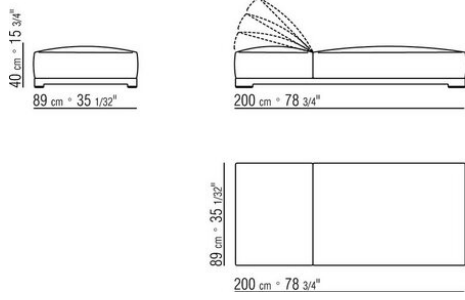
Upholstery piping tailored detail includes grosgrain piping that can be crafted in all the colors on the sample board

Upholstery in removable fabric

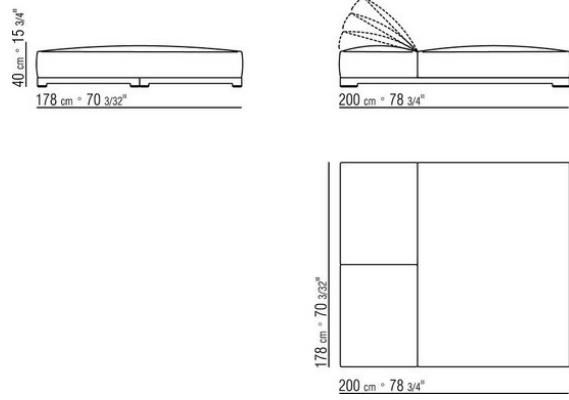
Slipcover in cotton terry cloth toweling, removable and washable in water. Can be crafted in all the colors on the sample board. Upon request, with upcharge

Cover in waterproof material. Cover is upon request, with upcharge

COD. 02B3G8



COD. 02B3G9



COD. 02B3T8
