



**ADDA ANTONIO CITTERIO 2017**  
**BEDS/BED ACCESSORIES**

---

## **ADDA** | *ANTONIO CITTERIO* | **2017**

### **BED**

**Base** metal covered with protective lining

**Wooden base** with polyurethane padding covered with a protective fabric lining

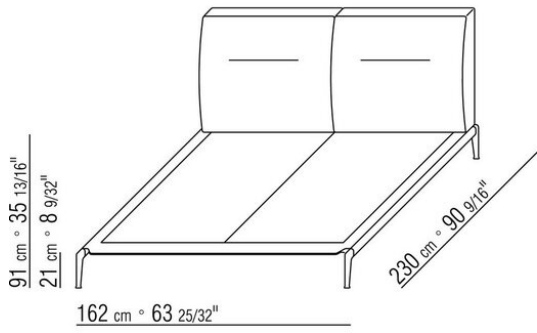
**Headboard** in metal with padding in polyurethane foam and sterilized goose down (Assopiuma certified, gold label)

**Feet** in metal satined, chrome, burnished, black chrome or glossy anthracite metal.

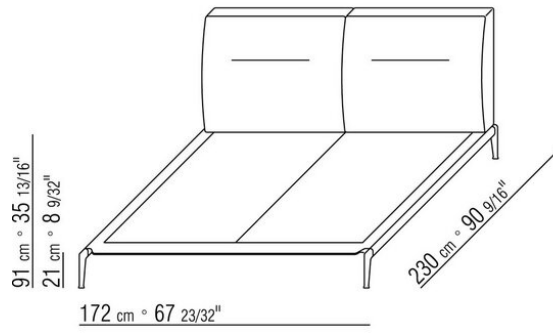
Rests on pads made of thermoplastic material

**Upholstery** is removable in both the fabric and leather versions

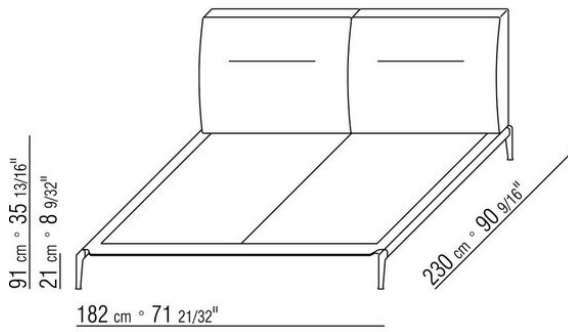
COD. 0236M1



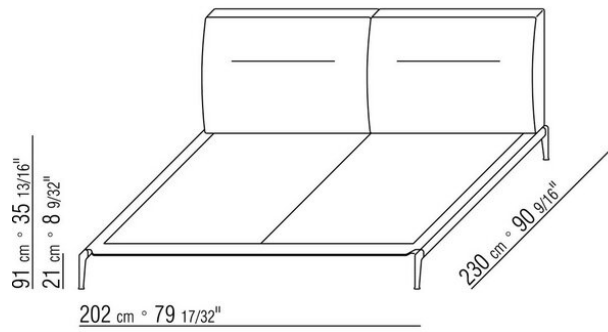
COD. 0236M2



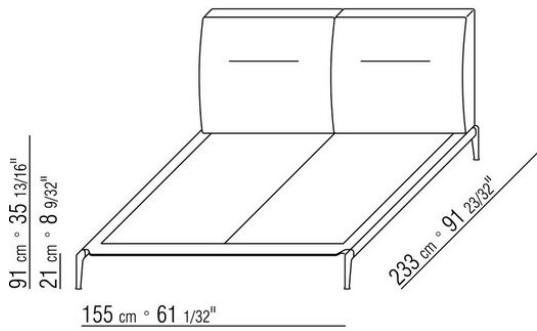
COD. 0236M3



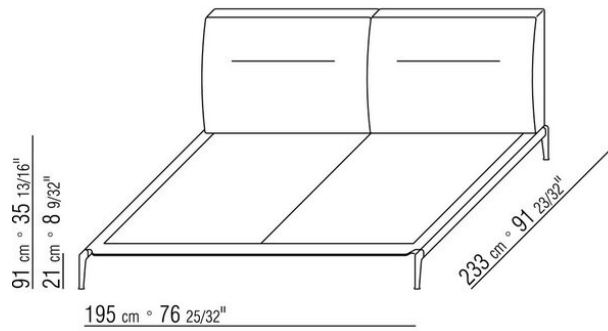
COD. 0236M5



COD. 0236M6

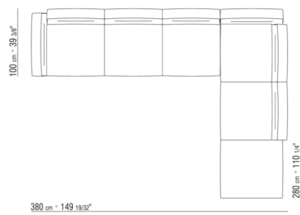


COD. 0236M8



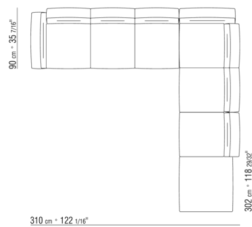
0236XA

- N.1 COD.023617 - END UNIT L CM.280 x100
- N.1 COD.023627 - LONG CORNER L CM.280 x100
- N.8 COD.023699 - CUSHION CM.57 x48



0236XB

- N.1 COD.0236B5 - END UNIT L CM.220 x90
- N.1 COD.0236B3 - END UNIT L CM.155 x90
- N.1 COD.0236D1 - TERMINAL UNIT L CM.147 x90
- N.7 COD.023699 - CUSHION CM.57 x48



0236XC

- N.1 COD.023627 - LONG CORNER L CM.280 x100
- N.1 COD.023605 - SOFA CM.305 x100

