



**MILOS ANTONIO CITTERIO 2023**  
**DAYBEDS**

---

## MILOS | ANTONIO CITTERIO | 2023

### DAYBED

**Structure** in aluminum, epoxy powder-coated in colors: white 100, wine red 405, khaki green 705, burnished, matt titanium 710, glossy grey 715; or, in embossed lacquered finish in white 300, sand 310, brick 320, sage green 330, terracotta 325, forest green 335, charcoal 350. Water-repellent elastic webbing in these colors: sand 9001, grey 9003, anthracite 9005, black 9009, salt and pepper 9017. Sits on feet made of thermoplastic material

**Backrest** reclinable, in solid iroko with natural finish, stained grey, stained brown, or lacquered white. Backrest recliner system in electropolished 316 stainless

steel and bracket in grey thermoplastic material

**Seat and backrest cushion** in polyurethane foam and polyester fiber covered with a protective, water-repellent laminated fabric

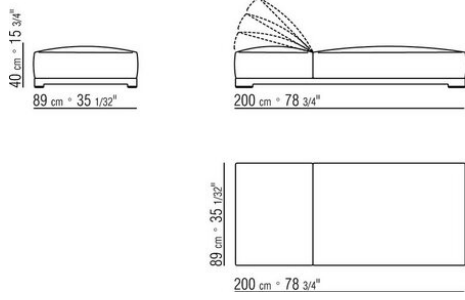
**Upholstery piping** tailored detail includes grosgrain piping that can be crafted in all the colors on the sample board

**Upholstery** in removable fabric

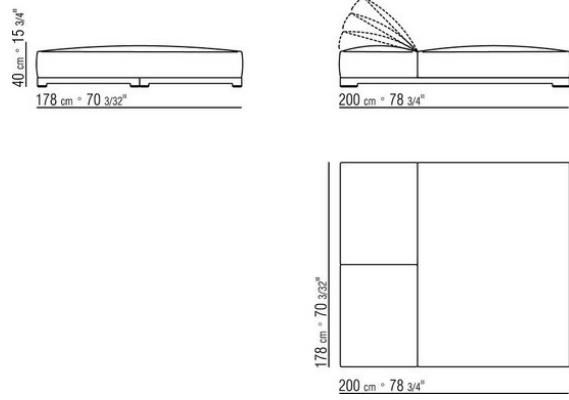
**Slipcover** in cotton terry cloth toweling, removable and washable in water. Can be crafted in all the colors on the sample board. Upon request, with upcharge

**Cover** in waterproof material. Cover is upon request, with upcharge

COD. 02B3G8



COD. 02B3G9



COD. 02B3T8

---

