



SVEVA CARLO COLOMBO 2018
ARMCHAIRS

SVEVA | CARLO COLOMBO | 2018

SVEVA LIGHT

Structure in rigid molded polyurethane with glossy lacquer finish in these colors: white 4570, terracotta 4580, forest green 4565, aquamarine 4560 and black 4550

Swivel base 4/5 spokes with 360-degree swivel; in cast aluminum with satin, chrome, black chrome, burnished, matt titanium 710 or glossy anthracite finish; the ottoman has a stationary base with 4 spokes. Feet rest on tips made of thermoplastic material

Armchair cushions in sterilized goose down (Assopiuma certified, gold label) with insert in crushproof material

Ottoman cushion in sterilized goose down (Assopiuma certified, gold label)

Seat/backrest/ottoman cushion upholstery is removable in both the fabric and leather versions

SVEVA SOFT

Frame padded with patented material including various combinations of patented material

Seat cushion in sterilized goose down (assopiuma certified, Gold Label) with

insert in crushproof material

Base with swivel system, in cast aluminum with satin, chrome, black chrome, burnished, matt titanium 710 or glossy anthracite finish. Rests on pads made of thermoplastic material

Upholstery is removable in both the fabric and leather versions

ARMCHAIRS

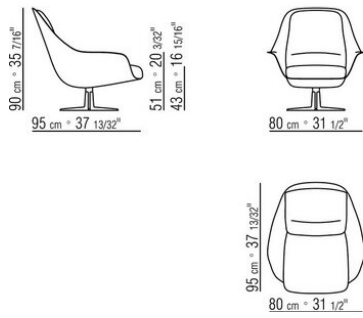
Frame in rigid polyurethane upholstered in cowhide in the following colors: grey 5003, dark brown 5004, extra dark brown 5013, black 5005, olive 5006, russian red 5008, sand 5001 or tobacco 5015; or, in suede: dark brown 6004, black 6005, olive 6003 or sand 6001

Seat / backrest cushions in sterilized goose down (assopiuma certified, Gold Label) with insert in crushproof material

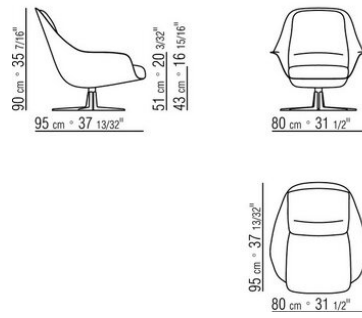
Base with swivel system, in cast aluminum with satin, chrome, black chrome, burnished, matt titanium 710 or glossy anthracite finish. Rests on pads made of thermoplastic material

Cushion upholstery is removable in both the fabric and leather versions

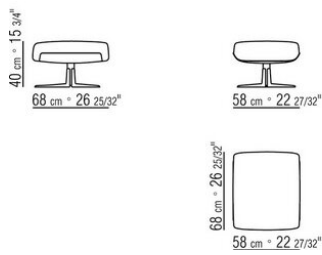
COD. 024841



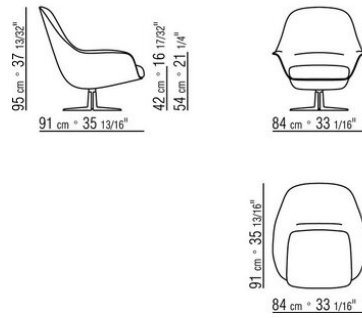
COD. 024842



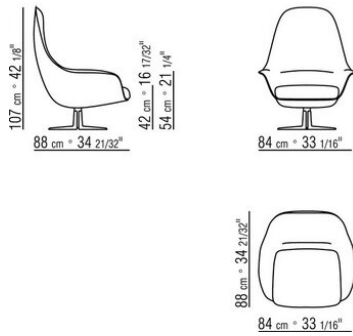
COD. 024865



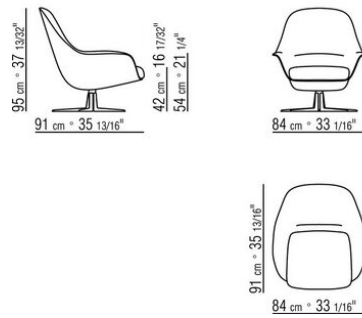
COD. 024831



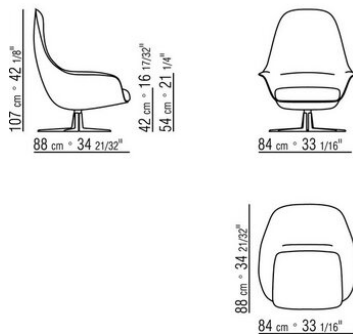
COD. 024811



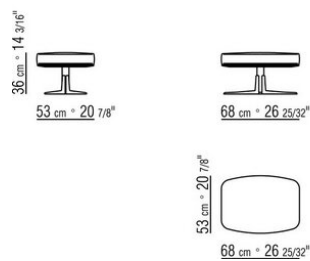
COD. 024832



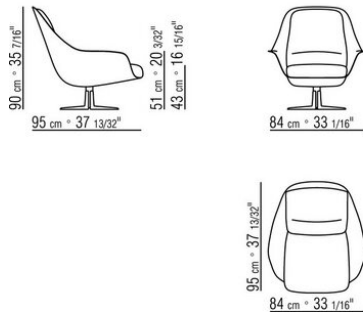
COD. 024812



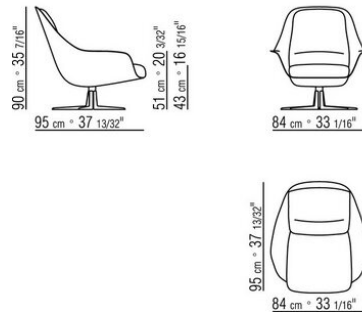
COD. 024860



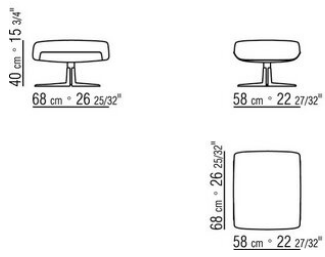
COD. 024821



COD. 024822



COD. 024850



COD. 024899



