

# Kress

## Commercial



Pole Saw attachment	EN	P03
Hochentasteraufsatz	D	P20
Accessoire de tronçonneuse sur perche	F	P37
Accessorio per sega a palo	I	P54
Accesorio de desbrozadora	ES	P71
Acessório para serra de vara	PT	P87
Stokzaagopzetstuk	NL	P104
Magassági ágvágó tartozék	HU	P120
Accesoriu pentru ferăstrău cu tijă	RO	P137
Przystawka piły słupowej	PL	P153
Nástavec s tyčovou pilou	CZ	P170
Nástavec na tyčovou pílu	SK	P186
Priključek žaga na palici	SL	P202
Nastavak za štapnu pilu	HR	P218
Beskærings savpåsats	DK	P234
Pylvässaha	FIN	P250
Utstyr for stangkjedesag	NOR	P266
Stångsågstillbehör	SV	P282

**KAC361**



# TABLE OF CONTENTS

Introduction.....	3
Component List.....	4
Product Safety.....	5
Assembly & Operation.....	8
Lubrication.....	10
Operation.....	10
Transportation .....	12
SAW Maintenance.....	12
Cleaning.....	15
Storage.....	15
Troubleshooting Table.....	16
Technical Data.....	16
Declaration of Conformity.....	17

EN

## INTRODUCTION

Dear Customer,

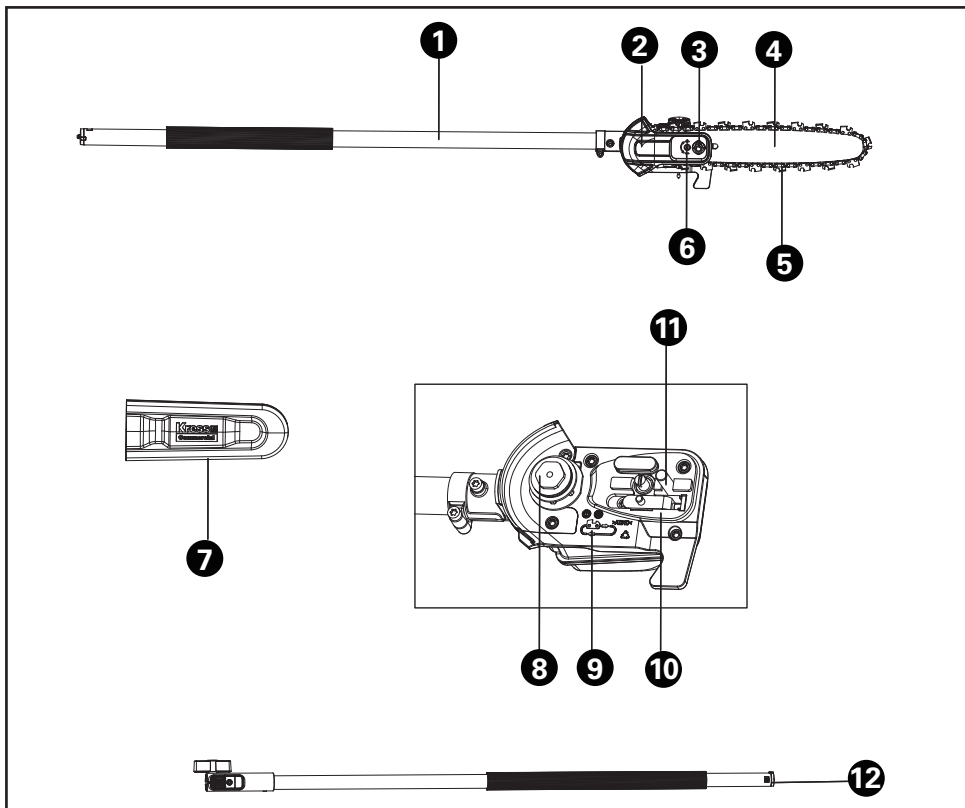
Thank you for buying this Kress Commercial product. We are dedicated to developing high quality products to meet your commercial landscaping requirements.

The Kress brand is synonymous with premium quality service. Over the years of your product's life, if you have any questions or concerns about your product, please contact your dealer or our Customer Service Team for assistance.

We are confident you will enjoy working with your Kress product for years to come.

## INTENDED USE

In conjunction with KAC104 - Power Head, this pole saw is designed for pruning and trimming branches beyond arms reach. All cuts should be across the grain. This product is intended for cutting wood only.



EN

## COMPONENT LIST

- |     |                        |
|-----|------------------------|
| 1.  | SHAFT                  |
| 2.  | DRIVE COVER            |
| 3.  | HEX NUT                |
| 4.  | GUIDE BAR              |
| 5.  | CHAIN                  |
| 6.  | CHAIN TENSIONING SCREW |
| 7.  | PROTECTIVE SCABBARD    |
| 8.  | DRIVE SPROCKET         |
| 9.  | CHAIN DIRECTION SYMBOL |
| 10. | BAR PAD                |
| 11. | BAR LOCATING STUD      |
| 12. | EXTENSION SHAFT *      |

\* Not all the accessories illustrated or described are included in standard delivery.

# ORIGINAL INSTRUCTION PRODUCT SAFETY GENERAL POWER TOOL SAFETY WARNINGS



**WARNING** Read all safety warnings, instructions, illustrations and specifications provided with this power tool. Failure to follow all instructions listed below may result in electric shock, fire and/or serious injury.

Save all warnings and instructions for future reference.

The term "power tool" in the warnings refers to your mains-operated (corded) power tool or battery-operated (cordless) power tool.

## 1. WORK AREA SAFETY

- a) **Keep work area clean and well lit.** Cluttered or dark areas invite accidents.
- b) **Do not operate power tools in explosive atmospheres, such as in the presence of flammable liquids, gases or dust.** Power tools create sparks which may ignite the dust or fumes.
- c) **Keep children and bystanders away while operating a power tool.** Distractions can cause you to lose control.

## 2. ELECTRICAL SAFETY

- a) **Power tool plugs must match the outlet.** Never modify the plug in any way. Do not use any adapter plugs with earthed (grounded) power tools. Unmodified plugs and matching outlets will reduce risk of electric shock.
- b) **Avoid body contact with earthed or grounded surfaces, such as pipes, radiators, ranges and refrigerators.** There is an increased risk of electric shock if your body is earthed or grounded.
- c) **Do not operate the machine in rain or wet conditions.** This may increase the risk of electric shock. Once got wet in the rain during operation, the machine and the battery should be dried before storing or charging. Remove the battery and reinsert it if the machine fails to turn on. Keep battery connection free of dirt and debris, and clean with a soft and dry brush or cloth.
- d) **Do not abuse the cord. Never use the cord for carrying, pulling or unplugging the power tool. Keep cord away from heat, oil, sharp edges or moving parts.** Damaged or entangled cords increase the risk of electric shock.
- e) **When operating a power tool outdoors, use an extension cord suitable for outdoor use.** Use of a cord suitable for outdoor use reduces the risk of electric shock.
- f) **If operating a power tool in a damp location is unavoidable, use a residual current device (RCD) protected supply.** Use of an RCD reduces the risk of electric shock.

## 3. PERSONAL SAFETY

- a) **Stay alert, watch what you are doing and use common sense when operating a power tool. Do not use a power tool while you are tired or under the influence of drugs, alcohol or medication.** A moment of inattention while operating power tools may result in serious personal injury.
  - b) **Use personal protective equipment. Always wear eye protection.** Protective equipment such as dust mask, non-skid safety shoes, hard hat, or hearing protection used for appropriate conditions will reduce personal injuries.
  - c) **Prevent unintentional starting. Ensure the switch is in the off-position before connecting to power source and/or battery pack, picking up or carrying the tool.** Carrying power tools with your finger on the switch or energising power tools that have the switch on invites accidents.
  - d) **Remove any adjusting key or wrench before turning the power tool on.** A wrench or a key left attached to a rotating part of the power tool may result in personal injury.
  - e) **Do not overreach. Keep proper footing and balance at all times.** This enables better control of the power tool in unexpected situations.
  - f) **Dress properly. Do not wear loose clothing or jewellery. Keep your hair, clothing and gloves away from moving parts.** Loose clothes, jewellery or long hair can be caught in moving parts.
  - g) **If devices are provided for the connection of dust extraction and collection facilities, ensure these are connected and properly used.** Use of dust collection can reduce dust-related hazards.
  - h) **Do not let familiarity gained from frequent use of tools allow you to become complacent and ignore tool safety principles.** A careless action can cause severe injury within a fraction of a second.
- ## 4. POWER TOOL USE AND CARE
- a) **Do not force the power tool. Use the correct power tool for your application.** The correct power tool will do the job better and safer at the rate for which it was designed.
  - b) **Do not use the power tool if the switch does not turn it on and off.** Any power tool that cannot be controlled with the switch is dangerous and must be repaired.
  - c) **Disconnect the plug from the power source and/or the battery pack from the power tool before making any adjustments, changing accessories, or storing power tools.** Such preventive safety measures reduce the risk of starting the power tool accidentally.
  - d) **Store idle power tools out of the reach of children and do not allow persons unfamiliar with the power tool or these instructions to operate the power tool.** Power tools are dangerous in the hands of untrained users.
  - e) **Maintain power tools. Check for misalignment or binding of moving parts, breakage of parts**

and any other condition that may affect the power tool's operation. If damaged, have the power tool repaired before use. Many accidents are caused by poorly maintained power tools.

- f) **Keep cutting tools sharp and clean.** Properly maintained cutting tools with sharp cutting edges are less likely to bind and are easier to control.
- g) **Use the power tool, accessories and tool bits etc. in accordance with these instructions, taking into account the working conditions and the work to be performed.** Use of the power tool for operations different from those intended could result in a hazardous situation.
- h) **Keep handles and grasping surfaces dry, clean and free from oil and grease.** Slippery handles and grasping surfaces do not allow for safe handling and control of the tool in unexpected situations.

## 5. BATTERY TOOL USE AND CARE

- a) **Recharge only with the charger specified by the manufacturer.** A charger that is suitable for one type of battery pack may create a risk of fire when used with another battery pack.
- b) **Use power tools only with specifically designated battery packs.** Use of any other battery packs may create a risk of injury and fire.
- c) **When battery pack is not in use, keep it away from other metal objects, like paper clips, coins, keys, nails, screws or other small metal objects, that can make a connection from one terminal to another.** Shorting the battery terminals together may cause burns or a fire.
- d) **Under abusive conditions, liquid may be ejected from the battery; avoid contact. If contact accidentally occurs, flush with water. If liquid contacts eyes, additionally seek medical help.** Liquid ejected from the battery may cause irritation or burns.
- e) **Do not use a battery pack or tool that is damaged or modified.** Damaged or modified batteries may exhibit unpredictable behaviour resulting in fire, explosion or risk of injury.
- f) **Do not expose a battery pack or tool to fire or excessive temperature.** Exposure to fire or temperature above 130 °C may cause explosion.
- g) **Follow all charging instructions and do not charge the battery pack or tool outside the temperature range specified in the instructions.** Charging improperly or at temperatures outside the specified range may damage the battery and increase the risk of fire.

## 6. SERVICE

- a) **Have your power tool serviced by a qualified repair person using only identical replacement parts.** This will ensure that the safety of the power tool is maintained.
- b) **Never service damaged battery packs.** Service of battery packs should only be performed by the manufacturer or authorized service providers.

# POLE SAW SAFETY WARNINGS

1. Keep the pole saw a sufficient distance away from overhead electrical power lines.
2. Be aware of the dangerous of operating positions, as well as the risk of being struck by falling branches or branches that, having hit the ground, rebound, the operator may be struck by falling branches or by those that rebound after hitting the ground. Remove the branches in sections.
3. Keep bystanders at a safe distance from the machine during its operation.
4. Keep firm footing and balance during operation, including the need to use the harness provided.
5. Use PPE when operating, including hearing protection, eye protection (visor or glasses) and head protection and clothing.

# SAFETY WARNINGS FOR BATTERY PACK








- a) Do not dismantle, open or shred cells or battery pack.
- b) Do not short-circuit a battery pack. Do not store battery packs haphazardly in a box or drawer where they may short-circuit each other or be short-circuited by conductive materials. When battery pack is not in use, keep it away from other metal objects, like paper clips, coins, keys, nails, screws or other small metal objects, that can make a connection from one terminal to another. Shorting the battery terminals together may cause burns or a fire.
- c) Do not expose battery pack to heat or fire. Avoid storage in direct sunlight.
- d) Do not subject battery pack to mechanical shock.
- e) In the event of battery leaking, do not allow the liquid to come into contact with the skin or eyes. If contact has been made, wash the affected area with copious amounts of water and seek medical advice.
- f) Keep battery pack clean and dry.
- g) Wipe the battery pack terminals with a clean dry cloth if they become dirty.
- h) Battery pack needs to be charged before use. Always refer to this instruction and use the correct charging procedure.
- i) Do not maintain battery pack on charge when not in use.
- j) After extended periods of storage, it may be necessary to charge and discharge the battery pack several times to obtain maximum performance.
- k) Recharge only with the charger specified by Kress. Do not use any charger other than that specifically provided for use with the equipment.

- l) Do not use any battery pack which is not designed for use with the equipment.
- m) Keep battery pack out of the reach of children.
- n) Retain the original product literature for future reference.
- o) Remove the battery from the equipment when not in use.
- p) Dispose of properly.
- q) Do not use battery packs of different manufacture, size or type.
- r) Keep the battery away from microwaves and high pressure.
- s) Warning! Do not use non-rechargeable batteries.


## SAVE THESE INSTRUCTIONS

## SYMBOLS


	To reduce the risk of injury, user must read instruction manual
	WARNING
	Wear ear protection
	Wear eye protection
	Wear dust mask
	Wear head protection
	Protective gloves
	Protective footwear
	Keep sufficient distance away from electrical power lines

	Li-Ion battery. This product has been marked with a symbol relating to 'separate collection' for all battery packs and battery pack. It will then be recycled or dismantled in order to reduce the impact on the environment. Battery packs can be hazardous for the environment and for human health since they contain hazardous substances.
	Do not burn
	Batteries may enter water cycle if disposed improperly, which can be hazardous for ecosystem. Do not dispose of waste batteries as unsorted municipal waste.
	Waste electrical products must not be disposed of with household waste. Please recycle where facilities exist. Check with your local authorities or retailer for recycling advice.
	Environmentally friendly disposal Old electrical appliances must not be disposed of together with the residual waste, but have to be disposed of separately. The disposal at the communal collecting point via private persons is for free. The owner of old appliances is responsible to bring the appliances to these collecting points or to similar collection points. With this little personal effort, you contribute to recycle valuable raw materials and the treatment of toxic substances.
	Unlock
	Lock

# ASSEMBLY & OPERATION

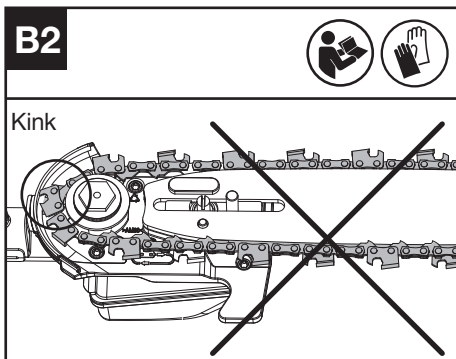
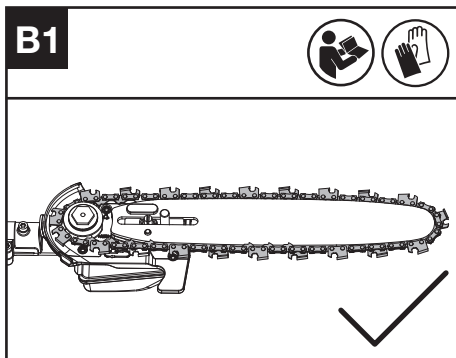
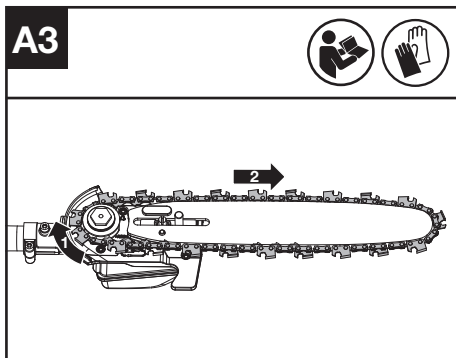
 **NOTE:** Before using the tool, read the instruction book carefully.


## ASSEMBLY

 **WARNING!** Do not install the battery pack before it has been completely assembled. Always use gloves when handling the chain.

### CHAIN AND GUIDE BAR ASSEMBLY

1. Loosen the hex nut to remove the drive cover. Slide the chain in the slot around the guide bar. Ensure the chain is in correct running direction. (See Fig. A1)
2. Fit the chain onto the drive sprocket, so that the bar locating stud on the bar pad fits into the keyway of the opening on the guide bar. (See Fig. A2, A3)
3. Assure all parts are seated properly. Make sure the drive links are fully seated in the drive sprocket (See Fig. B1), avoiding a kink as shown in Fig. B2. If kink occurs, pick up on the chain at the guide bar just ahead of the kink and then pull the kink out.  
**NOTE:** Chain should rotate freely but requires a level of force to rotate the chain
4. Fit the drive cover and tighten the hex nut.

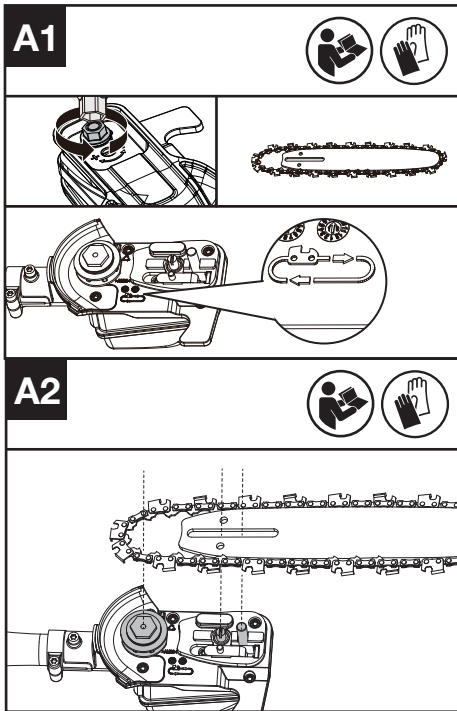


 **WARNING:** The chain is not yet tensioned. Tensioning the chain applies as described under "TENSIONING CHAIN". The chain now needs to be inspected to make sure it is properly tensioned.

### TENSIONING CHAIN (SEE FIG. C, D)

**NOTE:** New saw chains will seat to the bar when first used. Check the chain tension frequently when first used and tighten when the chain becomes loose around the guide bar.

- Removing the battery pack before adjusting saw





chain tension.

- Cutting edges on chain are sharp. Use protective gloves when handling chain.
- Maintain proper chain tension always. A loose chain may jump out of guide bar groove. This may injure operator and damage chain. A loose chain will cause the chain, bar, and sprocket to wear rapidly.

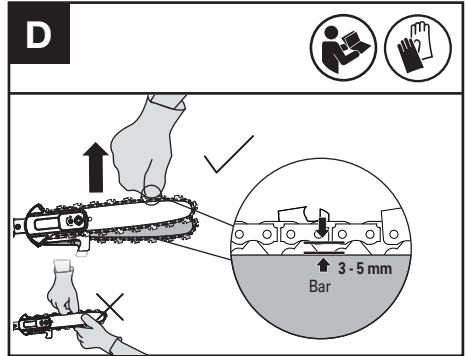
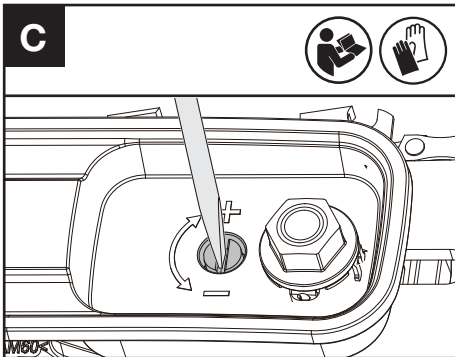
1. Place the pole saw on any suitable flat surface and loosen the hex nut.
2. Turn the chain tensioning screw clockwise until it is tight. (See Fig. C)

**NOTE:** The tension is automatically increased while the chain tensioning screw is being turned in a clockwise direction. Then tighten the hex nut securely.

3. Check the tension set by the chain tensioning screw. The correct chain tension is reached when the chain can be raised approx. Half the driveline depth from the guide bar in the center. This should be done by using a gloved hand to raise the chain against the weight of the machine. (See Fig. D) Then fully tighten the hex nut.

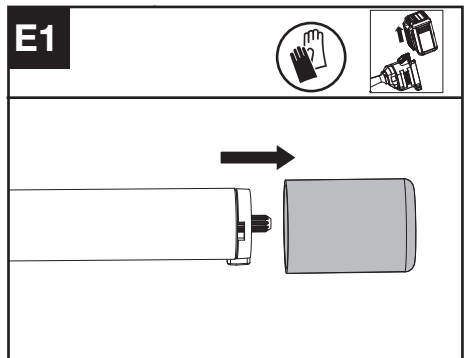
**NOTE:** The chain is properly tensioned when it can be lifted off of the guide bar and the driveline is within the rail of the guide bar.

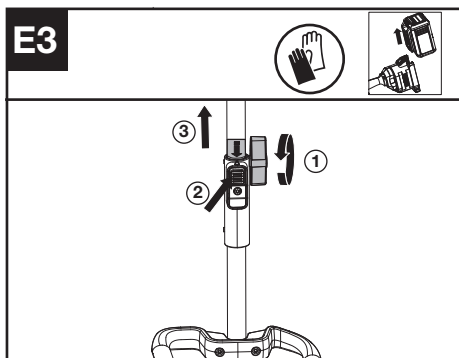
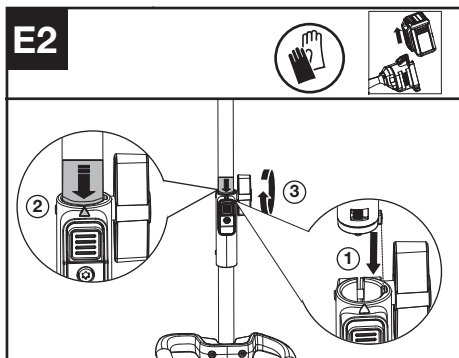
**NOTE:** The chain will loosen while cutting and lose proper tension. When the chain becomes loose, loosen the hex nut, retighten the chain tensioning screw then retighten the hex nut to properly reset the chain tension following steps 1 through 3 listed previously.



### Assembling and disassembling the power head (See Fig. E1, E2, E3)

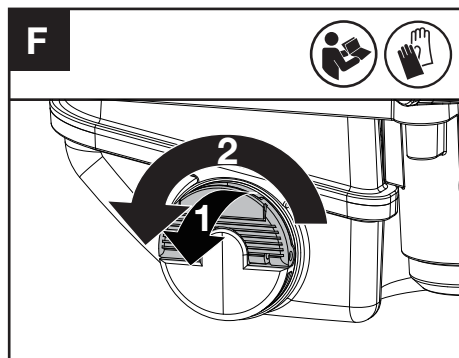
1. Remove the protective cap from the end of the attachment shaft.
2. To assemble, align the triangle icon on the button with the arrow label on the attachment shaft.
3. Push the shafts together until you hear a "click". The edge of the arrow label should be close to the shaft connection housing. (Note: If the pole saw working head cannot be fully installed into the power head, rotate the pole saw working head a little until it is possible to insert the shaft fully.)
4. Finish the assembly by tightening the knob clockwise.
5. To disassemble, loosen the knob, turn counter clockwise, then press the release button and pull the shafts apart. Replace the protective cap on the attachment shaft to ensure that dust and debris do not get into the shaft.





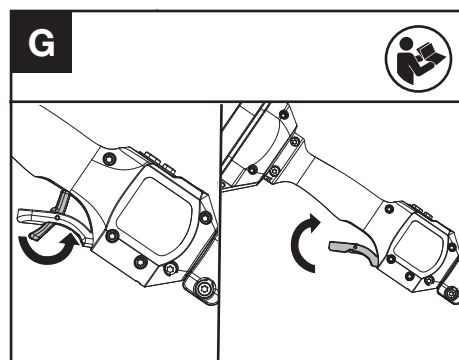
- Avoid dirt or debris entering oil tank, refit oil fill cap and tighten by turning clockwise until hand tight.

**!** It is important to use bar and chain lubricant (not automotive oil) that is formulated to perform over a wide temperature range with no dilution required. This can be found at the location where you purchased this saw or your local hardware store. Do not use dirty, used or otherwise contaminated oils. Damage may occur to the bar or chain. Use of non approved bar & chain oil will void the warranty. Keep bar oil out of reach of children. If swallowed, call a physician immediately. Store away from heat or open flame.



## OPERATION

### Starting the pole saw



- Push the Safety Lock Off Lever forward first, then squeeze and hold the throttle trigger to start the machine

**NOTE:** More details can be found in the power head manual.

Assembly and disassembly information for the extension shaft, please refer to pictures E1, E2, and E3.

## LUBRICATION (SEE FIG. F)

**!** **IMPORTANT:** The pole saw is not filled with bar & chain oil. It is essential to fill with bar & chain oil before use. Never operate the pole saw without bar & chain oil or allow the tank to become empty, as this will result in extensive damage to the product.

**NOTE:** Chain life and cutting capacity depend on optimum lubrication. Therefore, the chain is automatically oiled during operation.

### FILLING OIL TANK:

**!** **WARNING:** Remove the battery pack before filling the oil tank.

- Set pole saw on any suitable surface with oil fill cap facing upward.
- Clean area around the oil fill cap with cloth and unscrew the cap by turning it counter clockwise.
- Add bar & chain oil until tank is almost completely full.

## CUTTING

**!** **IMPORTANT: Check oil tank periodically. Check recent replaced chain tension every time you replace the battery pack.**

- (1) Installing the battery pack into the machine.
- (2) Do not allow the chain to come in contact with ground while operating as this will dull the chain.
- (3) Use both hands to grip saw.
- (4) Make sure your footing is firm. Keep feet-shoulder width apart. Distribute your weight evenly on both feet.
- (5) When ready to make a cut, follow the above starting procedures and speed selection. This will turn saw on. Releasing the trigger will turn the saw off. Make sure the saw is running at full speed before starting a cut.
- (6) When starting a cut, slowly place moving chain against the wood. The wood should be as close to the cutting head as possible. Hold saw firmly in place to avoid possible bouncing or skating (sideways movement) of saw.
- (7) Guide the saw using light pressure and do not put excessive force on the saw, letting the saw do its work. The motor will overload and can burn out. It will do the job better and safer at the rate for which it was intended.
- (8) Remove the saw from a cut with the saw running at full speed. Stop the saw. Make sure the chain has stopped before setting the saw down.
- (9) Practice on scrap logs in a secure working area until you are comfortable, using a fluid motion and a steady cutting rate.

## KICKBACK SAFETY DEVICES ON THIS SAW

This saw has a low-kickback chain and reduced kickback guide bar. Both items reduce the chance of kickback. However, kickback can still occur with this pole saw.

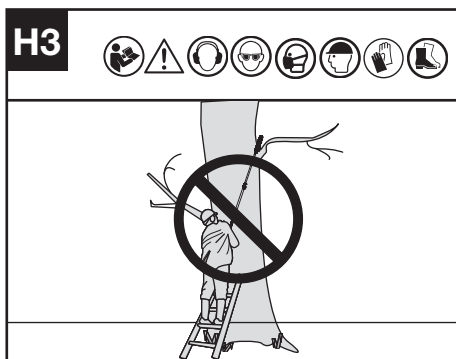
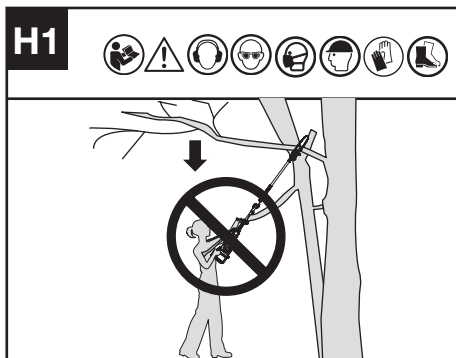
The following steps will reduce the risk of kickback.

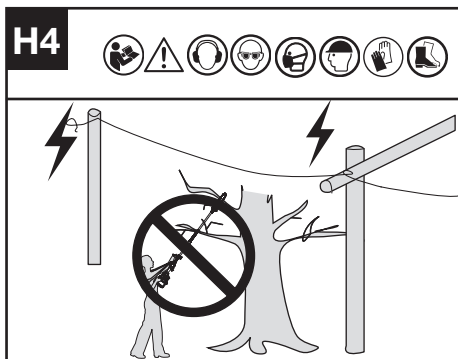
- Use both hands to grip saw while saw is running. Use firm grip.
- Keep all safety items in place on saw. Make sure they work properly.
- Keep solid footing and balance at all times.
- Stand slightly to the left side of saw. This keeps your body from being in direct line with chain.
- Do not let guide bar nose touch anything when chain is moving.
- Do not bury the guide bar nose or try plunge cut (boring into wood using guide bar nose).
- Watch for shifting of wood or other forces that may pinch chain.
- Use extreme caution when re-entering a previous cut.
- Use only the low-kickback chain and guide bar that were supplied with this pole saw or recommended.
- Never use a dull or loose chain. Keep chain sharp with proper tension.

## CUTTING HIGH BRANCHES

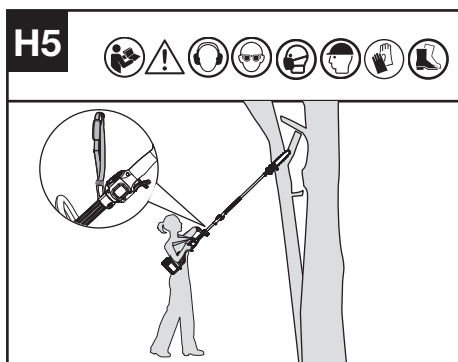
1. Install the battery pack into the machine.

2. Before cutting a high branch, pay particular attention to the likely path of the falling branch.  
**WARNING:** Do not stand directly below a branch being cut. Keep bystanders far away. Do not stand on a ladder or other type of unstable support while using the tool. Do not use the tool near cable, electrical power or telephone lines. Keep 10 ft (3m) away from all power lines. (See Fig. H1-H4)





- Use both hands to grip the pole saw and cut branches.



#### TRIMMING A TREE (PRUNING)

**WARNING: Avoid kickback. Kickback can result in severe injury or death.**

**See Kickback, to avoid risk of kickback.**

**WARNING: Do not operate pole saw while**

- in a tree
- on a ladder or any other unstable surface
- in any awkward position

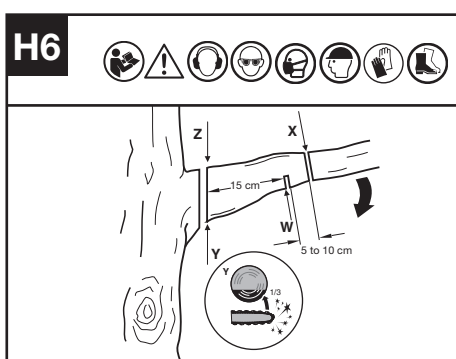
**You may lose control of pole saw causing severe injury.**

**CAUTION: Seek professional help if facing conditions beyond your ability.**

Trimming a tree is the process of cutting limbs from a living tree. Make sure your footing is firm. Keep feet apart. Divide your weight evenly on both feet.

Follow directions below to trim a tree.

- Make the first cut a few inches (c) from the tree trunk on underside of limb. Use top of guide bar to make this cut. Cut 1/3 through diameter of limb (See Fig. H6).



- Move a few inches (30% of c) farther up on limb. Make second cut from above limb. Continue cut until you cut limb off.
- Make the third cut as close to the tree trunk as possible fully severing the remaining stub. Use bottom of guide bar to make this cut.

#### FOR BATTERY TOOLS

The recommended ambient temperature range for discharging is -4 °F-113 °F (-20 °C-45 °C).

The recommended ambient temperature range for the charging system during charging is 23 °F-113 °F (-5 °C-45 °C).

## TRANSPORTATION

#### Transporting the pole saw

- Switch off the pole saw and remove the battery.
- When transporting your pole saw by hand, hold the pole of the pole saw making sure the machine is parallel to the ground and the bar is facing rearward.
- When transporting your pole saw in a vehicle, secure and position it to prevent movement or damage.

## SAW MAINTENANCE

Follow the maintenance instructions in this manual. Proper cleaning and maintenance of saw, chain and guide bar can reduce chances of wear. Inspect and maintain saw after each use. This will increase the service life of your saw. If the saw gets wet in the rain during operation, the machine and the battery pack should be dried before storing or charging.

## MAINTENANCE AND STORAGE OF POLE SAW

- Remove the battery pack**
  - When not in use

- Before moving from one place to another
- Before servicing
- Before changing accessories or attachments, such as saw chain and bar

**2. Inspect pole saw before and after each use.**

Check saw closely if the guard or other part has been damaged. Check for any damage that may affect operator safety or operation of saw. Check for alignment or binding of moving parts. Check for broken or damaged parts. Do not use pole saw if damage affects safety or operation. Have damage repaired by authorized service center.

**3. Maintain pole saw with care.**

- Keep chain sharp, clean, and lubricated for better and safer performance.
- Follow steps outlined in this manual to sharpen chain.
- Keep handles dry, clean, and free of oil and grease.
- Keep all screws and nuts tight.

**4. When servicing, use only identical replacement parts.**

**5. When not in use, always store pole saw**

- in a high or locked place, out of children's reach
- in a dry place
- with protective scabbard in position

**BAR MAINTENANCE**

To maximize bar life, the following bar maintenance is recommended.

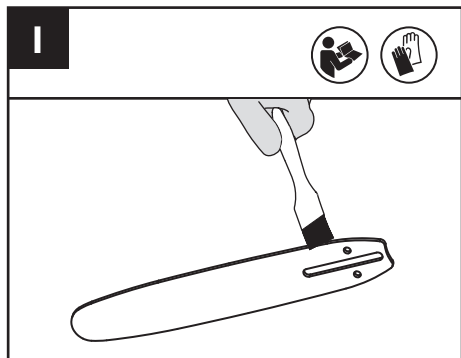
The bar rails that carry the chain should be cleaned before storing the tool or if the bar or chain appear to be dirty.

The rails should be cleaned every time the chain is removed.

Occasional de-burring of the bar rails may be necessary with a flat file

**TO CLEAN THE BAR RAILS**

1. Remove chain cover, bar and chain. (see section ASSEMBLY)
2. Using a wire brush, screwdriver or similar tool, clear the residue from the inner groove of the bar. (See Fig. I)
3. Make sure to clean oil passages thoroughly.



**CONDITIONS WHICH REQUIRE CHAIN AND GUIDE BAR MAINTENANCE:**

- Saw cuts to one side or at an angle.
- Saw has to be forced through the cut.
- Inadequate supply of oil to the bar and chain.

Check the condition of the guide bar each time the chain is sharpened. A worn guide bar will damage the chain and make cutting difficult.

After each use, remove the battery pack, clean all sawdust from the guide bar and sprocket hole.

When rail top is uneven, use a flat file to restore square edges by removing any burrs from the side or top of the bar.



Replace the guide bar when the groove is worn, the guide bar is bent or cracked, or when excess heating or burring of the rails occurs. If replacement is necessary, use only the guide bar specified for your saw in the repair parts list or on the decal located on the pole saw.

**REPLACING BAR & CHAIN**

Replace chain when cutters are too worn to sharpen or when the chain becomes inoperable. Only use replacement chain noted in this manual.

Inspect guide bar before sharpening chain. A worn or damaged guide bar is unsafe. A worn or damaged guide bar will damage chain. It will also make cutting harder.

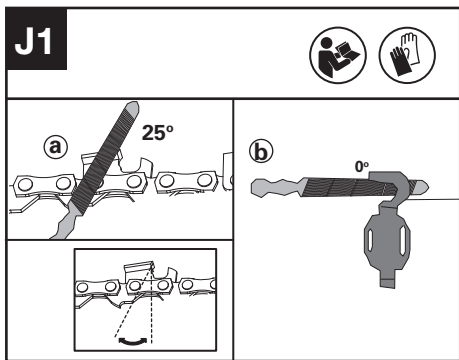
**SHARPENING SAW CHAIN**

**WARNING: Remove the battery pack before servicing. Severe injury or death could occur from electrical shock or body contact with moving chain.**

**Cutting edges on chain are sharp. Use protective gloves when handling chain.**

Keep chain sharp. Your saw will cut faster and more safely. A dull chain will cause undue sprocket, guide bar, chain, and motor wear. If you must force chain into wood and cutting creates only fine sawdust with few large chips, chain is dull.

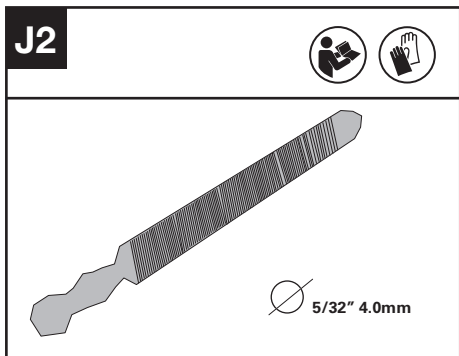
**Before sharpening, please pay attention of the following steps:( See Fig. J1)**



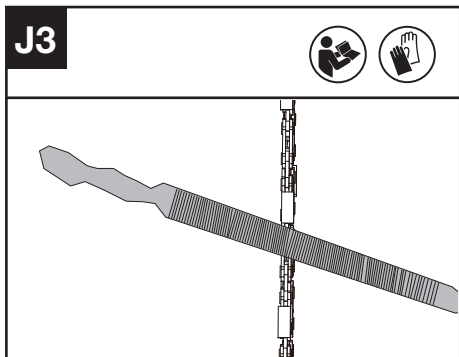
a: Filing angle; b: file position

### How to sharpen the cutters

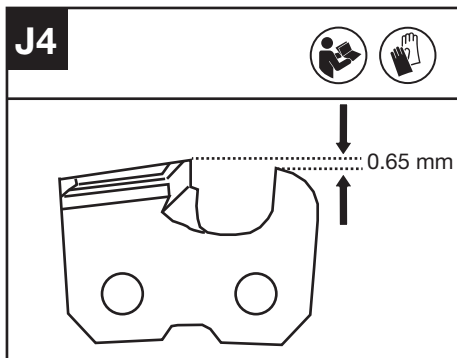
1. Prepare a round file to sharpen the cutters. (See Fig J2). **Note:** Firmly clamp the guide bar in a vice before sharpening the chain. Ensure that the chain is not "nipped" and can freely move on the guide bar. Check that the chain is properly tensioned. (See "Tensioning Chain" section)



2. Sharpen the cutters with file from the inner side of cutting teeth towards the outside of the chain. (See Fig. J3)



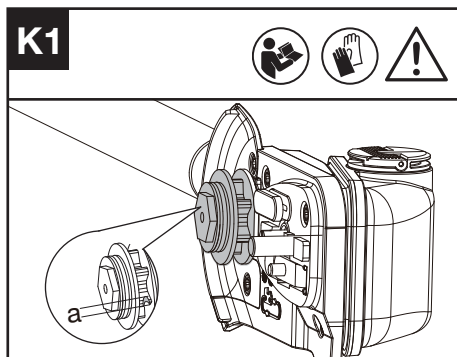
3. File all the cutters on one side of the guide bar.
4. Turn the chainsaw around and file all of the cutters on the opposite side.
5. Ensure that the length of all cutting teeth is same. To ensure efficient, safe and smooth cutting, file the depth gauge height to 0.65mm. Make sure that the leading edge of the depth gauge is rounded off. (See Fig. J4)

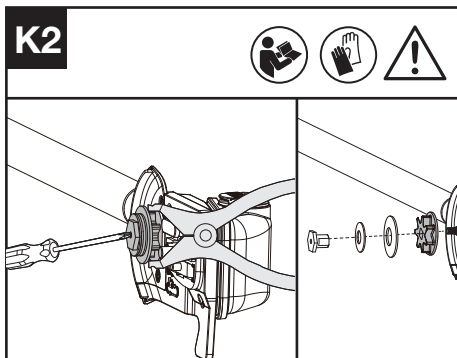


## INSPECKING AND MAINTAINING THE CHAIN SPROCKET

**WARNING:** Before check, it is a must to turn off the pole saw and remove the battery.

1. Remove the dive sprocket cover, saw chain and guide bar.
2. Check if the wear marks are deeper than  $a=0.5\text{mm}$  as shown in Fig. K1, if so, then the chain sprocket should be replaced. (See Fig. K1)
3. When replace chain sprocket, control the sprocket with pliers and use screwdriver to loosen nut and replace it. (See Fig. K2)





## CLEANING

1. Switch off the pole saw and remove the battery.
2. Do not use aggressive detergents or solvents.  
Clean the machine after use with a damp cloth dipped in mild detergent.
3. Keep battery connection free of dirt and debris, and clean with a soft and dry brush or cloth.
4. Do not spray water onto the motor and electrical components.
5. Do not use pressure washer to clean your machine.

## STORAGE

1. Remove the battery pack from the pole saw before storage.
2. Store the pole saw and the battery in a dry and secure place that is inaccessible to children and other unauthorized people.
3. If the saw gets wet in the rain during operation, the machine and the battery pack should be dried before storing or charging.

# TROUBLESHOOTING TABLE

The following table gives checks and actions that you can perform if your machine does not operate correctly. If these do not identify/remedy the problem, contact your service agent.



**WARNING: Switch off and remove the battery pack before investigating fault.**

Symptom	Possible Cause	Remedy
Pole saw fails to operate	Battery depleted	Charge the battery pack
Pole saw operates intermittently	Over heating	Place the machine in a cool, ventilated place to cool it down
	Applying too much pressure while cutting.	Apply less pressure while cutting
	Loose connection.	Contact your service agent.
	Internal wiring defective.	
	On/off trigger defective.	
Dry chain	No oil in oil tank	Refill oil
	Vent in oil fill cap clogged	Clean cap
	Oil passage clogged	Clean oil passage outlet
Chain/chain bar over-heats	No oil in oil tank	Refill oil
	Vent in oil fill cap clogged	Clean cap
	Oil passage clogged	Clean oil passage outlet
	Chain is over tensioned	Adjust chain tension
	Dull chain	Sharpen chain or replace
Pole saw vibrates, does not saw properly	Chain tension too loose	Adjust chain tension
	Dull chain	Sharpen chain or replace
	Chain worn out	Replace chain
	Chain teeth are facing in the wrong direction	Reassemble with chain in correct direction

## TECHNICAL DATA

	<b>KAC361</b>
Bar length	25 cm
Chain speed	High: 17 m/s Low: 13 m/s
Oil tank capacity	160 ml
Chain pitch	3/8" LP
Chain gauge	1.1 mm
Degree of protection	IPX4
Machine weight	1.8 kg



# COMBINATIONS OF CUTTING ATTACHMENTS

Cutting attachment
KAC333-10"/25cm 0.043"/1.1mm 3/8 LP bar
KAC302-10"/25cm 0.043"/1.1mm 3/8 LP chain
KAC335-12"/30cm 0.043"/1.1mm 3/8 LP bar
KAC304-12"/30cm 0.043"/1.1mm 3/8 LP chain

## INFORMATION WITH EXTENSION SHAFT(KAC360) NOISE DATA

A weighted sound pressure  $L_{pA} = 79 \text{ dB(A)}$   
 $K_{pA} = 3 \text{ dB(A)}$

A weighted sound power  $L_{wA} = 94,1 \text{ dB(A)}$   
 $K_{wA} = 1,1 \text{ dB(A)}$

Wear ear protection.



## VIBRATION INFORMATION

Vibration total values (triax vector sum) determined according to EN ISO 11680-1.

Vibration emission value	$a_h = 1,3 \text{ m/s}^2$
	uncertainty $K = 1,5 \text{ m/s}^2$

## INFORMATION WITHOUT EXTENSION SHAFT NOISE DATA

A weighted sound pressure  $L_{pA} = 82 \text{ dB(A)}$   
 $K_{pA} = 3 \text{ dB(A)}$

A weighted sound power  $L_{wA} = 93 \text{ dB(A)}$   
 $K_{wA} = 1,5 \text{ dB(A)}$

Wear ear protection.



## VIBRATION INFORMATION

Vibration total values (triax vector sum) determined according to EN ISO 11680-1.

Vibration emission value	$a_h = 1.87 \text{ m/s}^2$
	uncertainty $K = 1.5 \text{ m/s}^2$

The declared vibration total value may be used for comparing one tool with another, and may also be

used in a preliminary assessment of exposure.

**WARNING:** The vibration emission value during actual use of the power tool can differ from the declared value depending on the ways in which the tool is used dependant on the following examples and other variations on how the tool is used:

How the tool is used and the materials being cut or drilled.

The tool being in good condition and well maintained Using the correct accessory for the tool and ensuring it is sharp and in good condition.

The tightness of the grip on the handles and if any anti vibration accessories are used.

And the tool is being used as intended by its design and these instructions.

This tool may cause hand-arm vibration syndrome if its use is not adequately managed

**WARNING:** To be accurate, an estimation of exposure level in the actual conditions of use should also take account of all parts of the operating cycle such as the times when the tool is switched off and when it is running idle but not actually doing the job. This may significantly reduce the exposure level over the total working period.

Helping to minimise your vibration exposure risk.

ALWAYS use sharp chisels, drills and blades

Maintain this tool in accordance with these instructions and keep well lubricated (where appropriate)

If the tool is to be used regularly then invest in anti vibration accessories.

Plan your work schedule to spread any high vibration tool use across a number of days.

EN

## ENVIRONMENTAL PROTECTION

Waste electrical products must not be disposed of with household waste. Please recycle where facilities exist. Check with your local authorities or retailer for recycling advice.

## DECLARATION OF CONFORMITY

We,  
 Positec Germany GmbH  
 Postfach 680194, 50704 Cologne, Germany

On behalf of Positec declare that the product  
**Description:** Battery-powered pole saw  
**Type:** KAC361 (361 - designation of machinery, representative of pole saw)  
**Function:** Cutting high branches

Complies with the following Directives:

**2006/42/EC, 2014/30/EU, 2011/65/EU & (EU)2015/863, 2000/14/EC amended by 2005/88/EC**

The notified body involved

Name: Intertek Deutschland GmbH (Notified body 0905)

Address: Stangenstraße 1, 70771 LEINFELDEN-ECHTERDINGEN

Certification No.: 24SHW0160

**Information with extension shaft(KAC360)**

2000/14/EC amended by 2005/88/EC:

- Conformity Assessment Procedure as per Annex V
- Measured Sound Power Level 94 dB(A)
- Declared Guaranteed Sound Power Level 96 dB(A)

**Information without extension shaft**

2000/14/EC amended by 2005/88/EC:

- Conformity Assessment Procedure as per Annex V
- Measured Sound Power Level 93 dB(A)
- Declared Guaranteed Sound Power Level 95 dB(A)

Standards conform to:

**EN 62841-1, EN ISO 11680-1, EN ISO 3744, EN IEC 55014-1, EN IEC 55014-2, EN IEC 63000**

The person authorized to compile the technical file,

**Name: Marcel Filz**

**Address: Positec Germany GmbH**

**Postfach 680194, 50704 Cologne, Germany**



2024/01/26

Allen Ding

Deputy Chief Engineer, Testing & Certification

Positec Technology (China) Co., Ltd.

18, Dongwang Road, Suzhou Industrial

Park, Jiangsu 215123, P. R. China

# DECLARATION OF CONFORMITY

Park, Jiangsu 215123, P. R. China

We,  
Positec (UK & Ireland) Ltd  
PO Box 6242, Newbury, RG14 9LT, UK

On behalf of Positec declare that the product  
**Description:** Battery-powered pole saw  
**Type:** KAC361 (361 - designation of machinery, representative of pole saw)  
**Function:** Cutting high branches

Complies with the following regulations:  
**Supply of Machinery (Safety) Regulations 2008**  
**Electromagnetic Compatibility Regulations 2016**  
**The Restriction of the Use of Certain Hazardous Substances in Electrical and Electronic Equipment Regulations**

## Noise Emission in the Environment by Equipment for Use Outdoors Regulations

The notified body involved  
Name: Intertek Deutschland GmbH (Notified body 0905)  
Address: Stangenstraße 1, 70771 LEINFELDEN-ECHTERDINGEN  
Certification No.: 24SHW0160

### Information with extension shaft(KAC360)

- Conformity Assessment Procedure as per SCHEDULE 8
- Measured Sound Power Level 94 dB(A)
- Declared Guaranteed Sound Power Level 96 dB(A)

### Information without extension shaft

- Conformity Assessment Procedure as per SCHEDULE 8
- Measured Sound Power Level 93 dB(A)
- Declared Guaranteed Sound Power Level 95 dB(A)

Standards conform to:  
**BS EN 62841-1, BS EN ISO 11680-1, BS EN ISO 3744, BS EN IEC 55014-1, BS EN IEC 55014-2, BS EN IEC 63000**

The person authorized to compile the technical file,  
**Name** Jim Kirkwood  
**Address** Positec (UK & Ireland) Ltd  
PO Box 6242, Newbury, RG14 9LT, UK



2024/01/26  
Allen Ding  
Deputy Chief Engineer, Testing & Certification  
Positec Technology (China) Co., Ltd.  
18, Dongwang Road, Suzhou Industrial

EN

# INHALTSVERZEICHNIS

Einführung.....	20
Komponenten.....	21
Produktsicherheit.....	22
Montage und bedienung.....	25
Kettenschmierung.....	26
Betrieb.....	26
Transport.....	30
Wartung der säge.....	30
Reinigung.....	33
Lagerung.....	33
<b>D</b> Problemlösung.....	34
Technische daten.....	34
Konformitätserklärung.....	36

## EINFÜHRUNG

Sehr geehrter Kunde,

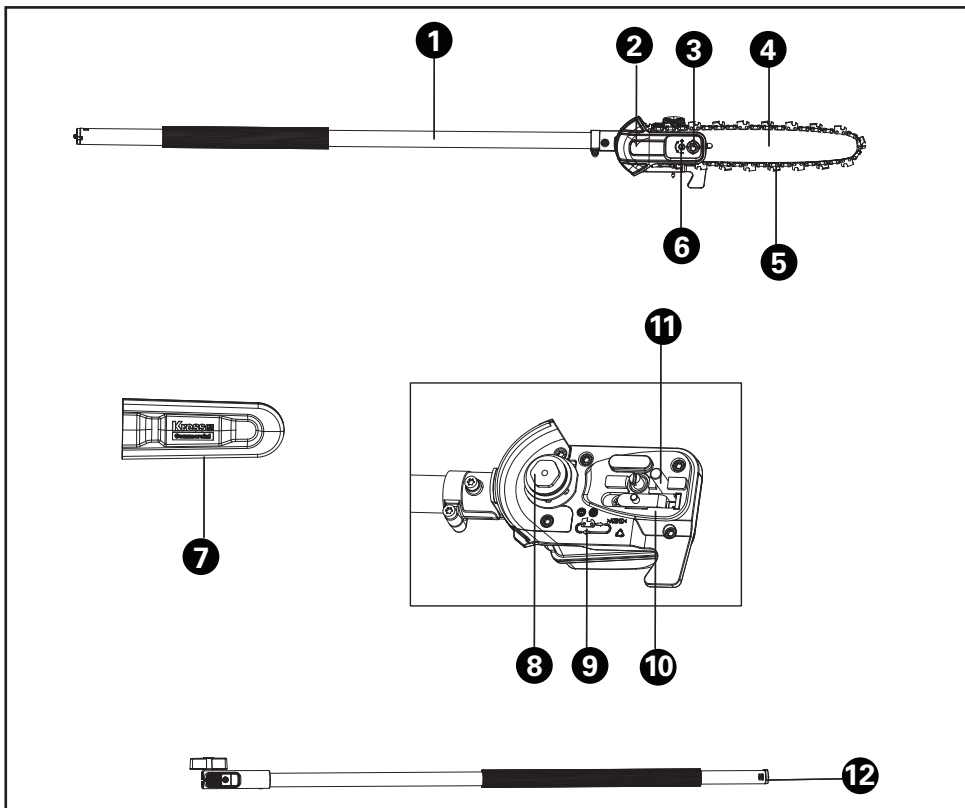
Vielen Dank, dass Sie dieses Kress Commercial-Produkt gekauft haben. Wir sind bestrebt, qualitativ hochwertige Produkte zu entwickeln, die Ihren Anforderungen im gewerblichen Landschaftsbau gerecht werden.

Die Marke Kress steht für erstklassigen Service. Wenn Sie im Laufe der Jahre Fragen oder Bedenken zu Ihrem Produkt haben, wenden Sie sich bitte an Ihren Händler oder an unser Kundendienstteam, um Hilfe zu erhalten.

Wir sind zuversichtlich, dass Sie in den kommenden Jahren die Arbeit mit Ihrem Kress-Produkt genießen werden

## VERWENDUNGSZWECK

In Verbindung mit dem KAC104-Antriebskopf , diese Teleskopsäge ist für das Beschneiden und Schneiden von Ästen außerhalb der Reichweite der Arme konzipiert. Alle Schnitte sollten quer zur Maserung erfolgen. Dieses Produkt ist ausschließlich für das Schneiden von Holz vorgesehen.




## KOMPONENTEN

- |     |                             |
|-----|-----------------------------|
| 1.  | WELLE                       |
| 2.  | ANTRIEBSABDECKUNG           |
| 3.  | SECHSKANTMUTTER             |
| 4.  | SCHWERT                     |
| 5.  | SÄGEKETTE                   |
| 6.  | KETTENSANNSCHRAUBE          |
| 7.  | SCHWERTSCHUTZ               |
| 8.  | ANTRIEBSZAHNRAD             |
| 9.  | KETTENRICHTUNGSSYMBOL       |
| 10. | KETTENSANNSBOLZEN           |
| 11. | SCHIENEN-BEFESTIGUNGSBOLZEN |
| 12. | VERLÄNGERUNGSSCHAFT*        |

\* Abgebildetes oder beschriebenes Zubehör gehört teilweise nicht zum Lieferumfang.

# ORIGINALBETRIEBSANLEITUNG PRODUKTSICHERHEIT ALLGEMEINE SICHERHEITSHINWEISE FÜR ELEKTROWERKZEUGE

 **WARNUNG!** Machen Sie sich mit allen Sicherheitswarnungen, Anweisungen, Abbildungen und Spezifikationen vertraut, die mit diesem Elektrowerkzeug geliefert werden.

Die Nichtbeachtung der unten aufgeführten Anweisungen kann in elektrischen Schlägen, Feuer und/oder schweren Verletzungen resultieren. **Bewahren Sie alle Sicherheitshinweise und Anweisungen für die Zukunft auf.**

Der in den Sicherheitshinweisen verwendete Begriff „Elektrowerkzeug“ bezieht sich auf akkubetriebene Elektrowerkzeuge (ohne Netzkabel).

## 1. ARBEITSPLATZSICHERHEIT

- a) **Halten Sie Ihren Arbeitsbereich sauber und gut beleuchtet.** Unordnung oder unbeleuchtete Arbeitsbereiche können zu Unfällen führen.
- b) **Arbeiten Sie mit dem Elektrowerkzeug nicht in explosionsgefährdeter Umgebung, in der sich brennbare Flüssigkeiten, Gase oder Stäube befinden.** Elektrowerkzeuge erzeugen Funken, die den Staub oder die Dämpfe entzünden können.
- c) **Halten Sie Kinder und andere Personen während der Benutzung des Elektrowerkzeugs fern.** Bei Ablenkung können Sie die Kontrolle über das Gerät verlieren.

## 2. ELEKTRISCHE SICHERHEIT

- a) **Der Anschlussstecker des Elektrowerkzeuges muss in die Steckdose passen. Der Stecker darf in keiner Weise verändert werden. Verwenden Sie keine Adapterstecker gemeinsam mit geschützten Elektrowerkzeugen.** Unveränderte Stecker und passende Steckdosen verringern das Risiko eines elektrischen Schlages.
- b) **Vermeiden Sie Körperkontakt mit geerdeten Oberflächen wie von Rohren, Heizungen, Herden und Kühlschränken.** Es besteht ein erhöhtes Risiko durch elektrischen Schlag, wenn Ihr Körper geerdet ist.
- c) **Betreiben Sie das Gerät nicht bei Regen oder bei Nässe.** Dies kann das Risiko eines Stromschlags erhöhen. Wenn das Gerät beim Betrieb im Regen nass geworden ist, sollten Sie es und den Akku vor dem Lagern oder Laden trocknen. Nehmen Sie den Akku heraus und setzen Sie ihn wieder ein, wenn sich das Gerät nicht einschalten lässt. Halten Sie den Akkuanschluss frei von Schmutz und Ablagerungen und reinigen Sie ihn mit einer weichen und trockenen Bürste oder einem Tuch.
- d) **Zweckfremden Sie das Kabel nicht, um das Elektrowerkzeug zu tragen, aufzuhängen oder um den Stecker aus der Steckdose zu**

ziehen. Halten Sie das Kabel fern von Hitze, Öl, scharfen Kanten oder sich bewegenden Geräteteilen. Beschädigte oder verwickelte Kabel erhöhen das Risiko eines elektrischen Schlages.

- e) **Wenn Sie mit einem Elektrowerkzeug im Freien arbeiten, verwenden Sie nur Verlängerungskabel, die auch für den Außenbereich geeignet sind.** Die Anwendung eines für den Außenbereich geeigneten Verlängerungskabels verringert das Risiko eines elektrischen Schlages.
- f) **Wenn der Betrieb des Elektrowerkzeuges in feuchter Umgebung nicht vermeidbar ist, verwenden Sie einen Fehlerstromschutzschalter.** Der Einsatz eines Fehlerstromschutzschalters vermindert das Risiko eines elektrischen Schlages.

## 3. SICHERHEIT VON PERSONEN

- a) **Seien Sie aufmerksam, achten Sie darauf, was Sie tun, und gehen Sie mit Vernunft an die Arbeit mit einem Elektrowerkzeug. Benutzen Sie kein Elektrowerkzeug, wenn Sie müde sind oder unter dem Einfluss von Drogen, Alkohol oder Medikamenten stehen.** Ein Moment der Unachtsamkeit beim Gebrauch des Elektrowerkzeuges kann zu ernsthaften Verletzungen führen.
- b) **Tragen Sie persönliche Schutzausrüstung und immer eine Schutzbrille.** Das Tragen persönlicher Schutzausrüstung, wie Staubmaske, rutschfeste Sicherheitsschuhe, Schutzhelm oder Gehörschutz, je nach Art und Einsatz des Elektrowerkzeuges, verringert das Risiko von Verletzungen.
- c) **Vermeiden Sie eine unbeabsichtigte Inbetriebnahme. Vergewissern Sie sich, dass das Elektrowerkzeug ausgeschaltet ist, bevor Sie es an den Akku anschließen, es aufnehmen oder tragen.** Wenn Sie beim Tragen des Elektrowerkzeuges den Finger am Schalter haben oder das Gerät eingeschaltet an die Stromversorgung anschließen, kann dies zu Unfällen führen.
- d) **Entfernen Sie Einstellwerkzeuge oder Schraubenschlüssel, bevor Sie das Elektrowerkzeug einschalten.** Ein Werkzeug oder Schlüssel, der sich in einem drehenden Geräteteil befindet, kann zu Verletzungen führen.
- e) **Vermeiden Sie eine abnormale Körperhaltung. Sorgen Sie für einen sicheren Stand und halten Sie jederzeit das Gleichgewicht.** Dadurch können Sie das Elektrowerkzeug in unerwarteten Situationen besser kontrollieren.
- f) **Tragen Sie geeignete Kleidung. Tragen Sie keine weite Kleidung oder Schmuck. Halten Sie Haare, Kleidung und Handschuhe fern von sich bewegenden Teilen.** Lockere Kleidung, Schmuck oder lange Haare können von sich bewegenden Teilen erfasst werden.
- g) **Wenn Staubabsaug- und -auffangeinrichtungen montiert werden können, vergewissern Sie sich, dass diese**

**angeschlossen sind und richtig verwendet werden.** Verwendung einer Staubabsaugung kann Gefährdungen durch Staub verringern.

- h) Vermeiden Sie, durch die häufige Nutzung des Werkzeugs in einen Trott zu verfallen und Prinzipien für die Werkzeugsicherheit zu ignorieren.** Eine unachtsame Aktion kann im Bruchteil einer Sekunde zu schweren Verletzungen führen.

#### **4. VERWENDUNG UND BEHANDLUNG DES ELEKTROWERKZEUGES**

- a) Überlasten Sie das Gerät nicht. Verwenden Sie für Ihre Arbeit das dafür bestimmte Elektrowerkzeug.** Mit dem passenden Elektrowerkzeug arbeiten Sie besser und sicherer im angegebenen Leistungsbereich.

- b) Benutzen Sie kein Elektrowerkzeug, dessen Schalter defekt ist.** Ein Elektrowerkzeug, das sich nicht mehr ein- oder ausschalten lässt, ist gefährlich und muss repariert werden.

- c) Entfernen Sie den Akku, bevor Sie Geräteeinstellungen vornehmen, Zubehörteile wechseln oder das Gerät weglegen.** Diese Vorsichtsmaßnahme verhindert den unbeabsichtigten Start des Elektrowerkzeuges.

- d) Bewahren Sie unbenutzte Elektrowerkzeuge außerhalb der Reichweite von Kindern auf. Lassen Sie Personen das Gerät nicht benutzen, die mit diesem nicht vertraut sind oder diese Anweisungen nicht gelesen haben.** Elektrowerkzeuge sind gefährlich, wenn Sie von unerfahrenen Personen benutzt werden.

- e) Pflegen Sie Elektrowerkzeuge mit Sorgfalt. Kontrollieren Sie, ob bewegliche Teile einwandfrei funktionieren und nicht klemmen, ob Teile gebrochen oder so beschädigt sind, dass die Funktion des Elektrowerkzeuges beeinträchtigt ist. Lassen Sie beschädigte Teile vor dem Einsatz des Gerätes reparieren.** Viele Unfälle haben ihre Ursache in schlecht gewarteten Elektrowerkzeugen.

- f) Halten Sie Schneidwerkzeuge scharf und sauber. Sorgfältig gepflegte Schneidwerkzeuge mit scharfen Schneidkanten verklemmen sich weniger und sind leichter zu führen.**

- g) Verwenden Sie Elektrowerkzeug, Zubehör, Einsatzwerkzeuge usw. entsprechend diesen Anweisungen. Berücksichtigen Sie dabei die Arbeitsbedingungen und die auszuführende Tätigkeit.** Der Gebrauch von Elektrowerkzeugen für andere als die vorgesehenen Anwendungen kann zu gefährlichen Situationen führen.

- h) Halten Sie die Griffe trocken, sauber und frei von Öl und Fett.** Rutschige Griffe und Oberflächen unterbinden die sichere Bedienbarkeit und Kontrolle über das Werkzeug in unerwarteten Situationen.

#### **5. VERWENDUNG UND BEHANDLUNG DES AKKUWERKZEUGS**

- a) Laden Sie die Akkus nur in Ladegeräten auf, die vom Hersteller empfohlen werden.** Für ein

Ladegerät, das für eine bestimmte Art von Akku geeignet ist, besteht Brandgefahr, wenn es mit anderen Akkus verwendet wird.

- b) Verwenden Sie nur die dafür vorgesehenen Akkus in den Elektrowerkzeugen.** Der Gebrauch von anderen Akkus kann zu Verletzungen und Brandgefahr führen.

- c) Halten Sie den nicht benutzten Akku fern von Büroklammern, Münzen, Schlüsseln, Nägeln, Schrauben oder anderen kleinen Metallgegenständen, die eine Überbrückung der Kontakte verursachen könnten.** Ein Kurzschluss zwischen den Akkukontakten kann Verbrennungen oder Feuer zur Folge haben.

- d) Bei falscher Anwendung kann Flüssigkeit aus dem Akku austreten. Vermeiden Sie den Kontakt damit. Bei zufälligem Kontakt mit Wasser abspülen.** Wenn die Flüssigkeit in die Augen kommt, nehmen Sie zusätzlich ärztliche Hilfe in Anspruch. Austretende Akkuflüssigkeit kann zu Hautreizungen oder Verbrennungen führen.

- e) Verwenden Sie kein Akkupack oder Werkzeug, das beschädigt ist.** Beschädigte oder modifizierte Akkus können unvorhersehbare Reaktionen auslösen und zu Bränden, Explosionen oder Verletzungen führen.

- f) Setzen Sie das Akkupack oder Werkzeug keinem Feuer oder übermäßig hohen Temperaturen aus.** Die Belastung durch Feuer oder Temperaturen über 130 °C kann zur Explosion führen.

- g) Befolgen Sie alle Ladeanweisungen, und laden Sie das Akkupack oder Werkzeug nicht außerhalb des in den Anweisungen festgelegten Temperaturbereichs auf.** Ein unsachgemäßer Ladevorgang oder Temperaturen außerhalb des festgelegten Bereichs können den Akku schädigen und die Brandgefahr erhöhen.

#### **6. SERVICE**

- a) Lassen Sie Ihr Elektrowerkzeug nur von qualifiziertem Fachpersonal und nur mit Original-Ersatzteilen reparieren.** Damit wird sichergestellt, dass die Sicherheit des Gerätes erhalten bleibt.

- b) Führen Sie niemals Wartungsarbeiten an beschädigten Akkus durch.** Die Wartung von Akkupacks darf nur vom Hersteller selbst oder autorisierten Dienstleistern durchgeführt werden..

## **SICHERHEITSHINWEISE FÜR TELESKOPSÄGE**

1. Halten Sie die Teleskopsäge in ausreichendem Abstand von elektrischen Freileitungen.
2. Achten Sie auf die Gefahr von Betriebspositionen sowie die Gefahr von herabfallenden Ästen getroffen zu werden, oder von Ästen, die nach dem Aufprall auf den Boden zurückprallen. Der Bediener kann

von herabfallenden Ästen oder von solchen getroffen werden, die nach dem Aufprall auf den Boden zurückprallen. Entfernen Sie die Äste abschnittsweise.

3. Halten Sie Unbeteiligte während des Betriebs in sicherem Abstand von der Maschine.
4. Bewahren Sie beim Betrieb stets einen sicheren Stand und das Gleichgewicht. Verwenden Sie den beiliegenden Tragegurt.
5. Verwenden Sie beim Betrieb PSA, einschließlich Gehörschutz, Augenschutz (Visier oder Brille) und Kopfschutz und Kleidung.

## SICHERHEITS HINWEISE ZUM AKKUPACK

- a) Zellen bzw. Akkupack nicht zerlegen, öffnen oder zerdrücken.
- b) Akkupack nicht kurzschließen. Akkupacks nicht wahllos in einer Schachtel oder Schublade aufbewahren, wo sie einander kurzschließen oder durch andere leitfähige Materialien kurzgeschlossen werden könnten. Bei Nichtverwendung des Akkupacks ist dieses von Metallgegenständen fernzuhalten, wie etwa Büroklammern, Münzen, Nägeln, Schrauben oder anderen kleinen Metallgegenständen, wo sich die Batterieklemmen berühren könnten. Das Kurzschließen der Batterieklemmen kann Verbrennungen bzw. einen Brand verursachen.
- c) Zellen bzw. Akkupacks nicht Hitze oder Feuer aussetzen. Lagerung in direktem Sonnenlicht vermeiden.
- d) Akkupack nicht mechanischen Stößen aussetzen.
- e) Im Fall, dass Flüssigkeit aus dem Akku austritt, darf diese nicht in Kontakt mit der Haut oder den Augen kommen. Sollte dies dennoch geschehen, den betroffenen Bereich sofort mit viel Wasser spülen und einen Arzt aufsuchen.
- f) Akkupack sauber und trocken halten.
- g) Sollten die Klemmen des Akkupacks schmutzig werden, diese mit einem sauberen, trockenen Tuch abwischen.
- h) Akkupack muss vor Gebrauch aufgeladen werden. Immer dieses Anweisungen beachten und den korrekten Ladevorgang ausführen.
- i) Akkupack bei Nichtverwendung nicht längere Zeit aufladen lassen.
- j) Nach längerer Lagerung des Gerätes ist es eventuell notwendig, die Zellen oder das Akkupack mehrere Male aufzuladen und zu entladen, um eine optimale Leistung zu erhalten.
- k) Nur mit dem von Kress bezeichneten Ladegerät aufladen. Kein Ladegerät verwenden, das nicht ausdrücklich für den Gebrauch mit dem Gerät vorgesehen ist.
- l) Kein Akkupack verwenden, das nicht für den

Gebrauch mit dem Gerät vorgesehen ist.







- m) Akkupacks von Kindern fernhalten.
- n) Die originalen Produkturnterlagen zum späteren Nachschlagen aufbewahren.
- o) Den Akku bei Nichtverwendung aus dem Gerät nehmen.
- p) Ordnungsgemäß entsorgen.
- q) Vermischen Sie keine Zellen verschiedener Hersteller, Kapazitäten, Größen oder Typen innerhalb eines Geräts.
- r) Halten Sie den Akku von Mikrowellen und hohem Druck fern.
- s) Achtung! Verwenden Sie keine Einwegbatterien.

BEWAHREN SIE DIESE ANWEISUNGEN AUF


## SYMBOLE

	Zur Reduzierung der Verletzungsgefahr bitte die Bedienungsanleitung durchlesen
	WARNUNG
	Tragen Sie einen Gehörschutz
	Tragen Sie eine Schutzbrille
	Tragen Sie eine Staubmaske
	Tragen Sie Schutzausrüstung für den Kopf.
	Tragen Sie Schutzhandschuhe
	Tragen Sie Schutzstiefel.
	Genügend Abstand zu Stromleitungen einhalten




 <p>Li-Ion</p>	<p>Lithium-Ionen-Akku: Dieses Produkt wurde mit einem Symbol markiert, das sich auf die 'gesonderte Sammlung' aller Akkupacks und Akkus bezieht. Es wird anschließend recycelt oder demontiert, um die Beeinträchtigung der Umwelt zu verringern. Akkupacks können die Umwelt und menschliche Gesundheit beeinträchtigen, da diese schädliche Substanzen enthalten.</p>
	<p>Nicht verbrennen</p>
	<p>Wenn die Akkus unsachgemäß behandelt wird, kann sie in den Wasserkreislauf gelangen und das Ökosystem schädigen. Entsorgen Sie verbrauchte Akkus nicht über den Hausmüll.</p>
	<p>Elektroprodukte dürfen nicht mit dem normalen Haushaltsmüll entsorgt werden, sondern sollten nach Möglichkeit zu einer Recyclingstelle gebracht werden. Ihre zuständigen Behörden oder Ihr Fachhändler geben Ihnen hierzu gerne Auskunft.</p> <p>Umweltgerechte Entsorgung. Elektroaltgeräte dürfen nicht zusammen mit dem Restmüll entsorgt werden, sondern müssen separat entsorgt werden. Die Entsorgung bei der kommunalen Sammelstelle durch Privatpersonen ist kostenlos. Der Besitzer von Altgeräten ist dafür verantwortlich, die Geräte zu diesen oder ähnlichen Sammelstellen zu bringen. Mit diesem kleinen persönlichen Aufwand tragen Sie zur Wiederverwertung wertvoller Rohstoffe und zur Behandlung von Schadstoffen bei.</p>
	<p>Entsperren</p>
	<p>Sperren</p>

## MONTAGE UND BEDIENUNG

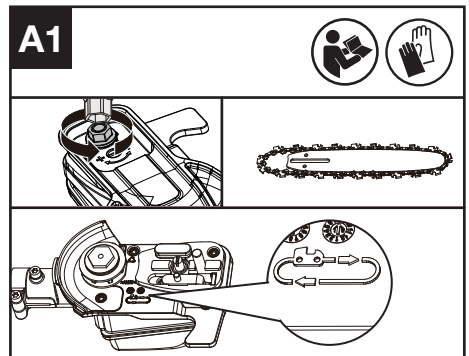
 **HINWEIS:** Lesen Sie das Handbuch vor Inbetriebnahme des Werkzeuges sorgfältig durch

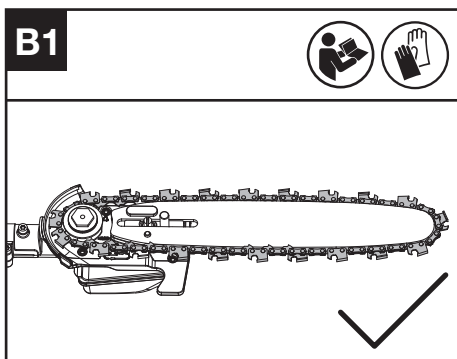
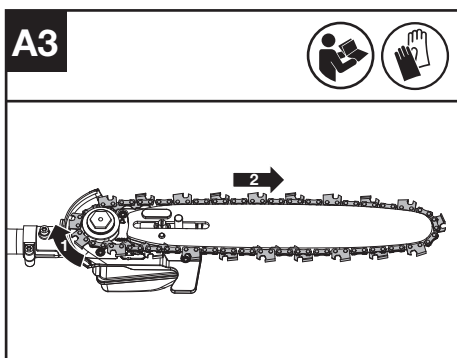
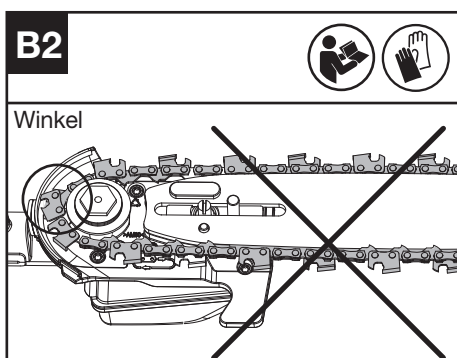
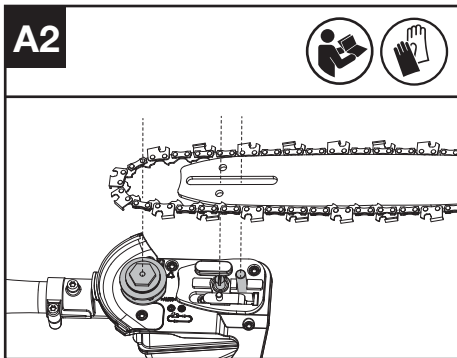
## MONTAGE

 **WARNUNG!** Legen Sie das Akkupack nicht ein, bevor es vollständig montiert wurde. Bei Handhabung der Sägekette stets Schutzhandschuhe tragen.

## MONTAGE VON KETTE UND SCHNITTFÜHRUNGSSCHIENE

1. Lösen Sie die Sechskantmutter, um die Antriebsabdeckung zu entfernen. Schieben Sie die Kette in den Schlitz um die Führungsschiene. Stellen Sie sicher, dass die Kette in der richtigen Laufrichtung ist. (Siehe Abb. A1)
2. Setzen Sie die Kette auf das Antriebszahnrad, sodass der Bolzen auf der Schienenauflage in die Nut des Öffnungs-Schlüsselwegs auf der Führungsschiene passt. (Siehe Abb. A2, A3)
3. Stellen Sie sicher, dass alle Teile ordnungsgemäß eingesetzt sind. Achten Sie darauf, dass die Antriebsglieder vollständig im Antriebszahnrad sitzen (Siehe Abb. B1), um einen Knick, wie in Abb. B2 gezeigt, zu vermeiden. Wenn ein Knick auftritt, heben Sie die Kette an der Führungsschiene kurz vor dem Knick an und ziehen Sie dann den Knick heraus.  
HINWEIS: Die Kette sollte sich frei drehen, erfordert jedoch eine gewisse Kraft, um sich zu drehen.
4. Setzen Sie die Antriebsabdeckung ein und ziehen Sie die Sechskantmutter fest.





**!** **WARNUNG:** Die Kette ist noch nicht gespannt. Spannen Sie die Kette wie unter „Spannen der Sägekette“ beschrieben. Überprüfen Sie nun, dass die Kette richtig gespannt ist.

**KETTENSPIGUNG (SIEHE ABB. C, D)**

**HINWEIS:** Neue Sägeketten setzen sich bei erstmaliger Verwendung auf der Schiene ab. Überprüfen Sie die Kettenspannung häufig, wenn Sie die Säge zum ersten Mal verwenden, und ziehen Sie nach, wenn sich die Kette um die Führungsschiene lockert.

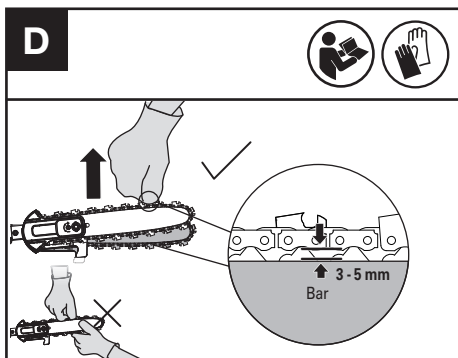
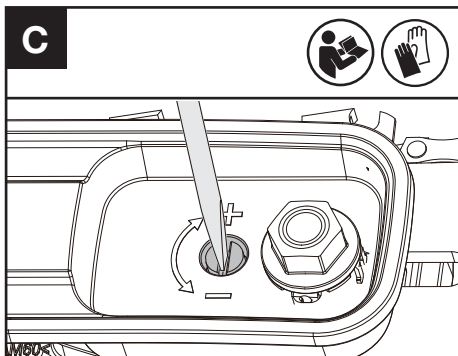
- Entfernen Sie den Akkupack, bevor Sie die Kettenspannung einstellen.
- Die Schneidkanten der Kette sind scharf. Verwenden Sie Schutzhandschuhe beim Umgang mit der Kette.
- Achten Sie immer auf die richtige Kettenspannung. Eine zu lockere Kette kann aus der Führungsschiene springen. Dies kann den Bediener verletzen und die Kette beschädigen. Eine zu lockere Kette führt dazu, dass die Kette, die Schiene und das Zahnrad schnell verschleifen.

1. Stellen Sie die Teleskopsäge auf eine geeignete, flache Oberfläche und lockern Sie die Sechskantmutter.
2. Drehen Sie die Kettenspannschraube im Uhrzeigersinn, bis sie fest sitzt. (Siehe Abb. C) **HINWEIS:** Die Spannung erhöht sich automatisch, während die Kettenspannschraube im Uhrzeigersinn gedreht wird. Ziehen Sie dann die Sechskantmutter fest an.
3. Überprüfen Sie die durch die Kettenspannschraube eingestellte Spannung. Die korrekte Kettenspannung ist erreicht, wenn die Kette in der Mitte der Führungsschiene etwa die Hälfte der Tiefenmessgliederhöhe angehoben werden kann. Dies sollte durch Anheben der Kette mit einer behandschuhten Hand gegen das Gewicht der Maschine erfolgen. (Siehe Abb. D) Ziehen Sie dann die Sechskantmutter fest an. **HINWEIS:** Die Kette ist richtig gespannt, wenn sie von der Führungsschiene abgehoben werden

D

kann und das Tiefenmessglied innerhalb der Schiene liegt.

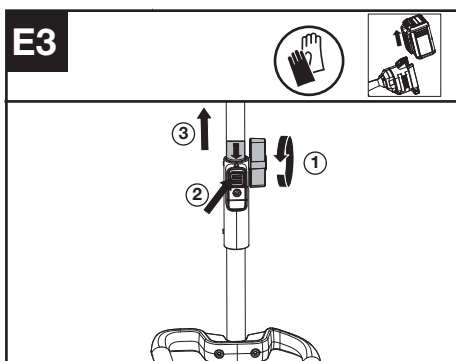
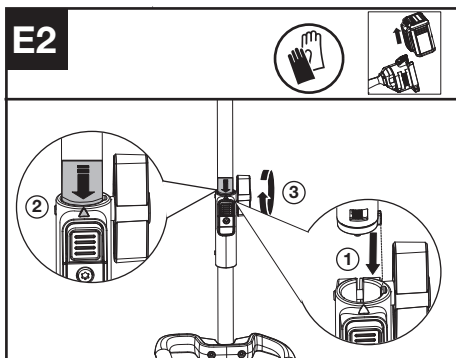
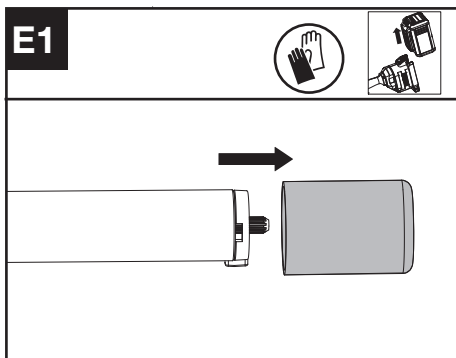
**HINWEIS:** Die Kette lockert sich beim Schneiden und verliert die richtige Spannung. Wenn die Kette locker wird, lockern Sie die Sechskantmutter, ziehen Sie die Kettenspannschraube erneut fest und ziehen Sie dann die Sechskantmutter fest, um die Kettenspannung gemäß den zuvor aufgeführten Schritten 1 bis 3 ordnungsgemäß zurückzusetzen.



### Montage und Demontage des Antriebskopfes (Siehe Abb. E1, E2, E3)

1. Entfernen Sie die Schutzkappe vom Ende des Aufsatzschafes.
2. Richten Sie zum Zusammenbauen das Dreieckssymbol auf dem Knopf mit der Pfeilmarkierung auf dem Aufsatzschaf aus.
3. Schieben Sie die Schäfte zusammen, bis Sie ein „Klick“ hören. Die Kante der Pfeilmarkierung sollte nah am Gehäuse des Aufsatzschafes liegen. (Hinweis: Wenn der Sägekopf nicht vollständig in den Antriebskopf Kink DE 9 eingeschoben werden kann, den Sägekopf etwas drehen, bis der Schaft vollständig eingeschoben werden kann.)
4. Schließen Sie das Zusammenbauen ab, indem Sie den Knopf im Uhrzeigersinn festziehen.
5. Zum Auseinanderbauen lösen Sie den Knopf,

drehen ihn gegen den Uhrzeigersinn, drücken dann den Entriegelungsknopf und ziehen die Wellen auseinander. Setzen Sie die Schutzkappe wieder auf den Aufnahmeschacht, um sicherzustellen, dass kein Staub oder Schmutz in den Schaft gelangen kann.



Montage- und Demontageinformationen für die Verlängerungswelle finden Sie in den Bildern E1, E2 und E3.

# KETTENSCHMIERUNG (SIEHE ABB. F)

**!** **WICHTIG:** Die Teleskopsäge ist nicht mit Kettenöl gefüllt. Es ist unerlässlich, vor der Verwendung mit Kettenöl zu füllen.

Betreiben Sie die Teleskopsäge niemals ohne Kettenöl oder lassen Sie den Tank leer werden, da dies zu erheblichen Schäden am Produkt führen kann.

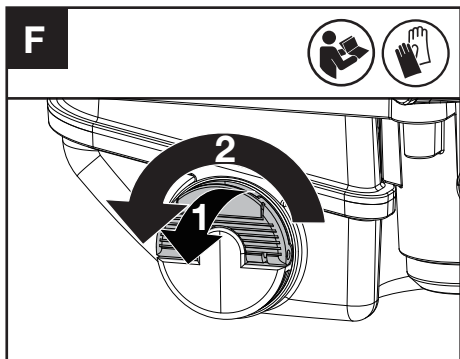
**HINWEIS:** Die Lebensdauer der Kette und die Schnittleistung hängen von einer optimalen Schmierung ab. Daher wird die Kette während des Betriebs automatisch geölt.

## ÖLTANK FÜLLEN:

**!** **WARNUNG:** Entfernen Sie den Akkumpack, bevor Sie den Öltank füllen.

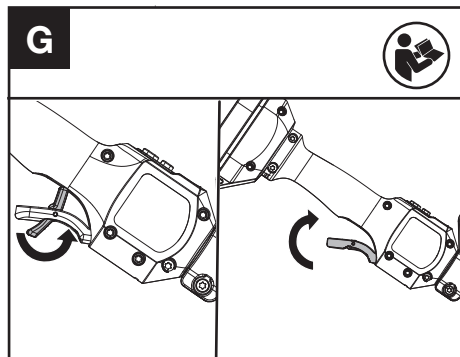
1. Stellen Sie die Teleskopsäge auf eine geeignete ebene Oberfläche mit dem Öleinfüllstutzen nach oben.
2. Reinigen Sie den Bereich um den Öleinfüllstutzen mit einem Tuch und schrauben Sie den Deckel gegen den Uhrzeigersinn ab.
3. Fügen Sie Kettenöl hinzu, bis der Tank fast voll ist.
4. Vermeiden Sie, dass Schmutz oder Ablagerungen in den Öltank gelangen. Setzen Sie den Öleinfüllstutzen wieder ein und ziehen Sie ihn im Uhrzeigersinn handfest an.

**!** Es ist wichtig, ein Schienen- und Ketten-Schmiermittel zu verwenden (kein Autoöl), das für einen breiten Temperaturbereich formuliert ist und keine Verdünnung erfordert. Dieses ist an dem Ort erhältlich, an dem Sie diese Säge gekauft haben. Verwenden Sie kein schmutziges, gebrauchtes oder anderweitig kontaminiertes Öl. Es könnte zu Schäden an der Schiene oder Kette führen. Die Verwendung von nicht zugelassenem Schienen- und Kettenöl hebt die Garantie auf. Halten Sie das Schienenöl außerhalb der Reichweite von Kindern. Wenn es verschluckt wird, rufen Sie sofort einen Arzt an. Lagern Sie es fern von Hitze oder offener Flamme.



# BETRIEB

## Starten der Stangensäge



1. Drücken Sie den Sicherheitssperre zuerst nach vorne, dann drücken und halten Sie den Gashebel, um die Maschine zu starten.

**HINWEIS:** Weitere Details finden Sie im Handbuch für das Leistungsteil.

## ARBEITEN

**!** **WICHTIG:** Überprüfen Sie regelmäßig den Öltank. Überprüfen Sie bei jedem Wechsel des Akkumpacks die Kettenspannung.

- (1) Das Einsetzen des Akkumpacks in die Maschine.
- (2) Verhindern Sie, dass die Kette während des Betriebs den Boden berührt, da dies die Kette stumpf macht.
- (3) Verwenden Sie beide Hände, um die Säge zu greifen.
- (4) Stellen Sie sicher, dass Ihr Stand fest ist. Halten Sie die Füße schulterbreit auseinander und verteilen Sie Ihr Gewicht gleichmäßig auf beiden Füßen.
- (5) Wenn Sie bereit sind, einen Schnitt zu machen, befolgen Sie die oben genannten Startverfahren und wählen Sie die Geschwindigkeit. Dadurch wird die Säge eingeschaltet. Das Loslassen des Abzugs schaltet die Säge aus. Stellen Sie sicher, dass die Säge mit voller Geschwindigkeit läuft, bevor Sie einen Schnitt beginnen.
- (6) Wenn Sie einen Schnitt beginnen, setzen Sie die sich bewegende Kette langsam gegen das Holz. Das Holz sollte so nah wie möglich am Schneidkopf sein. Halten Sie die Säge fest an Ort und Stelle, um ein mögliches Springen oder Gleiten (seitliche Bewegung) der Säge zu vermeiden.
- (7) Führen Sie die Säge mit leichtem Druck und setzen Sie nicht übermäßige Kraft ein. Lassen Sie die Säge ihre Arbeit machen. Der Motor kann überlastet werden und durch übermäßige Kraft verbrennen. Die Säge erledigt die Arbeit besser und sicherer in dem für sie vorgesehenen Tempo.
- (8) Entfernen Sie die Säge aus einem Schnitt mit

voller Geschwindigkeit. Stoppen Sie die Säge. Stellen Sie sicher, dass die Kette gestoppt ist, bevor Sie die Säge absetzen.

- (9) Üben Sie an Abfallstämmen in einem sicheren Arbeitsbereich, bis Sie sich mit einer flüssigen Bewegung und einer gleichmäßigen Schnittgeschwindigkeit wohl fühlen.

## RÜCKSCHLAG-SICHERHEITSEINRICHTUNGEN AN DIESER SÄGE

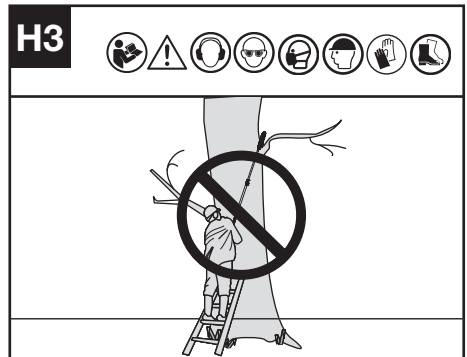
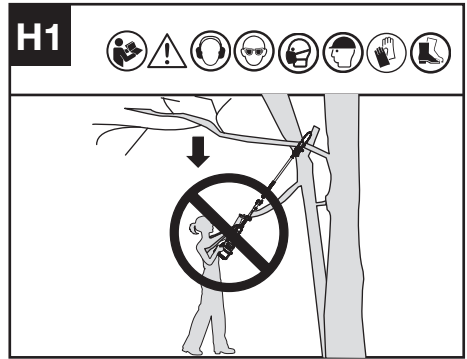
Diese Säge verfügt über eine Niedrig-Rückschlag-Kette und eine reduzierte Rückschlag-Führungsschiene. Beide Komponenten verringern die Wahrscheinlichkeit von Rückschlägen. Dennoch können Rückschläge auch bei dieser Teleskopsäge auftreten.

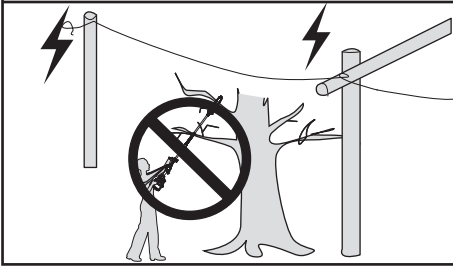
Die folgenden Maßnahmen reduzieren das Risiko von Rückschlägen:

- Verwenden Sie beide Hände, um die Säge zu greifen, während sie läuft. Halten Sie fest.
- Stellen Sie sicher, dass alle Sicherheitsvorrichtungen an der Säge angebracht und funktionsfähig sind.
- Halten Sie jederzeit festen Stand und Gleichgewicht.
- Stehen Sie leicht zur linken Seite der Säge, um Ihren Körper nicht in direkter Linie mit der Kette zu haben.
- Lassen Sie die Nasenspitze der Führungsschiene nichts berühren, wenn die Kette sich bewegt.
- Begraben Sie die Nasenspitze der Führungsschiene nicht oder versuchen Sie keinen Einstichschnitt (Langlochbohrung ins Holz mit der Nasenspitze der Führungsschiene).
- Achten Sie auf Verschiebungen des Holzes oder andere Kräfte, die die Kette einklemmen könnten.
- Seien Sie äußerst vorsichtig beim Wiedereintritt in einen vorherigen Schnitt.
- Verwenden Sie nur die Niedrig-Rückschlag-Kette und die Führungsschiene, die mit dieser Teleskopsäge mitgeliefert wurden oder empfohlen werden.
- Verwenden Sie niemals eine stumpfe oder lose Kette. Halten Sie die Kette scharf und mit angemessener Spannung.

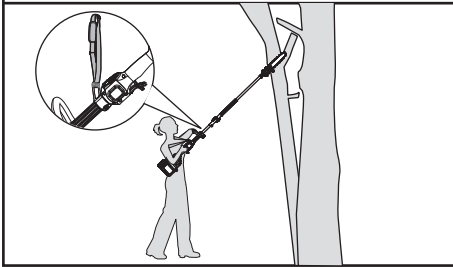
## SCHNEIDEN VON HOHEN ÄSTEN

1. Setzen Sie den Akku in die Maschine ein.
2. Bevor Sie einen hohen Ast schneiden, achten Sie besonders auf den wahrscheinlichen Weg des fallenden Astes. **WARNUNG:** Stehen Sie nicht direkt unter einem zu schneidenden Ast. Halten Sie Zuschauer fern. Verwenden Sie das Werkzeug nicht in der Nähe von Kabeln, elektrischer Energie oder Telefonleitungen. Halten Sie einen Abstand von 3 Metern zu allen Stromleitungen ein. (Siehe Abb. H1-H4)



**H4**

3. Die Säge mit beiden Händen festhalten und die Äste durchtrennen.

**H5**

#### TRIMMEN EINES BAUMS (ENTASTEN)

**WARNUNG:** Vermeiden Sie Rückschläge. Der Rückschlag kann zu schweren Verletzungen oder zum Tod führen.

Siehe „Rückschlag“, um die Rückschlaggefahr einzudämmen.

**WARNUNG:** Verwenden Sie die Teleskopsäge nicht, wenn Sie

- in einem Baum sind
- auf einer Leiter oder anderen instabilen Oberfläche stehen
- sich in einer ungewöhnlichen Position befinden

Sie könnten die Kontrolle über die Teleskopsäge verlieren und schwere Verletzungen verursachen.

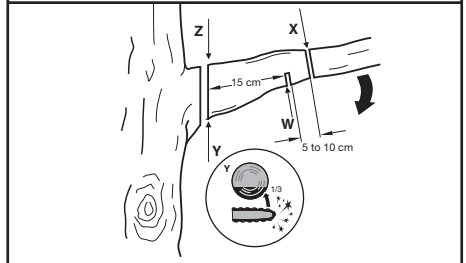
**WARNUNG:** Suchen Sie professionelle Hilfe auf, wenn Sie Bedingungen vorfinden, die Ihre Fähigkeiten übersteigen.

Das Trimmen eines Baums ist ein Prozess, bei dem Äste von einem lebenden Baum geschnitten werden. Vergewissern Sie sich, dass Sie einen festen Stand haben. Stehen Sie breitbeinig. Verteilen Sie ihr Gewicht gleichmäßig auf beide Füße.

Halten Sie sich an die nachfolgenden Anweisungen, um den Baum zu trimmen.

1. Machen Sie den ersten Schnitt einige Zentimeter (c) vom Stamm des Baumes auf der Unterseite

des Astes. Verwenden Sie die Oberseite der Führungsschiene, um diesen Schnitt zu machen. Schneiden Sie 1/3 des Durchmessers des Astes durch (Siehe Abb. H6).

**H6**

2. Bewegen Sie sich einige Zentimeter (30 % von c) weiter den Ast hinauf. Machen Sie den zweiten Schnitt von oben auf dem Ast. Setzen Sie den Schnitt fort, bis Sie den Ast abschneiden.
3. Machen Sie den dritten Schnitt so nah wie möglich am Baumstamm, um den verbleibenden Stumpf vollständig zu durchtrennen. Verwenden Sie die Unterseite des Schwerts, um diesen Schnitt auszuführen.

#### Bei Akkuwerkzeugen

Die optimale Betriebstemperatur beträgt -20 °C ~ 45 °C.

Der empfohlene Umgebungstemperaturbereich für die Ladestation liegt zwischen -5 °C ~ 45 °C.

## TRANSPORT

#### Transportieren der Teleskopsäge

1. Schalten Sie die Teleskopsäge aus und entfernen Sie den Akku.
2. Halten Sie beim Transportieren Ihrer Teleskopsäge von Hand den Stiel der Teleskopsäge so, dass die Maschine parallel zum Boden liegt und die Schiene nach hinten zeigt.
3. Wenn Sie Ihre Teleskopsäge im Fahrzeug transportieren, sichern und positionieren Sie sie, um Bewegung oder Beschädigung zu verhindern.

## WARTUNG DER SÄGE

Beachten Sie die Wartungsanweisungen in diesem Handbuch. Eine ordnungsgemäße Reinigung und Wartung der Säge, Kette und Führungsschiene kann die Abnutzung verringern. Inspizieren und warten Sie die Säge nach jedem Gebrauch. Hierdurch können Sie die Lebensdauer der Säge verlängern. Wenn die Maschine während des Betriebs im Regen nass

geworden ist, sollten die Maschine und der Akku vor dem Lagern oder Laden getrocknet werden.

## WARTUNG UND LAGERUNG DER TELESKOPSÄGE

### 1. Entfernen Sie den Akkupack

- Wenn nicht in Gebrauch
- Vor dem Umzug von einem Ort zum anderen
- Vor Wartungsarbeiten
- Vor dem Wechsel von Zubehör oder Anbauteilen wie Sägekette und Führungsschiene

### 2. Inspizieren Sie die Teleskopsäge vor und nach jedem Gebrauch.

Überprüfen Sie die Säge genau, wenn der Schutz oder ein anderes Teil beschädigt wurde. Überprüfen Sie auf Schäden, welche die Sicherheit des Bedieners oder den Betrieb der Säge beeinträchtigen können. Überprüfen Sie die Ausrichtung oder das Blockieren beweglicher Teile. Überprüfen Sie auf gebrochene oder beschädigte Teile. Verwenden Sie die Teleskopsäge nicht, wenn Schäden die Sicherheit oder den Betrieb beeinträchtigen. Lassen Sie Schäden von einem autorisierten Servicecenter reparieren.

### 3. Pflegen Sie die Teleskopsäge sorgfältig.

- Halten Sie die Kette scharf, sauber und geschmiert für eine bessere und sicherere Leistung.
  - Befolgen Sie die in diesem Handbuch beschriebenen Schritte zum Schärfen der Kette.
  - Halten Sie Griffe trocken, sauber und frei von Öl und Fett.
  - Halten Sie alle Schrauben und Muttern fest.
- ### 4. Verwenden Sie bei Wartungsarbeiten nur identische Ersatzteile.

### 5. Wenn nicht in Gebrauch, lagern Sie die Teleskopsäge immer

- An einem hohen oder verschlossenen Ort, außerhalb der Reichweite von Kindern
- An einem trockenen Ort
- Mit Schwertschutz in Position.

## WARTUNG DER FÜHRUNGSSCHIENE

Damit Ihre Führungsschiene eine möglichst lange Gebrauchsdauer erreicht, werden folgende Wartungsarbeiten empfohlen.

Die Führungsschiene, auf der die Kette läuft, muss vor dem Einlagern oder wenn die Kette oder die Führungsschiene verschmutzt ist, gereinigt werden. Ferner sollten die Führungsschiene bei jedem Abnehmen der Kette gesäubert werden.

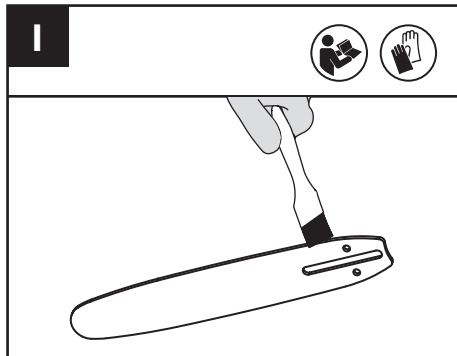
Eine regelmäßige Gratentfernung der Schienen könnte erforderlich sein.

### REINIGEN DER FÜHRUNGSSCHIENE:

1. Entfernen Sie die Kettenabdeckung sowie die Schiene und die Kette. (siehe Abschnitt MONTAGE)
2. Verwenden Sie eine Drahtbürste, einen

Schraubendreher oder ein ähnliches Werkzeug, um Rückstände aus der inneren Nut der Schiene zu entfernen. (Siehe Abb. I)

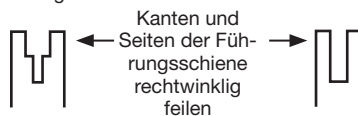
3. Stellen Sie sicher, dass die Ölpässe gründlich gereinigt werden.



### ZUSTÄNDE, DIE EINE WARTUNG DER KETTE UND FÜHRUNGSSCHIENE ERFORDERN:

- Sägeschnitte einseitig oder im Winkel.
- Die Säge muss durch den Schnitt gedrückt werden.
- Unzureichende Ölversorgung von Führungsschiene und Kette.

Überprüfen Sie bei jedem Schärfen der Kette auch den Zustand der Führungsschiene. Eine ausgearbeitete Führungsschiene führt zur Beschädigung der Kette und erschwert das Sägen. Nach jedem Gebrauch sollte das gesamte Gerät, insbesondere das Kettenradgehäuse und die Führungsschiene, bei ausgebaute Batterie, von allen Sägemehlrückständen gereinigt werden. Unebenheiten der Laufschiene der Kette sind mit einer feinen Flachfeile so zu beheben, dass wieder rechtwinklige Kanten und Seiten vorhanden sind.



Ausgearbeitete Nut

Einwandfreie Nut

Ist die Führungsnut verschlissen, die Führungsschiene verbogen oder gerissen oder tritt übermäßige Erhitzung oder Gratbildung an der Führungsschiene auf, muss diese ausgetauscht werden. Es darf nur eine in der Ersatzteilliste oder auf dem Aufkleber an der Säge für dieses Gerät zugelassene Führungsschiene verwendet werden.

## SÄGEKETTE UND SCHWERT AUSWECHSELN/WENDEN

Tauschen Sie die Kette aus, wenn die Messer zu verschlissen sind oder die Kette gebrochen ist. Verwenden Sie nur die in diesem Handbuch erwähnten Ketten.

Inspezieren Sie die Kettenführung bevor Sie die Kette nachschleifen. Eine verschlissene oder beschädigte Führung ist nicht sicher. Eine verschlissene oder beschädigte Führung kann die Kette beschädigen.

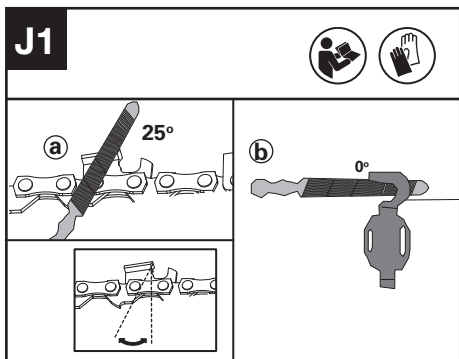
### SCHMIEREN DES KETTENRADES

**!** **ACHTUNG:** Entfernen Sie den Akkupack vor Reparaturarbeiten vom Gerät. Anderenfalls kann es zu schweren Verletzungen oder zum Tod durch Stromschlag oder Kontakt mit der laufenden Kette kommen.

Die Schneidzähne der Kette sind scharf. Verwenden Sie Schutzhandschuhe beim Handhaben der Kette.

Halten Sie Schneidwerkzeuge scharf und sauber. Ihre Säge schneidet schneller und sicherer. Eine stumpfe Kette kann Zähne abbrechen sowie Kettenführung, Kette und Motor verschleifen. Wenn Sie die Kette in das Holz zwingen müssen und es entstehen große Sägespäne, ist die Kette stumpf.

Bevor Sie die Kette schärfen, beachten Sie bitte die folgenden Schritte: (Siehe Abb. J1)

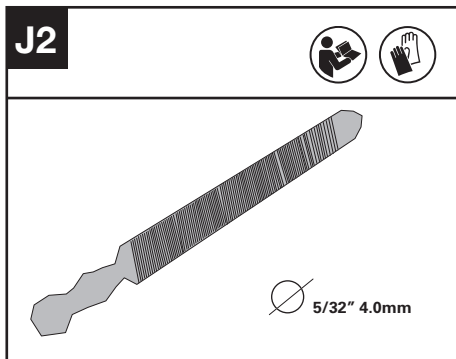


a: Feilwinkel; b: Feilenposition.

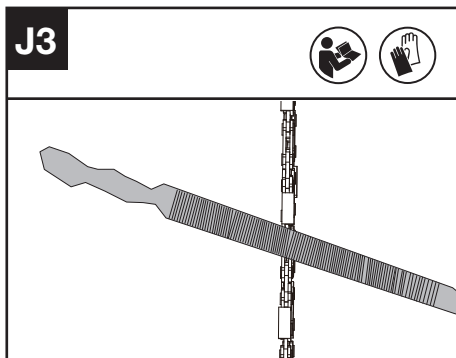
#### Wie man die Schneiden schärft

1. Bereiten Sie eine Rundfeile vor, um die Schneiden zu schärfen. (Siehe Abb. J2).

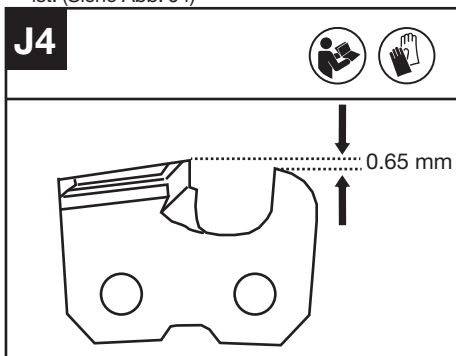
**HINWEIS:** Spannen Sie die Führungsschiene vor dem Schärfen der Kette fest in einen Schraubstock ein. Vergewissern Sie sich, dass die Kette nicht „eingeklemmt“ ist und sich frei auf der Führungsschiene bewegen kann. Prüfen Sie die richtige Kettenspannung. (Siehe Abschnitt „Spannen der Kette“)



2. Schärfen Sie die Schneiden mit einer Feile von der Innenseite der Schneidezähne zur Außenseite der Kette. (Siehe Abb. J3)



3. Feilen Sie alle Schneiden auf einer Seite der Führungsschiene.
4. Drehen Sie die Kettensäge um und feilen Sie alle Schneiden auf der gegenüberliegenden Seite.
5. Achten Sie darauf, dass die Länge aller Schneidzähne gleich ist. Um ein effizientes, sicheres und glattes Schneiden zu gewährleisten, feilen Sie die Höhe der Tiefenbegrenzung auf 0,65 mm. Achten Sie darauf, dass die Vorderkante des Tiefenbegrenzung abgerundet ist. (Siehe Abb. J4)

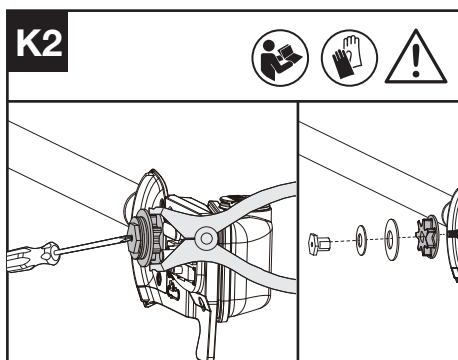
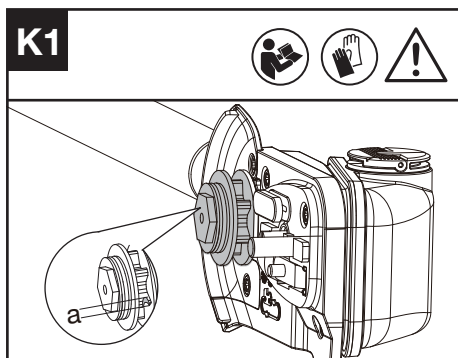




# ÜBERPRÜFUNG UND WARTUNG DES KETTENRADSTERN

**⚠️ WARNUNG:** Vor der Prüfung müssen Sie die Teleskopsäge ausschalten und den Akku entfernen.

1. Entfernen Sie die Abdeckung des Antriebsritzels, die Sägekette und die Führungsschiene.
2. Überprüfen Sie, ob die Abriebspuren tiefer als  $a=0,5$  mm sind, wie in Abbildung S1 gezeigt. Wenn dies der Fall ist, sollte das Kettenrad ausgetauscht werden. (Siehe Abb. K1)
3. Wenn das Kettenrad ausgetauscht wird, den Kranz mit einer Zange kontrollieren und mit einem Schraubendreher die Mutter lockern und ersetzen. (Siehe Abb. K2)



## REINIGUNG

1. Schalten Sie die Teleskopsäge aus und entfernen Sie die Batterie.
2. Verwenden Sie keine aggressiven Reinigungs- oder Lösungsmittel. Reinigen Sie das Gerät nach dem Gebrauch mit einem in mildem Reinigungsmittel angefeuchteten Tuch.
3. Halten Sie den Akkuanschluss frei von Schmutz und Ablagerungen, und reinigen Sie ihn mit einer

- weichen, trockenen Bürste oder einem Tuch.
4. Sprühen Sie kein Wasser auf den Motor und die elektrischen Komponenten.
5. Verwenden Sie zur Reinigung Ihres Geräts unter keinen Umständen einen Hochdruckreiniger

## LAGERUNG

1. Entfernen Sie den Akkupack aus der Teleskopsäge vor der Lagerung.
2. Lagern Sie die Teleskopsäge und den Akku an einem trockenen und sicheren Ort, der für Kinder und andere unbefugte Personen nicht zugänglich ist.
3. Wenn das Gerät beim Betrieb im Regen nass geworden ist, sollten Sie es und den Akku vor dem Lagern oder Laden trocknen. Nehmen Sie den Akku heraus und setzen Sie ihn wieder ein, wenn sich das Gerät nicht einschalten lässt.

# PROBLEMLÖSUNG

Wenn Ihr Elektrowerkzeug nicht einwandfrei funktioniert, zeigt Ihnen die folgende Tabelle Fehlersymptome, mögliche Ursachen sowie Maßnahmen zur Abhilfe. Können Sie damit das Problem nicht identifizieren und beseitigen, wenden Sie sich an Ihre Service-Werkstatt.



**ACHTUNG: SCHALTEN SIE VOR DER FEHLERSUCHE DAS ELEKTROWERKZEUG AUS UND ENTNEHMEN SIE DEN AKKU.**

Symptome	Mögliche Ursache	Abhilfe
Teleskopsäge funktioniert nicht	Schwache Batterie	Akkupack aufladen
Teleskopsäge arbeitet intermittierend	Überhitzung	Bringen Sie die Maschine in einen kühlen, belüfteten Raum, um diese abzukühlen.
	Beim Sägen zu viel Druck ausgeübt	Wenden Sie beim Sägen verhältnismäßig weniger Druck an.
	Lose Verbindung	Kundendienst aufsuchen
	Interner Wackelkontakt	
	Ein-/Auslöser defekt	
Sägekette trocken.	Kein Öl im Öltank	Öl nachfüllen
	Belüftung im Överschlusskappe verstopft	Kappe reinigen
	Ölausflusskanal verstopft	Ölausflusskanal frei machen
D Kette/Führungsschiene heiß.	Kein Öl im Öltank	Öl nachfüllen
	Belüftung im Överschlusskappe verstopft	Kappe reinigen
	Ölausflusskanal verstopft	Ölausflusskanal frei machen
	Kettenspannung zu hoch	Kettenspannung einstellen
	Kette stumpf	Kette nachschleifen oder ersetzen
Teleskopsäge zerreißt, vibriert und kann nicht normal gesägt werden.	Kettenspannung zu locker	Kettenspannung einstellen
	Kette stumpf	Kette nachschleifen oder ersetzen
	Kette verschlissen	Kette ersetzen
	Sägezähne zeigen in die falsche Richtung	Sägekette neu montieren mit Zähnen in korrekter Richtung

## TECHNISCHE DATEN

	KAC361
Schwertlänge	25 cm
Kettengeschwindigkeit	Hoch: 17 m/s Niedrig: 13 m/s
Füllmenge Öl-Vorratsbehälter	160 ml
Kettenteilung	3/8" LP
Kettenbreite	1.1 mm
Schutzklasse	IPX4
Gerätegewicht	1.8 kg

# KOMBINATIONEN VON SCHNEIDAUFSAETZEN

## Schneidaufsatz

KAC333-10''/25cm 0.043''/1.1mm 3/8 LP Schwert

KAC302-10''/25cm 0.043''/1.1mm 3/8 LP Sägekette

KAC335-12''/30cm 0.043''/1.1mm 3/8 LP Schwert

KAC304-12''/30cm 0.043''/1.1mm 3/8 LP Sägekette

# INFORMATIONEN MIT VERLÄNGERUNGSWELLE(KAC360) INFORMATIONEN ÜBER LÄRM

Gewichteter Schalldruck  $L_{pA} = 79 \text{ dB(A)}$   
 $K_{pA} = 3,0 \text{ dB(A)}$

Gewichtete Schalleistung  $L_{wA} = 94,1 \text{ dB(A)}$   
 $K_{wA} = 1,1 \text{ dB(A)}$

Tragen Sie einen Gehörschutz.



# INFORMATIONEN ÜBER VIBRATIONEN

Vibrations gesamt messwertermittlung gemäß EN ISO 11680-1.

Vibrationsemissionswert	$a_h = 1,3 \text{ m/s}^2$
	Unsicherheit $K = 1,5 \text{ m/s}^2$

# INFORMATION OHNE VERLÄNGERUNGSWELLE INFORMATIONEN ÜBER LÄRM

Gewichteter Schalldruck  $L_{pA} = 82 \text{ dB(A)}$   
 $K_{pA} = 3,0 \text{ dB(A)}$

Gewichtete Schalleistung  $L_{wA} = 93 \text{ dB(A)}$   
 $K_{wA} = 1,5 \text{ dB(A)}$

Tragen Sie einen Gehörschutz.



# INFORMATIONEN ÜBER VIBRATIONEN

Vibrations gesamt messwertermittlung gemäß EN ISO 11680-1.

Vibrationsemissionswert	$a_h = 1,87 \text{ m/s}^2$
	Unsicherheit $K = 1,5 \text{ m/s}^2$

Der angegebene Gesamt vibrationswert kann zum Vergleich eines Werkzeugs mit einem anderen und auch zur vorläufigen Expositionsbewertung verwendet werden.

**! WARNUNG:** Der Vibrationsemissionswert kann während des tatsächlichen Gebrauchs des Elektrowerkzeugs vom angegebenen Wert abweichen, je nachdem, wie das Werkzeug gemäß folgenden Beispielen und weiteren Verwendungsmöglichkeiten eingesetzt wird: Die Verwendung des Werkzeugs und die Art, wie die Materialien geschnitten oder angebohrt werden. Der Pflege- und Wartungszustand des Werkzeugs. Die Verwendung des richtigen Zubehörs und dessen Schärfe und Zustand. Die Festigkeit der Handgriffe und die Benutzung von Antivibrationszubehör. Der bestimmungsgemäß eund diesen Anweisungen entsprechende Gebrauch.

Wird dieses Werkzeug nicht angemessen gehandhabt, kann es zum Auftreten des Hand-Arm-Vibrationsyndroms kommen.

**! WARNUNG:** Sie sollten die tatsächlichen Arbeitsabschnitte genau ermitteln, um so den Belastungsgrad abzuschätzen. Auf diese Weise kann der Belastungsgrad während der gesamten Arbeitszeit möglicherweise wesentlich gemindert werden.

So minimieren Sie das Risiko, dem Sie bei Vibrationen ausgesetzt sind. Verwenden Sie IMMER scharfe Meißel, Bohrer und Sägeblätter. Pflegen Sie dieses Werkzeug den Anweisungen entsprechend und achten Sie stets auf ein gutes Einfetten (an erforderlichen Stellen). Bei regelmäßiger Verwendung von Elektrowerkzeug sollten Sie in Antivibrationszubehör investieren. Erstellen Sie einen Arbeitsplan, um die Verwendung von hochvibrierenden Werkzeugen auf mehrere Tage zu verteilen.

# UMWELTSCHUTZ

~~♻️~~ Elektroprodukte dürfen nicht mit dem normalen Haushaltsmüll entsorgt werden, sondern sollten nach Möglichkeit zu einer Recyclingstelle gebracht werden. Ihre zuständigen Behörden oder Ihr Fachhändler geben Ihnen hierzu gerne Auskunft.

D

# KONFORMITÄTSERKLÄRUNG

WIR,  
Positec Germany GmbH  
Postfach 680194, 50704 Cologne, Germany

Erklären im Namen von Positec, dass das Produkt

**Beschreibung:** Akkubetriebene Teleskopsäge  
**Typ:** KAC361 (361 - Bezeichnung der Maschine,  
repräsentativ für die Teleskopsäge)

**Funktionen:** Hohe Äste schneiden

den Bestimmungen der folgenden Richtlinien  
entspricht:

**2006/42/EC, 2014/30/EU, 2011/65/EU &  
(EU)2015/863, 2000/14/EC geändert durch  
2005/88/EC**

Zertifizierungsstelle

Name: Intertek Deutschland GmbH(notifizierte Stelle  
0905)

Anschrift: Stangenstraße 1, 70771 LEINFELDEN-  
ECHTERDINGEN

Bescheinigungsnummer: 24SHW0160

## Informationen mit Verlängerungswelle (KAC360)

2000/14/EC geändert durch 2005/88/EC:

- Konformitätsbewertungsverfahren nach Annex V
- Gemessene Schalleistung 94 dB(A)
- Garantierte Schalleistung 96 dB(A)

D

## Information ohne Verlängerungswelle

2000/14/EC geändert durch 2005/88/EC:

- Konformitätsbewertungsverfahren nach Annex V
- Gemessene Schalleistung 93 dB(A)
- Garantierte Schalleistung 95 dB(A)

Werte nach:

**EN 62841-1, EN ISO 11680-1, EN ISO 3744, EN  
IEC 55014-1, EN IEC 55014-2, EN IEC 63000**

Zur Kompilierung der technischen Datei ermächtigte  
Person,

**Name Marcel Filz**

**Anschrift Positec Germany GmbH**

**Postfach 680194, 50704 Cologne, Germany**



2024/01/26

Allen Ding

Stellvertretender Chefsingenieur,

Prüfung und Zertifizierung

Positec Technology (China) Co., Ltd.

18, Dongwang Road, Suzhou Industrial

Park, Jiangsu 215123, P. R. China

# SOMMAIRE

Introduction.....	37
Liste des composants.....	38
Sécurité du produit.....	39
Montage et utilisation.....	42
Graissage.....	44
Fonctionnement.....	45
Transport.....	47
Entretien de la scie.....	47
Nettoyage.....	50
Rangement.....	50
Guide de Dépannage.....	50
Caractéristiques Techniques.....	51
Déclaration de conformité.....	53

## INTRODUCTION

Cher Client,

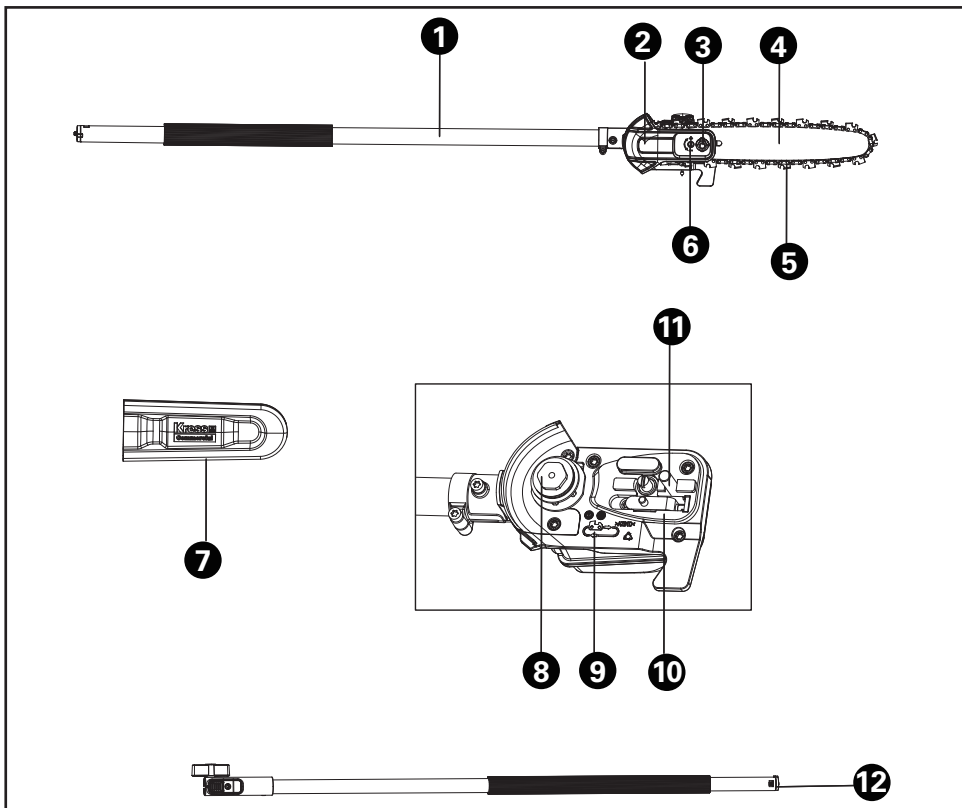
Merci d'avoir acheté ce produit de la marque Kress Commercial. Nous nous engageons à développer des produits de haute qualité pour répondre à vos exigences d'aménagement paysager.

La marque Kress est synonyme de service de qualité supérieure. Au cours des années d'utilisation de votre produit, si vous avez des questions ou des inquiétudes à son sujet, veuillez contacter votre revendeur ou notre équipe de service clientèle pour obtenir de l'aide.

Nous espérons que vous serez satisfait de votre produit de la marque Kress pour les années à venir.

## UTILISATION PRÉVUE

En combinaison avec KAC104 - Tête motrice, cette perche élagueuse est conçue pour tailler et élaguer des branches hors de portée des bras. Toutes les coupes doivent être faites à travers le grain du bois. Ce produit est destiné à la coupe du bois uniquement.




## LISTE DES COMPOSANTS

- |     |                                   |
|-----|-----------------------------------|
| 1.  | ARBRE                             |
| 2.  | COUVERCLE D'ENTRAÎNEMENT          |
| 3.  | ÉCROU HÉXAGONAL                   |
| 4.  | GUIDE-CHAÎNE                      |
| 5.  | CHAÎNE                            |
| 6.  | VIS DE TENSION DE LA CHAÎNE       |
| 7.  | FOURREAU DE PROTECTION            |
| 8.  | PIGNON D'ENTRAÎNEMENT             |
| 9.  | SYMBOLE DE DIRECTION DE LA CHAÎNE |
| 10. | COUSSIN DE BARRE                  |
| 11. | ERGOT DE LOCALISATION DE LA BARRE |
| 12. | ARBRE D'EXTENSION*                |

\* Les accessoires reproduits ou décrits ne sont pas tous compris avec le modèle standard livré.

# NOTICE ORIGINALE SÉCURITÉ DU PRODUIT AVERTISSEMENTS DE SÉCURITÉ GÉNÉRAUX POUR L'OUTIL ÉLECTRIQUE

 **AVERTISSEMENT** Lire tous les avertissements de sécurité, les instructions, les illustrations et les spécifications fournis avec cet outil électrique. Ne pas suivre les instructions énumérées ci-dessous peut provoquer un choc électrique, un incendie et/ou une blessure sérieuse.

Conserver tous les avertissements et toutes les instructions pour pouvoir s'y reporter ultérieurement.

Le terme "outil électrique" dans les avertissements fait référence à votre outil électrique alimenté par le secteur (avec cordon d'alimentation) ou votre outil électrique fonctionnant sur batterie (sans cordon d'alimentation).

## 1. SÉCURITÉ DE LA ZONE DE TRAVAIL

- a) **Conserver la zone de travail propre et bien éclairée.** Les zones en désordre ou sombres sont propices aux accidents.
- b) **Ne pas faire fonctionner les outils électriques en atmosphère explosive, par exemple en présence de liquides inflammables, de gaz ou de poussières.** Les outils électriques produisent des étincelles qui peuvent enflammer les poussières ou les fumées.
- c) **Maintenir les enfants et les personnes présentes à l'écart pendant l'utilisation de l'outil électrique.** Les distractions peuvent vous faire perdre le contrôle de l'outil.

## 2. SÉCURITÉ ÉLECTRIQUE

- a) **Il faut que les fiches de l'outil électrique soient adaptées au socle. Ne jamais modifier la fiche de quelque façon que ce soit. Ne pas utiliser d'adaptateurs avec des outils électriques à branchement de terre.** Des fiches non modifiées et des socles adaptés réduisent le risque de choc électrique.
- b) **Éviter tout contact du corps avec des surfaces reliées à la terre telles que les tuyaux, les radiateurs, les cuisinières et les réfrigérateurs.** Il existe un risque accru de choc électrique si votre corps est relié à la terre.
- c) **Ne pas exposer les outils électriques à la pluie ou à des conditions humides.** La pénétration d'eau à l'intérieur d'un outil électrique augmente le risque de choc électrique.
- d) **Ne pas maltraiter le cordon. Ne jamais utiliser le cordon pour porter, tirer ou débrancher l'outil électrique. Maintenir le cordon à l'écart de la chaleur, du lubrifiant, des arêtes vives ou des parties en mouvement.** Des cordons endommagés ou emmêlés augmentent le risque

de choc électrique.

- e) **Lorsqu'on utilise un outil électrique à l'extérieur, utiliser un prolongateur adapté à l'utilisation extérieure.** L'utilisation d'un cordon adapté à l'utilisation extérieure réduit le risque de choc électrique.
- f) **Si l'usage d'un outil électrique dans un emplacement humide est inévitable, utiliser une alimentation protégée par un dispositif à courant différentiel résiduel (RCD).** L'usage d'un RCD réduit le risque de choc électrique.

## 3. SÉCURITÉ DES PERSONNES

- a) **Rester vigilant, regarder ce que vous êtes en train de faire et faire preuve de bon sens dans votre utilisation de l'outil électrique. Ne pas utiliser un outil électrique lorsque vous êtes fatigué ou sous l'emprise de drogues, de l'alcool ou de médicaments.** Un moment d'inattention en cours d'utilisation d'un outil électrique peut entraîner des blessures graves.
- b) **Utiliser un équipement de protection individuelle. Toujours porter une protection pour les yeux.** Les équipements de protection individuelle tels que les masques contre les poussières, les chaussures de sécurité antidérapantes, les casques ou les protections auditives utilisés pour les conditions appropriées réduisent les blessures.
- c) **Éviter tout démarrage intempestif. S'assurer que l'interrupteur est en position arrêt avant de brancher l'outil au secteur et/ou au bloc de batteries, de le ramasser ou de le porter.** Porter les outils électriques en ayant le doigt sur l'interrupteur ou brancher des outils électriques dont l'interrupteur est en position marche est source d'accidents.
- d) **Retirer toute clé de réglage avant de mettre l'outil électrique en marche.** Une clé laissée fixée sur une partie tournante de l'outil électrique peut donner lieu à des blessures.
- e) **Ne pas se précipiter. Garder une position et un équilibre adaptés à tout moment.** Cela permet un meilleur contrôle de l'outil électrique dans des situations inattendues.
- f) **S'habiller de manière adaptée. Ne pas porter de vêtements amples ou de bijoux. Garder les cheveux et les vêtements à distance des parties en mouvement.** Des vêtements amples, des bijoux ou les cheveux longs peuvent être pris dans des parties en mouvement.
- g) **Si des dispositifs sont fournis pour le raccordement d'équipements pour l'extraction et la récupération des poussières, s'assurer qu'ils sont connectés et correctement utilisés.** Utiliser des collecteurs de poussière peut réduire les risques dus aux poussières.
- h) **Rester vigilant et ne pas négliger les principes de sécurité de l'outil sous prétexte que vous avez l'habitude de l'utiliser.** Une fraction de seconde d'inattention peut provoquer une blessure grave.

## 4. UTILISATION ET ENTRETIEN DE L'OUTIL

## ÉLECTRIQUE

- a) **Ne pas forcer l'outil électrique.** Utiliser l'outil électrique adapté à votre application. *L'outil électrique adapté réalise mieux le travail et de manière plus sûre au régime pour lequel il a été construit.*
- b) **Ne pas utiliser l'outil électrique si l'interrupteur ne permet pas de passer de l'état de marche à arrêt et inversement.** *Tout outil électrique qui ne peut pas être commandé par l'interrupteur est dangereux et il faut le réparer.*
- c) **Débrancher la fiche de la source d'alimentation et/ou enlever le bloc de batteries, s'il est amovible, avant tout réglage, changement d'accessoires ou avant de ranger l'outil électrique.** *De telles mesures de sécurité préventives réduisent le risque de démarrage accidentel de l'outil électrique.*
- d) **Conserver les outils électriques à l'arrêt hors de la portée des enfants et ne pas permettre à des personnes ne connaissant pas l'outil électrique ou les présentes instructions de le faire fonctionner.** *Les outils électriques sont dangereux entre les mains d'utilisateurs novices.*
- e) **Observer la maintenance des outils électriques et des accessoires.** Vérifier qu'il n'y a pas de mauvais alignement ou de blocage des parties mobiles, des pièces cassées ou toute autre condition pouvant affecter le fonctionnement de l'outil électrique. En cas de dommages, faire réparer l'outil électrique avant de l'utiliser. *De nombreux accidents sont dus à des outils électriques mal entretenus.*
- f) **Garder affûtés et propres les outils permettant de couper.** *Des outils destinés à couper correctement entretenus avec des pièces coupantes tranchantes sont moins susceptibles de bloquer et sont plus faciles à contrôler.*
- g) **Utiliser l'outil électrique, les accessoires et les lames etc., conformément à ces instructions, en tenant compte des conditions de travail et du travail à réaliser.** *L'utilisation de l'outil électrique pour des opérations différentes de celles prévues peut donner lieu à des situations dangereuses.*
- h) **Il faut que les poignées et les surfaces de préhension restent sèches, propres et dépourvues d'huiles et de graisses.** *Des poignées et des surfaces de préhension glissantes rendent impossibles la manipulation et le contrôle en toute sécurité de l'outil dans les situations inattendues.*
5. **UTILISATION DES OUTILS FONCTIONNANT SUR BATTERIES ET PRÉCAUTIONS D'EMPLOI**
- a) **Ne recharger qu'avec le chargeur spécifié par le fabricant.** *Un chargeur qui est adapté à un type de bloc de batteries peut créer un risque de feu lorsqu'il est utilisé avec un autre type de bloc de batteries.*
- b) **N'utiliser les outils électriques qu'avec des blocs de batteries spécifiquement désignés.** *L'utilisation de tout autre bloc de batteries peut créer un risque de blessure et de feu.*
- c) **Lorsqu'un bloc de batteries n'est pas utilisé, le maintenir à l'écart de tout autre objet métallique, par exemple trombones, pièces de monnaie, clés, clous, vis ou autres objets de petite taille qui peuvent donner lieu à une connexion d'une borne à une autre.** *Le court-circuitage des bornes d'une batterie entre elles peut causer des brûlures ou un feu.*
- d) **Dans de mauvaises conditions, du liquide peut être éjecté de la batterie; éviter tout contact. En cas de contact accidentel, nettoyer à l'eau. Si le liquide entre en contact avec les yeux, rechercher en plus une aide médicale.** *Le liquide éjecté des batteries peut causer des irritations ou des brûlures.*
- e) **Ne pas utiliser un bloc de batteries ou un outil fonctionnant sur batteries qui a été endommagé ou modifié.** *Les batteries endommagées ou modifiées peuvent avoir un comportement imprévisible provoquant un feu, une explosion ou un risque de blessure.*
- f) **Ne pas exposer un bloc de batteries ou un outil fonctionnant sur batteries au feu ou à une température excessive.** *Une exposition au feu ou à une température supérieure à 130 °C peut provoquer une explosion.*
- g) **Suivre toutes les instructions de charge et ne pas charger le bloc de batteries ou l'outil fonctionnant sur batteries hors de la plage de températures spécifiée dans les instructions.** *Un chargement incorrect ou à des températures hors de la plage spécifiée de températures peut endommager la batterie et augmenter le risque de feu.*

## 6. ENTRETIEN

- a) **Faire entretenir l'outil électrique par un réparateur qualifié utilisant uniquement des pièces de rechange identiques.** *Cela assure le maintien de la sécurité de l'outil électrique.*
- b) **Ne jamais effectuer d'opération d'entretien sur des blocs de batteries endommagés.** *Il convient que l'entretien des blocs de batteries ne soit effectué que par le fabricant ou les fournisseurs de service autorisés.*

## LES AVERTISSEMENTS DE SÉCURITÉ DE LA SCIE À COLONNE

1. **Gardez la scie à métaux à une distance suffisante avec les lignes électriques aériennes.**
2. **Soyez conscient du danger des positions d'opération, ainsi que du risque d'être heurté par les branches qui tombent et qui rebondissent après avoir heurté le sol, l'opérateur peut être heurté par les branches qui tombent ou par celles qui rebondissent après avoir heurté le sol.**  
Enlever les branches dans les sections.



3. Pour réduire le risque, veuillez maintenir les spectateurs à une distance de sécurité de la machine pendant son fonctionnement.
4. Maintenez-vous dans une position stable et conservez l'équilibre au cours de l'utilisation. Utilisez le harnais fourni.
5. Verwenden Sie beim Betrieb PSA, einschließlich des Gehörschutz, Augenschutz (Visier oder Brille) und Kopfschutz und Bekleidung.

## MISES EN GARDE CONCERNANT LA BATTERIE

- a) La batterie et les piles secondaires ne doivent pas être ouvertes, démontées ou broyées.
- b) La batterie ne doit pas être court-circuitée. Évitez de mettre les batteries en vrac dans une boîte ou dans un tiroir où elles risqueraient de se court-circuiter entre elles ou au contact d'autres objets métalliques. Après usage, évitez tout contact de la batterie avec d'autres objets métalliques de petite taille (trombones, pièces, clés, clous, vis etc.) susceptibles de court-circuiter les pôles. Un court-circuit entre les pôles de la batterie peut être à l'origine de brûlures ou d'un incendie.
- c) La batterie ne doit pas être exposée au feu et à la chaleur. Évitez de la ranger à la lumière du soleil.
- d) La batterie et les piles ne doivent pas être soumises à des chocs mécaniques.
- e) En cas de fuite des piles, évitez tout contact du liquide avec la peau et les yeux. En cas de contact, rincez abondamment la surface touchée avec de l'eau et appelez les urgences.
- f) La batterie et les piles doivent rester propres et sèches.
- g) Si la batterie ou les piles se salissent, essuyez-les avec un chiffon propre et sec.
- h) La batterie et les piles doivent être chargées avant usage. Utilisez toujours le chargeur adéquat, et respectez les instructions du fabricant ou le mode d'emploi de l'appareil concernant la procédure de recharge.
- i) Évitez de laisser une batterie se charger pendant trop longtemps lorsqu'elle n'est pas utilisée.
- j) Après de longues périodes d'inutilisation, il peut être nécessaire de charger et décharger la batterie et les piles à plusieurs reprises avant que celles-ci ne retrouvent leur capacité maximale.
- k) N'utilisez pas d'autre chargeur que celui spécifié par Kress. N'utilisez pas d'autre chargeur que celui spécifiquement fourni avec l'appareil.
- l) N'utilisez en aucun cas une batterie autre que celle prévue pour cet appareil.
- m) La batterie doit être tenue hors de portée des







enfants.

- n) Gardez la documentation d'origine du produit afin de pouvoir vous y référer ultérieurement.
- o) Enlevez la batterie de l'appareil lorsque vous ne l'utilisez pas.
- p) Respectez les procédures de mise au rebut.
- q) Ne pas mélanger des piles de fabrication, capacité, taille ou type différents dans un appareil.
- r) Protégez la batterie des micro-ondes et des hautes pressions.
- s) Attention ! N'utilisez pas de piles non rechargeables.


CONSERVEZ CES INSTRUCTIONS

## SYMBOLES


	Pour réduire le risque de blessure, l'utilisateur doit lire le mode d'emploi.
	Avertissement
	Porter une protection auditive
	Porter une protection pour les yeux
	Porter un masque contre la poussière
	Portez une protection pour la tête
	Portez des gants de protection
	Portez des chaussures de protection.
	Conserver une distance suffisante des lignes électriques

 <p>Li-Ion</p>	<p>Batterie Li-Ion Ce produit comporte un symbole de « Collecte séparée » de toutes les batteries. Il sera ensuite recyclé ou démantelé, afin de réduire l'impact sur l'environnement. Les batteries peuvent être dangereuses pour l'environnement et la santé humaine, car elles contiennent des substances dangereuses.</p>
	<p>Ne pas brûler.</p>
	<p>Les batteries peuvent entrer dans le cycle de l'eau si elles sont éliminées de façon inappropriée, ce qui peut être dangereux pour l'écosystème. Ne pas éliminer les batteries usagées comme un déchet municipal non trié.</p>
<p>F</p>	<p>Les déchets d'équipements électriques et électroniques ne doivent pas être déposés avec les ordures ménagères. Ils doivent être collectés pour être recyclés dans des centres spécialisés. Consultez les autorités locales ou votre revendeur pour obtenir des renseignements sur l'organisation de la collecte.</p>
	<p>Pour une élimination respectueuse de l'environnement, les appareils électriques usagés ne doivent pas être jetés avec les ordures ménagères mais doivent être mis au rebut séparément. L'élimination par les particuliers dans les déchetteries communales est gratuite. Le propriétaire des appareils usagés est tenu de les déposer dans une déchetterie ou un point de collecte similaire. Avec ce petit effort personnel, vous contribuez au recyclage de matières premières précieuses et au traitement des substances toxiques.</p>
	<p>Unlock</p>
	<p>Lock</p>

## MONTAGE ET UTILISATION

 **REMARQUE** : Lisez attentivement le manuel avant la mise en service et l'utilisation de l'outil.

## MONTAGE

 **AVERTISSEMENT!** N'installez pas la batterie avant que la tronçonneuse ne soit complètement assemblée.

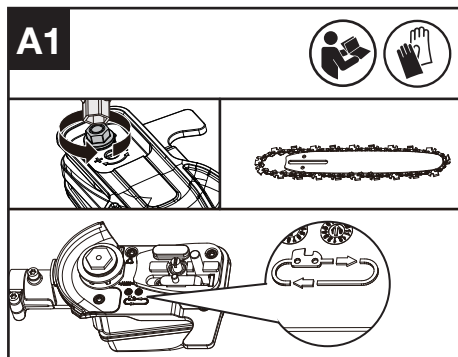
Pour toute manipulation de la chaîne, utiliser toujours des gants de protection.

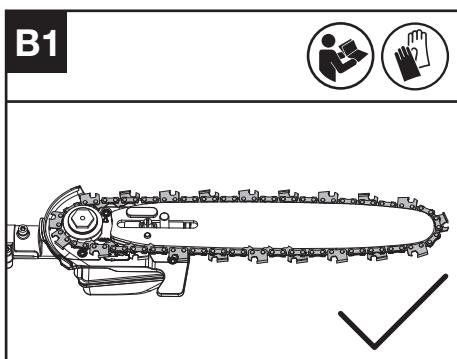
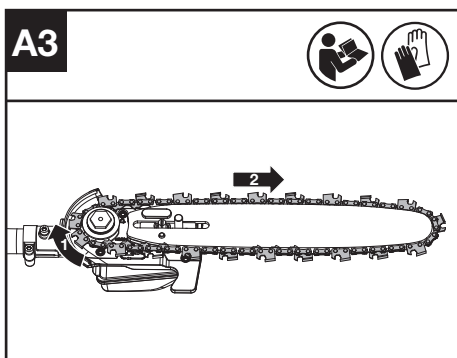
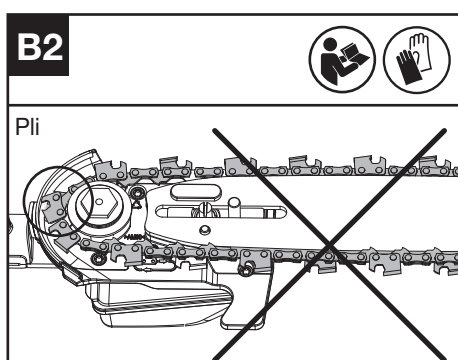
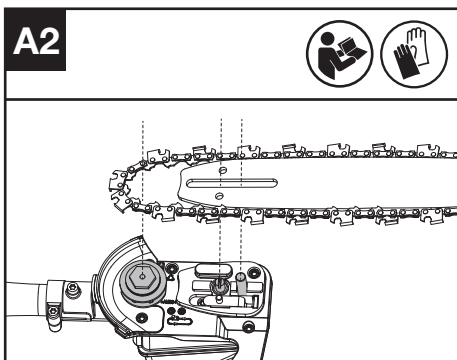
## ASSEMBLAGE DE LA CHAÎNE ET DU GUIDE-CHAÎNE

1. Desserrez l'écrou hexagonal pour retirer le couvercle d'entraînement. Glissez la chaîne dans la fente autour du guide-chaîne. Assurez-vous que la chaîne est dans la direction de fonctionnement correcte. (Voir Fig. A1)
2. Montez la chaîne sur le pignon d'entraînement, de sorte que la tige de localisation de la barre sur le tampon de la barre s'adapte dans la rainure de l'ouverture sur le guide-chaîne (Voir Fig. A2, A3)
3. Assurez-vous que toutes les pièces sont correctement en place. Assurez-vous que les maillons d'entraînement sont entièrement en place dans le pignon d'entraînement (Voir Fig. B1), en évitant un pli comme indiqué dans la Fig. B2. Si un pli se produit, relevez la chaîne au niveau du guide-chaîne juste devant le pli, puis tirez sur le pli.

**REMARQUE** : La chaîne doit tourner librement mais nécessite un certain effort pour faire tourner la chaîne.

4. Montez le couvercle d'entraînement et serrez l'écrou hexagonal.





**!** **AVERTISSEMENT:** La chaîne n'est pas tendue. Tendez la chaîne de la manière décrite dans le chapitre « Tension de la chaîne ». La tension de la chaîne doit alors être contrôlée.

**TENSION DE LA CHAÎNE (VOIR FIG. C, D)**

**REMARQUE :** Les nouvelles chaînes de scie s'ajusteront au guide-barre lors de leur première utilisation. Vérifiez fréquemment la tension de la chaîne lors de la première utilisation et resserrez-la lorsque la chaîne devient lâche autour du guide-barre.

- Retirez le bloc-batterie avant de régler la tension de la chaîne de la chaîne de scie.
- Les arêtes tranchantes de la chaîne sont coupantes. Utilisez des gants de protection lors de la manipulation de la chaîne.
- Maintenez toujours une tension correcte de la chaîne. Une chaîne lâche peut sortir de la rainure du guide-barre. Cela peut causer des blessures à l'opérateur et endommager la chaîne. Une chaîne lâche entraînera une usure rapide de la chaîne, de la barre et du pignon.

1. Placez la tronçonneuse sur une surface plane appropriée et desserrez l'écrou hexagonal.
1. Tournez la vis de tension de la chaîne dans le sens des aiguilles d'une montre jusqu'à ce qu'elle soit serrée. (Voir Fig. C)

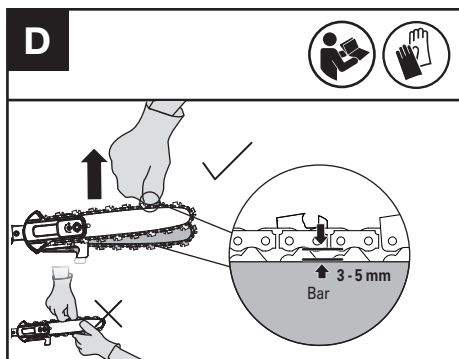
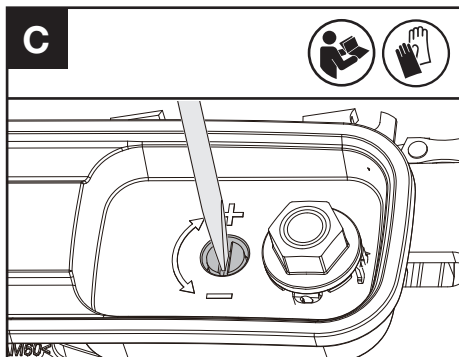
**REMARQUE :** La tension augmente automatiquement pendant que la vis de tension de la chaîne est tournée dans le sens des aiguilles d'une montre. Ensuite, serrez fermement l'écrou hexagonal.

1. Vérifiez la tension réglée par la vis de tension de la chaîne. La tension correcte de la chaîne est atteinte lorsque la chaîne peut être soulevée d'environ la moitié de la profondeur du maillon d'entraînement du guide-barre au centre. Cela doit être fait en utilisant une main gantée pour soulever la chaîne contre le poids de la machine. (Voir Fig. D) Ensuite, serrez fermement l'écrou hexagonal.

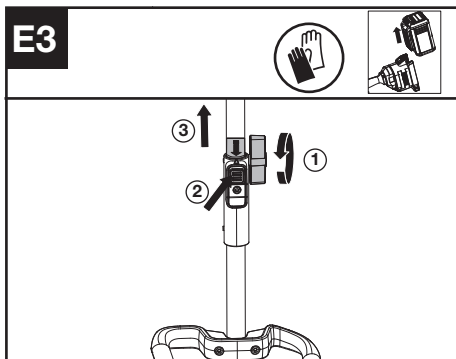
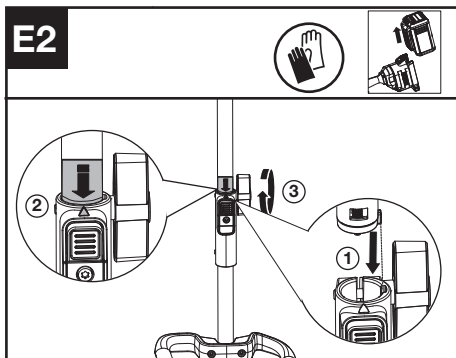
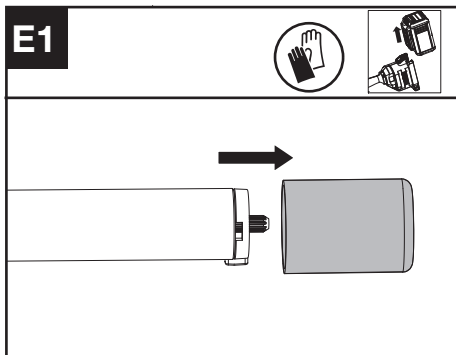
**REMARQUE :** La chaîne est correctement tendue lorsqu'elle peut être soulevée du guide-chaîne et que le maillon d'entraînement est dans le rail du guide-chaîne.

**REMARQUE :** La chaîne se détendra pendant la

coupe et perdra sa tension correcte. Lorsque la chaîne devient lâche, desserrez l'écrou hexagonal, resserrez la vis de tension de la chaîne, puis resserrez l'écrou hexagonal pour réinitialiser correctement la tension de la chaîne en suivant les étapes 1 à 3 énumérées précédemment.



pénètre à l'intérieur.



### Assemblage et démontage de la tête motrice (Voir Fig. E1, E2, E3)

1. Retirez le capuchon de protection à l'extrémité de l'arbre de fixation.
2. Pour le montage, alignez la flèche sur le bouton avec la flèche sur l'arbre de fixation.
3. Enfoncez les arbres l'un dans l'autre jusqu'à ce qu'ils s'enclenchent. Le bord de la flèche doit être proche du logement de raccordement de l'arbre. (Remarque : Si la tête de coupe de la tronçonneuse sur perche ne peut pas être complètement installée dans la tête motrice, tournez la tête de coupe de la tronçonneuse sur perche légèrement jusqu'à ce qu'il soit possible d'insérer complètement l'arbre.)
4. Terminez le montage en vissant le bouton dans le sens horaire.
5. Pour le démontage, dévissez le bouton dans le sens antihoraire, puis appuyez sur le bouton de déverrouillage et séparez les arbres. Remplacez le capuchon de protection sur l'arbre de fixation pour éviter que de la poussière ou des débris ne

**Instructions de montage et de démontage pour la rallonge de l'arbre, veuillez vous référer aux images E1, E2 et E3.**

### GRAISSAGE (VOIR FIG. F)

**!** **IMPORTANT** : La perche élagueuse n'est pas remplie d'huile pour guide et chaîne. Il est essentiel de la remplir d'huile pour guide et chaîne avant utilisation. N'utilisez jamais la perche élagueuse sans huile pour guide et chaîne,

ou en laissant le réservoir se vider, car cela entraînerait des dommages importants au produit.  
**NOTE :** La durée de vie de la chaîne et la capacité de coupe dépendent d'une lubrification optimale. Par conséquent, la chaîne est automatiquement lubrifiée pendant le fonctionnement.

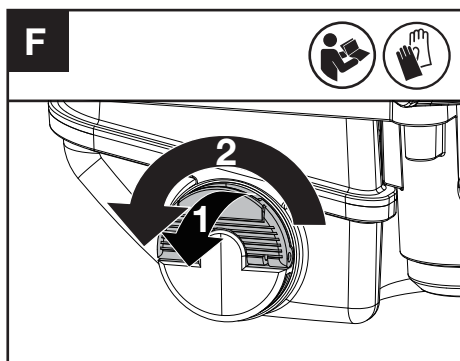
## REPLISSAGE DU RÉSERVOIR D'HUILE:

**⚠ AVERTISSEMENT :** Retirez le bloc-batterie avant de remplir le réservoir d'huile.

1. Placez la perche élagueuse sur une surface appropriée avec le bouchon de remplissage d'huile vers le haut.
2. Nettoyez la zone autour du bouchon de remplissage d'huile avec un chiffon et dévissez le bouchon en le tournant dans le sens antihoraire.
3. Ajoutez de l'huile pour guide et chaîne jusqu'à ce que le réservoir soit presque complètement plein.
4. Évitez que de la saleté ou des débris n'entrent dans le réservoir d'huile, remettez en place le bouchon de remplissage d'huile et serrez en le tournant dans le sens horaire jusqu'à ce qu'il soit bien serré.

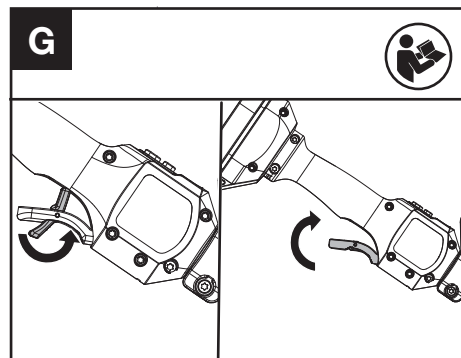
**⚠ Il est important d'utiliser un lubrifiant pour guide et chaîne (et non de l'huile automobile) formulé pour fonctionner sur une large plage de températures sans dilution nécessaire. Vous pouvez le trouver à l'endroit où vous avez acheté cette scie ou dans votre quincaillerie locale. N'utilisez pas d'huiles sales, usagées ou contaminées d'une autre manière. Cela pourrait endommager le guide ou la chaîne. L'utilisation d'une huile non approuvée pour guide et chaîne annulera la garantie.**

**Gardez l'huile pour guide hors de la portée des enfants. En cas d'ingestion, consultez immédiatement un médecin. Stockez à l'abri de la chaleur ou de la flamme nue.**



## FUNCTIONNEMENT

### Démarrer la tronçonneuse sur perche



1. Poussez d'abord le levier de désactivation de sécurité vers l'avant, puis serrez et maintenez la gâchette d'accélération pour démarrer la machine.

**REMARQUE :** Vous trouverez plus de détails dans le manuel de la tête motrice.

### COUPER

**⚠ IMPORTANT :** Vérifiez périodiquement le réservoir d'huile. Vérifiez la tension de la chaîne récemment remplacée à chaque fois que vous remplacez le bloc de batterie.

- (1) Installer le bloc-batterie dans la machine.
- (2) Ne laissez pas la chaîne entrer en contact avec le sol pendant le fonctionnement, car cela émoussera la chaîne.
- (3) Utilisez les deux mains pour saisir la scie.
- (4) Assurez-vous d'avoir une position ferme. Gardez les pieds écartés à la largeur des épaules. Répartissez votre poids uniformément sur les deux pieds.
- (5) Lorsque vous êtes prêt à effectuer une coupe, suivez les procédures de démarrage et de sélection de vitesse décrites ci-dessus. Cela mettra la scie en marche. Relâcher la gâchette éteindra la scie. Assurez-vous que la scie fonctionne à pleine vitesse avant de commencer une coupe.
- (6) Lors du démarrage d'une coupe, placez lentement la chaîne en mouvement contre le bois. Le bois doit être aussi près que possible de la tête de coupe. Tenez fermement la scie en place pour éviter tout rebond ou glissement possible (mouvement latéral) de la scie.
- (7) Guidez la scie avec une légère pression et n'exercez pas une force excessive sur la scie, laissez-la faire son travail. Le moteur surchargera et peut griller. Il effectuera le travail de manière plus efficace et plus sûre à la vitesse prévue.
- (8) Retirez la scie d'une coupe avec la scie fonctionnant à pleine vitesse. Arrêtez la scie. Assurez-vous que la chaîne s'est arrêtée avant de

F

poser la scie.

- (9) Entraînez-vous sur des bûches de rebut dans une zone de travail sécurisée jusqu'à ce que vous vous sentiez à l'aise, en utilisant un mouvement fluide et un rythme de coupe constant.

## DISPOSITIFS DE SÉCURITÉ CONTRE LE REcul SUR CETTE SCIE

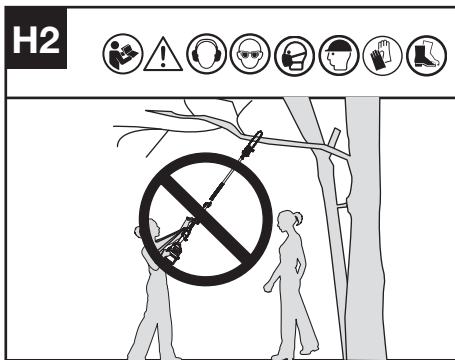
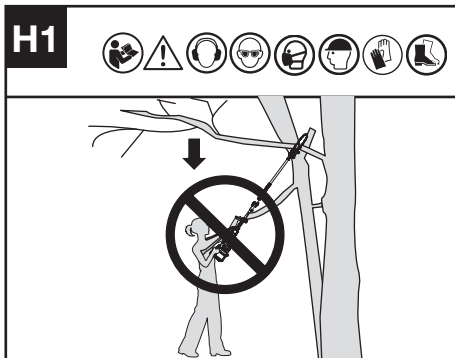
Cette scie est équipée d'une chaîne à faible risque de recul et d'une barre de guidage réduisant le recul. Ces deux éléments réduisent les risques de recul. Cependant, le recul peut toujours se produire avec cette scie à perche.

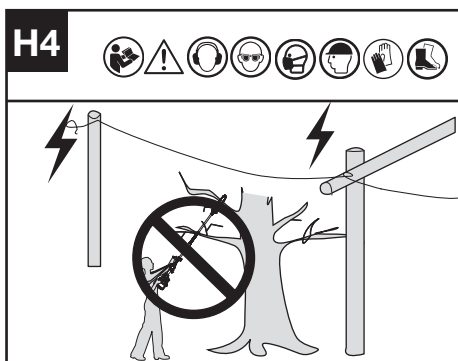
Les étapes suivantes réduiront le risque de recul

- Utilisez les deux mains pour saisir la scie pendant son fonctionnement. Maintenez une prise ferme.
- Gardez tous les dispositifs de sécurité en place sur la scie. Assurez-vous qu'ils fonctionnent correctement.
- Gardez une position stable et un équilibre en tout temps.
- Tenez-vous légèrement du côté gauche de la scie. Cela évite que votre corps soit directement dans l'axe de la chaîne.
- Ne laissez pas le nez du guide-chaîne toucher quoi que ce soit lorsque la chaîne est en mouvement.
- N'enfoncez pas le nez du guide-chaîne et n'essayez pas de couper en plongée (percer le bois en utilisant le nez de la barre de guidage).
- Soyez attentif aux mouvements du bois ou à d'autres forces qui pourraient pincer la chaîne.
- Faites preuve d'une extrême prudence en réinsérant la scie dans une coupe précédente.
- Utilisez uniquement la chaîne à faible risque de recul et le guide-chaîne qui ont été fournis avec cette perche élagueuse ou qui sont recommandés.
- N'utilisez jamais une chaîne émoussée ou lâche. Gardez la chaîne affûtée avec une tension appropriée.

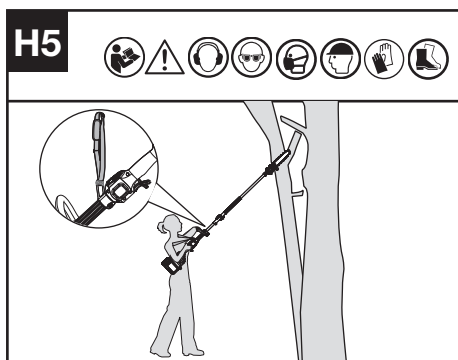
## COUPE DE BRANCHES ÉLEVÉES

1. Installez le bloc-batterie dans la machine.
2. Avant de couper une branche élevée, prêtez une attention particulière au trajet probable de la branche qui tombe. **AVERTISSEMENT** : Ne vous tenez pas directement en dessous d'une branche coupée. Tenez les témoins éloignés. Ne vous tenez pas sur une échelle ou tout autre support instable pendant l'utilisation de l'outil. N'utilisez pas l'outil à proximité de câbles, de lignes électriques ou téléphoniques. Gardez une distance de 10 pieds (3 m) de toutes les lignes électriques. (Voir Fig. H1-H4)





3. Utilisez les deux mains pour saisir la tronçonneuse sur perche et couper les branches.



## ÉBRANCHAGE D'UN ARBRE (ÉLAGAGE)

**AVERTISSEMENT:** Évitez le rebond. Le rebond peut entraîner des blessures graves ou la mort. Voir Rebond, pour éviter tout risque de rebond.  
**AVERTISSEMENT :** N'utilisez pas la perche élagueuse

- sur un arbre
- sur une échelle ou toute autre surface instable
- dans une position difficile

Vous pourriez perdre le contrôle de la perche élagueuse, entraînant des blessures graves.

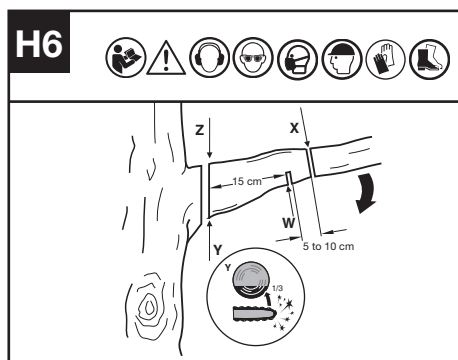
**MISE EN GARDE:** Cherchez l'aide d'un professionnel si vous rencontrez des difficultés qui dépassent vos capacités.

L'ébranchage d'un arbre consiste à découper les branches d'un arbre vivant. Vérifiez que vous êtes fermement appuyé au sol. Écartez vous de la largeur des épaules. Répartissez régulièrement votre poids sur vos pieds.

Suivez les instructions ci-dessous pour ébrancher un arbre.

1. Effectuez la première coupe à quelques centimètres (c) du tronc de l'arbre sur la face inférieure de la branche. Utilisez le dessus du guide-chaîne pour faire cette coupe. Coupez environ 1/3 du diamètre de la branche (Voir Fig.

H6).



2. Déplacez-vous de quelques centimètres (30% de c) plus haut sur la branche. Effectuez la deuxième coupe depuis le dessus de la branche. Poursuivez la coupe jusqu'à ce que la branche soit coupée.
3. Effectuez la troisième coupe aussi près que possible du tronc de l'arbre, sectionnant complètement le reste du moignon. Utilisez le bas de la guide-chaîne pour effectuer cette coupe.

## Pour les outils à batterie

La plage de températures ambiantes recommandée de décharge est de -20 °C~45 °C.

La plage de température ambiante recommandée pour le système de recharge au cours de la charge est -5 °C~45 °C.

## TRANSPORT

### Transport de la perche élagueuse

1. Éteignez la perche élagueuse et retirez la batterie.
2. Lors du transport de votre perche élagueuse à la main, tenez la perche de la perche élagueuse en vous assurant que la machine est parallèle au sol et que la barre est orientée vers l'arrière.
3. Lors du transport de votre perche élagueuse dans un véhicule, fixez-la et positionnez-la pour éviter tout mouvement ou dommage.

## ENTRETIEN DE LA SCIE

Suivez les instructions d'entretien de ce manuel. Un nettoyage et un entretien appropriés de la scie, de la chaîne et du guide-chaîne peuvent réduire les risques d'usure. Inspectez et entretenez la scie après chaque utilisation. Cela augmentera la durée de vie de votre scie. Si la scie est mouillée par la pluie pendant son utilisation, la machine et le bloc-batterie doivent être séchés avant d'être stockés ou rechargés.

# ENTRETIEN ET STOCKAGE DE LA PERCHE ÉLAGUEUSE

## 1. Retirez le bloc-batterie

- Lorsqu'il n'est pas utilisé
- Avant de le déplacer d'un endroit à un autre
- Avant toute intervention de maintenance
- Avant de changer d'accessoires ou de fixations, tels que la chaîne de scie et la barre de guidage

## 2. Inspectez la perche élagueuse avant et après chaque utilisation.

Vérifiez attentivement si le protège-chaîne ou toute autre partie est endommagé. Recherchez tout dommage qui pourrait affecter la sécurité de l'opérateur ou le fonctionnement de la scie. Vérifiez l'alignement ou le coincement des pièces mobiles. Vérifiez s'il y a des pièces cassées ou endommagées. N'utilisez pas la perche élagueuse si des dommages affectent la sécurité ou le fonctionnement. Faites réparer les dommages par un centre de service agréé.

## 3. Entretenez la perche élagueuse avec soin.

- Gardez la chaîne affûtée, propre et lubrifiée pour une performance meilleure et plus sûre.
- Suivez les étapes décrites dans ce manuel pour affûter la chaîne.
- Gardez les poignées sèches, propres et exemptes d'huile et de graisse.
- Serrez toutes les vis et écrous.

## 4. Lors de l'entretien, n'utilisez que des pièces de rechange identiques.

## 5. Lorsqu'il n'est pas utilisé, rangez toujours la perche-scie

- dans un endroit élevé ou verrouillé, hors de la portée des enfants
- dans un endroit sec
- avec la protection de la chaîne en position

## ENTRETIEN DE LA BARRE DE GUIDAGE

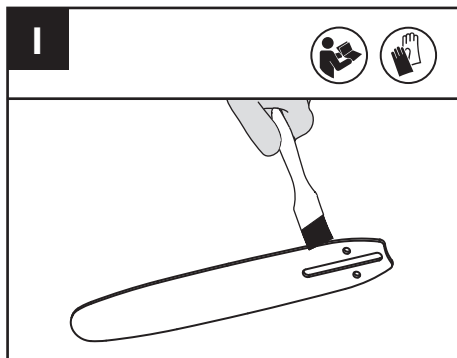
Pour une durée de vie maximale du guide, il est recommandé d'appliquer les procédures suivantes. Les rails de guidage qui maintiennent la chaîne doivent être nettoyés avant de ranger la machine ou si le guide ou la chaîne est sale.

Les rails de guidage doivent être nettoyés à chaque démontage de la chaîne.

Un ébavurage occasionnel des rails de la barre peut être nécessaire avec une lime plate.

## POUR NETTOYER LES RAILS DU GUIDE

1. Retirez le couvercle de la chaîne ainsi que la barre et la chaîne. (voir la partie MONTAGE)
2. Avec une brosse métallique, un tournevis ou un outil similaire, enlevez les déchets et les saletés des rails du guide. (Voir Fig. I)
3. N'oubliez pas de nettoyer complètement les passages d'huile.

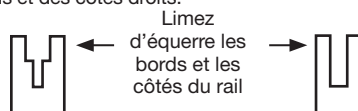


## CONDITIONS QUI NÉCESSITENT D'ENTREtenir LA CHAÎNE ET LE GUIDE:

- La scie coupe d'un côté ou en biais.
- La scie doit être forcée à travers la coupe.
- Arrivée d'huile insuffisante sur la barre et la chaîne.

Vérifiez l'état du guide à chaque affûtage de la chaîne. Un guide usé endommage la chaîne et rend la coupe difficile.

Après chaque utilisation, la machine étant débranchée d'une source de courant, nettoyez toute la sciure sur le guide et dans le trou du pignon d'entraînement. Lorsque la partie supérieure du rail de guidage est irrégulière, utilisez une lime plate pour refaire des bords et des côtés droits.



Rainure usée

Rainure correcte

Remplacez le guide lorsque la rainure est usée, lorsque la barre est courbée ou fissurée ou lorsque les rails chauffent ou grincent excessivement. Si un remplacement est nécessaire, utilisez uniquement la barre de guidage spécifiée pour votre scie dans la liste des pièces de rechange ou sur l'autocollant situé sur la perche-scie.

## REPLACEMENT/CHANGEMENT DE LA CHAÎNE ET DU GUIDE

Remplacez la chaîne lorsque les couteaux sont trop usés pour être affûtés ou en cas de rupture de la chaîne. La nouvelle chaîne doit présenter toutes les caractéristiques techniques mentionnées dans ce guide.

Inspectez la barre de guidage avant d'affûter la chaîne. Une barre de guidage usée ou endommagée est dangereuse. Une barre de guidage usée ou endommagée endommagera la chaîne. Cela rendra également la coupe plus difficile.



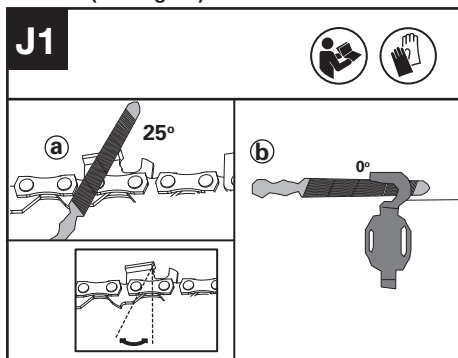
## AFFÛTAGE DE LA CHAÎNE DE LA SCIE

**!** **WARNING: Retirez le bloc-batterie avant toute intervention de maintenance. Une électrocution ou le contact avec la chaîne en mouvement peut entraîner des blessures graves ou la mort.**

**The cutting edges of the chain are sharpened. Use protective gloves to handle the chain.**

Garder affûtés et propres les outils permettant de couper. Vous travaillez plus rapidement et diminuez les risques. Une chaîne aux dents émoussées accélère l'usure de la couronne d'entraînement, du guide, de la chaîne et du moteur. Si vous devez forcer la chaîne dans le bois et que la coupe ne produit que de la sciure fine avec peu de gros copeaux, la chaîne est émoussée.

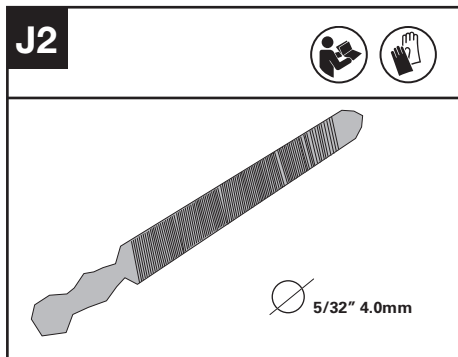
**Avant d'affûter, faites attention aux points suivants: (Voir Fig. J1)**



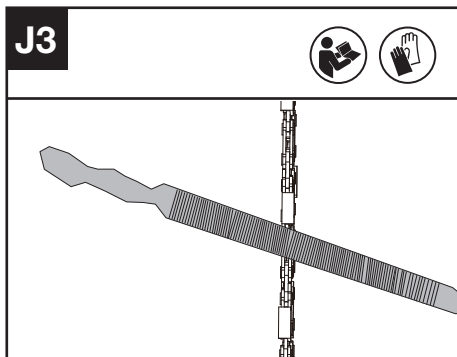
a: Angle d'attaque; b: position de lime.

### Affûtage des copeaux

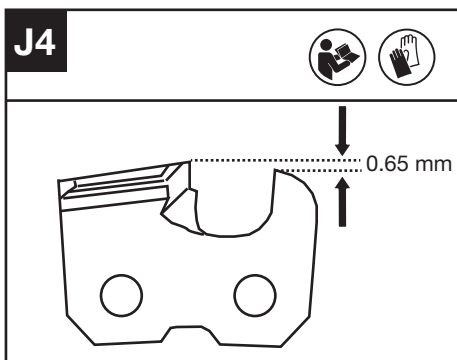
1. Préparez une lime ronde pour affûter les copeaux. (Voir Fig. J2). **REMARQUE :** Serrez bien le guide-chaîne dans un étau avant d'affûter la chaîne. Assurez-vous que la chaîne n'est pas « ébréchée » et peut librement se déplacer sur le guide-chaîne. Vérifiez que la chaîne est correctement tendue. (Voir la section « Tendre la chaîne »)



2. Affûtez les copeaux avec une lime de l'intérieur des dents de coupe vers l'extérieur de la chaîne. (Voir Fig. J3)



3. Limez tous les copeaux sur un côté du guide-chaîne.
4. Retournez la tronçonneuse et limez tous les copeaux sur le côté opposé.
5. Assurez-vous que la longueur de toutes les dents de coupe soit la même. Pour une coupe régulière, sûre et efficace, limez la hauteur de la jauge de profondeur à 0,65 mm. N'oubliez pas de limer le bord à l'avant de la jauge de profondeur. (Voir Fig. J4).

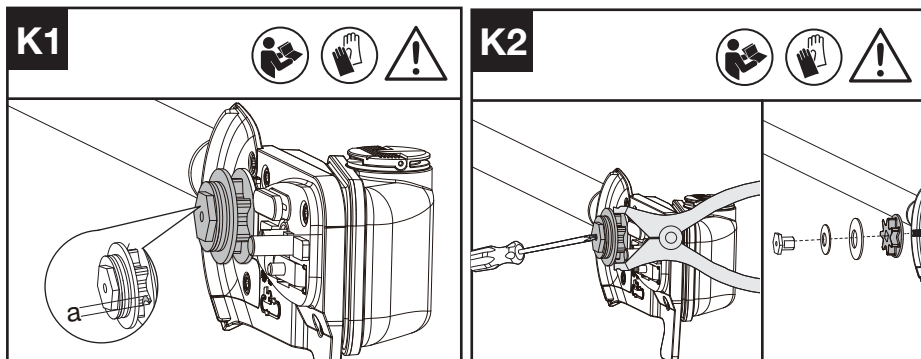


## INSPECTION ET ENTRETIEN DU PIGNON DE CHAÎNE

**!** **AVERTISSEMENT :** Avant de vérifier, il est impératif d'éteindre la perche élagueuse et de retirer la batterie.

1. Retirez le couvercle du pignon d'entraînement, la chaîne de scie et le guide-chaîne.
2. Vérifiez si les marques d'usure sont plus profondes que a= 0,5 mm comme indiqué dans la Fig. S1, si c'est le cas, le pignon de chaîne doit être remplacé. (Voir Fig. K1)
3. Lors du remplacement du pignon de chaîne, maintenez le pignon avec une pince et utilisez un

tournevis pour desserrer l'écrou et le remplacer. (Voir Fig. K2)



## NETTOYAGE

1. Éteignez la perche élagueuse et retirez la batterie.
2. N'utilisez pas de produits détergents agressifs ni de solvants. Nettoyez la machine après utilisation avec un chiffon humide imbibé d'un détergent neutre.
3. Aucun corps étranger ne doit bloquer les connexions de la batterie ; nettoyez-la avec un chiffon ou une brosse souple et sèche.
4. N'aspergez pas d'eau sur le moteur et les composants électriques.
5. N'utilisez pas d'eau sous pression pour nettoyer la machine.

F

## RANGEMENT

1. Retirez le bloc-batterie de la perche élagueuse avant le stockage.
2. Rangez la perche élagueuse et la batterie dans un endroit sec et sécurisé, inaccessible aux enfants et aux personnes non autorisées.
3. Si elles sont mouillées par la pluie pendant l'utilisation, la machine et la batterie devraient être séchées avant rangement ou mise en charge. Retirez la batterie et réinsérez-la si la machine ne s'allume pas.

## GUIDE DE DÉPANNAGE

Au cas où votre outil électroportatif ne fonctionnerait pas correctement, le tableau suivant vous montre les types de pannes et les causes possibles et vous indique comment vous pouvez y remédier. Si malgré cela vous n'arrivez pas à identifier le problème et à le résoudre, contactez votre Service Après-Vente.

**⚠ ATTENTION: Avant de dépister la panne, arrêtez l'outil électroportatif et RETIREZ LA BATTERIE.**

Problème	Cause possible	Remède
La scie ne fonctionne pas	Batterie épuisée	Chargez le boîtier de la batterie.
La scie fonctionne par intermittence	Surchauffe	Placer l'outil à un endroit frais et ventilé pour qu'il refroidisse.
	La pression exercée lors de la coupe est trop forte.	Exercer une pression moindre lors de la coupe.
	Raccord lâche.	Contacter un service après-vente.
	Mauvais contact interne.	
	Gâchette Marche/Arrêt défectueuse	

Chaîne trop sèche.	Pas d'huile dans le réservoir.	Rajouter de l'huile
	Évent du bouchon de remplissage d'huile obstrué.	Nettoyez le bouchon de remplissage d'huile.
	Tuyau de sortie d'huile obturé.	Déboucher le tuyau de sortie d'huile
Chaîne/glissière trop chaude.	Pas d'huile dans le réservoir.	Rajouter de l'huile
	Évent du bouchon de remplissage d'huile obstrué.	Nettoyez le bouchon de remplissage d'huile.
	Tuyau de sortie d'huile obturé.	Déboucher le tuyau de sortie d'huile
	Tension trop grande de la chaîne.	Régler la tension de la chaîne.
La scie déchire, vibre, ne scie pas correctement	Chaîne émoussée.	Réaffûter la chaîne ou la remplacer.
	Tension trop faible de la chaîne.	Régler la tension de la chaîne.
	Chaîne émoussée.	Réaffûter la chaîne ou la remplacer.
	Chaîne usée.	Remplacer la chaîne.
	Dents de la chaîne orientées dans la mauvaise direction.	Monter à nouveau la chaîne en mettant les dents dans la bonne direction.

## CARACTÉRISTIQUES TECHNIQUES


	KC330 KC330.X **
Longueur du guide	25 cm
Vitesse de coupe	Élevée : 17 m/s Basse : 13 m/s
Quantité d'huile dans le réservoir	160 ml
Pas de la chaîne	3/8" LP
Jauge de chaîne	1.1 mm
Degré de protection	IPX4
Poids de la machine	1.8 kg

## COMBINAISONS D'ACCESSOIRES DE COUPE

Accessoire de coupe
KAC333-10"/25cm 0.043"/1.1mm 3/8 LP barre
KAC302-10"/25cm 0.043"/1.1mm 3/8 LP chaîne
KAC335-12"/30cm 0.043"/1.1mm 3/8 LP barre
KAC304-12"/30cm 0.043"/1.1mm 3/8 LP chaîne

# INFORMATION AVEC ARBRE DE PROLONGEMENT (KAC360)

## INFORMATIONS RELATIVES AU BRUIT

Niveau de pression acoustique pondéré A	$L_{pA} = 79 \text{ dB(A)}$ $K_{pA} = 3,0 \text{ dB(A)}$
Niveau de puissance acoustique pondéré A	$L_{WA} = 94,1 \text{ dB(A)}$ $K_{WA} = 1,1 \text{ dB(A)}$
Porter une protection auditive.	

## INFORMATIONS RELATIVE AUX VIBRATIONS


Valeurs totales de vibrations déterminées selon la norme EN ISO 11680-1.

Valeur d'émission de vibrations	$a_h = 1,3 \text{ m/s}^2$
	Incertitude $K = 1,5 \text{ m/s}^2$

F

# INFORMATION SANS ARBRE DE PROLONGEMENT

## INFORMATIONS RELATIVES AU BRUIT

Niveau de pression acoustique pondéré A	$L_{pA} = 82 \text{ dB(A)}$ $K_{pA} = 3,0 \text{ dB(A)}$
Niveau de puissance acoustique pondéré A	$L_{WA} = 93 \text{ dB(A)}$ $K_{WA} = 1,5 \text{ dB(A)}$
Porter une protection auditive.	

## INFORMATIONS RELATIVE AUX VIBRATIONS

Valeurs totales de vibrations déterminées selon la norme EN ISO 11680-1.

Valeur d'émission de vibrations	$a_h = 1,87 \text{ m/s}^2$
	Incertitude $K = 1,5 \text{ m/s}^2$

La valeur totale de vibration déclarée peut être utilisée pour comparer un outil à un autre, et peut également être utilisé dans une évaluation préliminaire de l'exposition.

**AVERTISSEMENT:** La valeur d'émission de vibrations pendant l'utilisation réelle de l'outil électrique peut différer de la valeur déclarée selon la manière dont l'outil est utilisé, selon les exemples suivants et d'autres variations sur la manière dont l'outil est utilisé:

Comment l'outil est utilisé et quels matériaux sont coupés ou percés.

L'outil est en bon état et bien entretenu.

L'utilisation du bon accessoire pour l'outil et l'assurance qu'il est affûté et en bon état.

La bonne tenue des poignées et, le cas échéant, les accessoires anti-vibrations utilisés.

L'outil est utilisé comme prévu dans sa conception et dans le présent mode d'emploi.

Cet outil peut causer un syndrome des vibrations main-bras s'il n'est pas correctement géré.

**AVERTISSEMENT:** Pour être précise, une évaluation du niveau d'exposition en conditions réelles d'utilisation doit également tenir compte de toutes les parties du cycle d'utilisation telles que les moments où l'outil est éteint, et ceux où il fonctionne au ralenti mais ne réalise pas réellement de tâche. Ceci peut réduire de manière significative le niveau d'exposition et la durée d'utilisation totale.


Afin de minimiser le risque d'exposition aux vibrations.

Utilisez TOUJOURS des burins, des forets et des lames affûtés.

Entretenez cet outil de manière conforme au mode d'emploi et maintenez-le lubrifié (le cas échéant).

Si l'outil doit être utilisé régulièrement, investissez dans des accessoires anti-vibrations. Planifiez votre travail pour étaler l'utilisation des outils à forte vibration sur plusieurs jours.

## PROTECTION DE L'ENVIRONNEMENT

 Les déchets d'équipements électriques et électroniques ne doivent pas être déposés avec les ordures ménagères. Ils doivent être collectés pour être recyclés dans des centres spécialisés. Consultez les autorités locales ou votre revendeur pour obtenir des renseignements sur l'organisation de la collecte.

# DÉCLARATION DE CONFORMITÉ

We,  
Positec Germany GmbH  
Postfach 680194, 50704 Cologne, Germany

Positec déclare que le produit,  
**Description:** Perche élagueuse à batterie  
**Modèle:** KAC361 (361 - Désignation de la machine, représentative de la perche élagueuse)  
**Fonctions:** Coupe de branches hautes

Est conforme aux directives suivantes,  
**2006/42/EC, 2014/30/EU, 2011/65/EU & (EU)2015/863, 2000/14/EC modifiée par 2005/88/EC**

Notification réalisée par  
Nom: Intertek Deutschland GmbH (Organisme notifié 0905)  
Adresse: Stangenstraße 1, 70771 LEINFELDEN-ECHTERDINGEN  
No de certification: 24SHW0160

## Information avec arbre de prolongement (KAC360)

2000/14/EC modifiée par 2005/88/EC:  
- Procédure d'évaluation de la conformité conformément à Annex V  
- Niveau de pression acoustique 94 dB(A)  
- Niveau d'intensité acoustique 96 dB(A)

## Information sans arbre de prolongement

2000/14/EC modifiée par 2005/88/EC:  
- Procédure d'évaluation de la conformité conformément à Annex V  
- Niveau de pression acoustique 93dB(A)  
- Niveau d'intensité acoustique 95dB(A)

Et conforme aux normes,  
**EN 62841-1, EN ISO 11680-1, EN ISO 3744, EN IEC 55014-1, EN IEC 55014-2, EN IEC 63000**

La personne autorisée à compiler le dossier technique,  
**Nom Marcel Filz**  
**Adresse Positec Germany GmbH**  
**Postfach 680194, 50704 Cologne, Germany**



2024/01/26  
Allen Ding  
Ingénieur en chef adjoint, Essais & Certification  
Positec Technology (China) Co., Ltd.  
18, Dongwang Road, Suzhou Industrial Park, Jiangsu 215123, P. R. China

# INDICE

Introduzione.....	54
Elenco dei componenti.....	55
Sicurezza del prodotto.....	56
Istruzioni sul Funzionamento.....	59
Lubrificazione della catena.....	61
Funzionamento.....	62
Trasporto.....	64
Manutenzione della sega .....	64
Pulizia.....	67
Immagazzinamento.....	67
I Individuazione dei guasti.....	67
Dati tecnici.....	68
Dichiarazione di conformità.....	70

## INTRODUZIONE

Gentile Cliente,

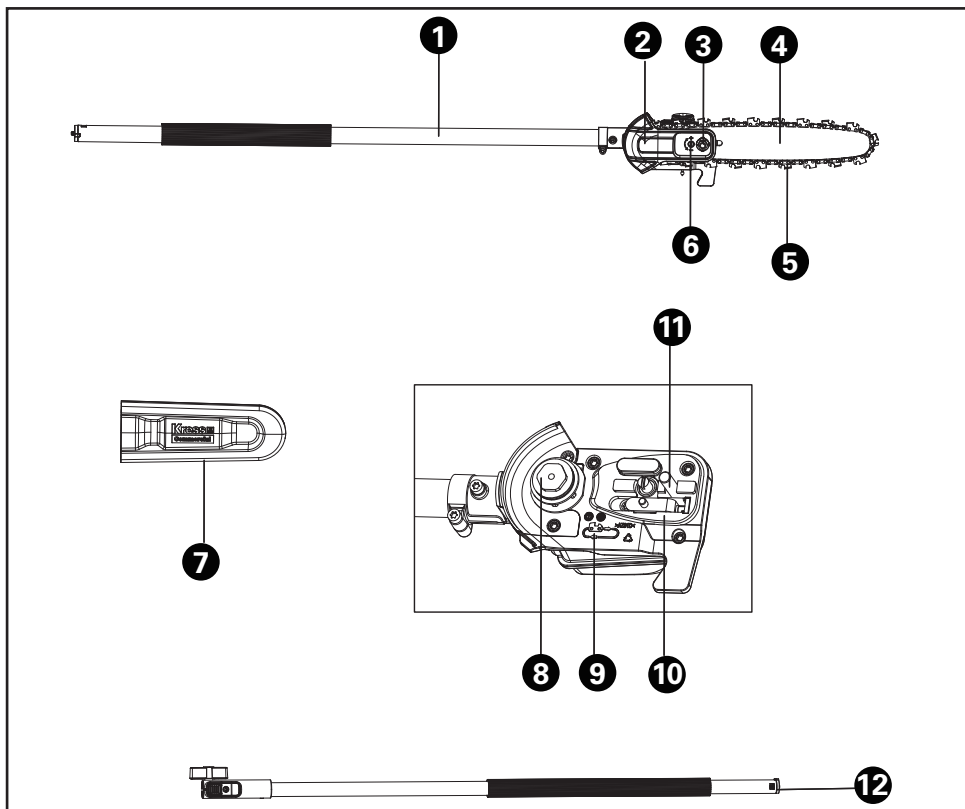
Grazie per aver acquistato questo prodotto Kress Commercial. Ci dedichiamo allo sviluppo di prodotti di alta qualità per soddisfare le vostre esigenze relative alla progettazione dei giardini.

Il marchio Kress è sinonimo di un servizio di prima qualità. Se avete domande o dubbi, per tutta la durata di utilizzo dei prodotti, nel corso degli anni, vi preghiamo di contattare il rivenditore presso il quale avete acquistato il prodotto, o il nostro Servizio clienti per ricevere assistenza.

Siamo sicuri che le piacerà lavorare con il suo prodotto Kress per gli anni a venire.

## USO PREVISTO

In combinazione con KAC104 - Testa di alimentazione, questa motosega a asta è progettata per potare e tagliare rami fuori dalla portata delle braccia. Tutti i tagli devono essere trasversali alle venature. Questo prodotto è destinato solo al taglio del legno.




## ELENCO DEI COMPONENTI

- |     |                                     |
|-----|-------------------------------------|
| 1.  | SHAFT                               |
| 2.  | COPERTURA DI TRASMISSIONE           |
| 3.  | DADI ESAGONALI                      |
| 4.  | DI GUIDA                            |
| 5.  | CATENA DELLA SEGA                   |
| 6.  | VITE DI TENSIONAMENTO DELLA CATENA  |
| 7.  | FODERO PROTETTIVO                   |
| 8.  | PIGNONE DI TRASMISSIONE             |
| 9.  | SIMBOLO DI DIREZIONE DELLA CATENA   |
| 10. | PIASTRA DELLA BARRA                 |
| 11. | PERNO DI POSIZIONAMENTO DELLA BARRA |
| 12. | ASTA DI PROLUNGA*                   |

\* Accessori illustrati o descritti non fanno necessariamente parte del volume di consegna.

# ISTRUZIONI ORIGINALI SICUREZZA DEL PRODOTTO AVVISI GENERALI PER LA SICUREZZA DEGLI UTENSILI A MOTORE

 **ATTENZIONE!** Leggere tutte le avvertenze di sicurezza, le istruzioni, le illustrazioni e le specifiche fornite con questo elettroutensile. La mancata osservanza delle istruzioni elencate di seguito potrebbe provocare una scossa elettrica, un incendio e/o lesioni gravi.

Conservare tutti gli avvisi e le istruzioni per poterli consultare quando necessario.

Il termine «elettrotensile elettrico» utilizzato di seguito in questo manuale si riferisce a utensili elettrici alimentati dalla rete (con linea di allacciamento), oltre che ad utensili elettrici alimentati a batteria (senza linea di allacciamento).

## 1. POSTO DI LAVORO

- a) **Mantenere pulito ed ordinato il posto di lavoro.** Il disordine e le zone di lavoro non illuminate possono essere fonte di incidenti.
- b) **Evitare d'impiegare l'utensile in ambienti soggetti al rischio di esplosioni nei quali si trovino liquidi, gas o polveri infiammabili.** Gli utensili elettrici producono scintille che possono far infiammare la polvere o i gas.
- c) **Mantenere lontani i bambini ed altre persone durante l'impiego dell'utensile elettrico.** Eventuali distrazioni potranno comportare la perdita del controllo sull'utensile.

## 2. SICUREZZA ELETTRICA

- a) **La spina per la presa di corrente dovrà essere adatta alla presa. Evitare assolutamente di apportare modifiche alla spina. Non impiegare spine adattatrici assieme ad utensili con collegamento a terra.** Le spine non modificate e le prese adatte allo scopo riducono il rischio di scosse elettriche.
- b) **Evitare il contatto fisico con superfici collegate a terra, come tubi, riscaldamenti, cucine elettriche e frigoriferi.** Sussiste un maggior rischio di scosse elettriche nel momento in cui il corpo è messo a massa.
- c) **Non utilizzare la macchina in condizioni di pioggia o umidità. Questo potrebbe aumentare il rischio di scosse elettriche.** Una volta bagnata dalla pioggia durante il funzionamento, la macchina e la batteria devono essere asciugate prima di riporle o caricarle. Rimuovere la batteria e reinserirla se la macchina non si accende. Mantenere il collegamento della batteria libero da sporcizia e detriti e pulirlo con una spazzola o un panno morbido e asciutto.
- d) **Non usare il cavo per scopi diversi da quelli previsti al fine di trasportare o appendere**

l'apparecchio, oppure di togliere la spina dalla presa di corrente. Mantenere l'utensile al riparo da fonti di calore, dall'olio, dagli spigoli o da parti di strumenti in movimento. I cavi danneggiati o aggrovigliati aumentano il rischio d'insorgenza di scosse elettriche.

- e) **Qualora si voglia usare l'utensile all'aperto, impiegare solo ed esclusivamente cavi di prolunga omologati per l'impiego all'esterno.** L'uso di un cavo di prolunga omologato per l'impiego all'esterno riduce il rischio d'insorgenza di scosse elettriche.
  - f) **Se si deve utilizzare l'utensile a motore in un luogo umido, utilizzare una fonte di alimentazione con protezione a corrente residua.** L'uso di un dispositivo a corrente residua reduce il rischio di folgorazioni elettriche.
- ## 3. SICUREZZA DELLE PERSONE
- a) **È importante concentrarsi su ciò che si sta facendo e a maneggiare con giudizio l'utensile elettrico durante le operazioni di lavoro. Non utilizzare l'utensile in caso di stanchezza o sotto l'effetto di droghe, bevande alcoliche e medicinali.** Un attimo di distrazione durante l'uso dell'utensile potrà causare lesioni gravi.
  - b) **Indossare sempre equipaggiamento protettivo individuale, nonché guanti protettivi.** Se si avrà cura d'indossare equipaggiamento protettivo individuale come la maschera antipolvere, la calzatura antidirrucciolevole di sicurezza, il casco protettivo o la protezione dell'udito, a seconda dell'impiego previsto per l'utensile elettrico, si potrà ridurre il rischio di ferite.
  - c) **Evitare avviamenti involontari. Controllare che l'interruttore sia nella posizione off prima di effettuare il collegamento a una sorgente di alimentazione/batteria, e prima di sollevare o trasportare l'utensile.** Il fatto di tenere il dito sopra all'interruttore o di collegare l'utensile acceso all'alimentazione di corrente potrà essere causa di incidenti.
  - d) **Togliere gli attrezzi di regolazione o la chiave inglese prima di accendere l'utensile.** Un utensile o una chiave inglese che si trovino in una parte di strumento in rotazione potranno causare lesioni.
  - e) **È importante non sopravvalutarsi. Avere cura di mettersi in posizione sicura e di mantenere l'equilibrio.** In tale maniera sarà possibile controllare meglio l'apparecchio in situazioni inaspettate.
  - f) **Indossare vestiti adeguati. Evitare di indossare vestiti lenti o gioielli. Tenere i capelli, i vestiti ed i guanti lontani da pezzi in movimento.** Vestiti lenti, gioielli o capelli lunghi potranno impigliarsi in pezzi in movimento.
  - g) **Se sussiste la possibilità di montare dispositivi di aspirazione o di captazione della polvere, assicurarsi che gli stessi siano stati installati correttamente e vengano utilizzati senza errori.** L'impiego dei suddetti dispositivi diminuisce il pericolo rappresentato dalla polvere.
  - h) **Non lasciare che la familiarità acquisita**



con l'utilizzo frequente dell'elettrotensile si trasformi in autocompiacimento e trascuratezza dei principi di sicurezza. Un'azione imprudente può causare lesioni gravi entro una frazione di secondo.

#### 4. Maneggio ed impiego accurato di utensili elettrici

- a) **Non sovraccaricare l'utensile.** Impiegare l'utensile elettrico adatto per sbrigare il lavoro. Utilizzando l'utensile elettrico adatto si potrà lavorare meglio e con maggior sicurezza nell'ambito della gamma di potenza indicata.
- b) **Non utilizzare utensili elettrici con interruptori difettosi.** Un utensile elettrico che non si può più accendere o spegnere è pericoloso e dovrà essere riparato.
- c) **Scollegare la spina dalla sorgente di alimentazione e/o la batteria dall'utensile prima di effettuare regolazione, cambiare accessori, o riporre gli utensili a motore.** Tale precauzione eviterà che l'apparecchio possa essere messo in funzione inavvertitamente.
- d) **Custodire gli utensili elettrici non utilizzati al di fuori della portata dei bambini. Non fare usare l'apparecchio a persone che non sono abituate ad usarlo o che non abbiano letto le presenti istruzioni.** Gli utensili elettrici sono pericolosi se utilizzati da persone inesperte.
- e) **Effettuare accuratamente la manutenzione dell'apparecchio. Verificare che le parti mobili dello strumento funzionino perfettamente e non s'inceppino, che non ci siano pezzi rotti o danneggiati al punto tale da limitare la funzione dell'apparecchio stesso. Far riparare le parti danneggiate prima d'impiegare l'apparecchio.** Numerosi incidenti vengono causati da utensili elettrici la cui manutenzione è stata effettuata poco accuratamente.
- f) **Mantenere affilati e puliti gli utensili da taglio.** Gli utensili da taglio curati con particolare attenzione e con taglienti affilati s'inceppano meno frequentemente e sono più facili da condurre.
- g) **Utilizzare utensili elettrici, accessori, attrezzi, ecc. in conformità con le presenti istruzioni e secondo quanto previsto per questo tipo specifico di apparecchio. Osservare le condizioni di lavoro ed il lavoro da eseguirsi durante l'impiego.** L'impiego di utensili elettrici per usi diversi da quelli consentiti potrà dar luogo a situazioni di pericolo.
- h) **Mantenere le impugnature e le superfici di presa asciutte, pulite e prive di olio e grasso.** Le impugnature e le superfici di presa scivolose non permettono l'uso e il controllo sicuri dell'elettrotensile in situazioni impreviste.

#### 5. MANEGGIO ED IMPIEGO ACCURATO DI ACCUMULATORI

- a) **Caricare l'accumulatore solo ed esclusivamente nei dispositivi di carica consigliati dal produttore.** Per un dispositivo di carica previsto per un determinato tipo di

accumulatore, sussiste pericolo di incendio, se utilizzato con un accumulatore di tipo diverso.

- b) **Utilizzare negli utensili elettrici solo ed esclusivamente gli accumulatori previsti allo scopo.** L'uso di accumulatori di tipo diverso potrà dare insorgenza a lesioni e comportare il rischio d'incendi.
- c) **Tenere l'accumulatore non utilizzato lontano da graffette, monete, chiavi, chiodi, viti o da altri oggetti in metallo di piccole dimensioni che potrebbero causare un ponte tra i contatti.** Un eventuale corto circuito tra i contatti dell'accumulatore potrà dare origine a bruciature o ad incendi.
- d) **In caso di impiego sbagliato, potranno insorgere fuoriuscite di liquido dall'accumulatore. Evitarne il contatto. In caso di contatto casuale, sciacquare con acqua.** Qualora il liquido dovesse entrare in contatto con gli occhi, chiedere immediato consiglio al medico. Il liquido fuoriuscito dall'accumulatore potrà causare irritazioni cutanee o bruciature.
- e) **Non utilizzare una batteria o un elettrotensile danneggiati o modificati.** Le batterie danneggiate o modificate potrebbero manifestare un comportamento imprevedibile con la possibilità di causare un'esplosione o un incendio.
- f) **Non esporre una batteria o un utensile al fuoco o a temperature elevate.** L'esposizione al fuoco o a una temperatura superiore a 130°C potrebbe provocare un'esplosione.
- g) **Seguire tutte le istruzioni per la carica e non caricare la batteria o l'elettrotensile a una temperatura che non rientri nell'intervallo di valori specificato nelle istruzioni.** Una ricarica effettuata in maniera scorretta o a una temperatura che non rientra nell'intervallo di valori specificato, potrebbe danneggiare la batteria aumentando il rischio d'incendio.

#### 6. ASSISTENZA

- a) **Fare riparare l'apparecchio solo ed esclusivamente da personale specializzato e solo impiegando pezzi di ricambio originali.** In tale maniera potrà essere salvaguardata la sicurezza dell'apparecchio.
- b) **Non riparare le batterie danneggiate.** Gli interventi di riparazione sulle batterie devono essere eseguiti dal costruttore o da fornitori di assistenza autorizzati.

## AVVERTENZA DI SICUREZZA DI SEGA POTATRICE

1. **Tenere la sega potatrice a una distanza sufficiente dalle linee elettriche aeree.**
2. **Fare attenzione al pericolo di posizioni operative, nonché il rischio dei rami cadenti e i rami**

- che sono caduti al suolo e sta rimbalzando. L'operatore può essere colpito da rami cadenti o da quelli che rimbalzano dopo aver caduto al suolo. Rimuovere i rami nelle sezioni.
3. Per ridurre i rischi, mantenere le persone presenti a una distanza di sicurezza dalla macchina durante questa operazione.
  4. Mantenere sempre i piedi saldi a terra e un buon equilibrio durante l'uso. Utilizzare l'imbracatura fornita in dotazione.
  5. Utilizzare DPI durante l'operazione, compreso l'udito protezione, protezione per gli occhi (visiera o occhiali) e protezione della testa e indumenti.

- progettato per l'uso con l'apparecchiatura.
- m) Tenere il pacco batteria fuori dalla portata dei bambini.
  - n) Conservare i documenti originali del prodotto per riferimenti futuri.
  - o) Rimuovere la batteria dall'apparecchiatura, se non in uso.
  - p) Smaltire adeguatamente.
  - q) Non mischiare batterie di diverse marche, capacità, dimensioni o tipologia nello stesso dispositivo.
  - r) Tenere la batteria lontano da microonde e alta pressione.
  - s) **Attenzione! Non utilizzare batterie non ricaricabili.**

**CONSERVARE QUESTE ISTRUZIONI**

## ISTRUZIONI PER LA SICUREZZA DEL PACCO BATTERIA


- a) Non smontare, aprire o strappare le cellule secondarie o il pacco batteria.
- b) Non cortocircuitare un pacco batteria. Non conservare un pacco batteria disordinatamente in una scatola o un cassetto in cui potrebbero cortocircuitarsi tra essi o essere cortocircuitati da altri oggetti metallici. Quando il pacco batteria non è in uso, tenerlo lontano da altri oggetti metallici come graffette, monete, chiavi, chiodi, viti e altri piccoli oggetti metallici, potrebbe avverarsi un collegamento tra i due terminali. Collegare i terminali della batteria potrebbe causare incendi o ustioni.
- c) **Non esporre il pacco batteria a calore o fuoco. Evitare di conservarli alla luce diretta del sole.**
- d) **Non sottoporre il pacco batteria a scosse meccaniche.**
- e) In caso di perdite da una cellula, evitare che il liquido entri in contatto con la pelle o gli occhi. In caso di contatto, lavare l'area interessata con abbondante acqua e consultare un medico.
- f) Tenere le cellule e il pacco batteria puliti e asciutti.
- g) Pulire i terminali delle cellule e del pacco batteria con un panno pulito e asciutto nel caso in cui si sporchino.
- h) Il pacco batteria deve essere caricato prima dell'uso. Utilizzare sempre il caricatore corretto e consultare le istruzioni.
- i) Non lasciare un pacco batteria in carica se non in uso.
- j) Dopo lunghi periodi di conservazione, potrebbe essere necessario caricare e scaricare le cellule o il pacco batteria diverse volte per ottenere le massime prestazioni.
- k) Ricaricare solo con il caricatore specificato da Kress. Non utilizzare caricatori diversi da quelli forniti per l'uso specifico con l'apparecchiatura.
- l) Non utilizzare un pacco batteria non

## SIMBOLI


	Per ridurre il rischio di lesioni, l'utente deve leggere il manuale di istruzioni.
	Attenzione
	Indossare protezione per le orecchie.
	Indossare protezione per gli occhi.
	Indossare una mascherina antipolvere.
	Indossare un dispositivo di protezione per il capo.
	Indossare guanti protettivi.
	Calzature protettive.
	Mantenere una distanza sufficiente dalle linee elettriche

 <p>Li-Ion</p>	<p>Batteria agli ioni di litio (Li-Ion). Questo prodotto è stato contrassegnato con un simbolo riguardante la raccolta differenziata per tutti i pacchi batteria. La batteria sarà poi riciclata o demolita allo scopo di ridurre l'impatto ambientale. I pacchi batteria possono costituire un pericolo per l'ambiente e per la salute umana in quanto contengono sostanze pericolose.</p>
	<p>Non bruciare.</p>
	<p>Se smaltite in maniera scorretta, le batterie potrebbero entrare nel ciclo dell'acqua, con conseguenti rischi per l'ambiente. Non smaltire le batterie esaurite nei rifiuti generici.</p>
	<p>I prodotti elettrici non possono essere gettati tra i rifiuti domestici. L'apparecchio da rottamare deve essere portato al centro di riciclaggio per un corretto trattamento. Controllare con le autorità locali o con il rivenditore per localizzare il centro di riciclaggio più vicino.</p>
	<p>Smaltimento ecologico I vecchi apparecchi elettrici non devono essere smaltiti insieme ai rifiuti residui, ma devono essere smaltiti separatamente. Lo smaltimento presso il punto di raccolta comune da parte dei privati è gratuito. Il proprietario dei vecchi apparecchi è tenuto a portarli in questi punti di raccolta o in punti di raccolta simili. Con questo piccolo sforzo personale, si contribuisce al riciclo di preziose materie prime e al trattamento di sostanze tossiche.</p>
	<p>Sblocca</p>
	<p>Blocca</p>

## ISTRUZIONI SUL FUNZIONAMENTO

 **Nota:** Leggere scrupolosamente il manuale delle istruzioni prima di usare l'attrezzo.

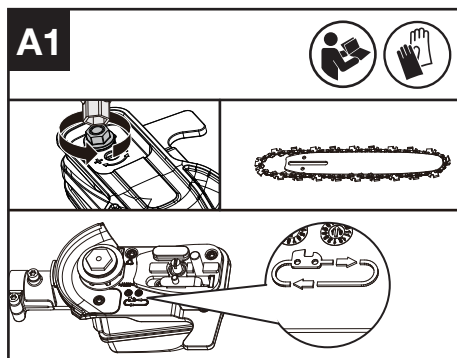
## MONTAGGIO

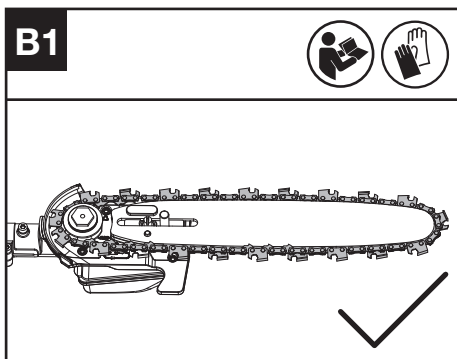
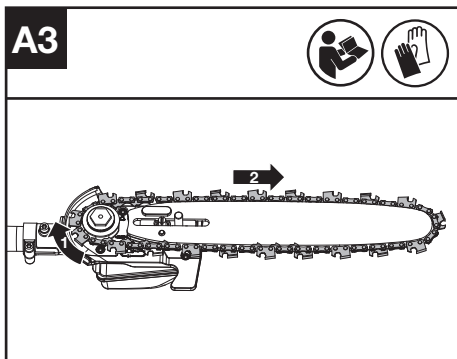
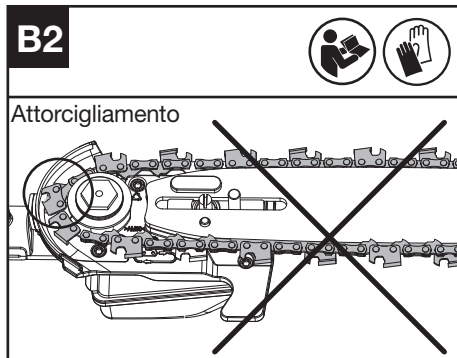
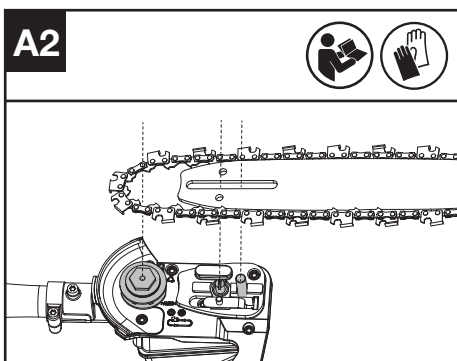
 **AVVERTENZA!** Non installare la batteria prima che sia stata assemblata completamente.

Maneggiando la catena della sega avere cura di portare sempre dei guanti di protezione.

### MONTAGGIO CATENA E BARRA GUIDA

1. Allentare la vite esagonale per rimuovere la copertura del dispositivo di comando. Far scorrere la catena nella fessura intorno alla barra guida. Assicurarsi che la catena sia orientata nella direzione corretta. (Vedere Fig. A1)
2. Posizionare la catena sul pignone motore in modo che il perno di posizionamento della barra sulla piastra della guida si inserisca nella scanalatura dell'apertura sulla barra guida. (Vedere Fig. A2, A3)
3. Assicurarsi che tutte le parti siano posizionate correttamente. Verificare che i collegamenti di trasmissione siano completamente inseriti nel pignone motore (Vedere Fig. B1), evitando di piegarsi come mostrato in Fig. B2. Se si verifica una piega, sollevate la catena sulla barra guida appena prima della piega e tirare fuori la piega. **NOTA:** La catena dovrebbe ruotare liberamente ma richiede un certo sforzo per ruotare.
4. Posizionare la copertura del dispositivo di comando e stringere la vite esagonale.





**!** **AVVERTENZA!** La catena non è ancora in tensione. Applicare tensione alla catena come descritto nella sezione “Tensionamento della catena”. Ora è necessario ispezionare la catena per assicurarsi che sia tesa correttamente.

### SERRAGGIO DELLA CATENA DELLA SEGA (VEDERE FIG. C, D)

**NOTA:** Le nuove catene della sega si adatteranno alla barra quando utilizzate per la prima volta. Verificare frequentemente la tensione della catena quando la sega viene utilizzata per la prima volta e stringere quando la catena diventa allentata intorno alla barra guida.

- Rimuovere il pacco batteria prima di regolare la tensione della catena della sega.
- Gli spigoli di taglio sulla catena sono affilati. Utilizzare guanti protettivi durante la manipolazione della catena.
- Mantenere sempre una corretta tensione della catena. Una catena allentata potrebbe saltare fuori dalla scanalatura della barra guida. Ciò potrebbe causare lesioni all'operatore e danni alla catena. Una catena allentata farà sì che la catena, la barra e il pignone si usurino rapidamente.

1. Posizionare la motosega su una superficie piana adatta e allentare il dado esagonale.
2. Girare la vite di tensionamento della catena in senso orario fino a quando è stretta. (Vedere Fig. C)

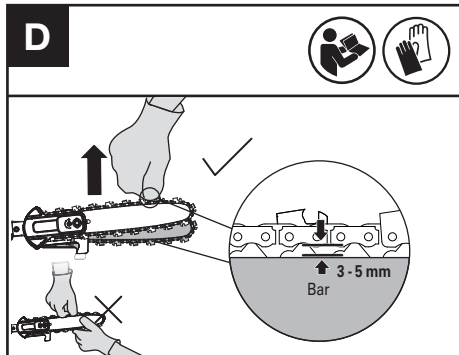
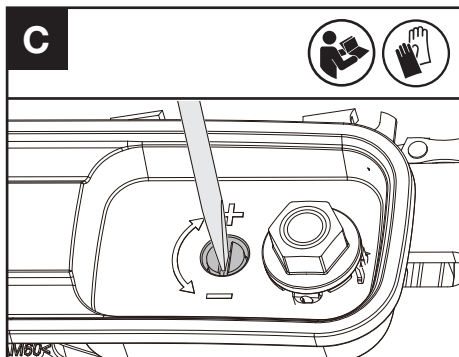
**NOTA:** La tensione aumenta automaticamente mentre si gira la vite di tensionamento della catena in senso orario. Quindi serrare saldamente il dado esagonale.

3. Controllare la tensione impostata dalla vite di tensionamento della catena. La corretta tensione della catena è raggiunta quando la catena può essere sollevata di circa la metà della profondità della catena dalla barra di guida al centro. Questo dovrebbe essere fatto usando una mano protetta da guanto per sollevare la catena contro il peso della macchina. (Vedere Fig. D) Quindi serrare completamente il dado esagonale.

**NOTA:** La catena è correttamente tensionata quando può essere sollevata dalla barra guida e il

la catena di trasmissione è all'interno del binario della barra guida.

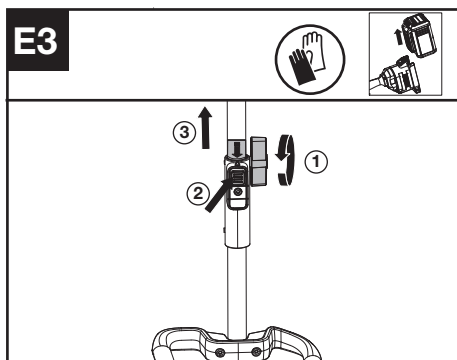
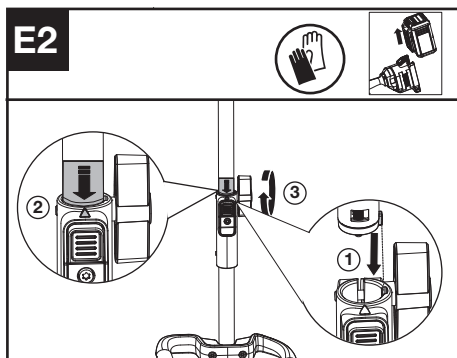
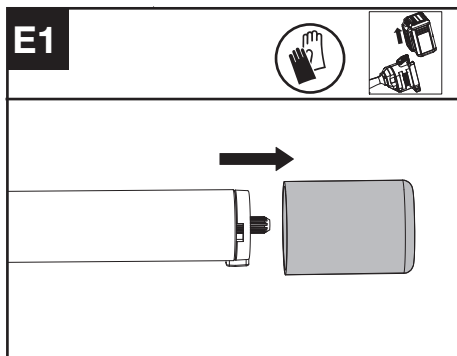
**NOTA:** La catena si allenterà durante il taglio e perderà la giusta tensione. Quando la catena diventa lenta, allentare il dado esagonale, riavvitare la vite di tensionamento della catena, quindi riavvitare il dado esagonale per reimpostare correttamente la tensione della catena seguendo i passaggi da 1 a 3 elencati precedentemente.



### Montaggio e smontaggio della testa di lavoro (Vedere Fig. E1, E2, E3)

1. Rimuovere il cappuccio protettivo dall'estremità dell'albero di attacco.
2. Per il montaggio, allineare l'icona del triangolo sul pulsante con l'etichetta della freccia sull'albero di attacco.
3. Spingere gli alberi insieme finché non si sente un "clic". Il bordo dell'etichetta della freccia deve essere vicino all'alloggiamento del collegamento dell'albero. (Nota: Se la testa di lavoro della sega a palo non può essere installata completamente nell'attorcigliamento EN 9 testa di alimentazione, ruotare leggermente la testa di lavoro finché non è possibile inserire completamente l'albero)
4. Terminare l'assemblaggio stringendo la manopola in senso orario.
5. Per lo smontaggio, allentare la manopola, ruotare in senso antiorario, quindi premere il pulsante di rilascio ed estrarre gli alberi. Riposizionare

il cappuccio di protezione sull'albero dell'accessorio per evitare che polvere e detriti penetrino nell'albero.



**Informazioni di montaggio e smontaggio per l'albero di prolunga, fare riferimento alle immagini E1, E2 e E3.**

## LUBRIFICAZIONE DELLA CATENA (VEDERE FIG. F)



**IMPORTANTE:** La sega a asta non è fornita con olio per barra e catena. È essenziale riempirlo con olio per barra e catena prima dell'uso. Non far funzionare mai la sega a asta senza olio per barra e catena o permettere che il serbatoio si svuoti, poiché ciò causerà danni estesi al prodotto. **NOTA:** La durata della catena e la capacità di taglio dipendono da una lubrificazione ottimale. Pertanto, la catena viene automaticamente oliata durante il funzionamento.

## RIEMPIMENTO DEL SERBATOIO DELL'OLIO:



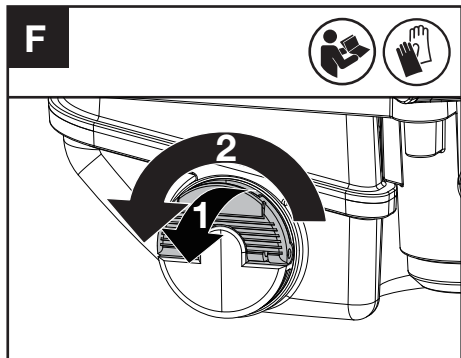
**AVVERTENZA:** Rimuovere il blocco batteria prima di riempire il serbatoio dell'olio.

1. Posizionare la motosega su una superficie adatta con il tappo di riempimento dell'olio rivolto verso l'alto.
2. Pulire l'area intorno al tappo di riempimento dell'olio con un panno e svitare il tappo girandolo in senso antiorario.
3. Aggiungere olio per barra e catena fino a riempire quasi completamente il serbatoio.
4. Evitare che sporco o detriti entrino nel serbatoio dell'olio, rimontare il tappo di riempimento dell'olio e stringere girandolo in senso orario fino a quando non è stretto a mano.



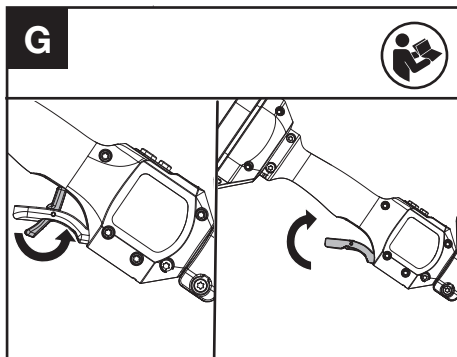
È importante utilizzare un lubrificante per barra e catena (non olio per autoveicoli) formulato per funzionare in un'ampia gamma di temperature senza richiedere diluizione. Questo può essere acquistato presso il luogo in cui è stata acquistata questa motosega o il proprio ferramenta locale. Non utilizzare oli sporchi, usati o altrimenti contaminati. Potrebbe verificarsi un danneggiamento della barra o della catena. L'uso di lubrificanti per barra e catena non approvati annullerà la garanzia.

Mantenere l'olio per barra fuori dalla portata dei bambini. In caso di ingestione, contattare immediatamente un medico. Conservare lontano da fonti di calore o fiamme libere.



## FUNZIONAMENTO

### Avvio della sega a palo



1. Premere innanzitutto in avanti la leva di sicurezza disattivazione, quindi premere e tenere premuto il grilletto dell'acceleratore per avviare la macchina.

**NOTA:** Ulteriori dettagli sono disponibili nel manuale della testa motore.

### TAGLIO



**IMPORTANTE:** Controllare periodicamente il serbatoio dell'olio. Controllare la tensione della catena sostituita di recente ogni volta che si sostituisce il pacco batteria.

- (1) Installare il pacchetto batteria sulla macchina.
- (2) Non permettere alla catena di venire a contatto con il terreno durante il funzionamento, poiché ciò appiattirà la catena.
- (3) Utilizzare entrambe le mani per impugnare la sega.
- (4) Assicurarsi che la posizione sia salda. Mantenere i piedi alla larghezza delle spalle. Distribuire il peso uniformemente su entrambi i piedi.
- (5) Quando si è pronti per effettuare un taglio, seguire le procedure di avvio e la selezione della velocità sopra indicate. Ciò accenderà la sega. Rilasciare il grilletto spegnerà la sega. Assicurarsi che la sega stia funzionando a piena velocità prima di iniziare un taglio.
- (6) Quando si inizia un taglio, posizionare lentamente la catena in movimento contro il legno. Il legno dovrebbe essere il più vicino possibile alla testa di taglio. Tenere saldamente la sega in posizione per evitare eventuali rimbalzi o scivolamenti (movimenti laterali) della sega.
- (7) Guidare la sega usando una leggera pressione e non applicare una forza eccessiva sulla sega, lasciando che faccia il suo lavoro. Il motore si sovraccaricherà e potrebbe bruciarsi. Funzionerà in modo migliore e più sicuro alla velocità per cui è stata progettata.
- (8) Rimuovere la sega da un taglio con la sega in funzione a piena velocità. Arrestare la sega. Assicurarsi che la catena si sia fermata prima di posare la sega.

- (9) Esercitarsi su tronchi di prova in un'area di lavoro sicura fino a quando ci si sente a proprio agio, utilizzando un movimento fluido e un ritmo di taglio costante.

## DISPOSITIVI DI SICUREZZA CONTRO IL RIMBALZO SU QUESTA SEGA

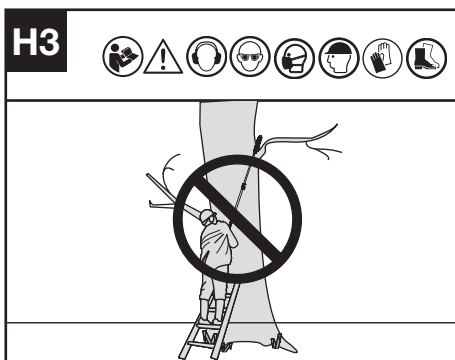
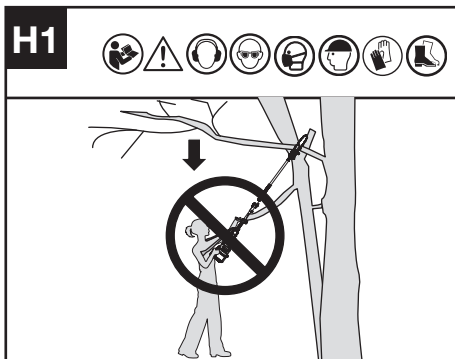
Questa sega è dotata di una catena a basso rimbalzo e di una barra guida ridotta nel rimbalzo. Entrambi gli elementi riducono il rischio di rimbalzo. Tuttavia, il rimbalzo può comunque verificarsi con questa sega a asta.

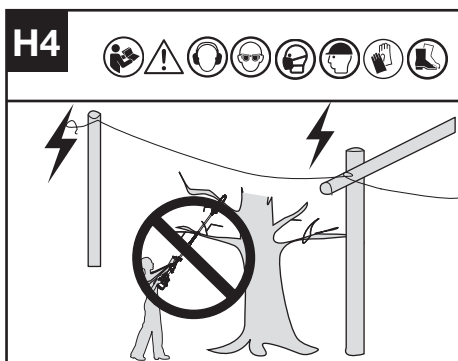
I seguenti passaggi ridurranno il rischio di rimbalzo.

- Utilizzare entrambe le mani per impugnare la sega mentre è in funzione. Mantenere una presa ferma.
- Mantenere tutti gli elementi di sicurezza in posizione sulla sega. Verificare che funzionino correttamente.
- Mantenere sempre una posizione solida e un equilibrio.
- Posizionarsi leggermente sul lato sinistro della sega. Ciò impedisce al corpo di trovarsi direttamente in linea con la catena.
- Non lasciare che la punta della barra guida tocchi nulla quando la catena è in movimento.
- Non seppellire la punta della barra guida o cercare di effettuare un taglio a tuffo (forare il legno usando la punta della barra guida).
- Prestare attenzione a eventuali spostamenti del legno o ad altre forze che potrebbero pizzicare la catena.
- Usare estrema cautela quando si rientra in un taglio precedente.
- Utilizzare solo la catena a basso rimbalzo e la barra guida fornite con questa sega a asta o quelle consigliate.
- Non utilizzare mai una catena smussata o allentata. Mantenere la catena affilata con la tensione corretta.

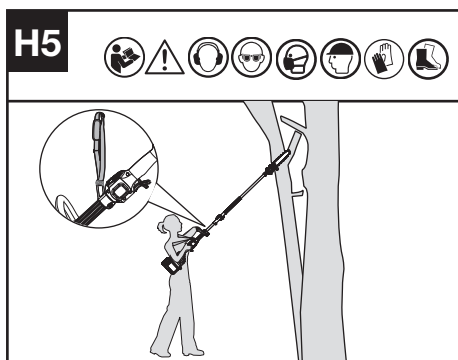
## TAGLIO DI RAMI ALTI

1. Inserire il pacco batteria nella macchina.
2. Prima di tagliare un ramo alto, prestare particolare attenzione alla probabile traiettoria di caduta del ramo. **ATTENZIONE:** Non posizionarsi direttamente sotto un ramo in fase di taglio. Tenere lontano gli astanti. Non stare su una scala o su un altro tipo di supporto instabile durante l'uso dell'attrezzo. Non utilizzare l'attrezzo vicino a cavi, alimentazione elettrica o linee telefoniche. Mantenersi a 3 metri di distanza da tutte le linee elettriche. (Vedere Fig. H1-H4)





- Utilizzare entrambe le mani per afferrare la sega a palo e tagliare i rami.



## POTATURA DI UN ALBERO

**AVVERTENZA:** Evitare i contraccolpi. Un contraccolpo può dare luogo a lesioni personali gravi o a un decesso. Per evitare il rischio di contraccolpi, consultare la sezione "Contraccolpi".

**Attenzione:** Non utilizzare la motosega a asta durante

- su un albero;
- su una scala o in qualsiasi altra posizione instabile;
- in qualsiasi posizione scomoda.

Si potrebbe perdere il controllo della sega con la possibilità che si verifichino lesioni personali gravi.

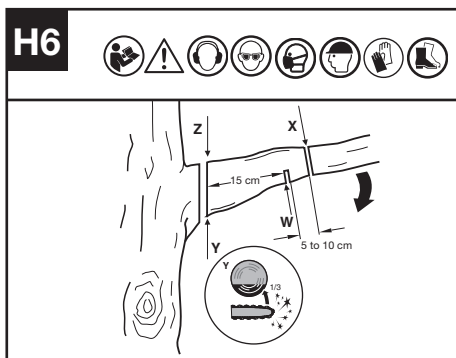
**AVVERTENZA:** Rivolgersi a un professionista se ci si trova ad affrontare condizioni operative al di là delle proprie capacità.

La potatura di un albero consiste nel tagliare rami di un albero in vita. Accertarsi di avere un equilibrio stabile. Tenere i piedi e le spalle ben divaricati. Distribuire il peso in modo uniforme su entrambi i piedi.

Per potare un albero seguire le istruzioni descritte di seguito

- Effettuare il primo taglio a pochi centimetri (c) dal tronco dell'albero sul lato inferiore del ramo. Usare

la parte superiore della barra guida per effettuare questo taglio. Tagliare circa 1/3 del diametro del ramo (Vedere Fig. H6).



- Spostarsi di qualche centimetro (il 30% di c) più in alto sul ramo. Effettuare il secondo taglio dall'alto del ramo. Continuare il taglio fino a tagliare completamente il ramo.
- Continuare il terzo taglio il più vicino possibile al tronco dell'albero, recidendo completamente il moncone rimanente. Utilizzare la parte inferiore della barra di guida per effettuare questo taglio.

## PER GLI UTENSILI A BATTERIA

L'intervallo di temperatura ambiente consigliato per lo scarico è di  $-20^{\circ}\text{C}$  ~  $45^{\circ}\text{C}$ .

La temperatura ambientale raccomandata per il caricabatterie durante la ricarica è di  $-5^{\circ}\text{C}$  ~  $45^{\circ}\text{C}$ .

## TRASPORTO

### Trasporto della motosega a asta

- Spegnere la motosega a asta e rimuovere la batteria.
- Quando si trasporta la motosega a asta a mano, tenere l'asta della motosega facendo attenzione che la macchina sia parallela al terreno e la barra sia rivolta all'indietro.
- Quando si trasporta la motosega a asta in un veicolo, assicurarla e posizionarla in modo da evitare movimenti o danni.

## MANUTENZIONE DELLA SEGA

Seguire le istruzioni di manutenzione presenti in questo manuale. Una pulizia e manutenzione adeguata della sega, della catena e della barra guida possono ridurre le probabilità di usura. Ispezionare ed effettuare la manutenzione della sega dopo ogni uso. Ciò aumenterà la durata di servizio della propria sega. Se la sega si bagna sotto la pioggia durante il funzionamento, la macchina e la batteria devono essere asciugate prima di riportarle o caricarle.



# MANUTENZIONE E IMMAGAZZINAMENTO DELLA MOTOSEGA AD ASTA

## 1. Rimuovere il pacco batteria

- Quando non è in uso
- Prima di spostarlo da un luogo all'altro
- Prima di effettuare la manutenzione
- Prima di cambiare accessori o attacchi, come catene e barra della sega

## 2. Ispezionare la motosega prima e dopo ogni

**utilizzo.** Controllare attentamente se la protezione o altre parti sono danneggiate. Verificare eventuali danni che potrebbero influire sulla sicurezza dell'operatore o sul funzionamento della sega. Controllare l'allineamento o il bloccaggio delle parti mobili. Verificare la presenza di parti rotte o danneggiate. Non utilizzare la motosega se i danni influiscono sulla sicurezza o sul funzionamento. Far riparare i danni presso un centro di assistenza autorizzato.

## 3. Mantieni l'Eseguire con cura la manutenzione della motosega.

- Tenere la catena affilata, pulita e lubrificata per prestazioni migliori e più sicure.
- Seguire i passaggi indicati in questo manuale per affilare la catena.
- Mantenere le impugnature asciutte, pulite e prive di olio e grasso.
- Tenere tutte le viti e i dadi ben stretti.

## 4. Durante la manutenzione, utilizzare solo parti di ricambio identiche.

## 5. Quando non è in uso, conservare sempre la motosega

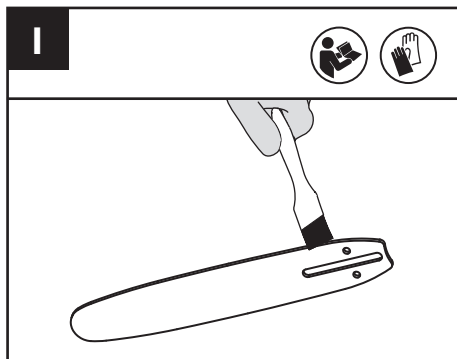
- In un luogo alto o chiuso, fuori dalla portata dei bambini
- In un luogo asciutto
- Con il fodero protettivo in posizione

## MANUTENZIONE DELLA BARRA

Per massimizzare la durata della barra, si consiglia di seguire questi accorgimenti di manutenzione. Le guide della barra che trasportano la catena devono essere pulite prima di ritirare l'utensile o se è presente sporizia sulla barra o sulla catena. Le guide devono essere pulite ogni volta che viene rimossa la catena. L'eliminazione occasionale delle sbavature dalle guide della barra può essere necessaria con una lima piatta.

## PER PULIRE LE GUIDE DELLA BARRA

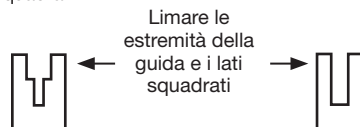
1. Rimuovere il coperchio della catena e la barra e la catena. (vedere sezione MONTAGGIO)
2. Utilizzando una spazzola metallica, un cacciavite o uno strumento simile, rimuovere i residui dalle guide della barra. (Vedere Fig. I)
3. Assicurarsi di pulire accuratamente i passaggi dell'olio.



## CONDIZIONI CHE RICHIEDONO LA MANUTENZIONE DELLA CATENA E DELLA BARRA DI GUIDA:

- La sega taglia su un lato o a uad angolo.
- È necessario forzare la sega per praticare il taglio.
- Fornitura di lubrificante inadeguata alla barra e alla catena.

Verificare la condizione della barra di guida ogni volta che si affila la catena. Una barra di guida usurata danneggerà la catena e renderà difficoltoso il taglio. Dopo ogni uso, con l'unità disconnessa dalla sorgente di alimentazione, rimuovere tutta la segatura dalla barra di guida e dal foro del dente. Quando la parte superiore della guida è irregolare, utilizzare una lima piatta per ripristinare le estremità e i lati quadrati.



Scanalatura usurata

Scanalatura corretta

Sostituire la barra di guida quando la scanalatura è usurata, la barra di guida è piegata o incrinata o quando si verifica un surriscaldamento o una sbavatura eccessiva delle guide. Se è necessaria la sostituzione, utilizzare soltanto la barra di guida specificata per la sega nell'elenco delle parti di riparazione o sull'etichetta posta sulla motosega.

## SOSTITUIRE BARRA E CATENA.N

Sostituire la catena quando i denti siano troppo logorati per essere affilati o quando la catena si rompe. Utilizzare soltanto le catene di ricambio indicate in questo manuale.

Ispezionare la guida prima di affilare la catena. Una guida logora o danneggiata è pericolosa e rende l'operazione di taglio più difficile.

## AFFILATURA DELLA CATENA DELLA SEGA



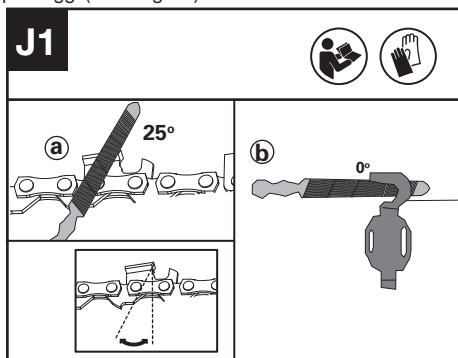
**AVVERTENZA:** Rimuovere il pacco batteria dalla sega prima delle operazioni di

**manutenzione. Lesioni gravi o morte possono essere causate da folgorazione o contatto del corpo con la catena in movimento.**

**Le lame della catena sono affilate. Usare guanti protettivi quando si maneggia la catena.**

Mantenere affilati e puliti gli utensili da taglio. La sega eseguirà il suo lavoro in maniera più veloce e più sicura. Una catena smussata causerà un deterioramento eccessivo dei denti, della guida, della catena e del motore. Se è necessario spingere con forza la catena nel legno e se tagliando si producono soltanto segatura e poche grandi schegge, vuol dire che la catena è smussata.

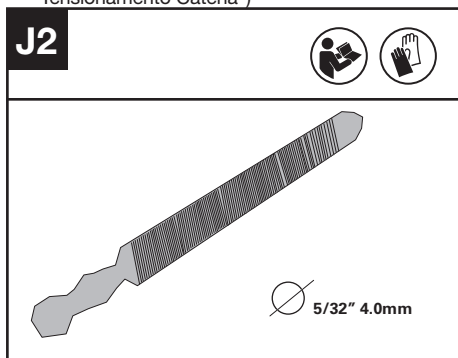
Prima di affilare, prestare attenzione ai seguenti passaggi:( Vedi Fig. J1)



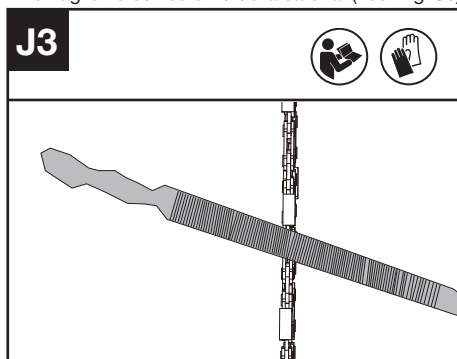
a:Angolo di limatura; b:posizione della lima.

#### Come affilare i denti

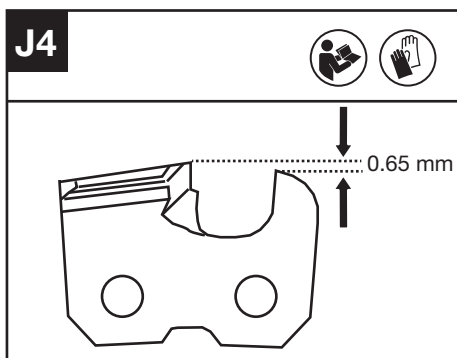
1. Preparare una lima rotonda per affilare la taglierina. (Vedi Fig. J2). Nota: bloccare saldamente la barra di guida in una morsa prima di affilare la catena. Assicurarsi che la catena non sia "tagliata" e possa muoversi liberamente sulla barra di guida. Controllare che la catena sia correttamente tesa. (Vedere sezione "Tensionamento Catena")



2. Affilare le frese con lima dal lato interno dei denti di taglio verso l'esterno della catena. (Vedi Fig. J3)



3. Limare tutte le frese su un lato della barra di guida.
4. Ruotare la motosega e limare tutte le frese sul lato opposto.
5. Assicurarsi che la lunghezza di tutti i denti di taglio sia la stessa. Per garantire un taglio efficiente, sicuro e liscio, limare l'altezza del calibro di profondità a 0,65 mm. Assicurarsi che il bordo anteriore del calibro di profondità sia arrotondato. (Vedi Fig. J4)

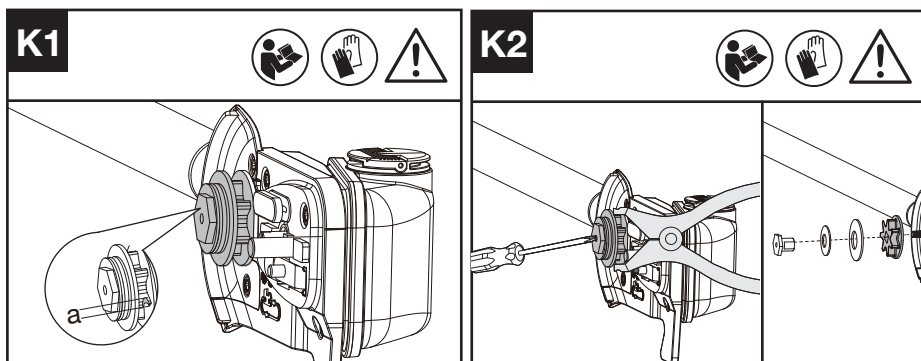


## INSPEZIONE E MANUTENZIONE DELLA CATENA DI TRASMISSIONE

**ATTENZIONE:** Prima di effettuare il controllo, è obbligatorio spegnere la sega ad asta e rimuovere la batteria.

1. Rimuovere il coperchio della catena di trasmissione, la catena e la guida della barra.
2. Verificare se i segni di usura sono più profondi di  $a = 0,5$  mm come mostrato nella Figura S1, in tal caso, la catena di trasmissione deve essere sostituita. (Vedi Fig. K1)
3. Quando si sostituisce la catena di trasmissione, controllare catena di trasmissione con delle pinze

e utilizzare un cacciavite per allentare le vite e sostituirla. (Vedi Fig. K2)



## PULIZIA

1. Spegnere la motosega a asta e rimuovere la batteria.
2. Non utilizzare detergenti o solventi aggressivi. Dopo l'uso, pulire la macchina con un panno umido imbevuto di un detergente delicato.
3. Mantenere il collegamento della batteria libero da sporcizia e detriti e pulirlo con una spazzola o un panno morbido e asciutto.
4. Non spruzzare acqua sul motore e sui componenti elettrici.
5. Non usare un'idropulitrice per pulire la macchina

## IMMAGAZZINAMENTO

1. Rimuovere il pacco batteria dalla sega ad asta prima di riporlo.
2. Conservare la sega ad asta e la batteria in un luogo asciutto e sicuro, fuori dalla portata dei bambini e di altre persone non autorizzate.
3. Una volta bagnata dalla pioggia durante il funzionamento, la macchina e la batteria devono essere asciugate prima di riporle o caricarle. Rimuovere la batteria e reinserirla se la macchina non si accende.

## INDIVIDUAZIONE DEI GUASTI

Qualora l'elettrotensile non dovesse funzionare correttamente, la tabella che segue illustra problemi che si evidenziano in caso di guasto le possibili cause e le misure da adottare a rimedio del problema. Se non fosse possibile, in base alla stessa, identificare ed eliminare il problema, rivolgersi all'officina Service di fiducia.

**⚠ ATTENZIONE:** Prima di iniziare la ricerca della causa del guasto spegnere l'elettrotensile ed estrarre la batteria ricaricabile.

Problema	Possibili cause	Rimedi
La sega potatrice non funziona	Batteria esaurita	Caricare il pacco batteria
La sega potatrice funziona intermitentemente	Surriscaldamento	Posizionare la macchina in un luogo fresco e ventilato per farla raffreddare.
	Pressione eccessiva applicata durante il taglio	Applicare una pressione relativamente inferiore durante il taglio.
	Allentare l'attacco	Rivolgersi ad un'officina specializzata
	Contatto interno labile	
	Grilletto on/off difettoso	

Catena della sega asciutta.	Manca olio nel serbatoio dell'olio	Versare dell'olio riempiendo il serbatoio
	Tappo di riempimento dell'olio ostruito	Pulire il tappo di riempimento dell'olio
	Canale della fuoriuscita dell'olio otturato	Liberare il canale della fuoriuscita dell'olio
Catena/binario di guida troppo caldi.	Manca olio nel serbatoio dell'olio	Versare dell'olio riempiendo il serbatoio
	Tappo di riempimento dell'olio ostruito	Pulire il tappo di riempimento dell'olio
	Canale della fuoriuscita dell'olio otturato	Liberare il canale della fuoriuscita dell'olio
	Tensione della catena troppo alta.	Regolare la tensione della catena
	Catena non più affilata	Riaffilare la catena oppure sostituirla
Non si segare correttamente se la sega potatrice strappa e vibra	Tensione della catena troppo lenta.	Regolare la tensione della catena
	Catena non più affilata	Riaffilare la catena oppure sostituirla
	Catena eccessivamente consumata	Sostituire la catena.
	Dentatura della sega indica nella direzione sbagliata	Montare di nuovo la catena della sega con la dentatura che indica nella direzione corretta


## DATI TECNICI

	<b>KAC361</b>
Lunghezza della lama	25 cm
Velocità della catena	Alta: 17 m/s Bassa: 13 m/s
Capacità del serbatoio di scorta olio	160 ml
Passo della catena	3/8" LP
Misura della catena	1.1 mm
Grado di protezione	IPX4
Peso macchina	1.8 kg

## COMBINAZIONI DI ACCESSORI DI TAGLIO

Accessorio di taglio
KAC333-10"/25cm 0.043"/1.1mm 3/8 LP barra
KAC302-10"/25cm 0.043"/1.1mm 3/8 LP catena
KAC335-12"/30cm 0.043"/1.1mm 3/8 LP barra
KAC304-12"/30cm 0.043"/1.1mm 3/8 LP catena

## INFORMAZIONI CON ALBERO DI PROLUNGA (KAC360) INFORMAZIONI SUL RUMORE


Pressione sonora ponderata A	$L_{pA} = 79 \text{ dB(A)}$ $K_{pA} = 3.0 \text{ dB(A)}$
Potenza sonora ponderata A	$L_{wA} = 94,1 \text{ dB(A)}$ $K_{wA} = 1,1 \text{ dB(A)}$
Indossare protezione per le orecchie.	

## INFORMAZIONI SULLA VIBRAZIONE

I valori totali di vibrazione sono determinati secondo lo standard EN ISO 11680-1.

Valore emissione vibrazioni	$a_n = 1,3 \text{ m/s}^2$
	Incertezza $K = 1,5 \text{ m/s}^2$

## INFORMAZIONI SENZA ALBERO DI PROLUNGA INFORMAZIONI SUL RUMORE


Pressione sonora ponderata A	$L_{pA} = 82 \text{ dB(A)}$ $K_{pA} = 3.0 \text{ dB(A)}$
Potenza sonora ponderata A	$L_{wA} = 93 \text{ dB(A)}$ $K_{wA} = 1,5 \text{ dB(A)}$
Indossare protezione per le orecchie.	

## INFORMAZIONI SULLA VIBRAZIONE

I valori totali di vibrazione sono determinati secondo lo standard EN ISO 11680-1.

Valore emissione vibrazioni	$a_n = 1,87 \text{ m/s}^2$
	Incertezza $K = 1,5 \text{ m/s}^2$

Si può usare il valore totale della vibrazione dichiarata per riportare un attrezzo all'altro e anche come verifica preliminare dell'esposizione.

 **AVVERTENZA:** Il valore delle vibrazioni emesse durante il reale utilizzo dello strumento può differire dal valore dichiarato in base ai modi con cui viene usato lo strumento, ai seguenti esempi e ad altre variabili:

Come viene usato l'apparecchio e i materiali tagliati o forati.


Le condizioni e la buona manutenzione dello strumento.

L'uso dell'accessorio corretto per il taglio e la sua affilatura, nonché le sue buone condizioni.

La stretta sull'impugnatura e l'eventuale utilizzo di accessori antivibrazione.

L'adeguatezza dell'utilizzo dell'utensile rispetto a quanto previsto.

Questo strumento potrebbe causare la sindrome da vibrazioni mano-braccio se il suo utilizzo non viene gestito correttamente.

 **AVVERTENZA:** Per essere precisi, una stima del livello di esposizione nelle attuali condizioni di utilizzo dovrebbe anche tenere conto di tutte le parti del ciclo operativo, come le volte in cui lo strumento viene spento e il tempo in cui viene lasciato girare a vuoto senza realmente fare il suo lavoro. Questo potrebbe ridurre significativamente il livello di esposizione sul periodo di lavoro totale.

Un aiuto a minimizzare il proprio rischio di esposizione alle vibrazioni.


**USARE** sempre scalpelli, trapani e lame affilati.

Conservare questo strumento sempre in conformità a queste istruzioni e mantenerlo ben lubrificato (dove appropriato).

Se lo strumento deve essere usato regolarmente, investire in accessori antivibrazione.

Pianificare il programma di lavoro in modo da suddividere i lavori che implicano le maggiori vibrazioni nell'arco di più giorni.

## TUTELA AMBIENTALE

 I prodotti elettrici non possono essere gettati tra i rifiuti domestici. L'apparecchio da rottamare deve essere portato al centro di riciclaggio per un corretto trattamento. Controllare con le autorità locali o con il rivenditore per localizzare il centro di riciclaggio più vicino.

# DICHIARAZIONE DI CONFORMITÀ

NOI,  
Positec Germany GmbH  
Postfach 680194, 50704 Cologne, Germany

A nome di Positec si dichiara che il prodotto

**Descrizione:** Sega ad asta a batteria

**Codice:** KAC361 (361 - designazione della macchina, rappresentativa della sega a asta)

**Funzioni:** Taglio di rami alti

È conforme alle seguenti direttive:

**2006/42/EC, 2014/30/EU, 2011/65/EU & (EU)2015/863, 2000/14/EC modificato da 2005/88/EC**

L'organismo competente

Nome: Intertek Deutschland GmbH (organismo notificato 0905)

Indirizzo: Stangenstraße 1, 70771 LEINFELDEN-ECHTERDINGEN

Certificazione N.: 24SHW0160

## Informazioni con albero di prolunga (KAC360)

2000/14/EC modificato da 2005/88/EC:

- Procedura di conformità come da Annex V
- Potenza acustica pesata 94 dB(A)
- Massima potenza di rumore garantita 96 dB(A)

## Informazioni senza albero di prolunga

2000/14/EC modificato da 2005/88/EC:

- Procedura di conformità come da Annex V
- Potenza acustica pesata 93 dB(A)
- Massima potenza di rumore garantita 95 dB(A)

conforme a,

**EN 62841-1, EN ISO 11680-1, EN ISO 3744, EN IEC 55014-1, EN IEC 55014-2, EN IEC 63000**

Il responsabile autorizzato alla compilazione della documentazione tecnica,

**Nome Marcel Filz**

**Indirizzo Positec Germany GmbH**

**Postfach 680194, 50704 Cologne, Germany**



2024/01/26

Allen Ding

Vice capo ingegnere, testing e certificazione

Positec Technology (China) Co., Ltd.

18, Dongwang Road, Suzhou Industrial

Park, Jiangsu 215123, P. R. China

# ÍNDICE

Introducción.....	71
Lista de componentes.....	72
Seguridad del producto.....	73
Instrucciones de funcionamiento.....	76
Lubricación.....	78
Funcionamiento.....	79
Transporte.....	81
Mantenimiento de la sierra.....	81
Limpieza.....	83
Almacenamiento.....	84
Investigación de averías .....	84
Características técnicas .....	85
Declaración de conformidad.....	86

ES

## INTRODUCCIÓN

Estimado cliente,

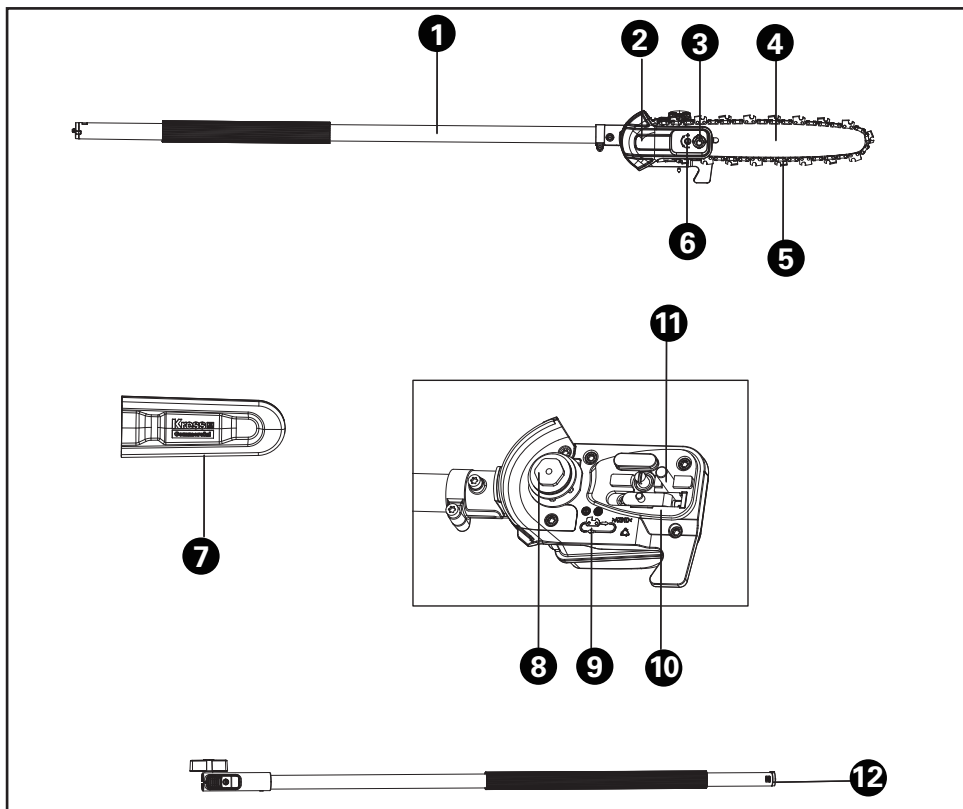
Gracias por comprar este producto Kress Commercial. Nos dedicamos a desarrollar productos de alta calidad para satisfacer sus requisitos de jardinería comercial.

La marca Kress es sinónimo de servicio de calidad suprema. Durante la vida de nuestros productos, si le surgen preguntas o preocupaciones sobre su producto, puede ponerse en contacto con el distribuidor o con nuestro Equipo de Atención al Cliente para obtener ayuda.

Confiamos en que, en los años venideros, disfrute trabajando con su producto Kress.

## FINALIDAD DE USO

En conjunto con KAC104 - Cabezal motorizado, esta sierra de pértiga está diseñada para podar y recortar ramas fuera del alcance de los brazos. Todos los cortes deben realizarse a lo largo de la veta. Este producto está destinado solo para cortar madera.



## LISTA DE COMPONENTES

- |     |                                   |
|-----|-----------------------------------|
| 1.  | EJE                               |
| 2.  | CUBIERTA DEL ENGRANAJE            |
| 3.  | TUERCA HEXAGONAL                  |
| 4.  | ESPADA                            |
| 5.  | CADENA DE SIERRA                  |
| 6.  | TORNILLO TENSOR DE CADENA         |
| 7.  | FUNDA PROTECTORA                  |
| 8.  | PIÑÓN DE TRANSMISIÓN              |
| 9.  | SÍMBOLO DE DIRECCIÓN DE LA CADENA |
| 10. | ALMOHADILLA DE LA BARRA           |
| 11. | PERNO DE LOCALIZACIÓN DE LA BARRA |
| 12. | TUBO DE EXTENSIÓN *               |


\* Los accesorios ilustrados o descritos pueden no corresponder al material suministrado de serie con el aparato.



# MANUAL ORIGINAL

## SEGURIDAD DEL PRODUCTO

### ADVERTENCIA DE SEGURIDAD GENERALES SOBRE HERRAMIENTAS ELÉCTRICAS

 ¡Advertencia! Lea todas las advertencias de seguridad, instrucciones, ilustraciones y especificaciones que acompañan a esta herramienta eléctrica. Si no se respetan todas las instrucciones que se indican abajo, podría producirse una descarga eléctrica, un incendio o alguien podría resultar herido de gravedad.

Conserve todas las advertencias e instrucciones para futuras consultas.

El término "herramienta eléctrica" en todas las advertencias siguientes corresponde a la herramienta eléctrica con o sin cable.

#### 1. ZONA DE TRABAJO

- a) **Mantener su lugar de trabajo limpio y bien iluminado.** Bancos de trabajo desordenados y lugares oscuros invitan a los accidentes.
- b) **No utilizar herramientas eléctricas en atmósferas explosivas, como por ejemplo en presencia de líquidos inflamables, gases o polvo.** Las herramientas eléctricas crean chispas que pueden encender el polvo o los vapores.
- c) **Mantener alejados a los niños y visitantes mientras opera una herramienta eléctrica.** Las distracciones pueden hacerle perder el control.

#### 2. SEGURIDAD ELÉCTRICA

- a) **Los enchufes de la herramienta eléctrica deben encajar perfectamente en el tomacorriente. Nunca modificar el enchufe de ninguna manera. No utilizar adaptadores con herramientas eléctricas conectadas a tierra.** Los enchufes no modificados y los que encajan perfectamente en el tomacorriente reducirán el riesgo de descarga eléctrica.
- b) **Evitar el contacto del cuerpo con superficies conectadas a tierra tales como caños, radiadores, cocinas y heladeras.** Existe un riesgo creciente de descarga eléctrica si su cuerpo queda conectado a tierra.
- c) **No utilice la máquina en condiciones de humedad o lluvia. Esto puede aumentar el riesgo de descarga eléctrica.** Si la máquina y la batería se mojan en la lluvia durante el funcionamiento, deben secarse antes de su almacenamiento o carga. Retire la batería y vuelva a insertarla si no se puede encender la máquina. Mantenga la conexión de la batería libre de suciedad y residuos, y límpiela con un cepillo o paño suave y seco.
- d) **No abusar del cable. Nunca utilizar el cable para**

transportar, tirar o desenchufar la herramienta eléctrica. Mantener el cable alejado del calor, del aceite, de bordes agudos o piezas móviles. Los cables dañados o enredados aumentan el riesgo de descarga eléctrica.

- e) **Cuando utilice su herramienta eléctrica al aire libre, emplear un prolongador apto para uso en exteriores.** El empleo de cables para uso al aire libre reduce el riesgo de descarga eléctrica.
- f) **Si es necesario utilizar la herramienta motorizada en un lugar muy húmedo, utilice una fuente de alimentación con dispositivo de corriente residual (RCD).** El uso de un RCD reduce el riesgo de descarga eléctrica.

#### 3. SEGURIDAD PERSONAL

- a) **Mantenerse alerta, poner atención en lo que está haciendo y utilice el sentido común mientras opera una herramienta eléctrica. No emplear la herramienta cuando se encuentre cansado o bajo la influencia de drogas, alcohol o medicación.** Un momento de falta de atención durante el manejo de herramientas eléctricas puede dar lugar a daños corporales serios.
- b) **Utilizar equipo de seguridad. Usar siempre protección ocular.** Equipo de seguridad como máscaras contra el polvo, zapatos antideslizantes de seguridad, sombrero o protección auditiva para condiciones apropiadas reducirá daños corporales.
- c) **Evite el arranque accidental. Asegúrese de que el interruptor se encuentra desactivado antes de enchufar la máquina o colocar la batería, al tomar la herramienta o transportarla.** Transportar herramientas con el dedo en el interruptor o enchufar la herramienta cuando el interruptor está encendido invitan a los accidentes.
- d) **Retire llaves de ajuste o llaves inglesas antes de poner la herramienta en funcionamiento.** Una llave que queda unida a una pieza móvil de la herramienta puede originar daños corporales.
- e) **No extralimitarse. Mantenerse firme y con buen equilibrio en todo momento.** Esto permite un mejor control de la herramienta en situaciones inesperadas.
- f) **Vestirse apropiadamente. No usar ropa suelta ni alhajas. Mantener su cabello, ropa y guantes alejados de las piezas móviles.** La ropa suelta, las alhajas o el cabello largo pueden ser atrapados por las piezas móviles.
- g) **Si se proporcionan dispositivos para la extracción y recolección de polvo, asegurarse de que estos estén conectados y utilizados correctamente.** El uso de estos dispositivos puede reducir peligros relacionados con el polvo.
- h) **No permita que el hecho de estar familiarizado con el uso de herramientas le haga volverse descuidado o ignorar las normas de seguridad.** La falta de atención puede provocar heridas graves en una fracción de segundo.

#### 4. MANTENIMIENTO DE LA HERRAMIENTA MOTORIZADA

- a) **No forzar la herramienta eléctrica. Utilizar la herramienta eléctrica correcta para su aplicación.** La herramienta eléctrica correcta hará el trabajo mejor y más seguro a la velocidad para la cual fue diseñada.
- b) **No utilizar la herramienta eléctrica si el interruptor no la enciende o apaga.** Cualquier herramienta eléctrica que no pueda ser controlada con el interruptor es peligrosa y debe ser reparada.
- c) **Desconecte el enchufe de la toma eléctrica y/o la batería de la herramienta antes de realizar cualquier ajuste, cambiar un accesorio o guardar la herramienta.** Tales medidas de seguridad preventivas reducen el riesgo de arranque accidental de la herramienta.
- d) **Mantener las herramientas eléctricas que no usa fuera del alcance de los niños y no permita que personas no familiarizadas con la herramienta o con estas instrucciones maneje la herramienta eléctrica.** Las herramientas eléctricas son peligrosas en manos de usuarios inexpertos.
- e) **Revisar las herramientas eléctricas. Comprobar si hay desalineamiento o atascamiento de piezas móviles, rotura de piezas en general y cualquier otra condición que pueda afectar la operación normal de la herramienta. Si se verifican daños, recurra a un service calificado antes de volver a usar la herramienta.** Las herramientas mal mantenidas causan muchos accidentes.
- f) **Mantener las piezas de corte limpias y afiladas.** Puesto que son menos probables de atascarse y más fáciles de controlar.
- g) **Utilizar la herramienta eléctrica, accesorios y brocas etc., de acuerdo con estas instrucciones y de la manera prevista para el tipo particular de herramienta eléctrica, teniendo en cuenta las condiciones de trabajo y el trabajo a ser realizado.** El uso de la herramienta eléctrica para otras operaciones distintas de lo previsto podría dar lugar a una situación peligrosa.
- h) **Mantenga las empuñaduras y las superficies de agarre secas, limpias y sin aceite ni grasa.** Una empuñadura o una superficie de agarre resbaladiza dificultan la correcta manipulación y el control de la herramienta en situaciones imprevistas.

## 5. UTILIZACIÓN Y MANTENIMIENTO DE LA BATERÍA

- a) **Recargar solamente con el cargador indicado por el fabricante.** Un cargador adaptado a un tipo de batería podría crear un riesgo de incendio si se utiliza con una diferente batería.
- b) **Utilizar las herramientas eléctricas solamente con baterías especialmente adaptadas.** La utilización de cualquier otra batería podría causar un riesgo de incendio o herida.
- c) **Cuando la batería no está en uso, tenerla lejos de los objetos metálicos como los trombones, las piezas de moneda, las llaves,**

**los clavos, los tornillos, o cualquier otro pequeño objeto metálico susceptibles de establecer una conexión de un terminal a otra.** El cortocircuito de un terminal a otra puede causar quemaduras o un incendio.

- d) **Hay una fuga de líquido de la batería. Evitar todo contacto. Si entre accidentalmente en contacto con este líquido, lavar con agua limpia. En caso de contacto con los ojos, consultar a un médico.** El líquido presente en las baterías puede causar irritaciones o quemaduras.
- e) **No utilice una batería o una herramienta que estén dañadas o hayan sido modificadas.** Las baterías dañadas y modificadas pueden comportarse de forma imprevisible y provocar un incendio, una explosión o herir a alguien.
- f) **No arroje una batería o herramienta al fuego ni las exponga a una temperatura excesiva.** La exposición al fuego y a temperaturas superiores a 130 °C puede provocar una explosión.
- g) **Respete todas las instrucciones de carga y no cargue la batería o la herramienta fuera del rango de temperatura especificado en las instrucciones.** Una carga inadecuada o a una temperatura fuera del rango especificado puede ocasionar daños en la batería y aumentar el riesgo de incendio.

## 6. REPARACIÓN

- a) **Permitir que el mantenimiento de su herramienta eléctrica sea efectuado por una persona calificada usando solamente piezas de recambio idénticas.** Esto es primordial para mantener la seguridad de la herramienta eléctrica.
- b) **No intente reparar nunca una batería dañada.** Cualquier intervención técnica en una batería debe ser realizada exclusivamente por el fabricante o por un servicio técnico autorizado.

## ROD VIO ADVERTENCIA DE SEGURIDAD

1. **Mantenga la sierra de pértiga a una distancia suficiente de la línea eléctrica aérea.**
2. **Preste atención al peligro de la posición de operación, así como al riesgo de que caigan ramas o golpes que golpeen el suelo, y el operador puede ser golpeado por ramas que caen o golpean ramas después de tocar el suelo.**  
Eliminar las ramas en cada sección.
3. **Para reducir el riesgo, mantenga a los transeúntes a una distancia segura de la máquina mientras esta esté en funcionamiento.**
4. **Mantenga un equilibrio firme durante el uso de la máquina. Utilice el arnés proporcionado.**
5. **Use PPE cuando opere, incluida la audición protección, protección para los ojos (visera o anteojos) y ropa y protección para la cabeza.**

# ADVERTENCIAS DE SEGURIDAD PARA LA BATERÍA

- a) No desmonte, abra o destruya las pilas o las baterías recargables.
- b) No provoque un cortocircuito en la batería. No almacene las baterías de forma descuidada en una caja o cajón donde podría provocar un cortocircuito entre ellas o mediante otros objetos metálicos. Cuando la batería no esté siendo utilizada, manténgala alejada de objetos metálicos, como clips de papel, monedas, llaves, clavos, tornillos u otros objetos metálicos pequeños, que pueden posibilitar la conexión de un borne con otro. Al provocar un cortocircuito con los bornes de la batería se pueden sufrir quemaduras o generar un incendio.
- c) No exponga las baterías al calor o al fuego. No las guarde expuestas directamente al sol.
- d) No exponga las baterías a impactos mecánicos.
- e) En caso de que la batería tenga fugas de líquido, no permita que el líquido entre en contacto con la piel o los ojos. Si se produce el contacto, lave la zona afectada con grandes cantidades de agua y acuda a un médico.
- f) Mantenga las baterías limpias y secas.
- g) Limpie los bornes de la batería con un paño limpio si se ensucian.
- h) Cargue la batería antes de utilizarla. Consulte siempre estas instrucciones y aplique el procedimiento de carga adecuado.
- i) No deje la batería cargándose durante prolongados períodos de tiempo cuando no se utilice.
- j) Después de prolongados períodos de almacenamiento, puede que sea necesario cargar y descargar la batería varias veces para obtener el máximo rendimiento.
- k) Recargue solo con el cargador indicado por Kress. No utilice ningún otro cargador que no sea el específicamente proporcionado para el uso con este equipo.
- l) No utilice ninguna batería distinta a la diseñada para utilizarse con el aparato.
- m) Mantenga la batería fuera del alcance de los niños.
- n) Conserve la documentación original del producto por si tuviera que consultarla en otro momento.
- o) Extraiga la batería del aparato cuando no lo utilice.
- p) Deshágase del producto correctamente.
- q) No se deben mezclar pilas de diferentes fabricantes, capacidad, tamaño o tipo en un mismo dispositivo.
- r) Mantener la batería lejos de microondas y alta presión.
- s) ¡Advertencia! No utilizar pilas no recargables.

GUARDE ESTAS INSTRUCCIONES

# SÍMBOLOS

	Para reducir el riesgo de lesión, lea el manual de instrucciones.
	Advertencia
	Utilícese protección auditiva
	Utilícese protección ocular
	Utilícese máscara antipolvo
	Llevar casco.
	Llevar guantes protectores
	Llevar calzado de seguridad
	Dejar distancia suficiente respecto a las líneas eléctricas
	Batería de iones de litio. Este producto tiene una marca que lo designa para la recogida selectiva, junto con otras pilas y baterías. Una vez recogido, se reciclará o se desmontará con el fin de reducir el impacto en el medioambiente. Las baterías contienen sustancias peligrosas y pueden ser perjudiciales para el medioambiente y para la salud de las personas.
	No quemar

ES



Si no se eliminan correctamente, las baterías podrían interferir en el ciclo del agua, una situación que pondría en riesgo el ecosistema. Por este motivo, las baterías no deben eliminarse junto con los residuos municipales sin clasificar.



Los residuos de aparatos eléctricos y electrónicos no deben depositarse en la basura doméstica. Se deben reciclar en las instalaciones especializadas. Consulte a las autoridades locales o el establecimiento para saber cómo reciclar estos productos.

Eliminación respetuosa con el medio ambiente. Los aparatos eléctricos antiguos no deben eliminarse junto con los residuos, sino que deben eliminarse por separado. La eliminación en el punto de recogida comunal a través de particulares es gratuita. El propietario de los electrodomésticos viejos es responsable de llevarlos a estos puntos de recogida o a otros similares. Con este pequeño esfuerzo personal, contribuye a reciclar valiosas materias primas y al tratamiento de sustancias tóxicas.



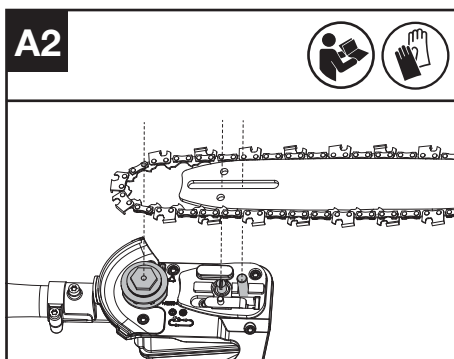
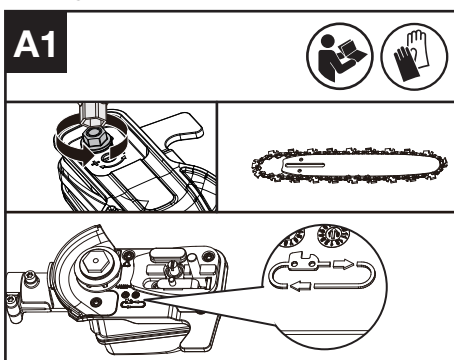
Desbloquear



Bloquear

del motor. Deslice la cadena en la ranura alrededor de la barra guía. Asegúrese de que la cadena esté en la dirección de funcionamiento correcta. (Ver Fig. A1)

2. Coloque la cadena en el piñón de transmisión, de modo que el perno de localización de la barra en la almohadilla de la barra encaje en la ranura de la abertura de la barra guía. (Ver Fig. A2, A3)
3. Asegúrese de que todas las piezas estén correctamente colocadas. Asegúrese de que los eslabones de transmisión estén completamente colocados en el piñón de transmisión (Ver Fig. B1), evitando un pliegue como se muestra en la Fig. B2. Si ocurre un pliegue, levante la cadena en la barra guía justo antes del pliegue y luego tire del pliegue hacia afuera.  
**NOTA:** La cadena debe girar libremente pero requiere un nivel de fuerza para girarla.
4. Coloque la cubierta del motor y apriete la tuerca hexagonal.



## INSTRUCCIONES DE FUNCIONAMIENTO



**Nota:** Antes de usar la herramienta lea el manual de instrucciones detenidamente.

## MONTAJE

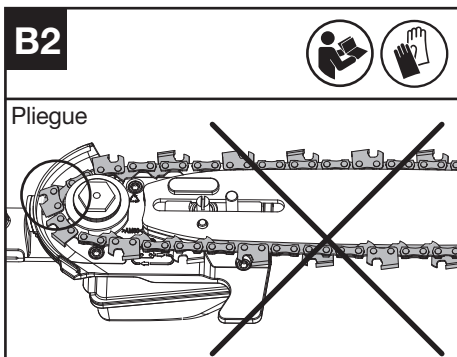
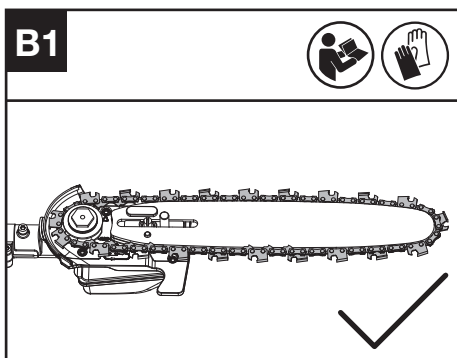
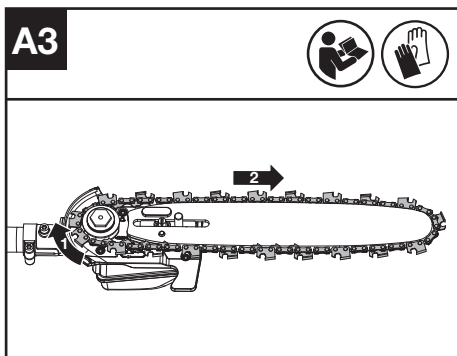


**ADVERTENCIA!** No instale la batería hasta que se haya montado completamente.

Al manipular en la cadena de sierra deben usarse siempre guantes de protección.

### ENSAMBLAJE DE LA CADENA Y LA BARRA GUÍA

1. Afloje la tuerca hexagonal para quitar la cubierta



**⚠ ADVERTENCIA:** La cadena todavía no se encuentra tensada. El tensado de la cadena se describe en la sección "Tensado de la cadena". Ahora la cadena necesita inspeccionarse para asegurarse de que la tensión es la correcta.

### TENSADO DE LA CADENA DE SIERRA (VER FIG. C, D)

**NOTA:** Las nuevas cadenas de sierra se ajustarán a la barra en su primer uso. Verifique con frecuencia la tensión de la cadena cuando se use por primera vez y ajústela cuando la cadena se afloje alrededor de la

barra guía.

- Retire la batería antes de ajustar la tensión de la cadena de la sierra.
- Los bordes de corte de la cadena están afilados. Use guantes protectores al manipular la cadena.
- Mantenga siempre la tensión adecuada de la cadena. Una cadena floja puede salirse de la ranura de la barra guía, lo que puede causar lesiones al operador y dañar la cadena. Una cadena floja provocará un desgaste rápido de la cadena, la barra y el piñón.

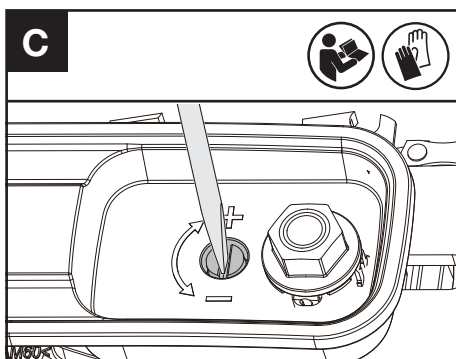
1. Coloque la sierra de pértiga en una superficie plana y adecuada y afloje la tuerca hexagonal.
2. Gire el tornillo tensor de la cadena en sentido horario hasta que esté apretado (Ver Fig. C).

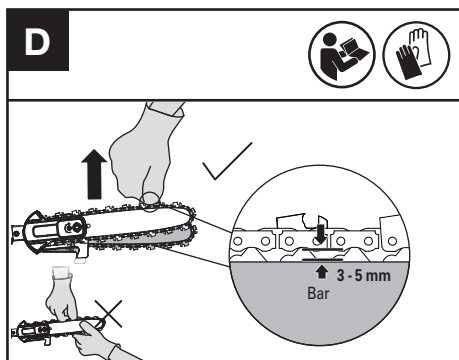
**NOTA:** La tensión aumenta automáticamente mientras se gira el tornillo de tensión de la cadena en sentido horario. Luego, apriete firmemente la tuerca hexagonal.

3. Verifique la tensión establecida por el tornillo de tensión de la cadena. La tensión correcta de la cadena se alcanza cuando la cadena puede levantarse aproximadamente a la mitad de la profundidad del eslabón de transmisión desde la barra guía en el centro. Esto debe hacerse usando una mano enguantada para levantar la cadena contra el peso de la máquina (Ver Fig. D). Luego, apriete completamente la tuerca hexagonal.

**NOTA:** La cadena está correctamente tensada cuando se puede levantar de la barra guía y el eslabón de transmisión está dentro del riel de la barra guía.

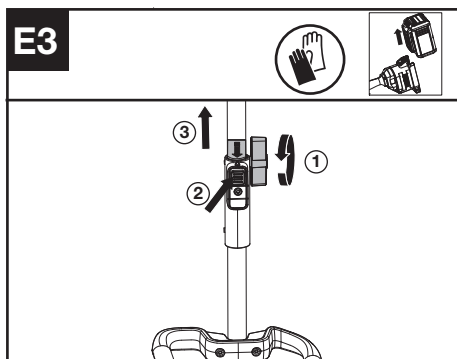
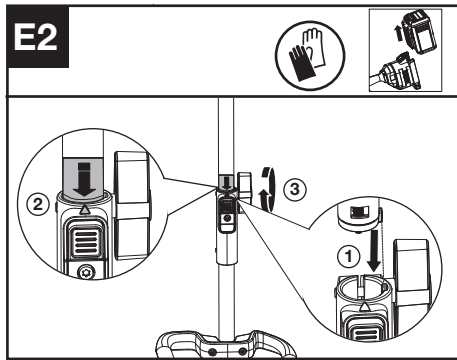
**NOTA:** La cadena se aflojará durante el corte y perderá la tensión adecuada. Cuando la cadena se afloje, afloje la tuerca hexagonal, vuelva a apretar el tornillo tensor de la cadena y luego vuelva a apretar la tuerca hexagonal para restablecer adecuadamente la tensión de la cadena siguiendo los pasos del 1 al 3 mencionados anteriormente.





### Montaje y desmontaje del cabezal motorizado (Ver Fig. E1, E2, E3)

1. Retire la tapa protectora del extremo del tubo del accesorio.
2. Para montar, alinee el icono triangular en el botón con la marca de flecha en el tubo del accesorio.
3. Empuje juntos los tubos hasta que se escuche un "clic". El borde de la marca de flecha debe estar cerca de la carcasa de conexión del tubo. (Nota: Si el cabezal de herramienta de sierra de pértiga no se puede instalar completamente en el cabezal motorizado, gire un poco el cabezal de herramienta de sierra de pértiga hasta que se pueda insertar completamente el vástago.)
4. Termine el montaje apretando el pomo en sentido horario.
5. Para desmontar, afloje el pomo, gire en sentido antihorario, presione el botón de liberación y separe el tubo. Sustituya la tapa protectora en el tubo del accesorio para asegurarse de que no entre polvo y suciedad en el tubo.



**Información de montaje y desmontaje para el eje de extensión, por favor consulte las imágenes E1, E2 y E3.**

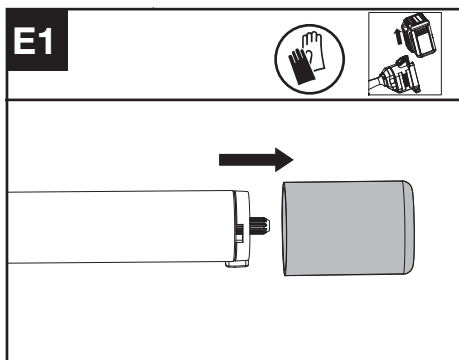
## LUBRICACIÓN (VER FIG. F)

**!** **IMPORTANTE:** La sierra de pértiga no está llena de aceite para barra y cadena. Es esencial llenarla con aceite para barra y cadena antes de usarla. Nunca opere la sierra de pértiga sin aceite para barra y cadena o permita que el depósito se quede vacío, ya que esto causará daños extensos al producto. **NOTA:** La vida útil de la cadena y la capacidad de corte dependen de la lubricación óptima. Por lo tanto, la cadena se lubrica automáticamente durante el funcionamiento.

### LLENADO DEL TANQUE DE ACEITE:

**!** **ADVERTENCIA:** Retire el paquete de baterías antes de llenar el tanque de aceite.

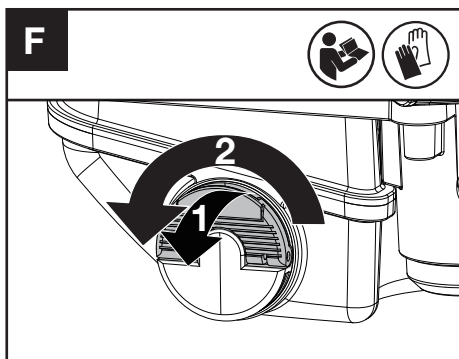
1. Coloque la sierra de pértiga en una superficie adecuada con el tapón de llenado de aceite hacia arriba.
2. Limpie el área alrededor del tapón de llenado de aceite con un paño y desenrosque el tapón



grándolo en sentido contrario a las agujas del reloj.

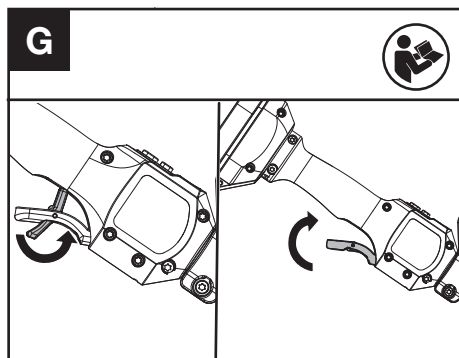
3. Agregue aceite para barra y cadena hasta que el tanque esté casi completamente lleno.
4. Evite que entre suciedad o escombros en el tanque de aceite, vuelva a colocar el tapón de llenado de aceite y ajústelo girándolo en sentido horario hasta que esté apretada con la mano.

**!** Es importante utilizar lubricante para barra y cadena (no aceite automotriz) formulado para funcionar en un amplio rango de temperaturas sin dilución requerida. Esto se puede encontrar en el lugar donde adquirió esta sierra o en su ferretería local. No utilice aceites sucios, usados o de otra manera contaminados, ya que esto puede causar daños en la barra o la cadena. El uso de lubricantes para barra y cadena no aprobados anulará la garantía. Mantenga el aceite de la barra fuera del alcance de los niños. En caso de ingestión, llame inmediatamente a un médico. Almacene lejos del calor o de llamas abiertas.



## FUNCIONAMIENTO

### Arranque de la sierra de pértiga



1. Empuje primero hacia adelante la palanca de

palanca de bloqueo de seguridad, luego apriete y mantenga presionado el gatillo del acelerador para iniciar la máquina.

**NOTA:** Puede encontrar más detalles en el manual de la cabeza de potencia.

## CORTAR

**!** **IMPORTANTE:** Compruebe periódicamente el tanque de aceite. Compruebe la tensión de la cadena sustituida recientemente cada vez que cambie el paquete de baterías.

- (1) Instalación del paquete de baterías en la máquina.
- (2) No permita que la cadena entre en contacto con el suelo durante el funcionamiento, ya que esto desafilará la cadena.
- (3) Use ambas manos para agarrar la sierra.
- (4) Asegúrese de que su postura sea firme. Mantenga los pies separados a la anchura de los hombros. Distribuya su peso uniformemente en ambos pies.
- (5) Cuando esté listo para hacer un corte, siga los procedimientos de inicio y selección de velocidad mencionados anteriormente. Esto encenderá la sierra. Al soltar el gatillo, la sierra se apagará. Asegúrese de que la sierra esté funcionando a toda velocidad antes de iniciar un corte.
- (6) Al comenzar un corte, coloque lentamente la cadena en movimiento contra la madera. La madera debe estar lo más cerca posible de la cabeza de corte. Sujete la sierra firmemente en su lugar para evitar posibles rebotes o deslizamientos (movimiento lateral) de la sierra.
- (7) Guíe la sierra aplicando una presión ligera y no aplique fuerza excesiva a la sierra, permitiendo que esta realice su trabajo. El motor se sobrecargará y puede quemarse. Realizará el trabajo de manera más eficiente y segura a la velocidad para la que fue diseñada.
- (8) Retire la sierra de un corte con la sierra funcionando a toda velocidad. Detenga la sierra. Asegúrese de que la cadena se haya detenido antes de soltar la sierra.
- (9) Practique en troncos de desecho en un área de trabajo segura hasta que se sienta cómodo, utilizando un movimiento fluido y una velocidad de corte constante.

## DISPOSITIVOS DE SEGURIDAD CONTRA RETROCESOS EN ESTA SIERRA

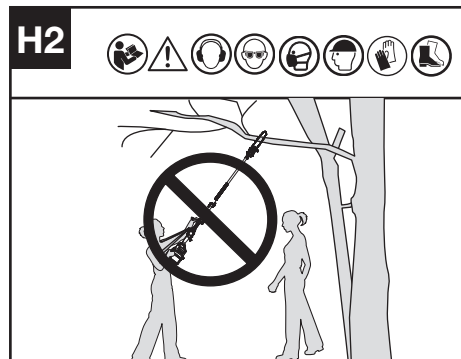
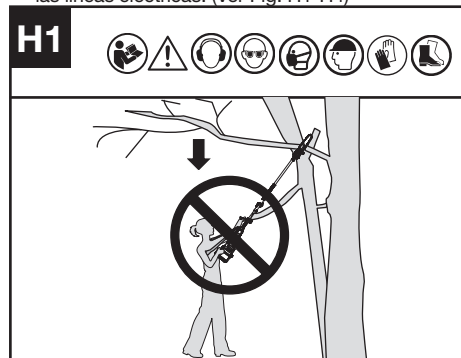
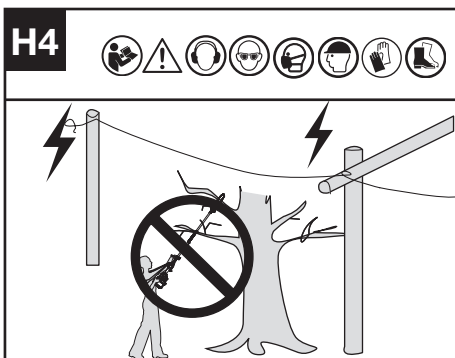
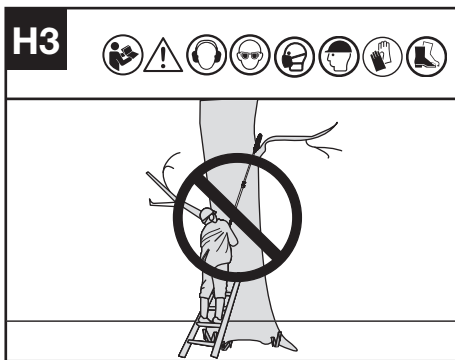
Esta motosierra de pértiga cuenta con una cadena de sierra de bajo retroceso y una espada de guía de retroceso reducido. Ambos elementos disminuyen la probabilidad de retrocesos. Sin embargo, aún es posible que ocurran retrocesos con esta motosierra de pértiga. Los siguientes pasos reducirán el riesgo de retrocesos.

- Use ambas manos para agarrar la sierra mientras está en funcionamiento. Agarre firme.
- Mantenga todos los elementos de seguridad en su lugar en la sierra. Asegúrese de que funcionen correctamente.
- Mantenga una posición sólida y equilibrio en todo momento.

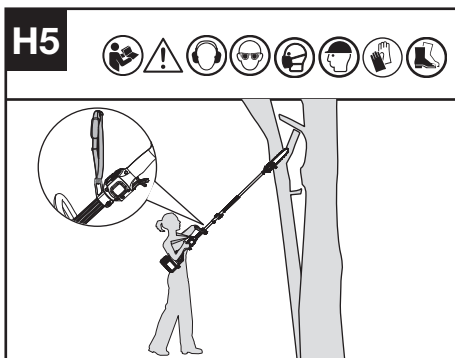
- Párese ligeramente al lado izquierdo de la sierra. Esto evita que su cuerpo esté en línea directa con la cadena.
- No deje que la punta de la barra de guía toque nada cuando la cadena esté en movimiento.
- No entierre la punta de la barra de guía ni intente hacer cortes por inmersión (perforación en madera usando la punta de la barra de guía).
- Esté atento a movimientos de la madera u otras fuerzas que puedan pellizcar la cadena.
- Tenga extrema precaución al volver a ingresar a un corte anterior.
- Utilice solo la cadena y la barra de guía de bajo retroceso suministradas con esta sierra de pértiga o las recomendadas.
- Nunca use una cadena desafilada o floja. Mantenga la cadena afilada con la tensión adecuada.

### CORTE DE RAMAS ALTAS

1. Instale el paquete de baterías en la máquina.
2. Antes de cortar una rama alta, preste especial atención a la trayectoria probable de la rama que caerá. **ADVERTENCIA:** No se coloque directamente debajo de una rama que se esté cortando. Mantenga a los transeúntes a una distancia segura. No se pare en una escalera u otro tipo de soporte inestable mientras usa la herramienta. No use la herramienta cerca de cables, energía eléctrica o líneas telefónicas. Manténgase a 10 pies (3 m) de distancia de todas las líneas eléctricas. (Ver Fig. H1-H4)



3. Use ambas manos para sostener la sierra de pértiga y cortar ramas.



### PODAR UN ÁRBOL

**ADVERTENCIA:** Evite los golpes de retroceso, ya que pueden provocar lesiones graves o incluso mortales.

Para aprender a evitar los golpes de retroceso, consulte **Golpes de retroceso**.

**ADVERTENCIA:** No opere la motosierra con pértiga desde

- Desde un árbol
- Desde una escalera o cualquier otra superficie inestable



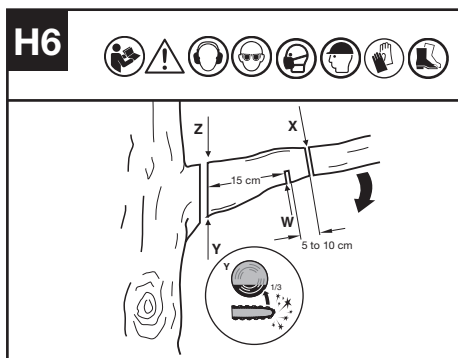
- Desde una posición inestable Puede perder el control de la motosierra con pértiga, causando lesiones graves.

**PRECAUCIÓN: Si las condiciones a las que se enfrenta exceden su nivel de habilidad, solicite ayuda a un profesional.**

El proceso de poda consiste en cortar las ramas de un árbol vivo. Asegúrese de que su equilibrio es firme. Mantenga los pies separados a la anchura de los hombros. Divida el peso uniformemente en ambos pies.

Para podar un árbol, siga estas instrucciones:

1. Haz el primer corte a unas pulgadas (c) del tronco del árbol en el lado inferior de la rama. Utiliza la parte superior de la barra guía para hacer este corte. Corta aproximadamente 1/3 del diámetro de la rama (Ver Fig. H6).



2. Mueve unas pulgadas más arriba (30% de c) en la rama. Haz el segundo corte desde arriba de la rama. Continúa cortando hasta que la rama se desprenda.
3. Haz el tercer corte lo más cerca posible del tronco del árbol, cortando completamente el tocón restante. Use la parte inferior de la espada para hacer este corte.

### Para las herramientas a batería

El rango de temperatura ambiente recomendado para la descarga es de -20 °C~45 °C.

El rango de temperatura ambiente recomendado para el sistema de carga durante el proceso de carga es de -5 °C~45 °C.

## TRANSPORTE

### Transporte de la sierra de pértiga

1. Apaga la motosierra de pértiga y retira la batería.
2. Al transportar la motosierra con pértiga a mano, sujete el mango de la motosierra asegurándose de que la máquina esté paralela al suelo y la barra esté orientada hacia atrás.
3. Para transportar la motosierra con pértiga en un vehículo, asegúrela y posicíonela para evitar movimientos o daños.

## MANTENIMIENTO DE LA SIERRA

Siga las instrucciones de mantenimiento en este manual. La limpieza y el mantenimiento adecuados de la sierra, la cadena y la barra guía pueden reducir las posibilidades de desgaste. Inspeccione y mantenga la sierra después de cada uso. Esto aumentará la vida útil de su sierra. Si la sierra se moja bajo la lluvia durante el funcionamiento, la máquina y la batería deben secarse antes de almacenarlas o cargarlas.

## MANTENIMIENTO Y ALMACENAMIENTO DE LA SIERRA DE PÉRTIGA

1. **Retire el paquete de baterías**
  - Cuando no esté en uso
  - Antes de moverlo de un lugar a otro
  - Antes de darle mantenimiento
  - Antes de cambiar accesorios o aditamentos, como cadena y barra de sierra
2. **Inspeccione la sierra de pértiga antes y después de cada uso.** Revise la sierra de cerca si la protección u otra parte está dañada. Verifique si hay algún daño que pueda afectar la seguridad u operación del operador. Revise la alineación o la adherencia de las piezas móviles. Verifique si hay piezas rotas o dañadas. No use la sierra de pértiga si el daño afecta la seguridad u operación. Haga reparar el daño en un centro de servicio autorizado.
3. **Mantenga la sierra de pértiga con cuidado:**
  - Mantenga la cadena afilada, limpia y lubricada para un rendimiento mejor y más seguro.
  - Siga los pasos descritos en este manual para afilar la cadena.
  - Mantenga las empuñaduras secas, limpias y libres de aceite y grasa.
  - Mantenga todos los tornillos y tuercas apretados.
4. **Cuando realice el mantenimiento, utilice solo piezas de repuesto idénticas.**
5. **Cuando no esté en uso, almacene siempre la sierra de pértiga**
  - En un lugar alto o cerrado, fuera del alcance de los niños
  - En un lugar seco
  - Con la funda protectora en su posición.

### MANTENIMIENTO DE LA BARRA

Para maximizar el período de vida útil de la barra, es recomendable realizar el siguiente mantenimiento.

Los rieles de la barra que transportan la cadena deben limpiarse antes de guardar la herramienta o si la barra o la cadena están sucias.

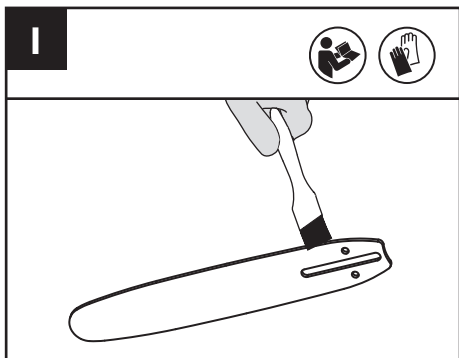
Los rieles se deben limpiar cada vez que quite la cadena.

De vez en cuando, puede ser necesario desbarbar ocasionalmente los rieles de la barra con una lima

plana.

## PARA LIMPIAR LOS RIELES DE LA BARRA

1. Retire la cubierta de la cadena, barra y cadena. (Véase el apartado MONTAJE)
2. Mediante una carda, un destornillador o herramienta adecuada similar, limpie los residuos de los rieles de la barra. (Ver Fig. I)
3. Asegúrese de limpiar los conductos de aceite completamente.



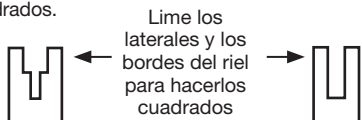
## CONDICIONES QUE REQUIEREN UN MANTENIMIENTO DE LA CADENA Y DE LA ESPADA:

- La sierra corta hacia un lado o en un ángulo.
- La sierra tiene que ser forzado a través del corte.
- Suministro insuficiente de aceite a la barra y la cadena.

Compruebe el estado de la barra directriz cada vez que la cadena se afila. Una barra directriz desgastada dañará la cadena y dificultará el corte.

Después de cada uso, con la unidad desconectada de la fuente de alimentación, limpie todo el serrín de la barra directriz y del orificio del piñón.

Cuando la parte superior del riel sea irregular, utilice una lima plana para restaurar los laterales y bordes cuadrados.



Ranura desgastada

Ranura correcta

Cambie la barra directriz cuando la ranura esté desgastada, la barra directriz esté doblada o agrietada o cuando los rieles se sobrecalienten o presenten rebabas. Si es necesario reemplazarlo, use solo la barra guía especificada para su serrucho en la lista de piezas de repuesto o en la pegatina ubicada en el serrucho de pértiga.

## REEMPLAZO DE LA BARRA Y CADENA

Sustituya la cadena cuando la parte cortante esté

demasiado gastada para afilarla o cuando se rompa la cadena. Utilice sólo la cadena de repuesto recomendada en este manual.

Examine la espada antes de afilar la cadena. Una espada gastada o dañada resultará peligrosa. Una espada gastada o dañada dañará la cadena. Asimismo, el corte resultará más difícil.

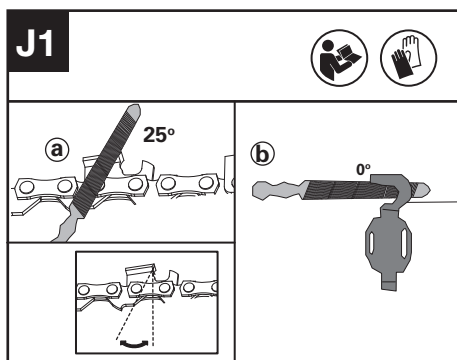
## AFILADO DE LA CADENA DE SIERRA

**ADVERTENCIA:** Extraiga la batería de la motosierra antes de realizar tareas de servicio. Pueden producirse severas lesiones o la muerte como resultado de descarga eléctrica o por contacto del cuerpo con la cadena en movimiento.

Los bordes de corte de la cadena son sumamente filosos. Utilice guantes de protección cuando manipule la cadena.

Mantenga las herramientas de corte limpias y afiladas. Su sierra cortará más rápidamente y de forma más segura. Una cadena mal afilada causará desgaste en el piñón, la espada, la cadena y el motor. Si se ve obligado a introducir la cadena por la fuerza en la madera y el corte sólo produce aserrín y escasos fragmentos grandes, la cadena está mal afilada.

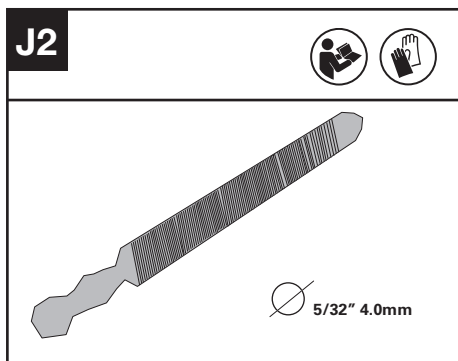
Antes de afilarla, preste atención a los pasos siguientes: (Ver Fig. J1)



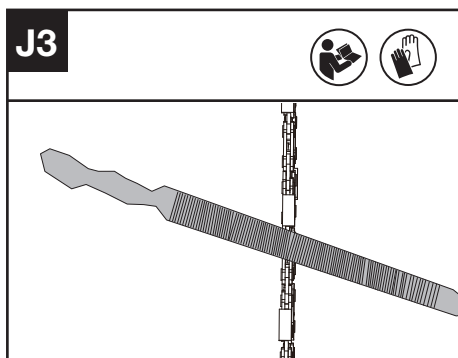
a:Ángulo de limadura; b:posición de la lima.

## Como afilar las cuchillas

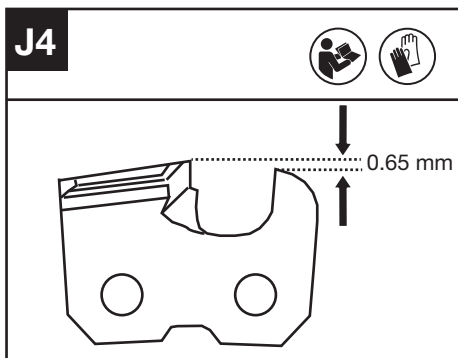
1. Prepare una lima redonda para afilar la cuchilla. (Ver Fig. J2). Nota: Sujete firmemente la barra guía en un tornillo de banco antes de afilar la cadena. Asegúrese de que la cadena no se «pellizque» y pueda moverse libremente en la barra guía. Compruebe que la cadena está correctamente tensada. (Ver la sección «Tensión de la cadena»)



2. Afíle las cuchillas con la lima desde el lado interior de los dientes de corte hacia el exterior de la cadena. (Ver Fig. J3)



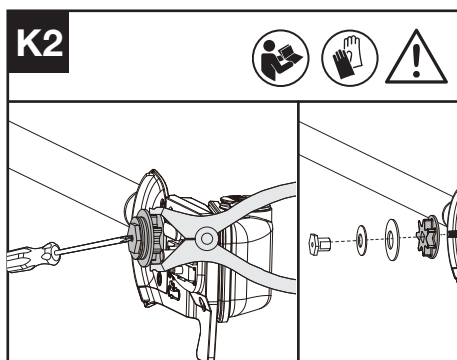
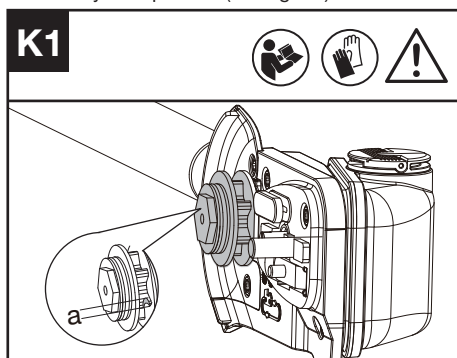
3. Lime todas las cuchillas de un lado de la barra guía.  
 4. Dé la vuelta a la motosierra y lime todas las cuchillas del lado opuesto.  
 5. Asegúrese de que todos los dientes de corte tienen la misma longitud. Para garantizar un corte eficiente, seguro y uniforme, lime la altura del calibrador de profundidad a 0,65 mm. Asegúrese de que el borde delantero del calibrador de profundidad esté redondeado. (Ver Fig. J4)



## INSPECCIÓN Y MANTENIMIENTO DEL PIÑÓN DE CADENA

**!** **ADVERTENCIA:** Antes de realizar la inspección, es imprescindible apagar la sierra de pértiga y quitar la batería.

1. Retire la cubierta del piñón de cadena, la cadena y la barra guía.
2. Verifique si las marcas de desgaste son más profundas que  $a = 0,5$  mm, como se muestra en la Figura S1. Si es así, el piñón de cadena debe reemplazarse (Ver Fig. K1).
3. Al reemplazar el piñón de cadena, sujete el piñón con alicates y use un destornillador para aflojar la tuerca y reemplazarla (Ver Fig. K2).



## LIMPIEZA

1. Apague la sierra de pértiga y retire la batería.
2. No use detergentes o disolventes agresivos. Limpie la máquina después de su uso con un paño húmedo sumergido en detergente suave.
3. Mantenga la conexión de la batería libre de suciedad y restos, y límpiela con un cepillo o paño suave y seco.
4. No rocíe agua sobre el motor ni los componentes eléctricos.

5. No utilice una hidrolimpiadora para lavar la máquina.

## ALMACENAMIENTO

1. Retire el paquete de batería de la sierra de pértiga antes de almacenarla.
2. Guarde la sierra de pértiga y la batería en un lugar seco y seguro, fuera del alcance de niños y personas no autorizadas.
3. Si la máquina y la batería se mojan en la lluvia durante el funcionamiento, deben secarse antes de su almacenamiento o carga. Retire la batería y vuelva a insertarla si no se puede encender la máquina.

## INVESTIGACIÓN DE AVERÍAS

En la siguiente tabla se indican los síntomas, posibles causas y soluciones para ayudarle en el caso de que su herramienta eléctrica no funcione correctamente. Si ello no le permite identificar o subsanar el fallo diríjase a su taller de servicio habitual.



**ATENCIÓN:** Antes de tratar de localizar el fallo desconecte la herramienta eléctrica y retire el acumulador.

Síntomas	Posible causa	Solución
La sierra de barra no se puede operar	Batería agotada	Cargue la batería.
ES Rod vio operación intermitente	Sobrecalentamiento	Coloque la máquina en un lugar fresco y bien ventilado y deje que se enfríe.
	Se ejerce demasiada presión al cortar.	Ejerza menos presión al cortar.
	Conexión suelta.	Acudir a un taller especializado.
	Contacto falso interno.	
	Gatillo de encendido/apagado defectuoso.	
Cadena de sierra sin lubricar.	No hay aceite en el depósito.	Rellenar con aceite.
	Respiradero en el tapón de llenado de aceite obstruido.	Limpiar el tapón.
	Canal de salida de aceite obturado.	Desatascar el canal de salida de aceite.
Cadena o carril guía calientes.	No hay aceite en el depósito.	Rellenar con aceite.
	Respiradero en el tapón de llenado de aceite obstruido.	Limpiar el tapón.
	Canal de salida de aceite obturado.	Desatascar el canal de salida de aceite.
	Tensión de la cadena excesiva.	Ajustar la tensión de la cadena.
	Cadena mellada.	Reafilarse la cadena o sustituirla.
Sierra extrema, vibración, la sierra no es correcta	La tensión de la cadena es muy baja.	Ajustar la tensión de la cadena.
	Cadena mellada.	Reafilarse la cadena o sustituirla.
	Cadena desgastada.	Sustituir la cadena.
	El sentido del filo de los dientes de sierra es contrario al sentido de marcha.	Darle la vuelta a la cadena de sierra para que el filo de los dientes quede en sentido de marcha.


# CARACTERÍSTICAS TÉCNICAS

	KAC361
Longitud de la espada	25 cm
Velocidad de la cadena	Alta: 17 m/s Baja: 13 m/s
Capacidad del depósito de aceite	160 ml
Paso de la cadena	3/8" LP
Calibre de cadena	1.1 mm
Grado de protección	IPX4
Peso de la máquina	1.8 kg

## COMBINACIONES DE ACCESORIOS DE CORTE

Accesorio de corte
KAC333-10"/25cm 0.043"/1.1mm 3/8 LP barra
KAC302-10"/25cm 0.043"/1.1mm 3/8 LP cadena
KAC335-12"/30cm 0.043"/1.1mm 3/8 LP barra
KAC304-12"/30cm 0.043"/1.1mm 3/8 LP cadena

## INFORMACIÓN CON EJE DE EXTENSIÓN (KAC360) INFORMACIÓN SOBRE EL RUIDO


Nivel de presión acústica ponderada	$L_{pA} = 79 \text{ dB(A)}$ $K_{pA} = 3.0 \text{ dB(A)}$
Nivel de potencia acústica ponderada	$L_{wA} = 94,1 \text{ dB(A)}$ $K_{wA} = 1,1 \text{ dB(A)}$
Utilice protección auditiva.	

## INFORMACIÓN SOBRE LAS VIBRACIONES

Los valores totales de vibración se determinan según la norma EN ISO 11680-1.

Valor de emisión de vibración	$a_n = 1,3 \text{ m/s}^2$
	Incertidumbre $K = 1,5 \text{ m/s}^2$

## INFORMACIÓN SIN EJE DE EXTENSIÓN INFORMACIÓN SOBRE EL RUIDO


Nivel de presión acústica ponderada	$L_{pA} = 82 \text{ dB(A)}$ $K_{pA} = 3.0 \text{ dB(A)}$
Nivel de potencia acústica ponderada	$L_{wA} = 93 \text{ dB(A)}$ $K_{wA} = 1,5 \text{ dB(A)}$
Utilice protección auditiva.	

## INFORMACIÓN SOBRE LAS VIBRACIONES


Los valores totales de vibración se determinan según la norma EN ISO 11680-1.

Valor de emisión de vibración	$a_n = 1,87 \text{ m/s}^2$
	Incertidumbre $K = 1,5 \text{ m/s}^2$

El valor total de vibración declarado se puede utilizar para comparar una herramienta con otra y también en una evaluación preliminar de exposición.

 **ADVERTENCIA:** El valor de emisión de vibraciones durante el uso de la herramienta podría ser distinto al valor declarado dependiendo de la forma en que se use la herramienta según las condiciones siguientes, y otras variaciones sobre el uso de la herramienta:  
El modo de uso de la herramienta y los materiales que se cortan o perforan.  
El estado general y las condiciones de mantenimiento de la herramienta  
La utilización del accesorio correcto para la herramienta y su correcto mantenimiento afilado y en buenas condiciones.  
La firme sujeción de las empuñaduras y la utilización de accesorios antivibración.  
El uso de la herramienta conforme a su diseño y estas instrucciones.

**Esta herramienta podría causar síndrome de vibración mano-brazo si no se utiliza correctamente.**

 **ADVERTENCIA:** Para conseguir una mayor precisión, debe tenerse en cuenta una estimación del nivel de exposición en condiciones reales de todas las partes del ciclo de uso, como

ES


los tiempos durante los que la herramienta está apagada o el tiempo que está funcionando al ralentí sin realizar ningún trabajo. Esto podría reducir notablemente el nivel de exposición durante el periodo completo de trabajo. Cómo minimizar el riesgo de exposición a la vibración.

Utilice SIEMPRE cinceles, brocas y cuchillas afiladas.

Mantenga esta herramienta de acuerdo con estas instrucciones y bien lubricada (si es necesario). Si la herramienta se utiliza regularmente, invierta en accesorios antivibración.

Planifique su programa de trabajo para distribuir el uso de la herramienta a lo largo de varios días.

## PROTECCIÓN AMBIENTAL

 Los residuos de aparatos eléctricos y electrónicos no deben depositarse en la basura doméstica. Se deben reciclar en las instalaciones especializadas. Consulte a las autoridades locales o el establecimiento para saber cómo reciclar estos productos.

## DECLARACIÓN DE CONFORMIDAD

LOS QUE RECIBEN,  
Positec Germany GmbH  
Postfach 680194, 50704 Cologne, Germany

En nombre de Positec declaran que el producto

**Descripción:** Sierra de pértiga a batería  
**Modelo:** KAC361 (361 - designación de maquinaria, representativa de la sierra de pértiga)  
**Funciones:** Corte de ramas altas

Cumple con las siguientes Directivas:  
**2006/42/EC, 2014/30/EU, 2011/65/EU & (EU)2015/863, 2000/14/EC enmendado por y 2005/88/EC**

Notificación realizada por:  
Nombre: Intertek Deutschland GmbH (cuerpo notificado 0905)  
Dirección: Stangenstraße 1, 70771 LEINFELDEN-ECHTERDINGEN  
Nº de certificado: 24SHW0160

### Información con eje de extensión (KAC360)

2000/14/EC enmendado por 2005/88/EC:  
- Procedimiento de evaluación de la conformidad de acuerdo con Annex V  
- Nivel de presión acústica 94 dB(A)  
- Nivel de intensidad acústica 96 dB(A)

### Información sin eje de extensión

2000/14/EC enmendado por 2005/88/EC:  
- Procedimiento de evaluación de la conformidad de

acuerdo con Annex V  
- Nivel de presión acústica 93 dB(A)  
- Nivel de intensidad acústica 95 dB(A)

Cumple las normativas:  
**EN 62841-1, EN ISO 11680-1, EN ISO 3744, EN IEC 55014-1, EN IEC 55014-2, EN IEC 63000**

La persona autorizada para componer el archivo técnico,

**Nombre** Marcel Filz  
**Dirección** Positec Germany GmbH  
**Postfach** 680194, 50704 Cologne, Germany



2024/01/26  
Allen Ding  
Deputy Chief Engineer, Testing & Certification  
Positec Technology (China) Co., Ltd.  
18, Dongwang Road, Suzhou Industrial  
Park, Jiangsu 215123, P. R. China

# NDICE

Introdução.....	87
Lista de componentes.....	88
Segurança do produto.....	89
Instruções de Funcionamento.....	92
Lubrificação da corrente.....	94
Operação.....	95
Transporte.....	97
Manutenção da serra.....	97
Limpeza.....	100
Armazenamento.....	100
Localização de erros.....	100
Dados Técnicos.....	101
Declaração de conformidade.....	103

PT

## INTRODUÇÃO

Estimado Cliente,

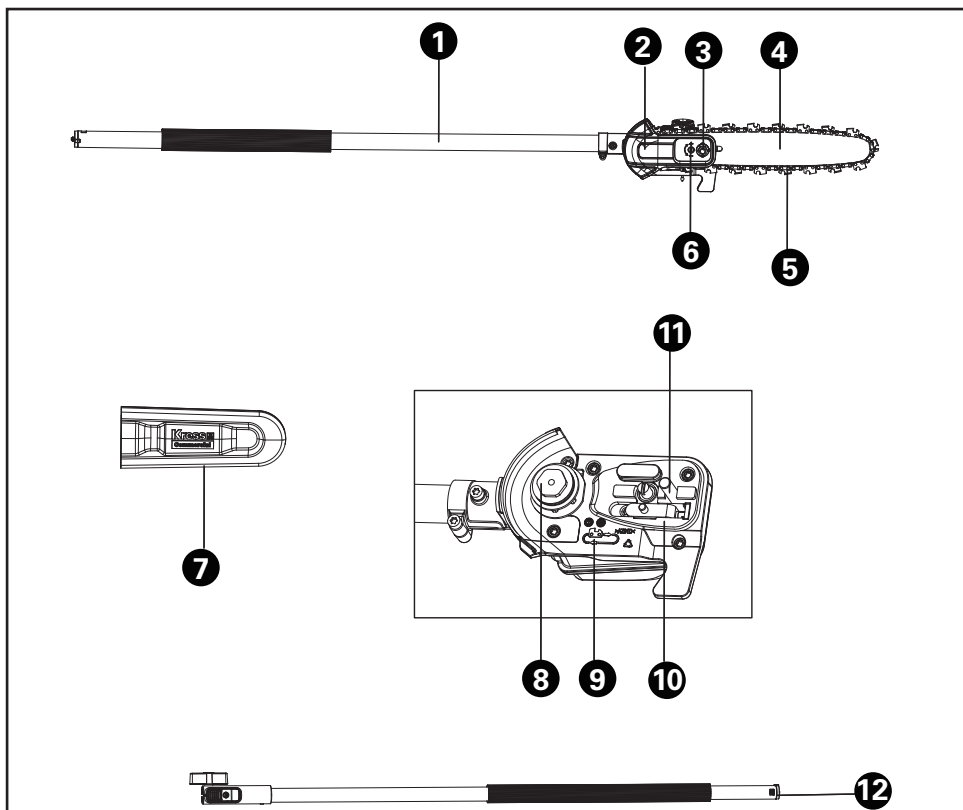
Obrigado por adquirir este produto Kress Commercial. Estamos empenhados em desenvolver produtos de alta qualidade que satisfaçam os seus requisitos comerciais de jardinagem.

A marca Kress é sinónimo de um serviço de qualidade superior. Ao longo dos anos de vida útil dos produtos, se tiver dúvidas ou preocupações relativamente ao produto, contacte o revendedor ou a Equipa de Atendimento ao Cliente para obter assistência.

Estamos confiantes de que irá gostar de trabalhar com o seu produto Kress durante muitos anos.

## UTILIZAÇÃO PREVISTA

Em conjunto com a KAC104 - Cabeça motorizada, esta serra de haste telescópica foi concebida para podar e aparar ramos fora do alcance dos braços. Todos os cortes devem ser feitos no sentido transversal do grão da madeira. Este produto destina-se unicamente a cortar madeira.




## LISTA DE COMPONENTES

- |     |                                |
|-----|--------------------------------|
| 1.  | EIXO                           |
| 2.  | TAMPA DA TRANSMISSÃO           |
| 3.  | PORCA SEXTAVADA                |
| 4.  | BARRA-GUIA                     |
| 5.  | CORRENTE                       |
| 6.  | PARAFUSO DE TENSÃO DA CORRENTE |
| 7.  | BAINHA DE PROTEÇÃO             |
| 8.  | RODA DENTADA DA TRANSMISSÃO    |
| 9.  | SÍMBOLO DE DIREÇÃO DA CORRENTE |
| 10. | PLACA DE TRAVÃO DA BARRA       |
| 11. | PERNO DE LOCALIZAÇÃO DA BARRA  |
| 12. | EIXO DE EXTENSÃO*              |

\* Acessórios ilustrados ou descritos não estão totalmente abrangidos no fornecimento.



# MANUAL ORIGINAL SEGURANÇA DO PRODUTO AVISOS GERAIS DE SEGURANÇA DE FERRAMENTAS ELÉCTRICAS

 **ATENÇÃO!** Leia todos os avisos de segurança, instruções, ilustrações e especificações fornecidos com esta ferramenta eléctrica. Caso não siga todas as instruções listadas de seguida poderá resultar a choque eléctrico, incêndio e/ou lesões graves.

**Guarde estas instruções para referência futura.** Os termos “ferramenta eléctrica” utilizados em todos os avisos constantes destas instruções referem-se à sua ferramenta eléctrica accionada por bateria (sem cabo de alimentação).

## 1. LOCAL DE TRABALHO

- a) **Mantenha o local de trabalho limpo e bem arrumado.** Áreas com pouca iluminação e desordenadas podem provocar acidentes.
- b) **Não utilize o aparelho em locais onde existam líquidos, gases ou poeiras inflamáveis e onde exista o risco de explosão.** As ferramentas eléctricas produzem faíscas que podem inflamar poeiras ou gases.
- c) **Mantenha as pessoas e particularmente as crianças afastadas da ferramenta eléctrica durante o seu funcionamento.** Qualquer distração pode fazê-lo perder o controlo do berbequim.

## 2. SEGURANÇA ELÉCTRICA

- a) **A ficha do berbequim deve encaixar bem na tomada de alimentação. Nunca modifique fichas, seja de que maneira for. Não utilize nenhuma ficha de adaptação com ferramentas eléctricas que tenham ligação à terra.** Fichas não modificadas e tomadas de corrente adequadas reduzem o risco de choque eléctrico
- b) **Evite o contacto do corpo com superfícies ligadas à terra como tubos, aquecedores, fogões e frigoríficos.** Existe um aumento do risco de choque eléctrico se o seu corpo estiver em contacto com a terra ou a massa.
- c) **Não opere a máquina em condições de chuva ou humidade. Esta situação pode aumentar o risco de choque eléctrico.** Recomenda-se que uma vez molhada durante o funcionamento com chuva, a máquina e a bateria devem ser secas antes de serem armazenadas ou carregadas. Remover a bateria e voltar a inseri-la se a máquina não ligar. Mantenha as ligações da bateria livres de sujidade e resíduos e limpe-as com uma escova ou um pano macio e seco.
- d) **Não maltrate o cabo de alimentação. Nunca utilize o cabo para transportar, puxar ou**

**desligar o aparelho da tomada de corrente.** Mantenha o cabo afastado de fontes de calor, óleos, arestas afiadas ou peças em movimento. Cabos danificados ou enredados aumentam o risco de choque eléctrico.

- e) **Quando trabalhar com uma ferramenta eléctrica ao ar livre, use um cabo de extensão adequado para utilização no exterior.** A utilização de um cabo adequado para uso exterior reduz o risco de choque eléctrico.
- f) **Se não puder evitar a utilização de uma ferramenta eléctrica num local húmido, utilize uma fonte de alimentação protegida contra corrente residual.** A utilização de um dispositivo com protecção contra corrente residual reduz o risco de choque eléctrico.

## 3. SEGURANÇA DE PESSOAS

- a) **Esteja atento, observe o que está a fazer e seja prudente sempre que trabalhar com uma ferramenta eléctrica. Não utilize nunca uma ferramenta eléctrica quando estiver cansado ou sob a influência de drogas, álcool ou medicamentos.** Um momento de desatenção quando se utiliza uma ferramenta eléctrica pode causar lesões graves.
- b) **Utilize equipamentos de segurança. Use sempre óculos de protecção.** Equipamentos de segurança, tais como máscaras protectoras, sapatos de sola antiderrapante, capacetes ou protecções auriculares devidamente utilizados reduzem o risco de lesões.
- c) **Evite o arranque acidental da ferramenta. Certifique-se de que o computador de alimentação está desligado antes de ligar a ferramenta à fonte de alimentação e/ou à bateria, antes de pegar nela ou antes de a transportar.** Se mantiver o dedo no interruptor ou accionar o aparelho enquanto este estiver ligado podem ocorrer acidentes.
- d) **Remova quaisquer chaves de ajuste ou de porcas antes de ligar a ferramenta eléctrica.** Chaves de porcas ou de ajuste fixadas a peças móveis do berbequim podem causar lesões.
- e) **Não exceda as suas próprias capacidades.** Mantenha sempre o corpo em posição firme e de equilíbrio, o que lhe permite controlar melhor a ferramenta eléctrica em situações imprevistas.
- f) **Use roupa apropriada. Não use vestuário solto ou artigos de joalheria. Mantenha o cabelo, vestuário e luvas afastados de peças em movimento.** Roupas soltas, artigos de joalheria ou cabelos compridos podem ser agarrados por peças em movimento.
- g) **Se forem fornecidos dispositivos para a montagem de unidades de extracção ou recolha de resíduos, Assegure-se de que são montados e utilizados adequadamente.** A utilização destes dispositivos pode reduzir os perigos relacionados com a presença de resíduos.
- h) **Não permita que a familiaridade obtida do uso frequente de ferramentas o tornem complacente o o faça ignorar os princípios**

**de segurança da ferramenta. Uma ação descuidada pode causar lesões graves numa fração de segundo.**

#### **4. UTILIZAÇÃO E MANUTENÇÃO DA FERRAMENTA ELÉCTRICA**

- a) **Não force a ferramenta. Utilize a ferramenta eléctrica apropriada para cada aplicação.** A utilização da ferramenta eléctrica apropriada executa o trabalho de forma melhor e mais segura, à velocidade para a qual foi concebida.
- b) **Não utilize esta ferramenta se o interruptor estiver deficiente, não ligando ou desligando.** Qualquer ferramenta eléctrica que não possa ser controlada pelo interruptor é perigosa e deve ser reparada.
- c) **Desligue a ficha da fonte de alimentação e/ou remova a bateria da ferramenta antes de proceder a quaisquer ajustes, antes de mudar de acessórios ou antes de guardar a ferramenta.** Estas medidas de segurança preventivas reduzem o risco de activação accidental da ferramenta.
- d) **Quando não estiver a usar a ferramenta eléctrica, guarde-a fora do alcance das crianças e não deixe que esta seja utilizada por pessoas que não a conheçam, nem tenham lido as instruções.** As ferramentas eléctricas são perigosas nas mãos de utilizadores inexperientes.
- e) **Faça a manutenção de ferramentas eléctricas. Verifique quaisquer desalinhamentos, encaixes de peças móveis, quebras e outras condições que possam afectar o funcionamento. Se esta ferramenta estiver avariada, mande-a reparar antes a utilizar.** Muitos acidentes são causados pela manutenção deficiente de ferramentas eléctricas.
- f) **Mantenha as ferramentas de corte limpas e afiadas.** As ferramentas de corte com manutenção adequada e arestas de corte afiadas têm menos probabilidades bloquear e são mais fáceis de controlar.
- g) **Utilize a ferramenta eléctrica, acessórios, brocas, etc. em conformidade com estas instruções e da forma prevista para este tipo específico de ferramenta, tendo em conta as condições presentes e o trabalho a executar.** A utilização de ferramentas eléctricas para aplicações diferentes daquelas a que se destinam pode levar a situações de perigo.
- h) **Mantenha as pegas e as superfícies de aderência secas, limpas e sem óleo e massa lubrificante.** As pegas e superfícies de aderência escorregadias não permitem o manuseamento e controlo seguros da ferramenta em situações inesperadas.
- #### **5. UTILIZAÇÃO E MANUTENÇÃO DE FERRAMENTA ALIMENTADA POR CONJUNTO DE BATERIAS**
- a) **Efectue o recarregamento do conjunto de baterias apenas com o carregador especificado pelo fabricante.** Um carregador

para determinado tipo de conjunto de bateria pode levar ao risco de incêndio se utilizado com outro tipo de conjunto de baterias.

- b) **Utilize ferramentas eléctricas apenas com os tipos de conjuntos de baterias especificamente designados.** A utilização de quaisquer outros tipos de conjuntos de baterias pode levar a riscos de lesão ou incêndio.
- c) **Quando não estiver a utilizar o conjunto de baterias, mantenha-o afastado de objectos metálicos como clipes, moedas, chaves, pregos, parafusos ou outros objectos metálicos de pequena dimensão, que possam fechar o contacto entre os terminais.** O curto-circuito de terminais de bateria pode provocar incêndios ou queimaduras.
- d) **Em condições inadequadas, o electrólito das baterias pode verter. Evite o contacto. Se ocorrer algum contacto accidental, lave com água.** Se o líquido entrar em contacto com os olhos, procure imediatamente aconselhamento médico. O líquido das baterias pode provocar irritações de pele ou queimaduras.
- e) **Não utilize um conjunto de baterias ou ferramenta que esteja danificado ou tenha sido modificado.** As baterias danificadas ou modificadas podem exibir um comportamento imprevisto, resultando em incêndio, explosão ou risco de lesão.
- f) **Não exponha um conjunto de baterias ou ferramenta ao fogo ou temperatura excessiva.** A exposição ao fogo ou temperatura superior a 130 °C pode causar explosão.
- g) **Siga todas as instruções de carregamento e não carregue o conjunto das baterias ou ferramenta fora do intervalo de temperatura especificado nas instruções.** O carregamento indevido ou a temperatura fora do intervalo especificado pode danificar a bateria e aumentar o risco de incêndio.
- #### **6. ASSISTÊNCIA TÉCNICA**
- a) **A sua ferramenta eléctrica só deve ser reparada por um técnico de assistência qualificado e devem ser apenas utilizadas peças de substituição genuínas, mantendo assim a segurança da ferramenta.**
- b) **Nunca faça a manutenção de conjuntos de baterias danificados.** *A manutenção de conjuntos de baterias só deve ser efectuado pelo fabricante ou prestadores de serviço autorizados.*

## **AVISOS DE SEGURANÇA PARA SERRA DE PÓLO**

- 1. Mantenha a serra de pólo a uma distância suficiente das linhas aéreas de energia eléctrica.**
- 2. Esteja ciente do perigo das posições caindo operacionais, bem como do risco de ser atingido por galhos caindo ou galhos que, ao atingirem o**

- solo, se recuperar, o operador pode ser atingido por galhos caindo ou por aqueles que se recuperam após atingir o solo. Remova os galhos nas seções.
3. Para reduzir o risco, manter os espetadores a uma distância segura da máquina durante o seu funcionamento.
  4. Manter os pés firmes e equilibrados durante o funcionamento. Utilizar o arnês fornecido.
  5. Use EPI ao operar, incluindo audição proteção, proteção para os olhos (viseira ou óculos) e proteção para a cabeça e roupas.










## AVISOS DE SEGURANÇA PARA A BATERIA







- a) Não desmonte, abra ou corte as células da bateria.
- b) Não submeta a bateria a curto-circuitos. Não armazena as baterias ao acaso numa caixa ou gaveta onde possam provocar um curto-circuito ou submetidas a curto-circuitos por materiais condutores. Quando não estiver a utilizar a bateria, mantenha-a afastada de outros objectos metálicos, como cliques, moedas, chaves, pregos, parafusos ou outros pequenos objectos de metal, que possam realizar uma ligação de um terminal a outro. Um curto-circuito dos terminais da bateria pode provocar queimaduras ou um incêndio.
- c) Não exponha a bateria ao calor ou a incêndios. Evite o armazenamento à exposição de luz solar directa.
- d) Não exponha a bateria ao choque eléctrico.
- e) Em casos de fugas na bateria, não permita que o líquido entre em contacto com a pele ou olhos. Caso entre em contacto, lave a área afectada com quantidades abundantes de água e procure aconselhamento médico.
- f) Mantenha a bateria limpa e seca.
- g) Limpe os terminais da bateria com um pano limpo e seco em caso de sujidade.
- h) A bateria necessita de ser carregada antes de ser utilizada. Consulte sempre estas instruções e utilize o procedimento de carga correcto.
- i) Não mantenha a bateria a carregar quando não for utilizada.
- j) Após longos períodos de tempos de armazenamento, pode ser necessário carregar e descarregar a bateria diversas vezes para obter o desempenho máximo.
- k) Recarregue apenas com o carregador especificado pela Kress. Não utilize um carregador que não se encontra especificado para a utilização com o equipamento.
- l) Não utilize uma bateria que não se encontra concebida para a utilização com o equipamento.
- m) Mantenha a bateria fora do alcance das

- n) Preserve as informações originais do produto para futura referência.
- o) Retire a bateria do equipamento quando não estiver em utilização.
- p) Elimine-a de forma adequada.
- q) Não misture pilhas de diferente fabrico, capacidade, tamanho ou tipo num dispositivo.
- r) Mantenha a bateria longe de fornos micro-ondas e altas pressões.
- s) Aviso! Não utilize pilhas não recarregáveis.


## GUARDE ESTAS INSTRUÇÕES

## SÍMBOLOS


	Para reduzir o risco de ferimentos o utilizador deve ler o manual de instruções.
	Aviso
	Usar protecção para os ouvidos
	Usar protecção ocular
	Usar máscara contra o pó
	Utilizar capacete
	Usar luvas de protecção
	Utilizar calçado de protecção
	Mantenha uma distância segura das linhas de energia eléctrica

	<p>Bateria de íões de lítio Este produto foi marcado com um símbolo relacionado com a “recolha separada” de todos os conjuntos de baterias e o conjunto de bateria. Será reciclada ou desmontada para reduzir o impacto no meio ambiente. Os conjuntos de baterias podem ser perigosos para o meio ambiente e para a saúde humana, uma vez que contêm substâncias perigosas.</p>
	<p>Não queimar</p>
	<p>As baterias poderão entrar no ciclo hídrico caso sejam descartadas indevidamente, o que pode representar perigo para o ecossistema. Não elimine as baterias usadas como resíduos municipais não separados.</p>
<p>PT</p>	<p>Os equipamentos eléctricos não devem ser depositados com o lixo doméstico. Se existirem instalações adequadas deve reciclá-los. Consulte a sua autoridade local para tratamento de lixos ou fornecedor para obter aconselhamento sobre reciclagem.</p>
	<p>Eliminação ecologicamente responsável. Os aparelhos eléctricos antigos não devem ser eliminados juntamente com os resíduos domésticos, mas devem ser eliminados separadamente. A eliminação no ponto de recolha municipal por pessoas privadas é gratuita. O proprietário de aparelhos antigos é responsável por entregar os aparelhos nesses pontos de recolha ou em pontos de recolha semelhantes. Com este pequeno esforço pessoal, contribui assim para a reciclagem de matérias-primas valiosas e para o tratamento de substâncias tóxicas.</p>
	<p>Desbloquear</p>
	<p>Bloquear</p>

## INSTRUÇÕES DE FUNCIONAMENTO

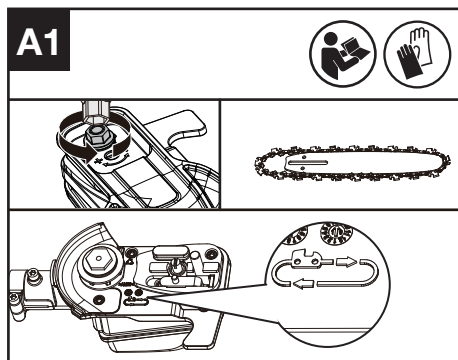
 **NOTA:** Antes de utilizar a ferramenta, leia atentamente o livro de instruções.

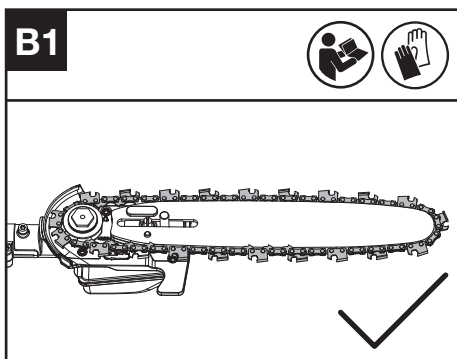
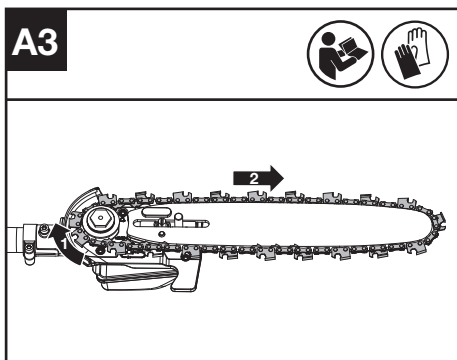
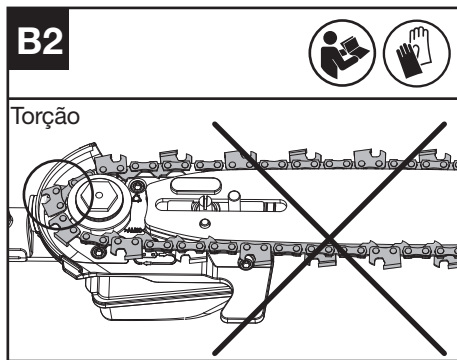
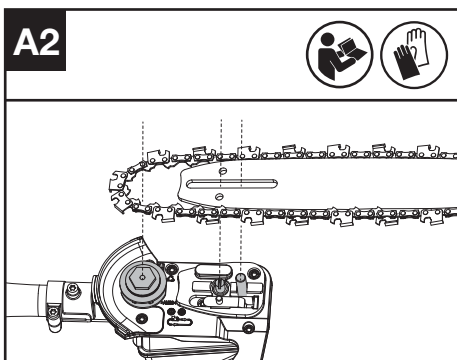
## MONTAGEM

 **Atenção!** Não instalar a bateria antes de ser completamente montada. Durante o manuseio da serra de corrente deverá usar sempre luvas de protecção.

### MONTAGEM DA CORRENTE E DA BARRA-GUIA

1. Desaperte a porca sextavada para retirar a tampa da transmissão. Deslize a corrente para a ranhura à volta da barra-guia. Certifique-se de que a corrente está na direção correta. (Veja a Fig. A1)
2. Encaixe a corrente na roda dentada da transmissão, de modo a que o perno de localização na placa de travão da barra encaixe na ranhura da abertura existente na barra-guia. (Ver a Fig. A2, A3)
3. Certifique-se de que todas as peças estão corretamente assentes. Certifique-se de que os elos de transmissão estão totalmente assentes na roda dentada da transmissão (ver a Fig. B1), evitando uma dobra, como mostra a Fig. B2. Se houver uma dobra, apanhe a corrente na barra-guia mesmo à frente da dobra e puxe-a para fora. **NOTA:** A corrente deve rodar livremente, mas é necessário um certo nível de força para rodar a corrente
4. Coloque a tampa da transmissão e aperte a porca sextavada.





**⚠ ATENÇÃO:** A corrente ainda não está tensionada. Estique a corrente como descrito em “Esticar a corrente”. A corrente precisa de ser inspecionada para garantir que tem a tensão adequada.

**CORRENTE DE TENSÃO (VER A FIG. C, D)**

**NOTA:** As correntes de serra novas assentam na barra quando são utilizadas pela primeira vez. Verifique frequentemente a tensão da corrente aquando da primeira utilização e aperte-a quando a corrente ficar solta à volta da barra-guia.

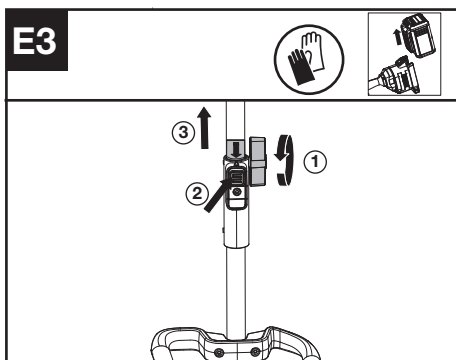
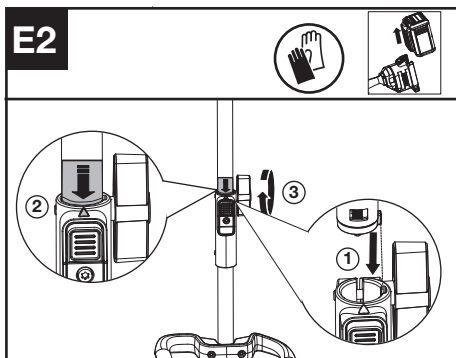
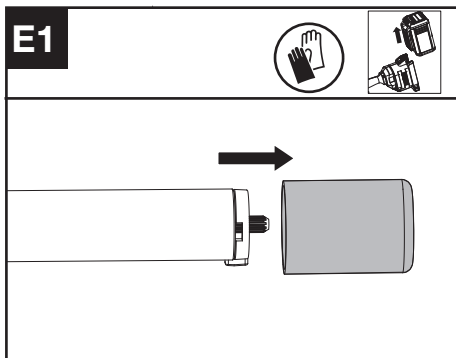
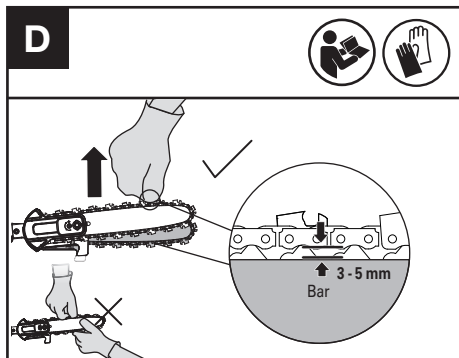
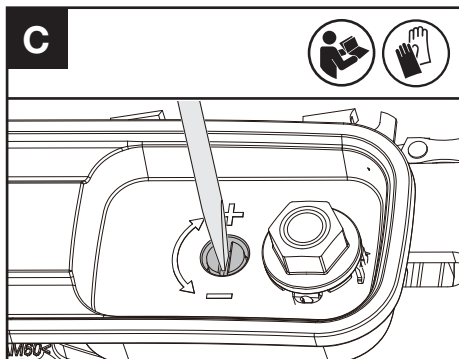
- Retirar o módulo da bateria antes de ajustar a tensão da corrente da serra.
- As arestas de corte da corrente são afiadas. Use luvas de proteção quando manusear a corrente.
- Mantenha sempre uma tensão da corrente adequada. Uma corrente solta poderá saltar para fora da ranhura da barra-guia. Isto poderá ferir o operador e danificar a corrente. Uma corrente solta provoca um desgaste rápido da corrente, da barra e da roda dentada.

1. Coloque a serra de haste telescópica sobre uma superfície plana adequada e desaperte a porca sextavada.
2. Rode o parafuso de tensão da corrente no sentido horário até ficar bem apertado. (Ver a Fig. C)  
**NOTA:** A tensão é aumentada automaticamente quando o parafuso de tensão da corrente é rodado no sentido horário. Em seguida, aperte bem a porca sextavada.
3. Verifique a tensão definida pelo parafuso de tensão da corrente. A tensão correta da corrente é atingida quando é possível levantar a corrente aproximadamente metade da profundidade do elo de ligação, a partir da barra-guia no centro. Isto deve ser feito utilizando uma mão com luva para levantar a corrente contra o peso da máquina. (Ver a Fig. D) Em seguida, apertar completamente a porca sextavada.

**NOTA:** A corrente está corretamente tensionada quando pode ser levantada da barra-guia e o elo de transmissão está dentro da calha da barra-guia.

**NOTA:** A corrente afrouxará durante o corte e perderá a tensão correta. Quando a corrente

se soltar, desaperte a porca sextavada, volte a apertar o parafuso de tensionamento da corrente e, em seguida, volte a apertar a porca sextavada para repor corretamente a tensão da corrente, seguindo os passos 1 a 3 indicados anteriormente.



### Montagem e desmontagem da cabeça motorizada (See Fig. E1, E2, E3)

1. Retire a tampa de proteção da extremidade do eixo do acessório.
2. Para montar, alinhe o ícone do triângulo no botão com a etiqueta da seta com o eixo do acessório.
3. Pressione os eixos até ouvir um "clique". A extremidade da etiqueta da seta deve estar próxima da caixa de ligação do veio. (Nota: Se a serra de vara não puder ser totalmente instalada na cabeça motriz, rodar um pouco a cabeça motriz da serra de vara até ser possível introduzir o veio completamente.)
4. Termine a montagem apertando o botão no sentido dos ponteiros do relógio.
5. Para desmontar, desaperte o botão, rode-o no sentido contrário ao dos ponteiros do relógio e, em seguida, prima o botão de desbloqueio e separe os eixos. Coloque a tampa de proteção no eixo do acessório para garantir que o pó e os detritos não entrem no eixo.

Informações de montagem e desmontagem para o eixo de extensão, consulte as imagens E1, E2 e E3.

## LUBRIFICAÇÃO DA CORRENTE (VEJA FIGURA F)



**IMPORTANTE:** A serra de haste não está cheia de óleo para a barra e a corrente. É essencial encher com óleo para barra e corrente antes de utilizar. Nunca opere a serra de haste telescópica sem óleo na barra e na corrente nem deixe que o depósito fique vazio, pois isso poderá ocasionar danos extensos no produto. **NOTA:** A vida útil da corrente e a capacidade de corte dependem de uma lubrificação eficaz. Por isso, a corrente é lubrificada automaticamente durante o funcionamento.

## ENCHIMENTO DO DEPÓSITO DE ÓLEO:

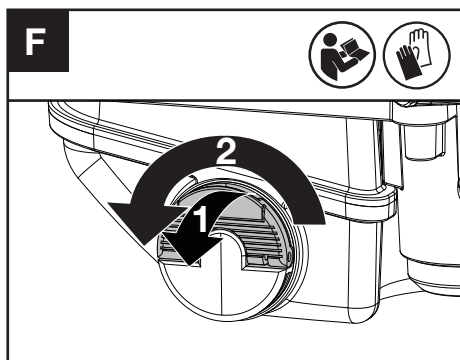


**AVISO:** Remova a bateria antes de encher o depósito de óleo.

1. Coloque a serra de haste telescópica em qualquer superfície adequada com o tampão de enchimento de óleo virado para cima.
2. Limpe a área à volta do tampão de enchimento de óleo com um pano e desaperte o tampão rodando-o no sentido anti-horário.
3. Adicione óleo para barras e correntes até o depósito estar quase completamente cheio.
4. Evite a entrada de sujidade ou detritos no depósito de óleo, volte a colocar a tampa do depósito de óleo e aperte-a, rodando-a no sentido horário com a mão.

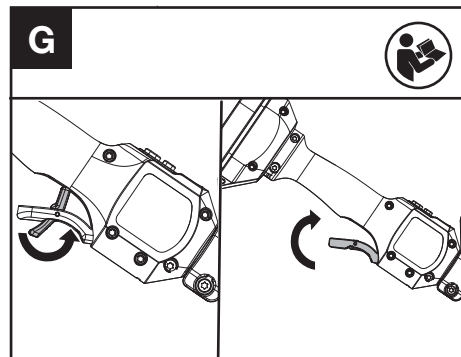


É importante utilizar um lubrificante para barras e correntes (não óleo para automóveis) que esteja formulado para funcionar numa vasta gama de temperaturas sem necessidade de diluição. Este pode ser encontrado no local onde adquiriu esta serra ou na sua loja de ferragens local. Não utilize óleos sujos, usados ou contaminados de qualquer outra forma. Podem ocorrer danos na barra ou na corrente. A utilização de óleo para barras e correntes não aprovado anula a garantia. Mantenha o óleo para barra fora do alcance das crianças. Em caso de ingestão, contacte imediatamente um médico. Guarde-o longe do calor ou de chamas abertas.



## OPERAÇÃO

### Arranque da serra de vara



1. Empurre a alavanca de desativação de segurança para frente primeiro, depois aperte e mantenha pressionado o gatilho de aceleração para iniciar a máquina.

**NOTA:** Mais detalhes podem ser encontrados no manual da cabeça de energia.

### CORTAR



**IMPORTANTE:** Verifique periodicamente o depósito de óleo. Verifique a tensão da corrente recentemente substituída sempre que substituir a bateria.

- (1) Instalação da bateria na máquina.
- (2) Não permita que a corrente entre em contacto com o solo durante o funcionamento, uma vez que isso irá danificar a corrente.
- (3) Use ambas as mãos para segurar a serra.
- (4) Certifique-se de que os seus pés estão firmes. Mantenha uma distância à altura dos pés-ombros. Distribua o seu peso uniformemente pelos dois pés.
- (5) Quando estiver pronto para efetuar um corte, siga os procedimentos de arranque e a seleção de velocidade acima indicados. Isso ligará a serra. A libertação do gatilho desliga a serra. Certifique-se de que a serra está a trabalhar à velocidade máxima antes de iniciar um corte.
- (6) Ao iniciar um corte, coloque lentamente a corrente em movimento contra a madeira. A madeira deve estar o mais próximo possível da cabeça de corte. Segure firmemente a serra para evitar que resalte ou se movimente para os lados.
- (7) Oriente a serra usando uma leve pressão e não use força excessiva na serra deixando-a trabalhar. O motor ficará sobrecarregado e pode queimar. Fará um trabalho melhor e mais seguro com o motor a rodar à velocidade para que foi concebido.
- (8) Retire a serra de um corte com a serra a funcionar a toda a velocidade. Pare a serra. Certifique-se de que a corrente parou antes de largar a serra.

- (9) Pratique em troncos velhos, numa área de trabalho segura, até se sentir confortável, usando um movimento fluido e uma velocidade de corte fixa.

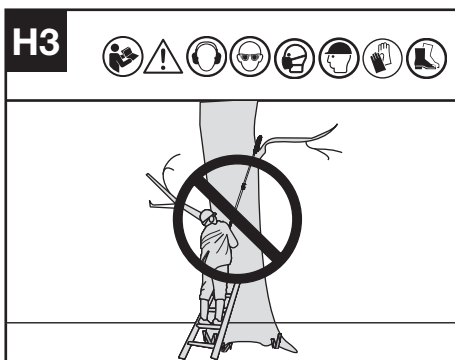
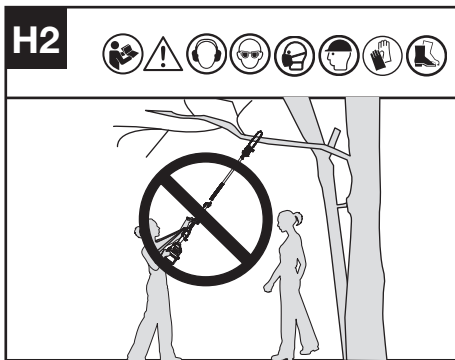
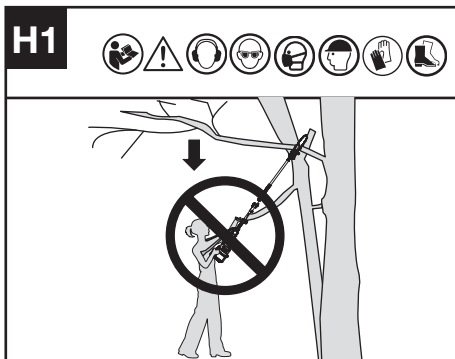
## DISPOSITIVOS DE SEGURANÇA DE RETROCESSO NESTA SERRA

Esta serra tem uma corrente que tem um baixo retorno e barra de guia com retorno reduzido. Ambos os itens reduzem a possibilidade de retorno. Contudo, o ressalto pode ainda assim ocorrer. Os passos seguintes reduzem o risco de ressalto.

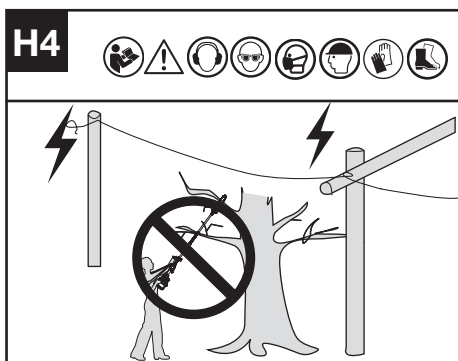
- Use ambas as mãos para agarrar a serra durante o funcionamento desta. Segure firmemente.
- Mantenha todos os dispositivos de segurança na serra no devido lugar. Certifique-se de que funcionam corretamente.
- Mantenha sempre um equilíbrio firme.
- Mantenha-se ligeiramente à esquerda da serra. Isto evita que o seu corpo esteja em linha direta com a corrente.
- Não deixe que a ponta da barra-guia toque em nada quando estiver em movimento.
- Não enterre a ponta da barra-guia nem tente mergulhar o corte (furar a madeira usando a ponta da barra-guia).
- Tenha em atenção a mudança da madeira ou outras forças que possam prender a corrente.
- Tenha muito cuidado ao entrar novamente num corte já iniciado.
- Utilize apenas a corrente de baixo recuo e a barra-guia que foram fornecidas com esta serra de haste ou com outras recomendadas.
- Nunca use uma corrente embotada ou solta. Mantenha a corrente afiada com uma tensão correta.

## CORTE DE RAMOS ALTOS

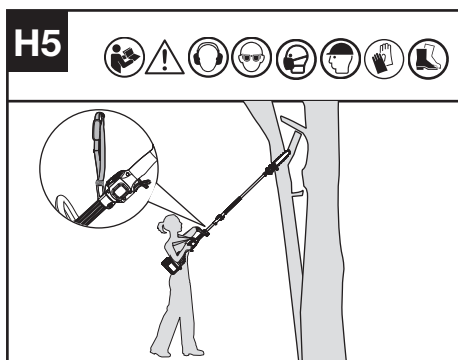
1. Instalação da bateria na máquina.
2. Antes de cortar um ramo alto, preste especial atenção à trajetória provável da queda do ramo. AVISO: Não se coloque diretamente por baixo de um ramo que está a ser cortado. Mantenha os espectadores afastados. Não se apoie numa escada ou noutro tipo de suporte instável enquanto estiver a utilizar a ferramenta. Não utilize a ferramenta perto de cabos, energia elétrica ou linhas telefónicas. Mantenha-se a 3 metros (10 pés) de distância de todas as linhas elétricas. (Ver a Fig. H1-H4)







3. Utilize as duas mãos para agarrar a serra de vara e cortar os ramos.



#### APARAR UMA ÁRVORE (PODAR)

**AVISO:** Evite contragolpes. Os contragolpes podem resultar em lesões graves ou morte. Consulte Contragolpes para evitar os riscos de contragolpes.

**AVISO:** Não utilize a serra de haste telescópica enquanto estiver

- sobre uma árvore,
- numa escada ou em qualquer outra superfície instável
- em qualquer posição incômoda

Pode perder o controlo da serra de haste e causar ferimentos graves.

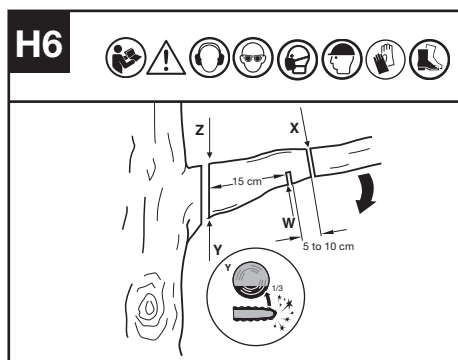
**CUIDADO:** Procure ajuda profissional se estiver perante condições que estão além das suas capacidades.

Aparar uma árvore é o processo de cortar ramos de uma árvore viva. Mantenha-se sempre bem posicionado e em equilíbrio. Mantenha os pés afastados à largura dos ombros. Divida o seu peso de forma equilibrada em ambos os pés.

Siga as instruções abaixo para aparar uma árvore.

1. Faça o primeiro corte a alguns centímetros (c) do tronco da árvore, na parte inferior do ramo. Utilize a parte superior da barra-guia para efetuar este corte. Corte 1/3 do diâmetro do ramo (Ver a Fig.

H6).



2. Desloque-se alguns centímetros (30% de c) mais para cima no ramo. Faça um segundo corte a partir do ramo superior. Continuar a cortar até cortar o ramo por completo.
3. Faça o terceiro corte o mais próximo possível do tronco da árvore, cortando totalmente o resto do galho. Use a parte inferior da barra-guia para fazer este corte.

#### PARA FERRAMENTAS ELÉTRICAS

O intervalo de temperatura ambiente recomendado para descarga é -20 °C ~ 45 °C.

O intervalo de temperatura ambiente recomendado para o sistema de carregamento durante o carregamento é entre -5 °C ~ 45 °C.

PT

## TRANSPORTE

### Transporte da serra de haste telescópica

1. Desligue a serra de haste telescópica e remova a bateria.
2. Quando transportar a sua serra de haste à mão, segure a haste da serra certificando-se de que a máquina está paralela ao chão e que a barra está virada para trás.
3. Ao transportar a serra de haste num veículo, fixe-a e posicione-a para evitar movimentos ou danos.

## MANUTENÇÃO DA SERRA

Siga as instruções de manutenção deste manual. A limpeza e manutenção adequadas da serra, da corrente e da barra-guia podem reduzir as hipóteses de desgaste. Inspeção e mantenha a serra após cada utilização. Isto irá aumentar a vida útil da sua serra. Se a serra for molhada pela chuva durante o funcionamento, a máquina e a bateria devem ser secas antes de serem guardadas ou carregadas.

# MANUTENÇÃO E ARMAZENAMENTO DA SERRA DE HASTE TELESCÓPICA

- 1. Remova o módulo da bateria**
  - Quando não estiver a ser utilizado
  - Antes de deslocar de um local para outro
  - Antes de efetuar a manutenção
  - Antes de substituir acessórios ou complementos, como a corrente da serra e a barra
- 2. Inspeção a serra de haste telescópica antes e depois de cada utilização.** Verifique a serra de perto para ver se a proteção ou alguma outra peça foi danificada. Verifique se existem danos que possam afetar a segurança do operador ou o funcionamento da serra. Verifique o alinhamento ou ligação das peças móveis. Verifique se existem peças partidas ou danificadas. Não utilize a serra de haste se os danos afetarem a segurança ou o funcionamento. Peça a um centro de serviço autorizado que repare os danos.
- 3. Faça a manutenção da serra de haste com cuidado.**
  - Mantenha a corrente afiada, limpa e lubrificada para um desempenho melhor e mais seguro.
  - Siga os passos descritos neste manual para afiar a corrente.
  - Mantenha as pegas secas, limpas e isentas de óleo e gordura.
  - Mantenha todos os parafusos e porcas apertados.
- 4. Durante o serviço, use apenas peças de substituição idênticas.**
- 5. Quando não estiver a ser utilizada, guarde sempre a serra de haste telescópica**
  - num local alto ou fechado, fora do alcance das crianças
  - num local seco
  - com a bainha de proteção em posição

## MANUTENÇÃO DA BARRA

Para aumentar a vida útil da barra, é recomendada a seguinte manutenção.

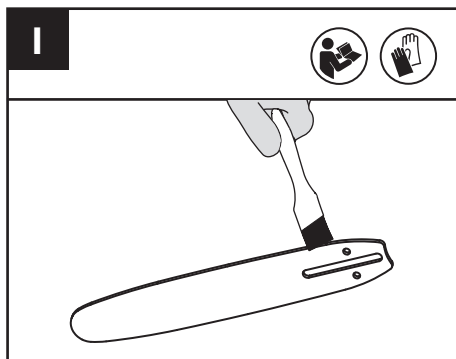
Os trilhos da barra que conduzem a corrente devem ser limpos antes de armazenar a ferramenta ou se a barra ou corrente aparentar estar suja.

Os trilhos devem ser limpos sempre que a corrente for retirada.

Pode ser necessário rebarbar ocasionalmente as calhas da barra com uma lima plana

## PARA LIMPAR OS TRILHOS DA BARRA

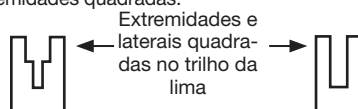
1. Remova a cobertura da corrente, a barra e a corrente. (ver a secção MONTAGEM).
2. Utilize uma escova metálica, chave ou uma ferramenta semelhante adequada para limpar os resíduos dos trilhos da barra. (Ver a Fig. I)
3. Certifique-se de que limpa as passagens de óleo cuidadosamente.



## CONDIÇÕES QUE REQUEREM MANUTENÇÃO DA CORRENTE E DA BARRA-GUIA:

- A serra corta para um lado ou num determinado ângulo.
- A serra tem de ser orientada à força ao longo do corte.
- Fornecimento inadequado de óleo à barra e à corrente.

Verifique a condição da barra de guia sempre que a corrente for afiada. Uma barra de guia desgastada danifica a corrente e torna o corte difícil. Após cada utilização, com a unidade desligada da fonte de alimentação, limpe toda a serradura da barra de guia e do orifício da roda de corrente. Quando o trilho de cima estiver desnivelado, utilize uma lima plana para restabelecer as laterais e extremidades quadradas.



Ranhura desgastada

Ranhura corrigida

Substitua a barra de guia quando a ranhura estiver desgastada, a barra da guia estiver dobrada ou com fissuras ou quando ocorrer excesso de aquecimento ou rebarba no trilho. Se for necessário substituir, use apenas a barra de guia especificada para sua serra na lista de peças de reposição ou na etiqueta localizada na serra.

## SUBSTITUIR A CORRENTE DA SERRA E A LANÇA

Substitua a Corrente da Serra quando as lâminas estiverem demasiado gastas para afiar ou quando a corrente partir. Utilize apenas a corrente de substituição anotada no presente manual. Inspeção a Barra da Guia antes de afiar a corrente. Uma Barra da Guia gasta ou danificada é insegura, causará danos na Corrente da Serra e dificultará o corte.

## AFIAR A CORRENTE DE SERRA

**ATENÇÃO:** Remova o conjunto de pilhas da ferramenta antes de realizar qualquer ajuste, reparação ou manutenção. É

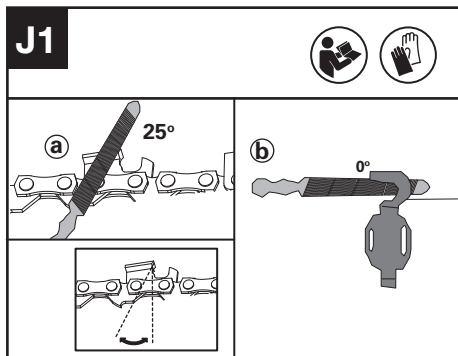
possível ocorrer situações de lesões graves ou morte do choque elétrico ou contacto corporal com a corrente em movimento.

Os bordos de corte na corrente são afiados.

Utilize sempre luvas de proteção durante a instalação ou remoção da corrente de corte.

Mantenha a Corrente da Serra afiada. A serra irá cortar mais rápido e de forma mais segura. Uma Corrente da Serra frouxa causará o desgaste excessivo da Roda Dentada, Barra da Guia, Corrente da Serra e do motor. Caso tenha de forçar a Corrente da Serra a penetrar na madeira e o corte apenas cria serragem com poucas aparas grandes, a Corrente da Serra está frouxa.

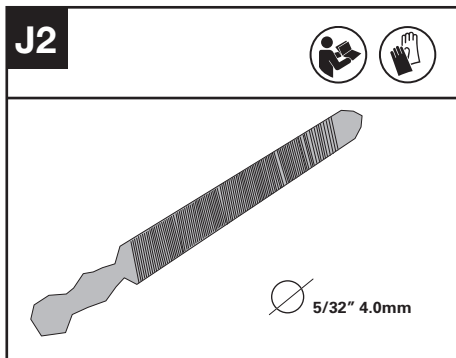
Antes de afiar, preste atenção aos seguintes passos: (Ver a Fig. J1)



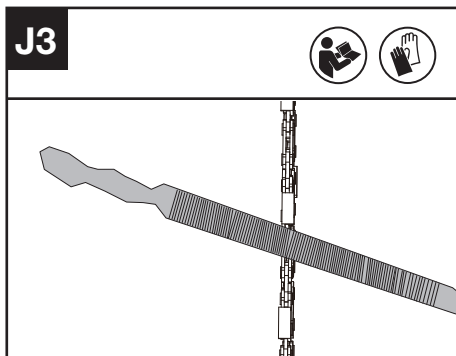
a: Ângulo da lima; b: posição da lima.

### Para afiar os cortadores

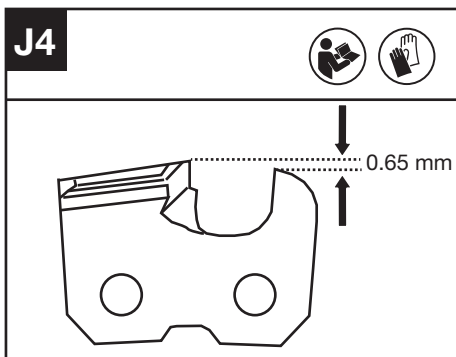
1. Prepare uma lima redonda para afiar o cortador. (Ver a Fig. J2). **NOTA:** Fixe firmemente a barra guia num torno antes de afiar a corrente. Certifique-se de que a corrente não está "encravada" e pode mover-se livremente na barra guia. Verifique se a corrente está devidamente tensionada. (Veja a secção de "Estabelecer a tensão da corrente")



2. Afie os cortadores com uma lima do lado interior dos dentes de corte em direção ao exterior da corrente. (Ver a Fig. J3)



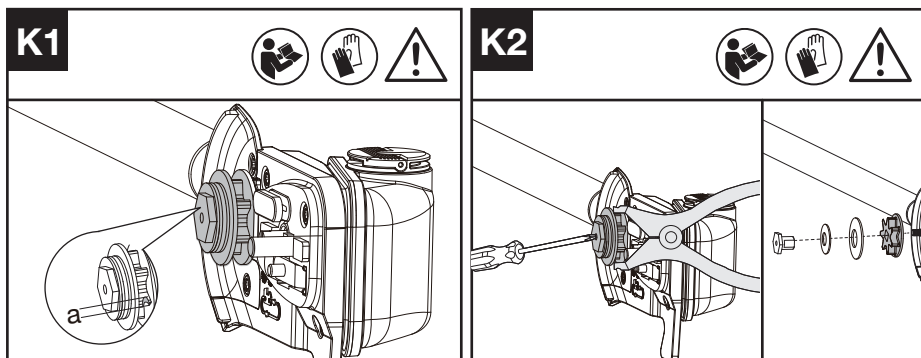
3. Lime todos os cortadores num dos lados da barra guia.
4. Vire a motosserra e lime todos os cortadores do lado oposto.
5. Certifique-se de que o comprimento de todos os dentes cortantes é o mesmo. Para garantir um corte eficiente, seguro e suave, lime a altura do medidor de profundidade até 0,65 mm. Certifique-se de que a aresta frontal do medidor de profundidade é arredondada. (Ver a Fig. J4)



# INSPEÇÃO E MANUTENÇÃO DA RODA DENTADA DA CORRENTE

**AVISO:** Antes de efetuar a verificação, é necessário desligar a serra de haste e retirar a bateria.

1. Retire a cobertura da roda dentada de acionamento, a corrente da serra e a barra-guia.
2. Verifique se as marcas de desgaste são mais profundas do que  $a=0,5$  mm, como mostrado na Fig. S1 e, se assim for, então a roda dentada da corrente deve ser substituída. (Ver a Fig. K1)
3. Quando substituir a roda dentada da corrente, controle a roda dentada com um alicate e utilize uma chave de fendas para desapertar a porca e substituí-la. (Ver a Fig. K2)



PT

## LIMPEZA

1. Desligue a serra de haste telescópica e remova a bateria.
2. Não utilize detergentes ou solventes agressivos. Limpe a máquina após a utilização com um pano húmido mergulhado num detergente suave.
3. Mantenha as ligações da bateria livres de sujidade e resíduos e limpe-as com uma escova ou um pano macio e seco.
4. Não pulverize água sobre o motor e os componentes elétricos.
5. Não utilize uma máquina de lavar sob pressão para limpar a sua máquina.

## ARMAZENAMENTO

1. Retire a bateria da serra de haste antes de a guardar.
2. Guarde a serra de haste e a bateria num local seco e seguro, inacessível a crianças e outras pessoas não autorizadas.
3. Recomenda-se que uma vez molhada durante o funcionamento com chuva, a máquina e a bateria devem ser secas antes de serem armazenadas ou carregadas. Remover a bateria e voltar a inseri-la se a máquina não ligar.

## LOCALIZAÇÃO DE ERROS

Se a ferramenta eléctrica não estiver funcionando correctamente, a seguinte tabela descreve sinais de erro, possíveis causas e medidas de solução. Se não for possível identificar e eliminar o problema com estas informações, dirija-se à sua oficina de serviço pós-venda.

**ATENÇÃO:** Antes de tentar localizar o erro, deverá desligar a ferramenta eléctrica e retirar o acumulador.

Sintoma	Causa provável	Solução
---------	----------------	---------

A serra de pólo não funciona	Bateria descarregada	Carregamento da bateria.
Serra de pólo opera intermitentemente	Sobreaquecimento	Colocar a máquina num local fresco e ventilado para arrefecer o aparelho.
	Aplicação de demasiada corrente ao cortar.	Aplicar menos pressão ao cortar.
	Igitação desapertada.	Entre em contacto com seu agente de serviço.
	Mau contacto interno.	
	Gatilho de ligar/desligar defeituoso.	
Corrente de serra seca.	Nenhum óleo no tanque.	Encher com óleo.
	Ventilação na tampa de enchimento de óleo obstruída	Limpe o tampão
	O canal de escape de óleo está obstruído.	Desobstruir o canal de escape de óleo.
Corrente/carril de guia quente.	Nenhum óleo no tanque.	Encher com óleo.
	Ventilação na tampa de enchimento de óleo obstruída	Limpe o tampão
	O canal de escape de óleo está obstruído.	Desobstruir o canal de escape de óleo.
	Tensão de corrente muito alta.	Ajustar a tensão da corrente.
	Corrente embotada.	Voltar a afiar a corrente ou substituir.
Serra de pólo rasgo, vibra, não serra corretamente	Tensão da corrente muito frouxa.	Ajustar a tensão da corrente.
	Corrente embotada.	Voltar a afiar a corrente ou substituir.
	Corrente desgastada.	Substituir a corrente.
	Os dentes de corte mostram para a direção errada.	Montar novamente a corrente de serra com os dentes na direção correta.

PT

## DADOS TÉCNICOS


	<b>KAC361</b>
Comprimento da lança	25 cm
Velocidade da corrente	Alta: 17 m/s Baixa: 13 m/s
Quantidade de enchimento do compartimento de óleo	160 ml
Passo da corrente	3/8" LP
Calibre da corrente	1.1 mm
Grau de proteção	IPX4
Peso da máquina	1.8 kg

# COMBINAÇÕES DE ACESSÓRIOS DE CORTE

## Acessório de corte

KAC333-10"/25cm 0.043"/1.1mm 3/8 LP barra
KAC302-10"/25cm 0.043"/1.1mm 3/8 LP corrente
KAC335-12"/30cm 0.043"/1.1mm 3/8 LP barra
KAC304-12"/30cm 0.043"/1.1mm 3/8 LP corrente

# INFORMAÇÃO COM EIXO DE EXTENSÃO (KAC360) INFORMAÇÃO DE RUÍDO


Pressão de som avaliada	$L_{pA} = 79 \text{ dB(A)}$ $K_{pA} = 3,0 \text{ dB(A)}$
Potência de som avaliada	$L_{WA} = 94,1 \text{ dB(A)}$ $K_{WA} = 1,1 \text{ dB(A)}$
Usar protecção para os ouvidos.	

# INFORMAÇÃO DE VIBRAÇÃO

Os valores totais de vibração são determinados de acordo com a normativa EN ISO 11680-1.

Valor da emissão da vibração	$a_h = 1,3 \text{ m/s}^2$
	Instabilidade $K = 1,5 \text{ m/s}^2$

# INFORMAÇÃO SEM EIXO DE EXTENSÃO INFORMAÇÃO DE RUÍDO


Pressão de som avaliada	$L_{pA} = 82 \text{ dB(A)}$ $K_{pA} = 3,0 \text{ dB(A)}$
Potência de som avaliada	$L_{WA} = 93 \text{ dB(A)}$ $K_{WA} = 1,5 \text{ dB(A)}$
Usar protecção para os ouvidos.	

# INFORMAÇÃO DE VIBRAÇÃO

Os valores totais de vibração são determinados de acordo com a normativa EN ISO 11680-1.

Valor da emissão da vibração	$a_h = 1,87 \text{ m/s}^2$
	Instabilidade $K = 1,5 \text{ m/s}^2$

O valor total declarado da vibração poderá ser utilizado para comparar uma ferramenta com outra e poderá também ser utilizado numa avaliação preliminar de exposição.

 **Aviso:** Os valores de emissão de vibração durante a utilização da ferramenta podem divergir dos valores declarados, dependendo da forma como a ferramenta é utilizada, dependendo dos exemplos seguintes e de outros modos de utilização:


O modo como a ferramenta é utilizada, os materiais a cortar ou perfurar.

A ferramenta estar em boas condições e bem conservada.

A utilização do acessório correcto para a ferramenta e a garantia de que está afiada e em boas condições.

A firmeza com que se segura nas pegas e se quaisquer acessórios vibratórios são utilizados. Se a ferramenta é utilizada para o objectivo para a qual foi concebida e segundo as instruções.

Esta ferramenta pode causar síndrome de vibração mão-braço, se não for adequadamente utilizada.

 **Aviso:** Para ser preciso, uma estimativa do nível de exposição nas condições actuais de utilização devem ter em conta todas as partes do ciclo de operação, como tempos em que a ferramenta está desligada e quando está em funcionamento, mas inactiva, ou seja, não realizando o seu trabalho. Isto poderá reduzir significativamente o nível de exposição durante o período total de trabalho.


Como minimizar o seu risco de

Utilize **SEMPRE** formões, brocas e lâminas afiadas.

Mantenha esta ferramenta de acordo com as instruções e bem lubrificada (quando aplicável) Se a ferramenta for utilizada regularmente, invista em acessórios anti-vibração.

Planeie o seu horário de trabalho de forma a distribuir a utilização de ferramentas de alta vibração ao longo de vários dias.

# ROTECÇÃO AMBIENTAL

 Os equipamentos eléctricos não devem ser depositados com o lixo doméstico. Se existirem instalações adequadas deve reciclá-los. Consulte a sua autoridade local para tratamento de lixos

ou fornecedor para obter aconselhamento sobre reciclagem.

Park, Jiangsu 215123, P. R. China

# DECLARAÇÃO DE CONFORMIDADE

NÓS,  
Positec Germany GmbH  
Postfach 680194, 50704 Cologne, Germany

Em nome da Positec, declara que o produto  
**Descrição:** Serra de haste telescópica alimentada a bateria  
**Typo:** KAC361 (361 - designação de maquinaria, representante da serra de haste telescópica)  
**Função:** Corte de ramos altos

Cumpre as seguintes Directivas,  
**2006/42/EC, 2014/30/EU, 2011/65/EU & (EU)2015/863, 2000/14/EC rectificada em 2005/88/EC**

Organismo notificado envolvido  
Nome: Intertek Deutschland GmbH (Organismo notificado 0905)  
Morada: Stangenstraße 1, 70771 LEINFELDEN-ECHTERDINGEN  
Certificação N.º: 24SHW0160

**Informação com eixo de extensão (KAC360)**  
2000/14/EC rectificada em 2005/88/EC:  
- Processo de Avaliação de Conformidade segundo Anexo V  
- Nível de Volume de Som Medido 94 dB(A)  
- Nível de Volume de Som Garantido 96 dB(A)

**Informação sem eixo de extensão**  
2000/14/EC rectificada em 2005/88/EC:  
- Processo de Avaliação de Conformidade segundo Anexo V  
- Nível de Volume de Som Medido 93 dB(A)  
- Nível de Volume de Som Garantido 95 dB(A)

Normas em conformidade com:  
**EN 62841-1, EN ISO 11680-1, EN ISO 3744, EN IEC 55014-1, EN IEC 55014-2, EN IEC 63000**

Pessoa autorizada a compilar o ficheiro técnico,  
**Nome Marcel Filz**  
**Endereço Positec Germany GmbH**  
**Postfach 680194, 50704 Cologne, Germany**



2024/01/26  
Allen Ding  
Engenheiro-chefe adjunto, Teste e Certificação  
Positec Technology (China) Co., Ltd.  
18, Dongwang Road, Suzhou Industrial

PT

# INHOUDSOPGAVE

Inleiding.....	104
Onderdelenlijst.....	105
Productveiligheid.....	106
Assemblage en bediening.....	109
Kettingsmering.....	111
Bediening.....	112
Vervoer.....	114
Zaag onderhoud.....	114
Reiniging.....	117
Opslag.....	117
<b>NL</b> Problemen oplossen.....	117
Technischegegevens.....	117
Conformiteitverklaring.....	119

## INLEIDING

Beste klant,

Dank u voor het kopen van dit Kress Commercial-product. Wij zijn toegewijd aan het ontwikkelen van producten van hoge kwaliteit om aan uw commerciële hoveniersvereisten te voldoen.

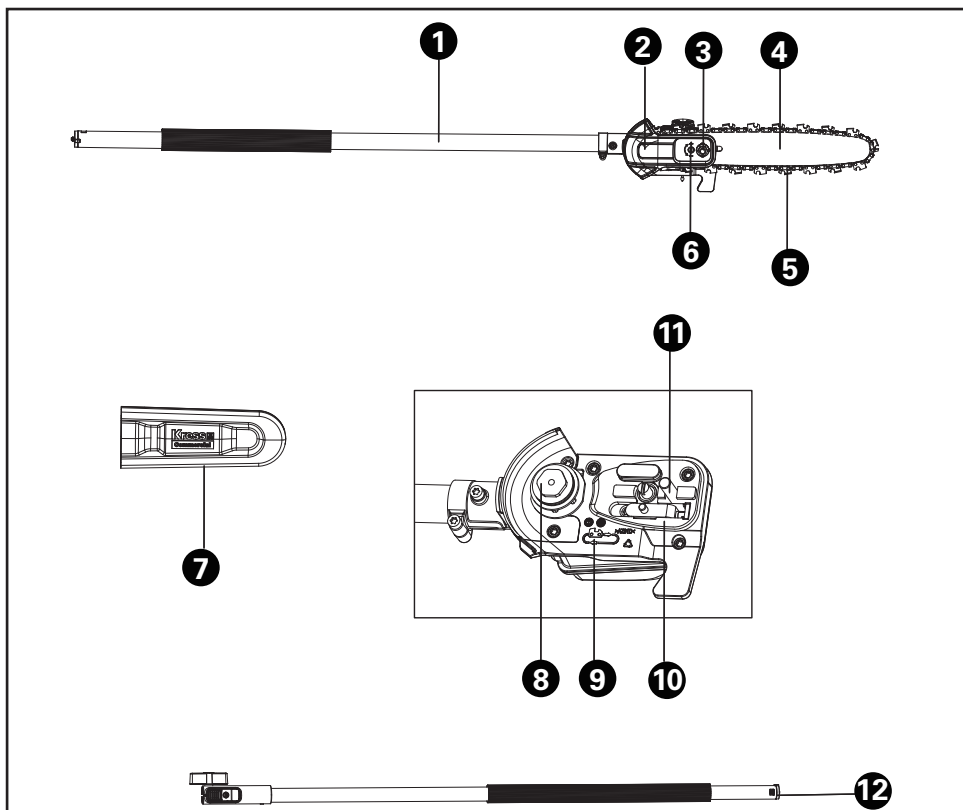
Het merk Kress staat synoniem voor service van topkwaliteit. Als u tijdens de levensduur van uw product vragen of twijfels hebt over uw product, neem dan contact op met uw distributeur of onze klantendienst voor hulp.

Wij zijn ervan overtuigd dat u nog jarenlang plezier zult beleven aan het werken met uw Kress-product.

## BEOOGD GEBRUIK

In combinatie met KAC104-aandrijfkop, deze stokzaag is ontworpen voor snoeien en trimmen van takken buiten handbereik. Alle zaagsneden dienen dwars op de nerf te gebeuren. Dit product is alleen bedoeld voor het zagen van hout.






## ONDERDELENLIJST

- |     |                              |
|-----|------------------------------|
| 1.  | AS                           |
| 2.  | AANDRIJFKAP                  |
| 3.  | ZESKANTMOER                  |
| 4.  | ZAAGBLAD                     |
| 5.  | KETTING                      |
| 6.  | SCHROEF VOOR KETTINGSPANNING |
| 7.  | BESCHERMHOES                 |
| 8.  | AANDRIJFTANDWIEL             |
| 9.  | KETTINGRICHTINGSSYMBOL       |
| 10. | BLADPANEEL                   |
| 11. | LOCATIEPEN VAN ZAAGBLAD      |
| 12. | VERLENGSTEEL *               |

\* Sommige afgebeelde of beschreven toebehoren worden niet meegeleverd.

# OORSPRONKELIJKE GEBRUIKSAANWIJZING PRODUCTVEILIGHEID ALGEMENE VEILIGHEIDSWAARSCHUWINGEN VOOR VERMOGENSMACHINE

 **WAARSCHUWING!** Lees alle veiligheidswaarschuwingen, instructies, illustraties en specificaties die bij dit elektrisch gereedschap werden meegeleverd. *Het niet opvolgen van alle onderstaande voorschriften kan tot een elektrische schok, brand en/of ernstig persoonlijk letsel leiden.*

**Bewaar alle waarschuwingen en instructies voor latere naslag.**

*De term “(elektrisch) gereedschap” in de waarschuwingen hieronder, verwijst naar uw op netspanning werkende gereedschap (met stroomdraad) of uw accugereedschap (draadloos).*

## 1. WERKGEBIED

- a) **Houd uw werkgebied schoon en zorg ervoor dat deze goed verlicht is.** In rommelige en slecht verlichte werkgebieden gebeuren sneller ongelukken.
- b) **Gebruik elektrisch gereedschap niet in explosieve atmosferen, zoals in de nabijheid van ontvlambare vloeistoffen, gassen of stof.** Elektrisch gereedschap veroorzaakt vonken die de stof of de gassen kunnen doen ontvlammen.
- c) **Houd kinderen en omstanders uit de buurt terwijl u met elektrisch gereedschap werkt.** Afleidingen kunnen ervoor zorgen dat u de controle over het gereedschap verliest.

## 2. ELEKTRISCHE VEILIGHEID

- a) **De stekker van het elektrisch gereedschap moet passen in het stopcontact. Pas de stekker op geen enkele manier aan om te zorgen dat hij wel past. Gebruik geen adapterstekkers terwijl u geaard elektrisch gereedschap gebruikt.** Onaangepaste stekkers die in het stopcontact passen, verminderen de kans op een elektrische schok.
- b) **Vermijd lichamelijk contact met geaarde of geïsoleerde oppervlakken, zoals buizen, radiatoren, fornuizen en koelkasten.** Als uw lichaam geaard of geïsoleerd is, is er een grotere kans op een elektrische schok.
- c) **Gebruik de machine niet in regen of natte omstandigheden. Dit kan het risico op een elektrische schok vergroten.** Als de machine en de accu tijdens het gebruik nat zijn geworden in de regen, moeten ze worden gedroogd voordat ze worden opgeborgen of opgeladen. Verwijder de accu en plaats deze opnieuw als de machine niet inschakelt. Houd de accuaansluiting vrij van vuil en stof en reinig deze met een zachte, droge borstel of doek.

- d) **Gebruik de stroomdraad niet op een andere manier dan waarvoor deze gemaakt is. Trek niet aan de stroomdraad, ook niet om de stekker uit het stopcontact te krijgen en draag het gereedschap niet door het aan de stroomdraad vast te houden. Houd de stroomdraad uit de buurt van hitte, olie, scherpe hoeken en bewegende onderdelen.** Beschadigde of verwarde stroomdraden vergroten de kans op een elektrische schok.
- e) **Wanneer u het elektrische gereedschap buitenshuis gebruikt, dient u te zorgen voor een verlengsnoer dat geschikt is voor gebruik buitenshuis.** Het gebruik van een verlengsnoer dat geschikt is voor gebruik buitenshuis, vermindert de kans op een elektrische schok.
- f) **Moet een krachtmachine in een vochtige locatie worden gebruikt, gebruik dan een aardlekschakelaar (ALS).** Een ALS vermindert het gevaar op elektrische schokken.

## 3. PERSOONLIJKE VEILIGHEID

- a) **Blijf alert, kijk waar u mee bezig bent en gebruik uw gezonde verstand wanneer u met elektrisch gereedschap werkt. Gebruik geen elektrisch gereedschap wanneer u moe bent of onder de invloed van drugs, alcohol of medicijnen.** Een moment van onoplettendheid bij het gebruik van elektrisch gereedschap kan leiden tot ernstig persoonlijk letsel.
- b) **Gebruik een veiligheidsuitrusting. Draag altijd oogbescherming.** Een veiligheidsuitrusting, zoals een stofmasker, schoenen met antislipzolen, een veiligheidshelm, of oorbescherming die onder de juiste omstandigheden gebruikt wordt, vermindert de kans op persoonlijk letsel.
- c) **Pas op dat het apparaat niet onbedoeld wordt gestart. Zorg ervoor dat de schakelaar uit staat voordat u de voeding en/of batterij aansluit, en als u de machine oppakt en draagt.** Gereedschap dragen terwijl u uw vinger op de schakelaar houdt, of de stekker in het stopcontact steken terwijl het gereedschap ingeschakeld staat, is vragen om ongelukken.
- d) **Verwijder inbussleutels of moersleutels voordat u het gereedschap inschakelt.** Een sleutel die nog in of op een draaiend onderdeel van het elektrische gereedschap zit, kan leiden tot ernstig persoonlijk letsel.
- e) **Werk niet boven uw macht. Zorg er altijd voor dat u stevig staat en goed in balans bent.** Hierdoor heft u betere controle over het gereedschap in onverwachte situaties.
- f) **Draag geschikte kleding. Draag geen loszittende kleding of sieraden. Houd uw haar, kleding en handschoenen uit de buurt van bewegende onderdelen.** Loszittende kleding, sieraden of lang haar kan vast komen te zitten in bewegende onderdelen.
- g) **Wanneer er apparaten worden bijgeleverd voor stofafzuiging en –opvang, zorg er dan voor dat deze aangesloten zijn en op de juiste manier gebruikt worden.** Het gebruik van deze

apparaten vermindert de gevaren die door stof kunnen ontstaan.

- h) **Als u gereedschap veelvuldig gebruikt, dan kan dit leiden tot het negeren van de veiligheidsprincipes, probeer dit te vermijden.** Een achteloze actie kan binnen een fractie van een seconde leiden tot ernstig letsel.

#### 4. GEBRUIK EN ONDERHOUD VAN ELEKTRISCH GEREEDSCHAP

- a) **Forceer het gereedschap niet. Gebruik gereedschap dat voor de toepassing geschikt is.** Het gebruik van geschikt gereedschap levert beter werk af en werkt veiliger als het gebruikt wordt op de snelheid waar het voor ontworpen is.
- b) **Gebruik het gereedschap niet wanneer de aan/uitschakelaar niet functioneert.** Gereedschap dat niet kan worden bediend met behulp van de schakelaar is gevaarlijk en dient te worden gerepareerd.
- c) **Neem de stekker uit het stopcontact en/of verwijder de batterij voordat u instellingen verandert, toebehoren vervangt of de machine opbergt.** Deze preventieve veiligheidsmaatregelen verminderen de kans op het ongewild inschakelen van het gereedschap.
- d) **Berg gereedschap dat niet gebruikt wordt buiten het bereik van kinderen op en laat personen die niet bekend zijn met het gereedschap of met deze veiligheidsinstructies het gereedschap niet bedienen.** Elektrisch gereedschap kan in de handen van ongetrainde gebruikers gevaarlijk zijn.
- e) **Onderhoud elektrisch gereedschap op de juiste wijze. Controleer of bewegende onderdelen nog goed uitgelijnd staan, of ze niet ergens vastzitten en controleer op elke andere omstandigheid die ervoor kan zorgen dat het gereedschap niet goed functioneert. Wanneer het gereedschap beschadigd is, dient u het te repareren voordat u het in gebruik neemt.** Veel ongelukken worden veroorzaakt door slecht onderhouden elektrisch gereedschap.
- f) **Houd snijdend gereedschap schoon en scherp.** Goed onderhouden snijdend gereedschap met scherpe zaagbladen/messen zal minder snel vastlopen en is makkelijker te bedienen.
- g) **Gebruik het gereedschap, de accessoires, de bitjes, enz. in overeenstemming met deze instructies en op de manier zoals bedoeld voor het specifieke type elektrisch gereedschap, rekening houdend met de werkomstandigheden en het uit te voeren werk.** Het gereedschap gebruiken voor andere doeleinden dan waar deze voor ontworpen is, kan gevaarlijke situaties opleveren.
- h) **Houd de handgrepen en grijpoppervlakten droog, schoon en vrij van olie en smeermiddel.** Glibberige handgrepen en grijpoppervlakten laten geen veilige hantering toe, en zorgen ervoor dat u geen controle hebt over het gereedschap in onverwachte omstandigheden.

#### 5. GEBRUIK EN ONDERHOUD VAN ACCUGEREEDSCHAP

- a) **Laad het accupack alleen op met de door de fabrikant aangegeven oplader.** Een oplader die geschikt is voor het ene type accupack, kan brand veroorzaken wanneer die gebruikt wordt voor een ander type accupack.
- b) **Gebruik het gereedschap uitsluitend met het aangegeven accupack.** Door het gebruik van andere accupacks ontstaat de kans op letsel of brand.
- c) **Wanneer het accupack niet gebruikt wordt, dient u het uit de buurt te houden van metalen voorwerpen, zoals paperclips, munten, sleutels, spijkers, schroeven of andere kleine metalen voorwerpen die een verbinding kunnen maken tussen de contactpunten van de terminal.** Het kortsluiten van de accuterminals kan zorgen voor brandwonden of brand.
- d) **Onder extreme omstandigheden kan er vloeistof uit de accu lopen; raak deze vloeistof niet aan. Wanneer u toch onverhoopt met de vloeistof in aanraking komt, dient u dit onmiddellijk af te spoelen met water.** Wanneer de vloeistof in de ogen komt, dient u zo snel mogelijk een arts te raadplegen. Vloeistof die afkomstig is uit de accu kan irritatie of brandwonden veroorzaken.
- e) **Gebruik geen accu of gereedschap dat beschadigd of aangepast is.** Beschadigde of aangepaste accu's kunnen onvoorspelbaar reageren, wat kan leiden tot brand, explosie of het veroorzaken van letsel.
- f) **Stel een accu of gereedschap niet bloot aan vuur of extreme temperatuur.** Blootstelling aan brand of een temperatuur boven 130°C kan explosie veroorzaken.
- g) **Volg alle instructies en laad de accu of het gereedschap niet op buiten het temperatuurbereik dat vermeld is in de handleiding.** Onjuist opladen of opladen bij temperaturen buiten het aangegeven bereik kan de accu beschadigen en het risico op brand vergroten.

#### 6. SERVICE

- a) **Laat uw elektrisch gereedschap repareren door een bevoegde reparateur die alleen originele reserveonderdelen gebruikt.** Zo bent u er zeker van dat uw gereedschap veilig blijft.
- b) **Repareer nooit beschadigde accu's.** Reparatie van accu's mag alleen worden uitgevoerd door de fabrikant of geautoriseerde onderhoudstechnici.

## ROD ZAG VEILIGHEIDSWAARSCHUWING

1. Houd de poolzaag op voldoende afstand van de bovenleiding.
2. Let op het gevaar van de bedieningspositie,

evenals het risico dat vallende takken of stoten de grond raken, en de bediener kan worden geraakt door vallende takken of takken stoten na het raken van de grond. Verwijder de takken in elke sectie.

3. Houd omstanders op een veilige afstand tijdens het werken met de machine om risico's te minimaliseren.
4. Zoek tijdens het gebruik een stevige positie van de voeten en een goede balans. Gebruik de bijgeleverde bescherming.
5. Gebruik PBM tijdens het werken, inclusief gehoorbescherming, oogbescherming (vizier of bril) en hoofdbescherming en kleding.

## VEILIGHEIDSINSTRUCTIES VOOR HET ACCUPACK

- a) **Batterijcellen en accupacks mogen niet gedemonteerd, geopend of vernietigd worden.**
- b) **Sluit accupacks niet kort. Bewaar accupacks niet willekeurig in een doos of lade waar ze elkaar kunnen kortsluiten of door geleidende voorwerpen kortgesloten kunnen worden.**  
Houd het accupack op een afstand van andere metalen voorwerpen als paperclips, muntstukken, sleutels, nagels, schroeven en andere kleine metalen voorwerpen die de contacten van de accupack kunnen verbinden. Kortgesloten contacten van accupacks kunnen brandwonden of brand veroorzaken.
- c) **Stel accupacks niet bloot aan warmte of vuur. Vermijd opslag in direct zonlicht.**
- d) **Stel accupacks niet bloot aan mechanische schokken.**
- e) **Als een accu lekt dient men voorzichtig te zijn dat de vloeistof niet in contact komt met de huid of de ogen. Als dat toch gebeurt spoelt men de huid onder stromend water en raadpleegt men een arts.**
- f) **Houd batterijcellen en accupacks schoon en droog.**
- g) **Veeg de aansluitingen van het accupack schoon met een droge doek als ze vuil zijn geworden.**
- h) **Accupacks moeten voor gebruik worden opgeladen. Lees de gebruiksaanwijzing voor de juiste laad instructies.**
- i) **Laat accupacks niet langdurig opladen als ze niet worden gebruikt.**
- j) **Na een lange opslagperiode kan het nodig zijn het accupack enkele keren op te laden en te ontladen voor een optimale prestatie.**
- k) **Laad alleen op met een lader met de technische gegevens van Kress. Gebruik geen andere lader dan de lader die specifiek voor dat doel met de apparatuur is meegeleverd.**
- l) **Gebruikt geen accupack dat niet bedoeld is voor gebruik met deze apparatuur.**
- m) **Houd accupacks buiten het bereik van**

kinderen.

- n) **Bewaar de oorspronkelijke instructies van het product voor latere gebruik.**
- o) **Verwijder het batterijpakket uit de apparatuur als het niet in gebruik is.**
- p) **Volg de juiste procedure voor afvalverwijdering na afdanken van dit apparaat.**
- q) **Gebruik geen cellen van verschillende fabrikanten, capaciteit, afmetingen of typen binnen een apparaat.**
- r) **Houd de accu uit de buurt van microgolven en hoge druk.**
- s) **Waarschuwing! Gebruik geen niet-oplaadbare batterijen.**


BEWAAR DEZE INSTRUCTIES

## SYMBOLLEN

	Lees de gebruikershandleiding om het risico op letsels te beperken
	Waarschuwing
	Draag oorbescherming
	Draag een veiligheidsbril
	Draag een stofmasker
	Draag hoofdbescherming
	Draag beschermende handschoenen.
	Draag veiligheidsschoeisel.
	Houd voldoende afstand van hoogspanningslijnen

 <p>Li-Ion</p> 	<p>Li-Ion-accu Dit product is uitgerust met een symbool dat 'gescheiden inzameling' aanduidt voor alle accu's. Ze worden dan gerecycled of gedemonteerd om de impact op het milieu te verminderen. Accu's kunnen gevaarlijk zijn voor het milieu en de menselijke gezondheid, omdat ze gevaarlijke stoffen bevatten.</p>
	<p>Niet verbranden.</p>
	<p>Accu's kunnen in de waterkringloop terechtkomen als ze op onjuiste wijze worden weggegooid, wat gevaarlijk kan zijn voor het ecosysteem. Gooi afgedankte accu's niet weg bij het ongesorteerde huishoudelijke afval</p>
	<p>Afgedankte elektrische producten mogen niet bij het normale huisafval terechtkomen. Breng deze producten waar mogelijk naar een recyclecentrum bij u in de buurt. Vraag de verkoper of de gemeente informatie en advies over het recyclen van elektrische apparatuur..</p>
	<p>Milieuvriendelijke verwijdering van Oude elektrische apparaten mogen niet samen met het restafval worden weggegooid, maar moeten apart worden verwijderd. De inlevering bij de gemeentelijke inzamelpunten via particulieren is gratis. De eigenaar van oude apparaten is verantwoordelijk om de apparaten naar deze of soortgelijke inzamelpunten te brengen. Met deze kleine persoonlijke moeite draagt u bij tot het hergebruik van waardevolle grondstoffen en de verwerking van giftige stoffen.</p>
	<p>Ontgrendelen</p>
	<p>Slot</p>

## ASSEMBLAGE EN BEDIENING

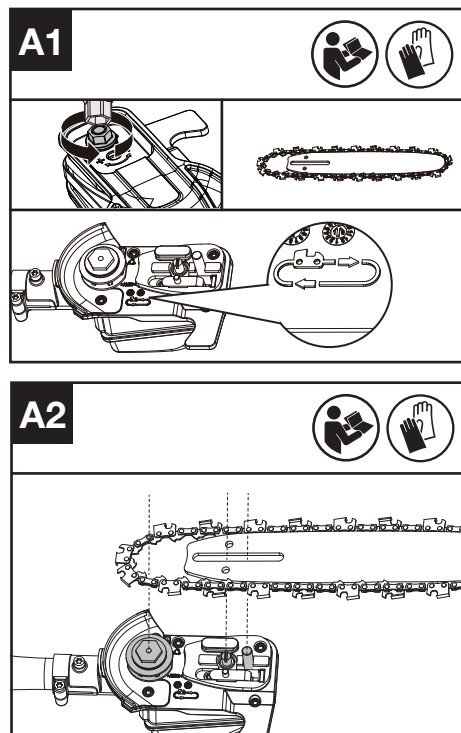
 **OPMERKING:** lees het instructieboekje aandachtig voor gebruik van het gereedschap.

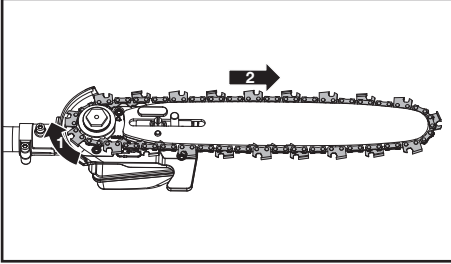
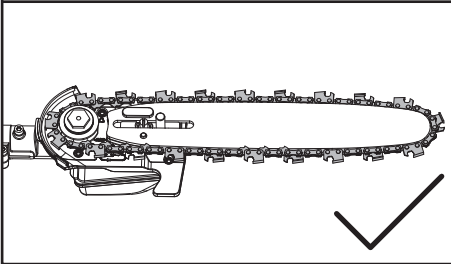
## MONTAGE

 **WAARSCHUWING!** Installeer het accupack niet, voordat dit geheel in elkaar gezet is. Draag altijd werkhandschoenen bij de omgang met de zaagketting.

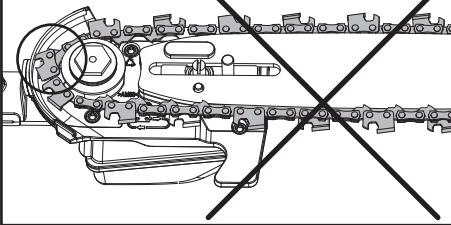
### MONTAGE VAN DE KETTING EN HET ZAAGBLAD

1. Draai de zeskantmoer los om de aandrijfkop te verwijderen. Schuif de ketting in de gleuf rond het zaagblad. Zorg ervoor dat de ketting in de juiste richting draait. (Zie afb. A1)
2. Plaats de ketting op het aandrijftandwiel, zodat de locatiepunten van het zaagblad in de uitsparing van de opening op het zaagblad past. (Zie afb. A2, A3)
3. Controleer of alle onderdelen goed zijn geplaatst. Zorg ervoor dat de aandrijfschakels volledig in het aandrijftandwiel zitten (zie afb. B1), vermijd een knik zoals getoond in afb. B2. Als er een knik ontstaat, pakt u de ketting bij het zaagblad net vóór de knik en trekt u de knik eruit.  
**OPMERKING:** De ketting moet vrij kunnen draaien maar vereist een bepaalde kracht om te draaien.
4. Plaats de aandrijfkop en draai de zeskantmoer vast.



**A3****B1****B2**

Knik



**⚠ WAARSCHUWING:** De ketting is nog niet gespannen. De ketting moet gespannen worden zoals beschreven is onder "De ketting spannen". De ketting moet worden geïnspecteerd om zeker te zijn dat de geschikte spanning aanwezig is.

### KETTING SPANNEN (ZIE AFB. C, D)

**OPMERKING:** Nieuwe zaagkettingen zullen zich aanpassen aan het zaagblad wanneer ze voor het eerst worden gebruikt. Controleer de kettingspanning regelmatig bij het eerste gebruik en span aan wanneer de ketting losraakt rond het zaagblad.

- Verwijder het accupack vóór het instellen van de

spanning van de zaagketting.

- De snijranden van de ketting zijn scherp. Gebruik beschermende handschoenen bij het hanteren van de ketting.
- Handhaaf altijd de juiste kettingspanning. Een losse ketting kan uit de groef van het zaagblad springen. Dit kan de bediener verwonden en de ketting beschadigen. Een losse ketting zal ervoor zorgen dat de ketting, het zaagblad en het aandrijftandwiel snel slijten.

1. Plaats de stokzaag op een geschikt vlak oppervlak en draai de zeskantmoer los.

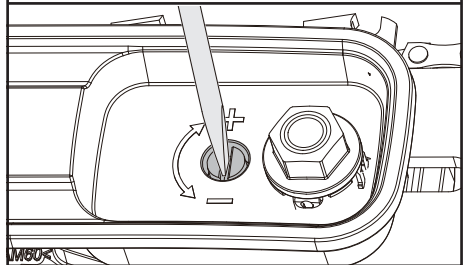
1. Draai de kettingspanschroef rechtsom tot deze strak zit. (, C)

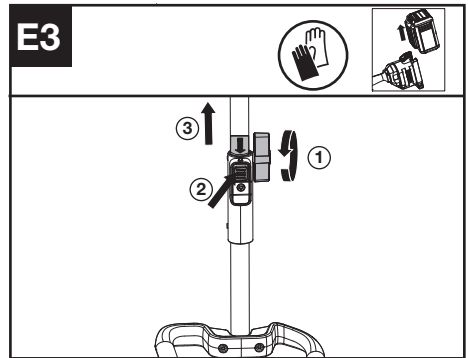
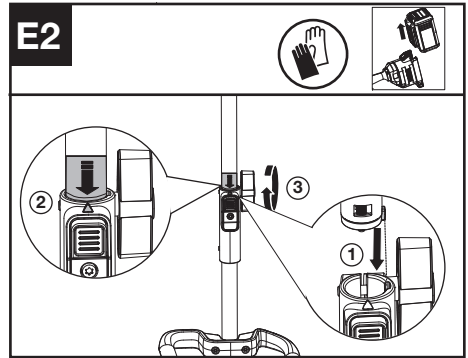
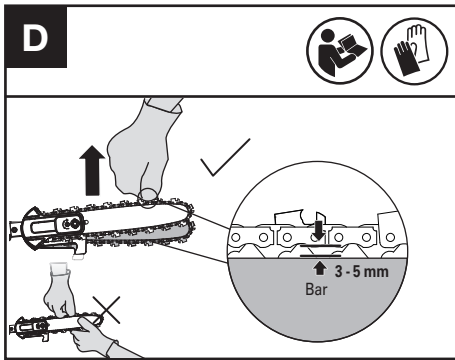
**OPMERKING:** De spanning wordt automatisch verhoogd terwijl de kettingspanschroef rechtsom wordt gedraaid. Draai vervolgens de zeskantmoer stevig vast.

3. Controleer de spanning die is ingesteld met de kettingspanschroef. De juiste kettingspanning is bereikt als de ketting ongeveer de helft van de kettingschakel-diepte vanaf de geleiderail opgetild kan worden in het midden. Dit moet worden gedaan door met een gehandschoende hand de ketting tegen het gewicht van de machine op te tillen. (Zie afb. D) Draai vervolgens de zeskantmoer volledig vast.

**OPMERKING:** De ketting is goed gespannen als deze van het zaagblad kan worden getild en de aandrijfschakel zich binnen de rail van het zaagblad bevindt.

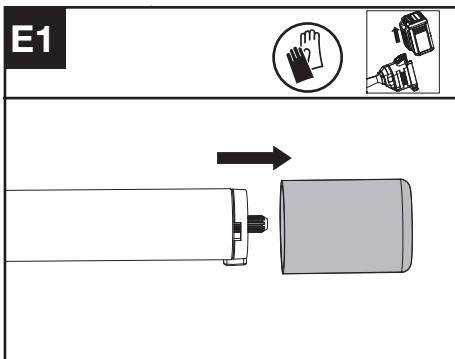
**OPMERKING:** De ketting zal tijdens het zagen losser gaan zitten en de juiste spanning verliezen. Wanneer de ketting los gaat zitten, draait u de zeskantmoer los, draait u de kettingspanschroef weer vast en draait u de zeskantmoer weer vast om de kettingspanning opnieuw in te stellen volgens de eerder genoemde stappen 1 tot en met 3.

**C**



## De aandrijfkop monteren en demonteren (Zie afb. E1, E2, E3)

1. Verwijder de beschermkap van het uiteinde van de steel voor opzetstukken.
2. Lijn om te monteren het driehoekpictogram op de knop uit met het pijllabel op de steel voor opzetstukken.
3. Duw de stelen in elkaar tot u een "klik" hoort. De rand van het pijllabel moet zich dicht bij de behuizing van de steelverbinding bevinden. (Opmerking: als het opzetstuk van de stokzaag niet volledig in de aandrijfkop kan worden geplaatst, draai het opzetstuk dan een beetje totdat het mogelijk is om de as volledig te plaatsen)
4. Voltooi de montage door de knop rechtsom vast te draaien.
5. Om te demonteren, draait u de knop los, draait u linksom, drukt u vervolgens op de ontgrendelingsknop en trekt u de stelen uit elkaar. Plaats de beschermkap terug op de steel voor opzetstukken om te voorkomen dat stof en vuil in de steel terechtkomen.



Montage- en demontage-informatie voor de verlengingsas, raadpleeg alstublieft de afbeeldingen E1, E2 en E3.

## KETTINGSMERING (ZIE AFB. F)

**!** **BELANGRIJK:** De stokzaag is niet gevuld met zaagblad- en kettingolie. Het is van essentieel belang om vóór gebruik zaagblad- en kettingolie bij te vullen. Gebruik de stokzaag nooit zonder zaagblad- en kettingolie en laat de tank nooit leeglopen, aangezien dit tot grote schade aan het product zal leiden.  
**OPMERKING:** De levensduur en zaagcapaciteit van de ketting zijn afhankelijk van een optimale smering. Daarom wordt de ketting tijdens het gebruik automatisch geolied.

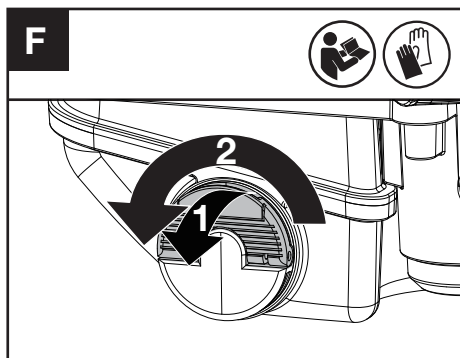
### VULLEN VAN DE OLIEKOP:

**!** **WAARSCHUWING:** Verwijder het accupack voordat u de olietank vult.

1. Plaats de stokzaag op een geschikte ondergrond met de olievladdop naar boven gericht.
2. Reinig het oppervlak rond de olievladdop met een doek en draai de dop los door deze linksom te

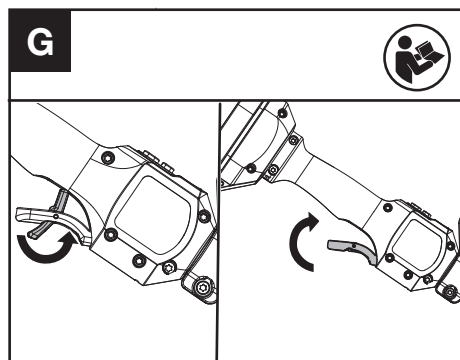
- draaien.
3. Vul zaagblad- en kettingolie bij tot de tank bijna helemaal vol is.
  4. Voorkom dat er vuil in de olietank komt, plaats de olievuldop terug en draai de dop rechtersom vast tot deze handvast zit.

**!** Het is belangrijk om een smeermiddel voor zaagbladen en kettingen (geen auto-olie) te gebruiken dat is samengesteld om te presteren over een breed temperatuurbereik zonder dat verdunning nodig is. Deze is verkrijgbaar op de locatie op de locatie waar u deze zaag hebt gekocht of bij uw plaatselijke bouwmarkt. Gebruik geen vuile, gebruikte of anderszins verontreinigde oliën. Het zaagblad of de ketting kan beschadigd raken. Bij gebruik van niet-goedgekeurde zaagblad- en kettingolie vervalt de garantie. Houd zaagbladolie buiten het bereik van kinderen. Raadpleeg bij inslikken onmiddellijk een arts. Bewaar buiten bereik van hitte of open vuur.



## BEDIENING

### De stokzaag starten



1. Druk eerst de veiligheids ontgrendelingshendel naar voren, knijp vervolgens in en houd de

gashendeltrekker ingedrukt om de machine te starten.

**NOTITIE:** Meer details zijn te vinden in de handleiding van de aandrijfmotor.

### ZAGEN

**!** **BELANGRIJK:** Controleer de olietank regelmatig. Controleer de spanning van de recent vervangen ketting telkens wanneer u het accupakket vervangt.

- (1) Installeren van het accupack in de machine.
- (2) Laat de ketting tijdens het gebruik niet in contact komen met de grond, want dit zal de ketting bot maken.
- (3) Gebruik beide handen om de zaag vast te houden.
- (4) Zorg ervoor dat u stevig staat. Houd de voeten op schouderbreedte uit elkaar. Verdeel uw gewicht gelijkmatig over beide voeten.
- (5) Wanneer u klaar bent om een zaagsnede te maken, volgt u de bovenstaande startprocedures en snelheidsselectie. Dit zal de zaag inschakelen. Als u de trekker loslaat, wordt de zaag uitgeschakeld. Zorg ervoor dat de zaag op volle snelheid draait voordat u met zagen begint.
- (6) Plaats de bewegende ketting langzaam tegen het hout wanneer u met zagen begint. Het hout moet zo dicht mogelijk bij de snoekop zijn. Houd de zaag stevig op zijn plaats om mogelijk stuiten of schuiven (zijwaartse beweging) van de zaag te voorkomen.
- (7) Geleid de zaag met lichte druk en oefen geen overmatige kracht uit op de zaag; laat de zaag zijn werk doen. De motor raakt overbelast en kan doorbranden. Het zal het werk beter en veiliger doen in het tempo waarvoor het bedoeld was.
- (8) Verwijder de zaag van een zaagsnede terwijl de zaag op volle snelheid draait. Stop de zaag. Zorg ervoor dat de ketting is gestopt voordat u de zaag neerzet.
- (9) Oefen op afvalhout in een veilige werkomgeving totdat u zich op uw gemak voelt en gebruik een vloeiende beweging en een gelijkmatige zaagsnelheid.

### TERUGSLAGVEILIGHEIDSVORZIENINGEN OP DEZE ZAAG

Deze zaag heeft een ketting met een lage terugslag en een kettinggeleider met verminderde terugslag. Beide items verminderen de kans op terugslag. Er kan echter nog steeds wat terugslag optreden met deze zaag.

Ter voorkoming van zaagterugslag.

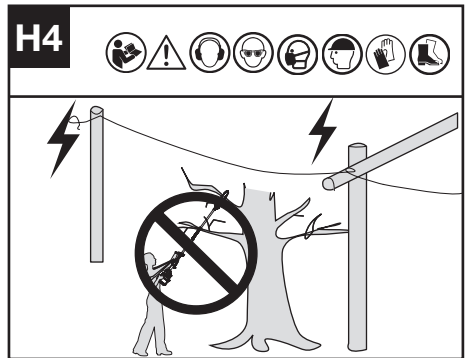
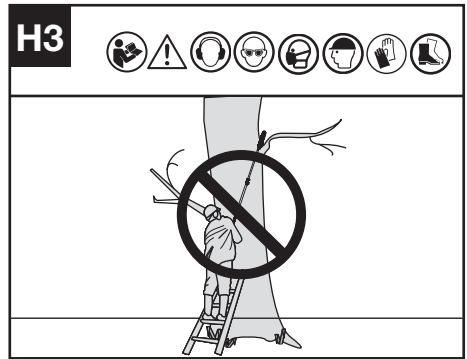
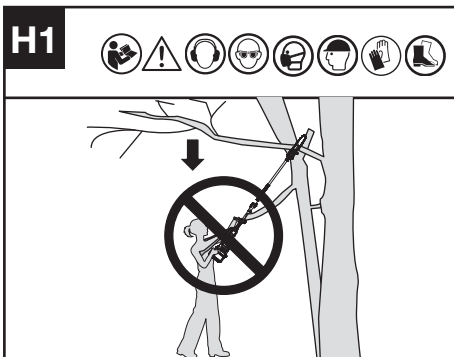
- Gebruik beide handen om de zaag vast te houden terwijl de zaag draait. Gebruik een stevige grip.
- Houd alle veiligheidsvoorzieningen op hun plaats op de zaag. Zorg ervoor dat ze goed werken.
- Zorg ervoor dat u te allen tijde stevig staat en uw evenwicht bewaart.
- Ga iets links van de zaag staan. Dit voorkomt dat uw lichaam in directe lijn staat met de ketting.
- Laat de neus van het zaagblad niets raken wanneer de ketting beweegt.



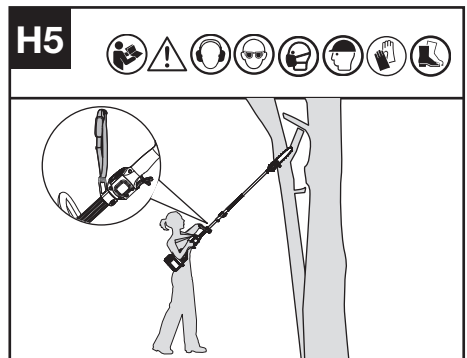
- Graaf de neus van het zaagblad niet in en probeer niet in te vallen (boren in hout met de neus van het zaagblad).
- Let op verschuivend hout of andere krachten die de ketting kunnen afklemmen.
- Wees uiterst voorzichtig bij het opnieuw binnengaan van een eerdere zaagsnede.
- Gebruik alleen de ketting met laag terugslagrisico en het zaagblad die bij deze stokzaag zijn geleverd of aanbevolen.
- Gebruik nooit een botte of losse ketting. Houd de ketting scherp met de juiste spanning.

## HET SNOEIEN VAN HOGE TAKKEN

1. Installeer het accupack in de machine.
2. Voordat u een hoge tak snoeit, moet u speciale aandacht besteden aan de waarschijnlijke richting van de vallende tak. **WAARSCHUWING:** Ga niet recht onder een tak staan die wordt gesnoeid. Houd omstanders ver uit de buurt. Ga niet op een ladder of ander soort instabiele ondersteuning staan terwijl u het gereedschap gebruikt. Gebruik het gereedschap niet in de buurt van kabels, elektriciteitskabels of telefoonlijnen. Houd 3 m afstand van elektriciteitsleidingen. (Zie afb. H1-H4)



3. Gebruik beide handen om de stokzaag vast te pakken en takken door te zagen.



**EEN BOOM MET DE ZAAG BEWERKEN (SNOEIEN)**  
**WAARSCHUWING:** Voorkom terugslag. Terugslag kan ernstig letsel of de dood tot gevolg hebben. Zie Terugslag om het risico op terugslag te voorkomen.

**WAARSCHUWING:** Gebruik de stokzaag niet

- in een boom
  - op een ladder of een ander instabiel oppervlak
  - in welke moeilijke positie dan ook
- U** kunt de controle over de stokzaag verliezen, wat

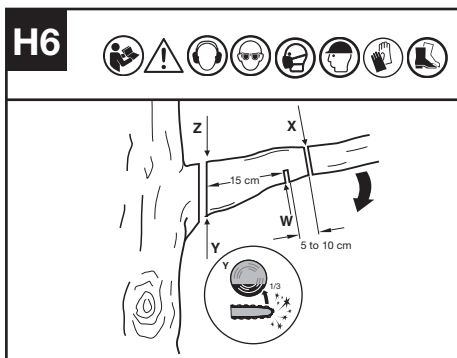
## ernstig letsel kan veroorzaken.

**VOORZICHTIG: Zoek professionele hulp als u in omstandigheden bent die uw vermogens te boven gaan.**

Een boom snoeien betreft het proces waarbij takken van een levende boom worden gesnoeid. Zorg dat u een stabiele positie aanneemt. Zet de voeten op schouderbreedte uit elkaar. Verdeel uw gewicht gelijkmatig over beide voeten.

Volg onderstaande aanwijzingen om een boom te snoeien.

1. Maak de eerste zaagsnede een paar centimeter (c) van de boomstam aan de onderkant van de tak. Gebruik de bovenkant van het zaagblad om deze zaagsnede te maken. Zaag 1/3 van de diameter van de tak door (zie afb. H6).



2. Verplaats een paar centimeter (30 % van c) verder omhoog op de tak. Maak de tweede zaagsnede van bovenaf op de tak. Ga door met zagen totdat u de tak hebt afgezaagd.
3. Maak de derde zaagsnede zo dicht mogelijk bij de boomstam om de resterende stomp volledig af te zagen. Gebruik de onderkant van het zaagblad om deze snede te maken.

## VOOR GEREEDSCHAP MET ACCU'S

De aanbevolen omgevingstemperatuur voor het ontladen is -20 °C~45 °C.

De aanbevolen omgevingstemperatuur voor het laadsysteem tijdens het opladen ligt tussen -5 °C en 45 °C .

## VERVOER

### De stokzaag transporteren

1. Schakel de stokzaag uit en verwijder de accu.
2. Bij het transport van uw stokzaag met de hand, moet u de stok van de stokzaag vasthouden en ervoor zorgen dat de machine parallel aan de grond wordt gehouden en het zaagblad naar achteren is gericht.
3. Bij transport van uw stokzaag in een voertuig, moet u deze vastzetten en positioneren om

beweging of schade te voorkomen.

## ZAAG ONDERHOUD

Volg de onderhoudsinstructies in deze handleiding. Goed schoonmaken en onderhouden van zaag, ketting en zaagblad kan de kans op slijtage verminderen. Inspecteer en onderhoud de zaag na elk gebruik. Dit zal de levensduur van uw zaag verlengen. Als de zaag tijdens het gebruik nat wordt in de regen, moeten de machine en het accupack worden gedroogd voordat ze worden opgeborgen of opgeladen.

## ONDERHOUD EN OPSLAG VAN DE STOKZAAG

### 1. Verwijder het accupack

- Wanneer de zaag niet in gebruik is
- Alvorens de zaag van de ene plaats naar de andere te verplaatsen
- Voordat er onderhoud aan de zaag wordt uitgevoerd
- Voordat accessoires of hulpstukken, zoals zaagketting en zaagblad, worden verwisseld

### 2. Inspecteer de stokzaag vóór en na elk gebruik.

Controleer goed of de bescherming of een ander onderdeel beschadigd is. Controleer op schade die de veiligheid van de gebruiker of de werking van de zaag kan beïnvloeden. Controleer op uitlijning of vastzitten van bewegende delen. Controleer op kapotte of beschadigde onderdelen. Gebruik de stokzaag niet als schade de veiligheid of de werking beïnvloedt. Laat de schade repareren door een erkend servicecentrum.

### 3. Onderhoud de stokzaag met zorg.

- Houd de ketting scherp, schoon en gesmeerd voor betere en veiligere prestaties.
- Volg de stappen in deze handleiding om de ketting te slijpen.
- Houd de handgrepen droog, schoon en vrij van olie en vet.
- Houd alle schroeven en moeren goed vastgedraaid.

### 4. Gebruik bij onderhoud alleen identieke vervangingsonderdelen.

### 5. Berg de stokzaag altijd op als deze niet wordt gebruikt

- op een hoge of afgesloten plaats, buiten het bereik van kinderen
- op een droge plaats
- met de beschermhoes geplaatst

## ONDERHOUD VAN DE GELEIDER

Voor een maximale levensduur van de geleider is het volgende onderhoud aanbevolen.

De geleiderrails die de ketting dragen moeten worden schoongemaakt voordat u het gereedschap opbergt of als de geleider of ketting vuil lijken.

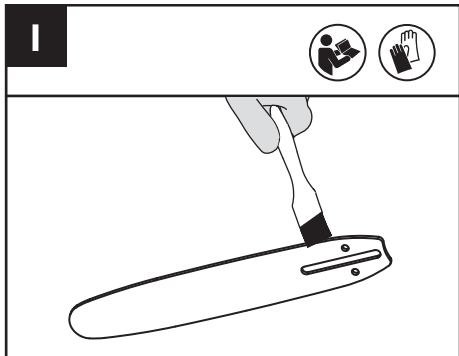
De rails moeten elke keer wanneer de ketting wordt verwijderd, worden gereinigd.

Af en toe kan het nodig zijn om de rails van het

zaagblad te ontbramen met een platte vijl

## DE GELEIDERRAILS REINIGEN

1. Verwijder de kettingafdekking en de staaf en ketting. (zie hoofdstuk MONTAGE)
2. Gebruik een draadborstel, schroevendraaier of een soortgelijk geschikt gereedschap, verwijderd u de resten van de rails van de geleider. (Zie afb. I)
3. Zorg dat u alle oliedoorgangen grondig reinigt.



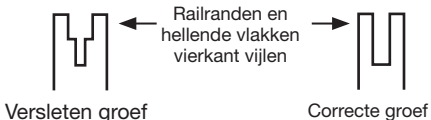
## OMSTANDIGHEDEN DIE ONDERHOUD VAN KETTING EN GELEIDESTAAF VEREISSEN:

- De zaag zaagt aan één zijde of in een hoek.
- De zaag moet door de inkeping worden geforceerd.
- Onvoldoende toevoer van olie naar de geleider en ketting.

Controleer de toestand van de geleiderstaaf telkens wanneer de ketting wordt geslepen. Een versleten geleiderbalk zal de ketting beschadigen en het zagen moeilijk maken.

Na elk gebruik moet u al het zaagstof van de geleiderstaaf en de geleideopening verwijderen terwijl het gereedschap is losgekoppeld van de voedingsbron.

Wanneer de bovenkant van de rail oneffen is, gebruikt u een platte vijl om vierkante randen en zijkanten te herstellen.



Vervang de geleiderbalk wanneer de groef versleten is, de geleiderstaaf gebogen of gebarsten is of wanneer een overmatige verhitting of afbraming van de rails optreedt. Als vervanging nodig is, gebruik dan alleen de geleidebalk die is gespecificeerd voor uw zaag in de onderdelenlijst voor reparatie of op de sticker op de stokzaag.

## ZAAGKETTING EN ZWAARD VERVERGEN

## OF KEREN

Vervang de ketting als de snijkanten te ver versleten zijn om nog geslepen te kunnen worden en als de ketting breekt. Gebruik uitsluitend de vervangingsketting die genoemd is in deze handleiding.

Inspecteer het zwaard voor u de ketting slijpt. Een versleten of beschadigd zwaard is onveilig en maakt het zagen moeilijker.

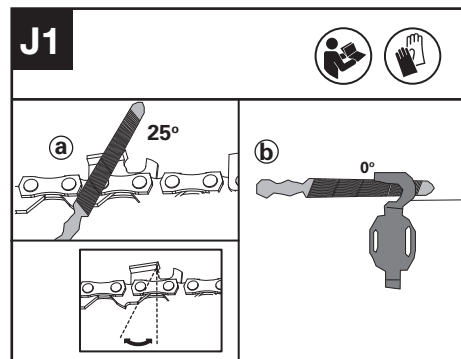
## SLIJPEN VAN DE ZAAGKETTING



**WAARSCHUWING:** Verwijder de batterij uit de zaag vooraleer te herstellen. Ernstige verwondingen en de dood kunnen resulteren door elektrische schokken of doordat het lichaam in contact komt met de bewegende ketting.

De snijranden van de zaagketting zijn scherp. Gebruik handschoenen als u de ketting hanteert. Houd snijdend gereedschap schoon en scherp. De zaag werkt dan sneller en veiliger. Een botte zaag veroorzaakt ontijdige slijtage aan het tandwiel, het zwaard, de ketting en de motor. Als u de zaag met kracht in het hout moet duwen, terwijl er alleen zaagsel wordt geproduceerd en geen grote brokken, dan is de zaag bot.

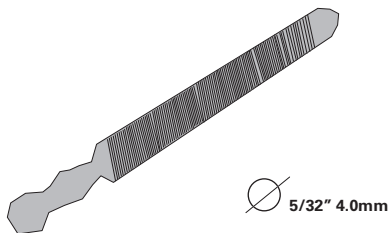
Let voor het slijpen op de volgende stappen: (Zie afb. J1)



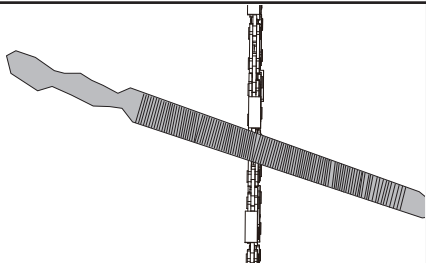
a: Vijlhoek; b: vijlpositie.

## Hoe de tanden te slijpen

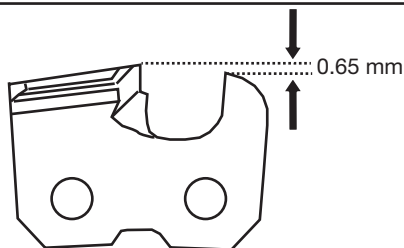
1. Maak een ronde vijl klaar om de ketting te slijpen. (Zie afb. J2). **OPMERKING:** Klem het zaagblad stevig in een bankschroef voordat u de ketting slijpt. Zorg ervoor dat de ketting niet "geklemd" is en vrij kan bewegen op het zaagblad. Controleer of de ketting goed gespannen is. (Zie het hoofdstuk "Ketting spannen")

**J2**

2. Slijp de snijtanden met een vijl vanaf de binnenkant van de snijtanden naar de buitenkant van de ketting (Zie afb. J3).

**J3**

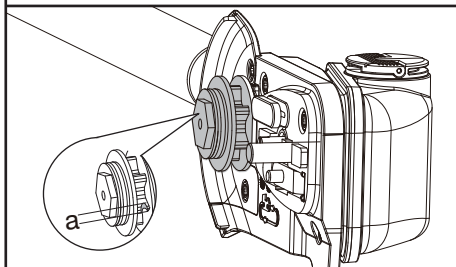
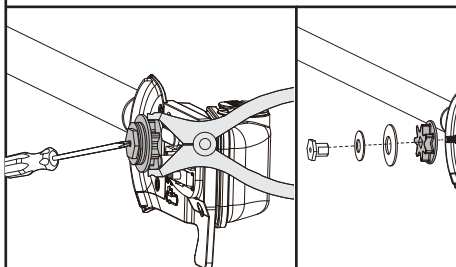
3. Vijl alle snijtanden aan één kant van het zaagblad.  
4. Draai de kettingzaag om en vijl alle snijtanden aan de andere kant.  
5. Zorg ervoor dat de lengte van alle snijtanden gelijk is. Om efficiënt, veilig en soepel te kunnen zagen, vijlt u de hoogte van de dieptemeter bij tot 0.65mm. Zorg ervoor dat de voorrand van de dieptemeter is afgerond (Zie afb. J4)

**J4**

## HET KETTINGTANDWIEL INSPECTEREN EN ONDERHOUDEN

**!** **WAARSCHUWING:** Vóór de controle moet de kettingzaag worden uitgeschakeld en moet de accu worden verwijderd.

1. Verwijder de afdekking van het aandrijftandwiel, de zaagketting en het zaagblad.
2. Controleer of de slijtagesporen dieper zijn dan  $a=0,5$  mm zoals getoond in afb. S1. Als dat het geval is, moet het kettingtandwiel worden vervangen. (Zie afb. K1)
3. Wanneer u het kettingtandwiel vervangt, moet u met een tang het tandwiel onder controle houden en gebruikt u een schroevendraaier om de moer los te draaien en het tandwiel terug te plaatsen. (Zie afb. K2)

**K1****K2**

## REINIGEN

1. Schakel de stokzaag uit en verwijder de accu.
2. Gebruik geen agressieve schoonmaakmiddelen of oplosmiddelen. Maak de machine na gebruik schoon met een vochtige doek gedrenkt in een mild schoonmaakmiddel.
3. Houd de accuaansluiting vrij van vuil en stof en

- reinig deze met een zachte, droge borstel of doek.
4. Spreek geen water op de motor en elektrische onderdelen.
  5. Gebruik geen hogedrukreiniger om uw machine schoon te maken.

## OPSLAG

1. Verwijder het accupack uit de stokzaag voordat u deze opbergt.
2. Berg de stokzaag en de accu op een droge en veilige plaats op die ontoegankelijk is voor kinderen en andere onbevoegde personen.
3. Als de machine en de accu tijdens het gebruik nat zijn geworden in de regen, moeten ze worden gedroogd voordat ze worden opgeborgen of opgeladen. Verwijder de accu en plaats deze opnieuw als de machine niet inschakelt.

## PROBLEMEN OPLOSSEN

Als het elektrische gereedschap niet goed werkt, vindt u in de volgende tabel informatie over foutsymptomen, mogelijke oorzaken en oplossingen. Neem contact op met een servicewerkplaats als u hiermee het probleem niet kunt verhelpen.

 **LET OP: Schakel het elektrische gereedschap uit en verwijder de accu voordat u het gereedschap op storingen onderzoekt.**

Symptoom	Mogelijke oorzaak	Oplossing
De staaftaag kan niet worden bediend	Accu leeg	Maak de dop schoon
Rod zag intermitterende werking	Oververhitting	Plaats de machine op een koele, geventileerde ruimte om af te koelen.
	Te hard drukken tijdens het zagen	Gebruik minder drukkracht bij het zagen.
	Loszittende verbinding	Contact op met een servicewerkplaats
	Intern los contact	
	Aan/uit-trekker defect	
Zaagketting droog	Geen olie in de olietank.	Vul olie bij
	Ontluchting in olievuldop verstopt	Reinig de oliedop
	Olieafvoerkanaal verstopt	Maak het olieafvoerkanaal vrij.
Ketting of geleidingsaal heet	Geen olie in de olietank	Vul olie bij
	Ontluchting in olievuldop verstopt	Reinig de oliedop
	Olieafvoerkanaal verstopt	Maak het olieafvoerkanaal vrij.
	Kettingspanning te hoog	Stel de kettingspanning in.
	Ketting bot	Slijp de ketting of vervang deze
Extreme zaagscheur, trilling, zaag is niet correct	Kettingspanning te los.	Stel de kettingspanning in
	Ketting bot.	Slijp de ketting of vervang deze
	Ketting versleten.	Vervang de ketting
	Zaagtanden wijzen in de verkeerde richting	Monteer de zaagketting opnieuw met de tanden in de juiste richting

## TECHNISCHE GEGEVENS

KAC361

Zwaardlengte	25 cm
Kettingsnelheid	Hoog: 17 m/s Laag: 13 m/s
Inhoud olievoorraadreservoir	160 ml
Kettingmaat	3/8" LP
Kettingmaat	1.1 mm
Beschermingsgraad	IPX4
Gewicht	1.8 kg

## COMBINATIES VAN ZAAGHULPSTUKKEN

### Zaaghulpstuk


KAC333-10"/25cm 0.043"/1.1mm 3/8 LP Balk

KAC302-10"/25cm 0.043"/1.1mm 3/8 LP Ketting

KAC335-12"/30cm 0.043"/1.1mm 3/8 LP Balk

KAC304-12"/30cm 0.043"/1.1mm 3/8 LP Ketting

## INFORMATIE MET VERLENGINGSAS (KAC360) GELUIDSPRODUCTIE

A-gewogen geluidsdruk	$L_{pA} = 79 \text{ dB(A)}$ $K_{pA} = 3,0 \text{ dB(A)}$
A-gewogen geluidsniveau	$L_{wA} = 94,1 \text{ dB(A)}$ $K_{wA} = 1,1 \text{ dB(A)}$
Draag oorbescherming.	

## TRILLINGSGEGEVENS

Totale trillingswaarden (triax vector-som) volgens EN ISO 11680-1.

Trillingsemisiewaarde	$a_h = 1,3 \text{ m/s}^2$
	Onzekerheid $K = 1,5 \text{ m/s}^2$

## INFORMATIE ZONDER VERLENGINGSAS GELUIDSPRODUCTIE

A-gewogen geluidsdruk	$L_{pA} = 82 \text{ dB(A)}$ $K_{pA} = 3,0 \text{ dB(A)}$
A-gewogen geluidsniveau	$L_{wA} = 93 \text{ dB(A)}$ $K_{wA} = 1,5 \text{ dB(A)}$
Draag oorbescherming.	

# TRILLINGSGEGEVENS

Totale trillingswaarden (triax vector-som) volgens EN ISO 11680-1.

	$a_1 = 1,87 \text{ m/s}^2$
Trillingsemisssiewaarde	Onzekerheid $K = 1,5 \text{ m/s}^2$


De opgegeven totale trillingswaarde kan worden gebruikt om een gereedschap met een ander te vergelijken en kan ook dienen als een voorlopige beoordeling van de blootstelling.

**!** **WAARSCHUWING:** De trillingsemisssiewaarde tijdens het feitelijke gebruik van dit elektrisch gereedschap kan afwijken van de opgegeven waarde, afhankelijk van de wijze waarop het gereedschap wordt gebruikt, zoals in de volgende voorbeelden: Hoe het gereedschap wordt gebruikt en welk materiaal wordt gesneden of geboord. Of het gereedschap in goede staat verkeerd en correct wordt onderhouden. Gebruik van de juiste toebehoren voor het gereedschap en of deze scherp zijn en in goede staat verkeren. De stevigheid van de grip op de handgrepen en het eventuele gebruik van antivibratie-accessoires. En of het gereedschap wordt gebruikt waarvoor het ontworpen is en in overeenstemming met deze instructies.

**Dit gereedschap kan een trillingsyndroom in de handen en armen veroorzaken als het niet op de juiste wijze gehanteerd wordt.**

**!** **WAARSCHUWING:** Voor de nauwkeurigheid moet bij een schatting van het blootstellingsniveau in de feitelijke gebruiksomstandigheden rekening worden gehouden met alle delen van de bedrijfscyclus, zoals het moment waarop het gereedschap wordt uitgeschakeld en terwijl het gereedschap in werking is zonder daadwerkelijk gebruikt te worden. Dit kan het blootstellingsniveau over de totale werkperiode aanzienlijk verminderen. Help de blootstelling aan trillingen te minimaliseren. Gebruik **ALTIJD** scherpe beitels, boren en messen. Onderhoud het gereedschap in overeenstemming met deze instructies en houd het goed gesmeerd (indien van toepassing). Schaf antivibratie-accessoires aan wanneer u het gereedschap geregeld gebruikt. Plan de werkzaamheden zodat de taken met veel trillingen over een aantal dagen verspreid worden.

## BESCHERMING VAN HET MILIEU

 Afgedankte elektrische producten mogen niet bij het normale huisafval terechtkomen. Breng deze producten waar mogelijk naar een

recyclecentrum bij u in de buurt. Vraag de verkoper of de gemeente informatie en advies over het recyclen van elektrische apparatuur.

## CONFORMITEITVERKLARING

WIJ,  
Positec Germany GmbH  
Postfach 680194, 50704 Cologne, Germany

Namens Positec verklaar ik dat het product  
**Beschrijving:** Stokzaag op accu  
**Type:** KAC361 (361 - aanduiding van machines, representatief voor stokzaag)  
**Functie:** Het snoeien van hoge takken

Voldoet aan de volgende richtlijnen:  
**2006/42/EC, 2014/30/EU, 2011/65/EU & (EU)2015/863, 2000/14/EC gewijzigd door 2005/88/EC**

De betrokken aangemelde instantie  
Naam: Intertek Deutschland GmbH (aangemelde instantie 0905)  
Adres: Stangenstraße 1, 70771 LEINFELDEN-ECHTERDINGEN  
Certificaatnr.: 24SHW0160

### Informatie met verlengingsas (KAC360)

2000/14/EC gewijzigd door 2005/88/EC:  
- Procedure beoordeling conformiteit volgens Annex V  
- Niveau gemeten geluidsvermogen 94 dB(A)  
- Opgegeven, gegarandeerde niveau geluidsvermogen 96 dB(A)

### Informatie zonder verlengingsas

2000/14/EC gewijzigd door 2005/88/EC:  
- Procedure beoordeling conformiteit volgens Annex V  
- Niveau gemeten geluidsvermogen 93 dB(A)  
- Opgegeven, gegarandeerde niveau geluidsvermogen 95 dB(A)

Normen voldoen aan:  
**EN 62841-1, EN ISO 11680-1, EN ISO 3744, EN IEC 55014-1, EN IEC 55014-2, EN IEC 63000**

De persoon die bevoegd is om het technische bestand te compileren,  
**Naam Marcel Filz**  
**Adres Positec Germany GmbH**  
**Postfach 680194, 50704 Cologne, Germany**



2024/01/26  
Allen Ding  
Plaatsvervangend Chief Ingenieur, Testen en Certificering  
Positec Technology (China) Co., Ltd.  
18, Dongwang Road, Suzhou Industrial Park, Jiangsu 215123, P. R. China



# TARTALOMJEGYZÉK

Bevezető.....	120
Az alkatrészek listája.....	121
Termékbiztonság.....	122
Összeszerelés és működés.....	125
Kenés.....	128
Működés.....	128
Szállítás.....	130
A fűrész karbantartása.....	130
Tisztítás.....	133
Tárolás.....	133
<b>HU</b> Hibaelhárítás.....	133
Műszaki adatok.....	134
Megfelelőségnyilatkozat.....	135

## BEVEZETŐ

Tisztelt Vásárló!

Köszönjük, hogy megvásárolta ezt a Kress Commercial terméket. Elkötelezettek vagyunk az Ön ipari tájépítészeti igényeinek megfelelő, kiváló minőségű termékek kifejlesztése iránt.

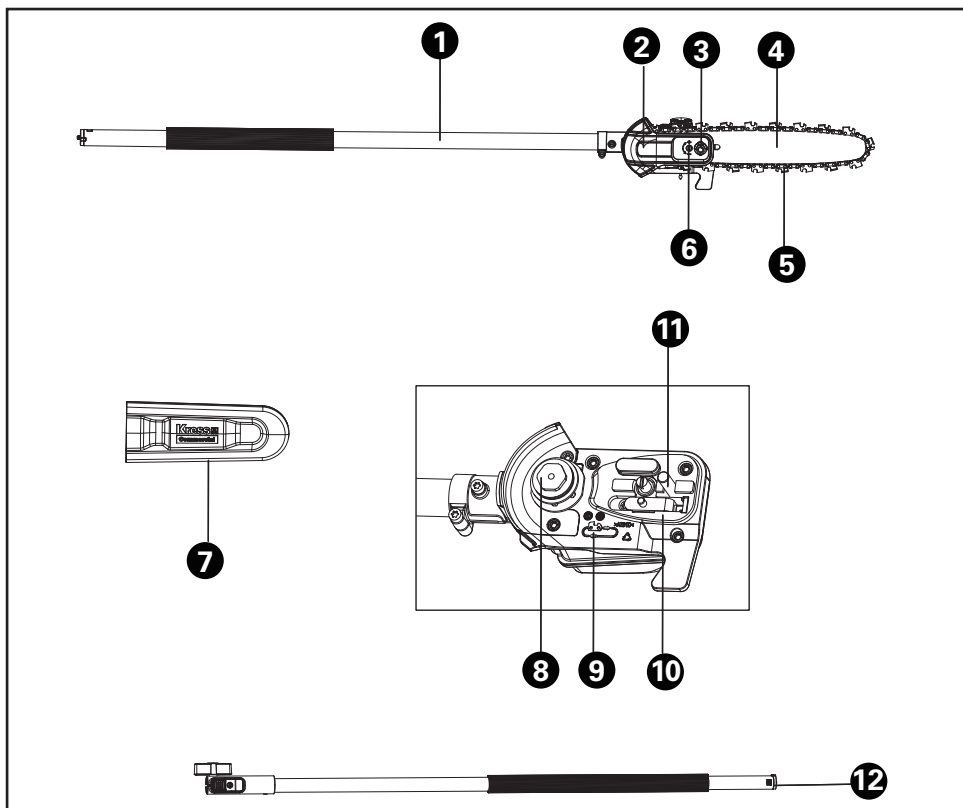
A Kress márka egyet jelent a prémium minőségű szolgáltatással. A termék élettartama során, ha bármilyen kérdése vagy aggálya merülne fel a termékkel kapcsolatban, kérjük, forduljon kereskedőjéhez vagy ügyfélszolgálati csapatunkhoz segítségért.

Biztosak vagyunk benne, hogy hosszú éveken át élvezni fogja Kress termékének használatát.

## RENDELTETÉSSZERŰ HASZNÁLAT

KAC104 - motoros fejjel együtt használható, ez a rúdfűrész az ágak metszésére és visszavágására lett tervezve a karok hosszán túl. Minden vágásnak a fa rostjaihoz kell keresztbe törtennie. Ez a termék kizárólag fa vágására szolgál.





## AZ ALKATRÉSZEK LISTÁJA

- |     |                           |
|-----|---------------------------|
| 1.  | TENGYELY                  |
| 2.  | HAJTÓMŰ BORÍTÁS           |
| 3.  | HATSZÖGLETŰ ANYA          |
| 4.  | VEZETŐSÍN                 |
| 5.  | FŰRÉSZLÁNC                |
| 6.  | LÁNCFESZÍTŐ CSAVAR        |
| 7.  | VÉDŐTOK                   |
| 8.  | HAJTÓMŰ FOGASKERÉK        |
| 9.  | LÁNCIRÁNY SZIMBÓLUM       |
| 10. | LÁNCVEZETŐ TÁMASZTÓ       |
| 11. | LÁNCVEZETŐ RÖGZÍTŐ CSAVAR |
| 12. | HOSSZABBÍTÓSZÁR *         |

\* Nem minden gép tartalmazza az összes, a fentiekben felsorolt alkatrészt.

# EREDETI HASZNÁLATI UTASÍTÁS TERMÉKBIZTONSÁG ELEKTROMOS KÉZISZERSZÁMOK BIZTONSÁGOS HASZNÁLATÁVAL KAPCSOLATOS ÁLTALÁNOS FIGYELMEZTETÉSEK

**!** FIGYELEM: Olvassa el az összes, ehhez az elektromos kéziszerszámhoz mellékelt biztonsági figyelmeztetést, utasítást és részletes ismertetést, illetve tekintse meg az ábrákat. Az alább felsorolt utasítások bármelyikének figyelmen kívül hagyása áramütést, tüzet és/vagy súlyos testi sérüléseket eredményezhet.

**Őrizzen meg az összes figyelmeztetést és utasítást, a jövőben szüksége lehet ezekre.**

A figyelmeztetéseken használatos "elektromos kéziszerszám" kifejezés az ön hálózatról üzemeltetett (vezetékes) elektromos kéziszerszámára vagy akkumulátoros (vezeték nélküli) elektromos kéziszerszámára vonatkozik.

## 1) A munkaterület biztonsága

- a) A munkaterületet tartsa tisztán és jól megvilágítva. A zsúfolt vagy sötét munkaterület balesethez vezethet.
- b) Ne üzemeltessen elektromos kéziszerszámot robbanékony légkörben, például gyúlékony folyadékok, gázok vagy por jelenléte mellett. Az elektromos kéziszerszámok használata során szikrák keletkeznek, amelyek hatására a por vagy gáz kigyulladhat.
- c) **Elektromos kéziszerszámok működtetése közben tartsa távol a gyermekeket és bámészködőket.** A figyelem elterelése kontrollvesztést eredményezhet.

## 2) Elektromos biztonság

- a) Az elektromos kéziszerszámok csatlakozó dugaszának találnia kell a csatlakozó aljzathoz. Soha, semmilyen módon ne módosítsa a csatlakozó dugaszt. Földelt elektromos kéziszerszámokkal ne használjon adaptert. Ha eredeti, módosítatlan csatlakozó dugaszt és megfelelő csatlakozó aljzathoz használ, azzal csökkenti az áramütés kockázatát.
- b) Ne érintse meg a földelt felületeket, például csöveket, radiátorokat, tűzhelyeket vagy hűtőszekrényeket. Ha a test földelt, nagyobb az áramütés kockázata.
- c) Ne üzemeltesse a gépet esőben vagy nedves körülmények között. Ez növelheti az áramütés veszélyét. Ha működés közben

az eső miatt nedves lett, a gépet és az akkumulátort tárolás vagy töltés előtt meg kell szárítani. Vegye ki az akkumulátort, és helyezze vissza, ha a készülék nem kapcsol be. Tartsa az akkumulátor csatlakozóját szennyeződésektől és törmelégektől mentesen, és puha és száraz kefével vagy ruhával tisztítsa meg.

- d) **Vigyázzon a szerszám kábelére. Soha ne hordozza, húzogassa vagy húzza ki az áramból az elektromos kéziszerszámot a kábelnél fogva. A kábelt tartsa távol a hőtől, olajtól, éles peremektől vagy mozgó részekről. A sérült vagy összegubancolódott kábel növeli az áramütés kockázatát.**
  - e) **Ha az elektromos kéziszerszámot szabadtérben üzemelteti, használjon külső használatra alkalmas hosszabbítót. A külső használatra alkalmas kábel használatával csökken az áramütés kockázata.**
  - f) **Ha elkerülhetetlen, hogy az elektromos kéziszerszámot nedves helyen működtesse, használjon maradékáram-működtetésű megszakító (RCD) védelemmel rendelkező áramforrást. A maradékáram-működtetésű megszakító használata csökkenti az áramütés kockázatát.**
- ## 3) Személyi biztonság
- a) **Az elektromos kéziszerszám működtetése közben maradjon éber, figyeljen arra, amit csinál, és használja a józan esztét. Ne működtesse az elektromos kéziszerszámot fáradtan, illetve gyógyszerek, alkohol vagy drogok hatása alatt áll. Egy pillanatnyi figyelmetlenség az elektromos kéziszerszámok működtetése közben súlyos sérülésekhez vezethet.**
  - b) **Használjon személyi védőfelszereléseket. Mindig használjon szemvédelmet. A személyi védőfelszerelés, például pormaszk, csúszásmentes biztonsági lábbeli, védősisak vagy szükség esetén hallásvédelem használatával csökkenthető a személyi sérülések kockázata.**
  - c) **Kerülje el, hogy a szerszám véletlenül működésbe lépjen. Mielőtt az elektromos kéziszerszámot áramhoz csatlakoztatná, behelyezné az akkumulátort, felemelné vagy költöztetné a szerszámot, ellenőrizze hogy a kapcsoló a "ki" helyzetbe legyen állítva. Ha a szerszám hordozásakor újat a kapcsolón tartja, vagy áram alá helyezi a bekapcsolt készüléket, az balesetekhez vezethet.**
  - d) **Mielőtt az elektromos kéziszerszámot bekapcsolná, távolítson el róla minden állítókulcsot. Ha az elektromos kéziszerszám forgórészein állítókulcs marad, az személyi sérüléshez vezethet.**
  - e) **Ne próbáljon túl messzire nyúlni. Mindig vigyázzon, hogy stabilan álljon, és őrizze meg egyensúlyát. Ez segít, hogy váratlan helyzetekben urálja az elektromos kéziszerszámot.**
  - f) **Viseljen megfelelő öltözetet. Ne viseljen bő**

ruházatot vagy hosszú ékszert. Tartsa távol a haját és ruházatát a mozgó alkatrészekről. A bő ruházatot, hosszú ékszert vagy hosszú haját bekapathatják a mozgó elemek.

- g) **Ha a szerszámhoz porszívó vagy -gyűjtő is csatlakoztatható, gondoskodjon ezek megfelelő csatlakoztatásáról és használatáról.** A porgyűjtő használatával csökkenthetőek a porral kapcsolatos kockázatok.
- h) **Ne hagyja, hogy a szerszám gyakori használata túl elbizakodottá tegye, és hogy ezáltal figyelmen kívül hagyja a szerszám biztonsági követelményeit.** A másodperc töredéke is elég ahhoz, hogy egy figyelmetlen mozdulat súlyos sérüléshez vezessen.
- 4) **Az elektromos kéziszerszám használata és karbantartása**
- a) **Ne erőltesse az elektromos kéziszerszámot. Mindig megfelelő elektromos kéziszerszámot használjon.** Ha a megfelelő elektromos kéziszerszámot használja, azzal a rendeltetési területén jobban és biztonságosabban elvégezhető a munka.
- b) **Ne használja az elektromos kéziszerszámot, ha azt nem lehet kikapcsolni.** Ha egy elektromos kéziszerszám nem szabályozható a kapcsolóval, az veszélyes, és javításra szorul.
- c) **Húzza ki a csatlakozó dugaszt az áramellátást biztosító aljzataból, és/vagy távolítsa el a kivehető akkucsomagot a szerszámból, ha beállításokat vagy tartozékcsere-t hajt végre, vagy ha a szerszámot elraktározza.** Ezekkel a megelőző biztonsági intézkedésekkel csökken annak a kockázata, hogy a kéziszerszám véletlenül bekapcsoljon.
- d) **Az elektromos kéziszerszámokat használaton kívül tartsa a gyermekektől távol, és ne hagyja, hogy a szerszámot vagy ezeket az utasításokat nem ismerő személyek működtessék azt.** A tapasztalatlan felhasználók kezében az elektromos kéziszerszámok veszélyessé válnak.
- e) **Az elektromos kéziszerszámok és tartozékaik karbantartása. Ellenőrizze, hogy a mozgó elemek megfelelően helyezkednek-e el és nem szorultak-e be, az alkatrészek épek, és semmilyen más hiba nincs kihatással az elektromos kéziszerszám működésére.** Ha sérülést talál, használat előtt javíttassa meg a szerszámot. A nem megfelelően karbantartott elektromos kéziszerszámok sok balesetet okoznak.
- f) **A vágószerszámokat tartsa tisztán, és figyeljen, hogy élesek maradjanak.** A megfelelően karbantartott, éles vágószerszámok ritkábban akadnak meg, és egyszerűbben irányíthatóak.
- g) **Az elektromos kéziszerszámot, a kiegészítőket és fejeket használja a fenti utasításoknak megfelelően, figyelembe véve a munkakörülményeket és az elvégzendő**

munkát. Ha az elektromos kéziszerszámot nem rendeltetészerűen használja, az veszélyhelyzetet teremthet.

- h) **Őrizze szárazon, tisztán, olaj- és zsírmentesen a szerszám fogantyúit és megragadási részeit.** A csúszós fogantyúk és megragadási részek főleg váratlan helyzetekben akadályozzák a szerszám biztonságos megfogását, kezelését és irányítását.
- 5) **Az akkumulátoros kéziszerszám használata és karbantartása**
- a) **Csak a gyártó által javasolt töltővel töltsse fel.** Ha egy adott akkumulátorhoz megfelelő töltőt másik akkumulátorral használ, az tűzveszélyes lehet.
- b) **Az elektromos kéziszerszámokat csak a kijelölt akkumulátorokkal használja.** Ha más akkumulátorokat használ, az sérülés- és tűzveszélyes.
- c) **Az akkumulátorokat használaton kívül tartsa a fémtárgyaktól, például gémkapcsoktól, pénzérméktől, kulcsoktól, szögektől, csavaroktól vagy más kis fémtárgyaktól távol, mert ezek összekapcsolhatják a pólusokat.** Az akkumulátor pólusainak rövidzárlata égés- és tűzveszélyes.
- d) **Nem megfelelő körülmények között az akkumulátorból folyadék szivároghat; kerülje az érintkezést ezzel a folyadékkal. Véletlen érintkezés esetén mossa le vízzel. Ha a folyadék szembe kerül, mossa ki vízzel, és forduljon orvoshoz.** Az akkumulátorból szivárgó folyadék irritációt vagy égési sérülést okozhat.
- e) **Ne használjon károsodott vagy módosított akkucsomagot vagy szerszámot.** A károsodott vagy módosított akkucsomagok használata előreláthatatlan következményekkel jár, mert ezek felgyulladhatnak, felrobbanhatnak vagy személyi sérüléseket okozhatnak.
- f) **Óvja az akkucsomagot és a szerszámot a tűztől vagy a magas hőmérsékletektől.** A 130°C-t meghaladó hőmérséklet vagy tűz robbanást okozhat.
- g) **Tartsa be az összes újratöltési utasítást és az akkucsomagot vagy a szerszámot csak az utasításokban megadott hőmérsékleti tartományban töltsse újra.** Az előírásoktól vagy a megengedett hőmérsékleti tartománytól eltérő töltési folyamat az akkucsomag károsodását okozhatja, és növeli a tűzveszély kockázatát.
- 6) **Szerviz**
- a) **Az elektromos kéziszerszámot csak képzett szerelő javíthatja megfelelő cserealkatrészekkel.** Ez biztosítja az elektromos kéziszerszám biztonságos működését.
- b) **Soha ne szervizelje a károsodott akkucsomagokat.** A károsodott akkucsomagok szervizelését csak a gyártó vagy az erre felhatalmazott szervizközpont hajthatja végre.

# RÚDFŰRÉS Z BIZTONSÁGI FIGYELMEZTETÉS

1. Tartsa a rúdfűrész megfelelő távolságban a légszűrőtől.
2. Kérjük, vegye figyelembe a kezelési helyzet veszélyét, valamint annak esélyét, hogy leeső ágak vagy dudorok a földre ütközhetnek, és a kezelőt a földre ütközés után az eső ágak vagy az ütköző ágak sújthatják. Törölje az ágakat az egyes szakaszokból.
3. A kockázatok csökkentése miatt a gép használata közben a járókelőket biztonságos távolságra kell tartani a munkavégzés átvételétől.
4. Munkavégzés közben álljon szilárdan és biztos egyensúlyban a lábain. Használja a géphez mellékelt vállszíjat.
5. Munka közben használjon PPE-t, beleértve a hallást is védelem, szemvédelem (ellenző vagy szemüveg) és fejtűd és ruházat.

## AZ AKKUMULÁTORRAL KAPCSOLATOS BIZTONSÁGI FIGYELMEZTETÉSEK

- a) Az akkumulátort ne szedje szét, ne nyissa fel és ne vágja meg.
- b) Ne zárja rövide az akkumulátort. Az akkumulátorokat ne tárolja olyan dobozban vagy fiókban, ahol rövide zárhatják egymást, vagy valamilyen vezető anyag a rövidzárlatukat okozhatja. Az akkumulátorokat használaton kívül tartsa a fémtárgyaktól, például gemkapcsoktól, pénzérméktől, kulcsoktól, szögektől, csavaroktól vagy más kis fémtárgyaktól távol, mert ezek összekapcsolhatják a pólusokat. Az akkumulátor pólusainak rövidzárlata égés- és tűzveszélyes.
- c) Ne tegye ki hőnek vagy tűznek az akkumulátort. Ne tárolja közvetlen napfényben.
- d) Az akkumulátort ne tegye ki ütésnek.
- e) Ha az akkumulátor szivárog, vigyázzon, hogy a folyadék ne kerüljön a bőrre vagy szembe. Amennyiben a bőrre vagy szembe kerül, az érintett területet mossa le bő vízzel, és forduljon orvoshoz.
- f) Vigyázzon, hogy az akkumulátor tiszta és száraz maradjon.
- g) Ha az akkumulátor pólusaira szennyeződés kerül, azt egy tiszta, száraz ruhával törölje le.
- h) Az akkumulátort használat előtt fel kell tölteni. A töltést mindig az utasításoknak








megfelelően, helyes eljárást használva végezze.

- i) Használaton kívül ne hagyja töltőn az akkumulátort.
- j) Hosszan tartó tárolást követően a maximális teljesítmény elérése érdekében szükséges lehet, hogy az akkumulátort többször feltöltse és lemerítse.
- k) Csak a Kress által javasolt töltővel töltsse fel. Kizárólag a készülékhez való használatra mellékelt töltőt használja.
- l) Ne használjon a készülékkel való használatra tervezettől eltérő akkumulátort.
- m) Az akkumulátor gyermekektől távol tartandó.
- n) Őrizze meg a termékhez mellékelt utasításokat, a későbbiekben szükségére lehet ezekre.
- o) Amikor a szerszámot nem használja, vegye ki belőle az akkumulátort.
- p) Ártalmatlanításnál megfelelően járjon el.
- q) Ne helyezzen be különböző gyártóktól származó, illetve eltérő kapacitású, méretű vagy típusú akkukat a készülékbe.
- r) Tartsa távol az akkumulátort mikrohullámoktól és nagy nyomástól
- s) Figyelem! Ne használjon nem újratölthető elemeket.

MENTSE EL EZT A HASZNÁLATI UTASÍTÁST

## SZIMBÓLUMOK

	A sérülésveszély csökkentése érdekében a felhasználónak el kell olvasnia az utasításokat.
	Figyelmeztetés
	Viseljen fülvédőt
	Viseljen szemvédőt
	Viseljen pormaszkot
	Viseljen védősisakot
	Viseljen védőkesztyűt


	Viseljen védőlábbelit
	Tartson megfelelő távolságot az áramvezetékektől
	Lítium-ion akkumulátor. A terméken található szimbólum arra utal, hogy minden akkumulátorcsomagot külön kell gyűjteni. Ezeket aztán újrahasznosítják vagy szétszerelik, hogy csökkentsék a környezetre gyakorolt hatását. Az akkumulátorcsomag veszélyes lehet a környezetre és az emberi egészségre nézve, mivel veszélyes anyagokat tartalmaz.
	Ne dobja tűzbe.
	Az akkumulátor nem megfelelő leselejtezés esetén bekerülhet a víz körforgásba, ami veszélyes lehet az ökoszisztémára nézve. A hulladék akkumulátort ne dobja a kommunális hulladékkba.
	A leselejtezett elektromos készülékek nem dobhatók ki a háztartási hulladékkal. Ha van a közelben elektromos hulladék gyűjtő udvar, vigye oda a készüléket. Az újrahasznosítási lehetőségekről tájékozódjon a helyi hatóságoknál vagy a kereskedőnél.
	Környezetbarát ártalmatlanítás A régi elektromos készülékeket nem szabad a háztartási hulladékkal együtt kidobni, hanem külön kell ártalmatlanítani. A kommunális gyűjtőhelyen történő ártalmatlanítás magánszemélyek részére ingyenes. A régi készülékek tulajdonosának feladata, hogy a készülékeket elszállítsa az említett vagy hasonló gyűjtőhelyekre. Ezzel a kis személyes erőfeszítéssel hozzájárul az értékes nyersanyagok újrahasznosításához és a mérgező anyagok ártalmatlanításához.

	Kinyit
	Zár

## ÖSSZESZERELÉS ÉS MŰKÖDÉS

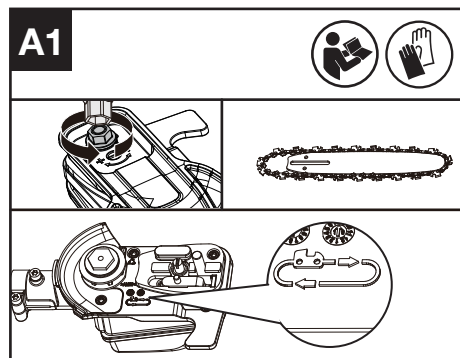
 **MEGJEGYZÉS:** Mielőtt a szerszámot használná, olvassa el figyelmesen az utasításokat.

### ÖSSZESZERELÉS

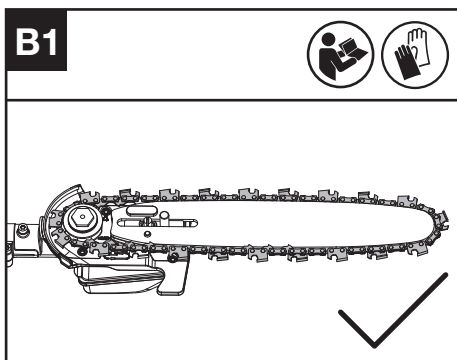
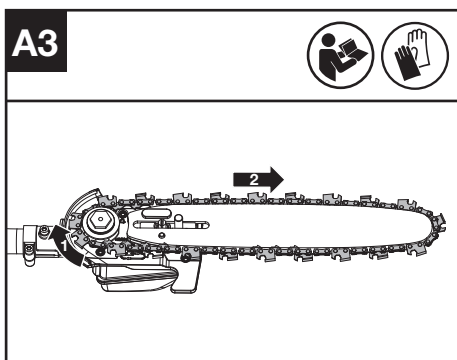
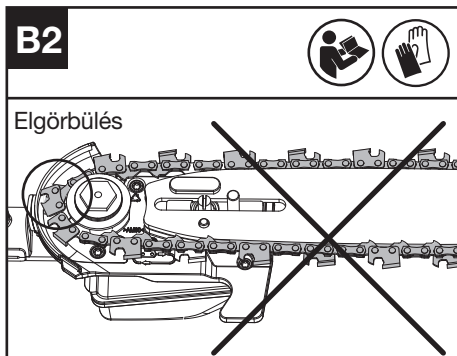
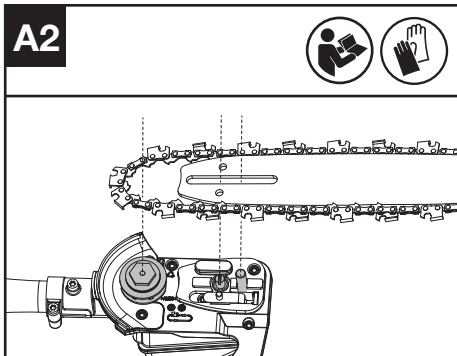
 **FIGYELMEZTETÉS!** A gép teljes összeszerelése előtt ne helyezze be az akkucsomagot. A fűrészlánc kezeléskor mindig viseljen védőkesztyűt.

### LANCBAR ÉS VÁGÓFEJ ÖSSZESZERELÉSE

1. Lazítsa ki a hatszögletű anyát a vezérlőborító eltávolításához. Csúsztassa be a láncot a vezérlőrúd körüli nyílásba. Győződjön meg arról, hogy a lánc a megfelelő futási irányban van. (Lásd a A1. ábrát.)
2. Helyezze a láncot a hajtómű fogaskerekére úgy, hogy a vezérlőpárnaon lévő bárváltó tűske illeszkedjen a vezérlőbár nyílásának kulcsába. (Lásd a A2., A3. ábrát.)
3. Biztosítsa be, hogy minden alkatrész megfelelően legyen beillesztve. Győződjön meg arról, hogy a hajtólánc teljesen be van ültetve a hajtómű fogaskerekébe (lásd a B1. ábrát), kerülve a B2. ábrán látható csavarokat. Ha csavar keletkezik, emelje fel a láncot a vezérlőrúd előtt, majd húzza ki a csavart.  
**MEGJEGYZÉS:** A láncnak szabadon kell forognia, de egy bizonyos erő szükséges a forgatáshoz.
4. Helyezze fel a vezérlőburkolatot, és húzza meg a hatszögletű anyát.



HU



**!** **FIGYELMEZTETÉS:** A lánc még nem feszés. A lánc megfeszítésének folyamatát a „Lánc megfeszítése” című fejezetben leírtaknak megfelelően kell elvégezni. A lánc megfelelő feszességét ezután ellenőrizni kell.

### FESZÍTŐ LÁNC (LÁSD A C., D. ÁBRÁT)

**MEGJEGYZÉS:** Az új láncok az első használatkor beülnek a sínre. Gyakran ellenőrizze a láncfeszességet az első használatkor, és szorítsa meg, ha a lánc meglazul a vezérlőrúd körül.

- Távolítsa el az akkumulátoregységet, mielőtt beállítaná a láncfeszességet.
- A lánc élének élei élesek. Használjon védőkesztyűt a lánc kezelésekor.
- Mindig tartsa megfelelően a láncfeszességet. Egy laza lánc kiugorhat a vezérlőrúd vajatából. Ez sérülést okozhat az operátornak, és a lánc, a sín és a hajtómű gyors kopását okozhatja.

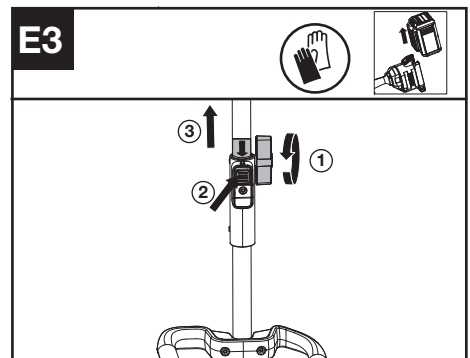
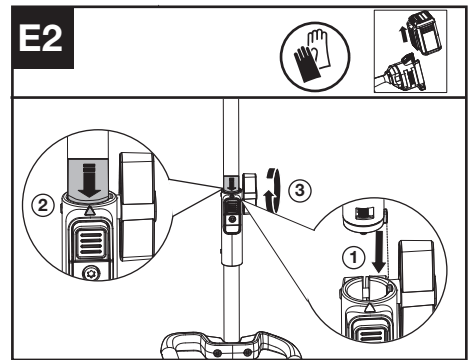
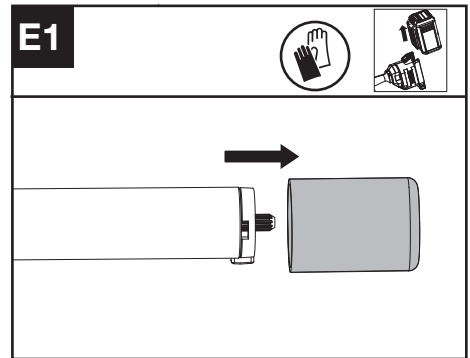
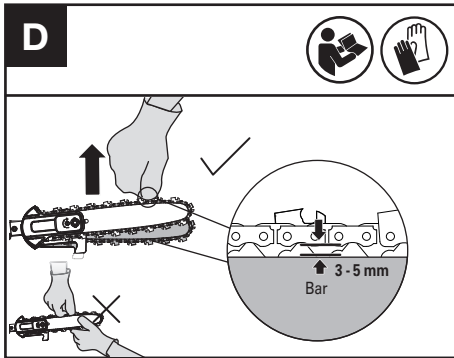
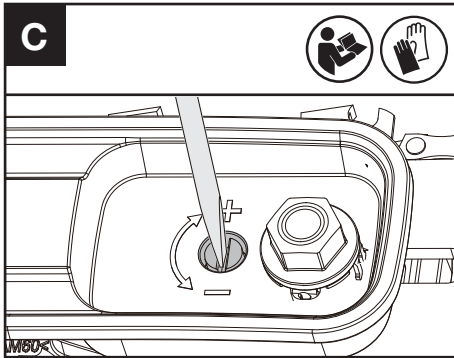
1. Helyezze el a metszőt egy alkalmas sík felületre, majd lazítsa meg a hatszögletű anyát.
2. Fordítsa el az óramutató járásával megegyező irányba a láncfeszítő csavart, amíg szorosan nem lesz. (Lásd a C. ábrát)

**MEGJEGYZÉS:** A feszesség automatikusan növekszik, amikor a láncfeszítő csavart az óramutató járásával megegyező irányba forgatja. Ezután szorosan húzza meg a hatszögletű anyát.

3. Ellenőrizze a láncfeszítő csavar által beállított feszességet. A megfelelő láncfeszesség akkor érhető el, amikor a láncot a vezérlőrúd közepén kb. fél hajtómű mélységgel meg tudja emelni egy kesztyűs kézzel, a gép súlyával szemben. (Lásd az D. ábrát) Ezután szorosan húzza meg a hatszögletű anyát.

**MEGJEGYZÉS:** A lánc megfelelően van feszítve, ha felemelhető a vezérlőrúdról, és a hajtómű mélysége a vezérlőrúd sínjében van.

**MEGJEGYZÉS:** A lánc megfeszül a vágás közben, és elveszti a megfelelő feszességet. Amikor a lánc meglazul, lazítsa meg a hatszögletű anyát, szorítsa meg a láncfeszítő csavart, majd szorítsa meg újra a hatszögletű anyát a láncfeszesség újra beállításához az előzőleg felsorolt 1-3. lépés szerint.



### A motoros fej össze- és szétszerelése (Lásd a. E1, E2, E3 ábrát)

1. Távolítsa el a védősapkát a tartozékszár végéről.
2. Az összeszereléshez igazítsa egymáshoz a gombon lévő háromszög ikont és a tartozékszárban lévő nyílcsímkét.
3. Nyomja össze a szárazakat, amíg kattánást nem hall. A nyílcsímke szélének közel kell lennie a szár csatlakozóházához. (Megjegyzés: Ha a magassági ágvágó munkafejet nem lehet teljesen behelyezni a motorfejbe, forgassa el egy kicsit az ágvágó munkafejet, amíg a tengelyt teljesen be nem tudja helyezni)
4. Az összeszerelés befejezéséhez húzza meg a gombot az óramutató járásával megegyező irányba történő elfordításával.
5. A szétszereléshez lazítsa meg a gombot, ehhez fordítsa el az óramutató járásával ellentétes irányba, majd nyomja meg a kioldógombot, és húzza szét a szárazakat. Helyezze vissza a védősapkát a tartozékszárba, hogy a por és a törmelék ne kerüljön a szárba.

**Szerelési és szétszerelési információk az toldó tengelyhez, kérjük, tekintse meg az E1, E2 és E3 képeket.**

# KENÉS (LÁSD A F. ÁBRÁT)



**FONTOS:** A de la pantalla nincs feltöltve láncolajjal. Lényeges, hogy töltsd fel láncolajjal a fűrészt használat előtt. Sose üzemeltesd a rúdfűrészt láncolaj nélkül, vagy hagyd, hogy az üzemanyagtartály kiürüljön, mert ez súlyos károkat okozhat a termékben. **MEGJEGYZÉS:** A lánc élettartama és vágási teljesítménye az optimális kenéstől függ. Ezért a lánc automatikusan olajozva lesz használat közben.

## OLAJTARTÁLY FELTÖLTÉSE:

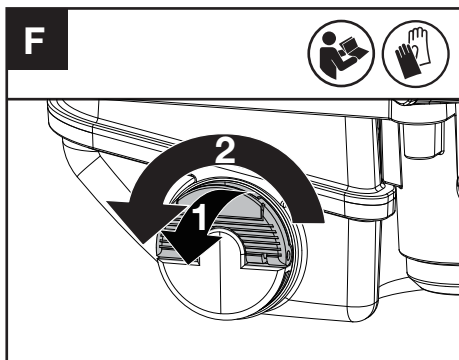


**FIGYELMEZTETÉS:** Távolítsa el az akkumulátort az olajtartály feltöltése előtt.

1. Helyezze el a rúdfűrészt alkalmas felületre az olajtöltő sapkával felfelé.
2. Tisztítsa meg a területet a körülött lévő olajtöltő sapka körül ruhával, majd csavarta le a sapkát, az óramutató járásával ellentétes irányban.
3. Töltsd fel a láncolajjal az olajtartályt, amíg majdnem teljesen megtelik.
4. Kerülje a szennyeződés vagy törmelék bejutását az olajtartályba, majd szerelje fel az olajtöltő sapkát, és húzza meg óramutató járásával ellentétes irányban, amíg kézzel szorosan nem lesz.

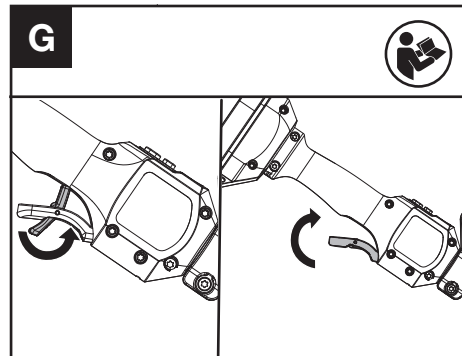


**F** Fontos, hogy rúd és láncolajat használjon (nem autóolajat), amelyet széles hőmérséklettartományban alkalmaznak, és nincs szükség hígításra. Ezt a terméket megtalálhatja ott, ahol a fűrészt vásárolta, vagy a helyi barkácsáruházban. Ne használjon koszos, használt vagy egyéb szennyezett olajokat. A rúdon vagy láncon károsodás keletkezhet. A nem engedélyezett rud- és láncolaj használata érvényteleníti a garanciát. Tartsa távol a rúd olaját a gyerekektől. Ha lenyeli, azonnal hívjon orvost. Tartsa távol a hőtől vagy nyílt lángtól.



# MŰKÖDÉS

## A magassági ágvágó beindítása



1. Első lépésként tolja előre a biztonsági zárolókat, majd szorítsa össze és tartsa lenyomva a gázkar kapcsoló a gép indításához.

**MEGJEGYZÉS:** További részletek megtalálhatók a motorfejé kézikönyvében.

## VÁGÁS



**FONTOS:** Időről időre ellenőrizze az olajtartályt. Ellenőrizze a nemrég kicserélt lánc feszességét minden alkalommal, amikor kicseréli az akkumulátort.

- (1) Az akkumulátor egység beszerelése a gépbe.
- (2) Ne engedje meg, hogy a lánc érintkezzen a talajjal működés közben, mert ez elkopáshoz vezethet.
- (3) Mindkét kezét használja a fűrészfogásához.
- (4) Győződjön meg róla, hogy a lábának szilárd a talpa. Tartsa a lábát vállszélességben, egyenletesen elosztva a súlyt mindkét lábán.
- (5) Amikor készen áll a vágásra, kövesse az említett indítási eljárásokat és sebességválasztást. Ez bekapcsolja a fűrészt. A ravaszt elengedve kikapcsolja a fűrészt. Győződjön meg róla, hogy a fűrészt teljes sebességgel működik, mielőtt nekiállna a vágásnak.
- (6) Amikor elkezdi a vágást, lassan helyezze a mozgóláncot a fa felé. A fát a vágófejhez minél közelebb kell tartani. Tartsa szorosan a fűrészt a helyén annak érdekében, hogy elkerülje a fűrészt esetleges ugrálását vagy csúszását (oldalirányú mozgását).
- (7) Az irányításhoz használjon könnyű nyomást, és ne alkalmazzon túlzott erőt a fűrészre. A motor túlterhelhet, és kigéshez vezethet. A fűrészt a tervezett sebességnél jobban és biztonságosabban végzi el a munkát.
- (8) Vegye ki a fűrészt a vágásból a fűrészt teljes sebességén. Állítsa le a fűrészt. Győződjön meg róla, hogy a lánc megállt, mielőtt letenné a fűrészt.
- (9) Gyakoroljon kibott rönkökön egy biztonságos munkaterületen, amíg kényelmes lesz a folyékony mozdulatokkal és egyenletes vágási sebességgel.



## Visszarúgásgátló biztonsági eszközök a fűrészen

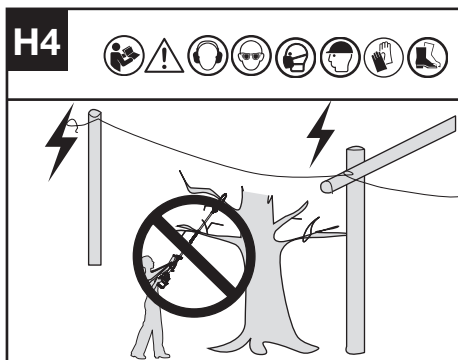
A fűrész alacsony visszarúgási kockázatú láncsal és csökkentett visszarúgási kockázatú vezetőszínnel van felszerelve. Mindkét elem csökkenti a visszarúgás esélyét. Azonban ennél a fűrésznél is történhet visszarúgás.

Az alábbi lépések csökkentik a visszarúgás kockázatát.

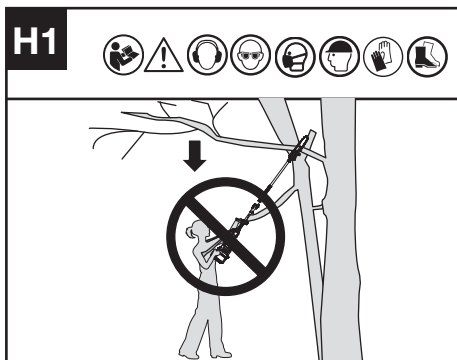
- Mindkét kezét használja a fűrész fogásához, miközben a fűrész működik. Szoros fogást alkalmazzon.
- Győződjön meg arról, hogy az összes biztonsági eszköz a helyén van a fűrészen, és megfelelően működik.
- Tartson szilárd lábat és egyensúlyt mindenkor.
- Álljon kissé a fűrész bal oldalára. Ez megakadályozza, hogy a teste közvetlenül a lánc vonalában legyen.
- Ne engedje meg, hogy a vezérlőúrra orra érintkezzen bármivel, amikor a lánc mozog.
- Ne temesse el a vezérlőúrra orrát, és ne próbáljon "merülő vágást" végezni (a vezérlőúrra orrának fába való behatolása).
- Figyeljen a fa elmozdulására vagy egyéb erőkre, amelyek becsíphetik a láncot.
- Nagyon óvatosan használja, amikor újra be akar lépni egy korábbi vágásba.
- Csak a rúdfűrészhez mellékelt vagy javasolt alacsony visszarántású láncot és vezérlőrudat használjon.
- Sose használjon tompa vagy lazított láncot. Tartsa éles állapotban megfelelő feszültséggel.

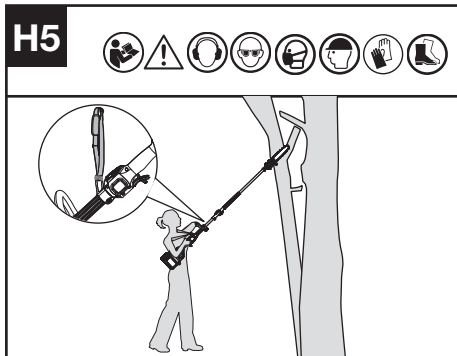
## MAGAS ÁGAK VÁGÁSA

1. Helyezze be az akkumulátort a gépbe.
2. Mielőtt levágna egy magas ágat, különös figyelmet kell fordítania az esetleges leeső ág útvonalára. FIGYELEM: Ne álljon közvetlenül egy vágás alatt lévő ág alatt. Tartsa távol a nézőket. Ne álljon létrán vagy más instabil támaszon a szerszám használata közben. Ne használja a szerszámot kábel, elektromos áram vagy telefonvonal közelében. Tartsa távol magát legalább 3 méterre minden elektromos vezetékétől. (Lásd H1-H4. ábra)



3. Mindkét kezével fogja meg az ágvágót, és vágja le az ágakat.





### FA KÖRÜLVÁGÁSA (ÁGNYESÉS)

**FIGYELMEZTETÉS:** Óvakodjon a gép visszarúgásától. A visszarúgás súlyos sérüléseket vagy halálos balesetet is okozhat.

A visszarúgás kockázatának elkerülése végett olvassa el a Visszarúgás fejezetet.

**Figyelem!** Ne működtesse a rúdűrűrészt, miközben

- egy fán áll,
- egy létrán vagy egyéb instabil felületen áll,
- kényelmetlen pozícióban áll.

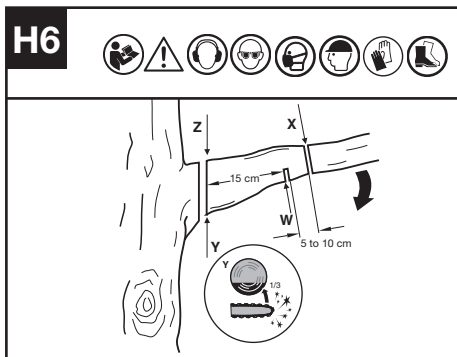
Elveszítheti uralmát a rúdűrűrészt felett, ami súlyos sérülést okozhat.

**VIGYÁZAT:** Amennyiben ismereteit meghaladó körülményekkel találkozik, kérjen szakavatott segítséget.

A fanyesés egy olyan folyamat, amelynek során élő fáról nyesi le az ágakat! Lábaiat tartsa válszélességű terpeszben. Testsúlyát egyenletesen ossza el mindkét lábán.

A faágak nyesése során kövesse az alábbi irányelveket.

1. Készítse el az első vágást néhány hüvelykre (c) a fa törzse alatt a gally alján. Használja a vezérlőrúd felső részét ehhez a vágáshoz. Vágj a fa átmérőjének 1/3-áig (Lásd H6. ábra).



2. Mozogjon néhány hüvelykkel (c 30%-a) feljebb a gallyon. Készítse el a második vágást a gally felső részéről. Folytassa a vágást, amíg levágja a gallyat.

3. Készítse el a harmadik vágást a fa törzséhez lehetőleg legközelebb, teljesen leválasztva a hátralévő tuskót. Használja a vezetősín alsó részét ennek a vágásnak elvégzéséhez.

### Akkus kéziszerszámokra vonatkozó figyelmeztetések

A lemerítéshez ajánlott környezeti hőmérséklet-tartomány -20 °C~45 °C.

A töltőrendszer csak -5 °C~45 °C közötti ajánlott környezeti hőmérsékleteken használható.

## SZÁLLÍTÁS

### Rúdűrűrészt szállítása

1. Kapcsolja ki a rúdűrűrészt, és vegye ki a az akkumulátort.
2. Ha a rúdűrűrészt kézzel szállítja, fogja meg a rudat úgy, hogy a gép párhuzamos legyen a talajhoz és a rúd hátrafelé nézzen.
3. Ha a rúdűrűrészt járművel szállítja, rögzítse a rúdűrűrészt és úgy helyezze el, hogy megakadályozza az elmozdulást vagy sérülést.

## A FÜRÉSZ KARBANTARTÁSA

Kövesse a kezelési utasításokat ebben a kézikönyvben. A fűrész, lánc és vezérlőrúd megfelelő tisztítása és karbantartása csökkentheti a kopás esélyeit. Minden használat után ellenőrizze és tartsa karban a fűrész. Ez növeli a fűrész élettartamát. Ha a fűrész esik az esőben működés közben, a gépet és az akkumulátort szárazon kell tartani a tárolás vagy a töltés előtt.

## FÜRÉS KARBANTARTÁSA ÉS TÁROLÁSA

1. **Távolítsa el az akkumulátort**
  - Amikor nem használja
  - Mozgatás előtt egyik helyről a másikra
  - Szervizelés előtt
  - Tartozékok vagy csatlományok, például lánc és irányítósin cseréje előtt
2. **Minden használat előtt és után ellenőrizze a fűrész.** Nézze meg alaposan a fűrész, ha a védő vagy egyéb rész sérült. Ellenőrizze az olyan sérüléseket, amelyek befolyásolhatják az üzemeltető biztonságát vagy a fűrész működését. Ellenőrizze a mozgó alkatrészek igazítását vagy megkötését. Ellenőrizze, hogy nincsenek-e törött vagy sérült alkatrészek. Ne használja a fűrész, ha a sérülés veszélyezteti a biztonságot vagy az üzemeltetést. A sérüléseket hagyja megjavíttatni az engedélyezett szervizközpontban.
3. **Tartsa karban a fűrész gondosan.**
  - Tartsa élesnek, tisztának és kenve a láncot a jobb

és biztonságosabb teljesítmény érdekében.

- Kövesse a lánc élezését bemutató lépéseket ebben a kézikönyvben.
  - Tartsa szárazon, tisztán és olaj- és zsírmentesen a fogantyúkat.
  - Tartsa meg minden csavart és anyát szorosan.
- 4. Szervizeléskor csak azonos típusú alkatrészeket használjon.**
- 5. Használaton kívül mindig tartsa a fűrész**
- Magas vagy zárt helyen, elérhetetlen a gyermekek számára
  - Száraz helyen
  - Védő tokkal az eredeti helyzetben

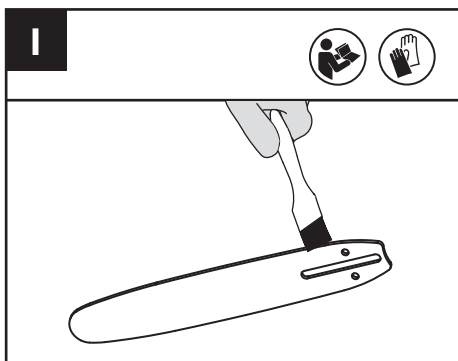
## A VEZETŐSÍN KARBANTARTÁSA

A vezetősín maximális élettartamának eléréséhez a következő karbantartási munkák elvégzése ajánlott. A gép tárolása előtt vagy ha a sín, ill. a lánc szennyezettnek tűnik, a sít mindig meg kell tisztítani. A lánc eltávolításakor a vezetősínt mindig meg kell tisztítani.

Az irányítósínek sínek időszakos lemaratása néha szükséges lehet egy lapos fájl segítségével.

## A VEZETŐSÍNEK TISZTÍTÁSA

1. Távolítsa el a láncfedőt, a vezetősínt és a láncot. (lásd az ÖSSZERELÉS fejezetet)
2. Drótkefével, csavarhúzóval vagy egyéb hasonló, erre alkalmas eszközzel távolítsa el a maradványokat a vezetősínből. (Lásd I. ábra)
3. Győződjön meg róla, hogy alaposan letisztította az olajjal érintkező felületeket.



## A LÁNCOT ÉS A VEZETŐSÍNT AZ ALÁBBI ESETEKBE KELL KARBANTARTANI:

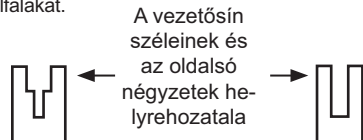
- A fűrész egy oldalon vagy a saroknál vág.
- A fűrész erővel kell áttolni a vágáshoz.
- Nem megfelelő mennyiségű olaj érkezik a sínhez és a lánchoz.

A lánc élesítésekor mindig ellenőrizze a vezetősín állapotát. Ha a vezetősín kopott, az a lánc sérüléséhez és vágási nehézségekhez vezet.

Használat és a gép hálózati áramellátásának megszüntetése után mindig távolítsa el a fűrészport a

vezetősínről és a lánckerék furatából.

Ha a vezetősín teteje egyenetlen, egy lapos reszelő segítségével reszelje szögletesre a sarkokat és az oldalfalakat.



Kopott horony

Megfelelő horony

Cserélje ki a vezetősínt, ha a horony elkopott, ha a vezetősín elhajlott vagy megrepedt, vagy ha a síneknél túlzott felmelegedés vagy zaj lép fel. Ha cserére van szükség, csak azt a vezetősínt használja, amelyet a fűrészéhez a javítási alkatrészek listáján vagy a botfűrészén található matricának megfelelően megjelöltek.

## A FÜRÉSZLÁNC ÉS A VEZETŐSÍN CSERÉJE/MEGFORDÍTÁS

A fűrészlánccot akkor kell kicserélni, ha az élek már túl használtak a fenéshez, vagy amikor a lánc elszakad. Csak a jelen felhasználoi útmutatóban jelzett cserelánccot használja.

A kopott vagy sérült vezetősín veszélyes lehet, mert tönkretelheti a fűrészlánccot és megnehezítheti a vágást.

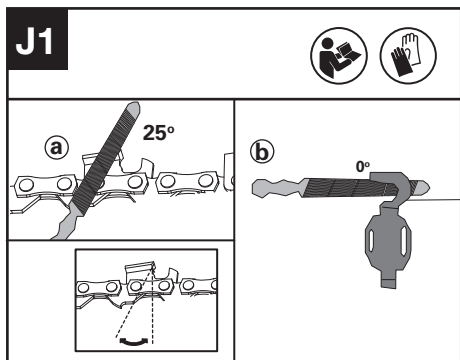
## A FÜRÉSZLÁNC ÉLEZÉSE

**FIGYELMEZTETÉS:** Szervizelés előtt távolítsa el az akkumulátort a fűrészből. Áramütés vagy a mozgó láncsal való érintkezés esetén súlyos vagy végzetes sérülések keletkezhetnek.

**A lánc vágóéle éles. Használjon védőkesztyűt a lánc kezelése során.**

Tartsa a fűrészlánccot élesen. Fűrészze gyorsabban és biztonságosabban fog vágni. A tompa fűrészlánc a lánckerék, a vezetősín, a fűrészlánc és a motor túlzott kopását okozhatja. Ha erőltetnie kell a fűrészlánccot, hogy belevágjon a fába, és a vágás csak fűrészport eredményez néhány nagyobb darabbal, akkor a fűrészlánc tompa.

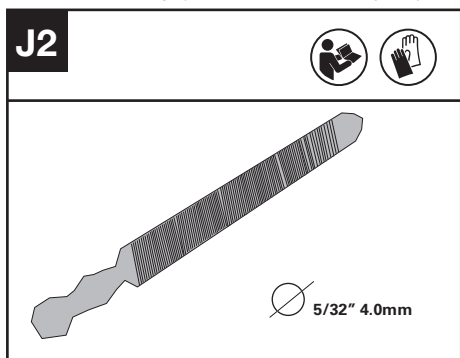
**Az élezés előtt kérjük, vegye figyelembe a következő lépéseket:( Lásd J1 ábra)**



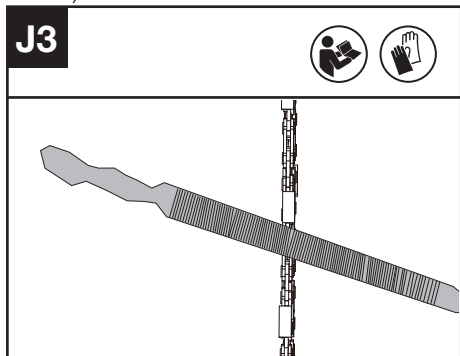
a: A reszelő szöge; b: reszelő pozíciója.

### Hogyan kell élezni a vágógépeket

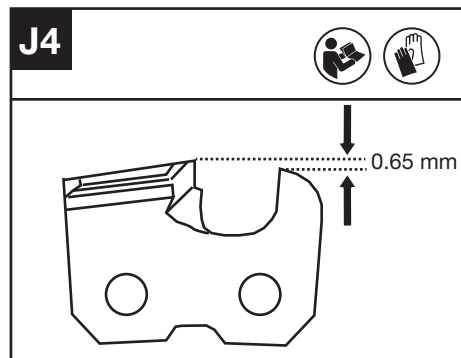
1. Készítsen elő egy kerek reszelőt a vágóél megélezéséhez. (Lásd J2. ábra) **MEGJEGYZÉS:** Stabilan fogja sabta a láncvezető lemezt, mielőtt megélezné a láncot. Ellenőrizze, hogy nincs-e becsípődve a lánc, és szabadon mozog-e a láncvezető lemezen. Ellenőrizze, hogy megfelelő-e a láncfeszesség. (Lásd „Láncfeszítés” fejezet) .



2. A vágófogak belseje felől a lánc külseje felé élezze meg a vágóéleket a reszelővel. (Lásd J3. ábra)



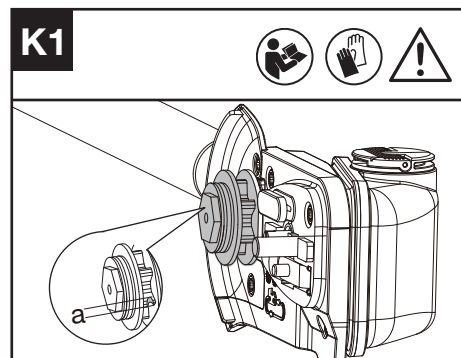
3. Reszelje meg az összes vágóélt a láncvezető lemez egyik oldalán.
4. Fordítsa meg a láncfűrészt, és reszelje meg az összes vágóélt a túoldalalon.
5. Ellenőrizze, hogy minden vágófog egyforma hosszú-e. A hatékony, biztonságos és egyenletes vágás érdekében a mélységmérőt 0,65 mm-esre reszelje. Győződjön meg róla, hogy a mélységmérő elülső vége le legyen kerekítve. (Lásd J4. ábra)

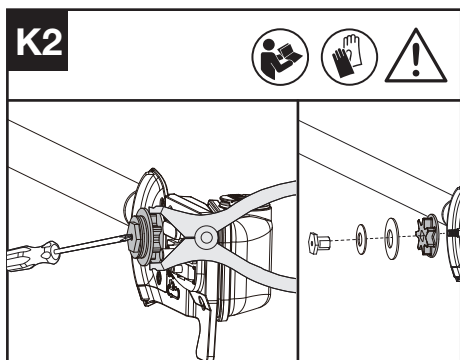


## INSPECKING AND MAINTAINING THE CHAIN SPROCKET

**WARNING:** Before check, it is a must to turn off the pole saw and remove the battery.

1. Remove the dive sprocket cover, saw chain and guide bar.
2. Check if the wear marks are deeper than  $a=0.5\text{mm}$  as shown in Fig. K1, if so, then the chain sprocket should be replaced. (See Fig. K1)
3. When replace chain sprocket, control the sprocket with pliers and use screwdriver to loosen nut and replace it. (See Fig. K2)





## TISZTÍTÁS

1. Kapcsolja ki a rúdfűrész és távolítsa el az akkumulátort.
2. Ne használjon agresszív tisztító- vagy oldószereket. Használat után tisztítsa meg a készüléket egy gyenge tisztítószerbe mártott nedves kendővel.
3. Tartsa szennyeződésektől és törmelékektől mentesen az akkumulátor csatlakozóját, és puha és száraz kefével vagy ruhával tisztítsa meg.
4. Ne spricceljen vizet a motorra és az elektromos alkatrészekre.
5. Ne használjon nagynyomású mosóberendezést a gép megtisztításához.

## TÁROLÁS

1. Az akkumulátortáskát távolítsa el a szerszámból tárolás előtt.
2. Tárolja a szerszámot és az akkumulátort egy száraz és biztonságos helyen, amely nem hozzáférhető gyermekeknek és más jogosulatlan személyeknek.
3. Ha működés közben az eső miatt nedves lett, a gépet és az akkumulátort tárolás vagy töltés előtt meg kell szárítani. Vegye ki az akkumulátort, és helyezze vissza, ha a készülék nem kapcsol be.

## HIBAELHÁRÍTÁS

Ha az Ön elektromos kéziszerszáma nem működik kifogástalanul, a következő táblázatban kikeresheti a megfelelő hibatüneteket, azok lehetséges okait és az elhárításhoz szükséges intézkedéseket. Ha a táblázat segítségével nem tudja behatárolni és elhárítani a hibát, forduljon a szervizműhelyhez.

**⚠ FIGYELEM: A HIBAKERESÉS ELŐTT KAPCSOLJA KI AZ ELEKTROMOS KÉZISZERSZÁMOT ÉS VEGYE KI BELŐLE AZ AKKUMULÁTORT.**

Tünet	Lehetséges okok	Lehetséges megoldás
A rúdfűrész nem működtethető	Akkumulátor lemerült	Töltse fel az akkumulátort
A pálcafűrész szakaszos működést végez	Túlmelegedés	Helyezze a gépet egy hűvös, jól szellőző helyre, és várja meg a lehűlését.
	Túl nagy nyomást használ a vágáshoz	Valamivel kisebb nyomást használjon a vágáshoz.
	Laza csatlakoztatás.	Vegye fel a kapcsolatot a szervizképviselővel
	Belső hibás érintkezés.	
	Az "On/Off" kapcsoló hibás	

A fűrészlánc száraz.	Nincs olaj az olajtartályban	Az olaj utántöltése
	Az olajtartály sapkájában a szellőző eltömődött	Tisztítsa meg az olajtöltő sapkát
	Az olajkifolyó csatorna eldugult	Tisztítsa meg az olajkifolyó csatornát
Lánc/láncartó rúd túlmelegedése	Nincs olaj az olajtartályban	Az olaj utántöltése
	Az olajtartály sapkájában a szellőző eltömődött	Tisztítsa meg az olajtöltő sapkát
	Az olajkifolyó csatorna eldugult	Tisztítsa meg az olajkifolyó csatornát
	A lánc túlságosan meg van feszítve	Állítsa be a rögzítőgombot
	A fűrészlánc tompa	Élesítse meg vagy cserélje ki a fűrészláncot
A szélsőséges fűrészszakadás, rezgés, a fűrész nem megfelelő	A lánc feszültsége túl alacsony	Állítsa be a lánc feszültségét
	A fűrészlánc tompa	Élesítse meg vagy cserélje ki a fűrészláncot
	A fűrészlánc elkopott	Cserélje ki a fűrészláncot
	A fűrészfogak a hibás irányba mutatnak	Szerelje fel helyesen a fűrészláncot

## MŰSZAKI ADATOK

	KAC361
HU Vezetősín hosszúsága	25 cm
Láncsebesség	Magas: 17 m/s Alacsony: 13 m/s
Olajtartály kapacitása	160 ml
Osztásköz	3/8" LP
Láncvastagság	1.1 mm
Védelmi fokozat	IPX4
Gép súlya	1.8 kg

## VÁGÓESZKÖZÖK KOMBINÁCIÓJA

### Vágóeszköz

KAC333-10"/25cm 0.043"/1.1mm 3/8 LP Vezetősín

KAC302-10"/25cm 0.043"/1.1mm 3/8 LP Fűrészlánc

KAC335-12"/30cm 0.043"/1.1mm 3/8 LP Vezetősín

KAC304-12"/30cm 0.043"/1.1mm 3/8 LP Fűrészlánc

# INFORMÁCIÓ AZ ELŐTÉT TENGYELLYEL (KAC360)

## ZAJÉRTÉKEK

A-súlyozású hangnyomásszint  $L_{pA} = 79 \text{ dB(A)}$   
 $K_{pA} = 3,0 \text{ dB(A)}$

A-súlyozású hangerő  $L_{WA} = 94,1 \text{ dB(A)}$   
 $K_{WA} = 1,1 \text{ dB(A)}$

Viseljen fülvédőt.



## REZGÉSÉRTÉKEK

Az EN ISO 11680-1 szabvány szerint meghatározott összes rezgés (háromtengelyű vektoriális összeg) a következő:

Rezgés kibocsátás	$a_n = 1,3 \text{ m/s}^2$
	Bizonytalanság $K = 1,5 \text{ m/s}^2$

# INFORMÁCIÓ ELŐTÉT TENGYELLYEL ZAJÉRTÉKEK

A-súlyozású hangnyomásszint  $L_{pA} = 82 \text{ dB(A)}$   
 $K_{pA} = 3,0 \text{ dB(A)}$

A-súlyozású hangerő  $L_{WA} = 93 \text{ dB(A)}$   
 $K_{WA} = 1,5 \text{ dB(A)}$

Viseljen fülvédőt.



## REZGÉSÉRTÉKEK

Az EN ISO 11680-1 szabvány szerint meghatározott összes rezgés (háromtengelyű vektoriális összeg) a következő:

Rezgés kibocsátás	$a_n = 1,87 \text{ m/s}^2$
	Bizonytalanság $K = 1,5 \text{ m/s}^2$

A hivatalos összesített rezgésszint a szerszámok összehasonlítására, illetve a kitétség előzetes felmérésére használható.

**FIGYELMEZTETÉS:** Az elektromos kéziszerszám használata során a rezgés kibocsátás eltérhet a fenti értéktől attól függően, hogy a szerszámot hogyan használják. Az érték függhet az alábbiaktól:  
Hogyan használják a szerszámot, milyen anyagokat

vágnak vagy fúrnak.

Az eszköz jó állapotban van-e, megfelelően karbantartják-e.

Megfelelő tartozékokat használnak-e az eszközhöz, vigyáznak-e, hogy hegyes legyen és jó állapotban maradjon.

A markolat megfelelően rögzül-e, használnak-e rezgéscsillapító tartozékokat.

A szerszámot rendeltetészerűen, kialakításának és a jelen utasításoknak megfelelően használják-e.

Ha a szerszámot nem kezelik megfelelően, kéz-kar vibrációs szindrómát okozhat.

**FIGYELMEZTETÉS:** A pontosság érdekében az expozíciós szint becslött értékéhez a valós használati körülmények között figyelembe kell venni a működési ciklus valamennyi elemét, így azt az időt is, amikor a szerszám ki van kapcsolva, és amikor üresjáratban működik. Ez a teljes munkaidőszak viszonylatában jelentősen csökkentheti az expozíciós szintet.

A rezgéskockázatnak való kitétséget az alábbiakkal csökkentheti:

Az eszközt jelen utasításoknak megfelelően tartsa karban, és vigyázzon a megfelelő kenésre (ahol erre szükség van).

Ha rendszeresen használja az eszközt, vásároljon rezgéscsillapító tartozékokat.

Úgy tervezze meg a munkáját, hogy a magas rezgésszámú eszközök használatát igénylő feladatokat több napra ossza el.

HU

## KÖRNYEZETVÉDELME

A leselejtezett elektromos készülékek nem dobhatók ki a háztartási hulladékkal. Ha van a közelben elektromos hulladék gyűjtő udvar, vigye oda a készüléket. Az újrahasznosítási lehetőségekről tájékozódjon a helyi hatóságoknál vagy a kereskedőnél.

## MEGFELELŐSÉGI NYILATKOZAT

A GYÁRTÓ,  
Positec Germany GmbH  
Postfach 680194, 50704 Cologne, Germany

A Positec nevében kijelenti, hogy a termék  
**Leírás:** Akkumulátoros rúdfűrész  
**Típus:** KAC361 (361 - a géptípus megnevezése, rúdfűrész típus)  
**Rendeltetés:** Magas ágak vágása

Megfelel a következő irányelveknek:  
**2006/42/EC, 2014/30/EU, 2011/65/EU & (EU)2015/863, 2000/14/EC módosítva 2005/88/EC**

Tanúsítási szervezet  
Név: Intertek Deutschland GmbH (tanúsítási szervezet 0905)

Cím: Stangenstraße 1, 70771 LEINFELDEN-  
ECHTERDINGEN

Tanúsítvány száma: 24SHW0160

**Információ az előtét tengellyel (KAC360)**

2000/14/EC módosítva 2005/88/EC:

- Megfelelőség-ellenőrző eljárás a V függelék értelmében

- Mért hangerő-szint 94 dB(A)

- Garantált hangerő-szint 96 dB(A)

**Információ előtét tengellyel**

2000/14/EC módosítva 2005/88/EC:

- Megfelelőség-ellenőrző eljárás a V függelék értelmében

- Mért hangerő-szint 93 dB(A)

- Garantált hangerő-szint 95 dB(A)

Az alábbi normáknak:

**EN 62841-1, EN ISO 11680-1, EN ISO 3744, EN IEC  
55014-1, EN IEC 55014-2, EN IEC 63000**

A műszaki dokumentáció összeállítására jogosult személy:

**Név: Marcel Filz**

**Cím: Positec Germany GmbH**

**Postfach 680194, 50704 Cologne, Germany**

HU



2024/01/26

Allen Ding

Helyettes főmérnöke, Tesztelés és minősítés

Positec Technology (China) Co., Ltd.

18, Dongwang Road, Suzhou Industrial

Park, Jiangsu 215123, P. R. China



# CUPRINS

Introducere.....	137
Listă de componente.....	138
Securitatea produsului.....	139
Asamblare și operare.....	142
Lubrifierea.....	144
Funcționarea.....	145
Transportul.....	147
Întreținerea ferăstrăului.....	147
Curățarea.....	149
Depozitare.....	150
Depanarea.....	150
Date tehnice.....	151
Declarație de conformitate.....	152

RO

## INTRODUCERE

Stimate Client,

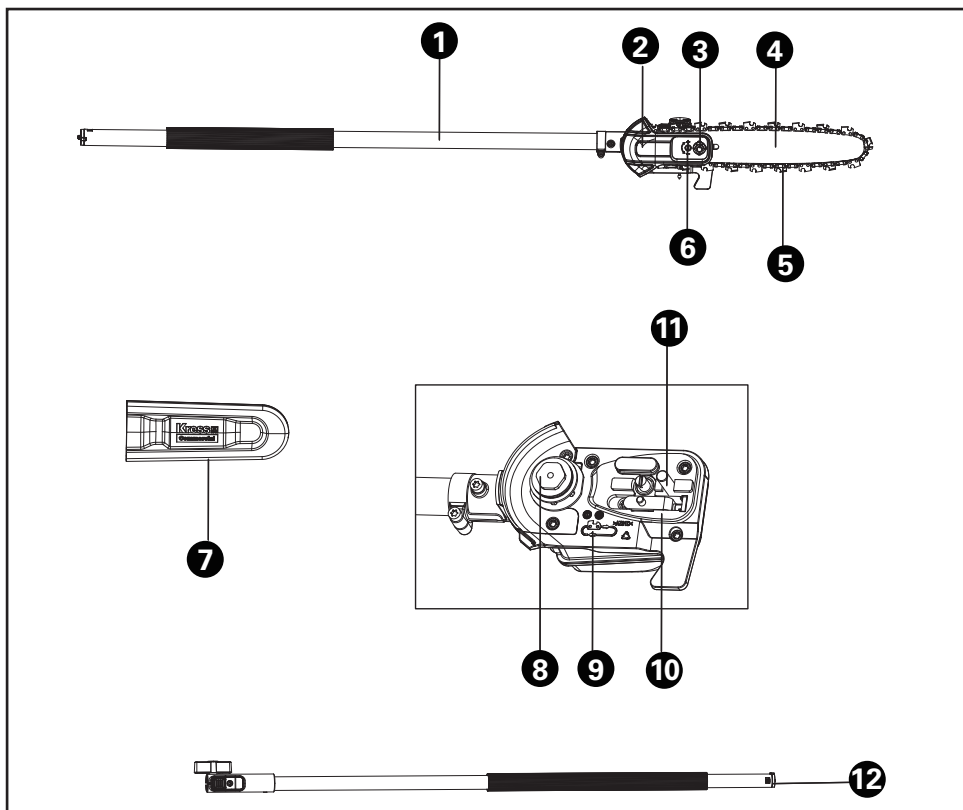
Vă mulțumim pentru achiziționarea acestui produs comercial Kress. Suntem dedicați dezvoltării de produse de înaltă calitate pentru a satisface cerințele dvs. cu privire la amenajarea spațiului comercial.

Marca Kress este sinonimă cu serviciile de calitate premium. Pe durata anilor de funcționare a produselor dvs., dacă aveți întrebări sau nelămuriri cu privire la produsul dvs., vă rugăm să contactați distribuitorul sau echipa noastră de asistență pentru clienți.

Suntem încrezători că vă veți bucura de folosirea produsului Kress pentru mulți ani de acum înainte.

## UTILIZAREA RECOMANDATĂ

Complementar cu KAC104 - Cap de acționare, această ferăstrău telescopic este conceput pentru tăierea și îngrijirea crengilor aflate la o înălțime inaccesibilă. Toate tăierile trebuie făcute perpendicular pe direcția fibrei lemnoase. Acest produs este destinat exclusiv tăierii lemnului.



## LISTA DE COMPONENTE

- |     |                                   |
|-----|-----------------------------------|
| 1.  | ARBOR                             |
| 2.  | CAPAC DE ANTRENARE                |
| 3.  | PIULIȚĂ HEXAGONALĂ                |
| 4.  | LAMĂ DE GHIDARE                   |
| 5.  | LANȚ DE FERĂSTRĂU                 |
| 6.  | ȘURUB PENTRU TENSIONAREA LANȚULUI |
| 7.  | TEACĂ DE PROTECȚIE                |
| 8.  | ROATĂ DINTATĂ DE ANTRENARE        |
| 9.  | SIMBOL DIRECȚIE LANȚ              |
| 10. | SUPORT PENTRU BARĂ                |
| 11. | BOLT PENTRU FIXARE BARĂ           |
| 12. | TIJĂ PRELUNGITOARE *              |

\* Nu toate accesoriile ilustrate sau descrise sunt incluse în livrarea standard.

# INSTRUCȚIUNI ORIGINALE

## SECURITATEA

## PRODUSULUI

## AVERTISMENTE

## GENERALE DE

## SIGURANȚĂ PENTRU

## UNELTE ELECTRICE



**ATENȚIONARE:** Citiți toate atenționările de siguranță și parcurgeți toate instrucțiunile, ilustrațiile și specificațiile atașate acestei scule electrice. Nerespectarea tuturor instrucțiunilor enumerate mai jos poate duce la electrocutare, incendiu și/sau leziune corporală gravă.

**Păstrați toate avertismentele și instrucțiunile pentru consultări ulterioare.**

*Termenul „unealtă electrică” din avertismente se referă la o unealtă electrică alimentată de la rețeaua de energie electrică (prin cablu) sau la o unealtă electrică alimentată de la un acumulator (fără cablu).*

### 1) Siguranța zonei de lucru

- a) **Mențineți zona de lucru curată și bine iluminată.** Zonele de lucru în dezordine și întunecoase favorizează accidentele.
- b) **Nu utilizați uneltele electrice în atmosfere explozive, de exemplu în prezența unor lichide, gaze sau pulberi inflamabile.** Uneltele electrice provoacă scântei ce pot aprinde pulberea sau vaporii.
- c) **Asigurați-vă că nu sunteți în apropiere persoane și copii în timpul funcționării unei unelte electrice.** Distragerea atenției poate duce la pierderea controlului uneltei.

### 2) Siguranța electrică

- a) **Fișele uneltei electrice trebuie să se potrivească perfect în priza de alimentare. Nu modificați niciodată ștecherul. Nu folosiți niciun adaptor pentru uneltele electrice cu împământare.** Utilizarea ștecherelor nemodificate în prize corespunzătoare va reduce riscul electrocutării.
- b) **Evitați contactul fizic cu suprafețe cu legătură la pământ, cum ar fi țevi, radiatoare, mașini de gătit sau frigider.** Riscul electrocutării este mai mare în cazul în care corpul dumneavoastră vine în contact cu suprafața împământată.
- c) **Nu folosiți aparatul în condiții de ploaie sau de umezeală. Acest lucru poate crește riscul de electrocutare.** Odată udate în ploaie în timpul funcționării, mașina și bateria trebuie să fie uscate înainte de a fi depozitate sau încărcate. Scoateți bateria și reintroduceți-o dacă mașina nu reușește să pornească. Păstrați conexiunea acumulatorului fără murdărie și reziduuri și curățați acumulatorul cu o perie sau

o cârpă moale și uscată.

- d) **Nu deteriorați cablul de alimentare. Nu folosiți niciodată cablul pentru transportarea, tragerea sau scoaterea din priză a uneltei electrice. Păstrați cablul de alimentare la distanță de căldură, ulei, margini ascuțite sau părți mobile.** Cablurile deteriorate sau încurcate măresc riscul electrocutării.
  - e) **Când utilizați unealta electrică în exterior, utilizați un prelungitor potrivit pentru utilizarea în exterior.** Utilizarea unui cablu potrivit pentru uzul în exterior reduce riscul electrocutării.
  - f) **Dacă utilizarea uneltei electrice într-un loc umez nu poate fi evitată, folosiți o alimentare protejată cu dispozitiv de curent rezidual (RCD).** Folosirea unui dispozitiv RCD reduce riscul electrocutării.
- ### 3) Siguranța personală
- a) **Fiți concentrat, urmăriți ceea ce faceți și dați dovadă de simț practic când folosiți o unealtă electrică. Nu folosiți o unealtă electrică dacă sunteți obosit sau sub influența drogurilor, a alcoolului sau a medicamentelor.** O clipă de neatenție în timpul funcționării uneltei electrice poate duce la accidentări personale grave.
  - b) **Folosiți echipament personal de protecție. Purați întotdeauna ochelari de protecție.** Echipamentele de protecție precum masca de protecție contra prafului, încălțăminte cu talpă antiderapantă, casca sau protecția pentru urechi vor reduce riscul accidentărilor, utilizate în mod corespunzător.
  - c) **Preveniți punerea accidentală în funcțiune. Asigurați-vă că întrerupătorul se află în poziția de oprire înainte de a face conectarea la sursa de alimentare și/sau la acumulator, înainte de a ridica sau a transporta unealta.** Transportarea uneltelor electrice ținând degetul pe întrerupător sau alimentarea acestora cu întrerupătorul pornit poate duce la accidentări.
  - d) **Scoateți orice cheie de reglare sau cheie de piulițe înainte de a porni unealta electrică.** O cheie de piulițe sau o altă cheie rămasă prinsă de o componentă rotativă a uneltei poate duce la rănirea personală.
  - e) **Păstrați un echilibru corect. Mențineți-vă permanent echilibrul și sprijiniți-vă ferm pe picioare.** Acest lucru permite un control mai bun al uneltei electrice în situații neprevăzute.
  - f) **Îmbrăcați-vă corespunzător. Nu purtați îmbrăcăminte prea largă sau bijuterii. Țineți la distanță părul și hainele dvs. de piesele în mișcare ale uneltei electrice.** Hainele prea largi, bijuteriile și părul lung se pot prinde în piesele mobile.
  - g) **Dacă sunt furnizate accesorii pentru conectarea unor dispozitive de aspirare și colectare a prafului, asigurați-vă că acestea sunt montate și folosite corect.** Folosirea colectorului de praf poate reduce riscul

accidentărilor din cauza prafului.

- h) Nu lăsați ca odată cu familiarizarea dvs. cu utilizarea unelei să deveniți indolenți și să uitați respectarea principiilor de siguranță ale unelei electrice.** Orice acțiune nesăbuită poate duce la leziuni corporale grave într-o fracțiune de secundă.
- 4) Utilizarea și întreținerea uneltelor electrice**
- a) Nu forțați unealta electrică. Folosiți unealta electrică potrivită pentru aplicație.** Cu o unealtă electrică potrivită veți lucra mai bine și mai în siguranță, la viteza pentru care a fost concepută.
- b) Nu utilizați unealta electrică dacă nu o puteți porni sau opri de la întrerupător.** Orice unealtă electrică ce nu poate fi acționată de la întrerupător este periculoasă și trebuie reparată.
- c) Deconectați ștecherul de la sursa de alimentare electrică și/sau scoateți acumulatorul detașabil din unealta electrică înainte de orice reglaj, schimbare de accesorii sau de stocare a unelei.** Astfel de măsuri de siguranță reduc riscul pornirii accidentale a unelei electrice.
- d) Nu lăsați uneltele electrice la îndemâna copiilor și nu permiteți persoanelor ce nu știu să le manevreze și nu cunosc instrucțiunile să acționeze aceste unelte.** Uneltele electrice sunt periculoase în mâinile utilizatorilor neinstruiți.
- e) Întreținerea unelei electrice și ale accesoriilor aferente. Verificați posibila aliniere incorectă sau posibila blocare a componentelor mobile, deteriorarea componentelor sau orice alte situații care pot afecta funcționarea unelei electrice.** Dacă unealta electrică este deteriorată, reparați-o înainte de utilizare. Multe accidente sunt provocate din cauza întreținerii incorecte a uneltelor.
- f) Uneltele de tăiere trebuie menținute ascuțite și curate.** Riscul blocării uneltelor de tăiere cu margini ascuțite întreținute corect este mai mic și acestea sunt mai ușor de controlat.
- g) Utilizați unealta electrică, accesoriile, piesele etc. conform acestor instrucțiuni, luând în considerare condițiile de lucru și operația de efectuat.** Folosirea unelei electrice pentru operații diferite de cele pentru care a fost concepută poate duce la accidentare.
- h) Păstrați uscate, curate și fără urme de ulei sau grăsime mânerul și suprafețele de apucare ale unelei.** Mânerul și suprafețele de apucare alunecoase împiedică manipularea și controlul sigur al unelei tocmai în cele mai neașteptate situații.
- 5) Utilizarea și întreținerea uneltelor cu acumulatori**
- a) Efectuați reincărcarea numai cu încărcătorul specificat de producător.** Un încărcător adecvat pentru un anumit tip de acumulator poate prezenta risc de incendiu dacă este utilizat

cu alt tip de acumulator.

- b) Folosiți mașinile electrice numai cu acumulatorii special destinați acestora.** Utilizarea oricăror altor acumulatori poate prezenta risc de rănire și de incendiu.
- c) Când nu folosiți acumulatorul, țineți-l la distanță de obiecte metalice precum agrafe de birou, monede, chei, cuie, șuruburi sau alte obiecte metalice mici, ce pot constitui o legătură între cele două borne.** Un scurtcircuit al bornelor acumulatorului poate duce la arsuri sau incendiu.
- d) În condiții necorespunzătoare de utilizare, se poate prelinge lichid din acumulator; evitați contactul. În caz de producere accidentală a contactului, clătiți bine cu apă.** Dacă v-a intrat lichid în ochi, consultați imediat medicul. Lichidul expulzat din acumulator poate cauza iritații sau arsuri.
- e) Nu utilizați acumulatorul sau scula dacă acestea sunt deteriorate sau modificate.** Acumulatorii deteriorați sau modificați se pot comporta într-un mod imprevizibil, crescând riscul unui incendiu, unei explozii sau leziunilor corporale.
- f) Evitați expunerea la foc și la temperaturi excesive a acumulatorului sau a sculei.** Expunerea la foc sau la temperaturi care depășesc 130°C poate duce la explozie.
- g) Respectați toate instrucțiunile de reincărcare și nu încărcați acumulatorul sau scula decât în plaja de temperaturi specificată în instrucțiuni.** Reîncărcarea necorespunzătoare sau la temperaturi din afara plajei de temperaturi specificate poate duce la deteriorarea acumulatorului și la creșterea riscului de incendiu.
- 6) Service**
- a) Service-ul unelei electrice trebuie efectuat de persoane calificate, folosind doar piese de schimb originale.** Acest lucru va asigura folosirea în continuare a unelei electrice în siguranță.
- b) Nu reparați niciodată acumulatorii deteriorați.** Service-ul acumulatorilor trebuie efectuat numai de către fabricant sau de centre de service autorizate.

## ROD A VĂZUT UN AVERTISMENT DE SIGURANȚĂ

1. Păstrați ferăstrăul stâlp la o distanță suficientă de linia electrică aeriană.
2. Vă rugăm să acordați atenție pericolului poziției de operare, precum și a riscului de cădere a ramurilor sau loviturilor care lovesc pământul, iar operatorul poate fi lovit de crengi sau de ramuri după lovirea solului. Ștergeți ramurile din fiecare secțiune
3. Pentru a reduce riscul, vă rugăm să păstrați cei

din jur la o distanță sigură de mașină în timpul funcționării acesteia.

4. Păstrați o poziție fermă și un echilibru în timpul funcționării. Utilizați hamul furnizat.
5. Folosiți EIP atunci când operați, inclusiv pentru auz protecție, protecția ochilor (viziera sau ochelari) și protecția capului și îmbrăcămintea.



## AVERTISMENTE PRIVIND SIGURANȚA PENTRU ACUMULATOR







- a) Nu demontați, deschideți sau rupeți elementele sau acumulatorul.
- b) Nu scurtcircuitați un acumulator. Nu depozitați acumulatorii la întâmplare într-o cutie sau într-un sertar unde s-ar putea scurtcircuita între ele sau prin materiale conductoare. Când bateria nu este în uz, țineți-o la distanță de alte obiecte metalice, cum sunt agrafele pentru hârtie, monede, cuie, șuruburi sau alte obiecte metalice mici, care pot crea contact între bornele acesteia. Scurtcircuitarea bornelor bateriei poate cauza arsuri sau incendii.
- c) Nu expuneți acumulatorul la căldură sau foc. Evitați depozitarea în lumina directă a soarelui.
- d) Nu supuneți acumulatorul la șocuri mecanice.
- e) În cazul scurgerii acumulatorului, aveți grijă ca lichidul să nu intre în contact cu pielea sau ochii. În cazul contactului, spălați zona afectată cu apă din belșug și solicitați asistență medicală.
- f) Mențineți acumulatorul curat și uscat.
- g) Ștergeți terminalele acumulatorului cu o cârpă curată și uscată dacă se murdăresc.
- h) Acumulatorul trebuie încărcat înainte de utilizare. Consultați întotdeauna aceste instrucțiuni și utilizați procedura de încărcare corectă.
- i) Nu încărcați acumulatorul atunci când nu îl utilizați.
- j) După perioade extinse de depozitare, ar putea fi necesară încărcarea și descărcarea acumulatorului de mai multe ori pentru a obține performanțe maxime.
- k) Reîncărcați folosind doar încărcătorul specificat de Kress. Nu utilizați niciun alt încărcător în afară de cel conceput specific pentru utilizarea cu acest echipament.
- l) Nu utilizați acumulatorii care nu sunt concepute pentru a fi utilizate cu acest echipament.
- m) Nu lăsați acumulatorul la îndemâna copiilor.
- n) Păstrați documentația originală a produsului pentru consultări ulterioare.
- o) Îndepărtați acumulatorul din echipament atunci când nu îl utilizați.

- p) Eliminați acumulatorul în mod corespunzător.
- q) Nu introduceți în aparat acumulatorii care provin de la producători diferiți sau cu capacități, dimensiuni sau tipuri diferite.
- r) Țineți acumulatorul departe de microunde și presiune ridicată.
- s) **Atenție! Nu utilizați baterii ne-reîncărcabile.**


## PĂSTRAȚI ACESTE INSTRUCȚIUNI

## SIMBOLURI


	Pentru a reduce riscul de accidentări, utilizatorul trebuie să citească manualul de instrucțiuni.
	AVERTISMENT
	Purtați echipament de protecție pentru urechi
	Purtați echipament de protecție pentru ochi
	Purtați mască de protecție contra prafului
	Purtați cască de protecție
	Purtați mănuși de protecție
	Purtați încălțăminte de protecție
	Păstrați distanță suficientă față de liniile de curent electric

 <p><b>Li-Ion</b></p>	<p>Acumulator litiu-ion, care a fost etichetat cu simbolurile asociate cu "colectarea separată" a tuturor acumulatorilor și acumulatorilor. Acesta este apoi reciclat sau eliminat pentru a reduce impactul asupra mediului. Bateriile pot fi dăunătoare mediului și sănătății umane deoarece conțin substanțe nocive.</p>
	<p>Nu ardeți</p>
	<p>Dacă nu este manipulată corect, bateria poate intra în ciclul de apă și poate provoca daune ecosistemului. Nu aruncați bateriile uzate ca deșeuri municipale nesortate.</p>
<p>RO</p>	<p>Produsele electrice nu trebuie depuse la deșeuri împreună cu gunoiul menajer. Vă rugăm să depuneți produsele electrice la unitățile de reciclare existente. Consultați-vă cu autoritățile locale sau cu distribuitorul pentru sfaturi privind reciclarea.</p>
	<p>Reciclarea ecologică Aparatele electrice vechi nu trebuie aruncate împreună cu gunoiul menajer, ci trebuie reciclate separat. Reciclarea la puncte de colectare municipale, prin intermediul persoanelor private, este gratuită. Proprietarul aparatelor vechi este responsabil de aducerea acestora la aceste puncte de colectare similare. Cu puțin efort personal, contribuiți la reciclarea unor materii prime valoroase și la tratarea substanțelor toxice.</p>
	<p>Deblocare</p>
	<p>Blocare</p>

## ASAMBLARE ȘI OPERARE

 **NOTĂ:** Înainte de utilizarea sculei, citiți manualul de instrucțiuni cu atenție.

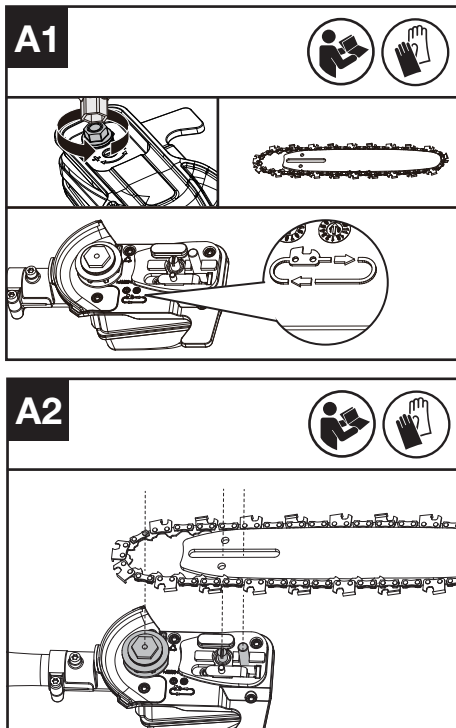
## ASAMBLAREA

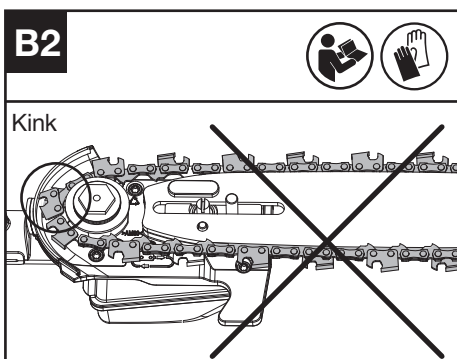
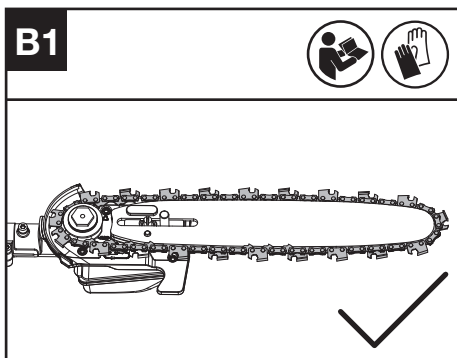
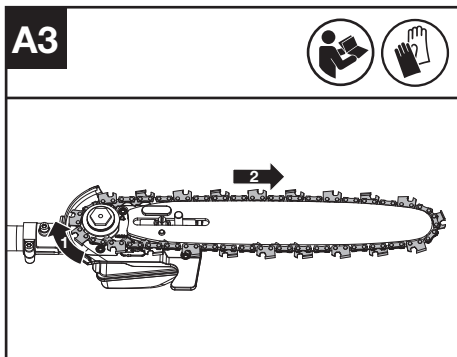
 **AVERTISMENT!** Nu introduceți acumulatorul înainte de asamblarea completă a unelei electrice.

La manevrarea lanțului de ferăstrău purtați întotdeauna mănuși de protecție.

### ASAMBLAREA LANȚULUI ȘI BAREI DE GHIDARE

- Slăbiți piulița hexagonală pentru a îndepărta capacul de antrenare. Glisați lanțul în șanțul din jurul barei de ghidare. Asigurați-vă că lanțul este în direcția corectă de rotație. (Vezi Fig. A1)
- Așezați lanțul pe roata dințată, astfel încât bolțul de fixare a barei de pe suportul barei să se potrivească în canelura deschiderii de pe bara de ghidare. (Vezi Fig. A2, A3)
- Asigurați-vă că toate piesele sunt așezate corect. Asigurați-vă că elementele de acționare sunt complet așezate în roata dințată (Vezi Fig. B1), evitând apariția unei slăbiri așa cum este arătat în Fig. B2. Dacă apare o slăbire, ridicați lanțul la bara de ghidare chiar înainte de slăbire și apoi trageți de slăbire.  
**NOTĂ:** Lanțul trebuie să se rotească liber, dar necesită o anumită forță pentru a se roti.
- Așezați capacul de antrenare și strângeți piulița hexagonală





**⚠️ AVERTISMENT:** Lanțul nu este încă tensionat. Tensionarea lanțului se realizează conform instrucțiunilor din secțiunea „Tensionarea lanțului”. În acest moment, este necesară o verificare a lanțului, pentru a vă asigura că acesta este tensionat în mod corespunzător.

### ÎNTINDEREA LANȚULUI DE FERĂSTRĂU (VEZI FIG. C, D)

**Notă:** Lanțurile noi ale ferăstrăului se vor așeza pe bara de ghidare când sunt folosite pentru prima dată. Verificați frecvent tensiunea lanțului la începutul utilizării și strângeți când lanțul devine lejer în jurul

barei de ghidare.

- Scoateți bateria înainte de reglarea tensiunii lanțului.
- Marginea de tăiere a lanțului este ascuțită. Utilizați mănuși de protecție când manipulați lanțul.
- Mențineți întotdeauna o tensiune corespunzătoare a lanțului. Un lanț lejer poate sări din canelura barei de ghidare. Acest lucru poate răni operatorul și poate deteriora lanțul. Un lanț lejer va determina uzura rapidă a lanțului, barei și pinionului.

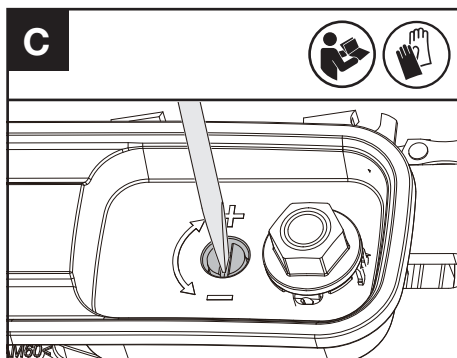
1. Așezați ferăstrăul pe o suprafață plană potrivită și slăbiți piulița hexagonală.
2. Întoarceți șurubul de reglare a tensiunii lanțului în sensul acelor de ceasornic până când este strâns. (Vezi Fig. C)

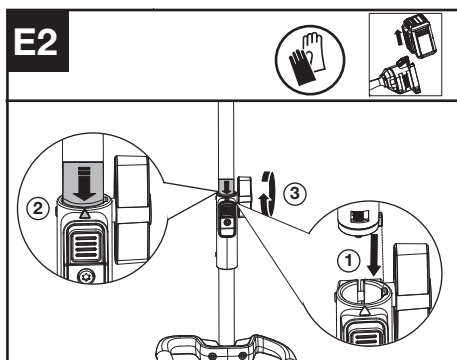
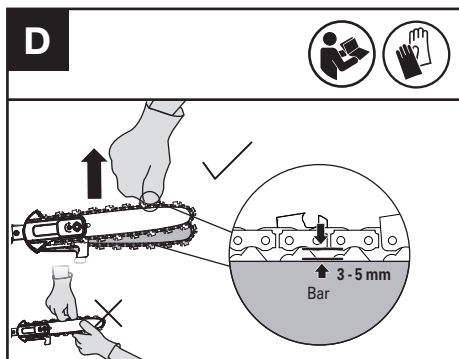
**NOTĂ:** Tensiunea crește automat în timp ce șurubul de reglare a tensiunii lanțului este întors în sensul acelor de ceasornic. Apoi strângeți bine piulița hexagonală.

3. Verificați tensiunea reglată de șurubul de reglare a tensiunii lanțului. Tensiunea corectă a lanțului este atinsă atunci când lanțul poate fi ridicat aproximativ pe jumătate din adâncimea legăturii de antrenare de pe bara de ghidare în centrul acesteia. Acest lucru trebuie făcut folosind o mână înmănușată pentru a ridica lanțul împotriva greutății mașinii. (Vezi Fig. D) Apoi strângeți complet piulița hexagonală.

**NOTĂ:** Lanțul este tensionat corect atunci când poate fi ridicat de pe bara de ghidare și legătura de antrenare este în interiorul canelurii barei de ghidare.

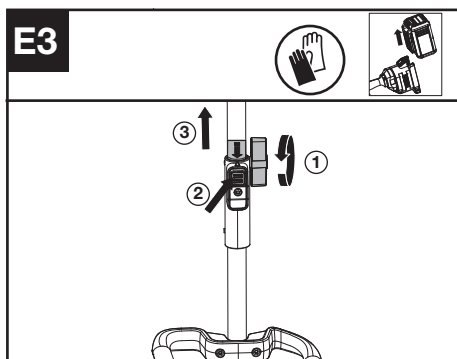
**NOTĂ:** Lanțul se va slăbi în timpul tăierii și va pierde tensiunea corectă. Când lanțul devine lejer, slăbiți piulița hexagonală, strângeți șurubul de reglare a tensiunii lanțului și apoi strângeți piulița hexagonală pentru a regla corect tensiunea lanțului urmând pașii 1-3 enumerați anterior



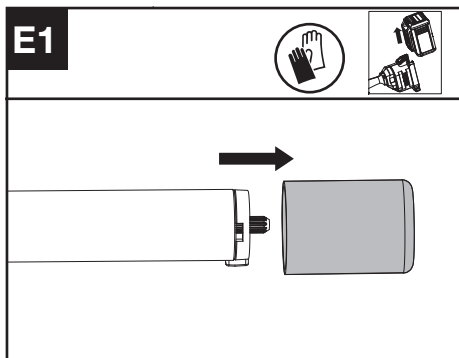


### Asamblarea și dezasamblarea capului de acționare (Vezi Fig. E1, E2, E3)

1. Scoateți capacul de protecție de pe capătul tijei accesoriu.
2. Pentru asamblare, aliniați simbolul triunghiular de pe buton cu săgeata de pe tija accesoriu.
3. Apăsăți împreună cele două tije până auziți un "clic". Marginea etichetei cu săgeată trebuie să fie aproape de carcasa conexiunii tijei. (Observație: În cazul în care capul de lucru al ferăstrăului cu tijă nu poate fi instalat corect pe capul de acționare, rotiți capul de lucru al ferăstrăului cu tijă până când puteți introduce complet axul.)
4. Finalizați montajul strângând butonul în sensul acelor de ceasornic.
5. Pentru a demonta, slăbiți butonul, răsuțiți-l în sens invers acelor de ceasornic și apoi apăsați butonul de eliberare și separați tije. Înlocuiți capacul de protecție de pe tija accesoriu pentru vă asigura că praful și murdăria nu intră în tijă.



**Informații despre asamblare și dezasamblare pentru arborele de extensie, vă rugăm să consultați imaginile E1, E2 și E3.**



## LUBRIFIEREA (VEZI FIG. F)

**!** **IMPORTANT:** Ferăstrăul telescopic nu este umplut cu ulei pentru bară și lanț. Este esențial să fie umplut cu ulei pentru bară și lanț înainte de utilizare. Nu folosiți niciodată ferăstrăul telescopic fără ulei pentru bară și lanț sau permiteți golirii rezervorului, deoarece acest lucru poate avaria grav produsul.

**NOTĂ:** Durata de viață a lanțului și capacitatea de tăiere depind de lubrifierea optimă. Prin urmare, lanțul este uns automat în timpul funcționării.

### UMPLEREA REZERVORULUI DE ULEI:

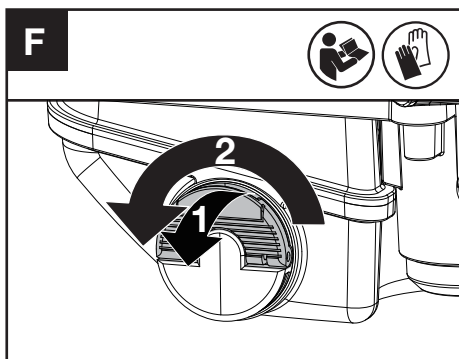
**!** **AVERTISMENT:** Scoateți acumulatorul înainte de a umple rezervorul de ulei.

1. Așezați ferăstrăul telescopic pe o suprafață potrivită, cu capacul de umplere a uleiului orientat în sus.



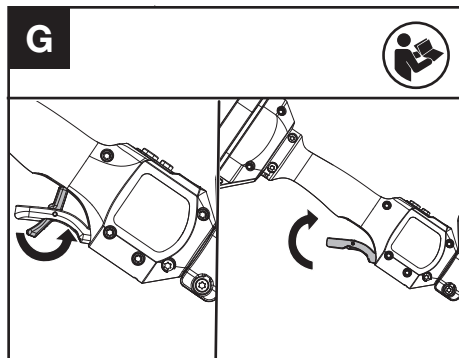
2. Curățați zona din jurul capacului de umplere cu un șervețel și desfaceți capacul întorcându-l în sens invers acelor de ceasornic.
3. Adăugați ulei pentru bară și lanț până când rezervorul este aproape plin.
4. Evitați intrarea murdăriei sau a resturilor în rezervorul de ulei, fixați capacul de umplere a uleiului și strângeți-l în sensul acelor de ceasornic până când este strâns cu mâna.

**!** Este important să utilizați un lubrifiant pentru bară și lanț (nu ulei de motor) care este formulat pentru a funcționa într-un interval larg de temperaturi fără a necesita diluție. Acesta poate fi găsit la locul unde ați achiziționat ferăstrăul sau în magazinul local de feronerie. Nu utilizați uleiuri murdare, folosite sau altfel contaminate. Daunele pot apărea la bară sau lanț. Utilizarea unui lubrifiant pentru bară și lanț neaprobă și anula garanția. Păstrați uleiul pentru bară departe de copii. În caz de înghițire, apelați imediat un medic. Depozitați departe de căldură sau flacără deschisă.



## FUNCȚIONAREA

Pornirea ferăstrăului cu tija



1. Împingeți mai întâi manetă de blocare a siguranței

înainte, apoi apăsați și țineți apăsată buton de accelerație pentru a porni mașina.

**Notă:** Mai multe detalii pot fi găsite în manualul pentru capul de putere.

## TĂIEREA

**!** **IMPORTANT: Verificați periodic rezervorul de ulei. Verificați tensiunea lanțului recent înlocuit, de fiecare dată când schimbați acumulatorul.**

- (1) Instalați acumulatorul în aparat.
- (2) Nu permiteți lanțului să vină în contact cu solul în timpul funcționării, deoarece acest lucru va toci lanțul.
- (3) Utilizați ambele mâini pentru a apuca ferăstrăul.
- (4) Asigurați-vă că stați pe o suprafață fermă. Păstrați picioarele la lățimea umerilor. Distribuți greutatea uniform pe ambele picioare.
- (5) Când sunteți pregătit să faceți o tăietură, urmați procedurile de pornire și selecție a vitezei de mai sus. Acest lucru va porni ferăstrăul. Eliberarea declanșatorului va opri ferăstrăul. Asigurați-vă că ferăstrăul funcționează la viteză maximă înainte de a începe o tăietură.
- (6) Când începeți o tăietură, plasați încet lanțul în mișcare împotriva lemnului. Lemnul ar trebui să fie cât mai aproape posibil de capul de tăiere. Țineți ferăstrăul ferm în loc pentru a evita posibila sărire sau alunecare (mișcare laterală) a ferăstrăului.
- (7) Ghidați ferăstrăul folosind o ușoară presiune și nu exercitați o forță excesivă asupra ferăstrăului, permițându-i să-și facă treaba. Motorul se poate supraîncălzi și se poate arde. Va face treaba mai bine și mai sigur la viteză pentru care a fost conceput.
- (8) Scoateți ferăstrăul dintr-o tăietură cu ferăstrăul funcționând la viteză maximă. Opiți ferăstrăul. Asigurați-vă că lanțul s-a oprit înainte de a așeza ferăstrăul jos.
- (9) Exersați pe deșeuuri lemnoase într-o zonă de lucru sigură până când vă simțiți confortabil, folosind o mișcare lină și o rată constantă de tăiere.

## MECANISME DE PROTECȚIE ÎMPOTRIVA RECOLULUI ALE ACESTUI FERĂSTRĂU

Acest ferăstrău este dotat cu un lanț și cu o bară de ghidare care permit reducerea la minim a reculului. Ambele componente reduc riscul de recul al lanțului. Cu toate acestea, există în continuare o oarecare risc de recul la folosirea acestui ferăstrău.

Următorii pași vor reduce riscul de recul.

- Folosiți ambele mâini pentru a apuca ferăstrăul în timpul funcționării. Asigurați-vă că apucați ferm.
- Păstrați toate elementele de siguranță la locul lor pe ferăstrău. Asigurați-vă că funcționează corect.
- Mențineți o poziție fermă și echilibrul în orice moment.
- Stați ușor în partea stângă a ferăstrăului. Acest lucru împiedică corpul să fie în linie directă cu lanțul.
- Nu lăsați vârful ghidajului să atingă nimic în timp ce lanțul se mișcă.
- Nu îngropați vârful ghidajului sau încercați să faceți

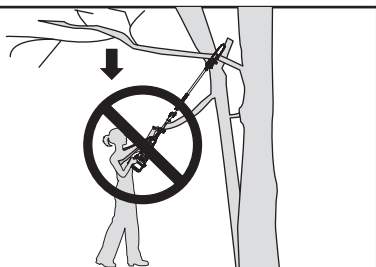
o tăietură de scufundare (să forțați în lemn folosind vârful ghidajului).

- Fiți atenți la deplasarea lemnului sau alte forțe care ar putea prinde lanțul.
- Fiți foarte atent atunci când reintrați într-o tăietură anterioară.
- Folosiți doar lanțul și ghidajul cu recul redus furnizate cu acest feraștrou telescopic sau cele recomandate.
- Nu utilizați niciodată un lanț uzat sau slab. Păstrați lanțul ascuțit cu tensiunea corespunzătoare.

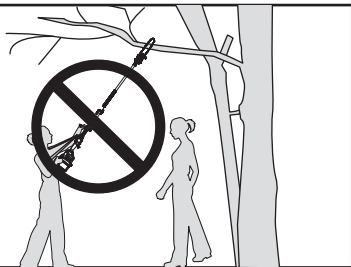
## TĂIEREA RAMURILOR ÎNALTE

1. Instalați acumulatorul în aparat.
2. Înainte de a tăia o ramură înaltă, acordați atenție deosebită direcției probabile a căderii ramurii.  
**AVERTISMENT:** Nu stați direct sub o ramură care este tăiată. Țineți alte persoane la distanță. Nu stați pe o scară sau pe alt tip de suport instabil în timpul utilizării instrumentului. Nu utilizați instrumentul în apropierea cablurilor, rețelelor electrice sau liniilor telefonice. Mențineți o distanță de 10 picioare (3 m) față de toate liniile electrice. (Vezi Fig. H1-H4)

H1



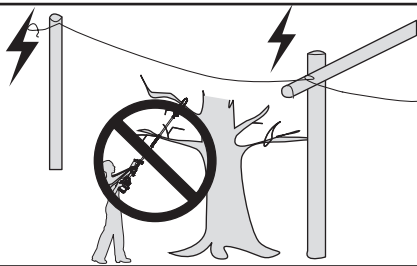
H2



H3

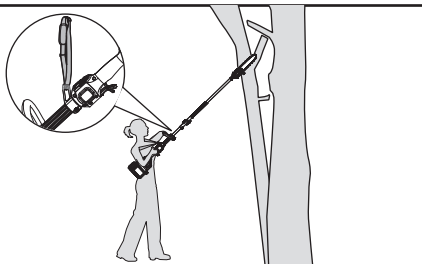


H4



3. Folosiți ambele mâini pentru a ține feraștroul cu tijă și a tăia crengi.

H5



## FASONAREA UNUI COPAC (TUNDERE)

**AVERTIZARE:** Evitați reculul mașinii. Reculul poate cauza leziuni corporale grave sau chiar decesul operatorului sculei.

Vezi secțiunea Recul pentru a evita aceste riscuri.

**AVERTIZARE:** Nu folosiți feraștroul telescopic atunci când

- vă aflați într-un copac,
- vă aflați pe o scară sau pe vreo suprafață instabilă,
- vă aflați într-o poziție incomodă.

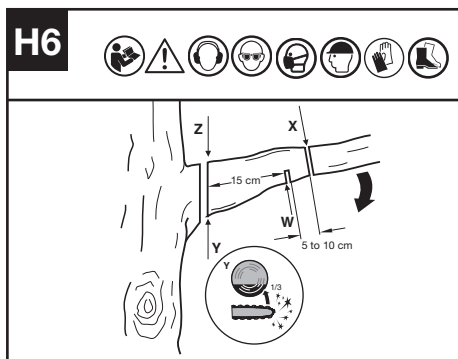
Puteți pierde controlul ferăstrăului, rănindu-vă grav

**ATENȚIE:** Dacă vă întâlniți cu niște situații care vă depășesc pregătirea, cereți sfaturi profesioniste.

Fasonarea unui copac reprezintă un procedeu prin care se taie crengile unui copac viu. Asigurați-vă că fixați bine picioarele pe sol. Păstrați picioarele la același nivel cu umerii. Asigurați-vă că distribuiți greutatea în mod egal pe ambele picioare.

Urmați instrucțiunile de mai jos la fasonarea unui copac.

1. Faceți prima tăietură la câțiva centimetri (c) de trunchiul copacului pe partea inferioară a ramurii. Utilizați partea superioară a ghidajului pentru a face această tăietură. Tăiați 1/3 din diametrul ramurii (Vezi Fig. H6).



2. Mutați câțiva centimetri (30% din c) mai sus pe ramură. Realizați a doua tăietură de deasupra ramurii. Continuați tăierea până când tăiați complet ramura.
3. Realizați a treia tăietură cât mai aproape de trunchiul copacului, tăind complet tăietura rămasă. Utilizați partea de jos a lamei de ghidare pentru a face această tăietură.

## Considerații privind uneltele alimentate cu acumulator

Intervalul de temperatură ambiantă recomandat pentru descărcare este -20°C~45°C.

Plaja de temperatură ambiantă recomandată pentru reîncărcare este cuprinsă între -5°C~45°C.

## TRANSPORTUL

### Transportul ferăstrăului telescopic

1. Opriti ferăstrăul telescopic și scoateți bateria.
2. Atunci când transportați ferăstrăul telescopic manual, țineți țija ferăstrăului, asigurându-vă că mașina este paralelă cu solul și bara este îndreptată spre spate.
3. Atunci când transportați ferăstrăul telescopic într-un vehicul, fixați-l și poziționați-l pentru a preveni mișcarea sau deteriorarea.

## ÎNTREȚINEREA FERĂSTRĂULUI

Urmați instrucțiunile de întreținere din acest manual. Curățarea și întreținerea corespunzătoare a ferăstrăului, lanțului și barei de ghidaj pot reduce șansele de uzură. Inspectați și întrețineți ferăstrăul după fiecare utilizare. Acest lucru va crește durata de viață a ferăstrăului. Dacă ferăstrăul se udă în ploaie în timpul utilizării, aparatul și bateria trebuie uscate înainte de a fi depozitate sau încărcate.

## ÎNTREȚINEREA ȘI DEPOZITAREA FERĂSTRĂULUI TELESCOPIC

1. **Scoateți bateria**
  - Când nu este în folosință
  - Înainte de a vă deplasa de la un loc la altul
  - Înainte de a face întreținere
  - Înainte de a schimba accesoriilor sau atașamente, cum ar fi lanțul și bara de ferăstrău
2. **Verificați ferăstrăul telescopic înainte și după fiecare utilizare.** Verificați cu atenție dacă protecția sau alte părți au fost deteriorate. Verificați orice deteriorare care ar putea afecta siguranța operatorului sau funcționarea ferăstrăului. Verificați alinierea sau blocarea pieselor mobile. Verificați dacă există părți rupte sau deteriorate. Nu folosiți ferăstrăul telescopic dacă deteriorarea afectează siguranța sau funcționarea. Reparați defectele la un centru de service autorizat.
3. **Întrețineți ferăstrăul telescopic cu grijă**Păstrați lanțul ascuțit, curat și lubrifiat pentru performanțe mai bune și mai sigure.
  - Urmați pașii din acest manual pentru a ascuți lanțul.
  - Păstrați mânerul uscat, curat și fără ulei și grăsime.
  - Strângeți toate șuruburile și piulițele.
4. **În timpul întreținerii, folosiți doar piese de schimb identice.**
5. **Când nu este în folosință, depozitați întotdeauna ferăstrăul telescopic**
  - Într-un loc înalt sau încuiat, ferit de accesul copiilor
  - Într-un loc uscat
  - Cu teaca de protecție în poziție.

## ÎNTREȚINEREA LAMEI DE GHIDARE

Pentru a maximiza durata de viață a lamei, se recomandă să respectați următoarele indicații privind întreținerea.

Lama de ghidare pe care este așezat lanțul trebuie să fie curățată înainte de depozitarea mașinii sau dacă lama și lanțul sunt murdare.

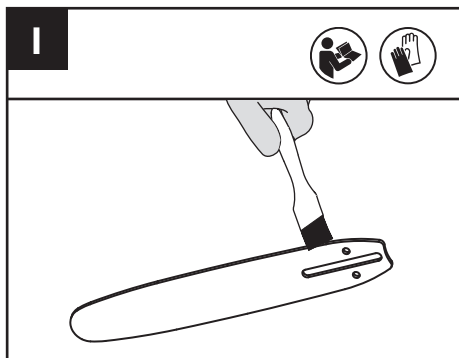
Lama de ghidare trebuie curățată de fiecare dată când este scos lanțul.

Ocazional, este posibil să fie necesar să

Îndepărtați eventualele bavuri de pe șinele barei cu o pilă plată.

## PENTRU A CURĂȚA LAMA DE GHIDARE

1. Îndepărtați capacul lanțului și bara de ghidaj împreună cu lanțul. (a se vedea secțiunea ASAMBLAREA)
2. Folosind o perie de sârmă, o șurubelniță sau un instrument similar, curățați urmele de murdărie de pe lama de ghidare. (Vezi Fig. I)
3. Aveți grijă să curățați complet locurile prin care trece uleiul.

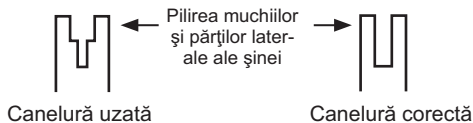


## CONDIȚIILE CARE IMPUN ÎNTREȚINEREA LANȚULUI ȘI A LAMEI DE GHIDARE:

- ferăstrăul taie într-o parte sau în unghi;
- ferăstrăul trebuie forțat pentru a înainta în tăietură;
- alimentarea cu ulei a lamei și a lanțului este inadecvată.

Verificați starea barei de ghidare de fiecare dată când lanțul este ascuțit. O lamă de ghidare uzată va determina deteriorarea lanțului și va îngreuna tăierea. După fiecare utilizare, cu unitatea deconectată de la sursa de alimentare, curățați rumegușul de pe lama de ghidare și din orificiul pinionului.

Când partea de sus a lamei de ghidare este neuniformă, folosiți o pilă pentru a reface muchiile și părțile laterale, astfel încât acestea să fie drepte.



Înlocuiți lama de ghidare când canelura este uzată, când lama de ghidare este îndoită sau crăpată sau când are loc o supraîncălzire sau o debavurare a lamei. Dacă este necesară înlocuirea, utilizați doar bara de ghidare specificată pentru ferăstrăul dvs., conform listei de piese de schimb sau a decalajului aflat pe ferăstrău.

## SCHIMBAREA/INVERSAREA LANȚULUI DE FERĂSTRĂU ȘI A LAMEI

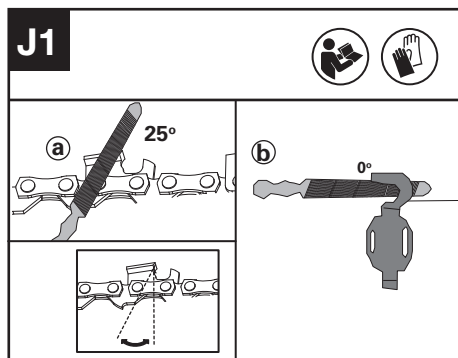
Înlocuiți lanțul de ferăstrău când dispozitivele de tăiere sunt prea uzate pentru a mai fi ascuțite sau când lanțul se rupe. Utilizați doar lanțul de schimb menționat în acest manual.

Verificați lama de ghidare înainte de a ascuți lanțul. O lamă de ghidare uzată sau deteriorată este nesigură și va deteriora lanțul de ferăstrău și va îngreuna operațiunea de tăiere.

## ASCUȚIREA LANȚULUI DE FERĂSTRĂU

**AVERTISMENT:** Scoateți acumulatorul din ferăstrău înainte de service. Electrocutarea sau contactul cu lanțul de tăiere aflat în mișcare poate cauza răni grave sau deces. Muchiile de tăiere ale lanțului sunt ascuțite. Utilizați mănuși de protecție când manevrați lanțul. Mențineți lanțul ferăstrăului ascuțit. Veți tăia mai rapid și mai sigur. Un lanț de ferăstrău tocit va cauza uzura rapidă a roții de lanț, lamei de ghidare, lanțului de ferăstrău și motorului. Dacă trebuie să forțați pătrunderea lanțului de ferăstrău în lemn și tăierea produce doar rumeguș cu câteva așchii mari, lanțul de ferăstrău este uzat.

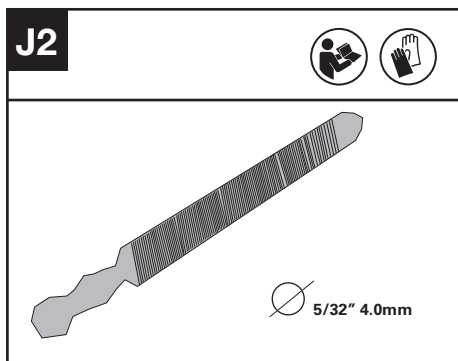
Înainte de ascuțire, acordați atenție următorilor pași: (Vezi Fig. J1)



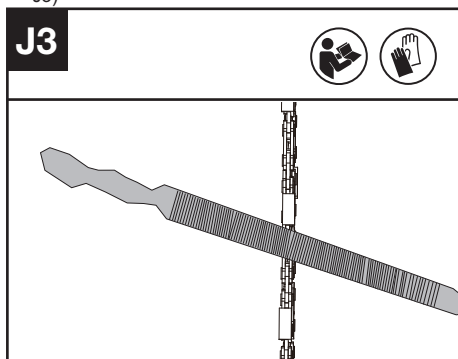
a: Unghiul de pilire; b: poziția pilei.

### Cum să ascuțiți cuțitele

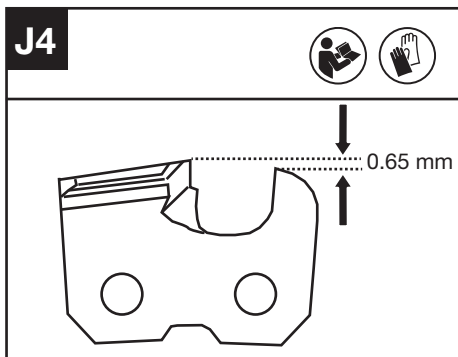
1. Pregătiți o pilă rotundă pentru a ascuți cuțitul. (Vezi Fig. J2). **NOTĂ:** fixați bine bara de ghidaj într-o menghină înainte de a ascuți lanțul. Asigurați-vă că lanțul nu este „blocat” și că se poate mișca liber pe bara de ghidaj. Verificați dacă lanțul este tensionat corect. (Consultați secțiunea „Tensionarea lanțului”).



2. Ascuțiți cuțitele cu pila, dinspre partea interioară a dinților de tăiere spre exteriorul lanțului. (Vezi Fig. J3)



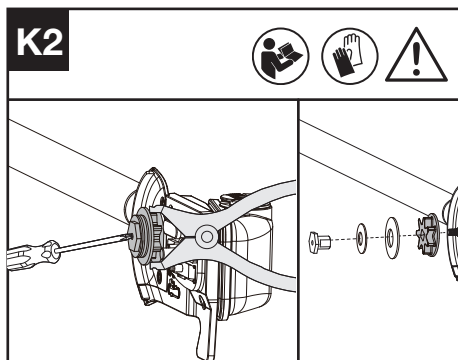
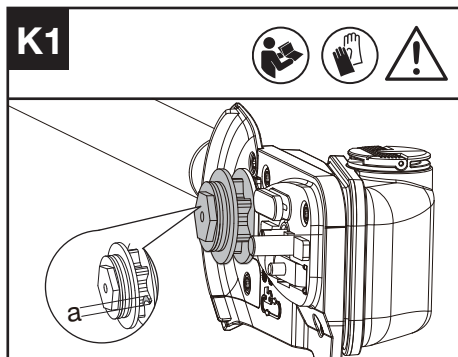
3. Piliți toate cuțitele de pe o parte a barei de ghidaj.  
 4. Întoarceți drijba și piliți toate cuțitele de pe partea opusă.  
 5. Asigurați-vă că lungimea tuturor dinților de tăiere este aceeași. Pentru a asigura o tăiere eficientă, sigură și netedă, reglați înălțimea indicatorului de măsurare a adâncimii la 0,65 mm. Asigurați-vă că marginea din față a indicatorului de măsurare a adâncimii este rotunjită. (Vezi Fig. J4)



## INSPECTAREA ȘI ÎNTREȚINEREA ROȚII DE ANTRENARE A LANȚULUI

**⚠️ ATENȚIE:** Înainte de verificare, este obligatoriu să opriți ferăstrăul și să îndepărtați bateria.

1. Îndepărtați capacul roții dintate, lanțul de ferăstrău și bara de ghidare.
2. Verificați dacă urmele de uzură sunt mai adânci de  $a = 0,5$  mm, așa cum este arătat în Fig. S1; dacă da, atunci roata lanțului trebuie înlocuită. (Vezi Fig. K1)
3. Când înlocuiți roata lanțului, fixați roata cu clește și utilizați un șurubelniță pentru a slăbi piulița și a o înlocui. (Vezi Fig. K2)



## CURĂȚAREA

1. Opriți ferăstrăul și scoateți bateria.
2. Nu utilizați detergenți sau solvenți agresivi. Curățați aparatul după utilizare cu o cârpă umedă înmuiată în detergent delicat.
3. Păstrați conexiunea acumulatorului fără murdărie și reziduuri și curățați acumulatorul cu o perie sau o cârpă moale și uscată.
4. Nu pulverizați apă pe motor și pe componentele electrice.

5. Nu utilizați aparatul de spălat cu presiune pentru a vă curăța aparatul.

## DEPOZITAREA

1. Scoateți bateria de pe ferăstrău înainte de depozitare.
2. Depozitați ferăstrăul și bateria într-un loc uscat și sigur, inaccesibil copiilor și altor persoane neautorizate.
3. Odată udate în ploaie în timpul funcționării, mașina și bateria trebuie să fie uscate înainte de a fi depozitate sau încărcate. Scoateți bateria și reintroduceți-o dacă mașina nu reușește să pornească.

## DEPANAREA

În cazul în care scula electrică nu funcționează impecabil, tabelul următor vă prezintă simptomele defecțiunilor, cauzele posibile cât și măsurile de remediere. Dacă prin aceasta nu puteți identifica și înlătura problema, adresați-vă atelierului dumneavoastră de service.



**ATENȚIE: înainte de detectarea defecțiunilor, deconectați ferăstrăul cu lanț și extrageți acumulatorul.**

Simptom	Cauze posibile	Soluție posibilă
Ferăstrăul nu poate fi acționat	Baterie descărcată	Încărcați acumulatorul
RO Rod a văzut operația intermitentă	Supraîncălzire	Duceți mașina într-un loc răcoros și bine aerisit, și așteptați răcirea ei.
	Exercitați o presiune prea mare în timpul tăierii.	Exercitați o presiune mai mică în timpul operațiunii de tăiere.
	Conexiune slabă	Contactați agentul de service
	Cabluri interne slăbit	
	Declanșatorul pornit/oprit este defect.	
Lanțul de ferăstrău este uscat.	Nu există ulei în rezervor	Completați cu ulei
	Aerisirea din capacul de umplere cu ulei este înfundată	Curățați capacul de umplere cu ulei
	Canalul de scurgere a uleiului este înfundat	Curățați canalul de scurgere a uleiului
Lanțul/Bara lanțului se supraîncălzeste.	Nu există ulei în rezervor	Completați cu ulei
	Aerisirea din capacul de umplere cu ulei este înfundată	Curățați capacul de umplere cu ulei
	Canalul de scurgere a uleiului este înfundat	Curățați canalul de scurgere a uleiului
	Lanțul de ferăstrău este întins prea tare	Reglați butonul rotativ de blocare
	Lanțul de ferăstrău este tocit.	Ascuțiți sau înlocuiți lanțul de ferăstrău
Lacrima de fierăstrău extrem, vibrația, ferăstrăul nu este corectă	Lanțul nu este întins suficient	Reglați întinderea lanțului
	Lanțul de ferăstrău este tocit	Ascuțiți sau înlocuiți lanțul de ferăstrău
	Lanțul de ferăstrău este uzat	Înlocuiți lanțul de ferăstrău
	Dinții de ferăstrău sunt îndreptați în direcția greșită	Montați corect lanțul de ferăstrău

## DATE TEHNICE

	KAC361
Lungimea lamei de ghidare	25 cm
Viteză lanț	Viteza mare: 17 m/s Viteza redusă: 13 m/s
Capacitate rezervor ulei	160 ml
Pas lanț	3/8" LP
Grosimea lanțului	1.1 mm
Grad de protecție	IPX4
Greutatea aparatului	1.8 kg

## COMBINATIONS OF CUTTING ATTACHMENTS

### Accesorii de tăiere

KAC333-10"/25cm 0.043"/1.1mm 3/8 LP Lamă de ghidare

KAC302-10"/25cm 0.043"/1.1mm 3/8 LP Lanț de ferăstrău

KAC335-12"/30cm 0.043"/1.1mm 3/8 LP Lamă de ghidare

KAC304-12"/30cm 0.043"/1.1mm 3/8 LP Lanț de ferăstrău

## INFORMAȚII CU AX DE EXTENSIE (KAC360) INFORMAȚII PRIVIND ZGOMOTUL

Presiune sonică ponderată

$$L_{pA} = 79 \text{ dB(A)}$$
$$K_{pA} = 3,0 \text{ dB(A)}$$

Putere acustică ponderată

$$L_{WA} = 94,1 \text{ dB(A)}$$
$$K_{WA} = 1,1 \text{ dB(A)}$$

Purtați echipament de protecție pentru urechi.



## INFORMAȚII DESPRE VIBRAȚII

Valori totale vibrații (sumă vectorială triaxială) determinată conform EN ISO 11680-1.

Valoarea de emisie a vibrației	$a_h = 1,3 \text{ m/s}^2$
	Incertitudinea $K = 1,5 \text{ m/s}^2$

## INFORMAȚII FĂRĂ AX DE EXTENSIE INFORMAȚII PRIVIND ZGOMOTUL

Presiune sonică ponderată

$$L_{pA} = 82 \text{ dB(A)}$$
$$K_{pA} = 3,0 \text{ dB(A)}$$

Putere acustică ponderată

$$L_{WA} = 93 \text{ dB(A)}$$
$$K_{WA} = 1,5 \text{ dB(A)}$$

Purtați echipament de protecție pentru urechi.



# INFORMAȚII DESPRE VIBRAȚII

Valori totale vibrații (sumă vectorială triaxială)  
determinată conform EN ISO 11680-1.

Valoarea de emisie a vibrației	$a_n = 1,87 \text{ m/s}^2$
	Incertitudinea $K = 1,5 \text{ m/s}^2$

Valoarea totală declarată a vibrațiilor poate fi utilizată pentru compararea unei uneelte cu o alta și, de asemenea, poate fi utilizată în cazul unei evaluări preliminare a expunerii.

**!** AVERTISMENT: Valoarea de emisie a vibrației în timpul folosirii efective a sculei electrice poate diferi de valoarea declarată în funcție de modurile în care este folosită scula, ce depind de exemplele următoare și de variații ale modului de utilizare a sculei:

Modul în care scula este folosită și tipul de materiale tăiate sau sfredelite.

Scula este în stare bună de funcționare și bine întreținută

Folosirea accesoriului corect pentru sculă și păstrarea acesteia în condiții bune.

Strângerea corespunzătoare a mânerelor și dacă se folosesc accesorii anti-vibrație.

Scula este folosită conform indicațiilor din fabrică și conform acestor instrucțiuni.

Această sculă poate cauza sindromul vibrație mână-brăț dacă nu este folosită în mod corespunzător.

**!** AVERTISMENT: Pentru a fi corectă, estimarea nivelului de expunere în condiții concrete de folosire trebuie să ia în considerare toate părțile ciclului de operare cum ar fi de câte ori scula este oprită și cât timp este pornită dar nu lucrează. Acest lucru poate reduce semnificativ nivelul de expunere de-a lungul perioadei de lucru totale.


Ajută la micșorarea riscului de expunere la vibrații. Utilizați ÎNTOTDEAUNA dălți, burghie și pânze ascuțite

Păstrați unealta electrică în conformitate cu aceste instrucțiuni și aveți grijă de lubrifierea ei corespunzătoare (dacă e cazul).

Dacă această unealtă electrică este utilizată în mod constant, atunci achiziționați și accesorii anti-vibrație.

Planificați-vă astfel programul de lucru încât unelele electrice cu vibrații mari să fie utilizate de-a lungul mai multor zile.

## PROTECȚIA MEDIULU

 Produsele electrice nu trebuie depuse la deșeuri împreună cu gunoiul menajer. Vă rugăm să depuneți produsele electrice la unitățile de reciclare existente. Consultați-vă cu autoritățile locale sau cu distribuitorul pentru sfaturi privind reciclarea.

# DECLARAȚIE DE CONFORMITATE

SUBSEMNAȚII,  
Positec Germany GmbH  
Postfach 680194, 50704 Cologne, Germany

În numele Positec declarăm că produsul  
**Descriere:** Ferăstrău telescopic cu acumulator  
**Tip:** KAC361 (indicația aparatului, reprezentativă pentru ferăstrăul)

**Funcție:** Tăierea ramurilor înalte

Respectă următoarele Directive,  
**2006/42/EC, 2014/30/EU, 2011/65/EU & (EU)2015/863, 2000/14/EC modificată prin 2005/88/EC**

Organismul notificat implicat  
Nume: Intertek Deutschland GmbH (organism notificat 0905)  
Adresa: Stangenstraße 1, 70771 LEINFELDEN-ECHTERDINGEN  
Nr. certificare: 24SHW0160

### Informații cu ax de extensie (KAC360)

2000/14/EC modificată prin 2005/88/EC:

- Procedură de evaluare a conformității conformă cu Anexa V
- Nivel de putere sonoră măsurat 94 dB(A)
- Nivel de putere sonoră garantat declarat 96 dB(A)

### Informații fără ax de extensie

2000/14/EC modificată prin 2005/88/EC:

- Procedură de evaluare a conformității conformă cu Anexa V
- Nivel de putere sonoră măsurat 93 dB(A)
- Nivel de putere sonoră garantat declarat 95 dB(A)

Se conformează standardelor,  
**EN 62841-1, EN ISO 11680-1, EN ISO 3744, EN IEC 55014-1, EN IEC 55014-2, EN IEC 63000**

Persoana autorizată să completeze fișierul tehnic,  
**Denumire Marcel Filz**  
**Adresă Positec Germany GmbH**  
**Postfach 680194, 50704 Cologne, Germany**



2024/01/26

Allen Ding  
Adjunct Inginer șef, Testare și certificare  
Positec Technology (China) Co., Ltd.  
18, Dongwang Road, Suzhou Industrial  
Park, Jiangsu 215123, P. R. China



# SPIS TREŚCI

Wprowadzenie.....	153
Lista komponentów.....	154
Bezpieczeństwo produktu.....	155
Montaż i obsługa.....	158
Smarowanie łańcucha.....	161
Działanie.....	161
Transport.....	163
Konserwacja piły.....	163
Czyszczenie.....	166
Przechowywanie.....	166
Rozwiązywanie problemów.....	166
Dane techniczne.....	167
Deklaracja zgodności.....	169

PL

## WPROWADZENIE

Drogi kliencie,

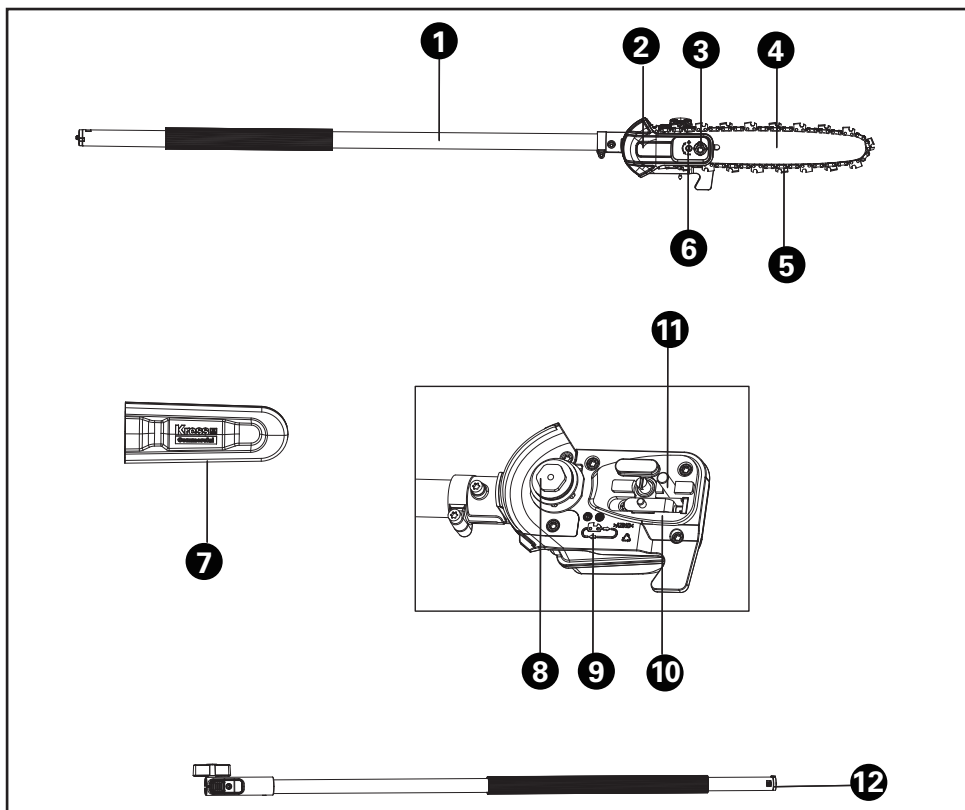
Dziękujemy za zakup produktu Kress Commercial. Jesteśmy zaangażowani w rozwój wysokiej jakości produktów, aby spełnić Państwa wymagania dotyczące komercyjnej architektury krajobrazu.

Marka Kress jest synonimem najwyższej jakości usług. Przez lata eksploatacji produktu, w razie jakichkolwiek pytań lub wątpliwości jego dotyczących, prosimy o kontakt ze sprzedawcą lub naszym Działem Obsługi Klienta w celu uzyskania pomocy.

Jesteśmy przekonani, że będą Państwo cieszyć się pracą z produktem Kress przez wiele lat.

## PRZEZNACZENIE

W połączeniu z KAC104 - głowicą napędową, Pilarka na wysięgniku jest przeznaczona do cięcia i przycinania gałęzi znajdujących się poza zasięgiem rąk. Wszystkie cięcia powinny przebiegać w poprzek słojów. Produkt ten jest przeznaczony wyłącznie do cięcia drewna.



## LISTA KOMPONENTÓW

- |     |                          |
|-----|--------------------------|
| 1.  | WAŁ                      |
| 2.  | POKRYWA CZĘŚCI NAPĘDOWEJ |
| 3.  | NAKRĘTKA SZEŚCIOKĄTNA    |
| 4.  | PROWADNICA               |
| 5.  | ŁAŃCUCH                  |
| 6.  | ŚRUBA NAPINAJĄCA ŁAŃCUCH |
| 7.  | POCHWA NA OSTRZE         |
| 8.  | ZĘBATKA NAPĘDOWA         |
| 9.  | SYMBOL KIERUNKU ŁAŃCUCHA |
| 10. | PODKŁADKA POD PASEK      |
| 11. | KOLEK USTALAJĄCY PRĘTA   |
| 12. | WAŁEK PRZEDŁUŻAJĄCY *    |

\* Nie wszystkie pokazane na ilustracji akcesoria są dostarczane standardowo.

# INSTRUKCJA ORYGINALNA BEZPIECZEŃSTWO PRODUKTU OGÓLNE OSTRZEŻENIA DOTYCZĄCE BEZPIECZEŃSTWA PODCZAS PRACY Z ELEKTRONARZĘDZIAMI



**OSTRZEŻENIE** Przeczytaj wszystkie ostrzeżenia, instrukcje, ilustracje i specyfikacje dostarczone z elektronarzędziem. Niestosowanie się do podanych wskazówek może spowodować porażenie prądem, pożar i / lub ciężkie obrażenia ciała.

**Należy dobrze przechowywać te przepisy.**

Użyte w dalszej części pojęcie „elektronarzędzie” odnosi się do elektronarzędzi napędzanych prądem (z kablem zasilającym) i do elektronarzędzi napędzanych akumulatorami (bez kabla zasilającego).

## 1) Miejsce pracy

- a) **Miejsce pracy należy utrzymywać w czystości i dobrze oświetlone.** Nieporządek i nie oświetlane zakresy pracy mogą doprowadzić do wypadków.
- b) **Nie należy pracować tym narzędziem w otoczeniu zagrożonym wybuchem, w którym znajdują się np. łatwopalne ciecze, gazy lub pyły.** Elektronarzędzia wywołują iskry, które mogą podpalić ten pył lub parę.
- c) **Elektronarzędzie trzymać podczas pracy z daleka od dzieci i innych osób.** Przy odwróceniu uwagi można stracić kontrolę nad narzędziem.

## 2) Bezpieczeństwo elektryczne

- a) **Wtyczka urządzenia musi pasować do gniazda. Nie wolno zmieniać wtyczki w jakikolwiek sposób. Nie należy używać wtyczek adapterowych razem z uzziemionymi narzędziami.** Niezmienione wtyczki i pasujące gniazda zmniejszają ryzyko porażenia prądem.
- b) **Należy unikać kontaktu z uzziemionymi powierzchniami jak rury, grzejniki, piece i lodówki.** Istnieje zwiększone ryzyko porażenia prądem, gdy Państwa ciało jest uzziemione.
- c) **Nie obsługuj urządzenia w deszczu ani wilgoci. Może to zwiększyć ryzyko porażenia prądem.** Po zamoczeniu w deszczu podczas pracy, urządzenie i akumulator powinny być wysuszone przed przechowywaniem lub ładowaniem. Wyjmij akumulator i włóż go ponownie, jeśli urządzenie nie będzie się włączało. Utrzymuj połączenie akumulatora wolne od brudu i zanieczyszczeń i czyść je miękką i suchą szmatką lub szmatką.

- d) **Nigdy nie należy używać kabla do innych czynności. Nigdy nie używać kabla do noszenia urządzenia za kabel, zawieszenia lub do wyciągania wtyczki z gniazda. Kabel należy trzymać z daleka od wysokich temperatur, oleju; ostrych krawędzi lub ruchomych części urządzenia.** Uszkodzone lub poplątane kable zwiększają ryzyko porażenia prądem.
- e) **W przypadku, że elektronarzędziem pracuje się na świeżym powietrzu należy używać kabla przedłużającego, który dopuszczony jest do używania na zewnątrz.** Użycie dopuszczonego do używania na zewnątrz kabla przedłużającego zmniejsza ryzyko porażenia prądem.
- f) **Jeśli nie można uniknąć postugiwania się elektronarzędziem w miejscu o dużej wilgotności należy użyć zabezpieczonego zasilacza domowego (RCD).** Stosowanie RCD zmniejsza ryzyko porażenia prądem elektrycznym.

## 3) Bezpieczeństwo osób

- a) **Należy być uważnym, zważać na to co się robi i pracę elektronarzędziem rozpoczynając z rozsądkiem. Nie należy używać urządzenia gdy jest się zmęczonym lub pod wpływem narkotyków, alkoholu lub leków.** Moment nieuwagi przy użyciu urządzenia może doprowadzić do poważnych obrażeń ciała.
- b) **Należy nosić osobiste wyposażenie ochronne i zawsze okulary ochronne.** Noszenie osobistego wyposażenia ochronnego jak maska przeciwpyłowa, nie ślizgające się buty robocze, hełm ochronny lub ochrona słuchu, w zależności od rodzaju i użycia elektronarzędzia zmniejsza ryzyko obrażeń ciała.
- c) **Należy zapobiec przypadkowemu uruchomieniu. Przed podłączeniem do sieci zasilającej i/lub zestawu baterii, podniesieniem urządzenia i przenoszeniem urządzenia należy sprawdzić, czy przełącznik znajduje się w pozycji wyłączenia.** W przypadku, że przy noszeniu urządzenia trzyma się palec na włączniku/ wylączniku lub włączone urządzenie podłączone zostanie do prądu, to może to doprowadzić do wypadków.
- d) **Zanim urządzenie zostanie włączone należy usunąć narzędzia nastawcze lub klucze.** Narzędzie lub klucz, które znajdują się w ruchomych częściach urządzenia mogą doprowadzić do obrażeń ciała.
- e) **Nie należy przeceniać swoich możliwości. Należy dbać o bezpieczną pozycję pracy i zawsze utrzymywać równowagę.** Przez to możliwa jest lepsza kontrola urządzenia w nieprzewidzianych sytuacjach.
- f) **Należy nosić odpowiednie ubranie. Nie należy nosić luźnego ubrania lub biżuterii.** Wystrzegaj się kontaktu włosów, części odzieży lub rękawic ochronnych z ruchomymi częściami urządzenia.

- g) **W przypadku, że możliwe jest zamontowanie urządzeń odsysających lub podchwytyjących należy upewnić się, czy są one właściwie podłączone i prawidłowo użyte.** Użycie tych urządzeń zmniejsza zagrożenie spowodowane pyłami.
- h) **Częste używanie urządzenia i rutyna może osłabić twoją uwagę i być przyczyną niedotrzymywania zasad bezpieczeństwa.** Nieuważne działanie może spowodować poważne szkody w ułamku sekundy.
- 4) **Staranne obcowanie oraz użycie elektronarzędzi**
- a) **Nie należy przeciążać urządzenia. Do pracy używać należy elektronarzędzia, które jest do tego przewidziane.** Odpowiednim narzędziem pracuje się lepiej i bezpieczniej w podanym zakresie sprawności.
- b) **Nie należy używać elektronarzędzia, którego włącznik/wyłącznik jest uszkodzony.** Elektronarzędzie, którego nie można włączyć lub wyłączyć jest niebezpieczne i musi zostać naprawione.
- c) **Przed przystąpieniem do wykonywania jakichkolwiek regulacji, ustawień wymiany osprzętu lub składowania urządzenia należy odłączyć wtyczkę od źródła zasilania i/lub wyjąć akumulator.** Ten środek ostrożności zapobiega niezamierzonemu włączeniu się urządzenia.
- d) **Nie używane elektronarzędzia należy przechowywać poza zasięgiem dzieci. Nie należy dać narzędzia do użytku osobom, które jego nie znają lub nie przeczytały tych przepisów.** Używane przez niedoświadczone osoby elektronarzędzia są niebezpieczne.
- e) **Dotrzymuj regularnego wykonywania konserwacji urządzenia i osprzętu. Należy kontrolować, czy ruchome części urządzenia funkcjonują bez zarzutu i nie są zablokowane, czy części nie są pęknięte lub uszkodzone, co mogłoby mieć wpływ na prawidłowe funkcjonowanie urządzenia. Uszkodzone części należy przed użyciem urządzenia oddać do naprawy.** Wiele wypadków spowodowanych jest przez niewłaściwą konserwację elektronarzędzi.
- f) **Narzędzia tnące należy utrzymywać ostre i czyste.** Starannie pielęgnowane narzędzia tnące z ostrymi krawędziami tnącymi zablokowują się rzadziej i łatwiej się je prowadzi.
- g) **Elektronarzędzia, osprzęt, narzędzia itd. należy używać odpowiednio do tych przepisów i tak, jak jest to przewidziane dla tego specjalnego typu urządzenia. Uwzględnić należy przy tym warunki pracy i czynność do wykonania.** Użycie elektronarzędzi do innych niż przewidziane prace może doprowadzić do niebezpiecznych sytuacji.
- h) **Uchwyty oraz powierzchnie elementów obsługi urządzenia utrzymywać suche, czyste, bez oleju i smaru. Śliskie uchwyty**

oraz inne powierzchnie stanowią przeszkodę w bezpiecznej obsłudze i kontroli nad narzędziem w nieoczekiwanych sytuacjach.

- 5) **Staranne użytkowanie elektronarzędzi napędzanych akumulatorami**
- a) **Akumulatory należy ładować tylko w ładowarkach, które poleci producent.** Dla ładowarki, która nadaje się do ładowania określonych akumulatorów istnieje niebezpieczeństwo pożaru, gdy użyte zostaną inne akumulatory.
- b) **Do elektronarzędzi należy używać jedynie przewidzianych do tego akumulatorów.** Użycie innych akumulatorów może doprowadzić do obrażeń ciała i niebezpieczeństwa pożaru.
- c) **Nie używany akumulator należy trzymać z daleka od spinaczy, monet, kluczy, gwoździ, śrub lub innych małych przedmiotów metalowych, które mogłyby spowodować zmostkowanie kontaktów.** Zwarcie pomiędzy kontaktami akumulatora może spowodować oparzenia lub pożar.
- d) **Przy niewłaściwym użyciu możliwe jest wydostanie się cieczy z akumulatora. Należy unikać kontaktu z nią. Przy przypadkowym kontakcie spłukać wodą. W przypadku, że ciecz dostała się do oczu należy dodatkowo skonsultować się z lekarzem.** Ciecz akumulatorowa może doprowadzić do podrażnienia skóry lub oparzeń,
- e) **Zabrania się używania uszkodzonego lub zmodyfikowanego akumulatora lub urządzenia.** Uszkodzone lub zmodyfikowane akumulatorki mogą działać w nieoczekiwany sposób wywołując pożar, eksplozję lub zagrożenie zranienia osób.
- f) **Zabrania się wystawiania akumulatora lub urządzenia na działanie ognia lub podwyższonej temperatury.** Działanie ognia lub temperatury przekraczającej 130 °C może spowodować eksplozję.
- g) **Kierować się instrukcjami dotyczącymi sposobu ładowania, nie wystawiać akumulatora na działanie temperatury poza zakresem podanym w instrukcji obsługi.** Niewłaściwy sposób ładowania akumulatora lub działanie temperatury poza zakresem podanym w instrukcji, może być przyczyną uszkodzenia akumulatora lub nastanie podwyższonego ryzyka wybuchu pożaru.
- 6) **Serwis**
- a) **Naprawę urządzenia należy zlecić jedynie kwalifikowanemu fachowcowi i przy użyciu oryginalnych części zamiennych.** To gwarantuje, że bezpieczeństwo urządzenia zostanie zachowane.
- b) **Zabrania się dokonywania naprawy uszkodzonego akumulatora.** Naprawę akumulatora może wykonywać wyłącznie producent lub autoryzowany punkt serwisowy..

# OSTRZEŻENIE DOTYCZĄCE BEZPIECZEŃSTWA PIŁY PRĘTOWEJ

1. Trzymaj piłę tnącą w wystarczającej odległości od napowietrznej linii energetycznej.
2. Należy zwrócić uwagę na niebezpieczeństwo pozycji roboczej, a także ryzyko spadnięcia gałęzi lub uderzeń o ziemię, a operator może zostać uderzony przez spadające gałęzie lub uderzenia gałęziami po uderzeniu o ziemię. Usuń gałęzie w każdej sekcji.
3. W celu obniżenia ryzyka, zabrania się innym osobom przebywania w bezpośredniej bliskości pracującego urządzenia.
4. Podczas pracy z urządzeniem stać w stabilnej pozycji i utrzymywać równowagę. Urządzenie eksploatować wraz z dostarczonym poprzęgiem.
5. Używaj środków ochrony indywidualnej podczas pracy, w tym słuchu ochrony, ochrony oczu (przyłbica lub okulary) i ochrona głowy i odzież.

# INSTRUKCJA BEZPIECZEŃSTWA DOTYCZĄCA MODUŁU AKUMULATORA





- a) Nie demontuj, nie otwieraj lub nie niszczy ogniw pomocniczych lub modułu akumulatora.
- b) Nie zwieraj ognia lub modułu akumulatora. Nie przechowuj ognia lub modułu akumulatora w sposób bezładny w pudle lub szufladzie, gdzie mogą się wzajemnie zewrzeć lub ulec zwarceniu przez inne metalowe przedmioty. Nie używany akumulator należy trzymać z daleka od spinaczy, monet, kluczy, gwoździ, śrub lub innych małych przedmiotów metalowych, które mogłyby spowodować zmostkowanie kontaktów. Zwarcie pomiędzy kontaktami akumulatora może spowodować oparzenia lub pożar.
- c) Nie narażaj ogień lub modułu akumulatora na działanie ciepła lub ognia. Unikaj składowania w miejscach pod bezpośrednim działaniem światła słonecznego.
- d) Nie narażaj ogień lub modułu akumulatora na uderzenia mechaniczne.
- e) W razie wycieku z ognia, nie dopuść, aby płyn zetknął się ze skórą lub dostał się do oczu. Jeśli już nastąpił kontakt z płynem,










przejmij skażoną powierzchnię dużą ilością wody i zwróć się o pomoc medyczną.




- f) Utrzymuj ogniwa i moduł akumulatora w czystości i w stanie suchym.
- g) Jeśli zaciski ogniwa lub akumulatora zostały zanieczyszczone, oczyść je czystą i suchą szmatką.
- h) Ogniwa pomocnicze i moduł akumulatora należy przed użyciem naładować. Zawsze używaj właściwej ładowarki i przestrzegaj instrukcji ładowania zawartej w instrukcji obsługi dostarczonej przez producenta urządzenia.
  - i) Nie pozostawiaj modułu akumulatora na długie ładowanie, jeśli go nie używasz.
  - j) Po dłuższym okresie składowania może być niezbędne kilkukrotne naładowanie i rozładowanie ogniw lub modułu akumulatora, aby uzyskać optymalną wydajność.
  - k) Akumulatory należy ładować tylko w ładowarkach, które polecił producent.
  - l) Nie używaj ognia lub modułu akumulatora nie przeznaczonego do pracy z danym urządzeniem.
  - m) Trzymaj ogniwa i moduł akumulatora poza zasięgiem dzieci.
  - n) Zachowaj oryginalne instrukcje produktu do wglądu.
  - o) Kiedy to możliwe, wyjmuj moduł akumulatora, jeśli urządzenia się nie używa.
  - p) Zużyte ogniwa i akumulatory utylizuj zgodnie z zasadami gospodarki odpadami.
  - q) Nie używaj w urządzeniu ogniw różnych producentów, pojemności i wymiarów.
  - r) Akumulatora nie należy zbliżać do źródeł promieniowania mikrofalowego ani narażać na wysokie ciśnienie.
  - s) Ostrzeżenie! Nie używać baterii jednorazowych.

PROSIMY ZACHOWAĆ TĘ INSTRUKCJĘ  
OBSŁUGI

## SYMBOLE

	Abym zmniejszyć niebezpieczeństwo odniesienia obrażeń, użytkownik powinien przeczytać podręcznik z instrukcjami.
	OSTRZEŻENIE
	Używać ochrony słuchu.
	Używać ochrony wzroku.

	Używać maski przeciwpyłowej.
	Stosować ochronę głowy
	Należy zakładać okulary ochronne
	Obuwie ochronne
	Zachować odpowiednią odległość od linii napięcia
	Bateria litowo-jonowa. Ten produkt oznaczono symbolem „segregacji odpadów” dla zużytych baterii i akumulatorów. Umożliwia to jego recykling i demontaż, które zmniejszają negatywny wpływ na środowisko. Pakiety akumulatorów są niebezpieczne dla środowiska i dla ludzkiego życia, gdyż zawierają niebezpieczne substancje.
	
	Nie wrzucać do ognia
	Nieprawidłowo utylizowane baterie mogą dostać się do obiegu wodnego, co jest groźne dla ekosystemu. Nie wyrzucaj baterii wraz z niesortowanymi odpadami miejskimi.

	<p>Odpady wyrobów elektrycznych nie powinny być wyrzucane razem z odpadami gospodarstwa domowego. Należy korzystać z recyklingu, jeśli istnieje odpowiednia infrastruktura. Porady dotyczące recyklingu można uzyskać u władz lokalnych lub sprzedawcy detalicznego.</p>
	<p>Utylizacja przyjazna dla środowiska. Zużytych urządzeń elektrycznych nie wolno wyrzucać wraz z odpadami domowymi, lecz utylizować je osobno. Utylizacja w komunalnym punkcie zbiórki przez osoby prywatne jest bezpłatna. Właściciel zużytych urządzeń jest odpowiedzialny za ich odstawienie do tych lub podobnych punktów zbiórki. Tym niewielkim wysiłkiem osobistym przyczyniasz się do recyklingu cennych surowców oraz przetwarzania odpadów toksycznych</p>
	Odblokować
	Zablokować

## MONTAŻ I OBSŁUGA



**Uwaga:** Przed użyciem narzędzia przeczytać uważnie instrukcję obsługi.

## MONTAŻ



**OSTRZEŻENIE!** Zabrania się zainstalowania akumulatora przed jego kompletnym zmontowaniem.

Przy obchodzeniu się łańcuchem piły należy zawsze nosić rękawice.

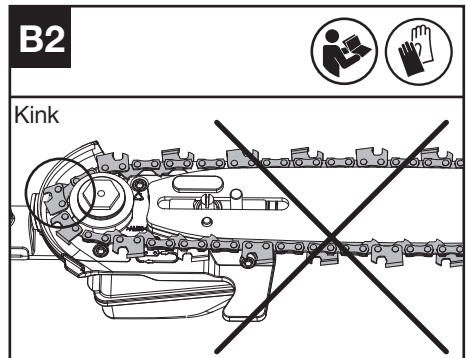
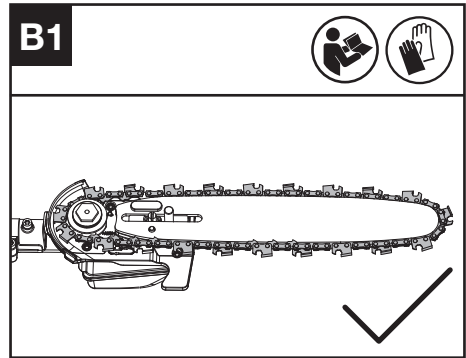
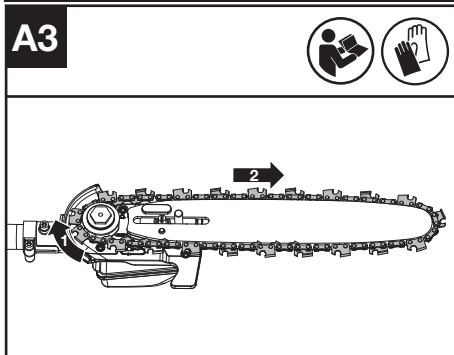
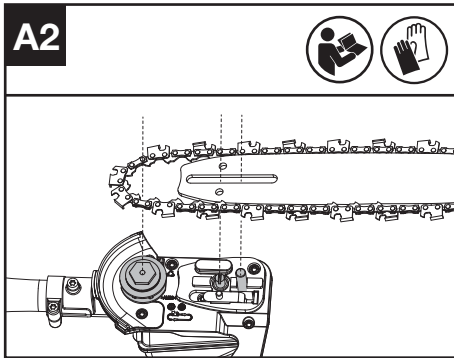
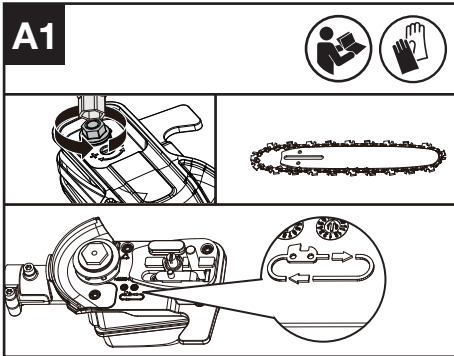
### MONTAŻ ŁAŃCUCHA I PROWADNICY

1. Poluzuj nakrętkę sześciokątną, aby zdjąć pokrywę napędu. Wsuń łańcuch w szczelinę wokół prowadnicy. Upewnij się, czy łańcuch biegnie we właściwym kierunku. (Patrz rys. A1)
2. Załóż łańcuch na zębatkę napędową tak, aby kółek ustalający prowadnicę na podkładce prowadnicy wpasował się w rowek w otworze prowadnicy. (Patrz rys. A2, A3)
3. Upewnij się, czy wszystkie części są prawidłowo osadzone. Upewnij się, czy ogniwa napędowe są całkowicie osadzone w kole napędowym (patrz rys. B1), unikając załamań, jak pokazano na rys. B2. Jeśli wystąpi załamanie, chwyć łańcuch za prowadnicę tuż przed nim, a następnie wyciągnij

je.

**WSKAZÓWKA:** Łańcuch powinien obracać się swobodnie, ale do obracania łańcucha potrzebny jest pewien poziom siły

4. Załóż pokrywę napędu i dokręć nakrętkę sześciokątną.



**! OSTRZEŻENIE:** Łańcuch nie jest jeszcze napięty. Napinanie łańcucha ma zastosowanie zgodnie z opisem w rozdziale „NAPINANIE ŁAŃCUCHA”. W tym momencie łańcuch należy skontrolować w celu upewnienia się, że jest on właściwie napięty.

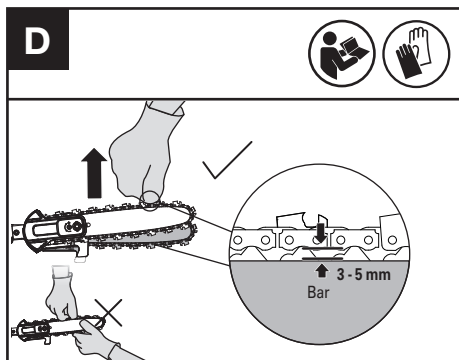
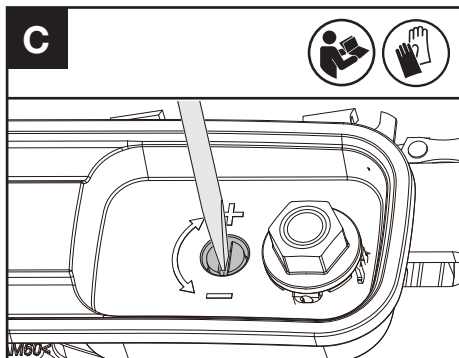
### ŁAŃCUCH NAPINAJĄCY (PATRZ RYS. C, D)

**WSKAZÓWKA:** Nowe łańcuchy pił muszą być osadzone na prowadnicy przy pierwszym użyciu. Przy pierwszym użyciu często sprawdzaj napięcie łańcucha i dokręcaj, gdy łańcuch poluzuje się wokół prowadnicy.

- Wymowianie akumulatora przed regulacją napięcia łańcucha piły.
- Krawędzie tnące łańcucha są ostre. Podczas obsługi łańcucha należy używać rękawic ochronnych.
- Zawsze utrzymuj właściwe napięcie łańcucha. Luźny łańcuch może wyskoczyć z rowka prowadnicy. Może to spowodować obrażenia operatora i uszkodzenie łańcucha. Luźny łańcuch powoduje szybkie zużycie łańcucha, prowadnicy i zębalki.

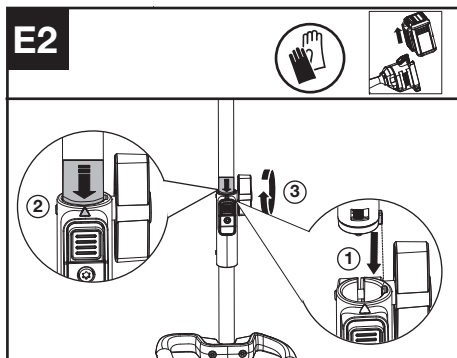
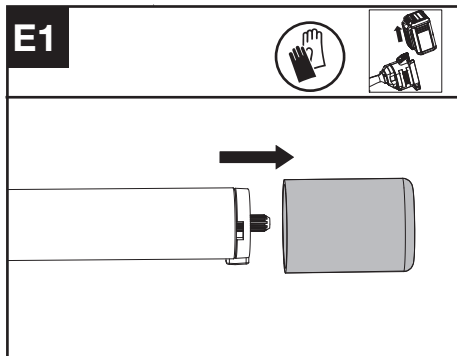
1. Umieść pilarkę na wysięgniku na dowolnej odpowiedniej płaskiej powierzchni i poluzuj nakrętkę sześciokątną.

2. Obracaj śrubę napinającą łańcuch w kierunku zgodnym z ruchem wskazówek zegara, aż będzie mocno dokręcona. (Patrz rys. C)
- WSKAZÓWKA:** Napięcie zwiększa się automatycznie podczas obracania śruby napinającej łańcuch w kierunku zgodnym z ruchem wskazówek zegara. Następnie mocno dokręć nakrętkę sześciokątą.
3. Sprawdź napięcie ustawione przez śrubę napinającą łańcuch. Prawidłowe napięcie łańcucha zostanie osiągnięte, gdy łańcuch będzie można unieść na ok. połowę głębokości układu napędowego od środka prowadnicy. Aby unieść łańcuch pod ciężarem maszyny, należy go złapać ręką w rękawiczce. (Patrz rys. D) Następnie całkowicie należy dokręcić nakrętkę sześciokątą. **WSKAZÓWKA:** Łańcuch jest prawidłowo napięty, gdy można go zdjąć z prowadnicy, a ogniwo napędowe znajduje się w jej szynie. **WSKAZÓWKA:** Łańcuch poluzuje się podczas cięcia i straci właściwe napięcie. Gdy łańcuch się poluzuje, poluzuj nakrętkę sześciokątą, dokręć śrubę napinającą łańcuch, a następnie dokręć nakrętkę sześciokątą, aby prawidłowo ustawić na nowo napięcie łańcucha, wykonując kroki od 1 do 3 opisane wcześniej.

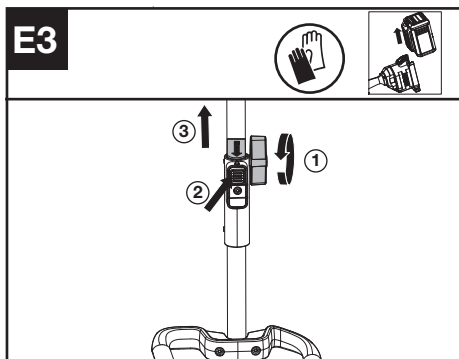


## Montaż i demontaż głowicy napędowej (patrz rys. E1, E2, E3)

1. Zdejmij nasadkę ochronną z końca wałka mocującego.
2. Aby zmontować, wyrównaj ikonę trójkąta na przycisku z etykietą strzałki na wałku mocującym.
3. Dociśnij wałki do siebie, aż usłyszysz „kliknięcie”. Krawędź etykiety ze strzałką powinna znajdować się blisko obudowy połączenia wałka. (Uwaga: Jeśli głowica robocza piły słupowej nie daje się w pełni zamontować w głowicy Kink EN 9, należy obrócić głowicę roboczą piły słupowej, aż możliwe będzie pełne wsunięcie wału.)
4. Zakończ montaż, dokręcając pokrętko w prawo.
5. W celu demontażu należy poluzować pokrętko, przekręcić je w lewo, a następnie nacisnąć przycisk zwalnający i rozsunąć wałki. Załóż osłonę ochronną na wałek mocujący, aby zapobiec przedostawaniu się kurzu i zanieczyszczeń do środka.







Informacje dotyczące montażu i demontażu wału przedłużającego, proszę odnieść się do zdjęć E1, E2 i E3.

## SMAROWANIE ŁAŃCUCHA (ZOBACZ RYS. F)

**WAŻNE:** Pilarka na wysięgniku nie jest napełniona olejem do prowadnic i łańcuchów. Przed użyciem należy koniecznie napełnić olejem prowadnicę i łańcuch. Nigdy nie należy używać pilarki bez oleju do prowadnicy i łańcucha ani nie dopuszczać do opróżnienia zbiornika, ponieważ spowoduje to poważne WSKAZÓWKĄ: Żywotność łańcucha i wydajność cięcia zależą od optymalnego smarowania. Dlatego łańcuch jest automatycznie oliwiony podczas pracy.

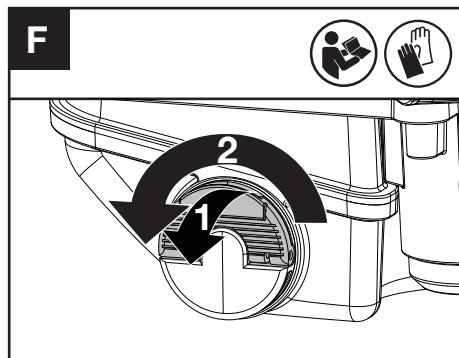
### NAPEŁNIANIE ZBIORNIKA OLEJU:

**OSTRZEŻENIE:** Przed napełnianiem zbiornika oleju należy wyjąć akumulator.

1. Ustaw pilarkę na wysięgniku na dowolnej odpowiedniej powierzchni z korkiem wlewu oleju skierowanym do góry.
2. Wyczyść szmatką obszar wokół korka wlewu oleju i odkręć korek, obracając go w kierunku przeciwnym do ruchu wskazówek zegara.
3. Dodawaj olej do prowadnic i łańcucha, aż zbiornik będzie prawie całkowicie pełny.
4. Unikaj przedostawania się brudu lub zanieczyszczeń do zbiornika oleju, załóż korek wlewu oleju i dokręć go ręką, obracając w kierunku zgodnym z ruchem wskazówek zegara.

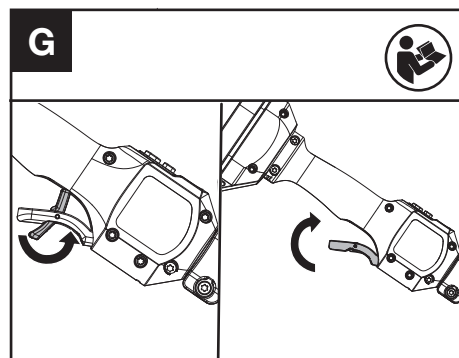
**WAŻNE jest, aby stosować smar do prowadnic i łańcuchów (nie olej samochodowy), który został opracowany tak, aby działał w szerokim zakresie temperatur i nie wymagał rozcieńczenia. Można go znaleźć w miejscu zakupu pilarki lub w lokalnym sklepie z narzędziami. Nie używaj brudnych, zużytych lub w inny sposób zanieczyszczonych olejów. Prowadnica lub łańcuch mogą ulec uszkodzeniu.**

Stosowanie niezatwierdzonego oleju do prowadnic i łańcuchów spowoduje unieważnienie gwarancji. Trzymaj olej poza zasięgiem dzieci. W przypadku połknięcia natychmiast wezwaj lekarza. Przechowywać z dala od źródeł ciepła lub otwartego ognia.



## DZIAŁANIE

### Uruchamianie piły słupowej



1. Naciśnij najpierw dźwignia blokady bezpieczeństwa do przodu, następnie ścisnij i przytrzymaj spust przepustnicy, aby uruchomić maszynę.

**UWAGA:** Więcej szczegółów znajdziesz w instrukcji do głowicy napędowej.

### CIĘCIE

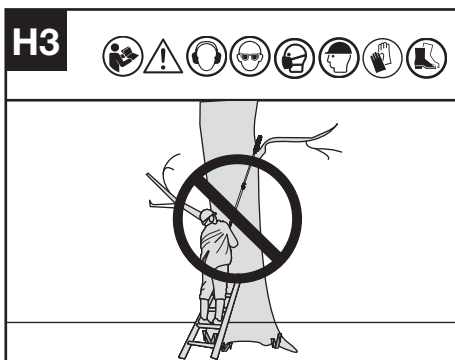
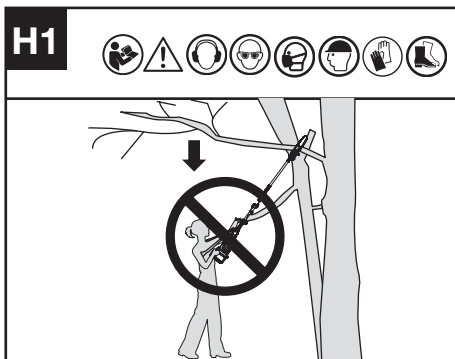
**WAŻNE:** Okresowo sprawdzaj zbiornik oleju. Po każdej wymianie akumulatora należy sprawdzić napięcie ostatnio wymienionego łańcucha.

- (1) Instalowanie zestawu akumulatorów w urządzenie.
- (2) Nie dopuść do kontaktu łańcucha z ziemią podczas pracy, gdyż może to spowodować jego stąpienie.
- (3) Używaj obu rąk do chwytania pilarki.

- (4) Upewnij się, czy Twoje ustawienie ciała jest stabilne. Trzymaj stopy rozstawione na szerokość barków. Rozłóż ciężar równomiernie na obu stopach.
- (5) Gdy będziesz gotowy do cięcia, postępuj zgodnie z powyższymi procedurami uruchamiania i wyboru prędkości. Spowoduje to włączenie pilarki. Zwolnienie spustu spowoduje wyłączenie pilarki. Przed rozpoczęciem cięcia upewnij się, czy pilarka pracuje z pełną prędkością.
- (6) Rozpoczynając cięcie, powoli umieszczaj poruszający się łańcuch na drewnie. Drewno powinno znajdować się jak najbliższe głowicy tnącej. Trzymaj pilarkę mocno w miejscu, aby uniknąć możliwego odbicia lub ślizgania się (ruchu na boki) pilarki.
- (7) Prowadź pilarkę z lekkim naciskiem i nie wywieraj nadmiernej na nią siły, pozwalając pilarce wykonywać swoją pracę. Silnik zostanie przeciążony i może się spalić. Wykona swoją pracę lepiej i bezpieczniej w tempie, do jakiego został przeznaczony.
- (8) Usuń pilarkę z miejsca cięcia, gdy pracuje ona na pełnych obrotach. Zatrzymaj pilarkę. Przed odłożeniem pilarki upewnij się, że łańcuch się zatrzymał.
- (9) Ćwicz na kłodach złomu w bezpiecznym miejscu pracy, aż poczujesz się komfortowo, stosując płynny ruch i stałą prędkość cięcia.

## PRZYCINANIE WYSOKO POŁOŻONYCH GAŁĘZI

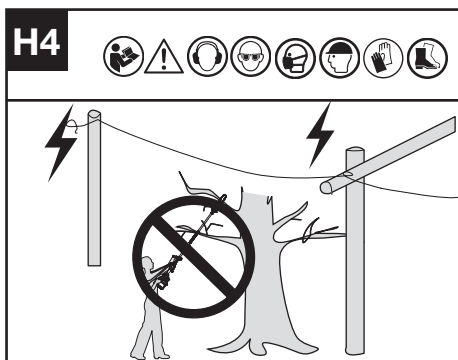
1. Zainstaluj akumulator w maszynie.
2. Przed cięciem wysoko położonej gałęzi należy zwrócić szczególną uwagę na prawdopodobną ścieżkę jej spadania. **OSTRZEŻENIE:** Nie stój bezpośrednio pod ścinaną gałęzią. Utrzymuj osoby postronne z daleka. Podczas używania narzędzia nie stawaj na drabinie ani innym niestabilnym podłożu. Nie używaj narzędzia w pobliżu kabli, linii energetycznych ani telefonicznych. Zachowaj odległość 3 m od wszelkich linii energetycznych. (Patrz rys. H1-H4)



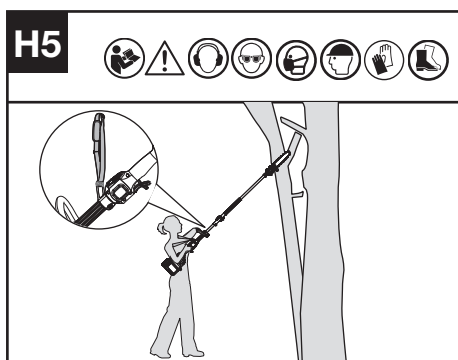
## ZABEZPIECZENIE PRZED ODBICIEM PILARKI

Ta piła posiada łańcuch niskiego odbicia i prowadnicę zredukowanego odbicia. Oba te elementy zmniejszają ryzyko odbicia. Niemniej jednak, odbicie nadal może wystąpić przy użyciu tej piły na kij. Aby zminimalizować ryzyko odbicia, należy przestrzegać poniższych zaleceń:

- Używaj obu rąk, aby chwytać pilarkę, gdy ta pracuje. Utrzymuj mocny chwyt.
- Wszystkie elementy zabezpieczające na pilarce muszą znajdować się na swoim miejscu. Upewnij się, czy działają one prawidłowo.
- Przez cały czas utrzymuj stabilną pozę i równowagę.
- Stań nieco z lewej strony pilarki. Dzięki temu Twoje ciało nie znajduje się w bezpośredniej linii z łańcuchem.
- Nie pozwól, aby końcówka prowadnicy dotykała czegośkolwiek, gdy łańcuch się porusza.
- Nie zakopuj końcówki prowadnicy ani nie próbuj wykonywać cięcia wgłębnego (wiercenia w drewnie za pomocą końcówki prowadnicy).
- Uważaj na przesuwanie się drewna lub inne siły, które mogą zakleszczyć łańcuch.
- Należy zachować szczególną ostrożność podczas ponownego wykonywania poprzedniego cięcia.
- Używaj wyłącznic łańcucha i prowadnicy o niskim odbiciu, które zostały dostarczone z pilarką na wysięgniku lub są zalecane.
- Nigdy nie używaj tępego ani luźnego łańcucha. Utrzymuj łańcuch w stanie ostrym i odpowiednim napięciu.



3. Używaj obu rąk do trzymania piły i cięcia gałęzi.



## PRZYCINANIE DRZEW

**Ostrzeżenie:** wystrzegać się odrzutu. Odrzut może być przyczyną poważnego zranienia lub śmierci.

Zapoznaj się z możliwościami odrzutu, aby uniknąć ryzyka.

**OSTRZEŻENIE:** Nie obsługuj piły na kij podczas

- na drzewie
- na drabinie lub innej niestabilnej powierzchni
- w jakiegokolwiek niewygodnej pozycji

Można stracić kontrolę nad pilarką, powodując poważne obrażenia.

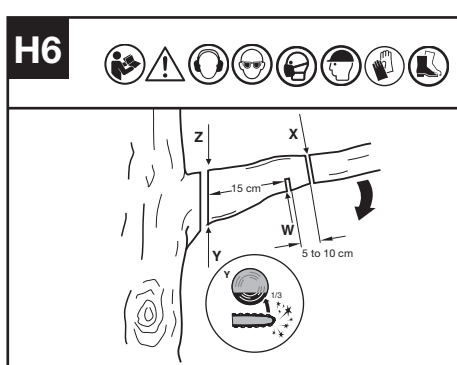
**PRZESTROGA:** W przypadkach, które przekraczają możliwości użytkownika należy wyszukać pomoc fachowca.

Przycinanie drzewa jest procesem cięcia gałęzi na żywym drzewie. Upewnij się, że przyjęta pozycja jest solidna. Utrzymuj ramiona z rozstawionymi stopami.

Rozłóż masę ciała równo na obie stopy.

Przy przycinaniu gałęzi należy kierować się następującymi wskazówkami.

1. Wykonaj pierwsze cięcie kilka cali (c) od pnia drzewa, na spodniej stronie konaru. Aby wykonać to cięcie, użyj górnej części prowadnicy. Przetnij 1/3 średnicy konaru (patrz rys. H6).



2. Przesuń się o kilka cali (30%) dalej w górę konaru. Wykonaj drugie cięcie z góry konaru. Kontynuuj cięcie, aż odetniesz konar.
3. Trzecie cięcie wykonaj jak najbliższej pnia drzewa, całkowicie odcinając pozostały kikut. Użyj dolnej części prowadnicy do wykonania tego cięcia.

## Zalecenia dla narzędzi akumulatorowych

Zalecany zakres temperatury otoczenie wynosi -20 °C~45 °C.

Zalecany zakres temperatury otoczenia dla systemu ładowania, podczas jego ładowania, wynosi od -5 °C~45 °C.

PL

## TRANSPORT

### Transport pilarki na wysięgniku

1. Wyłącz pilarkę na wysięgniku i wyjmij akumulator.
2. Podczas ręcznego transportu pilarki na wysięgniku trzymaj wysięgnik, upewniając się, czy urządzenie jest ustawione równoległe do podłoża, a wysięgnik jest skierowany do tyłu.
3. Podczas transportu pilarki na wysięgniku w pojeździe należy ją zabezpieczyć i ustawić tak, aby zapobiec przesuwaniu się lub uszkodzeniu.

## KONSERWACJA PIŁY

Postępuj zgodnie z instrukcjami konserwacji zawartymi w tej instrukcji. Właściwe czyszczenie i konserwacja pilarki, łańcucha i prowadnicy może zmniejszyć ryzyko zużycia. Sprawdzaj i konserwuj pilarkę po każdym użyciu. Zwiększy to żywotność pilarki. Jeśli podczas pracy pilarka zamoczy się na skutek deszczu, przed przechowywaniem lub ładowaniem należy wysuszyć urządzenie i akumulator.

# KONSERWACJA I PRZECHOWYWANIE PILARKI

## 1. Wyjmij akumulator

- Kiedy nie jest używany
- Przed przeniesieniem się z miejsca na miejsce
- Przed serwisowaniem
- Przed wymianą akcesoriów lub przystawek, takich jak łańcuch i prowadnica

## 2. Sprawdzaj pilarkę na wysięgniku przed i po każdym użyciu.

- Sprawdź dokładnie pilarkę, czy osłona lub inna część nie została uszkodzona. Sprawdź, czy nie występują żadne uszkodzenia, które mogą mieć wpływ na bezpieczeństwo operatora lub działanie pilarki. Sprawdź wyrównanie lub połączenie ruchomych części. Sprawdź, czy nie ma uszkodzonych lub zniszczonych części. Nie używaj pilarki na wysięgniku, jeśli uszkodzenie wpływa na bezpieczeństwo lub działanie. Zleć naprawę uszkodzeń autoryzowanemu centrum serwisowemu.

## 3. Ostrożnie konserwuj piłę na wysięgniku.

- Utrzymuj łańcuch ostry, czysty i nasmarowany, aby zapewnić lepszą i bezpieczniejszą pracę.
- Postępuj zgodnie z instrukcjami opisanymi w tej instrukcji, aby naostrzyć łańcuch.

- Utrzymuj uchwyty suche, czyste i wolne od oleju i smaru.

- Utrzymuj wszystkie śruby i nakrętki mocno dokręcone.

## 4. Podczas serwisowania należy używać wyłącznie identycznych części zamiennych.

## 5. Kiedy pilarka na wysięgniku nie jest używana, zawsze ją przechowuj

- w wysoko położonym lub zamkniętym miejscu znajdującym się poza zasięgiem dzieci
- w suchym miejscu
- z założoną pochwą ochronną

## KONSERWACJA PROWADNICZY

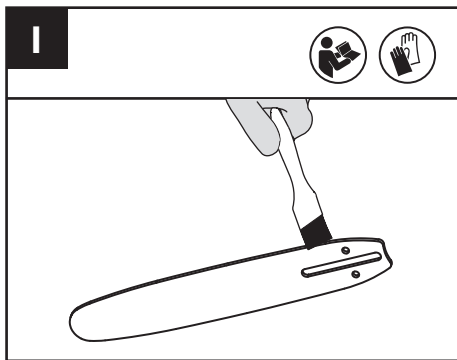
Aby zwiększyć żywotność prowadnicy, zalecane jest wykonywanie poniższych czynności konserwacyjnych. Szyny prowadnicy, które utrzymują łańcuch powinny być czyszczone przed składowaniem narzędzia, bądź gdy okaże się, że prowadnica lub łańcuch są zabrudzone.

Szyny należy czyścić każdorazowo po zdjęciu łańcucha.

Czasami konieczne może być usunięcie zadziórów z szyn przy pomocy płaskiego pilnika

## ABY WYCZYŚCIĆ SZYNY PROWADNICZY

1. Zdejmij osłonę łańcucha, prowadnicę i łańcuch. (patrz sekcja MONTAŻ)
2. Przy użyciu szczotki drucianej, śrubokręta lub podobnego narzędzia oczyść szyny prowadnicy z pozostałości. (Patrz Rys. 1)
3. Upewnij się, że kanałki olejowe są całkowicie wyczyszczone.



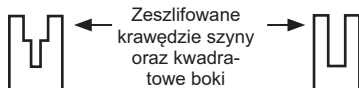
## WARUNKI WYMAGAJĄCE KONSERWACJI ŁAŃCUCHA I PROWADNICZY:

- Cięcie pilarką w jedną stronę lub pod kątem.
- Pilarka przeciętna została przez cięcie.
- Niewystarczający dopływ oleju do prowadnicy i łańcucha.

Sprawdź stan prowadnicy każdorazowo po naostrzeniu łańcucha. Zużyta prowadnica może uszkodzić łańcuch i utrudniać przecinanie.

Po każdym użyciu, gdy urządzenie jest odłączone od źródła zasilania, oczyść prowadnicę i otwór koła napędowego z trocin.

Jeżeli górna część szyny jest nierówna, użyj płaskiego pilnika, aby uzyskać kwadratowe krawędzie i boki.



Rowek wyrobiony

Rowek prawidłowy

Prowadnicę należy wymienić, gdy rowek jest wyrobiony, prowadnica jest wygięta lub pęknięta, bądź pojawi się nadmierne ciepło lub warkot szyn. Jeśli konieczna jest wymiana, używaj tylko prowadnicy określonej dla twojej piły na kij w liście części zamiennych lub na naklejce umieszczonej na piłce na kij.

## WYMIANA/ODWRACANIE ŁAŃCUCHA PIŁY I PROWADNICZY

Łańcuch piły wymienić, kiedy zębki są zbyt mocno zużyte, aby można było je naostrzyć lub w przypadku zerwania łańcucha. Stosować tylko łańcuch zamienny wymieniony w niniejszej instrukcji.

Przed naostrzeniem łańcucha sprawdź prowadnicę. Zużyta lub uszkodzona prowadnica nie jest bezpieczna. Zużyta lub uszkodzona prowadnica nie jest bezpieczna, może uszkodzić łańcuch i utrudnić cięcie.

## OSTRZENIE ŁAŃCUCHA PIŁY



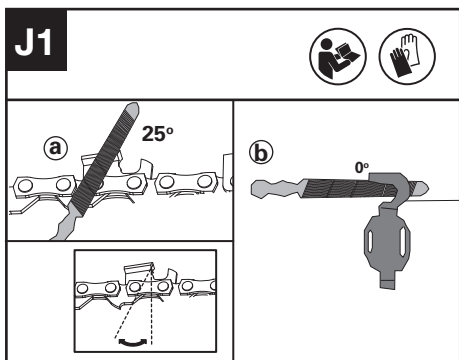
**OSTRZEŻENIE: Wyjąć akumulator z piły przed jej serwisowaniem. Może dojść do**

poważnych obrażeń lub śmierci w przypadku porażenia prądem elektrycznym lub kontaktu ciała z poruszającym się łańcuchem.

**Krawędzie tnące łańcucha są ostre. Zakładać rękawice ochronne w czasie manipulowania łańcuchem.**

Łańcuch powinien być zawsze ostry. Piła będzie cięła szybciej i bezpieczniej. Tępy łańcuch piły powoduje niepotrzebne zużycie koła łańcuchowego, prowadnicy łańcucha oraz silnika. Jeżeli należy dociskać łańcuch do drzewa i cięcie powoduje tylko powstawanie drobnych wiórów z niewielkimi większymi wiórami, oznacza to, że łańcuch piły jest tępy.

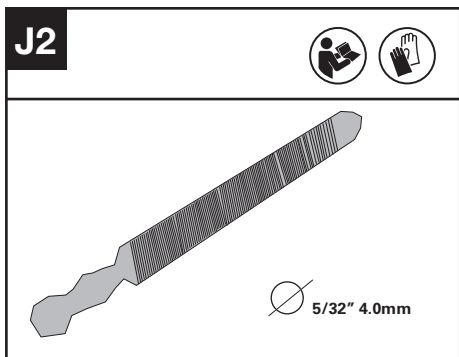
**Before sharpening, please pay attention of the following steps: (Zobacz rys. J1)**



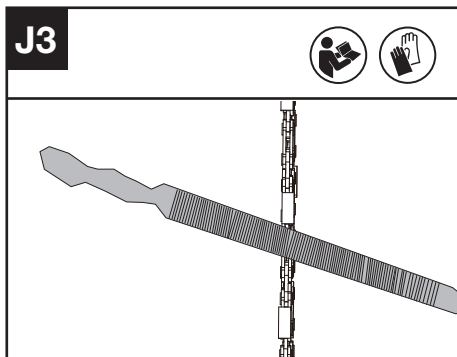
a: Kąt zgłoszenia; b: pozycja pilnika.

#### Jak ostrzyć krajacze

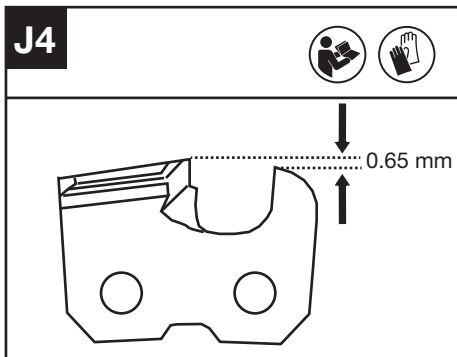
1. Przygotuj okrągły pilnik do ostrzenia zębów tnących. (Zobacz rys. J2). **UWAGA:** Przed przystąpieniem do ostrzenia piły łańcuchowej należy mocno zaciśnąć prowadnicę w imadle. Upewnij się, że łańcuch nie jest „przycięty” i może swobodnie poruszać się po prowadnicy. Sprawdź, czy łańcuch jest prawidłowo napięty. (Patrz rozdział: „Napinianie łańcucha”)



2. Zaostrz zęby tnące pilnikiem od wewnętrznej strony w kierunku na zewnątrz łańcucha. (Zobacz rys. J3)



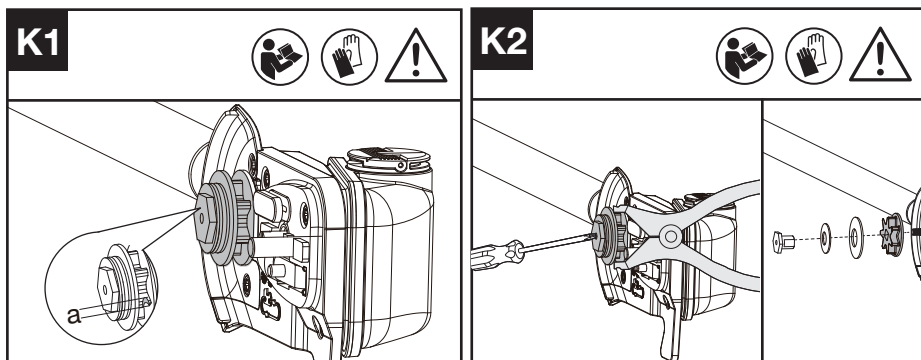
3. Spiluj wszystkie zęby tnące po jednej stronie prowadnicy.
4. Odwróć piłę i spiluj wszystkie zęby tnące po przeciwnej stronie.
5. Upewnij się, że długość wszystkich zębów tnących jest taka sama. Aby zapewnić wydajne, bezpieczne i gładkie cięcia, spiluj wysokość ogranicznika głębokości do 0,65 mm. Upewnij się, że krawędź czolowa ogranicznika głębokości jest zaokrąglona. (Zobacz rys. J4)



## KONTROLA I KONSERWACJA ZĘBATKI ŁAŃCUCHA

**OSTRZEŻENIE:** Przed sprawdzeniem należy **koniecznie wyłączyć pilarkę na wysięgniku i wyjąć akumulator.**

1. Zdejmij osłonę zębatki, łańcuch piły i prowadnicę.
2. Sprawdź, czy ślady zużycia są głębsze niż a= 0,5 mm jak pokazano na rys. S1, jeśli tak, to zębatkę łańcucha należy wymienić. (Patrz rys. K1)
3. Podczas wymiany zębatki łańcucha, kontroluj ją za pomocą szczypic i za pomocą śrubokręta odkręć nakrętkę i wymień ją. (Patrz rys. K2)



## CZYSZCZENIE

1. Wyłącz pilarkę na wycięgniku i wyjmij akumulator.
2. Nie używaj agresywnych detergentów ani rozpuszczalników. Po użyciu wyczyść maszynę wilgotną szmatką zamoczoną w łagodnym detergencie.
3. Utrzymuj złącze akumulatora wolne od brudu i zanieczyszczeń oraz czyść je miękką i suchą szczotką lub ściereczką.
4. Nie rozpylać wody na silnik i elementy elektryczne.
5. Nie używaj myjki ciśnieniowej do czyszczenia urządzenia.

PL

## PRZECHOWYWANIE

1. Przed przechowywaniem wyjmij akumulator z pilarki na wycięgniku.
2. Przechowuj pilarkę na wycięgniku i akumulator w suchym i bezpiecznym miejscu, niedostępnym dla dzieci i innych nieupoważnionych osób.
3. Po zamoczeniu w deszczu podczas pracy, urządzenie i akumulator powinny być wysuszone przed przechowywaniem lub ładowaniem. Wyjmij akumulator i włóż go ponownie, jeśli urządzenie nie będzie się włączać.

## ROZWIĄZYWANIE PROBLEMÓW

W przypadku ewentualnych problemów z funkcjonowaniem elektronarzędzia, w poniższej tabelce znaleźć można różne rodzaje błędów, możliwe ich przyczyny oraz właściwy sposób ich usuwania. Jeżeli za jej pomocą nie uda się zidentyfikować i usunąć usterki, pomocy należy szukać w punkcie serwisowym.



**UWAGA: PRZED PRZYSTĄPIENIEM DO LOKALIZACJI USTERKI NALEŻY WYŁĄCZYĆ ELEKTRONARZĘDZIE I WYJĄĆ Z NIEGO AKUMULATOR.**

Objawy	Możliwa przyczyna	Możliwe rozwiązanie
Nie można obsługiwać piły prętowej	Bateria wyczerpana	Wymienić akumulator
Pręt zobaczył pracę przerywaną	Przegrzanie	Umieść urządzenie w chłodnym, wietrznym miejscu, aby ją ostudzić.
	Użyto zbyt dużo nacisku podczas cięcia.	Stosować mniejszy nacisk podczas cięcia.
	Przerwa w zasilaniu	Zwrócić się do autoryzowanego punktu serwisowego
	Wewnętrzny styk chwiejny	
	Uszkodzony spust wł./wył.	

Łańcuch piły jest suchy.	Brak oleju w zbiorniku	Napełnić olej
	Zatkany odpowietrznik w korku wlewu oleju	Wyczyścić korek
	Kanał wypływu oleju zapchany	Zwolnić kanał wypływu oleju.
Łańcuch/szyna prowadnicy gorąca.	Brak oleju w zbiorniku	Napełnić olej
	Zatkany odpowietrznik w korku wlewu oleju	Wyczyścić korek
	Kanał wypływu oleju zapchany	Zwolnić kanał wypływu oleju
	Naprężenie łańcucha za mocne	Nastawić naprężenie łańcucha.
	Łańcuch tępy	Łańcuch naostrzyć lub wymienić
Ekstremalne rozdarcie, wibracje, piła jest nieprawidłowa	Naprężenie łańcucha za małe	Nastawić naprężenie łańcucha.
	Łańcuch tępy	Łańcuch naostrzyć lub wymienić
	Łańcuch zużyty	Łańcuch wymienić
	Zęby piły wskazują w nieprawidłowym kierunku	Łańcuch piły zamontować na nowo z zębami w prawidłowym kierunku

## DANE TECHNICZNE

	<b>KAC361</b>
Długość prowadnicy	25 cm
Prędkość łańcucha	Wysoka: 17 m/s Niska: 13 m/s
Pojemność zbiornika oleju	160 ml
Podziałka łańcucha	3/8" LP
Miara łańcucha	1.1 mm
Stopień ochrony	IPX4
Waga urządzenia	1.8 kg

## KOMBINACJE OSPRZĘTU TNĄCEGO

### Przystawka tnąca

KAC333-10"/25cm 0.043"/1.1mm 3/8 LP Prowadnica

KAC302-10"/25cm 0.043"/1.1mm 3/8 LP Łańcuch

KAC335-12"/30cm 0.043"/1.1mm 3/8 LP Prowadnica

KAC304-12"/30cm 0.043"/1.1mm 3/8 LP Łańcuch

# INFORMACJE Z WAŁEM PRZEDŁUŻAJĄCYM (KAC360) DANE DOTYCZĄCE HAŁASU I WIBRACJI

Ważone ciśnienie akustyczne  $L_{pA} = 79 \text{ dB(A)}$   
 $K_{pA} = 3.0 \text{ dB(A)}$

Ważona moc akustyczna  $L_{WA} = 94,1 \text{ dB(A)}$   
 $K_{WA} = 1,1 \text{ dB(A)}$

Używać ochrony słuchu.



## INFORMACJE DOTYCZĄCE DRGAŃ

Łączna wartość drgań (suma wektora triax) określona według normy EN ISO 11680-1.

Wartość przenoszenia	$a_n = 1,3 \text{ m/s}^2$
	Niepewność $K = 1,5 \text{ m/s}^2$

## INFORMACJE BEZ WAŁU PRZEDŁUŻAJĄCEGO. DANE DOTYCZĄCE HAŁASU I WIBRACJI

Ważone ciśnienie akustyczne  $L_{pA} = 82 \text{ dB(A)}$   
 $K_{pA} = 3.0 \text{ dB(A)}$

Ważona moc akustyczna  $L_{WA} = 93 \text{ dB(A)}$   
 $K_{WA} = 1,5 \text{ dB(A)}$

Używać ochrony słuchu.



## INFORMACJE DOTYCZĄCE DRGAŃ

Łączna wartość drgań (suma wektora triax) określona według normy EN ISO 11680-1.

Wartość przenoszenia	$a_n = 1,87 \text{ m/s}^2$
	Niepewność $K = 1,5 \text{ m/s}^2$

Zadeklarowana całkowita wartość wibracji może być wykorzystana do porównania jednego narzędzia z innym oraz może być użyta we wstępnej ocenie narażenia

**! OSTRZEŻENIE:** Wartość emisji wibracji w czasie rzeczywistego używania elektronarzędzia może się różnić od zadeklarowanej, w zależności od sposobu używania narzędzia w następujących przykładach i innych sposobach używania narzędzia:

Jak używane jest narzędzie oraz, czy materiał jest cięty czy wiercony.

Czy narzędzie jest w dobrym stanie i czy jest prawidłowo konserwowane.

Czy używane są prawidłowe akcesoria narzędzia i czy narzędzie jest właściwie naostrzone oraz w dobrym stanie. Czy dokręcone są szczęki na uchwycie i czy używane są jakiegokolwiek akcesoria antybiracyjne.

Oraz, czy narzędzie jest używane zgodnie z przeznaczeniem i według instrukcji.

Nieprawidłowe prowadzenie tego narzędzia może spowodować syndrom wibracji rąk.

**! OSTRZEŻENIE:** W szczególności, oszacowanie poziomu ekspozycji w rzeczywistych warunkach używania powinno brać także pod uwagę wszystkie elementy cyklu działania, takie jak czasy wyłączenia narzędzia i czas beczynności, ale nie rzeczywście wykonywaną pracę. Może to znacznie zmniejszyć poziom ekspozycji w całym okresie pracy.


Pomoc w minimalizacji narażenia na wibracje.

Należy ZAWSZE używać ostrych dłut, wiertel i ostrzy.

Narzędzie należy konserwować z godnie z instrukcjami i prawidłowo smarować (w odpowiednich miejscach). Jeśli narzędzie jest używane regularnie należy zakupić akcesoria antywibracyjne.

Należy zaplanować harmonogram pracy w celu rozłożenia używania narzędzi wytwarzających wysoki poziom drgań na kilka dni.

## OCHRONA ŚRODOWISKA

 Odpady wyrobów elektrycznych nie powinny być wyrzucane razem z odpadami gospodarstwa domowego. Należy korzystać z recyklingu, jeśli istnieje odpowiednia infrastruktura. Porady dotyczące recyklingu można uzyskać u władz lokalnych lub sprzedawcy detalicznego.



# DEKLARACJA ZGODNOŚCI

MY,  
Positec Germany GmbH  
Postfach 680194, 50704 Cologne, Germany

W imieniu firmy Positec zaświadczam, że produkt  
**Opis:** Pilarka na wysięgniku zasilana akumulatorowo  
**Typ:** KAC361 (361 - oznaczenie maszyn,  
odpowiednie dla pilarki na wysięgniku)  
**Funkcja:** Cięcie wysoko położonych gałęzi

jest zgodny z następującymi dyrektywami,  
**2006/42/EC, 2014/30/EU, 2011/65/EU &  
(EU)2015/863, 2000/14/EC zmieniona przez  
2005/88/EC**

Dane jednostki notyfikowanej  
Nazwa: Intertek Deutschland GmbH (jednostka  
notyfikowana 0905)  
Adres: Stangenstraße 1, 70771 LEINFELDEN-  
ECHTERDINGEN  
Nr certyfikatu: 24SHW0160

## Informacje z wałem przedłużającym (KAC360)

2000/14/EC zmieniona przez 2005/88/EC:

- Procedura oceny zgodności zgodna z  
Anekssem V Dyrektywy
- Moc dźwięku 94 dB(A)
- Deklarowana gwarantowana moc dźwięku 96 dB(A)

## Informacje bez wału przedłużającego

2000/14/EC zmieniona przez 2005/88/EC:

- Procedura oceny zgodności zgodna z  
Anekssem V Dyrektywy
- Moc dźwięku 93 dB(A)
- Deklarowana gwarantowana moc dźwięku 95 dB(A)

Normy są zgodne z:

**EN 62841-1, EN ISO 11680-1, EN ISO 3744, EN IEC  
55014-1, EN IEC 55014-2, EN IEC 63000**

Osoba upoważniona do kompilacji pliku technicznego,

**Nazwa Marcel Filz**  
**Adres Positec Germany GmbH**  
**Postfach 680194, 50704 Cologne, Germany**



2024/01/26

Allen Ding

Zastępca głównego inżyniera, testowanie i

Certyfikacja

Positec Technology (China) Co., Ltd.

18, Dongwang Road, Suzhou Industrial

Park, Jiangsu 215123, P. R. China

# OBSAH

Úvod.....	170
Seznam komponentů.....	171
Bezpečnost výrobku.....	172
Sestavení a Používání.....	175
Mazání řetězu.....	177
Použití.....	178
Přeprava.....	180
Údržba pily.....	180
Čištění.....	182
Skladování.....	182
<hr/> cz Odstraňování problémů.....	183
Technické údaje.....	184
Prohlášení o shodě.....	185

## ÚVOD

Vážený zákazníku,

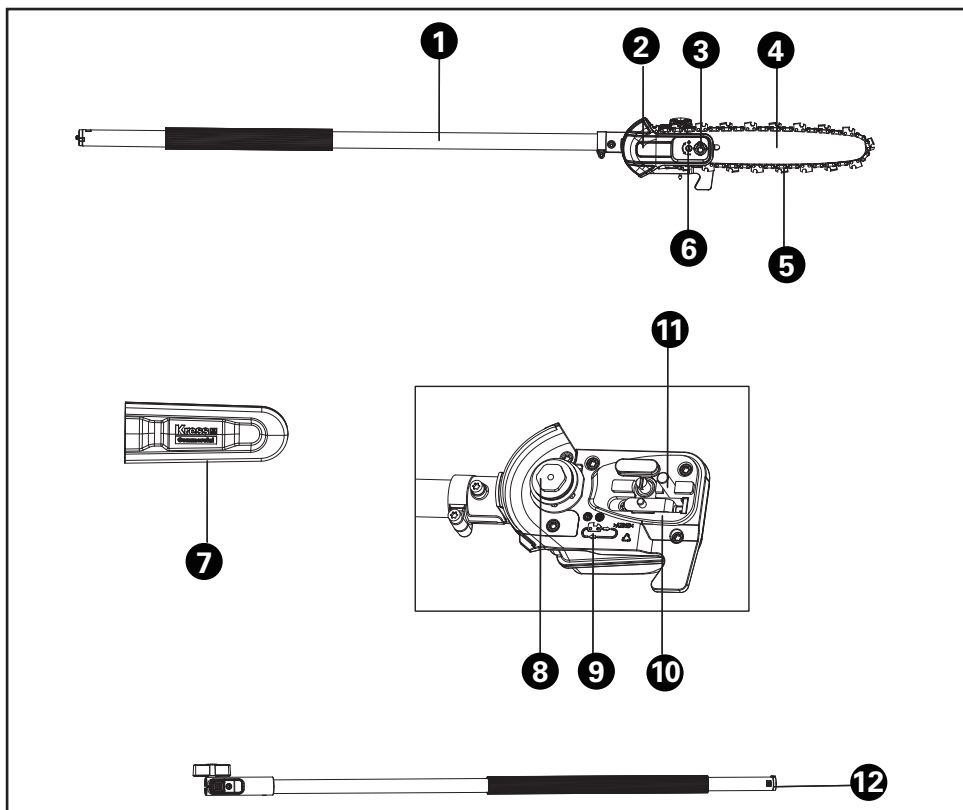
děkujeme, že jste si zakoupili tento produkt od společnosti Kress Commercial. Zaměřujeme se na vývoj vysoce kvalitních produktů, které splní vaše požadavky při krajinářských pracích.

Značka Kress je synonymem služeb prémiové kvality. Pokud budete mít kdykoli během doby životnosti vašeho produktu jakékoli otázky nebo obavy ohledně vašeho produktu, obraťte se na vašeho prodejce nebo přímo na náš tým Zákaznických služeb.

Věříme, že budete mít radost z používání vašeho produktu od společnosti Kress po mnoho nadcházejících let.

## ÚČEL POUŽITÍ

Ve spojení s KAC104 - hlava sekačky, Tato teleskopické pila je navržena pro prořezávání a úpravu větví, které jsou mimo dosah paží. Všechny řezy by měly být kolmé k dřevu. Tento výrobek je určen pouze pro řezání dřeva.



## SEZNAM KOMPONENTŮ

- |     |                       |
|-----|-----------------------|
| 1.  | HŘÍDEL                |
| 2.  | KRYT POHONU           |
| 3.  | ŠESTIHRANNÁ MATICE    |
| 4.  | VODICÍ LIŠTA          |
| 5.  | ŘETĚZ                 |
| 6.  | NAPÍNACÍ ŠROUB ŘETĚZU |
| 7.  | OCHRANNÝ OBAL         |
| 8.  | HNACÍ KOLO            |
| 9.  | SYMBOL SMĚRU ŘETĚZU   |
| 10. | PODLOŽKA NA LIŠTU     |
| 11. | HŘEBENOVÁ ŠPICE       |
| 12. | PRODLUŽOVACÍ HŘÍDEL * |

\* Ne všechno zobrazené nebo popisované příslušenství je součástí standardní dodávky.

# PŮVODNÍ NÁVOD K POUŽÍVÁNÍ BEZPEČNOST VÝROBKU OBECNÁ BEZPEČNOSTNÍ UPOZORNĚNÍ PRO ELEKTRICKÉ NÁSTROJE



**VAROVÁNÍ** Přečtěte si všechna bezpečnostní varování, pokyny, seznamte se s ilustracemi a technickými údaji dodanými s tímto elektrickým nářadím. *Nedodržení jakýchkoliv níže uvedených pokynů může mít za následek úraz elektrickým proudem, vznik požáru nebo vážného úrazu.*

**Uložte instrukce a veškerou dokumentaci pro budoucí použití.**

Výraz "elektrické ruční nářadí" znamená v upozornění buď na nářadí na elektrický pohon (napájené elektrickou sítí) nebo na akumulátorové nářadí (napájené z akumulátoru).

## 1) Bezpečnost na pracovišti

a) **Udržujte pracoviště v čistotě a dobře osvětlené.** Pracoviště plné nepotřebných předmětů nebo slabě osvětlené zvyšuje možnost úrazu.

b) **D Nepoužívejte elektrické ruční nářadí v prostředí náchylném na exploze jako například v přítomnosti hořlavých tekutin, plynů nebo prachu.** Elektrické ruční nářadí při práci vytváří jiskry, které mohou vznítit prach nebo výpary.

c) **Při práci s elektrickým ručním nářadím udržujte děti a přihlízející osoby v dostatečné vzdálenosti.** Ztráta pozornosti může vést ke ztrátě kontroly nad nářadím.

## 2) Bezpečnost při práci s elektřinou

a) **Vidlice elektrického ručního nářadí musí být shodného typu jako zásuvky el. sítě. Neměňte vidlici nedovoleným nebo neodborným způsobem, předejdete tak možným zraněním nebo úrazu el proudem.** Nepoužívejte spolu s uzemněným ručním nářadím žádné adaptéry, které neumožňují ochranu zemněním.

b) **Vyhýbejte se kontaktu s uzemněnými povrchy jako například trubkami, radiátory, sporáky a ledničkami.** Je-li vaše tělo spojené s uzemněným předmětem nebo stojí na uzemněné ploše, vzniká zvýšené riziko úrazu elektrickým proudem.

c) **Stroj nepoužívejte v dešti nebo moku. Mohlo by to zvýšit nebezpečí zasažení elektrickým proudem.** Pokud zmokne během použití v dešti, stroj a baterie by měly být vysušeny před skladováním nebo nabíjením. Vyjměte baterie a znovu je vložte, pokud se nezdaří přístroj zapnout. Kontakty baterie udržujte bez špíny a nečistot a čistěte je měkkým a suchým kartáčem nebo hadříkem.

d) **Nemanipulujte s napájecím kabelem necitlivě. Nikdy si nepřitahujte elektrické ruční nářadí k sobě pomocí kabelu, netahejte je za sebou pomocí kabelu a nevytrhávejte kabel ze zástrčky, abyste ruční nářadí vypnuli.** Nevystavujte kabel vysokým teplotám, oleji, ostrým hranám nebo kontaktu s pohyblivými díly. Poškozené nebo zamotané kabely mohou vést k zvýšenému riziku úrazu elektrickým proudem.

e) **Při práci s ručním nářadím v exteriéru použijte prodlužovací kabel vhodný pro použití v exteriéru.** Použijte kabel vhodný pro venkovní prostředí, snižujete tím riziko vzniku úrazu elektrickým proudem.

f) **Pokud je práce s ručním nářadím ve vlhkých podmínkách nevyhnutelná, použijte napájení chráněné jističem typu proudový chránič (RCD).** Použití RCD jističe redukuje riziko vzniku úrazu elektrickým proudem.

## 3) Osobní bezpečnost

a) **Buďte soustředění, sledujte co děláte a při práci s ručním nářadím se řiďte zdravým rozumem. Nepoužívejte ruční nářadí, jste-li unaveni nebo pod vlivem omamných látek, alkoholu nebo léků.** Moment nepozornosti při práci s ručním nářadím může vést k vážnému osobnímu zranění.

b) **Použijte osobní ochranné pomůcky. Vždy noste ochranu očí.** Ochranné pomůcky jako například proti prachová maska, boty s protiskluzovou podrážkou nebo chrániče sluchu použité v příslušných podmínkách pomáhají redukovat nebezpečí vážného osobního zranění.

c) **Předcházejte neúmyslnému zapnutí. Ujistěte se, že vypínač je ve vypnuté poloze předtím, než zapojíte nářadí do elektrické sítě a nebo k akumulátoru, rovněž při zvedání nebo nošení nářadí.** Nošení nářadí s přem na vypínači nebo nářadí pod napětím zvyšuje možnost úrazu.

d) **Odstraňte jakékoliv nastavovací nebo maticové klíče a šrouby předtím, než zapnete ruční nářadí.** Nastavovací nebo jiný klíč ponechaný na rotující části ručního nářadí může způsobit osobní úraz.

e) **Nepřeceňujte se. Udržujte si stabilitu a pevnou zem pod nohama za každých podmínek.** Umožňuje vám to lepší kontrolu nad ručním nářadím v neočekávaných situacích.

f) **Pro práci se vhodně oblečte. Nenoste volné oblečení nebo šperky.** Svě vlasy a volné oblečení držte z dosahu pohyblivých částí. Volné oblečení, šperky nebo dlouhé vlasy se mohou do pohyblivých částí zachytit.

g) **Pokud jsou zařízení nastavená na spojení se zařízeními na zachytávání a extrakci prachu, ujistěte se, že jsou tato zařízení správně připojena a použita.** Použitím sběrače prachu redukuje rizika vyvolaná prachem.

h) **Nedopust'te, abyste díky zkušenostem nabytým častým používáním elektrického**

**nářadí přestali dodržovat základy bezpečného použití.** Neopatrný úkon může způsobit vážný úraz během zlomku sekundy.

- 4) **Použití a údržba ručního nářadí**
  - a) **Na ruční nářadí netlačte. Použijte správné ruční nářadí pro danou činnost.** Správné ruční nářadí udělá práci lépe a takovou rychlostí, pro kterou bylo navrženo.
  - b) **Nepoužívejte ruční nářadí, pokud správně nefunguje vypínač on/off.** Jakékoliv ruční nářadí, které se nedá ovládat vypínačem, je nebezpečné a musí být opraveno.
  - c) **Před jakýmkoliv seřízením, výměnou násad nebo uskladněním elektrického nářadí vyjměte síťovou zástrčku ze zásuvky nebo, pokud je to možné, z něj vyjměte akumulátor.** Taková preventivní bezpečnostní opatření redukcují riziko náhodného zapnutí ručního nářadí.
  - d) **Nepoužíváte-li ruční nářadí, skladujte je mimo dosah dětí a nedovolte osobám, které nemají zkušenosti s prací s ručním nářadím nebo neznají tyto pokyny, s nářadím pracovat.** Ruční nářadí je nebezpečné v rukách neškolené a nezkušené osoby.
  - e) **Provádějte pravidelnou údržbu elektrického nářadí a příslušenství. Zkontrolujte chybné připojení nebo spojení pohyblivých částí, zlomené části nebo jiné okolnosti, které by mohly ovlivnit funkčnost ručního nářadí. Je-li nářadí poškozeno, nechte je před novým použitím opravit.** Mnoho úrazů vzniká proto, že je elektrické ruční nářadí špatně udržováno.
  - f) **Udržujte řezné nástroje ostré a čisté.** Správně udržované řezné nástroje s ostrými řezacími hranami jsou méně náchylné na zakousnutí a lépe se ovládají.
  - g) **Používejte elektrické nářadí v souladu s těmito pokyny, berte v úvahu pracovní podmínky a druh vykonávané práce.** Je-li elektrické nářadí použito na jiné účely, než je určeno, může docházet k nebezpečným situacím.
  - h) **Rukojeti a povrchy držadel udržujte suché, čisté, bez maziv a tuků.** Kluzké rukojeti a držadla neumožňují bezpečnou manipulaci a obsluhu nářadí v neočekávaných situacích.
- 5) **Použití a údržba elektrického nářadí napájeného baterií**
  - a) **Provádějte nabíjení pouze v nabíječce, která je specifikovaná výrobcem.** Nabíječka, která je vhodná pro jeden typ baterie, může při použití jiného typu baterie vytvářet riziko způsobení požáru.
  - b) **Při použití nářadí napájeného baterií používejte pouze baterii, která je určena speciálně pro toto nářadí.** Použití jakékoli jiné baterie může vytvářet riziko způsobení zranění a požáru.
  - c) **Není-li baterie používána, udržujte ji v bezpečné vzdálenosti od sponek na papíry, mincí, klíčů, hřebíků, šroubů nebo jiných**

**malých kovových předmětů, které mohou způsobit propojení kontaktů baterie.**

Zkratování kontaktů baterie může způsobit popáleniny nebo požár.

- d) **V náročných podmínkách může docházet k unikům kapaliny z baterie. Vyvarujte se kontaktu s touto kapalinou. Dojde-li k náhodnému kontaktu, opláchněte zasažené místo vodou. Zasažne-li tato kapalina oči, okamžitě vyhledejte lékařské ošetření.** Kapalina unikající z baterie může způsobit podráždění nebo popáleniny.
- e) **Akumulátor nebo nářadí, které je poškozeno nebo je upravené, nepoužívejte.** Poškozené nebo upravené akumulátory mohou mít nepředvídatelné chování s následkem požáru, exploze nebo s nebezpečím úrazu.
- f) **Akumulátor nebo nářadí nevhazujte do ohně nebo je nevystavujte nadměrným teplotám.** Při vhození do ohně nebo vystavení teplotě nad 130 ° C může dojít k explozi.
- g) **Dodržujte veškeré pokyny pro nabíjení a akumulátor nebo nářadí nenabíjejte mimo teplotní rozsah specifikovaný v tomto návodu.** Nesprávné nabíjení, nebo nabíjení při teplotách mimo specifikovaný rozsah může poškodit akumulátor a zvýšit riziko vzniku požáru.
- 6) **Servis**
  - a) **Servisní práce na nářadí nechte provést kvalifikovanými pracovníky za použití originálních náhradních dílů.** Výsledkem bude trvalá bezpečnost při práci s elektrickým nářadím.
  - b) **Poškozené akumulátory nikdy neopravujte.** Servis akumulátorů by měl být prováděn pouze výrobcem nebo autorizovaným servisním zástupcem.

## ROD VIDĚL BEZPEČNOSTNÍ VAROVÁNÍ













1. Udržujte pilovou pilu v dostatečné vzdálenosti od venkovního elektrického vedení
2. Věnujte prosím pozornost nebezpečí provozní polohy a riziku padajících větví nebo rázů zasažených do země a obsluha může být zasažena padajícími větvemi nebo nárazovými větvemi po nárazu na zem.  
Odstraňte větve v každé sekci.
2. Ke snížení možného nebezpečí zajistěte, aby byly během práce okolní osoby v bezpečné vzdálenosti od místa práce.
4. Během práce udržujte pevný postoj a rovnováhu. Používejte dodané popruhy.
5. Při obsluze používejte OOP, včetně sluchu ochrana, ochrana očí (hledí nebo brýle) a ochranu hlavy a oděv.

# BEZPEČNOSTNÍ VAROVÁNÍ TÝKAJÍCÍ SE BATERIÍ

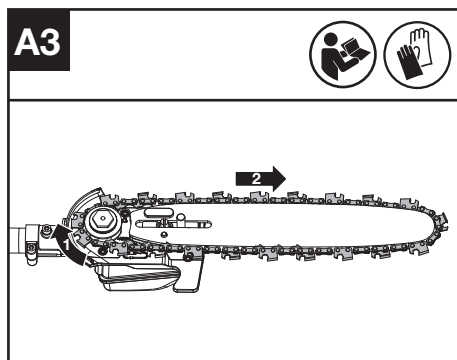
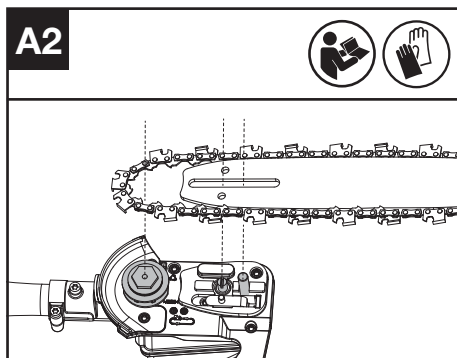
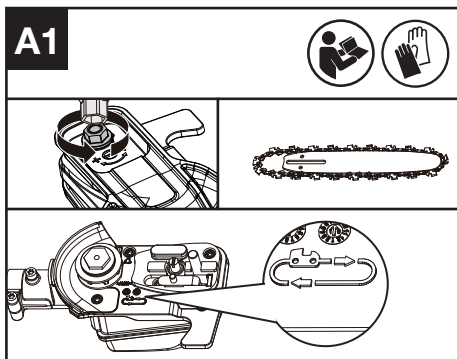
- a) Nepokoušejte se demontovat, rozebírat nebo rozřezávat baterie nebo její články.
- b) Neprovádějte zkratování baterie. Neukládejte baterie nahodile v krabicích nebo v zásuvkách, kde by mohlo dojít k jejich vzájemnému zkratování nebo k zkratování způsobenému jinými předměty. Není-li baterie používána, udržujte ji v bezpečné vzdálenosti od sponek na papíry, mincí, klíčů, hřebíků, šroubů nebo jiných malých kovových předmětů, které mohou způsobit propojení kontaktů baterie. Zkratování kontaktů baterie může způsobit popáleniny nebo požár.
- c) Nevystavujte baterii působení horka nebo ohně. Vyvarujte se skladování baterií na otevřeném slunci.
- d) Nevystavujte baterii mechanickým rázům.
- e) Dojde-li k úniku kapaliny z baterie, zabraňte tomu, aby se tato kapalina dostala do kontaktu s pokožkou nebo aby zasáhla oči. Dojde-li k takovému kontaktu, zasažené místo omyjte značným množstvím vody a vyhledejte lékařské ošetření.
- f) Udržujte baterie čisté a suché.
- g) Jsou-li svorky baterie znečištěny, otřete je čistým a suchým hadříkem.
- h) Baterie musí být před použitím nabita. Vždy postupujte podle uvedených pokynů a používejte správný postup nabíjení.
- i) Nenechávejte baterii nabíjet, nebude-li baterie použita.
- j) Po dlouhodobém uložení budete možná muset provést několik cyklů nabíjení a vybíjení, aby baterie dosáhla svého maximálního výkonu.
- k) Provádějte nabíjení pouze v nabíječce, která je specifikovaná společností Kress. Nepoužívejte jinou nabíječku, než je nabíječka speciálně dodaná pro použití s tímto zařízením.
- l) Nepoužívejte žádnou baterii, která není určena pro použití s tímto zařízením.
- m) Ukládejte baterie mimo dosah dětí.
- n) Ušchovejte originální dokumentaci k tomuto výrobku pro budoucí odkazy.
- o) Není-li zařízení používáno, vyjměte z něj baterii.
- p) Provádějte řádnou likvidaci baterie.
- q) V zařízení nekombinujte bateriové články různého data výroby, kapacity, velikosti nebo typu.
- r) Baterii uchovávejte dál od mikrovlnných trub a vysokého tlaku.
- s) Varování! Nepoužívejte jednorázové baterie.

ULOŽTE TYTO POKYNY

## SYMBOLY

	V zájmu omezení nebezpečí zranění si musí uživatel přečíst návod k obsluze.
	Varování
	Používejte ochranu sluchu
	Používejte ochranu zraku
	Používejte masku proti prachu
	Používejte ochrannou přilbu
	Používejte ochranné rukavice
	Používejte ochrannou obuv
	Udržujte dostatečnou vzdálenost od elektrického vedení
	Akumulátor Li-Ion. Tento výrobek byl označen symbolem „tříděný odpad“ pro všechny jednotlivé a složené akumulátory. Proto musí být s ohledem dopadu na životní prostředí po dosloužení recyklován nebo demontován. Akumulátory obsahují nebezpečné látky, proto mohou být nebezpečné pro životní prostředí a lidské zdraví.
	Nevystavujte ohni
	Akumulátory se mohou při nesprávném způsobu likvidace dostat do systému koloběhu vody, což může ohrozit vlastní ekosystém. Dosloužilé akumulátory nelikvidujte jako netříděný komunální odpad.

	<p>Vysloužilé elektrické přístroje nevyhazujte společně s domovním odpadem. Nářadí recyklujte ve sběrnách k tomu účelu zřízených. O možnostech recyklace se informujte na místních úřadech nebo u prodejce.</p>
	<p>Ekologicky šetrná likvidace starých elektrických spotřebičů nesmí probíhat společně s obvyklým odpadem, ale musejí být zlikvidovány samostatně. Likvidace v obecních sběrných dvorech je pro soukromé osoby bezplatná. Majitel starých spotřebičů je zodpovědný za dopravení spotřebičů do těchto sběrných dvorů nebo do podobných sběrných dvorů. Takovýmto nepatrným úsilím přispíváte k recyklaci cenných surovin a úpravu toxických látek.</p>
	Odemkněte
	Zámek



## SESTAVENÍ A POUŽÍVÁNÍ

**POZNÁMKA:** Předtím než začnete nářadí používat, přečtěte si pečlivě manuál.

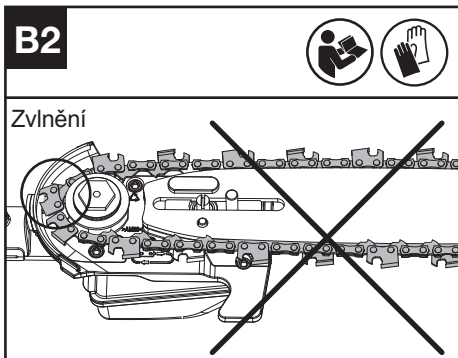
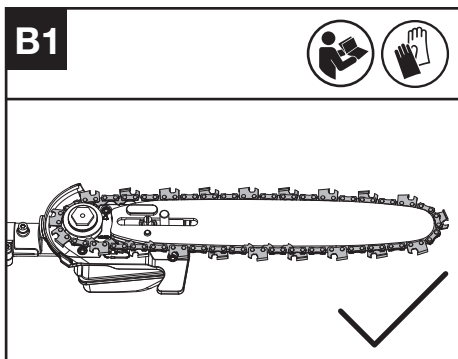
### SESTAVENÍ

**Výstraha!** Neinstalujte akumulátor před kompletním sestavením.

Při manipulaci s pilovým řetězem noste vždy ochranné rukavice.

#### MONTÁŽ ŘETĚZU A VODICÍ LIŠTY

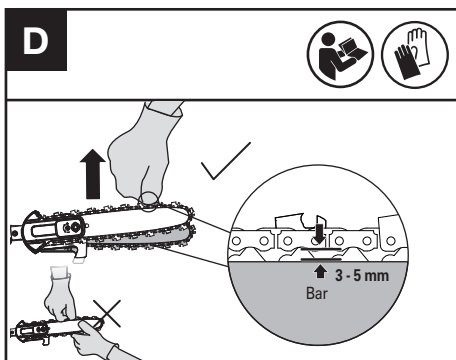
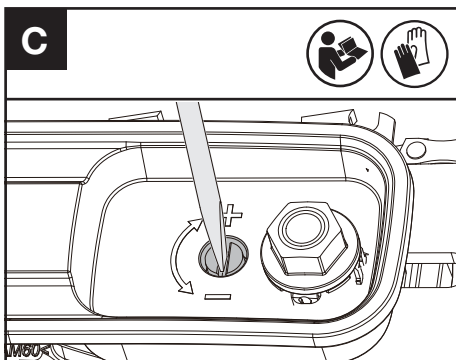
1. Uvolněte šestihrannou matku pro odstranění krytu pohonu. Vsunte řetěz do drážky kolem vodicí lišty. Ujistěte se, že řetěz běží ve správném směru. (Viz obr. A1)
2. Nasadte řetěz na hnací kolo tak, aby hřebenová špiče na podložce lišty zapadla do drážky otvoru na vodicí liště. (Viz obr. A2, A3)
3. Ujistěte se, že všechny díly jsou správně posazeny. Zkontrolujte, zda jsou spoje řetězu plně vsazeny do hnacího kola (Viz obr. B1), vyhněte se vytváření záhybu, jak je ukázáno na obr. B2. Pokud dojde k záhybu, vezměte řetěz na vodicí liště před tímto místem a záhyb vytáhněte.  
**POZNÁMKA:** Řetěz by měl volně rotovat, ale vyžaduje určitou úroveň síly k otáčení.
4. Nasadte kryt pohonu a utáhněte šestihrannou maticí.



3. Zkontrolujte napětí nastavené napínacím šroubem řetězu. Správného napnutí řetězu je dosaženo, když lze řetěz zvednout přibližně do poloviny hloubky spoje od středu vodicí lišty. To proveďte tak, že rukou chráněnou rukavicí zvednete řetěz proti váze stroje. (Viz obr. D) Poté pevně utáhnete šestihrannou matku.

**POZNÁMKA:** Řetěz je správně napnutý, když ho lze zvednout z vodicí lišty a spoj drží v kolejnici vodicí lišty.

**POZNÁMKA:** Řetěz se uvolní během řezání a ztratí správné napnutí. Když se řetěz uvolní, povolte šestihrannou matku, znovu utáhněte šroub napínání řetězu a pak znovu utáhněte šestihrannou matku, abyste správně znovu nastavili napětí řetězu podle kroků 1 až 3 uvedených výše.



**VAROVÁNÍ:** Pilový řetěz ještě není napnut. Napínání pilového řetězu se provádí jak je popsáno v odstavci „Napnutí pilového řetězu“. Nyní je nutné provést kontrolu řetězu, zda je správně napnut.

### NAPÍNÁNÍ ŘETĚZU PILY (VIZ OBR. C, D)

**POZNÁMKA:** Nová řetězová pila se při první použití usadí na liště. Při prvním použití se často kontroluje napnutí řetězu, při uvolnění jej utahujte kolem vodicí lišty.

- Před seřízením napnutí řetězu pily vždy odpojte akumulátorový blok.
- Ostré hrany řetězu. Při manipulaci s řetězem používejte ochranné rukavice.
- Vždy udržujte správné napnutí řetězu. Uvolněný řetěz může vyskočit z drážky vodicí lišty. Může dojít ke zranění obsluhy a způsobit opotřebení řetězu, lišty a hnacího kola

1. Umístěte tyčovou pilu na libovolný vhodný rovný povrch a povolte šestihrannou matku.
2. Otáčejte šroub na napnutí řetězu ve směru hodinových ručiček, dokud nebude napnutý. (Viz obr. C)

**POZNÁMKA:** Napětí se automaticky zvyšuje otáčením šroubu na napnutí řetězu ve směru hodinových ručiček. Pak pevně utáhněte šestihrannou matku.

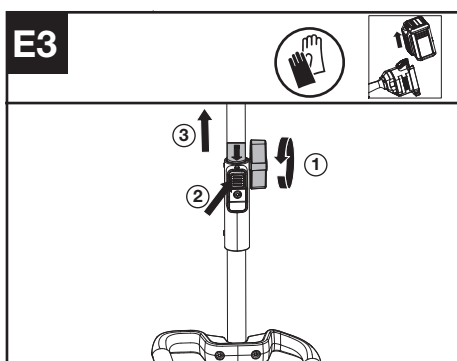
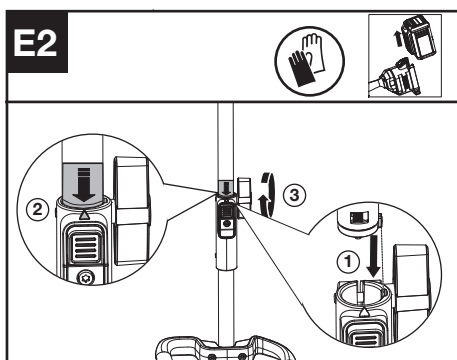
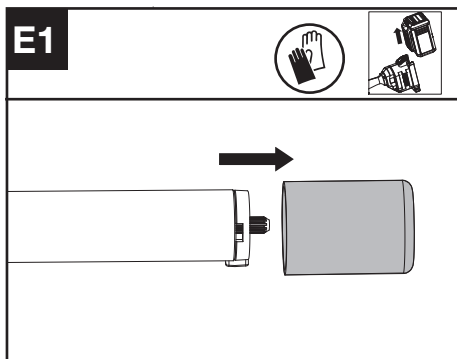
### Sestavení a demontáž hlavy pily (Viz obr. E1, E2, E3)

1. Odstraňte ochranný kryt z hřídele nástavce.
2. Zarovnejte obrázek trojúhelníku na tlačítku se štítkem se šipkou na hřídeli nástavce.
3. Zatlačte hřídele do sebe, dokud neuslyšíte "kliknutí". Okraj štítku se šipkou by měl být v blízkosti připojovacího pouzdra na hřídeli. (Poznámka: Pokud nelze hlavu tyčové pily zcela namontovat do hlavy sekačky, otáčejte hlavou sekačky, dokud nebude možné hřídel zcela



zasunout.)

4. Dokončíte montáž utažením křídlového šroubu ve směru hodinových ručiček.
5. Pro demontáž uvolněte křídlový šroub otočením proti směru hodinových ručiček, poté stiskněte uvolňovací tlačítko a rozpojte hřídele. Nasadte ochranný kryt na hřídel nástavce, abyste zabránili vniknutí prachu a nečistot do hřídele.



Informace o montáži a demontáži prodlužovacího hřídele, odkazujte prosím na obrázky E1, E2 a E3.

## MAZÁNÍ ŘETĚZU (VIZ OBR. F)

**!** **DŮLEŽITÉ:** Tyčová pPila není naplněna olejem pro mazání lišty a řetězu. Před použitím je nezbytné ji naplnit olejem. Nikdy nepoužívejte tyčovou pilu bez oleje pro maání lišty a řetězu nebo nedovolte, abyste nádrž vyprázdnila, neboť by to mohlo způsobit rozsáhlé poškození výrobku.  
**POZNÁMKA:** Životnost řetězu a výkon řezání závisí na optimálním mazání. Proto je řetěz během provozu automaticky mazán.

### PLNĚNÍ OLEJOVÉ NÁDRŽE:

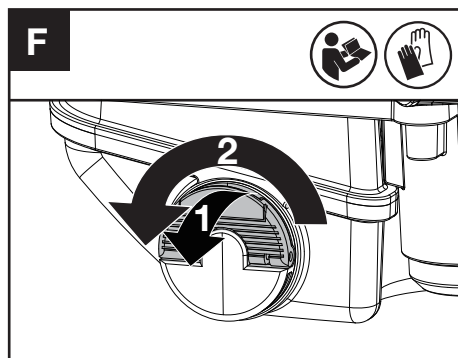
**!** **VAROVÁNÍ:** Před plněním olejové nádrže odstraňte akumulátorový blok.

1. Umístíte tyčovou pilu na vhodný povrch s víčkem olejové nádrže nahoře.
2. Čistým hadříkem očistíte okolí víčka olejové nádrže a odšroubujete ji otočením proti směru hodinových ručiček.
3. Přidejte olej pro lištu a řetěz, dokud není nádrž téměř plná.
4. Zabraňte vniknutí nečistot nebo prachu do olejové nádrže, znovu nasadte víčko olejové nádrže a utáhněte jej otočením ve směru hodinových ručiček, dokud nebude utažené.

**!** Je důležité používat mazivo určené pro lištu a řetěz (ne olej pro automobily), které má takové složení, aby fungovalo v širokém teplotním rozsahu bez nutnosti ředění.

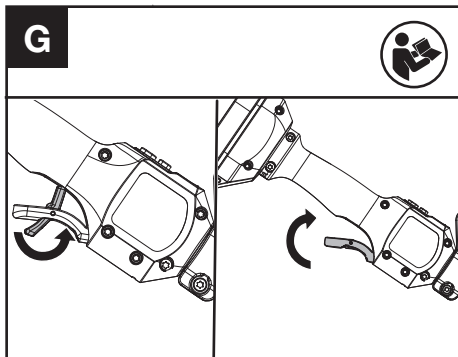
Toto mazivo můžete zakoupit tam, kde jste tuto pilu zakoupili nebo ve svém místním obchodě se železářstvím. Nepoužívejte znečištěné, použité nebo jinak kontaminované oleje, neboť může dojít k poškození lišty nebo řetězu. Používání neschváleného oleje na lištu a řetěz vede ke ztrátě záruky.

Olej na lištu uchovávejte mimo dosah dětí. Při požití okamžitě kontaktujte lékaře. Uchovávejte mimo dosah tepla nebo otevřeného plamene.



# POUŽITÍ

## SPUŠTĚNÍ TYČOVÉ PILY



1. Tlačte nejprve páčku odjištění bezpečnostní odjišťovací páka dopředu, poté stisknete a podržte spoušť plynu, abyste spustili stroj.

**POZNÁMKA:** Další podrobnosti naleznete v manuálu pro pohonovou hlavu.

## ŘEZÁNÍ

**! DŮLEŽITÉ:** Pravidelně kontrolujte olejovou nádrž. Pokaždé, když vyměníte bateriovou sadu, zkontrolujte napnutí nedávno vyměněného řetězu.

- (1) Instalace akumulátorového bloku do stroje.
- (2) Při provozu nedovolte, aby řetěz přicházel do kontaktu se zemí, neboť by došlo k otupení řetězu.
- (3) Používejte obě ruce k uchopení pily.
- (4) Ujistěte se, že stojíte pevně. Rozložte váhu rovnoměrně na obě nohy, držte je od sebe v šířce ramen.
- (5) Při přípravě na řezání postupujte podle výše uvedených postupů pro spuštění a volbu rychlosti. Tím pilu uvedete do chodu. Uvolněním spouštěte pilu vypnete. Před zahájením řezu se ujistěte, že pila běží plnou rychlostí.
- (6) Při zahájení řezu pomalu přiložte pohybující se řetěz ke dřevu. Dřevo by mělo být co nejbližší rezné hlavě. Držte pilu pevně na místě, abyste zabránili možnému odskočení nebo sklouznutí (pohybu do stran) pily.
- (7) Vedte pilu s lehkým tlakem a nepoužívejte nadměrnou sílu, nechte pilu pracovat. Motor by se mohl přetížít a shořet. Bude plnit úkol lépe a bezpečněji při rychlosti, pro kterou byla navržena.
- (8) Vyjměte pilu z řezu při běhu pily na plnou rychlost. Zastavte pilu. Před odložením pily se ujistěte, že se řetěz zastavil.
- (9) Procvičte se na odřezání dřeva na bezpečném pracovním místě, dokud se nebudete bezpečně, používejte plynulý pohyb a stabilní rychlost řezu.

## BEZPEČNOSTNÍ ZAŘÍZENÍ ZABRAŇUJÍCÍ ZPĚTNÉMU RÁZU TĚTO PILY

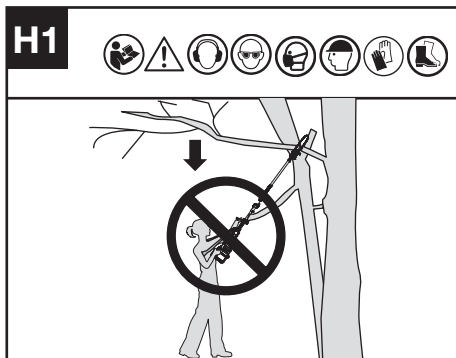
Tato pila je vybavena řetězem s nízkým zpětným rázem a také vodící lištou s redukcí zpětného rázu. Obě tyto součásti redukuje možný zpětný ráz. Avšak zpětný ráz u této pily nastat může.

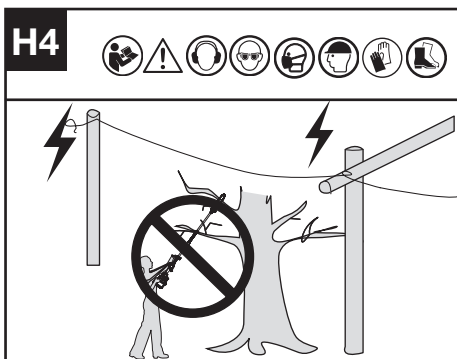
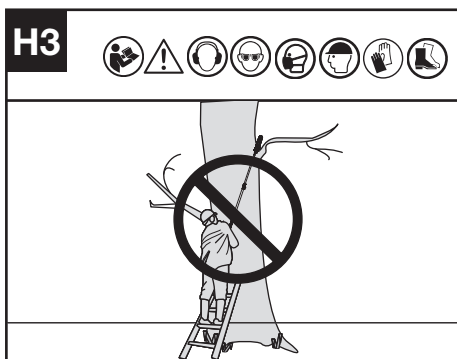
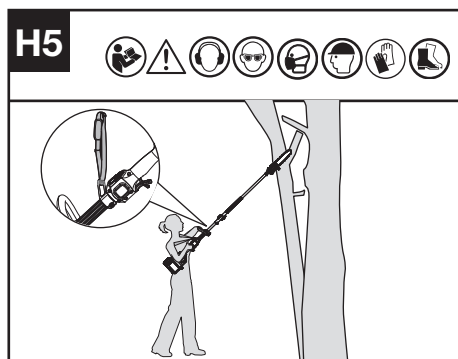
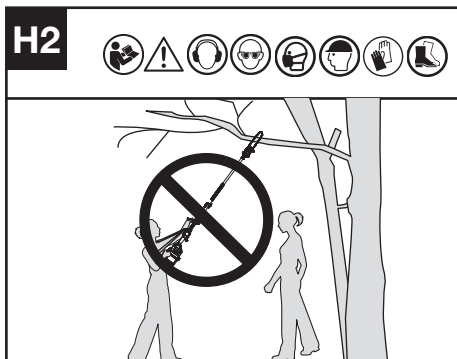
Následující kroky sníží riziko zpětného rázu.

- Používejte obě ruce k držení pily, když je pila v chodu. Držte ji pevně.
- Ujistěte se, že všechny bezpečnostní prvky na pile jsou na svém místě a správně fungují.
- Udržujte pevnou oporu a rovnováhu po celou dobu.
- Stůjte mírně na levé straně pily. Tímto způsobem zabráníte tomu, aby bylo vaše tělo přímo v linii s řetězem.
- Nedovolte, aby špička vodící pilové lišty přicházela do kontaktu s čímkoli, když je řetěz v pohybu.
- Nedoporučuje se zařezávat špičku vodící pilové lišty do dřeva nebo provádět hluboké řezy (vrtání otvorů do dřeva pomocí špičky vodící pilové lišty).
- Dávejte pozor na posun dřeva nebo jiné síly, které by mohly řetěz zaklínit.
- Buďte opatrní při opětovném vstupu do předchozího řezu.
- Používejte pouze řetěz a vodící pilovou lištu s nízkým zpětným rázem, které byly dodány s touto tyčovou pilou nebo jsou doporučené.
- Nikdy nepoužívejte tupý nebo uvolněný řetěz. Udržujte řetěz ostrý s vhodným napětím.

## ŘEZÁNÍ VYSOKÝCH VĚTVÍ

1. Instalujte akumulátorový blok do stroje.
2. Před řezáním vysokých větví věnujte zvláštní pozornost předpokládané dráze padající větve. **VAROVÁNÍ:** nestůjte přímo pod řezanou větví. Udržujte dostatečnou vzdálenost od přihlízejících. Při používání zařízení nestůjte na žebříku nebo jiném typu nestabilní podpěry. Nepoužívejte zařízení v blízkosti kabelů, elektrického vedení nebo telefonních linek. Udržujte odstup 10 stop (3 metry) od všech elektrických vedení. (Viz obr. H1-H4)





## OŘEZÁVÁNÍ STROMŮ (PROŘEZÁVÁNÍ)

**VAROVÁNÍ:** Vyhnete se zpětnému rázu. Zpětný ráz může způsobit vážné zranění nebo smrt. Jak lze zabránit riziku zpětného rázu naleznete v kapitole Zpětný ráz.

**VAROVÁNÍ:** Nepoužívejte tyčovou pilu, když

- na stromě,
- na žebříku nebo na jiném nestabilním povrchu,
- v jakémkoliv nepohodlné poloze

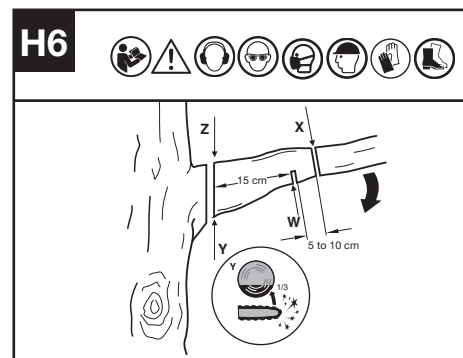
můžete ztratit kontrolu nad tyčovou pilou, což může způsobit vážné zranění.

**UPOZORNĚNÍ:** Pokud okolní podmínky přesahují vaše schopnosti, vyhledejte odbornou pomoc.

Prořezávání stromů je proces odřezávání větví z živého stromu. Ujistěte se, zda máte pevný postoj. Chodila mějte rozkročeny na šířku ramen. Rozdělte svou váhu rovnoměrně na obě nohy.

Při prořezání stromů postupujte podle níže uvedených pokynů.

1. Udělejte první řez o několik centimetrů (c) od kmene stromu na spodní straně větve. Použijte horní část vodicí pilové lišty k provedení tohoto řezu. Prořízněte 1/3 průměru větve (Viz obr. H6).



2. Posuňte se o několik centimetrů (30 % z c) dále na větví směrem nahoru. Provedte druhý řez shora dolů. Pokračujte v řezání, dokud neodříznete větev.
3. Provedte třetí řez co nejbližší kmeni stromu, plně

3. K držení tyčové pily a zastřihávání větví používejte obě ruce.

ořízněte zbytek větve. Použijte spodní část vodící lišty k provedení tohoto řezu.

## Pro akumulátorová nářadí

Doporučený rozsah okolní teploty pro vybíjení je -20 °C~45°C.

Doporučený rozsah okolní teploty pro nabíjecí systém v průběhu nabíjení je -5 °C~45 °C.

## PŘEPRAVA

### Přeprava tyčové pily

1. Vypněte tyčovou pilu a vyjměte akumulátor.
2. Při přepravě tyčové pily v ruce držte tyč tak, aby byl stroj rovnoběžný s povrchem země a lišta směřovala vzad.
3. Při přepravě tyčové pily ve vozidle ji zajistěte a umístěte tak, aby nedocházelo k pohybu nebo poškození.

## ÚDRŽBA PILY

Dodržujte návod k údržbě uvedený v tomto manuálu. Správné čištění a údržba pily, řetězu a vodící pilové lišty mohou snížit opotřebení. Po každém použití pilu zkontrolujte a proveďte její údržbu. Tím prodloužíte životnost vaší pily. Pokud se pila během provozu namočí v dešti, zařízení a baterie by měly být před uskladněním nebo nabíjením vysušeny.

## ÚDRŽBA A SKLADOVÁNÍ TYČOVÉ PILY

1. **Vyjměte akumulátor**
  - Když není používána
  - Před přesunem z místa na místo
  - Před servisem
  - Před výměnou příslušenství nebo nástavců, jako je pilový řetěz a lišta
2. **Zkontrolujte tyčovou pilu před a po každém použití.** Pečlivě zkontrolujte pilu, zda nebyl poškozen ochranný kryt nebo jiná část. Zkontrolujte případné poškození, které by mohlo ovlivnit bezpečnost obsluhy nebo provoz pily. Zkontrolujte řádné seřízení nebo zda nedošlo k zablokování pohyblivých částí. Zkontrolujte, zda nedošlo k poškození nebo prasknutí částí zařízení. Nepoužívejte tyčovou pilu, pokud je poškození ovlivňuje bezpečnost nebo provoz. Opravte poškození v autorizovaném servisním středisku.
3. **Udržujte tyčovou pilu pečlivě.**
  - Pro lepší a bezpečnější výkon udržujte řetěz ostrý, čistý a promazaný.
  - Při naostření řetězu postupujte podle kroků uvedených v tomto manuálu.
  - Udržujte rukojeti suché, čisté a bez oleje a mastnoty.
  - Udržujte všechny šrouby a matice pevně utažené.

4. **Při údržbě používejte pouze identické náhradní díly.**

5. **Když není používána, vždy tyčovou pilu uskladněte**

- na vysokém nebo uzamčeném místě, mimo dosah dětí,
- na suchém místě,
- s nasazeným ochranným pouzdem.

## ÚDRŽBA VODICÍ LIŠTY

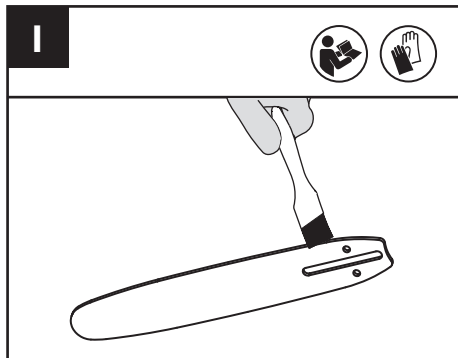
Pro zajištění maximální životnosti vodící lišty je doporučena následující údržba.

Nosné kolejničky vodící lišty, které nesou řetěz, by měly být před uložením pily vyčištěny, nebo pokud jsou řetěz či vodící lišta zaneseny nečistotami. Kolejničky by měly být vyčištěny po každém sejmutí řetězu.

Občasné odstranění otřepení hran vodící lišty může být nutné provést plochým pilníkem.

## ČIŠTĚNÍ NOSNÝCH KOLEJNIC VODICÍ LIŠTY

1. Sejměte kryt řetězu a lištu s řetězem. (viz část MONTÁŽ)
2. Z kolejniček vodící lišty odstraňte nečistoty pomocí drátěného kartáče, šroubováku či podobného vhodného nářadí. (Viz Obr. I)
3. Ujistěte se, zda jste pečlivě očistili mazací místa.



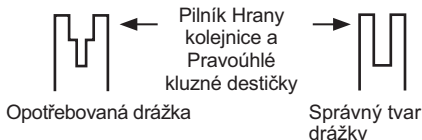
## SITUACE, KTERÉ VYŽADUJÍ ÚDRŽBU ŘETĚZU A VODICÍ LIŠTY:

- Pila řeže do jedné strany nebo pod úhlem.
- Při řezání je nutné pilu tlačit
- Nedostatečný přívod oleje k liště a řetězu.

Zkontrolujte stav vodící lišty po každém naostření řetězu. Opotřebovaná lišta způsobí poškození řetězu a řezání tak bude obtížné.

Po každém použití pilu odpojte od napájecího zdroje, z vodící lišty a z otvoru řetězového kola odstraňte veškeré nánosy pilin.

Pokud není horní strana vodící lišty rovná, srovnejte strany a pravé úhly pomocí plochého pilníku.



Vyměňte vodící lištu, pokud je drážka opotřebovaná, vodící lišta je ohnutá nebo prasklá, nebo pokud se vyskytne nadměrné zahřívání nebo třepení kolejniček. Pokud je nutná výměna, použijte pouze vodící lištu určenou pro váš nůžky podle seznamu náhradních dílů nebo nálepku umístěnou na nůžkách.

## VÝMĚNA/OTOČENÍ PILOVÉHO ŘETĚZU A LIŠTY

Proveďte výměnu řetězu pily, jsou-li zuby řetězu příliš opotřebovány nebo dojde-li k prasknutí řetězu. Používejte pouze řemen, který je uveden v tomto návodu.

Před broušením řetězu zkontrolujte vodící lištu. Opatřebovaná nebo poškozená vodící lišta způsobí poškození řetězu pily a řezání bude mnohem náročnější.

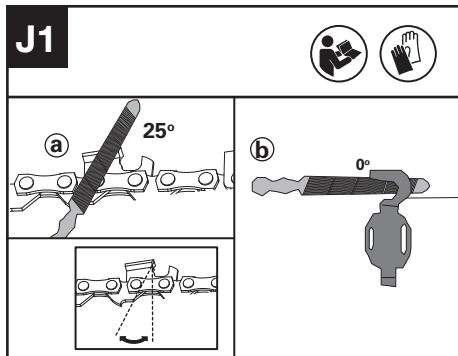
## OSTŘENÍ PILOVÉHO ŘETĚZU

**VAROVÁNÍ:** Před prováděním servisu vyjměte z pily baterii. Při kontaktu vašeho těla s pohybujícím se řetězem nebo při úrazu elektrickým proudem může dojít k vážnému, dokonce i smrtelnému zranění.

Řezací čepele řetězu jsou ostré. Při manipulaci s řetězem používejte ochranné rukavice.

Dbejte na to, aby byl řetěz pily stále ostrý. Vaše pila bude řezat rychleji a bezpečněji. Tupý řetěz pily bude způsobovat zbytečně velké opotřebování hnacího řetězového kola, vodící lišty, řetězu pily a motoru. Musíte-li řetěz pily tlačit do dřeva silou a vzniká-li při řezání pouze prach s několika velkými třískami, řetěz pily je tupý.

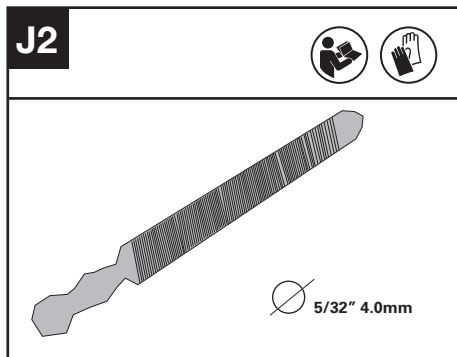
Před naostřením pamatujte dbejte následujících kroků: ( Viz obr. J1 )



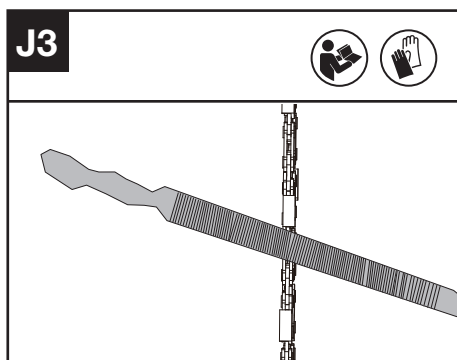
a: Úhel broušení; b: poloha pilníku.

## Jak nabrousit nůž

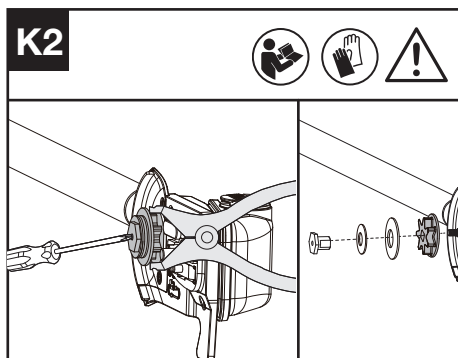
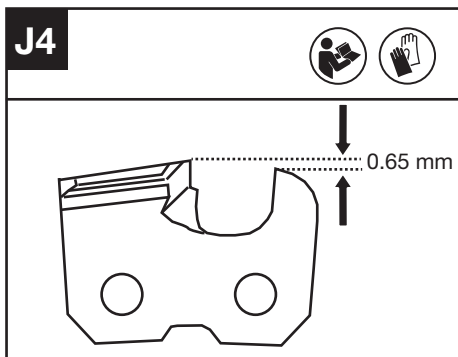
1. Připravte si kulatý pilník na naostření řezného nástroje. (Viz obr. J2). Poznámka: Před naostřováním řetězu pevně upevněte naváděcí lištu ve svěráku. Zajistěte aby řetěz nebyl „skřípnutý“ a mohl se po naváděcí liště volně pohybovat. Zkontrolujte, zda je řetěz správně napnutý. (Viz sekce „Napínání řetězu“)



2. Naostřete řezáky pilníkem z vnitřní strany řezacích zubů k vnější straně řetězu. (Viz obr. J3)



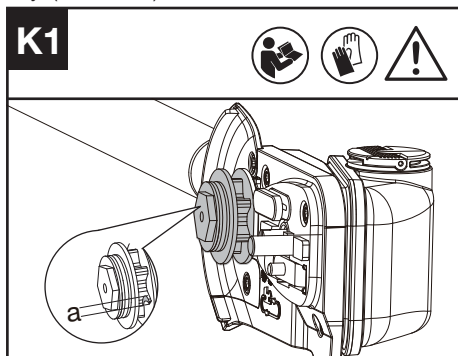
3. Opilujte všechny řezáky na straně naváděcí lišty.
4. Otočte pilu a opilujte všechny řezáky na obrácené straně.
5. Zajistěte, aby délka všech řezných zubů byla stejná. Abyste zajistili efektivní, bezpečné a hladké řezání, opilujte hloubkoměr na 0,65 mm. Ujistěte se, že hlavní hrana hloubkoměru je zakulacená. (Viz obr. J4)



## KONTROLA A ÚDRŽBA ŘETĚZOVÉHO KOLA

**!** UPOZORNĚNÍ: PŘED KONTROLOU JE NEZBYTNÉ VYPNOUT TYČOVOU PILU A VYJMOUT BATERII.

1. Sejměte kryt řetězového kola, pilového řetězu a vodící lišty.
2. Zkontrolujte, zda jsou stopy opotřebení hlubší než  $a = 0,5$  mm, jak je znázorněno na obrázku K1; pokud ano, je třeba řetězové kolo vyměnit. (Viz obr. K1)
3. Při výměně řetězového kola ovládejte kolo kleštěmi a šroubovákem povolte matku a vyměřte ji. (Viz obr. K2)



## ČIŠTĚNÍ

1. Vypněte tyčovou pilu a vyjměte baterii.
2. Nepoužívejte agresivní čisticí prostředky ani rozpouštědla. Po použití stroj očistěte navlhčeným hadříkem, namočeným v neutrálním čisticím přípravku.
3. Připojovací bod baterie udržujte bez nečistot a cizích látek a čistěte jej měkkým a suchým kartáčem nebo hadříkem.
4. Na motor a elektrické součásti nestříkejte vodu.
5. Na čištění přístroje nepoužívejte vysokotlaký čistič.

## SKLADOVÁNÍ

1. Před uskladněním vyjměte akumulátor z tyčové pily.
2. Uchovávejte tyčovou pilu a akumulátor na suchém a bezpečném místě, které není přístupné dětem a neoprávněným osobám.
3. Pokud zmokne během použití v dešti, stroj a baterie by měly být vysušeny před skladováním nebo nabíjením. Vyjměte baterie a znovu je vložte, pokud se nezdaří přístroj zapnout.

# ODSTRAŃOWÁNÍ PROBLÉMŮ

W przypadku ewentualnych problemów z funkcjonowaniem elektronarzędzia, w poniższej tabelce znaleźć można różne rodzaje błędów, możliwe ich przyczyny oraz właściwy sposób ich usuwania. Jeżeli za jej pomocą nie uda się zidentyfikować i usunąć usterki, pomocy należy szukać w punkcie serwisowym.



**UWAGA: PRZED PRZYSTĄPIENIEM DO LOKALIZACJI USTERKI NALEŻY WYŁĄCZYĆ ELEKTRONARZĘDZIE I WYJĄĆ Z NIEGO AKUMULATOR.**

Objawy	Możliwa przyczyna	Możliwe rozwiązanie
Nie można obsługiwać piły prętowej	Bateria wyczerpana	Wymenić akumulator
Pręt zobaczył pracę przerywaną	Przegrzanie	Umieść urządzenie w chłodnym, wietrznym miejscu, aby ją ostudzić.
	Użyto zbyt dużo nacisku podczas cięcia.	Stosować mniejszy nacisk podczas cięcia.
	Przerwa w zasilaniu	Zwrócić się do autoryzowanego punktu serwisowego
	Wewnętrzny styk chwiejny	
	Uszkodzony spust wł./wyl.	
Łańcuch piły jest suchy.	Brak oleju w zbiorniku	Napełnić olej
	Zatkany odpowietrznik w korku wlewu oleju	Wyczyść korek
	Kanał wypływu oleju zapchany	Zwolnić kanał wypływu oleju.
Łańcuch/szyna prowadnicy gorąca.	Brak oleju w zbiorniku	Napełnić olej
	Zatkany odpowietrznik w korku wlewu oleju	Wyczyść korek
	Kanał wypływu oleju zapchany	Zwolnić kanał wypływu oleju
	Naprężenie łańcucha za mocne	Nastawić naprężenie łańcucha.
	Łańcuch tępy	Łańcuch naostrzyć lub wymienić
Ekstremalne rozdarcie, wibracje, piła jest nieprawidłowa	Naprężenie łańcucha za małe	Nastawić naprężenie łańcucha.
	Łańcuch tępy	Łańcuch naostrzyć lub wymienić
	Łańcuch zużyty	Łańcuch wymienić
	Zęby piły wskazują w nieprawidłowym kierunku	Łańcuch piły zamontować na nowo z zębami w prawidłowym kierunku

CZ

## TECHNICKÉ ÚDAJE

	KAC361
Długość prowadnicy	25 cm
Prędkość łańcucha	Wysoka: 17 m/s Niska: 13 m/s
Pojemność zbiornika oleju	160 ml
Podziałka łańcucha	3/8" LP
Miara łańcucha	1.1 mm
Stopień ochrony	IPX4
Waga urządzenia	1.8 kg

## KOMBINACJE OSPRZĘTU TNĄCEGO

### Przystawka tnąca

KAC333-10"/25cm 0.043"/1.1mm 3/8 LP Prowadnica

KAC302-10"/25cm 0.043"/1.1mm 3/8 LP Łańcuch

KAC335-12"/30cm 0.043"/1.1mm 3/8 LP Prowadnica

KAC304-12"/30cm 0.043"/1.1mm 3/8 LP Łańcuch

## INFORMACE S PRODLUŽOVACÍ HŘÍDELÍ (KAC360) ÚDAJE O HLUKU

Naměřená hladina  
akustického tlaku  $L_{pA} = 79$  dB(A)  
 $K_{pA} = 3,0$  dB(A)

Naměřený akustický  
výkon  $L_{wA} = 94,1$  dB(A)  
 $K_{wA} = 1,1$  dB(A)

Používejte ochranu  
sluchu.



## INFORMACE O VIBRACÍCH

Celkové hodnoty vibrací (trojosé nebo vektorové  
součtové měření) stanovené v souladu s EN ISO  
11680-1.

Vibration emission value	$a_h = 1,3$ m/s <sup>2</sup>
	uncertainty K=1,5 m/s <sup>2</sup>

## INFORMACE BEZ PRODLUŽOVACÍ HŘÍDELE ÚDAJE O HLUKU

Naměřená hladina  
akustického tlaku  $L_{pA} = 82$  dB(A)  
 $K_{pA} = 3,0$  dB(A)

Naměřený akustický  
výkon  $L_{wA} = 93$  dB(A)  
 $K_{wA} = 1,5$  dB(A)

Používejte ochranu  
sluchu.



## INFORMACE O VIBRACÍCH

Celkové hodnoty vibrací (trojosé nebo vektorové  
součtové měření) stanovené v souladu s EN ISO  
11680-1.

Vibration emission value	$a_h = 1,87$ m/s <sup>2</sup>
	uncertainty K=1,5 m/s <sup>2</sup>

Deklarovaná celková hodnota vibrací může být použita pro  
vzájemné srovnání jednotlivých nářadí a rovněž může být  
použita k předběžnému stanovení doby práce..

**!** **VÝSTRAHA:** Hodnota vibračních emisí během  
praktického používání tohoto elektrického nástroje se  
může lišit od deklarované hodnoty podle způsobu, jakým je  
nástroj používán v závislosti na následujících podmínkách a  
dalších možnostech použití nástroje:

Způsob, jakým je nástroj používán a povaha narušovaných  
nebo vrtných materiálů.

Dobry stav nástroje a řádné provádění jeho údržby.

Používání správného příslušenství k nástroji, ostrost a dobrý  
stav příslušenství.

Utažení úchopu na rukojetích a použití antivibračního  
příslušenství.

Používání nástroje k účelům určeným konstrukcí a v souladu s  
těmito pokyny.

**Při neřízeném používání může tento nástroj způsobit  
syndrom vibrací rukou a paží.**


**!** **Výstraha:** Je třeba upřesnit, že v odhadu úrovně  
nebezpečí při praktickém používání je nutno rovněž  
zohlednit všechny fáze pracovního cyklu, například  
dobu, kdy je nástroj vypnutý a kdy běží naprázdno, ale  
nevykonává práci. To může podstatně snížit úroveň  
nebezpečí v rámci celkového pracovního času.  
Zásady pro omezení nebezpečí vystavení vibracím:  
VŽDY používejte ostré tmy, vrtáky a čepele.  
Provádějte údržbu tohoto nástroje v souladu s těmito  
pokyny, udržujte nástroj dobře promazaný (odpovídajícím  
způsobem).

Má-li být tento nástroj používán pravidelně, zakupte  
antivibrační příslušenství.

Naplánujte práci tak, aby bylo provádění úkolů, které  
vyžadují silné vibrace nástroje, rozloženo do několika dní.



# OCHRANA ŽIVOTNÍHO PROSTŘEDÍ

 Vysloužilé elektrické přístroje nevyhazujte společně s domovním odpadem. Nářadí recyklujte ve sběrnách k tomu účelu zřízených. O možnostech recyklace se informujte na místních úřadech nebo u prodejce.

Allen Ding  
Zástupce vrchní konstrukční kanceláře,  
Testování & Certifikace  
Positec Technology (China) Co., Ltd.  
18, Dongwang Road, Suzhou Industrial  
Park, Jiangsu 215123, P. R. China

## PROHLÁŠENÍ O SHODĚ

MY,  
Positec Germany GmbH  
Postfach 680194, 50704 Cologne, Germany

Jménem společnosti Positec prohlašujeme, že výrobek

**Popis:** Pila na tyči se poháněná baterií

**Typ:** KAC361 (361 - označení stroje, zástupce tyčové pily)

**Funkce:** Řezání vysokých větví

splňuje požadavky následujících směrnic,  
**2006/42/EC, 2014/30/EU, 2011/65/EU & (EU)2015/863, 2000/14/EC v novelizaci 2005/88/EC**

Pověřený úřední orgán

Název: Intertek Deutschland GmbH (úřední vyhláška 0905)

Adresa: Stangenstraße 1, 70771 LEINFELDEN-ECHTERDINGEN

Číslo certifikátu: 24SHW0160

### Informace s prodlužovací hřídelí (KAC360)

2000/14/EC v novelizaci 2005/88/EC:

- Postup posuzování shody podle Dodatek V
- Měřený akustický výkon 94 dB(A)
- Deklarovaný zaručený akustický výkon 96 dB(A)

### Informace bez prodlužovací hřídele

2000/14/EC v novelizaci 2005/88/EC:

- Postup posuzování shody podle Dodatek V
- Měřený akustický výkon 93 dB(A)
- Deklarovaný zaručený akustický výkon 95 dB(A)

Použité normy,

**EN 62841-1, EN ISO 11680-1, EN ISO 3744, EN IEC 55014-1, EN IEC 55014-2, EN IEC 63000**

Osoba odpovídající za vytvoření technické dokumentace,

**Jméno Marcel Filz**

**Adresa Positec Germany GmbH**

**Postfach 680194, 50704 Cologne, Germany**



2024/01/26

CZ

# OBSAH

Úvod.....	186
Zoznam súčastí.....	187
Bezpečnosť výrobku.....	188
Montáž a Obsluha.....	191
MastenieReťaze.....	193
Přeprava.....	196
Údržba Píly .....	196
Čistenie.....	198
Skladovanie.....	198
Odstraňovanie problémov.....	198
Technické Parametre.....	199
SK Prehlasenie o zhode.....	201

## ÚVOD

Vážení zákazníci,

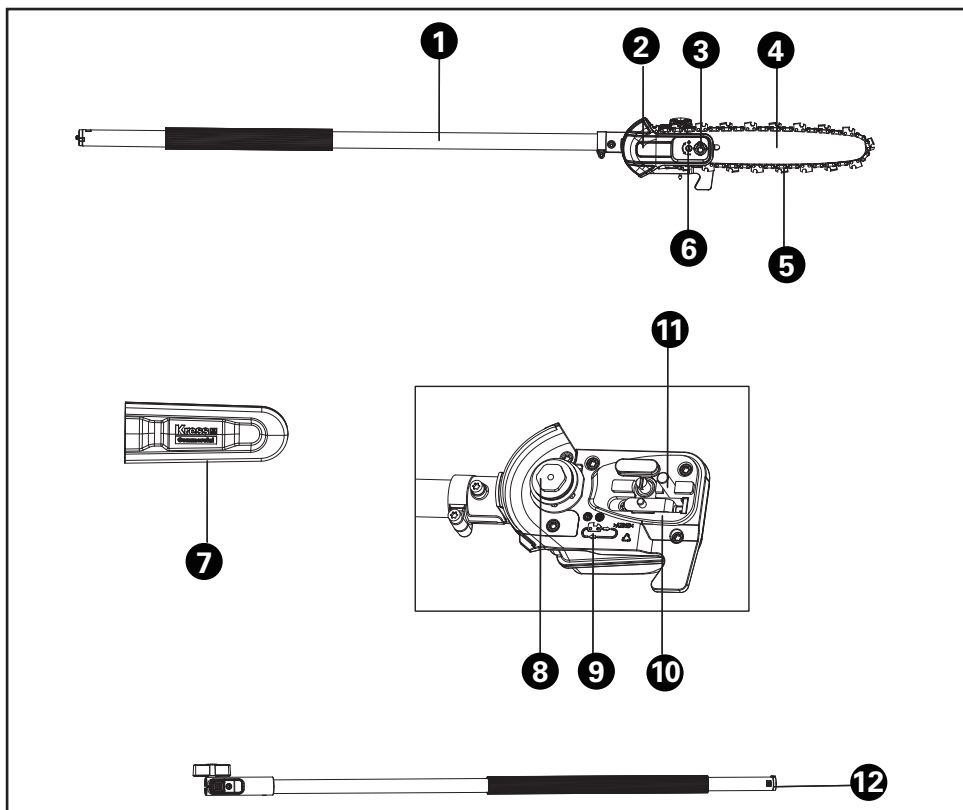
ďakujeme Vám, že ste si kúpili tento výrobok Kress Commercial. Venujeme sa vývoju vysoko kvalitných výrobkov, ktoré vyhovujú vašim komerčným požiadavkám na terénne úpravy.

Značka Kress je synonymom pre prvotriedne služby. Ak budete mať v priebehu celej životnosti vášho výrobku akékoľvek otázky alebo obavy týkajúce sa vášho výrobku, kontaktujte svojho predajcu alebo náš tím zákazníckych služieb so žiadosťou o pomoc.

Sme si istí, že sa vám v nasledujúcich rokoch bude práca s výrobkom Kress páčiť.

## ÚČEL POUŽITIA

Spolu s pohonnou jednotkou KAC104, táto tyčová píla je určená na prerezávanie a orezávanie konárov mimo dosahu rúk. Všetky rezy by mali byť naprieč vláknami dreva. Tento výrobok je určený len na rezanie dreva.



## ZOZNAM SÚČASTÍ

- |     |                          |
|-----|--------------------------|
| 1.  | HRIADEL                  |
| 2.  | KRYT POHONU              |
| 3.  | ŠEŠŤHRANNÁ MATICA        |
| 4.  | VODIACA LIŠTA            |
| 5.  | REŤAZ                    |
| 6.  | NAPÍNACIA SKRUTKA REŤAZE |
| 7.  | OCHRANNÉ PUZDRO          |
| 8.  | HNACIE REŤAZOVÉ KOLESO   |
| 9.  | SYMBOL SMERU REŤAZE      |
| 10. | PODLOŽKA LIŠTY           |
| 11. | TYČOVÝ POLOHOVACÍ KOLÍK  |
| 12. | PREDLŽOVACÍ HRIADEL *    |

\* Nie všetko zobrazené alebo popisované príslušenstvo je súčasťou štandardnej dodávky.

# PŔOVODNÝ NÁVOD NA POUŽITIE BEZPEČNŔ VÝROBKU VŠEOBECNÉ BEZPEČNŔSTNÉ UPOZORNENIA



**VAROVANIE** Prečítajte si všetky bezpečnostné varovania, pokyny, zoznámte sa s ilustráciami a technickými údajmi dodanými s týmto elektrickým náradím.

*Nedodržanie akýchkoľvek nižšie uvedených pokynov môže mať za následok úraz elektrickým prúdom, vznik požiaru alebo vážneho úrazu.*

**Odložte si všetky varovania a inštrukcie pre budúcu potrebu.**

*Výraz „elektrické ručné náradie“ vás vo varovaniach odkazuje buď na náradie na elektrický pohon (napájané z elektrickej siete) alebo na akumulátorové náradie (napájané z akumulátora).*

## 1) Bezpečnosť na pracovisku

- a) **Udržujte pracovisko čisté a dobre osvetlené.** Pracovisko plné nepotrebných predmetov alebo slabo osvetlené zvyšuje možnosť úrazu.
- b) **Nepoužívajte elektrické ručné náradie v prostredí náchylnom na explóziu, ako napríklad v prítomnosti horľavých tekutín, plynov alebo prachu.** Elektrické ručné náradie vytvára iskry, ktoré môžu vznietiť prach alebo výpary.
- c) **Udržujte deti a prizerajúcich sa v dostatočnej vzdialenosti pri práci s elektrickým ručným náradím.** Strata pozornosti môže viesť k strate kontroly nad náradím.

## 2) Bezpečnosť pri práci s elektrinou

- a) **Prípojky elektrického ručného náradia musia byť vhodné so zástrčkami.** Nemoifikujte prípojku žiadnym spôsobom. Nepoužívajte spolu s uzemneným ručným náradím žiadne adaptérové prípojky, ktoré neumožňujú ochranu uzemnením. Pôvodné prípojky a k nim prislúchajúce zástrčky znižujú riziko úrazu elektrickým prúdom.
- b) **Vyhýbajte sa kontaktu s uzemnenými povrchmi, ako napríklad rúrkami, radiátormi, sporákmi a chladničkami.** Keď je vaše telo spojené s uzemneným predmetom alebo stojí na uzemnenom území, je zvýšené riziko elektrického šoku.
- c) **Zariadenie nepoužívajte v daždi alebo v mokrých podmienkach. Môže to zvýšiť riziko zásahu elektrickým prúdom.** V prípade zvlhnutia počas prevádzky sa musí zariadenie a batéria vysušiť pred uskladnením alebo nabíjaním. Ak sa zariadenie nepodarí zapnúť, vyberte batériu a znovu ju vložte. Prípojky batérie udržiavajte čisté a na ich čistenie používajte mäkkú a suchú kefkou alebo handričku.
- d) **Nezaobchádzajte s káblom prípojky**

necitlivo. Nikdy si nepríťahuje elektrické ručné náradie k sebe pomocou kábla, neťahajte ho za sebou pomocou kábla a nevytrhávajte kábel zo zástrčky aby ste ručné náradie vyplí. Nevystavujte kábel vysokým teplotám, oleju, ostrým hranám alebo pohyblivým častiam. Poškodené alebo zamotané káble môžu viesť k zvýšenému riziku elektrického šoku.

- e) **Pri práci s ručným náradím v exteriéri použite predlžovací kábel vhodný na použitie v exteriéri.** Použitím kábla vhodného na použitie v exteriéri redukuje riziko vzniku elektrického šoku.
  - f) **Pokiaľ je práca s ručným náradím vo vlhkých podmienkach nevyhnutná, použite napájanie chránené ističom typu prúdový chránič (RCD).** Použitie RCD ističa redukuje riziko vzniku elektrického šoku.
- ## 3) Osobná bezpečnosť
- a) **Buďte sústredení, sledujte, čo robíte, a pri práci s ručným náradím sa riaďte zdravým rozumom.** Nepoužívajte ručné náradie, keď ste unavení alebo pod vplyvom omamných látok, alkoholu alebo liekov. Moment nepozornosti pri práci s ručným náradím môže viesť k vážnemu osobnému zraneniu.
  - b) **Použite osobné ochranné pomôcky. Vždy noste ochranu očí.** Ochranné pomôcky, ako napríklad protiprachová maska, topánky s protišmykovou podrážkou alebo chrániče sluchu použité v príslušných podmienkach pomáhajú redukovať vážne osobné zranenia.
  - c) **Predídte neúmyselnému zapnutiu. Uistite sa, že prepínač je vo vypnutej pozícii, pred tým, než zapojíte náradie do elektriny a/alebo k akumulátoru, pri zdvihnutí alebo nosení náradia.** Nosenie náradia s prstom na prepínači alebo aktívneho náradia, ktoré je zapnuté, zvyšuje možnosť úrazu.
  - d) **Odstráňte akékoľvek nastavovacie kľúče alebo kľúče na matice a skrutky pred tým, než zapnete ručné náradie.** Nastavovací alebo iný kľúč ponechaný pripevnený na rotujúcej časti ručného náradia môže spôsobiť osobný úraz.
  - e) **Neprečunujte sa. Udržujte si stabilitu a pevnú zem pod nohami za každých podmienok.** Umožňuje vám to lepšiu kontrolu nad ručným náradím v neočakávaných situáciách.
  - f) **Oblečte sa náležite. Nenoste voľné oblečenie alebo šperky. Svoje vlasy a voľné oblečenie držte mimo dosahu pohyblivých častí.** Voľné oblečenie, šperky alebo dlhé vlasy sa môžu do pohyblivých častí zachytiť.
  - g) **Pokiaľ sú zariadenia nastavené na spojenie so zariadeniami na zachytávanie a extrakciu prachu, uistite sa, že sú náležite využitá a pripojené.** Použitím zberača prachu redukuje riziká spojené s prachom.
  - h) **Nedovoľte, aby ste vďaka skúsenostiam získaným častým používaním elektrického náradia prestali dodržiavať základy**

bezpečného použitia. Neopatrný úkon môže spôsobiť vážny úraz v priebehu zlomku sekundy.

- 4) **Použitie a údržba ručného náradia**
- a) **Nepreťažujte ručné náradie. Použite správne ručné náradie na danú činnosť.** Správne ručné náradie spraví prácu lepšie a v medziach, na ktoré bolo navrhnuté.
- b) **Nepoužívajte ručné náradie, pokiaľ sa prepínač neprepína medzi zapnutím a vypnutím.** Akékoľvek ručné náradie, ktoré nie je kontrolovateľné prepínačom, je nebezpečné a musí byť opravené.
- c) **Pred akýmkoľvek nastavením, výmenou násad alebo uskladnením elektrického náradia vytriahnite sieťovú zástrčku zo zásuvky alebo, ak to bude možné, vytriahnite akumulátor.** Takéto preventívne bezpečnostné opatrenia redujú riziko náhodného zapnutia ručného náradia.
- d) **Keď ručné náradie nepoužívate, skladujte ho mimo dosahu detí a nedovoľte osobám, ktoré nemajú skúsenosti s prácou s ručným náradím alebo neboli oboznámené s týmito inštrukciami, dotýkať sa náradia.** Ručné náradie je nebezpečné v rukách netrénovanej osoby.
- e) **Vykonávajte pravidelnú údržbu elektrického náradia a príslušenstva. Skontrolujte chybné pripojenia alebo spojenia pohyblivých častí, zlomené časti alebo iné okolnosti, ktoré by mohli ovplyvniť funkčnosť ručného náradia. Pri poškodení musí byť pred použitím najprv elektrické ručné náradie opravené.** Mnoho úrazov vzniká preto, že je elektrické ručné náradie zle udržiavané.
- f) **Udržujte rezacie nástroje ostré a čisté.** Náležite udržiavané rezacie nástroje s ostrými rezacími hranami sú menej náchylné na „zaseknutie“ a sú ľahšie ovládateľné.
- g) **Používajte elektrické náradie v súlade týmito pokynmi, berte pritom do úvahy pracovné podmienky a druh vykonávanej práce.** Ak sa elektrické náradie použije na iné účely, než na čo je určené, môže dochádzať k nebezpečným situáciám.
- h) **Rukoväte a povrchy držiadla udržiujte suché, čisté, bez mazív a tukov.** Šmyklavé rukoväte a držiadlá neumožňujú bezpečnú manipuláciu a obsluhu náradia v neočakávaných situáciách.
- 5) **Používanie a starostlivosť o batériové elektrické náradie**
- a) **Nabíjajte iba nabíjačkou určenou výrobcom.** Nabíjačka, ktorá je vhodná na jeden typ bloku batérií, môže pri použití s iným typom batérií spôsobiť požiar.
- b) **Elektrické náradie používajte iba s určeným typom bloku batérií.** Použitie akéhokoľvek iného typu batérií môže zvýšiť riziko zranenia a požiaru.
- c) **Ak sa blok batérií nepoužíva, neukladajte ho do blízkosti iných kovových predmetov, ako sú sponky na papier, mince, kľúče,**

**klince, skrutky alebo iné drobné kovové predmety, ktoré by mohli skratovať kontakty.**

Skratovanie kontaktov batérie môže viesť k popáleninám alebo vzniku požiaru.

- d) **Pri nesprávnom používaní môže z batérie vystreknúť kvapalina; vyhnýbajte sa styku s ňou. Ak dôjde k styku kvapaliny s pokožkou, opláchnite zasiahnuté miesto vodou. Ak sa kvapalina dostane do očí, ihneď vyhľadajte lekársku pomoc. Kvapalina, ktorá unikla z batérie, môže spôsobiť podráždenie a poleptanie.**
- e) **Akumulátor alebo náradie, ktoré je poškodené alebo upravené, nepoužívajte.** Poškodené alebo upravené akumulátory môžu mať nepredvídateľné chovanie s následkom požiaru, explózie alebo s nebezpečenstvom úrazu.
- f) **Akumulátor alebo náradie nevyhadzujte do ohňa alebo ho nevystavujte nadmerným teplotám.** Pri vhození do ohňa alebo vystavení teplote nad 130 ° C môže dôjsť k explózii.
- g) **Dodržiavajte všetky pokyny pre nabíjanie a akumulátor alebo náradie nenabíjajte mimo teplotný rozsah špecifikovaný v tomto návode.** Nesprávne nabíjanie alebo nabíjanie pri teplotách mimo špecifikovaný rozsah môže poškodiť akumulátor a zvýšiť riziko požiaru.
- 6) **Servis**
- a) **Servisné práce na náradí nechajte vykonať kvalifikovaných pracovníkov s použitím originálnych náhradných dielov.** Výsledkom bude trvalá bezpečnosť pri práci s elektrickým náradím.
- b) **Poškodené akumulátory nikdy neopravujte.** Servis akumulátorov by mal byť prevedený iba výrobcom alebo autorizovaným servisným zástupcom.

SK

## VÝSTRAŽNÉ UPOZORNENIE NA PÍLKU NA PÍLE













1. Udržujte tyčovú pílu v dostatočnej vzdialenosti od nadzemného elektrického vedenia.
2. Venujte pozornosť nebezpečenstvu v pracovnej polohe, ako aj riziku padajúcich konárov alebo rázov zasiahnutých do zeme a obsluha môže byť zasiahnutá padajúcimi konármi alebo nárazmi po dopadnutí na zem. Vymažte vetvy v každej sekcii.
3. Na zníženie možného nebezpečenstva zaistíte, aby boli v priebehu práce všetky osoby v bezpečnej vzdialenosti od miesta, kde sa pracuje.
4. Počas práce udržiavajte pevný postoj a rovnováhu. Používajte dodané popruhy.
5. Pri prevádzke, vrátane sluchu, používajte OOP ochrana, ochrana zraku (priezor alebo okuliare) a ochrana hlavy a odev.

# BEZPEČNOSTNÉ VAROVANIA TÝKAJÚCE SA BATÉRIÍ

- a) Nepokúšajte sa demontovať, rozoberať alebo rozrezávať batérie alebo jej články.
- b) Batériu neskratujte. Neukladajte batérie náhodne v škatuliach alebo v zásuvkách, kde by mohlo dôjsť k ich vzájomnému skratovaniu alebo k skratovaniu spôsobenému inými predmetmi. Ak sa batéria nepoužíva, udrzte ju v bezpečnej vzdialenosti od sponiek na papiere, minci, kľúčov, klincov, skrutiek alebo iných malých kovových predmetov, ktoré môžu spôsobiť prepojenie kontaktov batérie. Skratovanie kontaktov batérie môže spôsobiť popáleniny alebo požiar.
- c) Nevystavujte batériu pôsobeniu tepla alebo ohňa. Vyvarujte sa skladovania batérii na otvorenom slnku.
- d) Nevystavujte batériu mechanickým rázom.
- e) Ak dôjde k úniku kvapaliny z batérie, zabráňte tomu, aby sa táto kvapalina dostala do kontaktu s pokožkou alebo aby zasiahla oči. Ak dôjde k takému kontaktu, zasiahnuté miesto umyte značným množstvom vody a vyhľadajte lekárske ošetrovanie.
- f) Udržujte batérie čisté a suché.
- g) Ak sú svorky batérie znečistené, utrite ich čistou a suchou handričkou.
- h) Batéria musí byť pred použitím nabitá. Vždy postupujte podľa uvedených pokynov a používajte správny postup nabíjania.
- i) Nenechávajte batériu nabíjať, ak nebude batéria použitá.
- j) Po dlhodobom uložení budete možno musieť vykonať niekoľko cyklov nabíjania a vybíjania, aby batéria dosiahla svoj maximálny výkon.
- k) Vykonávajte nabíjanie iba v nabíjačke, ktorá je špecifikovaná spoločnosťou Kress. Nepoužívajte inú nabíjačku, než je nabíjačka špeciálne dodaná na použitie s týmto zariadením.
- l) Nepoužívajte žiadnu batériu, ktorá nie je určená na použitie s týmto zariadením.
- m) Ukladajte batérie mimo dosahu detí.
- n) Uchovajte originálnu dokumentáciu k tomuto výrobku na budúce odkazy.
- o) Ak sa zariadenie nepoužíva, vyberte z neho batériu.
- p) Vykonávajte riadnu likvidáciu batérie.
- q) V zariadení nekombinujte batérové články rôzneho dátumu výroby, kapacity, veľkosti alebo typu.
- r) Batériu uchovávajte ďalej od mikrovlnných rúr a zariadení pod vysokým tlakom.
- s) Upozornenie! Nepoužívajte jednorazové batérie.

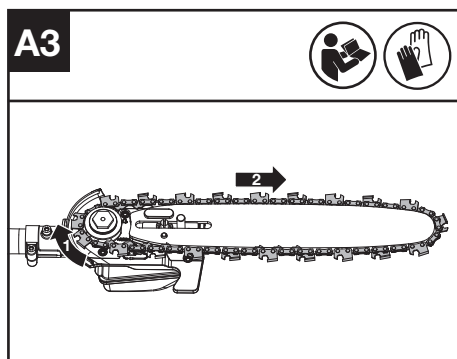
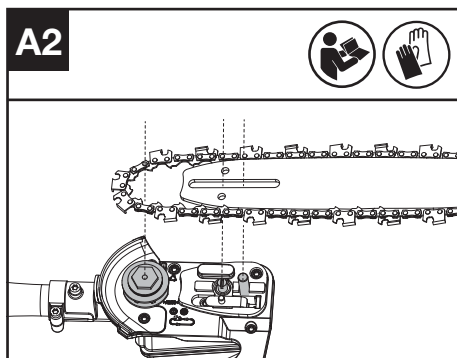
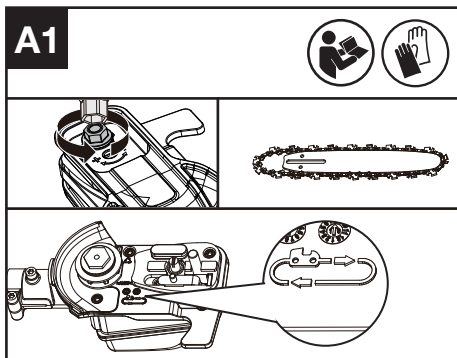
USCHOVAJTE TIETO POKYNY

# SYMBOLY

	Kvôli zníženiu rizika poranenia je potrebné, aby si používateľ najprv prečítal návod
	VÝSTRAHA
	Používajte ochranu sluchu
	Používajte ochranu očí
	Používajte protiprachovú masku
	Používajte ochrannú prilbu.
	Používajte ochranné rukavice.
	Používajte ochrannú obuv
	Udržujte dostatočnú vzdialenosť od elektrického vedenia
	Akumulátor Li-Ion. Tento výrobok bol označený symbolom "triedený odpad" pre všetky jednotlivé a zložené akumulátory. Preto musí byť s ohľadom vplyvu na životné prostredie po doslúžení recyklovaný alebo demontovaný. Akumulátory obsahujú nebezpečné látky, preto môžu byť nebezpečné pre životné prostredie a ľudské zdravie
	Nespaľujte ich
	Akumulátory sa môžu pri nesprávnom spôsobe likvidácie dostať do systému kolobehu vody, čo môže ohroziť vlastný ekosystém. Doslúžite akumulátory nelikvidujte ako zmesový komunálny odpad.

	Elektrické výrobky sa nesmú likvidovať spolu s domácim odpadom. Recyklujte v zberných miestach na tento účel zriadených. O možnosti recyklácie sa informujte na miestnych úradoch alebo u predajcu.
	Ekologická likvidácia. Staré elektrické spotrebiče sa nesmú likvidovať spolu s domovým odpadom, ale musia sa likvidovať oddelene. Likvidácia na obecnom zbernom mieste prostredníctvom súkromných osôb je bezplatná. Vlastník starých spotrebičov je zodpovedný za odovzdanie spotrebičov na tieto zberné miesta alebo na podobné zberné miesta. Týmto malým osobným úsilím prispějete k recyklácii cenných surovín a spracovaniu toxických látok.
	Odomknúť
	Zamknúť

4. Nasadíte kryt pohonu a utiahnete šesťhrannú maticu.



## MONTÁŽ A OBSLUHA

**POZNÁMKA:** Pred tým, ako náradie použijete, prečítajte si návod na použitie.

### MONTÁŽ

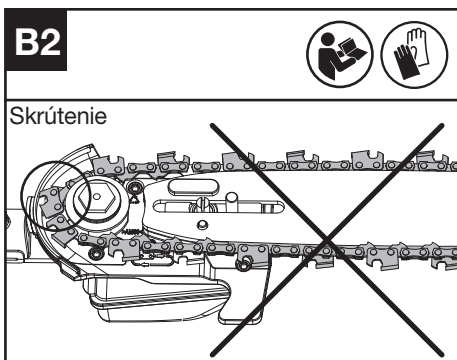
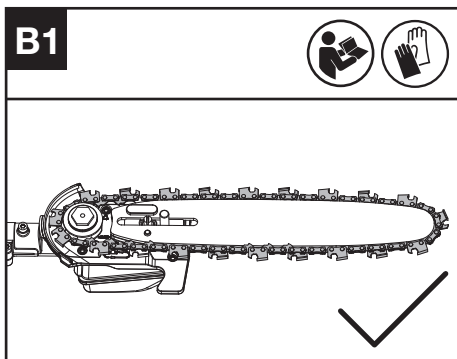
**VÝSTRAHA!** Neinštalujte akumulátor pred kompletným zostavením. Pri manipulácii s pilovou reťazou majte vždy natiiahnuté pracovné rukavice.

### ZOSTAVA REŤAZE A VODIACEJ LIŠTY

1. Uvoľnite šesťhrannú maticu a odstráňte kryt pohonu. Reťaz zasuňte do drážky okolo vodiacej lišty. Uistite sa, že reťaz sa pohybuje v správnom smere. (pozri obr. A1)
2. Nasadíte reťaz na hnacie reťazové koleso tak, aby tyčový polohovací kolík na podložke lišty zapadol do drážky otvoru na vodiacej lište. (pozri obr. A2, A3)
3. Všetky diely musia byť správne nasadené. Dbajte na to, aby boli hnacie články úplne zasunuté v hnacom reťazovom kolese (pozri obr. B1), aby nedošlo k skrúteniu, ako je znázornené na obr. B2. Ak dôjde k skrúteniu, zachyťte reťaz na vodiacej lište tesne pred miestom skrútenia a potom skrútenie napnite.

**POZNÁMKA:** Reťaz by sa mala otáčať voľne, ale na otáčanie reťaze je potrebná určitá sila

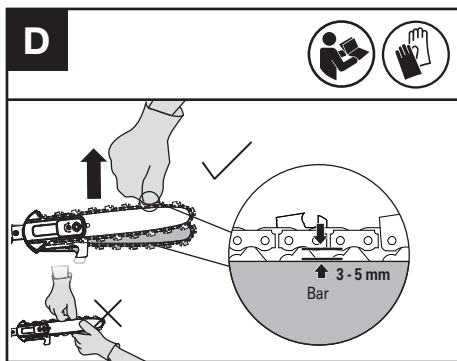
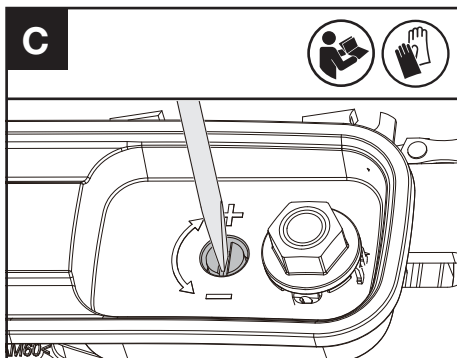
SK



3. Skontrolujte napnutie nastavené napínacou skrutkou reťaze. Správne napnutie reťaze sa dosiahne vtedy, keď je možné reťaz nadvihnúť približne do polovice hĺbky hnacieho článku od vodiacej lišty v strede. To by sa malo vykonať tak, že sa reťaz zdvihne rukou v rukavici proti hmotnosti stroja. (pozri obr. D) Potom úplne utiahnite šesťhrannú maticu.

**POZNÁMKA:** Reťaz je správne napnutá, keď sa dá zdvihnúť z vodiacej lišty a hnací článok je v koľajničke vodiacej lišty.

**POZNÁMKA:** Reťaz sa počas rezania uvoľní a stratí správne napnutie. Keď sa reťaz uvoľní, uvoľnite šesťhrannú maticu, dotiahnite skrutku napínania reťaze a potom znova utiahnite šesťhrannú maticu, aby ste správne obnovili napnutie reťaze podľa krokov 1 až 3 uvedených vyššie.



**⚠ VÝSTRAHA:** Reťaz ešte nie je napnutá. Reťaz napínajte podľa postupu uvedeného v časti „Napínanie reťaze“. Teraz je potrebné previesť kontrolu reťaze, či je správne napnutá.

### NAPÍNANIE REŤAZE (POZRI OBR. C, D)

**POZNÁMKA:** Nové reťaze píly sa pri prvom použití usadia na lišty. Pri prvom použití často kontrolujte napnutie reťaze a keď sa reťaz okolo vodiacej lišty uvoľní, napnite ju.

- Pred úpravou napnutia reťaze píly vyberte akumulátor.
- Rezné hrany reťaze sú ostré. Pri manipulácii s reťazou používajte ochranné rukavice.
- Reťaz vždy udržiavajte správne napnutú. Uvoľnená reťaz môže vyskočiť z drážky vodiacej lišty. Môže dôjsť k zraneniu operátora a poškodeniu reťaze. Uvoľnená reťaz spôsobí rýchle opotrebovanie reťaze, lišty a reťazového kolesa.

1. Položte tyčovú pílu na akýkoľvek vhodný rovný povrch a uvoľnite šesťhrannú maticu.
2. Otáčajte skrutkou napínania reťaze v smere hodinových ručičiek, kým nebude utiahnutá. (pozri obr. C)

**POZNÁMKA:** Napnutie sa automaticky zvyšuje, keď sa skrutka napínania reťaze otáča v smere hodinových ručičiek. Potom pevne utiahnite šesťhrannú maticu.

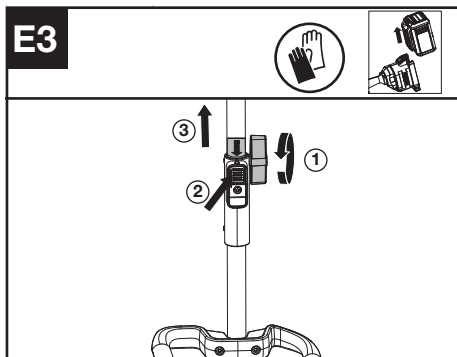
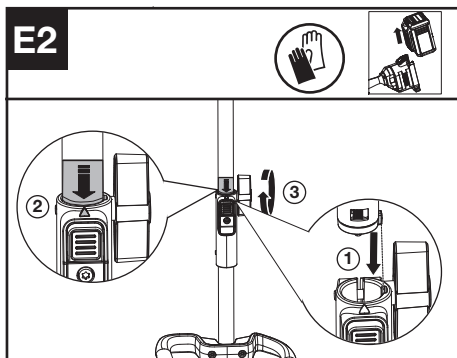
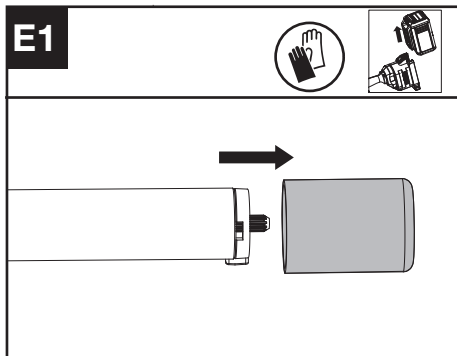
### Upevnenie a odpojenie pohonnej jednotky (Pozri Obr. E1, E2, E3)

1. Z konca prídavného hriadeľa odstráňte ochranný uzáver.
2. Pri montáži zarovnajete trojuholníkovú ikonu na tlačidle so šípkou štítiku na prídavnom hriadele.
3. Hriadele prilaďte k sebe, až kým nebudete počuť „cvaknutie“. Hrana šípky štítiku by mala byť tesne pri spojovacom puzdre hriadeľa. (Poznámka: Ak sa pracovná hlava pre tyčovú pílu nedá úplne



pripojiť k pohonnej jednotke, hlavu pre tyčovú pílu mierne pootočiť, kým sa nebude dať úplne nasadiť na hriadeľ.)

4. Montáž dokončíte utiahnutím gombíka v smere hodinových ručičiek.
5. Pre demontáž uvoľníte gombík jeho otočením proti smeru hodinových ručičiek a potom zatlačením na uvoľňovacie tlačidlo odtiahnete hriadeľ od seba. Na predlžovací hriadeľ znova založte ochranný uzáver, aby sa zaistilo, že do neho nebude vnikat' prach a úlomky.



**predlžovací hriadeľ, odkazujte sa prosím na obrázky E1, E2 a E3.**

## MASTENIE REŤAZE (POZRI OBR. F)

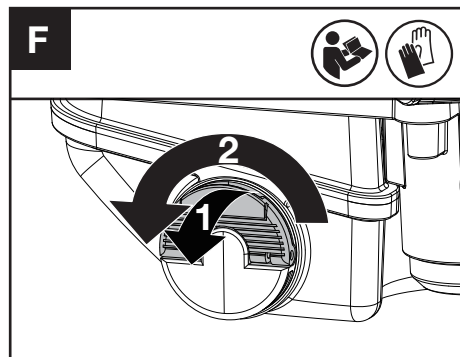
**!** **DÔLEŽITÉ:** Tyčová píla nie je naplnená olejom na lištu a reťaz. Pred použitím je nevyhnutné doplniť olej na lištu a reťaz. Nikdy nepoužívajte tyčovú pílu bez oleja na lištu a reťaz alebo nedovoľte, aby sa nádrž vyprázdnila, pretože by to viedlo k rozsiahlemu poškodeniu výrobku. **POZNÁMKA:** Životnosť reťaze a jej schopnosť pílenia závisia od optimálneho mazania. Preto sa reťaz počas prevádzky automaticky maže olejom.

### PLNENIE OLEJOVEJ NÁDRŽE:

**!** **VÝSTRAHA:** Pred naplnením olejovej nádrže vyberte akumulátor.

1. Postavte tyčovú pílu na akýkoľvek vhodný povrch s uzáverom plniaceho otvoru oleja smerujúcim nahor.
2. Okolie uzáveru plniaceho otvoru oleja vyčistíte handričkou a uzáver odskrutkujete otáčaním proti smeru hodinových ručičiek.
3. Pridávajte olej na lištu a reťaz, kým nie je nádrž takmer úplne plná.
4. Zabráňte vniknutiu nečistôt alebo úlomkov do olejovej nádrže, nasadte späť uzáver plniaceho otvoru oleja a utiahnite ho otáčaním v smere hodinových ručičiek, až kým nebude ručne utiahnutý.

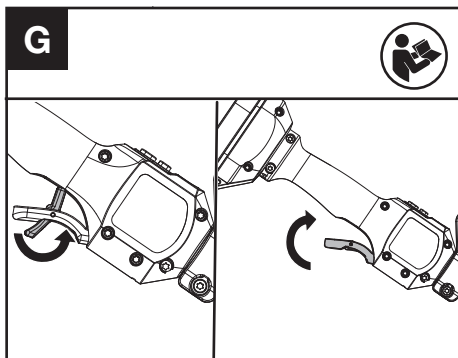
**!** Je dôležité používať mazivo na lišty a reťaze (nie motorový olej), ktoré je vyvinuté tak, aby fungovalo v širokom teplotnom rozsahu bez potreby riadenia. Nájdete ho na mieste, kde ste túto pílu zakúpili, alebo v miestnom železiarstve. Nepoužívajte špinavé, použité alebo inak znečistené oleje. Môže dôjsť k poškodeniu lišty alebo reťaze. Použitie neschváleného oleja na lištu a reťaz ruší platnosť záruky. Olej na lištu uchovávajte mimo dosahu detí. V prípade požitia okamžite vyhľadajte lekára. Skladujte mimo dosahu tepla alebo otvoreného ohňa.



Informácie o montáži a demontáži pre

# PREVÁDZKA

## Štartovanie tyčovej píly



1. Tlačte najprv páka bezpečnostného zámku dopredu, potom stlačte a podržte spúšť škrtiacej klapky na štart stroja.

**POZNÁMKA:** Ďalšie podrobnosti nájdete v manuáli pre pohonovú hlavicu.

## REZANIE

**!** **DÔLEŽITÉ:** Pravidelne kontrolujte nádrž na olej. Napnutie novej vymenenej reťaze skontrolujte vždy, keď vymeníte akumulátor.

- (1) Inštalácia akumulátora do zariadenia.
- (2) Nedovoľte, aby sa reťaz počas prevádzky dostala do kontaktu so zemou, pretože sa tým reťaz otupí.
- (3) Na uchopenie píly použite obe ruky.
- (4) Uistite sa, že pevne stojíte. Nohy majte od seba na šírku ramien. Váhu rozložte rovnomerne na obe nohy.
- (5) Keď budete pripravení na rezanie, postupujte podľa vyššie uvedených postupov spustenia a výberu rýchlosti. Týmto sa píla zapne. Uvoľnením spúšte sa píla vypne. Píla musí pred začatím pílenia bežať na plné otáčky.
- (6) Pri začatí rezania pomaly priložte pohybujúcu sa reťaz k drevu. Drevo by malo byť čo najbližšie k reznej hlave. Držte pílu pevne na mieste, aby ste zabránili možnému odskočeniu alebo skĺznutiu (pohybu do strán) píly.
- (7) Pílu vedte miernym tlakom a nevyvíjajte na ňu nadmernú silu, nechajte ju pracovať. Motor sa preťažší a môže zhorieť. Svoju prácu vykoná lepšie a bezpečnejšie pri rýchlosti, na ktorú bola určená.
- (8) Odstráňte pílu z rezu s pílou bežiacou na plné otáčky. Zastavte pílu. Pred odložením píly sa uistite, že sa reťaz zastavila.
- (9) Cvičte na odpadových polenách v bezpečnom pracovnom priestore, kým nebudete spokojný, pomocou plynulého pohybu a rovnomernej rýchlosti rezania.

## BEZPEČNOSTNÉ ZARIADENIA PROTI

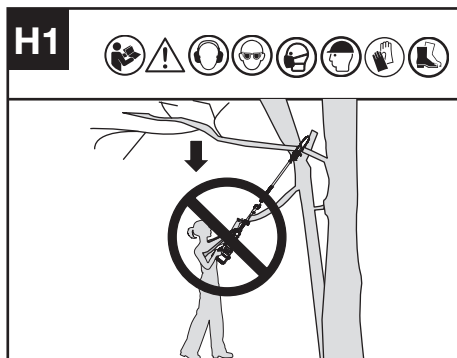
## SPÄTNÉMU RÁZU NA TEJTO PÍLE

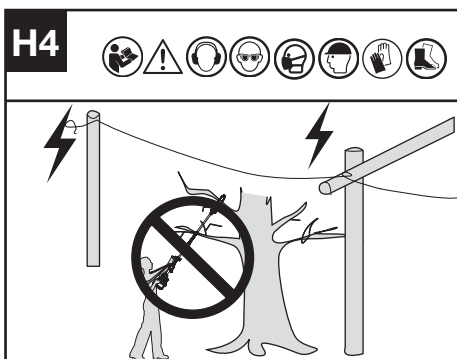
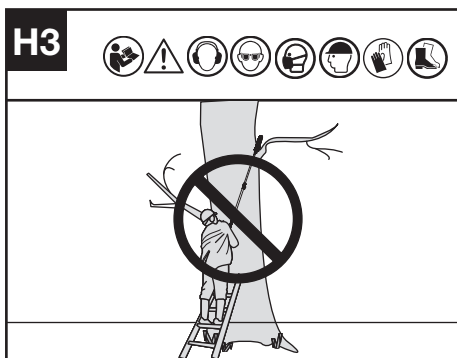
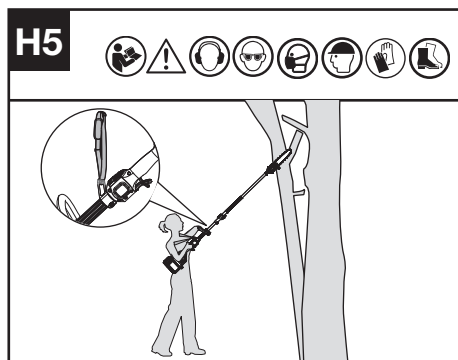
Táto píla je vybavená reťazou s nízkym spätným rázom a tiež vodiacou lištou s redukciou spätného rázu. Obe tieto súčasti redukujú možný spätný ráz. K spätnému rázu však u tejto píly môže dôjsť. Nasledujúce kroky pomôžu znížiť riziko vzniku spätného nárazu.

- Počas chodu píly ju držte oboma rukami. Použite pevný úchop.
- Udržujte všetky bezpečnostné prvky na mieste na píle. Uistite sa, že fungujú správne.
- Vždy majte pevný postoj a rovnováhu.
- Postavte sa mierne na ľavú stranu píly. Vaše telo tak nebude v priamej línii s reťazou.
- Nedovoľte, aby sa špička vodiacej lišty ničoho dotýkala, keď sa reťaz pohybuje.
- Nezatínajte nos vodiacej lišty ani sa nepokúšajte o ponorný rez (vrátnie do dreva pomocou nosa vodiacej lišty).
- Dávajte pozor na posunutie dreva alebo iné sily, ktoré môžu reťaz stlačiť.
- Pri opätovnom vstupe do predchádzajúceho rezu buďte mimoriadne opatrní.
- Používajte len reťaz a vodiacu lištu s nízkym spätným rázom, ktoré boli dodané s touto tyčovou pílou alebo sú odporúčané.
- Nikdy nepoužívajte tupú alebo uvoľnenú reťaz. Udržujte reťaz ostrú a správne napnutú.

## REZANIE VYSOKÝCH KONÁROV

1. Inštalácia akumulátora do zariadenia.
2. Pred odrezaním vysokého konára venujte osobitnú pozornosť pravdepodobnej dráhe pádu konára. **VÝSTRAHA:** Nestojte priamo pod rezaným konárom. Udržujte okolostojace osoby v dostatočnej vzdialenosti. Počas používania nástroja nestojte na rebriku ani na inom type nestabilnej podpery. Nepoužívajte náradie v blízkosti káblového, elektrického alebo telefónneho vedenia. Udržujte vzdialenosť 10 stôp (3 m) od všetkých elektrických vedení. (pozri obr. H1-H4)





3. Tyčovou pílu uchopte obidvoma rukami a začnite píliť konáre.

**OREZÁVANIE STROMOV (ODVETVOVANIE)**  
**VAROVANIE:** Vyhnite sa spätnému rázu. Spätný ráz môže spôsobiť vážne zranenie alebo smrť. Ako môžete zabrániť riziku spätného rázu nájdete v kapitole Spätný ráz.

**VÝSTRAHA:** Nepoužívajte tyčovú pílu, keď

- ste na strome
- ste na rebriku alebo na inom nestabilnom povrchu
- ste v nepohodnej polohe

Môžete stratiť kontrolu nad tyčovou pílou a spôsobiť vážne poranenie.

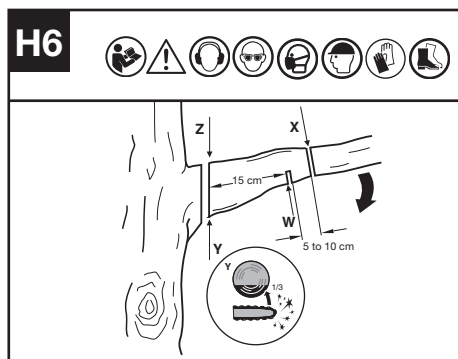
**UPOZORNENIE:** Ak okolité podmienky presahujú vaše schopnosti, vyhľadajte odbornú pomoc.

Rezanie stromov je proces odrezávania konárov zo živého stromu. Skontrolujte, či máte pevný postoj.

Chodidlá majte rozkročené na šírku ramien. Rozložte svoju váhu rovnomerne na obe nohy.

Pri rezaní stromov postupujte podľa nižšie uvedených pokynov.

1. Prvý rez vykonajte niekoľko centimetrov (c) od kmeňa stromu na spodnej strane konára. Na tento rez použite hornú časť vodiacej lišty. Odrežte 1/3 priemeru konára (pozri obr. H6).



2. Posuňte sa o niekoľko centimetrov (30 % c) vyššie na konári. Vykonajte druhý rez z hornej časti konára. Pokračujte v rezaní, kým neodrežete konár stromu.

3. Tretí rez urobte čo najbližšie ku kmeňu stromu a úplne odrežte zostávajúci pahýľ. Použite spodok vodivej lišty na vykonanie tohto rezu.

### Pre akumulátorové náradie

Odporúčaný rozsah okolitej teploty pre vybíjanie je -20 až 45°C.

Odporúčený rozsah okolitej teploty pre nabíjací systém v priebehu nabíjania je -5°C~45°C.

## PREPRAVA

### Preprava tyčovej píly

1. Vypnite tyčovú pílu a vyberte akumulátor.
2. Pri ručnej preprave tyčovej píly držte tyč tyčovej píly tak, aby bol stroj rovnobežný so zemou a lišta smerovala dozadu.
3. Pri preprave tyčovej píly vo vozidle ju zaistíte a umiestnite tak, aby ste zabránili jej pohybu alebo poškodeniu.

## ÚDRŽBA PÍLY

Postupujte podľa pokynov na údržbu uvedených v tejto príručke. Správne čistenie a údržba píly, reťaze a vodiacej lišty môže znížiť pravdepodobnosť opotrebovania. Pílu skontrolujte po každom použití a vykonajte jej údržbu. Týmto sa predĺži prevádzková životnosť vašej píly. Ak sa píla počas prevádzky namočí v daždi, stroj a akumulátor by sa mali pred uskladnením alebo nabíjaním vysušiť.

## ÚDRŽBA A SKLADOVANIE TYČOVEJ PÍLY

1. **Vyberte akumulátor**
  - Keď sa nepoužíva
  - Pred presunom z jedného miesta na druhé
  - Pred údržbou
  - Pred výmenou príslušenstva alebo prídavných zariadení, ako sú reťaz a lišta
2. **Pred a po každom použití skontrolujte tyčový pílu.** Pozorne skontrolujte pílu, či sa nepoškodil ochranný kryt alebo iná časť. Skontrolujte, či nedošlo k poškodeniu, ktoré by mohlo ovplyvniť bezpečnosť obsluhy alebo prevádzku píly. Skontrolujte zarovnanie alebo spojenie pohyblivých častí. Skontrolujte, či nie sú zlomené alebo poškodené časti. Nepoužívajte tyčovú pílu, ak poškodenie ovplyvňuje bezpečnosť alebo prevádzku. Poškodenie nechajte opraviť v autorizovanom servisnom stredisku.
3. **Starostlivo udržiavajte tyčovú pílu.**
  - Pre lepšiu a bezpečnejšiu výkon udržiavajte reťaz ostrú, čistú a namazanú.
  - Pri ostrení reťaze postupujte podľa krokov uvedených v tejto príručke.
  - Udržiavajte rukoväť suchú, čistú a zbavenú oleja a mastnoty.
  - Udržiavajte všetky skrutky a matice pevne dotiahnuté.

### 4. Pri vykonávaní údržby používajte iba rovnaké náhradné súčiastky.

### 5. Ak sa píla nepoužíva, vždy ju skladujte

- na vysokom alebo uzamknutom mieste, mimo dosahu detí
- na suchom mieste
- s nasadeným ochranným puzdrom

## BAR MAINTENANCE

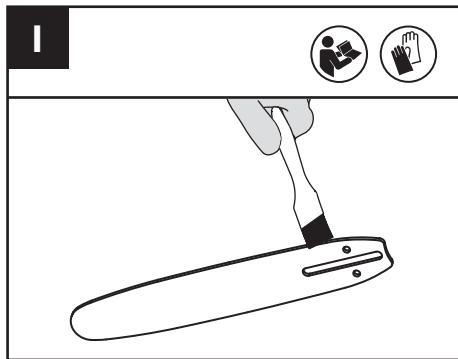
Pre maximálnu životnosť vodiacej lišty je odporúčaná nasledujúca údržba.

Nosné koľajnice vodiacej lišty, ktoré nesú reťaz, by mali byť vyčistené pred uskladnením píly alebo ak sú reťaz alebo vodiace lišty zanesené nečistotou. Koľajnice by sa mali vyčistiť po každom zosadení reťaze.

Príležitostne môže byť potrebné odstrániť trepy z tyčových koľajnic pomocou plochého pilníka

## SITUÁCIE, KTORÉ VYŽADUJÚ ÚDRŽBU REŤAZE A VODIACEJ LIŠTY

1. Odstráňte kryt reťaze, lištu a reťaz. (Pozrite časť MONTÁŽ).
2. Z koľajnic vodiacej lišty odstráňte nečistoty pomocou drôtenej kefy, skrutkovača alebo podobného vhodného náradia. (pozri obr. I)
3. Skontrolujte, či ste dôkladne očistili miesta s nánosmi maziva.

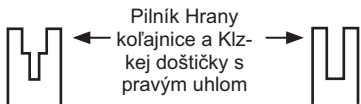


## PODMIENKY, KTORÉ SI VYŽADUJÚ ÚDRŽBU REŤAZE A VODIACEJ LIŠTY:

- Píla reže na jednu stranu alebo pod uhlom.
- Píla sa musí pretlačiť cez rez.
- Nedostatočný prísun oleja do lišty a reťaze.

Po každom nabrúsení reťaze skontrolujte stav vodiacej lišty. Opatrebovaná lišta spôsobuje poškodenie reťaze a rezanie tak bude obtiažne. Po každom použití pílu odpojte od zdroja napájania, z vodiacej lišty a z otvoru reťazového kolesa odstráňte všetky nánosy pilín.

Ak nie je horná strana vodiacej lišty rovná, zarovnajtie strany a pravé uhly pomocou plochého pilníka.



Opotrebovaná drážka

Správny tvar drážky

Vymeňte vodiacu lištu, ak je drážka opotrebovaná, vodiaca lišta je ohnutá alebo prasknutá, alebo ak sa vyskytne nadmerné zahrievanie alebo štiepenie koľajníc. Pokiaľ je nahrazení nutné, použijte pouze lištu, ktorá je uvedená v seznamu náhradných dielí nebo na štítku umístěném na motorové pile.

## VÝMENA PÍLOVEJ RETAZE/VÝMENA A OBRÁTENIE ČEPELE

Výmena pílovej reťaze/výmena a obrátenie čepele  
Vymeňte reťaz pily, ak sú zuby reťaze príliš opotrebované alebo ak dôjde k prasknutiu reťaze. Používajte iba remeň, ktorý je uvedený v tomto návode.

Pred brúsením reťaze skontrolujte vodiacu lištu. Opatrebovaná alebo poškodená vodiaca lišta je veľmi nebezpečná. Opatrebovaná alebo poškodená vodiaca lišta spôsobí poškodenie reťaze pily a rezanie bude omnoho náročnejšie.

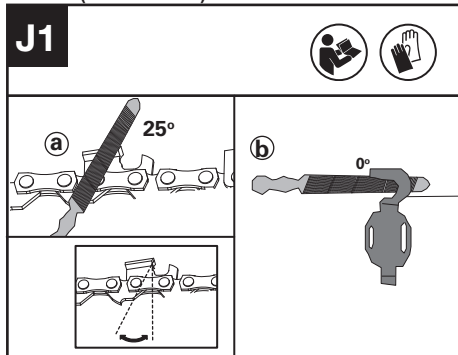
## OSTRENIE PÍLOVEJ REŤAZE

**!** **VÝSTRAHA:** Pred vykonávaním servisu vyberte z pily batériu. Mohlo by dôjsť k úrazu elektrickým prúdom alebo pri kontakte s pohybujúcou sa reťazou k ťažkému či smrteľnému zraneniu.

Rezné hroty na reťazi sú ostré. Pri manipulácii s reťazou používajte ochranné rukavice.

Dbajte na to, aby bola reťaz pily stále ostrá. Vaša píla bude rezať rýchlejšie a bezpečnejšie. Tupá reťaz pily bude spôsobovať zbytočne veľké opotrebovanie hnacieho reťazového kolesa, vodiacej lišty, reťaze pily a motora. Ak musíte reťaz pily tlačiť do dreva silou a ak vzniká pri rezaní iba prach s niekoľkými veľkými trieskami, reťaz pily je tupá.

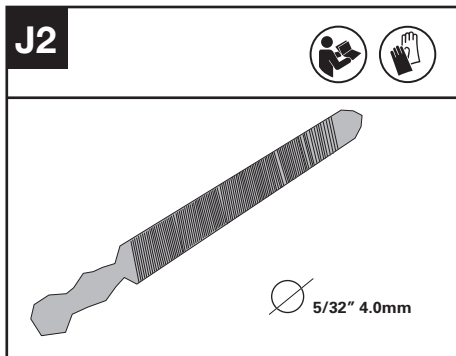
Pred ostrením venujte pozornosť nasledujúcim bodom: (Pozri obr. J1)



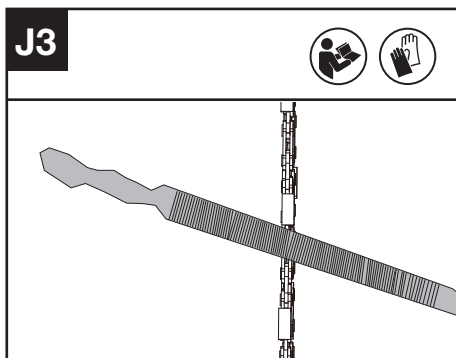
a:Uhol pilovania; b:poloha pilníka.

## Ako nabrúsiť zuby pily

1. Na ostrenie zubov pily si pripravte okrúhly pilník. (Pozri obr. J2). Poznámka: Vodiacu lištu pred ostrením pily pevne upnite do zveráka. Dbajte na to, aby reťaz nebola „pricviknutá“ a aby sa mohla voľne pohybovať po vodiacej lište. Skontrolujte správne napnutie reťaze. (Pozrite si časť „Napínanie reťaze“).

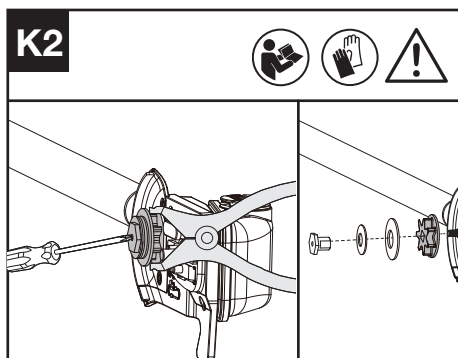
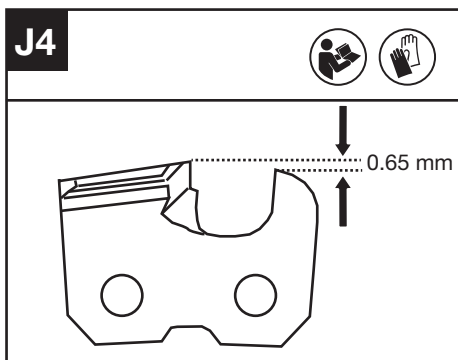


2. Zuby ostre pilníkom od ich vnútornej strany smerom k vonkajšej strane reťaze. (Pozri obr. J3)



3. Opilujte všetky zuby na jednej strane vodiacej lišty.
4. Reťazovú pílu otočte a opilujte všetky zuby na opačnej strane.
5. Dbajte na to, aby mali všetky pílové zuby rovnakú dĺžku. Aby bolo zabezpečené účinné, bezpečné a plynulé pílenie, pilujte do hĺbky 0,65 mm pomocou hĺbkomera. Predná hrana hĺbkomera musí byť zaoblená. (Pozri obr. J4)

SK



## KONTROLA A ÚDRŽBA KOLESA REŤAZE

**!** **VÝSTRAHA:** Pred kontrolou je potrebné vypnúť tyčovú pílu a vybrať batériu.

1. Odstráňte kryt kolesa reťaze, reťaz a vodiacu lištu.
2. Skontrolujte, či známky opotrebovania nie sú hlbšie ako  $a = 0,5$  mm, ako je to znázornené na obr. K1. Ak áno, potom musíte vymeniť koleso reťaze. (pozri obr. K1)
3. Koleso reťaze pri výmene skontrolujte pomocou klieští, skrutkovačom uvoľnite maticu a vymeňte ho. (pozri obr. K2)

## ČISTENIE

1. Vypnite tyčovú pílu a vyberte akumulátor.
2. Nepoužívajte agresívne čistiace prostriedky alebo rozpúšťadlá. Po použití stroj očistite vlhkou handričkou namočenou v jemnom čistiacom prostriedku.
3. Udržujte prípojky batérie bez špiny a nečistôt a vyčistite ich mäkkou a suchou kefou alebo handričkou.
4. Nestriekajte vodu na motor a elektrické komponenty.
5. Na čistenie stroja nepoužívajte tlakovú umývačku.

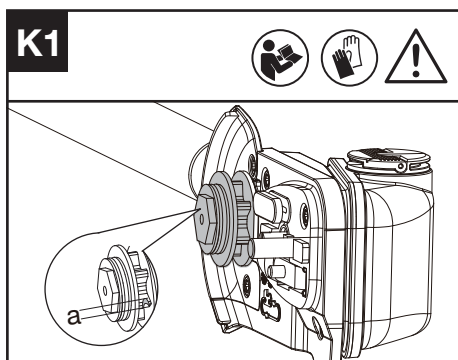
## SKLADOVANIE

1. Pred uskladnením vyberte akumulátor z tyčovej píly.
2. Tyčovú pílu a batériu skladujte na suchom a bezpečnom mieste, ktoré nie je prístupné deťom a iným nepovolaným osobám.
3. V prípade zvlhnutia počas prevádzky sa musí zariadenie a batéria vysušiť pred uskladnením alebo nabíjaním. Ak sa zariadenie nepodarí zapnúť, vyberte batériu a znovu ju vložte.

## ODSTRÁŇOVANIE PROBLÉMOV

V prípade, že Vaše ručné elektrické náradie nefunguje bezchybne, v nasledujúcej tabuľke máte zobrazené symptómy jednotlivých porúch, ich možné príčiny a opatrenia na ich odstránenie. Ak nebudete vedieť identifikovať problém a odstrániť vzniknutú poruchu, obráťte sa na svoju autorizovanú servisnú opravovňu.

**!** **DÔLEŽITÉ UPOZORNENIE:** Predtým, ako začnete hľadať poruchu, ručné elektrické Náradie vypnite a vyberte z neho akumulátor.



Symptóm	Možné príčiny	Možné riešenie
Barovú pílu nie je možné ovládať	Vybitá batéria	Nabite batériu
Rod videl prerušovanú prevádzku	Prehriatie	Pílu položte na chladné, vetrané miesto, aby mohla vychladnúť.
	Príliš vysoký prítlak pri rezaní	Pri rezaní na pílu príliš netlačte.
	Uvoľnený spoj	Vyhľadajte autorizovanú servisnú opravovňu
	Uvoľnený niektorý interný kontakt	
	Chybná spúšť zapnutia/vypnutia.	
Reťaz/vodiaca lišta sú horúce	V olejovej nádržke niet oleja	Doplňte olej
	Vetrací otvor v uzávere plniaceho otvoru oleja je upchatý	Vyčistite uzáver
	Výtokový kanálik oleja je upchatý	Prečistiť výtokový kanálik oleja
Extrémne trhanie, vibrácie, píľ nie sú správne	V olejovej nádržke niet oleja	Doplňte olej
	Vetrací otvor v uzávere plniaceho otvoru oleja je upchatý	Vyčistite uzáver
	Výtokový kanálik oleja je upchatý	Prečistiť výtokový kanálik oleja
	Napnutie reťaze je príliš veľké	Nastaviť napnutie reťaze
	Reťaz je tupá	Nabrúsiť reťaz, alebo ju nahradiť novou
Pole saw vibrates, does not saw properly	Reťaz je tupá	Nabrúsiť reťaz, alebo ju nahradiť novou.
	Reťaz je opotrebovaná	Reťaz vymeniť
	Zuby pílovej reťaze majú nesprávny smer	Pílovú reťaz premontovať tak, aby mali zuby korektný smer
	Napnutie reťaze je príliš slabé	Nastaviť napnutie reťaze

SK

## TECHNICKÉ PARAMETRE

	KAC361
Dĺžka tyče	25 cm
Rýchlosť reťaze	Vysoká: 17 m/s Nízka: 13 m/s
Objem olejovej nádrže	160 ml
Odstup zubov reťaze	3/8" LP
Meradlo reťaze	1.1 mm
Stupeň ochrany	IPX4
Hmotnosť zariadenia	1.8 kg

# KOMBINÁCIE REZACÍCH NÁSTAVCOV

## Rezací nástavec

KAC333-10"/25cm 0.043"/1.1mm 3/8 LP Lišta

KAC302-10"/25cm 0.043"/1.1mm 3/8 LP Reťaz

KAC335-12"/30cm 0.043"/1.1mm 3/8 LP Lišta

KAC304-12"/30cm 0.043"/1.1mm 3/8 LP Reťaz

# INFORMÁCIE S PREDLŽOVACÍM HRIADEĽOM (KAC360)

## INFORMÁCIE O HLUKU

Nameraný akustický tlak  $L_{pA} = 79 \text{ dB(A)}$   
 $K_{pA} = 3,0 \text{ dB(A)}$

Nameraný akustický výkon  $L_{wA} = 94,1 \text{ dB(A)}$   
 $K_{wA} = 1,1 \text{ dB(A)}$

Používajte ochranu sluchu.



SK

# INFORMÁCIE O VIBRÁCIÁCH

Výsledné celkové hodnoty pre vibrácie (suma pre trojsový vektor) stanovené podľa normy EN ISO 11680-1.

Hodnota emisie vibrácií	$a_h = 1,3 \text{ m/s}^2$
	Nepresnosť $K = 1.5 \text{ m/s}^2$

# INFORMÁCIE BEZ PREDLŽOVACEJ HRIADEĽE

## INFORMÁCIE O HLUKU

Nameraný akustický tlak  $L_{pA} = 82 \text{ dB(A)}$   
 $K_{pA} = 3,0 \text{ dB(A)}$

Nameraný akustický výkon  $L_{wA} = 93 \text{ dB(A)}$   
 $K_{wA} = 1,5 \text{ dB(A)}$

Používajte ochranu sluchu.



# INFORMÁCIE O VIBRÁCIÁCH

Výsledné celkové hodnoty pre vibrácie (suma pre trojsový vektor) stanovené podľa normy EN ISO 11680-1.

Hodnota emisie vibrácií	$a_h = 1,87 \text{ m/s}^2$
	Nepresnosť $K = 1,5 \text{ m/s}^2$

Deklarovaná celková hodnota vibrácií sa môže použiť na vzájomné porovnanie jednotlivých náradí a takisto aj na predbežné stanovenie času práce.

**!** **VÝSTRAHA:** Hodnota emisie vibrácií počas skutočného používania elektrického náradia sa môže odlišovať od deklarovanej hodnoty, a to v závislosti od spôsobu používania náradia a v závislosti od nasledujúcich príkladov odchýlok od spôsobu používania náradia:

Akým spôsobom sa náradie používa a aké materiály budú rezané alebo vŕtané.

Náradie je v dobrom stave a je dobre udržiavané.

Používanie správneho príslušenstva v spojení s náradím a zabezpečenie jeho ostrosti a dobrého stavu.

Tesnosť zovretia rukovätí a používanie doplnkov proti vibráciám.

Používanie náradia na účel určený podľa konštrukcie a v súlade s pokynmi.

Toto náradie môže vyvolávať syndróm trasenia rúk a ramien, pokiaľ jeho používanie nie je správnym spôsobom riadené.

**!** **VÝSTRAHA:** Kvôli presnosti by mal odhad úrovne expozície v skutočných podmienkach používania obsahovať tiež všetky súčasti prevádzkového cyklu, ako sú časy, keď je náradie vypnuté a počas ktorých beží na voľnobehu, a to okrem skutočného vykonávania práce. Tým môže dôjsť k značnému zníženiu úrovne expozície počas celkového prevádzkového času. Pomôžte minimalizovať riziko expozície účinkom vibrácií.

VŽDY používajte ostré sekáče a čepele.


Náradie udržiavajte v súlade s týmto návodom a udržiavajte ho dobre namazané (ak je to potrebné).

Ak sa náradie používa často, investujte do príslušenstva zabraňujúceho vibráciám.

Prácu si naplánujte tak, aby ste akékoľvek používanie náradia pri vysokých vibráciách rozdelili do niekoľkých dní.



# OCHRANA ŽIVOTNÉHO PROSTREDIA

 Elektrické výrobky sa nesmú likvidovať spolu s domácim odpadom. Recyklujte v zberných miestach na tento účel zriadených. O možnosti recyklácie sa informujte na miestnych úradoch alebo u predajcu.

Testovanie & Certifikácia  
Positec Technology (China) Co., Ltd.  
18, Dongwang Road, Suzhou Industrial  
Park, Jiangsu 215123, P. R. China

## PREHLÁSENIE O ZHODE

MY,  
Positec Germany GmbH  
Postfach 680194, 50704 Cologne, Germany

V mene spoločnosti Positec vyhlasujeme, že produkt

**Popis:** Tyčová píla poháňaná batériou

**Typ:** KAC361 (361 - označenie strojového zariadenia, zástupca tyčovej píly)

**Funkcia:** Rezanie vysokých konárov

Zodpovedá nasledujúcim smerniciam:

**2006/42/EC, 2014/30/EU, 2011/65/EU & (EU)2015/863, 2000/14/EC v novelizácii 2005/88/EC**

Poverený úradný orgán

Názov: Intertek Deutschland GmbH (úradná vyhláška 0905)

Adresa: Stangenstraße 1, 70771 LEINFELDEN-ECHTERDINGEN

Číslo certifikátu: 24SHW0160

### Informácie s predlžovacím hriadeľom (KAC360)

2000/14/EC v novelizácii 2005/88/EC:

- Postup vyhodnotenia zhody podľa Dodatku V
- Meraný akustický výkon 94 dB(A)
- Deklarovaný zaručený akustický výkon 96 dB(A)

### Informácie bez predlžovacej hriadele

2000/14/EC v novelizácii 2005/88/EC:

- Postup vyhodnotenia zhody podľa Dodatku V
- Meraný akustický výkon 93 dB(A)
- Deklarovaný zaručený akustický výkon 95 dB(A)

Spĺňa posudzované normy,

**EN 62841-1, EN ISO 11680-1, EN ISO 3744, EN IEC 55014-1, EN IEC 55014-2, EN IEC 63000**

Osoba oprávnená za zostavenie technického súboru,

**Názov Marcel Filz**

**Adresa Positec Germany GmbH**

**Postfach 680194, 50704 Cologne, Germany**



2024/01/26

Allen Ding

Zástupca vrchnej konštruktívnej kancelárie,

SK

# KAZALO VSEBINE

Uvod.....	202
Sestavni deli.....	203
Varnost izdelka.....	204
Sestavljanje in način uporabe.....	207
Mazanje.....	209
Delovanje.....	210
Transport.....	212
Vzdrževanje žage.....	212
Čiščenje.....	214
Shranjevanje.....	214
<b>SL</b> Odpravljanje napak.....	215
Tehnični podatki.....	216
Izjava o skladnosti.....	217

## UVOD

Spoštovana stranka,

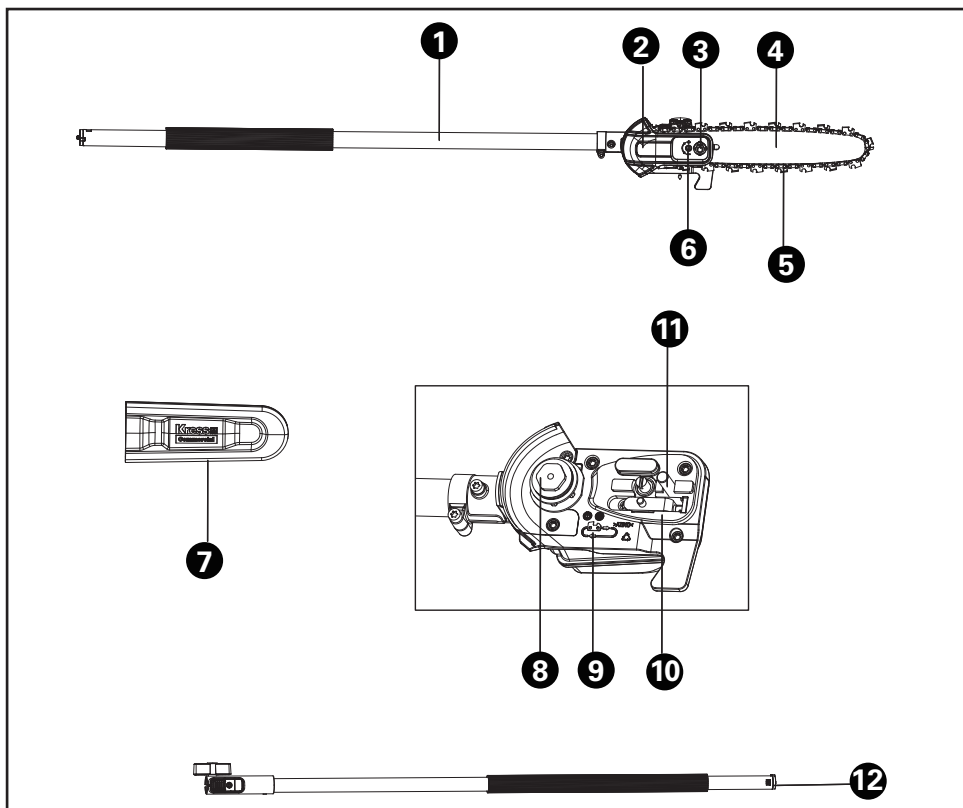
Hvala za nakup tega izdelka Kress Commercial. Predani smo razvoju visokokakovostnih izdelkov, ki ustrezajo vašim zahtevam komercialnega urejanja okolice.

Znamka Kress je sinonim za storitve vrhunske kakovosti. Če imate v času življenjske dobe vašega izdelka kakršna koli vprašanja ali pomisleke glede vašega izdelka, se za pomoč obrnite na svojega prodajalca ali našo skupino za pomoč strankam.

Prepričani smo, da boste z uporabo vašega izdelka Kress uživali še vrsto let.

## PREDVIDENA UPORABA

V povezavi s KAC104 - Pogonska glava, ta žaga na palici je zasnovana za obrezovanje in prirezovanje vej, ki so izven dosega rok. Vse reze je treba izvesti prečno. Ta izdelek je namenjen samo rezanju lesa.



SL

## SESTAVNI DELI

- |     |                               |
|-----|-------------------------------|
| 1.  | GRED                          |
| 2.  | POKROV POGONA                 |
| 3.  | ŠESTROBA MATICA               |
| 4.  | MEČ                           |
| 5.  | VERIGA                        |
| 6.  | VIJAK ZA NAPENJANJE VERIGE    |
| 7.  | ŠČITNIK ZA MEČ                |
| 8.  | POGONSKI VERIŽNIK             |
| 9.  | SIMBOL ZA SMER VRTENJA VERIGE |
| 10. | PLOČEVINA MEČA                |
| 11. | VIJAK ZA PRITRDITEV MEČA      |
| 12. | PODALJŠEK GREDI *             |

\* Pri standardni dobavi niso vključeni vsi prikazani dodatki.

# IZVIRNA NAVODILA VARNOST IZDELKA SPLOŠNA VARNOSTNA OPOZORILA



**OPOZORILO** Pred uporabo orodja, pazorno preberite vsa varnostna opozorila, navodila, preglejte ilustracije ter preverite tehnične podatke orodja.

Neupoštevanje opozoril in navodil lahko privede do električnega udara in/ali resnih poškodb.

Vsa opozorila in napotila shranite, ker jih boste v prihodnje še potrebovali.

Pojem „električno orodje“, ki se pojavlja v nadaljnjem besedilu, se nanaša na električna orodja z električnim pogonom (z električnim kablom) in na akumulatorska električna orodja (brez električnega kabla).

## 1) Varnost na delovnem mestu

- a) **Delovno področje naj bo vedno čisto in dobro osvetljeno.** Nered in neosvetljena delovna področja lahko povzročijo nezgode.
- b) **Ne uporabljajte električnega orodja v okolju, kjer lahko pride do eksplozije oziroma tam, kjer se nahajajo vnetljive tekočine, plini ali prah.** Električna orodja povzročajo iskrenje, zaradi katerega se lahko prah ali para vnameta.
- c) **Prosimo, da med uporabo električnega orodja ne dovolite otrokom ali drugim osebam, da bi se Vam približali.** Odvrčanje Vaše pozornosti drugam lahko povzroči izgubo kontrole nad napravo.

## 2) Električna varnost

- a) **Priključni vtikač električnega orodja se mora prilegati vtičnici. Spreminjanje vtičaka na kakršenkoli način ni dovoljeno.** Pri ozemljenih električnih orodjih ne uporabljajte vtičavev z adapterji. Nespremenjeni vtičaki in ustrezne vtičnice zmanjšujejo tveganje električnega udara.
- b) **Zogibajte se telesnemu stiku z ozemljenimi površinami kot so na primer cevi, grelci, štedilniki in hladilniki.** Tveganje električnega udara je večje, če je Vaše telo ozemljeno.
- c) **Stroja ne uporabljajte v dežju ali mokrih pogojih. To lahko poveča nevarnost električnega udara.** Ko se med delovanjem zmočita zaradi dežja, je treba stroj in baterijo pred shranjevanjem ali polnjenjem posušiti. Odstranite baterijo in jo znova vstavite, če se stroj ne vklopi. Priključek za baterijo naj bo čist in brez tujkov, očistite ga z mehko in suho krtačo ali krpo.
- d) **Ne uporabljajte kabla za nošenje ali obešanje električnega orodja in ne vlečite za kabel, če želite vtikač izvleči iz vtičnice. Kabel zavajate pred vročino, oljem, ostrimi robovi ali premikajočimi se deli naprave.** Poškodovani ali zapleteni kabli povečujejo tveganje električnega udara.

- e) **Kadar uporabljate električno orodje zunaj, uporabljajte samo kabselske podaljške, ki so primerni za delo na prostem.** Uporaba kabselskega podaljška, ki jê primeren za delo na prostem, zmanjšuje tveganje električnega udara.
- f) **Če je uporaba električnega orodja v vlažnem okolju neizogibna, uporabljajte stikalo za zaščito pred kvarnim tokom.** Uporaba zaščitnega stikala zmanjšuje tveganje električnega udara.

## 3) Osebna varnost

- a) **Bodite pozorni, pazite kaj delate ter se dela z električnim orodjem lotite z razumom. Ne uporabljajte električnega orodja, če ste utrujeni oziroma če ste pod vplivom mamil, alkohola ali zdravil.** Trenutek nepazljivosti med uporabo električnega orodja je lahko vzrok za resne telesne poškodbe.
  - b) **Uporabljajte osebno zaščitno opremo in vedno nosite zaščitna očala.** Nošenje osebne zaščitne opreme, na primer maske proti prahu, nedrsečih zaščitnih čevljev, varnostne čelade ali zaščitnih slušnikov, kar je odvisno od vrste in načina uporabe električnega orodja, zmanjšuje tveganje telesnih poškodb.
  - c) **Zogibajte se nenamernemu zagonu. Pred priključitvijo električnega orodja na električno omrežje in/ali na akumulator in pred dviganjem ali nošenjem se prepričajte, če je električno orodje izklopljeno.** Prenašanje naprave s prstom na stikalu ali priključitev vklopljenega električnega orodja na električno omrežje je lahko vzrok za nezgodo.
  - d) **Pred vkapljanjem električnega orodja odstranite nastavitvena orodja ali izvijače.** Orodje ali ključ, ki se nahaja v vrtečem se delu naprave, lahko povzroči telesne poškodbe.
  - e) **Izogibajte se nenormalni telesni drži. Poskrbite za trdno stojišče in za stalno ravnotežje.** Tako boste v nepričakovanih situacijah električno orodje lahko bolj nadzorovali.
  - f) **Nosite primerna oblačila. Ne nosite ohlapnih oblačil in nakita. Poskrbite, da se med delovanjem električnega orodja vaši lasje, oblačila in rokavice, ne bodo ujeli med premikajoče se dele.** Premikajoči se deli orodja lahko zagrabijo ohlapno oblačilo, dolge lase ali nakit.
  - g) **Če ima električno orodje predvideno namestitev enot za odsesavanje prahu ali zbiranje delcev, poskrbite, da bodo te tudi pravilno nameščene in uporabljene.** Če uporabljate enoto za zbiranje delcev, obstaja manjša nevarnost nesreč zaradi prahu.
  - h) **Upošteвайте, da boste s pogosto uporabo orodja, z njim postali zelo domači, zaradi česar bi lahko ravnali ravnodušno, ter spregledali varnostna pravila za uporabo orodja.** Nepremišljeno ravnanje lahko že v trenutku nepazljivosti, povzroči resne poškodbe.
- ## 4) Skrbna uporaba in ravnanje z električnimi orodji

- a) **Ne preobremenjujte naprave. Pri delu uporabljajte električna orodja, ki so za to delo namenjena.** Z ustreznim električnim orodjem boste v navedenem zmogljivostnem področju delali bolje in varneje.
- b) **Ne uporabljajte električnega orodja s pokvarjenim stikalom.** Električno orodje, ki se ne da več vklopiti ali izklopiti, je nevarno in ga je potrebno popraviti.
- c) **Pred vsakršnimi prilagoditvami, nastavitvami, menjavanjem priključkov ali shranjevanjem, morate električno orodje izklopiti iz napajanja ali iz njega odstraniti akumulator.** Ta previdnostni ukrep preprečuje nenameren zagon električnega orodja.
- d) **Električna orodja, ki jih ne uporabljate, shranjujte izven dosega otrok. Osebam, ki naprave ne poznajo ali niso prebrale teh navodil za uporabo, naprave ne dovolite uporabljati.** Električna orodja so nevarna, če jih uporabljajo neizkušene osebe.
- e) **Električna orodja in pripomočke redno vzdržujte. Nadzirajte brezhibno delovanje premičnih delov orodja, ki se ne smejo zatikati. Če so ti deli zlomljeni ali poškodovani do te mere, da ovirajo delovanje električnega orodja, jih je potrebno pred uporabo orodja popraviti.** Slabo vzdrževana električna orodja so vzrok za mnoge nezgode.
- f) **Rezalna orodja vzdržujte tako, da bodo vedno ostra in čista.** Skrbno negovana rezalna orodja z ostrimi robovi se manj zatikajo in so lažje vodljiva.
- g) **Električna orodja, pribor, vsadna orodja in podobno uporabljajte ustrezno tem navodilom. Pri tem upoštevajte delovne pogoje in dejavnost, ki jo boste opravljali.** Uporaba električnih orodij v namene, ki so drugačni od predpisanih, lahko privede do nevarnih situacij.
- h) **Poskrbite, da bodo ročaji in ostale prijemalne površine, vedno suhi, čisti in brez ostankov olj ali masti.** Če pride do nepredvidenih situacij, vam spolzki ročaji in prijemalne površine ne zagotavljajo varnega rokovanja in nadzora nad orodjem.
- 5) **Skrbno ravnanje in uporaba akumulatorskih orodij**
- a) **Akumulatorske baterije polnite samo v polnilnikih, ki jih priporoča proizvajalec.** Polnilnik, ki je namenjen določeni vrsti akumulatorskih baterij, se lahko vneme, če ga boste uporabljali skupaj z drugačnimi akumulatorskimi baterijami.
- b) **V električnih orodjih uporabljajte le akumulatorske baterije, ki so zanje predvidene.** Uporaba drugih akumulatorskih baterij lahko povzroči telesne poškodbe ali požar.
- c) **Akumulatorska baterija, katere ne uporabljate, ne sme priti v stik s pisarniškiimi sponkami, kovanci, želblji, vijaki in drugimi manjšimi kovinskimi predmeti, ki bi lahko povzročili premostitve kontaktov.** Kratak stik med akumulatorskimi kontakti lahko ima za posledico opekline ali požar.
- d) **V primeru napačne uporabe lahko iz akumulatorske baterije izteče tekočina. Izgibajte se kontaktu z njo. Pri naključnem kontaktu s kožo spirajte z vodo.** Če pride tekočina v oko, dodatno poiščite tudi zdravniško pomoč. Iztekajoča akumulatorska tekočina lahko povzroči draženje kože ali opekline.
- e) **Ne uporabljajte poškodovanih ali prilagojenih akumulatorskih baterij oz. orodij.** Poškodovane ali prilagojene akumulatorske baterije ali prilagojene akumulatorske baterije se lahko nepredvidljivo obnašajo, kar lahko povzroči požar, eksplozijo ali tveganje za poškodbe.
- f) **Akumulatorske baterije ali orodja ne izpostavljajte ognju previsoki temperaturi. Izpostavljenost ognju ali vročini nad 130°C lahko povzroči eksplozijo.**
- g) **Upoštevajte navodila za polnjenje in ne polnite akumulatorske baterije ali orodja pri temperaturi, ki je izven območja, navedenega v navodilih.** Če orodje polnite na nepravilen način ali pri temperaturah, ki so izven določenega območja, lahko pride do poškodb akumulatorske baterije, kar poveča tveganje za požar.
- 6) **Servisiranje**
- a) **Vaše električno orodje naj popravlja le kvalificirano strokovno osebje, ki uporablja originalne nadomestne dele.** Tako bo zagotovljena predpisana varna uporaba orodja.
- b) **Nikoli ne servisirajte poškodovanih akumulatorjev.** Poškodovane akumulatorje lahko servisira le proizvajalec ali pooblaščenih serviser.

## ROD JE VIDEL VARNOSTNO OPOZORILO

1. Želeno žago držite na zadostni razdalji od nadzemnega daljnovoda.
2. Bodite pozorni na nevarnost obratovalnega položaja, pa tudi na nevarnost padca vej ali udarcev ob tla, operater pa lahko po udaru ob tla pade podružnice ali udarne veje. Izbršite veje v vsakem odseku.
3. Za zmanjšanje tveganja, poskrbite, da bodo prisotni varno oddaljeni od delujoče naprave.
4. Med uporabo naprave ohranjajte stabilen položaj. Uporabite priloženo čelado.
5. Med delovanjem uporabljajte osebno zaščitno opremo, vključno s sluhom zaščita, zaščita za oči (vizir ali očala) in zaščita glave in oblačila.

# VARNOSTNA OPOZORILA ZA AKUMULATOR

- a) Ne razstavljajte, odpirajte ali odstranjujte celic akumulatorja.
- b) Pazite, da ne povzročite kratkega stika med kontaktoma akumulatorja. Akumulatorjev nikoli ne shranjujte v škatli ali predalu, kjer bi lahko prišlo do kratkega stika zaradi stika kontaktov s prevodnimi predmeti. Kadar akumulator ni nameščen v orodju, ga hranite proč od drugih kovinskih predmetov, kot so sponke za papir, kovanci, ključi, žebliji, vijaki ali drugi drobni kovinski predmeti, ki bi lahko omogočili stik med kontaktoma. Če pride do stika med kontaktoma akumulatorja, to lahko povzroči požar.
- c) Akumulatorja ne izpostavljajte vročini ali ognju. Poskrbite, da ne bo izpostavljen neposredni sončni svetlobi.
- d) Akumulatorja ne izpostavljajte mehanskim udarcem.
- e) Če opazite, da akumulator pušča, pazite, da tekočina ne bo prišla v stik z očmi. Če akumulatorska tekočina vseeno pride v stik z očmi, izperite prizadeto območje z obilo vode in poiščite zdravniško pomoč.
- f) Akumulator shranjujte na čistem in suhem mestu.
- g) Če se akumulator zamaže, ga takoj očistite s čisto in suho krpo.
- h) Akumulator morate pred uporabo napolniti. Pri polnjenju akumulatorja vedno upoštevajte predpisana navodila in postopke.
- i) Če akumulatorja ne polnite, ga odstranite iz polnilca.
- j) Po daljšem obdobju skladiščenja, boste za dosego maksimalne zmogljivosti akumulatorja verjetno morali slednjega nekajkrat napolniti in izprazniti.
- k) Za polnjenje uporabljajte le polnilnike, ki jih je predpisal Kress. Nikoli ne uporabljajte polnilnikov, ki niso posebej namenjeni za polnjenje vašega akumulatorja.
- l) Nikoli ne uporabljajte polnilcev, ki niso posebej zasnovani za polnjenje vašega akumulatorja.
- m) Akumulatorje shranjujte izven dosega otrok.
- n) Za podrobnosti, si oglejte gradivo, ki je bilo priloženo akumulatorju.
- o) Če orodja ne uporabljate, iz njega odstranite akumulator.
- p) Akumulatorje odlagajte skladno s predpisi.
- q) V napravi ne uporabljajte celic različnih proizvajalcev, zmogljivosti, velikosti ali tipa.
- r) Baterije držite stran od mikrovalov in visokega tlaka.
- s) Opozorilo! Ne uporabljajte neponovno polnilnih baterij.


# SIMBOLI

	Zaradi zmanjševanja nevarnosti poškodb, se temeljito seznanite z navodili za uporabo.
	Opozorilo
	Uporabljajte zaščito za ušesa
	Uporabljajte zaščito za oči
	Nosite zaščitno masko za prah
	Nosite varovalno čelado
	Nosite zaščitne rokavice
	Nosite zaščitno obutev
	Držite varnostno razdaljo od električnih vodov
	Litij-ionska baterija, ki je označena s simboli, povezanimi z "ločenim zbiranjem" vseh baterijskih vložkov in baterijskih vložkov. Nato se reciklira ali odstrani, da se zmanjša vpliv na okolje. Baterijski paketi so lahko škodljivi za okolje in zdravje ljudi, ker vsebujejo škodljive snovi.
	Prepovedano sežiganje.
	Če se z baterijo ne ravna pravilno, lahko pride v vodni krog in povzroči škodo ekosistemu. Izrabljenih baterij ne odvrzite kot nesortirane komunalne odpadke.


SHRANITE TA NAVODILA

	<p>Odpadnih električnih orodij ne smete zavreči skupaj z ostalimi gospodinjstvenimi odpadki. Dostavite jih na mesto za ločeno zbiranje odpadkov. Glede podrobnosti, se posvetujte z lokalno službo za ravnanje z odpadki.</p>
	Odkleni
	Ključavnica

## SESTAVLJANJE IN NAČIN UPORABE

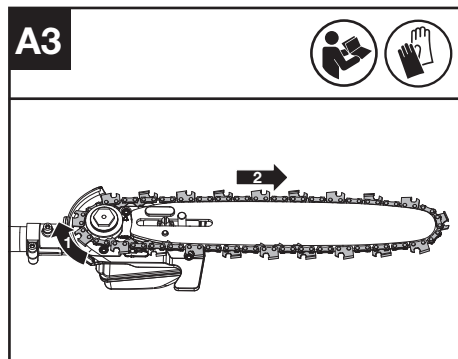
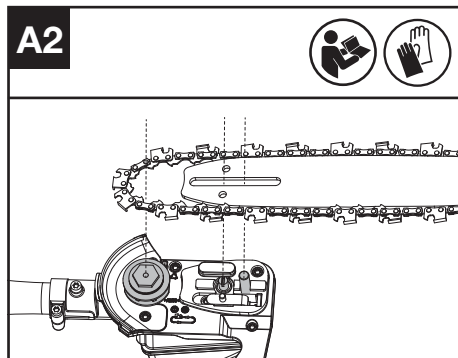
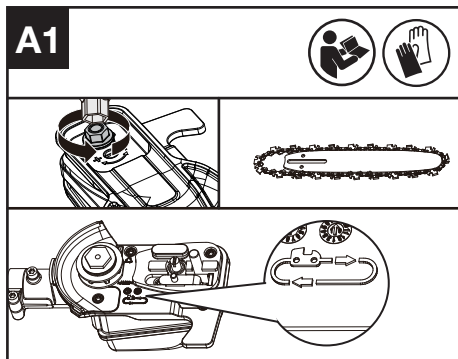
 **OPOMBA:** Preden začnete uporabljati strojček, si pozorno preberite navodila.

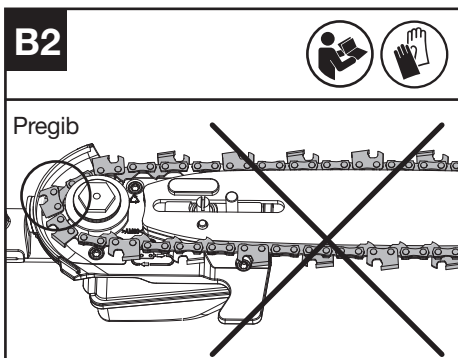
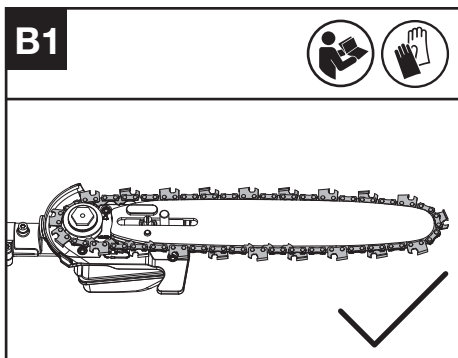
### SESTAVLJANJE

 **Pozor!** Akumulatorja ne vstavljajte v ležišče dokler ni popolnoma sestavljen. Pri rokovanju z rezalno verigo morate vedno nositi zaščitne rokavice.

### SESTAVLJANJE VERIGE IN MEČA

1. Odvijte šeststrobo matico, da odstranite pokrov pogona. Verigo potisnite v režo okoli meča. Prepričajte se, da je veriga nameščena v pravilni smeri vrtenja. (glej sliko A1)
2. Namestite verigo na pogonski verižnik, tako da se vijak za pritrditev meča prilega utoru odprtine na meču. (glej sliki A2, A3)
3. Prepričajte se, da so vsi deli pravilno nameščeni. Prepričajte se, da so pogonski členi do konca vstavljeni v pogonski verižnik (glej sliko B1), da se izognete zatikanju, kot je prikazano na sliki B2. Če pride do zatikanja, dvignite verigo na meču tik pred zatikanjem in nato izvlecite pregib. **OPOMBA:** Veriga se mora prosto vrteti, vendar je za vrtenje potrebna določena stopnja sile.
4. Namestite pokrov pogona in zategnite šeststrobo matico.

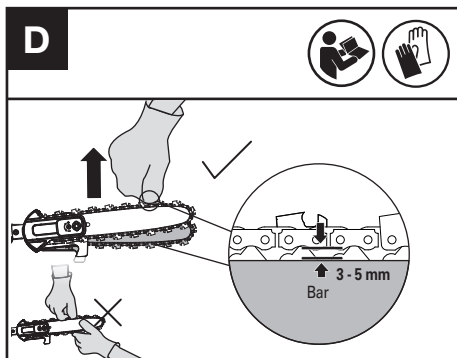
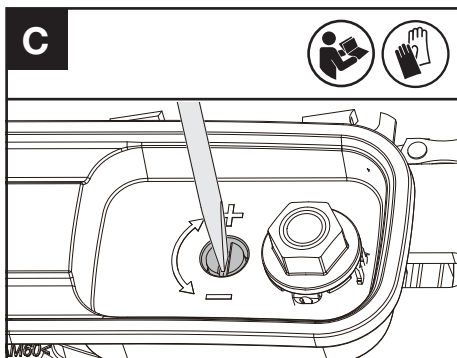




3. Preverite napetost, ki ste jo nastavili z vijakom za napenjanje verige. Pravilno napetost verige dosežete, ko verigo lahko dvignete za približno polovico globine pogonskega člena meča na sredini. To storite tako, da z rokavico dvignete verigo proti teži stroja. (glej sliko D) Nato do konca zategnite šestrobo matico.

**OPOMBA:** Veriga je pravilno napeta, ko jo je mogoče dvigniti iz meča in ko je pogonski člen znotraj tirnice meča.

**OPOMBA:** Veriga se bo med rezanjem zrahljala in izgubila pravilno napetost. Ko se veriga zrahlja, odvijte šestrobo matico, znova zategnite vijak za napenjanje verige, nato pa znova zategnite šestrobo matico, da pravilno ponastavite napetost verige po korakih od 1 do 3, kakor je navedeno zgoraj.



**⚠ POZOR:** Veriga še ni napeta. Podrobnosti glede napenjanja verige, si oglejte v poglavju "Napenjanje verige". Preveriti morate, če je veriga pravilno napeta.

### NAPENJANJE VERIGE (glej slike C, D)

**OPOMBA:** Nove verige žage se pri prvi uporabi poležejo na meč. Pri prvi uporabi pogosto preverjajte napetost verige in jo zategnite, ko se veriga okoli meča zrahlja.

- Pred prilagajanjem napetosti verige žage odstranite baterijski sklop.
- Rezanjski robovi na verigi so ostri. Pri rokovanju z verigo uporabljajte zaščitne rokavice.
- Vedno ohranjajte pravilno napetost verige. Zrahljana veriga lahko izskoči iz utora meča. To lahko poškoduje upravljalca in verigo. Zaradi zrahljane verige se bodo veriga, meč in verižnik hitro obrabili.

1. Žago na palici postavite na primerno ravno površino in odvijte šestrobo matico.
2. Vijak za napenjanje verige obrnite v smeri urinega kazalca, dokler ni napet. (glej sliko C)  
**OPOMBA:** Napetost se samodejno povečuje, medtem ko se vijak za napenjanje verige obrača v smeri urinega kazalca. Nato trdno zategnite šestrobo matico.

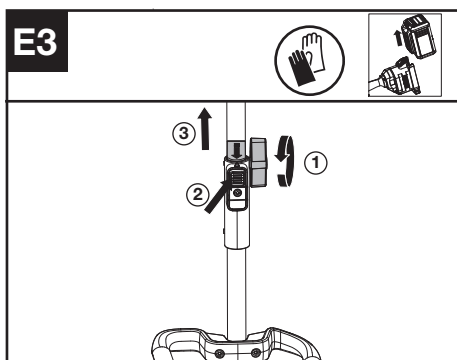
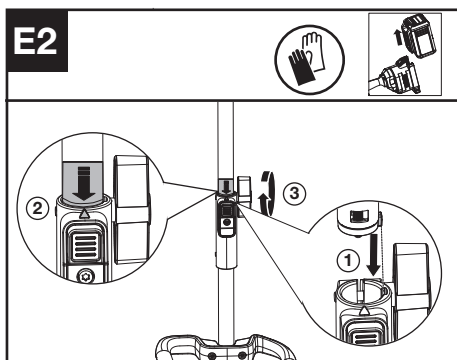
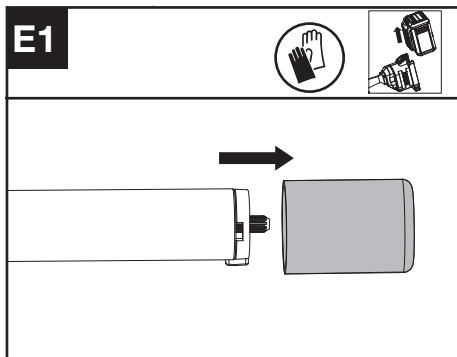
### Sestavljanje in razstavljanje pogonske glave (glej slike E1, E2, E3)

1. Odstranite pokrovno kapico s konca priključne gredi.
2. Za sestavljanje poravnajte ikono trikotnika na vijaku z oznako puščice na priključni gredi.
3. Gredi potisnite skupaj dokler ne zaslišite »klika«. Rob oznake s puščico mora biti blizu ohišja priključka gredi. (Opomba: Če delovne glave žage na palici ni mogoče popolnoma namestiti v pogonske glave, nekoliko zavrtite delovno glavo



žage na palici, dokler ni možno do konca vstaviti gredi.)

4. Sestavljanje končajte tako, da zategnete vijak v smeri urnega kazalca.
5. Za razstavljanje sprostite vijak, ga obrnite v nasprotni smeri urnega kazalca, nato pritisnite gumb za sprostitev in povlecite gredi narazen. Pokrivalno kapico namestite nazaj na priključno gred, da zagotovite, da prah in smeti ne zaidejo v gred.



Informacije o montaži in razstavljanju za podaljšek gredi, se nanašajo na slike E1, E2 in E3.

## MAZANJE (GLEJ SLIKO F)

**!** **POMEMBNO:** Žaga na palici ni napolnjena z oljem za meč in verigo. Pred uporabo jo obvezno napolnite z oljem za meč in verigo. Žage na palici nikoli ne uporabljajte brez olja za meč in verigo in ne pustite, da se rezervoar za olje izprazni, saj bo to povzročilo veliko škodo na izdelku.

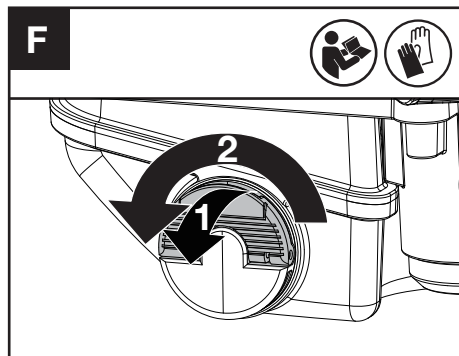
**OPOMBA:** Življenjska doba verige in zmogljivost rezanja sta odvisni od optimalnega mazanja. Zato se veriga med delovanjem samodejno maže.

### POLNJENJE REZERVOARJA ZA OLJE:

**!** **OPOZORILO:** Pred polnjenjem rezervoarja za olje odstranite baterijski sklop.

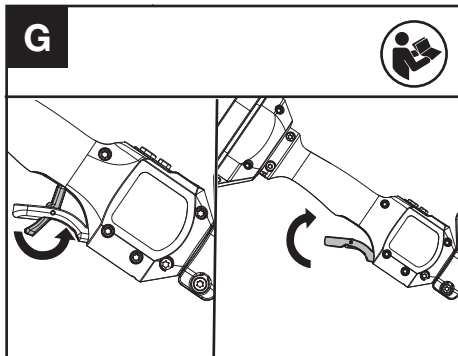
1. Žago na palici postavite na katero koli primerno površino tako, da je pokrovček odprtine za polnjenje olja obrnjen navzgor.
2. S krpo očistite območje okrog pokrovčka odprtine za polnjenje olja in odvijte pokrovček tako, da ga zavrtite v nasprotni smeri urnega kazalca.
3. Dodajte olje za meč in verigo, dokler ni rezervoar popolnoma poln.
4. Preprečite, da bi umazanija ali drobcji vstopili v rezervoar za olje, ponovno namestite pokrovček odprtine za polnjenje olja in ga privijte z obračanjem v smeri urnega kazalca, dokler ga ne zategnete z roko.

**!** Pomembno je, da uporabljate mazivo za meč in verigo (ne avtomobilsko olje), ki je izdelano za delovanje v širokem temperaturnem območju brez redčenja. To lahko najdete na mestu, kjer ste kupili to žago ali v lokalni železnini. Ne uporabljajte umazanih, rabljenih ali kako drugače onesnaženih olj. S tem se poškodujeta meč ali veriga. Uporaba neodobrenega olja za meč in verigo bo razveljavila garancijo. Olje za meč držite izven dosega otrok. Če pride do zaužitja, takoj pokličite zdravnika. Hraniti ločeno od vročine in odprtega ognja.



# DELOVANJE

## Zagon žage na palici



1. Potisnite vzvod za odklep varnostne ročice naprej, nato pa stisnite in držite sprožilec plina, da zaženete napravo.

**OPOMBA:** Več podrobnosti najdete v priročniku za glavo za napajanje.

## REZANJE

**!** **POMEMBNO:** Redno preverjajte rezervoar za olje. Vsakič ko zamenjate baterijski sklop, preverite napetost nedavno zamenjane verige.

- (1) Nameščanje popolnoma napoljenega baterijskega sklopa v stroj.
- (2) Ne dovolite, da se veriga med delovanjem dotakne tal, saj se bo sicer otopila.
- (3) Žago primite z obema rokama.
- (4) Prepričajte se, da imate trdo stojišče. Nogi razmaknite v širini ramen. Težo enakomerno porazdelite na obe nogi.
- (5) Ko ste pripravljeni na rez, sledite zgoraj navedenim postopkom za zagon in izbiro hitrosti. To bo vklopilo žago. Ko sprostite sprožilec, se bo žaga izklopila. Pred začetkom reza se prepričajte, da žaga deluje pri polni hitrosti.
- (6) Ko začnete rezati, počasi postavite premikajočo se verigo ob les. Les naj bo čim bližje rezalni glavi. Žago držite trdno na mestu, da preprečite morebitno odbijanje ali drsenje žage (bočno premikanje).
- (7) Žago vodite z rahlim pritiskom in ne pritiskajte nanjo s prevelikim pritiskom. Motor se bo preobremenil in lahko pregori. Delo bo opravil bolje in varneje pri hitrosti, za katero je bil zasnovan.
- (8) Žago umaknite iz reza pri polni hitrosti delovanja. Ustavite žago. Preden odložite žago, se prepričajte, da se je veriga ustavila.
- (9) Vadite na odpadnih hlodih na varnem delovnem območju, dokler se ne počutite udobno ob uporabi tekočega gibanja in enakomerne hitrosti rezanja.

## NAPRAVA ZA PREPREČEVANJE

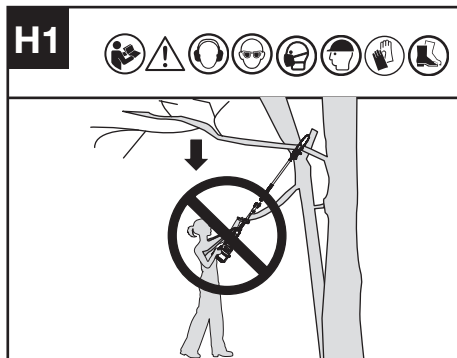
## NEVARNOSTI KICKBACK NA TEJ ŽAGI

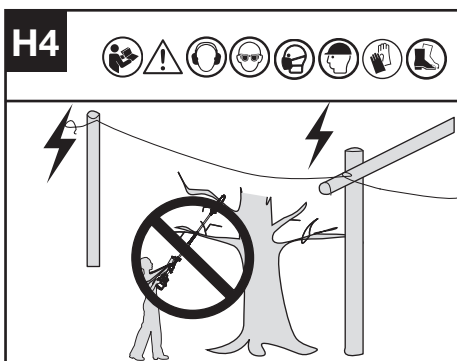
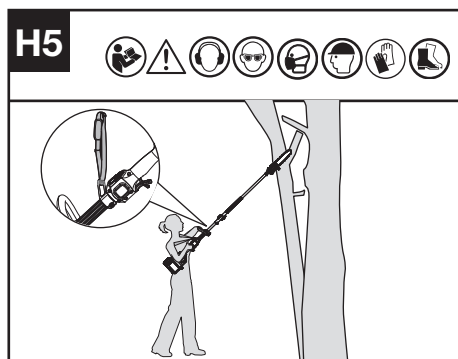
Ta žaga ima verigo z nizkim odbojem in vodilo z zmanjšanim odbojem. Obe sestavini zmanjšujeta možnost odboja. Kljub temu se lahko pri tej vrtni žagi še vedno zgodi odboj. Naslednji koraki bodo zmanjšali tveganje za odboj:

- Ko žaga deluje, jo držite z obema rokama. Čvrsto jo držite.
- Na žagi imejte vsa varnostna sredstva na mestu. Prepričajte se, da delujejo pravilno.
- Podlaga stojišča mora biti trdna in ohranajte ravnovesje.
- Postavite se rahlo na levo stran žage. Tako vaše telo ne bo v neposredni liniji z žago.
- Ko se veriga premika, ne dovolite, da se konica meča dotika česarkoli.
- Konice meča ne zapičite in ne poskušajte poglobiti reza (vrtanje v les s konico meča).
- Opazujte premikanje lesa ali druge sile, ki lahko stisnejo verigo.
- Pri ponovnem vstopu v predhodni rez bodite izredno previdni.
- Uporabljajte samo verigo z nizkim povratnim udarcem in meč, ki sta bila priložena tej žagi na palici ali priporočena.
- Nikoli ne uporabljajte otopele ali zrahljane verige. Verigo ohranjajte ostro s pravilno napetostjo.

## REZANJE VISOKIH VEJ

1. Baterijski sklop vstavite v stroj.
2. Pred rezanjem visoke veje bodite izjemno pozorni na verjetno smer padca veje.  
**OPOZORILO:** Ne stojte neposredno pod vejo, ki jo režete. Ohranite varno razdaljo od mimoidočih. Med uporabo orodja ne stojte na lestvi ali drugi nestabilni podpori. Orodja ne uporabljajte blizu kablov, električnih ali telefonskih vodov. Ohranite razdaljo 10 čevljev (3 m) od vseh električnih vodov. (Glej slike H1–H4)





3. Žago na palici primite z obema rokama in režite veje.

### ŽAGANJE DREVES (OBREZOVANJE)

**OPOZORILO:** Preprečite povratni udarec. Povratni udarec lahko povzroči resne poškodbe ali smrt.

Za podrobnosti, glejte poglavje Povratni udarec.

**OPOZORILO:** Ne uporabljajte žage na palici, ko ste

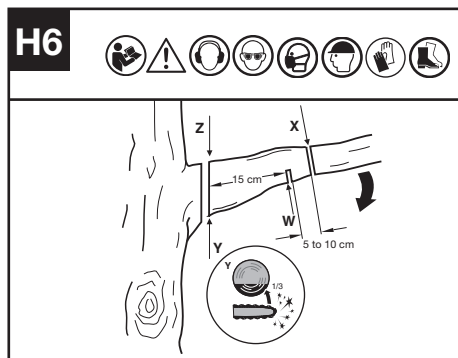
- na drevesu
- na lestvi ali na kateri koli nestabilni podlagi
- v kakršnem koli nerodnem položaju.

Lahko izgubite nadzor nad žago na palici, kar lahko povzroči hude telesne poškodbe.

**POZOR:** Če ne obvladate okoliščin dela, se posvetujte s strokovnjakom.

Obrezovanje drevesa pomeni, da žagate veje na stoječemu drevesu. Poskrbite, da boste stali na trdni podlagi. S stopali stojte v širini ramen. Težo enakomerno razporedite na obe stopali.

1. Prvi rez naredite nekaj centimetrov (c) stran od drevesnega debla na spodnji strani veje. Ta rez naredite s konico meča. Zarežite 1/3 premera veje (glej sliko H6).



2. Premaknite se nekaj centimetrov (30 % od c) višje po veji. Drugi rez naredite z zgornjega dela veje. Nadaljujte z rezom, dokler ne odrežete veje.
3. Tretji rez naredite čim bližje drevesnemu deblu, po možnosti popolnoma prerežite preostali štrclj. Uporabite spodnji del vodilne palice za izdelavo tega reza.

## Za akumulatorska orodja

Priporočeni razpon temperature okolja za praznjenje je -20 °C~45 °C.

Priporočeno območje temperature okolice pri polnjenju je -5 °C~45 °C.

## TRANSPORT

### Prenašanje žage na palici

1. Izklopite žago na palici in odstranite baterijo.
2. Ko žago na palici prenašate ročno, držite palico žage na palici tako, da je stroj vzporeden s tlemi, meč pa je obrnjen nazaj.
3. Ko prevažate žago na palici v vozilu, jo zavarujte in postavite tako, da se ne bo premikala ali poškodovala.

## VZDRŽEVANJE ŽAGE

Sledite navodilom za vzdrževanje v tem priročniku. Pravilno čiščenje in vzdrževanje žage, verige in meča lahko zmanjšata možnost obrabe. Žago pregledajte in vzdržujte po vsaki uporabi. To bo podaljšalo življenjsko dobo vaše žage. Če je žaga med delovanjem izpostavljena dežju, je treba stroj in baterijski sklop pred shranjevanjem ali polnjenjem osušiti.

## VZDRŽEVANJE IN SHRANJEVANJE ŽAGE NA PALICI

1. **Odstranite baterijski sklop**
  - ko ni v uporabi
  - pred premikanjem z enega mesta na drugo
  - pred servisiranjem
  - pred zamenjavo dodatnih delov ali priključkov, kot sta veriga žage in meč
2. **Žago na palici pregledajte pred in po vsaki uporabi.** Natančno pregledajte žago, če so meč ali drugi deli poškodovani. Preverite morebitno poškodbo, ki bi lahko vplivala na varnost upravljalca ali delovanje žage. Preverite poravnavo ali povezavo premikajočih se delov. Preverite glede zlomljenih ali poškodovanih delov. Žage na palici ne uporabljajte, če poškodba vpliva na varnost ali delovanje. Poškodbo popravite v gooblaščenem servisnem centru.
3. **Žago na palici skrbno vzdržujte.**
  - Za boljše in varnejše delovanje, ohranjanje verigo ostro, čisto in podmazano.
  - Za brušenje verige sledite korakom, opisanim v tem priročniku.
  - Ročaje ohranjanje suhe, čiste in brez olja ali maščobe.
  - Poskrbite, da so vsi vijaki in matice priviti.
4. **Pri servisiranju uporabljajte samo enake nadomestne dele.**
5. **Ko ni v uporabi, žago na palici vedno**

### shranjajte

- na visokem in zaklenjenem mestu, izven dosega otrok
- na suhem mestu
- z nameščenim ščitnikom za meč

## VZDRŽEVANJE VODILNE LETVE

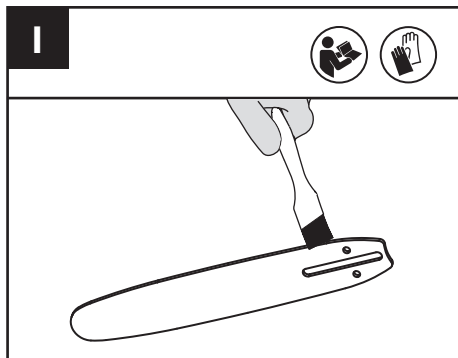
Za zagotovitev maksimalne življenjske dobe vodilne letve, priporočamo, da jo vzdržujete na naslednji način. Žleb vodilne letve morate pred shranjevanjem orodja ali kadar se zamaže, temeljito očistiti.

Žleb vodilne letve morate očistiti tudi po vsakem odstranjevanju verige.

Morda bo potrebno občasno posneti tirnice meča s ploščato pilo.

### ČIŠČENJE ŽLEBU VODILNE LETVE

1. Odstranite pokrov verige ter meč in verigo. (glejte razdelek SESTAVLJANJE)
2. Z žičnato ščetko, izvijačem ali podobnim orodjem, očistite obloge iz žlebu vodilne letve. (glejte sliko 1)
3. Poskrbite za čistočo kanala za dovajanje olja.



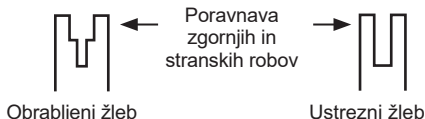
## POGOJI, KI ZAHTEVAJO VZDRŽEVANJE VERIGE IN MEČA:

- Žaga reže na eno stran ali pod kotom.
- Žago je treba potisniti skozi rez.
- Neustrezno dovajanje olja na meč ali verigo.

Stanje vodilne letve preverjajte po vsakem ostrenju verige. Obrabljen vodilna letev lahko poškoduje verigo in oteži žaganje.

Po vsaki uporabi, z odklopljenim virom napajanja, očistite nečistoče iz žleba in luknje verižnika.

Če je zgornji del deformiran, ga zgledite s ploščato pilo in poravnajte robove.



Če je žleb obrabljen, ukrivljen ali razpokan, oziroma deformiran zaradi pregrevanja, ga zamenjajte z novim. V primeru zamenjave uporabite samo vodilno palico, ki

je navedena za vašo žago na seznamu rezervnih delov ali na nalepki, ki je nameščena na motorni žagi.

## ZAMENJAVA VERIGE ŽAGE IN VODILNE LETVE

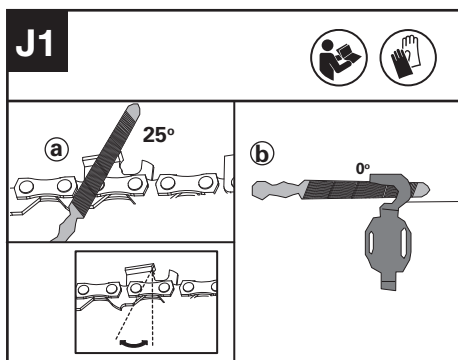
Če opazite, da so rezalni zobje verige preveč obrabljeni za ostrenje ali se slednja pretrga, jo zamenjajte z novo. Uporabljajte le nadomestne rezalne verige, ki so navedene v tem priročniku. Pred ostrenjem rezalne verige preverite stanje letve. Obrabljena ali poškodovana letev ni varna. Obrabljena ali poškodovana letev ni varna in bo povzročila poškodbe na rezalni verigi, hkrati pa bo žaganje oteženo.

### OSTRENJE REZALNE VERIGE

**!** **OPOZORILO:** Pred servisiranjem odstranite akumulator iz ležišča. V primeru stika z verigo, lahko pride do resnih poškodb ali smrti.

Rezalni robovi verige so ostri. Pri rokovanju z rezalno verigo imejte na rokah zaščitne rokavice. Poskrbite, da bo rezalna veriga vedno ostra. Na ta način bo vaša žaga delala hitreje in bolj varno. Če je rezalna veriga topa, se bodo verižnik, letev rezalna veriga in motor hitreje obrabljali. Če začutite, da med žaganjem morate žago s silo potiskati v obdelovanec, pri žaganju pa nastaja droben prah z le nekaj večjimi ostružki, to pomeni, da je rezalna veriga topa.

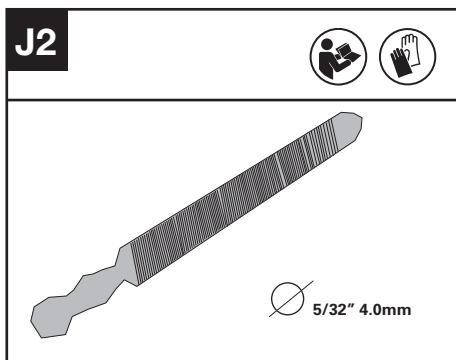
Pred ostrenjem bodite pozorni na naslednje korake: (Glejte sliko J1)



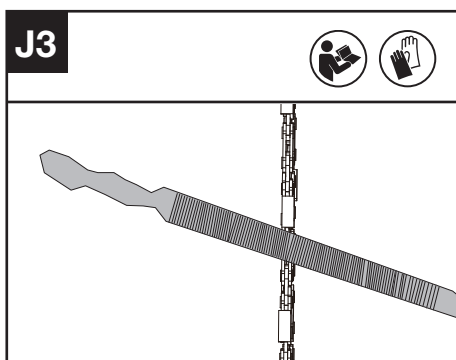
a: Kot piljenja; b: položaj pile.

### Kako nabrusiti rezila

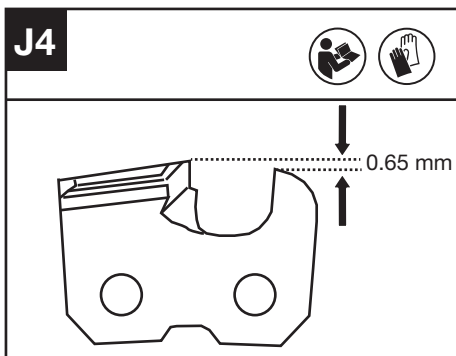
1. Pripravite okroglo pilo za ostrenje rezila. (Glej sliko J2). Opomba: Preden nabrusite verigo, meč trdno vpnite v primež. Prepričajte se, da veriga ni "priščipnjena" in se lahko prosto premika po meču. Preverite, ali je veriga pravilno napeta. (Glejte razdelek "Napenjanje verige")



2. Rezila brusite s pilo od notranje strani rezalnih zob proti zunanji strani verige. (Glej sliko J3).



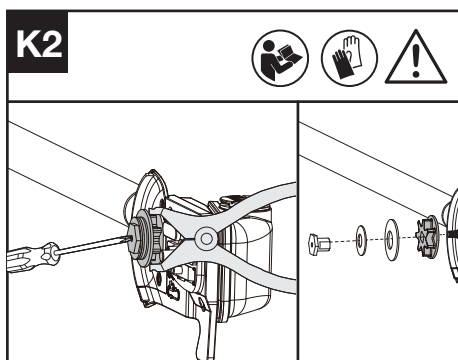
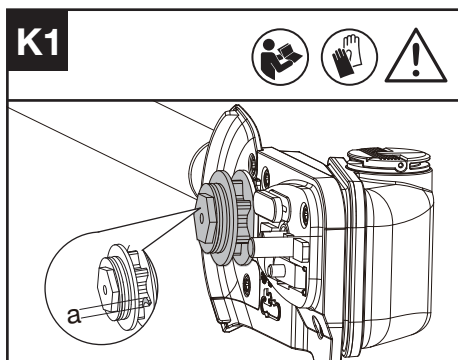
3. Vsa rezila naostrite s pilo na eni strani meča.
4. Obrnite verižno žago in naostrite s pilo vsa rezila na nasprotni strani.
5. Prepričajte se, da je dolžina vseh rezalnih zob enaka. Da zagotovite učinkovito, varno in gladko rezanje, nastavite višino omejevalnika globine za ostrenje na 0,65 mm. Prepričajte se, da je sprednji rob omejevalnika globine zaobljen. (Glej sliko J4)



## PREGLED IN VZDRŽEVANJE ZOBNIKA VERIGE

**!** OPOZORILO: Pred pregledom obvezno izklopite žago na palici in odstranite baterijo.

1. Odstranite pokrov pogonskega verižnika, verigo žage in meč.
2. Preverite ali so sledi obrabe globlje od  $a = 0,5$  mm, kot je prikazano na sliki K1. Če je tako, je treba zobnik verige zamenjati. (Glej sliko K1)
3. Pri zamenjavi zobnika verige nadzorujte zobnik s kleščami in z izvijačem sprostite matico in jo zamenjajte. (Glej sliko K2)



## ČIŠČENJE

1. Izklopite žago na palici in odstranite baterijo.
2. Ne uporabljajte agresivnih čistilnih sredstev ali topil. Napravo po uporabi očistite z vlažno krpo, namočeno v blago čistilno sredstvo.
3. Poskrbite, da na priključku baterije ne bo umazanije in ostankov, ter ga očistite z mehko in suho krtačo ali krpo.
4. Ne pršite vode na motor in električne komponente.
5. Za čiščenje naprave ne uporabljajte visokotlačnega čistilnika.

## SHRANJEVANJE

1. Pred shranjevanjem iz žage na palici odstranite baterijski sklop.
2. Žago na palici in baterijo hranite na suhem in varnem mestu, ki je nedostopno otrokom in drugim nepooblaščenim osebam.
3. Ko se med delovanjem zmočita zaradi dežja, je treba stroj in baterijo pred shranjevanjem ali polnjenjem posušiti. Odstranite baterijo in jo znova vstavite, če se stroj ne vklopi.

# ODPRAVLJANJE NAPAK

Če električno orodje ne deluje povsem brezhibno, so v naslednji tabeli prikazani simptomi napak, možni vzroki ter ukrepi za odstranitev napake. Če problema kljub temu ne morete identificirati in odstraniti, se prosimo obrnite na vašo servisno delavnico.



**POZOR:** Pred iskanjem napake izklopite električno orodje in iz njega od stranite akumulatorsko baterijo.

Simptom	Možen vzrok	Pomoč
Tračne žage ni mogoče upravljati	Prazna baterija	Napolnite akumulator
Rod žaga prekinitve delovanja	Pregrevanje	Napravo postavite v hladen, dobro prezračevan prostor, da se ohladi.
	Premočno pritiskate na obdelovanec.	Malce manj močno pritiskajte na obdelovanec.
	Slaba povezava	Posvetujte se s serviserjem
	Okvara napeljave	
	Sprožilac za vklop/izklop je okvarjen.	
Žaga verige je suha.	V oljnem rezervoarju ni olja	Dolijte olje
	Prezračevalna reža v pokrovčku odprtine za polnjenje olja je zamašena	Očistite pokrovček
	Izpustni kanal olja je zamašen	Očistite izpustni kanal olja
Vroča veriga žage/ vodilna tirnica.	V oljnem rezervoarju ni olja	Dolijte olje
	Prezračevalna reža v pokrovčku odprtine za polnjenje olja je zamašena	Očistite pokrovček
	Izpustni kanal olja je zamašen	Očistite izpustni kanal olja
	Veriga je preveč napeta	Nastavite napenjalni vijak
	Topa veriga žage.	Pobrusite verigo žage ali jo nadomestite.
Ekstremno trganje, vibracije, žaga ni pravilno	Prenizka napetost verige	Nastavite napenjalni vijak
	Topa veriga žage.	Pobrusite verigo žage ali jo nadomestite
	Obrabljena veriga žage	Nadomestite verigo žage.
	Zobje žage kažejo v napačno smer	Pravilno montirajte verigo žage

SL

## TEHNIČNI PODATKI

	KAC361
Dolžina letve	25 cm
Hitrost verige	Visoka: 17 m/s Nizka: 13 m/s
Polnilna količina oljnega rezervoarja	160 ml
Korak verige	3/8" LP
Širina vodila verige	1.1 mm
Stopnja zaščite	IPX4
Teža stroja	1.8 kg

## KOMBINACIJE REZALNIH NASTAVKOV

### Rezalni nastavek

KAC333-10"/25cm 0.043"/1.1mm 3/8 LP Letev

KAC302-10"/25cm 0.043"/1.1mm 3/8 LP Veriga

KAC335-12"/30cm 0.043"/1.1mm 3/8 LP Letev

KAC304-12"/30cm 0.043"/1.1mm 3/8 LP Veriga

## INFORMACIJE S PODALJŠANIM VALJEM (KAC360)

### PODATKI O HRUPU

Vrednotena raven zvočnega tlaka  $L_{pA} = 79$  dB(A)  
 $K_{pA} = 3,0$  dB(A)

Vrednotena raven zvočne moči  $L_{wA} = 94.1$  dB(A)  
 $K_{wA} = 1,1$  dB(A)

Uporabljajte zaščito za ušesa.



### PODATKI OVIBRACIJAH

Skupne vrednosti oscilacij (vektorski seštevek treh smeri), skladno z EN ISO 11680-1.

Vrednost emisije vibracij	$a_n = 1,3$ m/s <sup>2</sup>
	Nezanesljivost meritve $K = 1,5$ m/s <sup>2</sup>

## INFORMACIJE BREZ PODALJŠANE GREDI.

### PODATKI O HRUPU

Vrednotena raven zvočnega tlaka  $L_{pA} = 82$  dB(A)  
 $K_{pA} = 3.0$  dB(A)

Vrednotena raven zvočne moči  $L_{wA} = 93$  dB(A)  
 $K_{wA} = 1,5$  dB(A)

Uporabljajte zaščito za ušesa.



### PODATKI OVIBRACIJAH

Skupne vrednosti oscilacij (vektorski seštevek treh smeri), skladno z EN ISO 11680-1.

Vrednost emisije vibracij	$a_n = 1,87$ m/s <sup>2</sup>
	Nezanesljivost meritve $K = 1,5$ m/s <sup>2</sup>

Deklarirano vrednost emisije vibracij lahko uporabite za primerjavo med strojčki, hkrati pa s pomočjo nje predvidite pričakovano raven izpostavljenosti.

**!** **OPOZORILO:** Dejanska vrednost emisij vibracij med uporabo strojčka, se lahko razlikuje od navedene, kajti nanjo vpliva tudi način uporabe strojčka, predvsem naslednje okoliščine: Način uporabe orodja in materiali, ki jih lahko obdelujete.

Ali je orodje v dobrem stanju in ustrezno vzdrževano. Ali uporabljate ustrezni pripomoček za orodje in je ta oster ter v brezhibnem stanju. Čvrstost prijema ročajev in morebitna uporaba dodatkov za zmanjševanje vibracij. Uporaba orodja za predviden namen, skladen s temi navodili.

Če orodja ne uporabljate pravilno, lahko povzroči vibracijski sindrom zapestja in rok.

**!** **OPOZORILO:** Če želimo resnično natančno oceniti raven izpostavljenosti v dejanskih okoliščinah, moramo upoštevati tudi vse faze delovnega procesa, tudi število vklopov in izklopov strojčka ter čas, ko deluje v prostem teku in neobremenjeno. To lahko znatno zmanjša raven izpostavljenosti tekom celotnega delovnega procesa.

Pomoč pri zmanjševanju tveganja pri izpostavljenosti vibracijam.


**VEDNO** uporabljajte le ostre pripomočke. Orodje vzdržujte skladno s temi navodili in poskrbite, da bo dobro namazano (kjer je potrebno).

Če boste strojček uporabljali redno, potem investirajte v dodatke za zmanjševanje vibracij.



Delo si organizirajte tako, da boste opravila z visoko ravnjo vibracij izvajali v več fazah, tekom nekaj dni.

## VAROVANJE OKOLJA

 Odpadnih električnih naprav ne smete zavreči skupaj z ostalimi gospodinjstskimi odpadki. Dostavite jih na mesto za ločeno zbiranje odpadkov. Glede podrobnosti, se posvetujte z lokalno službo za ravnanje z odpadki.

## IZJAVA O SKLADNOSTI

MI,  
Positec Germany GmbH  
Postfach 680194, 50704 Cologne, Germany

V imenu družbe Positec izjavljamo, da je izdelek  
**Opis izdelka:** Akumulatorska žaga na palici  
**Vrsta izdelka:** KAC361 (361 - oznaka stroja, predstavnik žage na palici)  
**Funkcija:** Rezanje visokih vej

skladen z naslednjimi direktivami,  
**2006/42/EC, 2014/30/EU, 2011/65/EU & (EU)2015/863, 2000/14/EC spremenjena z 2005/88/EC**

Pristojni priglasitveni organ  
Ime: Intertek Deutschland GmbH (pristojni priglasitveni organ 0905)  
Naslov: Stangenstraße 1, 70771 LEINFELDEN-ECHTERDINGEN  
Št. certifikata: 24SHW0160

**Informacije s podaljšanim valjem (KAC360)**  
2000/14/EC spremenjena z 2005/88/EC:  
- Postopek za ugotavljanje skladnosti, glede na Dodatek V  
- Izmerjena raven zvočne moči 94 dB(A)  
- Deklarirana raven zvočne moči 96 dB(A)

**Informacije brez podaljšane gredi**  
2000/14/EC spremenjena z 2005/88/EC:  
- Postopek za ugotavljanje skladnosti, glede na Dodatek V  
- Izmerjena raven zvočne moči 93 dB(A)  
- Deklarirana raven zvočne moči 95 dB(A)

in izpolnjuje naslednje standarde,  
**EN 62841-1, EN ISO 11680-1, EN ISO 3744, EN IEC 55014-1, EN IEC 55014-2, EN IEC 63000**

Oseba, ki je pooblaščenca za skladnost tehnične dokumentacije,  
**Ime: Marcel Filz**  
**Naslov: Positec Germany GmbH**  
**Postfach 680194, 50704 Cologne, Germany**



2024/01/26  
Allen Ding  
Namestnik glavnega inženirja za testiranje in certificiranje  
Positec Technology (China) Co., Ltd.  
18, Dongwang Road, Suzhou Industrial Park, Jiangsu 215123, P. R. China

SL

# SADRŽAJ

Uvod.....	218
Popis komponenti.....	219
Sigurnost proizvoda.....	220
Skupina i operacija.....	223
Podmazivanje.....	225
Upotreba.....	226
Prijevoz.....	228
Održavanje Pile.....	228
Čišćenje.....	230
Skladištenje.....	230
HR Otklanjanje poteškoća.....	231
Tehnički podaci.....	232
Izjava o sukladnosti.....	233

## UVOD

Poštovani,

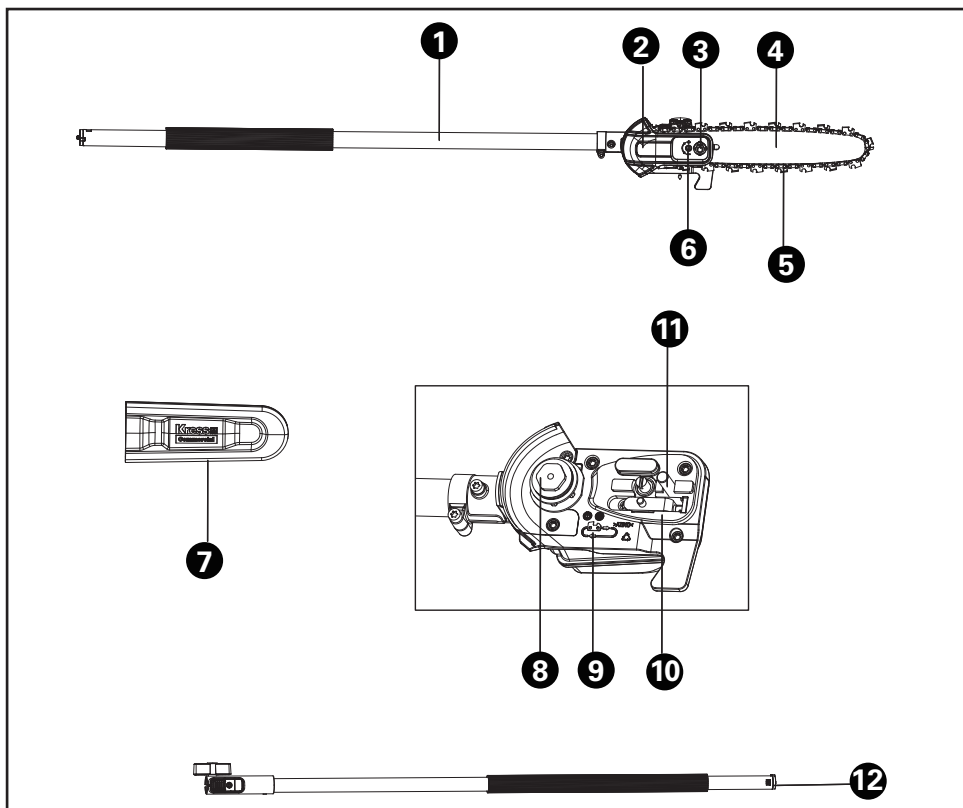
Zahvaljujemo što ste kupili ovaj Kress Commercial proizvod. Posvećeni smo razvoju proizvoda visoke kvalitete kako bismo zadovoljili vaše zahtjeve za komercijalnim uređenjem okoliša.

Brend Kress je sinonim za vrhunsku kvalitetu usluge. Tijekom godina životnog vijeka vašeg proizvoda, ako imate bilo kakvih pitanja ili nedoumica o svom proizvodu, obratite se svom prodavaču ili našem timu za korisničku podršku za pomoć.

Uvjereni smo da ćete godinama uživati u radu sa svojim Kress proizvodom.

## NAMJENA

U kombinaciji s KAC104 – pogonska glava, ova štapna pila osmišljena je za podrezivanje i obrezivanje grana izvan dohvata ruke. Svi rezovi trebaju biti poprečni. Ovaj je proizvod namijenjen samo za rezanje drva.



## POPIS KOMPONENTI

- |     |                               |
|-----|-------------------------------|
| 1.  | VRATILO                       |
| 2.  | POKLOPAC POGONA               |
| 3.  | ŠESTEROKUTNA MATICA           |
| 4.  | VODILICA                      |
| 5.  | LANAC                         |
| 6.  | VIJAK ZA ZATEZANJE LANCA      |
| 7.  | ZAŠTITNE KORICE               |
| 8.  | POGONSKI LANČANIK             |
| 9.  | SIMBOL SMJERA LANCA           |
| 10. | JASTUČIĆ ŠIPKE                |
| 11. | KLINOVI ZA POSTAVLJANJE ŠIPKE |
| 12. | PRODUŽNA OSOVINA *            |

\* Standardna isporuka ne obuhvaća sav ilustriran ili opisan pribor.

# ORIGINALNE UPUTE ZA RAD SIGURNOST PROIZVODA UOBIČAJENA SIGURNOSNA UPOZORENJA ZA ELEKTRIČNE ALATE



**UPOZORENJE** Pročitajte sva sigurnosna upozorenja, upute, ilustracije i specifikacije koje se isporučuju s ovim električnim alatom.

*Nepoštivanje dolje navedenih uputa može uzrokovati električni udar, požar i/ili ozbiljne ozljede.*

Sačuvajte sve napomene o sigurnosti i upute za buduću primjenu.

*Pojam „električni alat“ u upozorenjima odnosi se na električne alata s priključkom na električnu mrežu (s mrežnim kabeleom) i električne alate s napajanjem na akumulatorsku bateriju (bez mrežnog kabela).*

## 1) Sigurnost na radnom mjestu

- a) **Održavajte radno mjesto čistim i dobro osvijetljenim.** Nered ili neosvijetljeno radno mjesto mogu uzrokovati nezgode.
- b) **Ne radite s električnim alatima u eksplozivnim atmosferama, primjerice onima u kojima ima zapaljivih tekućina, plinova ili prašine.** Električni alati proizvode iskre koje mogu zapaliti prašinu ili pare.
- c) **Tijekom upotrebe električnog alata djecu i druge osobe držite podalje od mjesta rada.** Svako odvratanje pozornosti može uzrokovati gubitak kontrole nad uređajem.

## 2) Električna sigurnost

- a) **Priključni utikač električnog alata mora odgovarati utičnici. Sve su preinake utikača zabranjene. Nemojte upotrebljavati adapterske utikače zajedno sa zaštitno uzemljenim električnim alatima.** Utikač na kojem nisu vršene preinake i odgovarajuća utičnica smanjuju opasnost od strujnog udara.
- b) **Izbjegavajte dodir tijela s uzemljenim površinama kao što su cijevi, radijatori, štednjaci i hladnjaci.** Opasnost od električnog udara je veća ako je vaše tijelo uzemljeno.
- c) **Ne koristite stroj po kiši ili vlažnim uvjetima. To može povećati rizik od električnog udara.** Nakon što se smočite na kiši tijekom rada, stroj i bateriju treba osušiti prije pohranjivanja ili punjenja. Izvadite bateriju i ponovno je umetnite ako se stroj ne uspije uključiti. Očistite priključak baterije od prljavštine i krhotina, a čistite ga mekom i suhom četkom ili krpom.
- d) **Ne zloupotrebjavajte priključni kabel. Nikada nemojte upotrebljavati priključni kabel za**

nošenje, vješanje električnog alata ili za izvlačenje utikača iz mrežne utičnice. Priključni kabel držite dalje od izvora topline, ulja, oštih rubova ili pomičnih dijelova uređaja. Oštećen ili zapleten priključni kabel povećava opasnost od strujnog udara.

- e) **Ako s električnim alatom radite na otvorenom, upotrebljavajte isključivo produžni kabel prikladan za upotrebu na otvorenom.** Upotreba produžnog kabela prikladnog za rad na otvorenom smanjuje opasnost od strujnog udara.
  - f) **Ako ne možete izbjeći upotrebu električnog alata u vlažnoj okolini, upotrijebite diferencijalnu strujnu zaštitnu sklopku.** Primjenom diferencijalne strujne zaštitne sklopke izbjegava se opasnost od strujnog udara.
- ## 3) Sigurnost ljudi
- a) **Budite pažljivi, pazite što činite i postupajte oprezno dok radite s električnim alatom. Nemojte upotrebljavati alat ako ste umorni ili pod utjecajem droga, alkohola ili lijekova.** Trenutak nepažnje kod upotrebe električnog alata može uzrokovati ozbiljne ozljede.
  - b) **Nosite osobnu zaštitnu opremu. Uvijek nosite zaštitne naočale.** Nošenje osobne zaštitne opreme, kao što je maska za prašinu, zaštitna obruca s protukliznim potplatom, zaštitna kaciga ili štitičnik za sluh, ovisno od vrste i primjene električnog alata, smanjuje opasnost od ozljeda.
  - c) **Spriječite svako nehotično uključivanje uređaja. Prije nego što ćete utaknuti utikač u utičnicu i/ili staviti komplet baterija, provjerite je li električni alat isključen.** Ako kod nošenja električnog alata imate prst na prekidaču ili se uključeni uređaj priključni na električno napajanje, to može dovesti do nezgoda.
  - d) **Prije uključivanja električnog alata uklonite alate za podešavanje ili ključ.** Alat ili ključ koji se nalazi u rotirajućem dijelu uređaja može dovesti do nezgoda.
  - e) **Izbjegavajte neuobičajene položaje tijela. Zauzmite siguran i stabilan položaj tijela i u svakom trenutku održavajte ravnotežu.** Na taj način možete električni alat bolje kontrolirati u neočekivanim situacijama.
  - f) **Nosite prikladnu odjeću. Ne nosite široku odjeću ni nakit.** Kosu i odjeću držite dalje od pomičnih dijelova. Široku odjeću, dugu kosu ili nakit mogu zahvatiti pomični dijelovi.
  - g) **Ako uređaji imaju priključak za usisavače za prašinu, provjerite jesu li isti priključeni i mogu li se ispravno upotrebljavati.** Upotreba sustava za usisavanje može smanjiti mogućnost nastanka opasnih situacija koje uzrokuje prašina.
  - h) **Nemojte postati previše bezbrižni i zanemariti sigurnosne upute zato što alat često upotrebljavate i smatrate da ste ga dobro upoznali.** Samo jedan trenutak nepažnje dovoljan je za nastanak ozbiljnih ozljeda.
- ## 4) Upotreba i održavanje električnog alata

- a) Ne preopterećujte uređaj. Za svaki posao upotrebljavajte prikladan i za to predviđen električni alat. S odgovarajućim električnim alatom posao ćete obaviti lakše, brže i sigurnije.
  - b) **Nemojte upotrebljavati električni alat čiji je prekidač neispravan.** Električni alat koji se više ne može uključivati i isključivati opasan je i mora se popraviti.
  - c) **Alat prije podešavanja, izmjene pribora i odlaganja isključite iz izvora napajanja i/ili izvadite komplet baterije, ako se vadi iz uređaja.** Ovim mjerama opreza izbjeci će se nehotično uključivanje električnog alata.
  - d) **Električni alat koji ne upotrebljavate spremite izvan doseg djece.** Rukovanje alatom zabranjeno je osobama koje nisu s njim upoznate ili koje nisu pročitale ove upute. Električni alati su opasni ako s njima rade neiskusne osobe.
  - e) **Redovno održavajte električne alate i pribor.** Kontrolirajte rade li besprijeekorno pomični dijelovi uređaja, jesu li zaglavljani, polomljeni ili oštećeni tako da to ugrožava daljnju upotrebu i rad električnog alata. Prije upotrebe oštećene dijelove treba popraviti. Loše održavani električni alati uzrok su mnogih nezgoda.
  - f) **Rezne alate održavajte oštrim i čistim.** Pažljivo održavani rezni alati s oštrim oštricama manje će se zaglavljivati i lakše se s njima radi.
  - g) **Električni alat, pribor, radne alate, itd. upotrebljavajte prema ovim uputama i na način kako je to propisano za određenu vrstu uređaja.** Pritom uzmite u obzir radne uvjete i radove koje treba izvršiti. Upotreba električnog alata za poslove izvan njegove predviđene upotrebe može dovesti do opasnih situacija.
  - h) **Ručke i zahvatne površine održavajte suhima, čistima i pazite da na njih ne dospiju ulje ili mast.** Skliske ručke i zahvatne površine onemogućuju sigurno rukovanje i alat se teško kontrolira u neočekivanim situacijama.
- 5) **Upotreba i održavanje akumulatorskih alata**
- a) **Akumulatorsku bateriju punite isključivo punjačima koje preporučuje proizvođač.** Ako punjač predviđen za jednu određenu vrstu kompleta baterija rabite s drugim kompletom baterija, postoji opasnost od požara.
  - b) **Električne alate upotrebljavajte isključivo s posebnim, namjenskim kompletima baterija.** Upotreba drugih kompleta baterija može dovesti do ozljeda i opasnosti od požara.
  - c) **Komplete baterija dok ih ne upotrebljavate držite dalje od uredskih spajalica, kovanica, ključeva, čavala, vijaka ili drugih sitnih metalnih predmeta koji bi mogli uzrokovati premošćenje kontakata.** Kratki spoj između kontakata baterije može uzrokovati opekline ili požar.
  - d) **Kod pogrešne primjene iz baterije može isticati tekućina.** Izbjegavajte kontakt s ovom tekućinom. Kod slučajnog kontakta zahvaćeno

- mjesto treba isprati vodom. Ako vam tekućina uđe u oči, zatražite pomoć liječnika. Tekućina istekla iz baterije može uzrokovati nadraženost kože i opekline.
- e) **Ne upotrebljavajte oštećene ili izmijenjene komplete baterija ni alate.** Oštećene ili izmijenjene baterije podložne su nepredvidivom ponašanju i mogu uzrokovati požar, eksploziju ili ozljede.
  - f) **Držite alat i komplet baterija dalje od vatre i visokih temperatura.** Izlaganje vatri ili temperaturi višoj od 130°C može uzrokovati eksploziju.
  - g) **Poštujte sve upute za punjenje i komplet baterija i alat ne punite pri temperaturama izvan vrijednosti koje su propisane i navedene u uputama.** Nepravilno punjenje ili punjenje pri temperaturama višim od propisanih može oštetiti bateriju i povećati opasnost od požara.
- 6) **Servisiranje**
- a) **Popravak električnog alata prepustite kvalificiranom osoblju ovlaštenog servisa i isključivo s originalnim rezervnim dijelovima.** Tako će biti zajamčen siguran rad s uređajem.
  - b) **Nikada ne servisirajte oštećene komplete baterija.** Servisiranje kompleta baterija smiju obavljati isključivo proizvođači i ovlašteni serviseri.

## SIGURNOSNA UPOZORENJA ZA ŠTAPNU PILU

1. Držite štapnu pilu na dovoljnoj udaljenosti od nadzemnih električnih vodova.
2. Budite svjesni opasnosti radnih položaja, kao i rizika od udarca grana koje padaju ili grana koje se, udarivši o tlo, odbiju. Rukovatelj može zadobiti udarac od granama koje padaju ili onih koje se nakon udarca odbiju o tlo. Režite grane po dijelovima.
3. Držite promatrače tijekom rada na sigurnoj udaljenosti od stroja.
4. Održavajte čvrst oslonac i ravnotežu tijekom rada, uključujući potrebu korištenja isporučeni pojasom.
5. Tijekom rada rabite OZO, uključujući zaštitu za sluh, zaštitu za oči (vizir ili naočale) i zaštitu za glavu i odjeću.

## SIGURNOSNA UPOZORENJA ZA BATERIJE




- a) **Bateriju nemojte rastavljati, otvarati ni trgati njezine ćelije.**
- b) **Bateriju nemojte kratko spajati.** Nemojte nemarno ostavljati baterije u kutijama i ladicama gdje može doći do njihovog kratkog spoja prilikom kontakta s vodljivim










**materijalima.** Kad baterija nije u upotrebi držite je podalje od drugih metalnih predmeta kao što su spajalice papira, novčići, ključevi, čavli, vijci i drugi maleni metalni predmeti koji mogu uzrokovati međusobno spajanje kontakata baterije. Kratko međusobno spajanje kontakata baterije može uzrokovati opekline i požar.

- c) **Bateriju nemojte izlagati vrućini i vatri. Izbjegavajte pohranu na izravnom sunčevom svjetlu.**
- d) **Bateriju ne izlažite udarcima.**
- e) **Ako dođe do curenja baterije, pazite da tekućina ne dospije na kožu ili u oči. Ako dođe do kontakta, isperite to mjesto velikom količinom vode i potražite liječničku pomoć.**
- f) **Bateriju održavajte čistom i suhom.**
- g) **Ako se zaprljaju, kontakte baterije izbrisite čistom i suhom krpom.**
- h) **Bateriju treba napuniti prije upotrebe. Uvijek primijenite upute iz ovog priručnika i odgovarajući postupak punjenja.**
- i) **Bateriju ne ostavljajte na punjaču dok nije u upotrebi.**
- j) **Nakon duljih razdoblja neupotrebe možda će biti potrebno nekoliko puta napuniti i isprazniti bateriju kako bi se postigla optimalna učinkovitost.**
- k) **Punite samo punjačem koji preporučuje Kress. Nemojte koristiti nikakav punjač osim onog koji je izričito predviđen za uporabu s opremom.**
- l) **Koristite samo baterije koje su namijenjene za upotrebu uz određeni uređaj.**
- m) **Baterije držite izvan dohvata djece.**
- n) **Izvorni priručnik isporučen uz uređaj sačuvajte za slučaj potrebe.**
- o) **Izvadite bateriju iz uređaja dok nije u upotrebi.**
- p) **Odlazite sukladno propisima.**
- q) **Nemojte miješati ćelije različitih proizvođača, kapaciteta, veličine ili tipa unutar istog uređaja.**
- r) **Držite bateriju podalje od mikrovalnih pećnica i visokog tlaka.**
- s) **Upozorenje! Ne koristite nepunjive baterije.**

## SACUVAJTE OVE UPUTE

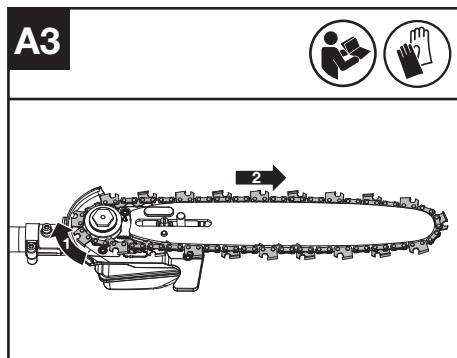
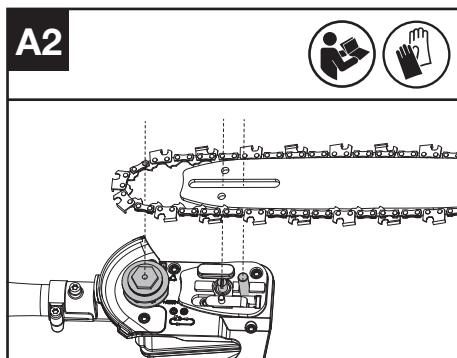
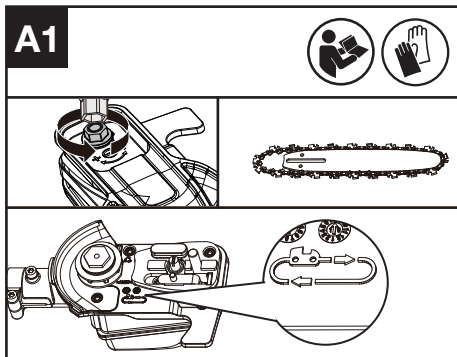
## SIMBOL

	Kako bi se smanjio rizik od ozljeda, korisnik mora pročitati priručnik s uputama
	UPOZORENJE
	Nosite zaštitu za uši

	Nosite zaštitu za oči
	Nosite masku za prašinu
	Nosite zaštitu za glavu
	Nositi zaštitne rukavice
	Zaštitna obuća
	Držite dovoljnu udaljenost od električnih vodova
	Litij-ionska baterija. Ovaj proizvod je označen simbolom koji označava „odvojeno prikupljanje“ za sve akumulatore i baterije. Zatim će se reciklirati ili rastaviti da se smanji utjecaj na okoliš. Baterije mogu biti opasne za okoliš i za ljudsko zdravlje jer sadrže opasne tvari.
	Nemojte spaljivati
	Baterije mogu ući u vodeni sustav ako se nepravilno odlože u otpad, što može biti opasno za ekosustav. Nemojte odlagati prazne baterije u nerazvrstani kućanski otpad.

	<p>Rabljeni električni proizvodi ne smiju se odlagati s kućanskim otpadom. Predajte ih na odgovarajućim reciklažnim mjestima. Savjete za reciklažu zatražite od lokalnih nadležnih tijela ili dobavljača.</p>
	<p>Zbrinjavanje na ekološki prihvatljiv način Stari električni uređaji ne smiju se odlagati zajedno s preostalim otpadom, već se moraju odlagati zasebno. Zbrinjavanje na komunalnom sabirnom mjestu putem privatnih osoba je besplatno. Vlasnik starih uređaja odgovoran je za donošenje uređaja na ova sabirna mjesta ili na slična mjesta prikupljanja. Uz malo osobnog truda, pridonosite recikliranju vrijednih sirovina i obradi otrovnih tvari.</p>
	Otključano
	Zaključano

4. Postavite poklopac pogona i zategnite šesterokutnu maticu



## SKUPINA I OPERACIJA

**NAPOMENA:** Prije uporabe alata, pažljivo pročitajte upute.

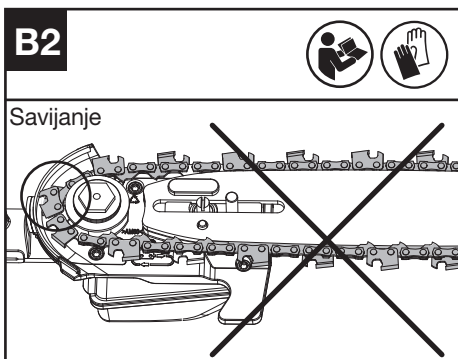
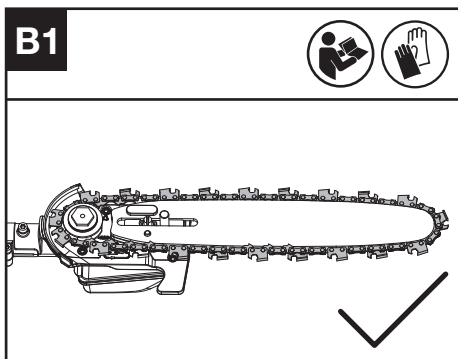
## SASTAVLJANJE

**UPOZORENJE!** Nemojte umetati baterijski komplet prije nego što potpuno sastavite pilu. Uvijek koristite rukavice kada rukujete lancem.

### SASTAVLJANJE LANCA I VODILICE

- Otpustite šesterokutnu maticu kako biste uklonili poklopac pogona. Gurnite lanac u utor oko vodilice. Provjerite je li lanac okrenut u ispravnom smjeru kretanja. (Pogledajte sl. A1)
- Namjestite lanac na pogonski lančanik, tako da klin za lociranje vodilice na podlošci vodilice stane u utor za klin na vodilici. (Pogledajte sl. A2, A3)
- Uvjerite se da su svi dijelovi pravilno postavljeni. Provjerite jesu li pogonske karike potpuno namještene u pogonski lančanik (pogledajte sl. B1), izbjegavajući pregib kao što je prikazano na sl. B2. Ako dođe do pregiba, podignite lanac na vodilici neposredno ispred pregiba i zatim izvucite pregib.

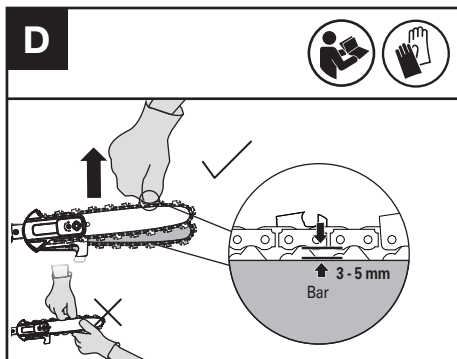
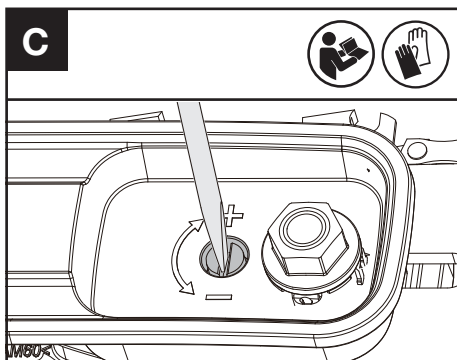
**NAPOMENA:** lanac bi se trebao slobodno okretati, ali je za okretanje lanca potrebna određena razina sile



lanca. Pravilna napetost lanca postiže se kada se lanac može podići za oko pola dubine pogonske poluge od vodilice u sredini. To treba učiniti tako da rukom na kojoj nosite rukavicu da podignete lanac u odnosu na težinu stroja. (Pogledajte sl. D). Zatim potpuno zategnite šesterokutnu maticu.

**NAPOMENA:** Lanac je ispravno zategnut kada se može podići s vodilice, a pogonska je poluga unutar šine vodilice.

**NAPOMENA:** lanac će se tijekom rezanja olabaviti i izgubiti pravilnu napetost. Kada se lanac olabavi, otpustite šesterokutnu maticu, ponovno zategnite vijak za zatezanje lanca, a zatim ponovno zategnite šesterokutnu maticu kako biste ispravno resetirali napetost lanca slijedeći prethodno navedene korake od 1 do 3.



**!** **UPOZORENJE:** lanac još nije zategnut. Zatezanje lanca vrši se kao što je opisano u odjeljku „ZATEZANJE LANCA”. Sada treba pregledati lanac kako biste se uvjerali da je dobro zategnut.

### ZATEZANJE LANCA (pogledajte sl. C,D)

**NAPOMENA:** novi lanci pile sjest će na vodilicu prilikom prve uporabe. Često provjeravajte napetost lanca prilikom prve uporabe i zategnite ga kada se lanac olabavi oko vodilice.

- Prije podešavanja napetosti lanca pile uklonite baterijski modul.
- Rezni su rubovi na lancu oštri. Prilikom rukovanja lancem koristite se zaštitnim rukavicama.
- Uvijek održavajte pravilnu napetost lanca. Labavi lanac može iskočiti iz utora vodilice. To može ozlijediti rukovatelja i oštetiti lanac. Labavi lanac uzrokovat će brzo trošenje lanca, vodilice i lančanika.

1. Postavite štapnu pilu na bilo koju prikladnu ravnu površinu i otpustite šesterokutnu maticu.
2. Okrećite vijak za zatezanje lanca u smjeru kazaljke na satu dok ne bude zategnut. (Pogledajte sl. C) **NAPOMENA:** zategnutost se automatski povećava dok se vijak za zatezanje lanca okreće u smjeru kazaljke na satu. Nakon toga čvrsto zategnite šesterokutnu maticu.
3. Provjerite postavljenu napetost vijkom za zatezanje

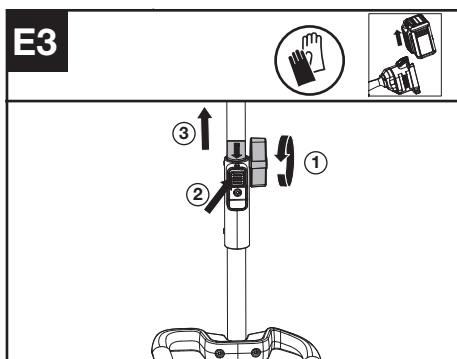
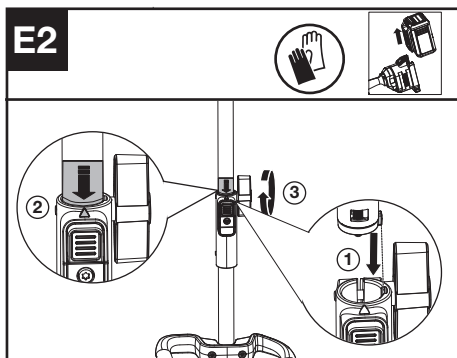
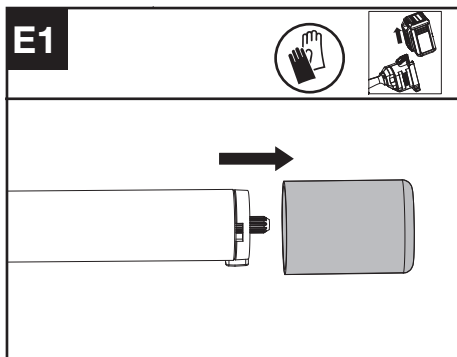
### Sastavljanje i rastavljanje nastavka pogonske glave (pogledajte sl. E1, E2, E3)

1. Uklonite zaštitnu kapicu s kraju osovine za nastavke.
2. Za sastavljanje, poravnajte ikonu trokuta na gumbu s naljepnicom sa strelicom na osovini za nastavke.
3. Gurajte osovine zajedno dok ne čujete „klik”. Rub naljepnice sa strelicom treba biti blizu kućišta priključka osovine. (Napomena: Ako se radna glava štapne pile ne može u potpunosti umetnuti u pogonsku glavu, malo zakrenite glavu trimera



dok ne bude moguće potpuno umetnuti radnu glavu štapne pile.)

4. Dovršite sastavljanje zatezanjem gumba u smjeru kazaljke na satu.
5. Za rastavljanje, olabavite gumb, okrenite u smjeru suprotnom od kazaljke na satu, zatim pritisnite gumb za otpuštanje i razdvojite osovine. Zamijenite zaštitnu kapicu na osovini za pričvršćivanje kako biste osigurali da prašina i krhotine ne dospiju u osovinu.



Informacije o montaži i demontaži za produžni vrat, molimo pogledajte slike E1,

## E2 i E3.

## PODMAZIVANJE (POGLEDAJTE SL. F)

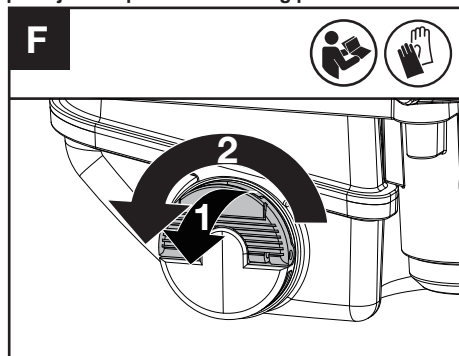
**!** VAŽNO: štapna pila nije napunjena uljem za vodilicu i lanac. Važno je prije uporabe napuniti ulje za vodilicu i lanac. Nikada se ne koristite štapnom pilom bez ulja za vodilicu i lanac ili dopustiti da se spremnik isprazni jer će to dovesti do velikih oštećenja proizvoda. **NAPOMENA:** životni vijek lanca i kapacitet rezanja ovise o optimalnom podmazivanju. Stoga se lanac automatski podmazuje tijekom rada.

### PUNJENJE SPREMNIKA ULJA:

**!** UPOZORENJE: prije punjenja spremnika ulja uklonite baterijski modul.

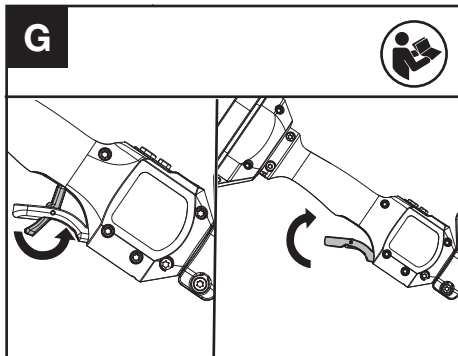
1. Postavite štapnu pilu na bilo koju prikladnu površinu s poklopcem za punjenje ulja okrenutim prema gore.
2. Očistite područje oko poklopcu otvora za punjenje ulja krpom i odvrnite čep okretanjem u smjeru suprotnom od kazaljke na satu.
3. Ulijevajte ulje za vodilicu i lanac u spremnik dok se spremnik gotovo ne napuni.
4. Izbjegavajte prodor prljavštine ili krhotina u spremnik za ulje, ponovo namjestite čep za punjenje ulja i zategnite ga rukom okretanjem u smjeru kazaljke na satu dok se ne zategne.

**!** Važno je koristiti se mazivom za vodilicu i lanac (ne automobilskim uljem) koje je formulirano za rad u širokom rasponu temperatura bez potrebe za razrjeđivanjem. To možete pronaći na mjestu gdje ste kupili ovu pilu ili u svojoj lokalnoj željezarnici. Nemojte rabiti prljava, rabljena ili na drugi način onečišćena ulja. Može doći do oštećenja vodilice ili lanca. Upotreba neodobrenog ulja za vodilicu i lanac poništiti će jamstvo. Čuvajte ulje za vodilicu izvan dohvata djece. Ako progutate ulje, odmah nazovite liječnika. Čuvajte podalje od topline ili otvorenog plamena.



# UPOTREBA

## Pokretanje štapne pile



1. Pritisnite prvo sigurnosnu ručicu za isključivanje prema naprijed, zatim stisnite i držite aktivator gasa kako biste pokrenuli stroj.

**NAPOMENA:** Više pojedinosti može se pronaći u priručniku za glavu motora.

## REZANJE

**VAŽNO: povremeno provjeravajte spremnik za ulje. Provjerite zategnutost nedavno zamijenjenog lanca svaki put kada mijenjate baterijski modul.**

- (1) Umetanje baterijskog kompleta u stroj.
- (2) Nemojte dopustiti da lanac dođe u dodir s tлом tijekom rada jer će to otupiti lanac.
- (3) Za držanje pile rabite obje ruke.
- (4) Uvjerite se da je vaš oslonac čvrst. Držite stopala u širini ramena. Ravnomjerno rasporedite težinu na obje noge.
- (5) Kada ste spremni za rezanje, slijedite gore navedene postupke pokretanja i odabir brzine. Time ćete uključiti pilu. Otpuštanjem okidača isključit ćete pilu. Prije početka rezanja provjerite radi li pila punom brzinom.
- (6) Kada započnete rez, polako prislonite pokretni dio lanca na drvo. Drvo treba biti što bliže tijelu rezne glave. Držite pilu čvrsto kako biste izbjegli moguće poskakivanje ili klizanje (bočno kretanje) pile.
- (7) Vodite pilu laganim pritiskom i ne primjenjujte prekomjernu silu na pilu, puštajući pilu da radi svoj posao. Motor bi se mogao preopteretiti i pregorjeti. Obavljat će posao bolje i sigurnije ako ga rabite brzinom za koju je namijenjen.
- (8) Izvadite pilu iz reza dok pila radi punom brzinom. Zaustavite pilu. Prije spuštanja pile uvjerite se da se lanac zaustavio.
- (9) Vježbajte na otpadnim trupcima u sigurnom radnom prostoru sve dok vam ne bude ugodno, koristeći se tečnim pokretima i postojanom brzinom rezanja.

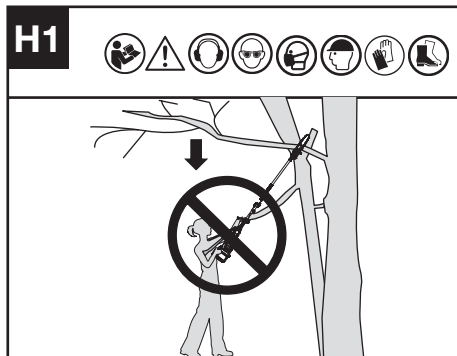
## NAPRAVE ZA ZAŠTITU OD POVRTNOG UDARA NA PILI

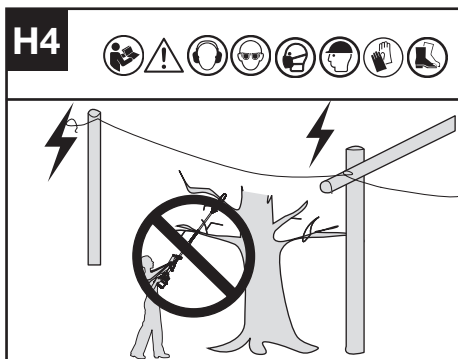
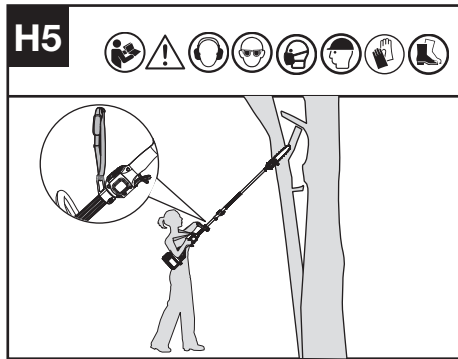
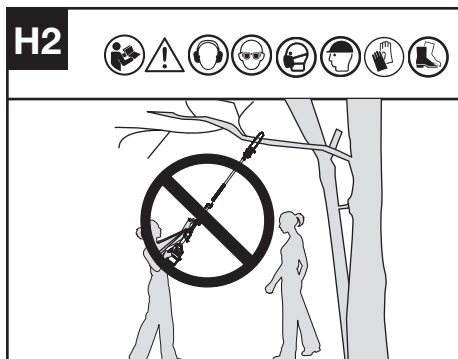
Ova pila ima lanac s malim povratnim udarom i vodilicu sa smanjenim povratnim udarom. Oba proizvođača smanjuju mogućnost povratnog udara. Međutim, kod ove pile ipak može doći do povratnog udara. Sljedeći će koraci smanjiti rizik od povratnog udara.

- Objema rukama držite pilu dok pila radi. Održavajte čvrsti stisak.
- Držite sve sigurnosne elemente pile na mjestu. Provjerite rade li ispravno.
- U svako doba održavajte pravilno uporište i ravnotežu.
- Stanite malo s lijeve strane pile. Time se sprječava da vam tijelo bude u izravnoj ravnini s lancem.
- Nemojte dopustiti da vrh vodilice bilo što dodiruje dok se lanac kreće.
- Nemojte zakopavati vrh vodilice niti pokušavati rezati uranjanjem (bušenje u drvo s pomoću vrha vodilice).
- Pazite na pomicanje drveta ili druge sile koje mogu priklještit lanac.
- Budite iznimno oprezni kada ponovo ulazite u prethodni rez.
- Upotrebljavajte samo lanac s malim povratnim udarom i vodilicu koji su isporučeni s ovom motornom pilom ili se preporučuju.
- Nikada nemojte rabiti tup ili labav lanac. Održavajte lanac oštrim uz odgovarajuću zategnutost.

## REZANJE VISOKIH GRANA

1. Umetanje baterijskog modula u stroj.
2. Prije rezanja visoke grane, obratite naročitu pozornost na vjerojatnu putanju grane u padu. **UPOZORENJE:** nemojte stajati izravno ispod grane koju režete. Promatrače držite podalje. Nemojte stajati na ljestvama ili drugoj vrsti nestabilnog oslonca dok se koristite alatom. Ne koristite se alatom u blizini kabela, električnih ili telefonskih vodova. Držite 10 ft (3m) dalje od svih dalekovoda. (Pogledajte sl. H1-H4)





3. Uхватite pilu s obje ruke i režite granu.

## PODREZIVANJE STABLA (OBREZIVANJE)

**UPOZORENJE:** izbjegavajte povratni udar.

Povratni udar može rezultirati teškim ozljedama ili smrću.

Pogledajte poglavlje Povratni udar kako biste izbjegli rizik od povratnog udara. **UPOZORENJE:**

ne rabite štapnu pilu dok

- ste na stablu
- ste na ljestvama ili nestabilnoj površini
- ste u neprirodnom položaju

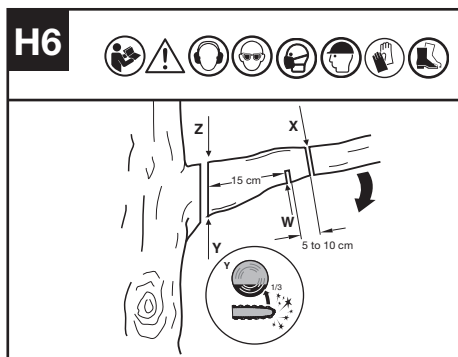
Možete izgubiti kontrolu nad pilom i uzrokovati teške ozljede.

**OPREZ:** ako se suočite s uvjetima koji nadilaze vaše mogućnosti potražite stručnu pomoć.

Podrezivanje stabla postupak je rezanja grana sa živog stabla. Uvjerite se da je vaš oslonac čvrst. Držite noge razmaknute. Podijelite svoju težinu ravnomjerno na obje noge.

Prilikom podrezivanja stabla slijedite upute u nastavku.

1. Prvi rez napravite nekoliko centimetara (c) od debla na donjoj strani grane. Za ovaj rez upotrijebite vrh vodilice. Izrežite 1/3 promjera kraka (pogledajte sl. H6).



2. Pomaknite se nekoliko centimetara (30 % od c) gore na grani. Napravite drugi rez s gornje strane grane. Nastavite rezati dok ne odrežete granu.
3. Napravite treći rez što bliže deblu stabla potpuno režući preostali dio. Upotrijebite donji dio vodilice za izvođenje ovog reza.

## ZA BATERIJSKE ALATE

Preporučeni raspon temperature okoline za pražnjenje je -20 °C~45 °C.

Preporučeni raspon temperature okoline za sustav punjenja tijekom punjenja je -5 °C~45 °C.

## PRIJEVOZ

### Prijevoz štapne pile

1. Isključite štapnu pilu i izvadite bateriju.
2. Prilikom ručnog prijevoza štapne pile, držite štapnu pilu pazeći da je stroj paralelan s tlom i da je vodilica okrenuta prema natrag.
3. Kad prevozite štapnu pilu u vozilu, osigurajte je i postavite tako da sprječite njeno pomicanje ili oštećenje.

## ODRŽAVANJE PILE

Slijedite upute za održavanje navedene u ovom priručniku. Pravilno čišćenje i održavanje pile, lanca i vodilice može smanjiti mogućnost trošenja. Pregledajte i održavajte pilu nakon svake uporabe. Time ćete produžiti radni vijek svoje pile. Ako se tijekom rada smoči na kiši, prije pohrane ili punjenja stroj i baterijski modul treba osušiti.

## ODRŽAVANJE I POHRANA ŠTAPNE PILE

### 1. Vađenje baterijskog modula

- Kada nije u upotrebi
- Prije premještanja s jednog mjesta na drugo
- Prije servisiranja
- Prije mijenjanja pribora ili dodataka, kao što su lanac pile i štitičnik

**2. Pregledajte štapnu pilu prije i nakon svake uporabe.** Detaljno provjerite pilu i provjerite je li štitičnik ili neki drugi dio oštećen. Provjerite postoje li oštećenja koja mogu utjecati na sigurnost rukovatelja ili rad pile. Provjerite poravnanje ili spajanje pokretnih dijelova. Provjerite ima li slomljenih ili oštećenih dijelova. Ako oštećenje utječe na sigurnost ili rad nemojte koristiti štapnu pilu. Neka kvar popravi ovlaštení servis.

### 3. Pažljivo održavajte štapnu pilu.

- Za bolji i sigurniji rad održavajte lanac oštrom, čistim i podmazanim.
  - Za oštrenje lanca slijedite korake navedene u ovom priručniku.
  - Držite ručke suhima, čistima i bez ulja i masti.
  - Držite sve vijke i matice čvrsto zategnutima.
- 4. Prilikom servisiranja rabite samo identične zamjenske dijelove.**
- 5. Kada je ne rabite, štapnu pilu uvijek spremite**
- na visokom ili zaključanom mjestu, izvan dohvata djece
  - na suhom mjestu
  - s postavljenim zaštitnim koricama

## ODRŽAVANJE VODILICE

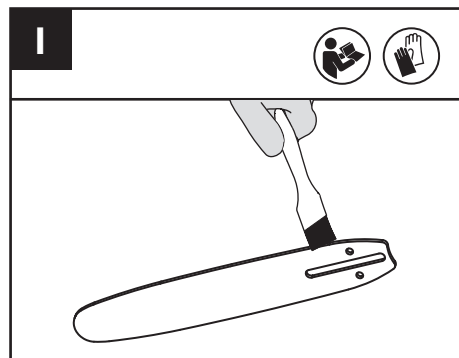
Kako bi se produžio vijek trajanja vodilice, preporuča se sljedeće održavanje šipke.

Vodilice koje nose lanac treba očistiti prije spremanja alata ili ako se čini da su vodilica ili lanac prjavi.

Vodilice treba očistiti svaki put kada se lanac skida. Možda će biti potrebno povremeno brušenje rubova vodilica s ravnom turpijom.

### ČIŠĆENJE VODILICA

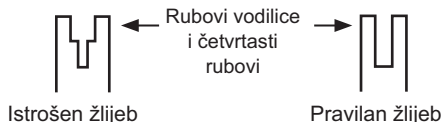
1. Uklonite poklopac lanca te vodilicu i lanac. (Pogledajte odjeljak SASTAVLJANJE)
2. S pomoću žičane četke, odvijčača ili sličnog alata očistite ostatke s unutarnjeg utora šipke. (Pogledajte sl. I)
3. Obavezno temeljito očistite kanale za ulje.



### UVJETI KOJI ZAHTIJEVAJU ODRŽAVANJE LANCA I VODILICE:

- Pila reže na jednu stranu ili pod kutom.
- Pila se mora gurati kroz rez.
- Neodgovarajuća opskrba uljem vodilice i lanca.

Svaki put kada se lanac oštiri provjerite stanje vodilice. Istrošena vodilica će oštetiti lanac i otežati rezanje. Nakon svake uporabe uklonite baterijski modul, očistite svu piljevinu s vodilice i otvora za lančanik. Kada je vrh vodilice neravan, upotrijebite ravnu turpiju da obnovite četvrtaste rubove uklanjanjem svih neravnina s bočne strane ili vrha šipke.



Zamijenite vodilicu ako je žlijeb istrošen, ako vodilica je savijena ili napukla, ili kada dođe do prekomjernog zagrijavanja ili pucanja vodilice. Ako je zamjena potrebna, koristite samo šipku za vođenje specificiranu za vašu pilu na popisu rezervnih dijelova ili na naljepnici na polusjekiru.

## ZAMJENA VODILICE I LANCA

Zamijenite lanac kada su zubi previše istrošeni kako bi se naoštrili ili kada lanac postane neispravan. Koristite samo zamjenski lanac naveden u ovom priručniku. Provjerite vodilicu prije oštrenja lanca. Istrošena ili oštećena vodilica nije sigurna za korištenje. Istrošena ili oštećena vodilica oštetit će lanac. Također će otežati rezanje.

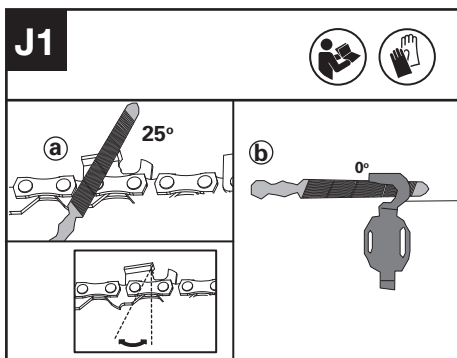
## OŠTRENJE LANCA PILE

**!** **UPOZORENJE:** Prije servisiranja uklonite baterijski modul. Uslijed strujnog udara ili dodira tijela s pokretnim lancem može doći do teške ozljede ili smrti.

Rezni rubovi na lancu su oštri. Prilikom rukovanja lancem koristite zaštitne rukavice.

Držite lanac uvijek oštrim. Vaša će pila tada rezati brže i sigurnije. Tup lanac uzrokovat će prekomjerno trošenje lančanika, vodilice, lanca i motora. Ako morate gurati lanac u drvo, a rezanje stvara samo piljevinu s nekoliko velikih strugotina, lanac je tup.

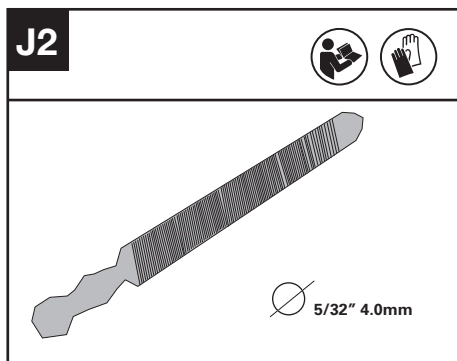
Prije oštrenja obratite pozornost na sljedeće čimbenike: (Vidi sliku J1)



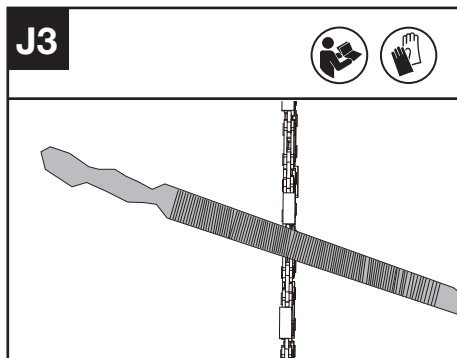
a: kut turpijanja; b: položaj turpije.

### Kako naoštriti zube

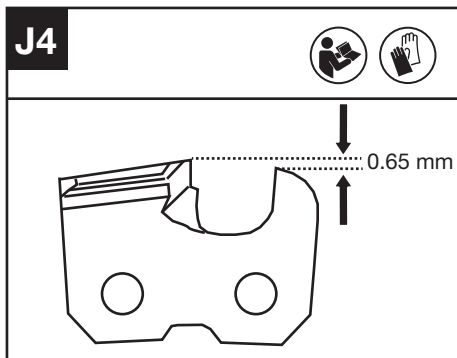
1. Pripremite okruglu turpiju za oštrenje rezača. (Vidi sliku J2). Napomena: Čvrsto stegnite vodilicu u škripcu prije oštrenja lanca. Uvjerite se da lanac nije „prikliješten“ i da se može slobodno kretati po vodilici. Provjerite je li lanac pravilno nategnut. (Vidi odjeljak „Zatezanje lanca“)



2. Naoštrite rezače s pomoću turpije od unutarnje strane reznih zuba prema vanjskoj strani lanca. (Vidi sliku J3)



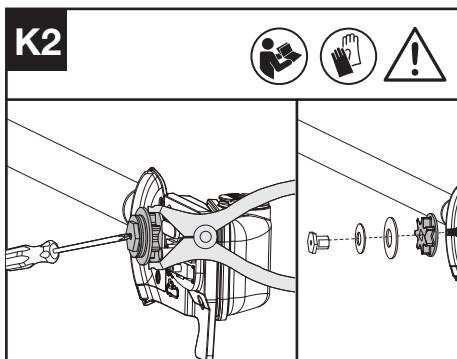
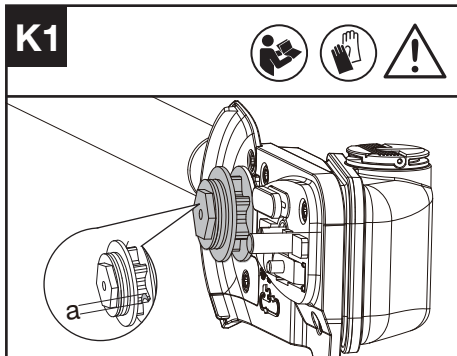
3. Isturpijajte sve rezače s jedne strane vodilice.  
4. Okrećite lančanu pilu uokolo i isturpijajte sve rezače na suprotnoj strani.  
5. Pazite da duljina svih reznih zuba bude ista. Kako biste osigurali učinkovito, sigurno i glatko rezanje, isturpijajte visinu mjeraca na 0,65 mm. Provjerite je li vodeći rub mjeraca profila zaobljen. (Vidi sliku J4)



## PROVJERA I ODRŽAVANJE LANČANIKA

**!** UPOZORENJE: prije provjere, obavezno isključite štapnu pilu i izvadite bateriju.

1. Skinite poklopac lančanika, lanac pile i vodilicu.
2. Provjerite jesu li tragovi istrošenosti dublji od  $a=0,5$  mm kao što je prikazano na slici K1, a ako jesu, lančanik treba zamijeniti. (Pogledajte sl. K1)
3. Prilikom zamjene lančanika provjerite lančanik kliještimama i s pomoću odvijača otpustite maticu i zamijenite je. (Pogledajte sl. K2)



## ČIŠĆENJE

1. Isključite štapnu pilu i izvadite bateriju.
2. Nemojte koristiti agresivne deterdžente ili otapala. Očistite stroj nakon upotrebe vlažnom krpom umočenom u blagi deterdžent.
3. Očistite priključak baterije od prljavštine i krhotina, a čistite ga mekom i suhom četkom ili krpom.
4. Nemojte prskati vodu na motor i električne komponente.
5. Ne koristite visokotlačni perać za čišćenje vašeg stroja.

## SKLADIŠTENJE

1. Prije pohrane izvadite baterijski modul iz štapne pile.
2. Štapnu pilu i bateriju pohranjujte na suhom mjestu koje je sigurno od dohvata djece i ostalih neovlaštenih osoba.
3. Nakon što se smočite na kiši tijekom rada, stroj i bateriju treba osušiti prije pohranjivanja ili punjenja. Izvadite bateriju i ponovno je umetnite ako se stroj ne uspije uključiti.

# OTKLANJANJE POTEŠKOĆA

Tablica u nastavku navodi provjere i radnje koje možete poduzeti ako vaš uređaj ne radi ispravno. Ako ovo ne identificira/popravi problem, obratite se svom servisnom predstavniku.



**UPOZORENJE: PRIJE ISPITIVANJA GREŠKE ISKLJUČITE PILU I ODSPOJITE UTIKAČ OD NAPAJANJA**

Simptom	Mogući uzrok	Rješenje
Štapna pila ne radi	Baterija prazna	Napunite baterijski modul
Štapna pila radi s prekidima	Pregrijavanje	Stavite stroj u hladno, prozračeno mjesto da ga ohladite
	Tijekom rezanja primjenjuje se previše pritiska.	Primijenite manji pritisak prilikom rezanja
	Labavi spoj.	Obratite se ovlaštenom serviseru.
	Neispravno unutarnje ožičenje.	
	Aktivator za uklj./isklj. gasa neispravan.	
Suhi lanac	Nema ulja u spremniku za ulje	Dolijte ulje
	Otvor je u čepu za punjenje ulja začepljen	Očistite čep
	Začepljen je vod ulja	Očistite otvor za prolaz ulja
Lanac/vodilica se pregrijava	Nema ulja u spremniku za ulje	Dolijte ulje
	Otvor je u čepu za punjenje ulja začepljen	Očistite čep
	Začepljen je vod ulja	Očistite otvor za prolaz ulja
	Lanac je prekomjerno zategnut	Podesite zategnutost lanca
	Lanac je tup	Naoštrite ili zamijenite lanac
Štapna pila vibrira, ne pili pravilno.	Lanac je premalo zategnut	Podesite zategnutost lanca
	Lanac je tup	Naoštrite ili zamijenite lanac
	Lanac je istrošen	Zamijenite lanac
	Zupci lanca okrenuti su u pogrešnom smjeru	Ponovno sastavite

## TEHNIČKI PODACI

	KAC361
Duljina vodilice	25 cm
Brzina lanca	Visoka: 17 m/s Niska: 13 m/s
Zapremina spremnika ulja	160 ml
Nagib lanca	3/8" LP
Mjerač lanca	1.1 mm
Stupanj zaštite	IPX4
Težina stroja	1.8 kg

## KOMBINACIJA NASTAVAKA ZA REZANJE

### Nastavak za rezanje

KAC333-10"/25cm 0.043"/1.1mm 3/8 LP Vodilica

KAC302-10"/25cm 0.043"/1.1mm 3/8 LP Lanac

KAC335-12"/30cm 0.043"/1.1mm 3/8 LP Vodilica

KAC304-12"/30cm 0.043"/1.1mm 3/8 LP Lanac

## INFORMACIJE S PRODUŽNIM VRATOM (KAC360)

### PODACI O BUCI

Ponderirani zvučni tlak  $L_{pA} = 79 \text{ dB(A)}$   
 $K_{pA} = 3,0 \text{ dB(A)}$

Ponderirana zvučna snaga  $L_{wA} = 94,1 \text{ dB(A)}$   
 $K_{wA} = 1,1 \text{ dB(A)}$

Nosite zaštitu za uši.



## INFORMACIJE O VIBRACIJAMA

Ukupne vrijednosti vibracija (troaksijalni vektorski zbroj) određene prema EN ISO 11680-1.

Nesigurnost vrijednosti vibracijske

$a_n = 1,3 \text{ m/s}^2$

Neodređenost  
 $K = 1,5 \text{ m/s}^2$

## INFORMACIJE BEZ PRODUŽNOG VRATA PODACI O BUCI

Ponderirani zvučni tlak  $L_{pA} = 82 \text{ dB(A)}$   
 $K_{pA} = 3,0 \text{ dB(A)}$

Ponderirana zvučna snaga  $L_{wA} = 93 \text{ dB(A)}$   
 $K_{wA} = 1,5 \text{ dB(A)}$

Nosite zaštitu za uši.



## INFORMACIJE O VIBRACIJAMA

Ukupne vrijednosti vibracija (troaksijalni vektorski zbroj) određene prema EN ISO 11680-1.

Nesigurnost vrijednosti vibracijske

$a_n = 1,87 \text{ m/s}^2$

Neodređenost  
 $K = 1,5 \text{ m/s}^2$

Deklarirana ukupna vrijednost vibracija može se rabiti za uspoređivanja alata, a također i za preliminarnu procjenu izloženosti.




**UPOZORENJE:** Vrijednost emisije vibracija tijekom stvarne uporabe električnog alata može se razlikovati od deklarirane vrijednosti ovisno o načinima korištenja alata, uključujući sljedeće primjere i druge varijacije načina korištenja alata: Kako se alat koristi i materijali koji se režu ili buše. Alat je u dobrom stanju i dobro održavan. Upotreba pravilnog dodatka za alat i osiguravanje da je oštar i u dobrom stanju. Zategnutost stiska na ručkama i ako se koriste bilo kakve anti-vibracije i dodatak protiv buke. Alat se koristi kako je predviđeno u skladu s namjenom i ovim uputama. Ako se ne upotrebljava na odgovarajući način, ovaj alat može uzrokovati vibracijski sindrom šake i ruke.



**UPOZORENJE:** da bi bila točna, procjena razine izloženosti u stvarnim uvjetima uporabe također treba uzeti u obzir sve elemente radnog ciklusa, kao što su vremena kada je alat isključen i kada radi u praznom hodu bez obavljanja radnog zadatka. To može značajno smanjiti razinu izloženosti tijekom ukupnog radnog razdoblja. Pomaže u minimiziranju rizika od vibracije i izlaganja buci. Uvijek koristite oštra dijelja, bušilice i oštrice. Održavajte ovaj alat u skladu s ovim uputama i držite ga dobro podmazanim (gdje je to prikladno). Ako se alat treba redovito koristiti, tada uložite u anti-vibracije i dodatke protiv buke. Planirajte svoj raspored rada tako da rasporedite poslove s visokim vibracijama tijekom više dana.



# ZAŠTITA OKOLIŠA

 Rabljeni električni proizvodi ne smiju se odlagati s kućanskim otpadom. Predajte ih na odgovarajućim reciklažnim mjestima. Savjete za reciklažu zatražite od lokalnih nadležnih tijela ili dobavljača.

Allen Ding  
Zamjenik šefa inženjeringa, Testiranje i certifikacija  
Positec Technology (China) Co., Ltd.  
18, Dongwang Road, Suzhou Industrial  
Park, Jiangu 215123, P. R. China

## IZJAVA O SUKLADNOSTI

MI,  
Positec Germany GmbH  
Postfach 680194, 50704 Cologne, Germany

U ime Positeca izjavljuju da je proizvod

**Opis:** Baterijska štapna pila

**Type:** KAC361 (361 – oznaka strojeva, predstavnik za štapne pile)

**Function:** Rezanje visokih grana

Usklađeno sa sljedećim smjernicama,  
**2006/42/EC, 2014/30/EU, 2011/65/EU & (EU)2015/863, 2000/14/EC izmijenjena do 2005/88/EC**

Uključeno ovlašteno tijelo

Ime i prezime: Intertek Deutschland GmbH (pristojni priglasitveni organ 0905)

Adresa: Stangenstraße 1, 70771 LEINFELDEN-ECHTERDINGEN

Certifikacija br.: 24SHW0160

HR

### Informacije s produžnim vratom (KAC360)

2000/14/EC izmijenjena do 2005/88/EC:

- postupak procjene sukladnosti prema Annex V
- izmjerena razina zvučne snage 94 dB(A)
- proglašena zajamčena razina zvučne snage 96 dB(A)

### Informacije bez produžnog vrata

2000/14/EC izmijenjena do 2005/88/EC:

- postupak procjene sukladnosti prema Annex V
- izmjerena razina zvučne snage 93 dB(A)
- proglašena zajamčena razina zvučne snage 95 dB(A)

Standardi su u skladu s:

**EN 62841-1, EN ISO 11680-1, EN ISO 3744, EN IEC 55014-1, EN IEC 55014-2, EN IEC 63000**

Osoba ovlaštena za sastavljanje tehničke dokumentacije:

**Ime i prezime:** Marcel Filz

**Adresa:** Positec Germany GmbH

**Postfach 680194, 50704 Cologne, Germany**



2024/01/26

# INDHOLDSFORTEGNELSE

Introduktion.....	234
komponentliste.....	235
Originalbrugsanvisning.....	256
Samling og betjening.....	239
Kædesmøring.....	241
Betjeningsvejledning.....	241
Transport .....	244
Vedligeholdelse af sagen og sikkerhed .....	244
Rengøring .....	246
Opbevaring.....	246
<b>DK</b> Fejlfinding.....	247
Teknisk Data.....	247
Konformitetserklæring .....	248

## INTRODUKTION

Kære kunde,

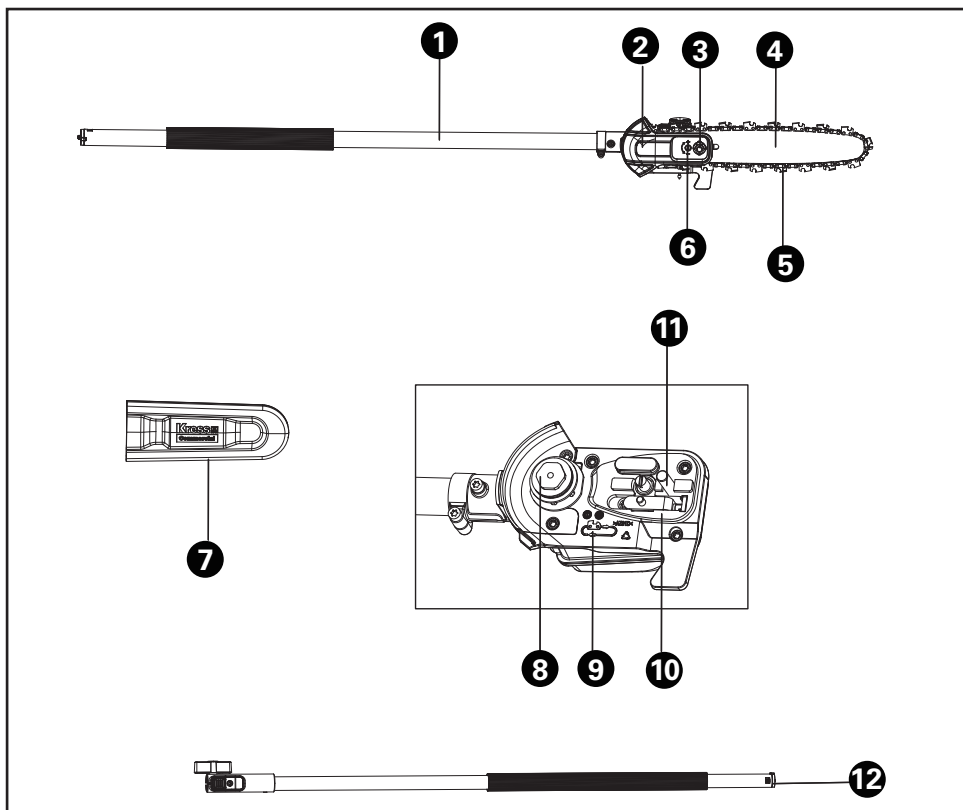
Tak, fordi du købte dette Kress Commercial-produkt. Vi har specialiseret os i at udvikle produkter af høj kvalitet, der dækker dine krav til din plæne og din have.

Kress-mærket står for service af førsteklasses kvalitet. Bed din lokale forhandler eller vores kundeserviceteam om hjælp, hvis du har spørgsmål om eller problemer med produktet i dets levetid.

Vi er overbeviste om, at du vil nyde at bruge dit Kress-produkt i de kommende år.

## TILSIGTET BRUG

Sammen med KAC104 – motorenhed, denne stangsav er designet til at beskære og trimme grene uden for armslængde. Alle snit skal være på tværs af årerne. Produktet er udelukkende beregnet til savning i træ.



DK

## KOMPONENTLISTE

- |     |                              |
|-----|------------------------------|
| 1.  | AKSEL                        |
| 2.  | DREVDÆKSEL                   |
| 3.  | SEKSKANTMØTRIK               |
| 4.  | SVÆRD                        |
| 5.  | KÆDE                         |
| 6.  | SKRUE TIL KÆDESTRAMNING      |
| 7.  | BESKYTTESSKEDE               |
| 8.  | DREVHJUL                     |
| 9.  | SYMBOL FOR KÆDERETNING       |
| 10. | FIBERKLODS                   |
| 11. | POSITIONERINGSBOLT TIL SVÆRD |
| 12. | FORLÆNGERSKAFT *             |

\* Illustreret eller beskrevet tilbehør er kun delvis indeholdt i leverancen.

# ORIGINAL BRUGSANVISNING SIKKERHEDSINSTRUKTIONER GENERELLE ADVARSLER I FORBINDELSE MED MASKINVÆRKTØJ



**ADVARSEL:** Læs alle sikkerhedsadvarsler, instruktioner, illustrationer og specifikationer, som følger med el-værktøjet. I

*tilfælde af manglende overholdelse af anvisningerne nedenfor er der risiko for elektrisk stød, brand og/eller alvorlige personskader.*

Gem alle advarsler og instruktioner for fremtidig reference.

Udtrykket "elværktøj" i nedenstående advarsler henviser til dit eldrevne (med ledning) eller batteridrevne (uden ledning) værktøj.

## 1) ARBEJDSOMRÅDE

- a) **Sørg for, at arbejdsområdet er rent og godt oplyst.** Rodede arbejdsområder kan forårsage personskade.
- b) **Anvend ikke elværktøj i eksplosive atmosfærer, f.eks. i nærheden af brændbare væsker, gasser eller støv.** Elværktøj frembringer gnister, der kan antænde støv eller dampe.
- c) **Hold børn og tilskuere på afstand, når elværktøjet bruges.** Hvis du bliver distraheret, kan du miste kontrollen over værktøjet.

## 2) ELSIKKERHED

- a) **Elværktøjets stik skal svare til stikkontakten. Du må ikke ændre stikket på nogen måde. Brug ikke adapterstik til elværktøj med jordforbindelse.** Hvis du bruger uændrede stik og stikkontakter, der passer til stikkene, mindskes risikoen for elektrisk stød.
- b) **Undgå at røre ved overflader med jordforbindelse, f.eks. rør, radiatorer, komfurer og køleskabe.** Risikoen for elektrisk stød øges, hvis din krop får jordforbindelse.
- c) **Brug ikke maskinen i regnvejr eller fugtige omgivelser. Det kan øge risikoen for elektrisk stød.** Hvis maskinen har været brugt i regnvejr, skal maskinen og batteriet tørres helt inden det oplades eller stilles til opbevaring. Tag batteripakken ud, og sæt den i igen, hvis maskinen ikke kan tændes. Hold batteriforbindelserne fri for snavs og afklip, og rengør dem med en blød og tør børste eller klud.
- d) **Undgå at udsætte ledningen for overlast. Bær ikke værktøjet i ledningen, og træk ikke i ledningen, når du tager stikket ud af stikkontakten. Hold ledningen væk fra varme, olie, skarpe kanter og bevægelige dele.** Beskadigede eller filtrede ledninger øger risikoen for elektrisk stød.
- e) **Brug altid forlængerledninger til udendørs brug, når du anvender værktøjet udendørs.**

Risikoen for elektrisk stød mindskes, hvis forlængerledningen er egnet til udendørs brug. Hvis det elektriske værktøj anvendes i fugtige omgivelser, skal der ubetinget anvendes en strømforsyning, der er beskyttet mod reststrøm. Det mindsker risikoen for elektriske stød.

## 3) PERSONLIG SIKKERHED

- a) **Vær opmærksom, hold altid øje med værktøjet, og brug din sunde fornuft ved brug af elværktøjet. Brug ikke elværktøjet, hvis du er træt eller påvirket af narkotika, alkohol eller medicin.** Et øjeblikks koncentrationssvigt ved brug af elværktøj kan medføre alvorlig personskade.
  - b) **Brug beskyttelsesudstyr. Brug altid sikkerhedsbriller.** Sikkerhedsudstyr som støvmaske, skridsikre sikkerhedssko, sikkerhedshjelm eller høreværn mindsker risikoen for personskade.
  - c) **Undgå at starte utilsigtet. Kontroller, at kontakten står i stillingen OFF, inden udstyret tilsluttes en strømkilde og/eller batteripakke, samles op eller transporteres.** Hvis du bærer elværktøj med fingeren på afbryderen eller sætter stikket i stikkontakten, mens afbryderen er tændt, er der risiko for ulykker.
  - d) **Fjern justeringsnøgler og lignende fra elværktøjet, før du tænder det.** Justeringsnøgler, der sidder på elværktøjets roterende dele, kan resultere i personskade.
  - e) **Undgå at række for langt. Sørg for at have et godt fodfæste og underlag.** Det giver bedre kontrol over elværktøjet i uventede situationer.
  - f) **Brug egnet arbejdstøj. Undgå løse bekædningsgenstande eller smykker. Hold hår og tøj væk fra dele, der bevæger sig.** Hold hår, tøj og handsker på afstand af de bevægelige dele. Løstsiddende tøj, smykker eller langt hår kan blive fanget af de bevægelige dele.
  - g) **Hvis værktøjet leveres med støvpose og adapter til støvudsugning, skal du kontrollere, at delene er tilsluttet korrekt.** Disse enheder mindsker risikoen for skader på grund af støv.
  - h) **Selvom du kender værktøjet godt og er vant til at bruge det, skal du alligevel være opmærksom og overholde sikkerhedsanvisningerne.** Et øjeblikks uopmærksomhed kan medføre alvorlige personskader.
- ## 4) BRUG OG VEDLIGEHOLDELSE AF ELVÆRKTØJ
- a) **Undlad at presse elværktøjet. Brug det korrekte elværktøj til opgaven.** Du opnår en bedre og mere sikker drift, hvis du anvender det korrekte elværktøj ved den anbefalede hastighed.
  - b) **Undlad at bruge elværktøjet, hvis afbryderen ikke slår værktøjet til og fra.** Elværktøj, der ikke kan kontrolleres ved hjælp af afbryderen, er

farligt og skal repareres.

- c) **Træk stikket på værktøjet ud fra strømkilden og/eller batteripakken, inden der foretages justeringer, udskitning af dele eller opbevaring af værktøjet.** Disse forholdsregler mindsker risikoen for utilsigtet start af elværktøjet.
  - d) **Opbevar elværktøj utilgængelig for børn, og lad aldrig personer, der ikke er fortrolige med elværktøjet eller disse anvisninger, bruge elværktøjet.** Elværktøj er farligt, hvis det bruges forkert.
  - e) **Vedligehold elværktøjet. Kontrollér, om de bevægelige dele er korrekt justeret eller går tungt, om dele er gået i stykker og enhver anden tilstand, som kan påvirke elværktøjets funktion. Hvis elværktøjet er beskadiget, skal det repareres inden brug.** Mange ulykker forårsages af dårligt vedligeholdt elværktøj.
  - f) **Hold værktøjet skarpt og rent.** Korrekt vedligeholdt elværktøj med skarpe klinger sætter sig ikke fast og er nemmere at kontrollere.
  - g) **Brug elværktøjet, tilbehøret og eventuelle bits i henhold til disse anvisninger og på en passende måde for den pågældende type elværktøj. Tag altid højde for arbejdsomgivelserne og den forhåndenværende opgave.** Hvis elværktøjet bruges til andre opgaver end den, det er beregnet til, kan det medføre farlige situationer.
  - h) **Hold håndtag og gribeblader tørre, rene og fri for olie og smørefedt.** Hvis håndtag og gribeblader er glatte, kan værktøjet ikke håndteres og styres sikkert, hvis der sker noget uventet.
- 5) **BRUG OG ANVENDELSE AF BATTERIVÆRKTØJ**
- a) **Oplad kun med den oplader, der er angivet af producenten.** En oplader, der passer til en type batterienhed kan forårsage risiko for brand, hvis den bruges sammen med en anden batterienhed.
  - b) **Brug kun de el-værktøjer, der er specifikt angivet til batterienhederne.** Brug af andre batterienheder kan udgøre en risiko for skade og brand.
  - c) **Når batterienheden ikke bruges, skal du holde den væk fra andre metalgenstande som f.eks. papirclips, mønter, nøgler, søm, skruer eller andre mindre metalgenstande, der kan skabe forbindelse mellem en klemme til en anden.** Kortslutning af batteriklemmer kan forårsage brandsår eller brand.
  - d) **Ved forkert brug kan der sprøjte væske ud af batteriet; undgå kontakt.** Hvis der sker kontakt ved et uheld, skal du straks skylle med vand. Hvis der kommer væske i øjnene, skal du også søge lægehjælp. Væske, der sprøjtes ud fra batteriet, kan medføre irritation eller forbrænding.
  - e) **Brug ikke akkuer eller værktøj, som er beskadiget eller modificeret.** Beskadigede

eller modificerede akkuer kan opføre sig uforudsigeligt og forårsage brand, eksplosion eller fare for personskade.

- f) **Akkuer eller værktøj må ikke udsættes for ild eller meget høje temperaturer.** Ild eller temperaturer over 130 °C kan medføre eksplosion.
  - g) **Følg alle instruktioner for opladning. Akkuen må ikke oplades ved temperaturer uden for det område, der er angivet i instruktionerne.** Forkert opladning eller opladning ved temperaturer uden for det angivne område kan medføre skader på akkuen og forøge brandfaren.
- 6) **SERVICE**
- a) **Service på elværktøjet skal udføres af en autoriseret reparatør ved hjælp af originale reservedele.** Dette sikrer, at elværktøjet er sikkert at bruge.
  - b) **Beskadigede akkuer må aldrig repareres.** Reparation af akkuer må kun udføres af producenten eller autoriserede reparatører.

## ADVARSEL OM MOTORSAVSIKKERHED

1. Hold motorsaven i tilstrækkelig afstand fra luftledningen.
2. Vær opmærksom på faren ved driftsstilling såvel som risikoen for, at der falder grene eller buler, der rammer jorden, og føreren kan blive ramt af faldende grene eller stødende grene efter at have ramt jorden. Slet grene i hvert afsnit.
3. For at reducere risikoen skal tilstedeværende holdes på sikker afstand af maskinen under driften.
4. Sørg for et solidt fodfæste og god balance under drift. Brug den medfølgende sele.
5. Brug PPE under drift, herunder hørelse beskyttelse, øjenværn (visir eller briller) og hovedbeskyttelse og beklædning.





## BATTERISIKKERHED SIKKERHEDSFORSKRIFTER TIL BATTERISÆT

- a) **Sekundærelementer eller batterisæt må ikke skilles ad, åbnes eller knuses.**
- b) **Et batterisæt må ikke kortsluttet. Batterisæt må ikke opbevares lemfædigt i en kasse eller skuffe, hvor de kan kortslutte hinanden eller kortsluttet af ledende genstande.** Når batterisættet ikke er i brug, skal det holdes væk fra andre metalgenstande, såsom papirclips, mønter, nøgler, søm, skruer eller andre små metalgenstande, der kan skabe en forbindelse fra en pol til en anden, Kortslutning af batteripoler kan medføre forbrændinger eller brand.



- c) Batterisæt må ikke udsættes for varme eller ild. Må ikke opbevares i direkte sollys.
- d) Batterisæt må ikke udsættes for mekaniske stød.
- e) I tilfælde af at et batteri lækker, må væsken ikke komme i kontakt med huden eller øjne. Hvis der er sket kontakt, skal det berørte område vaskes med rigelige mængder vand, hvorefter der søges lægehjælp.
- f) Opbevar batterisæt på et rent og tørt sted.
- g) Aftør batterisættets poler med en tør klud, hvis de bliver snavsede.
- h) Batterisæt skal oplades før anvendelsen. Anvend altid den korrekte oplader, og læs producentens anvisninger eller brugervejledning for, hvordan batterierne oplades korrekt.
- i) Et batterisæt må ikke efterlades til opladning i længere tid, hvis det ikke anvendes.
- j) Efter længere opbevaringsperioder kan det være nødvendigt at oplade eller aflade batterisættet flere gange for at op den optimale ydelse.
- k) Genoplad kun med laderen specificeret af Kress. Anvend ingen anden oplader end den, der specifikt er beregnet til brug med udstyret.
- l) Brug kun det korrekte batteri til udstyret.
- m) Batterisættet skal opbevares utilgængeligt for børn.
- n) Opbevar den originale produktlitteratur til fremtidig brug.
- o) Batterisættet skal fjernes fra udstyret, når det ikke er i brug.
- p) Bortskaffes på en miljørigtig måde.
- q) Bland ikke batterier af forskellig fremstilling, kapacitet, størrelse eller type i enheden.
- r) Hold batteriet væk fra mikrobølgeovne og højt tryk.
- s) Advarsel! Brug ikke genopladelige batterier.

## GEM DISSE INSTRUKTIONER


## SYMBOLER

	For at undgå risikoen for personskader skal brugeren læse brugervejledningen
	Advarsel
	Bær hørevern
	Bær øjenværn

	Bær støvmaske
	Bær hjelm
	Bær beskyttelseshandsker
	sikkerhedssko
	Hold en tilstrækkelig afstand fra netledningen
	Lithium-ion-batteri. Dette produkt er markeret med symbolet "samlet separat" med alle batteripakker og batteripakker. Genanvend derefter eller fjern det for at reducere påvirkningen på miljøet. Batteripakken indeholder skadelige stoffer, der kan være skadelige for miljøet og menneskers sundhed.
	Må ikke brændes.
	Hvis det ikke håndteres korrekt, kan batteriet muligvis komme ind i vandcyklussen, hvilket kan forårsage skade på økosystemet. Bortskaf ikke brugte batterier som usorteret kommunalt affald.
	Affald af elektriske produkter må ikke bortskaffes sammen med husholdningsaffald. Indlever så vidt muligt produktet til genbrug. Kontakt de lokale myndigheder eller forhandleren, hvis du er i tvivl.
	Miljøvenlig bortskaffelse. Udtjente elektriske apparater må ikke bortskaffes sammen med almindeligt affald, men skal bortskaffes separat. Afhændelse på godkendte genbrugsstationer er gratis. Ejeren af udtjente apparater er ansvarlige for at bringe dem til disse indsamlingssteder eller til lignende steder. Med denne personlige indsats bidrager du til genanvendelse af værdifulde råvarer og behandling af giftige stoffer.

	Lås
	Låse

## SAMLING OG BETJENINGS

 **Noter:** Før du bruger dette værktøj, læs instruktionsbogen omhyggeligt.

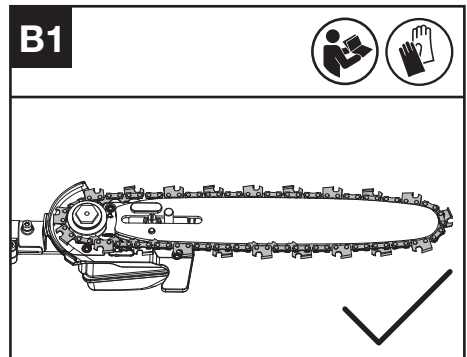
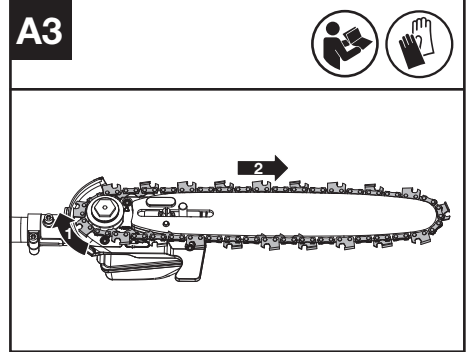
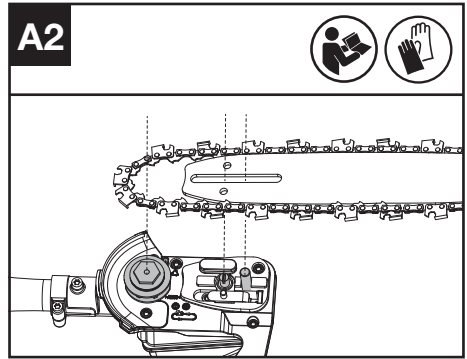
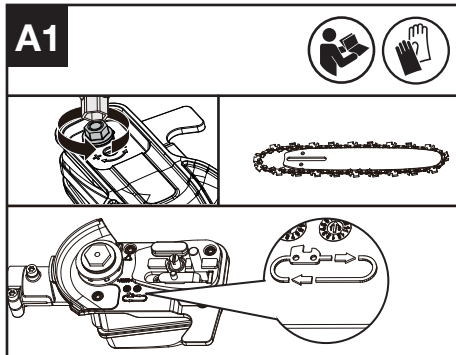
## MONTERING

 **WARNING!** Installer ikke batteriet, før den er helt samlet.

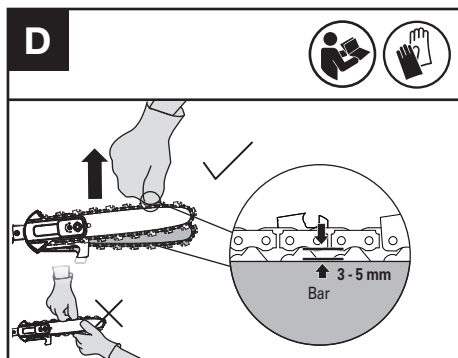
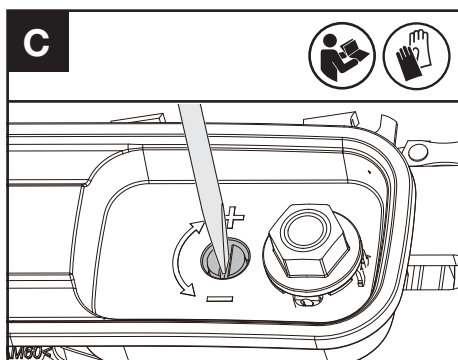
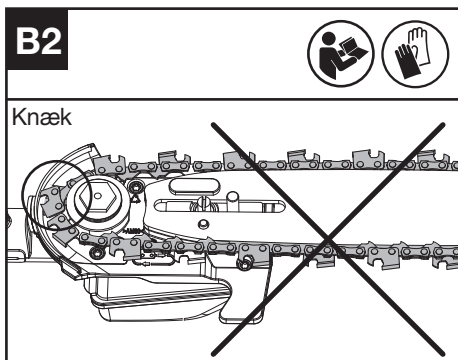
Brug altid handsker, når du håndterer med savekæden.

### SAMLING AF KÆDE OG SVÆRD

1. Løs sekskantmøtrikken for at fjerne drevdækslet. Sæt kæden i rillen rundt om sværdet. Sørg for, at kæden roterer i den rigtige retning. (se fig. A1)
2. Sæt kæden på kædehullet, så sværdets positioneringsbolt på fiberklodsen passer ind i kilesporet i åbningen på sværdet. (se fig. A2, A3).
3. Sørg for, at alle delene sidder rigtigt. Sørg for, at drevleddene sidder helt fast i drevhjulet (se fig. B1), og undgå et knæk som vist i fig. B2. Hvis der opstår knæk, trækker du kæden opad på sværdet lige foran knækket og retter derefter knækket ud. **BEMÆRK:** Kæden skal kunne dreje frit, men det skal kræve en vis kraft at dreje den
4. Sæt drevdækslet på, og spænd sekskantmøtrikken.



DK



**! PAS PÅ! Kæden er endnu ikke stram.**  
**Stramning af kæde skal ske som beskrevet under "Stramning af kæde".** Kontroller nu at kæden er korrekt spændt.

### STRAMNING AF KÆDEN (SE FIG. C, D)

**BEMÆRK:** Nye savkæder vil sidde fast på sværdet, når de bruges første gang. Kontrollér regelmæssigt kædespændingen under første brug, og stram kæden, hvis den ligger for løst omkring sværdet.

- Fjern batteripakken, inden du justerer savkædens spænding.
- Kædens skær er skarpe. Brug beskyttelseshandsker ved håndtering af kæden.
- Sørg altid for, at kæden er spændt ordentligt. En løs kæde kan springe ud af rillen på sværdet. Dette kan skade brugeren og beskadige kæden. En løs kæde gør at kæden, sværdet og hjulet slides hurtigere.

1. Placer stangsaven på en passende plan overflade, og løsn sekskantmøtrikken.
2. Drej skruen til kædestramning med uret, indtil skruen sidder stramt. (se fig. C)

**BEMÆRK:** Stramningen øges automatisk, når skruen til kædestramning drejes med uret. Spænd derefter sekskantmøtrikken godt fast.

3. Kontroller, at kæden er strammet ordentligt med skruen til kædestramning. Den rigtige kædespænding er nået, når kæden (med et let træk) midt på sværdet kan hæves med cirka halvdelen af drevleddets dybde. Dette gøres ved at bruge den ene hånd med handsker til at hæve kæden mod maskinens vægt. (se fig. D) Spænd derefter sekskantmøtrikken helt til.

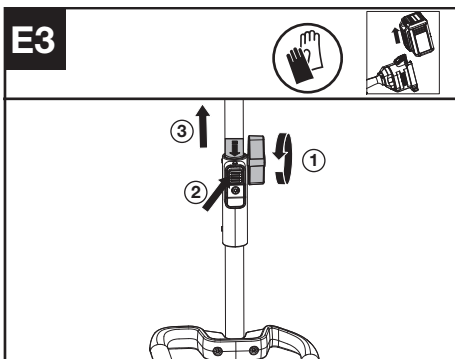
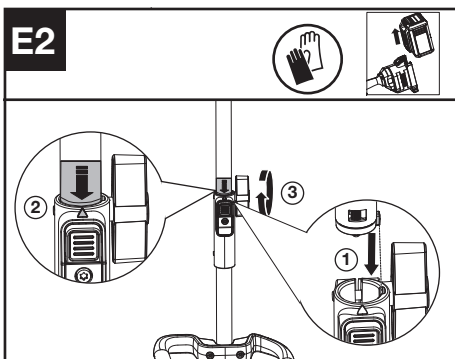
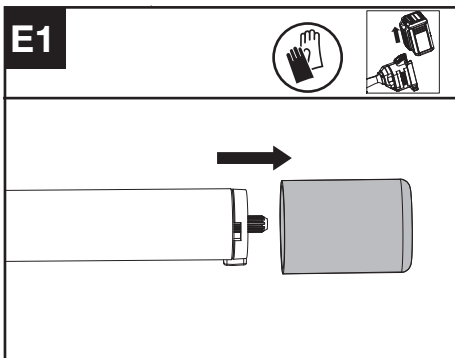
**BEMÆRK:** Kæden er korrekt spændt, når den kan løftes af sværdet, og drevleddet er inden for sværdets skinne.

**BEMÆRK:** Kæden vil løse sig under skæringen og miste den rette spænding. Når kæden bliver løs, løsnes sekskantmøtrikken, skruen til kædestramning spændes igen, og sekskantmøtrikken spændes igen for at nulstille kædespændingen korrekt ved at følge trin 1 til 3, som beskrevet tidligere

### Montering og afmontering af tilbehør (SE Fig. E1, E2, E3)

1. Fjern beskyttelseshætten fra enden af påsatsskaftet.
2. Få trekanten på knappen til at flugte med pilen på mærkaten på påsatsskaftet for at samle delene.
3. Skub delene sammen, indtil der lyder et klik. Kanten af mærkaten med pilen skal være tæt på soklen, som påsatsskaftet er sat ind i. (Bemærk: Hvis beskæringssavens skaft ikke kan sættes helt ind i motorenheden, skal du beskæringssavens hoved lidt, indtil det er muligt at sætte skaftet helt ind).
4. Spænd til sidst vingemøtrikken med uret.
5. Adskil ved at løsne vingemøtrikken mod uret, og tryk derefter udløserknappen ind, og træk delene fra hinanden. Sæt beskyttelseshætten på påsatsskaftet for at undgå, at der kommer støv og snavs ind i det.





**BEMÆRK:** Kædens levetid og skæreevne afhænger af, hvor godt den smøres. Derfor smøres kæden automatisk med olie under brug.

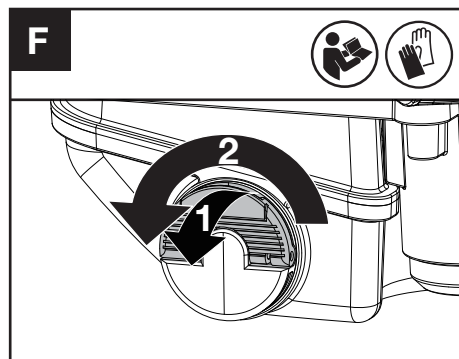
## PÅFYLDNING AF OLITANK:

**⚠ ADVARSEL:** Fjern batteripakken, inden du påfylder olietanken.

1. Stil stangsaven på en egnet overflade med dækslet til oliepåfyldning vendt opad.
2. Rengør området omkring dækslet til oliepåfyldningen med en klud, og skru dækslet af ved at dreje det mod uret.
3. Tilsæt sværd- og kædeolie, indtil tanken er næsten helt fuld.
4. Undgå, at der kommer skidt eller snavs ind i olietanken, sæt dækslet på igen, og stram det ved at dreje med uret, indtil det er stramt.

**⚠** Det er vigtigt at bruge smøremiddel til sværd og kæde (ikke bilolie), der er fremstillet til at fungere over et bredt temperaturområde uden behov for fortynding. Du kan finde dette på det samme sted, som du købte saven, eller i dit lokale byggemarked. Brug ikke beskidte, brugte eller på anden vis forurenede olier. Der kan opstå skader på sværdet eller kæden. Brug af olie til sværd og kæde, der ikke er godkendt, medfører bortfald af garantien. Opbevar olie utilgængeligt for børn. Ved indtagelse skal der straks søges læge. Opbevares væk fra varme eller åben ild.

DK



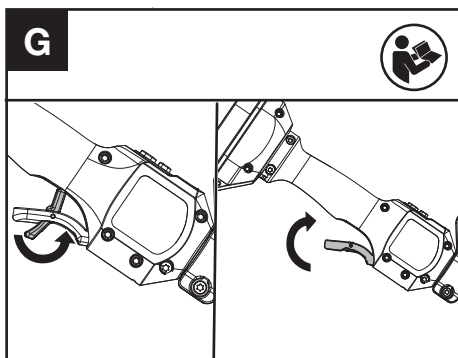
## BETJENINGSVEJLEDNING

Start af beskæringssav

Monterings- og adskillelsesinformation for forlængerakslen, henvis venligst til billeder E1, E2 og E3.

## KÆDESMØRING (SE FIG. F)

**⚠ VIGTIGT:** Stangsaven er ikke fyldt med sværd- og kædeolie. Det er vigtigt at påfylde sværd- og kædeolie inden brug. Start aldrig stangsaven uden sværd og kædeolie og lad ikke oliebeholderen blive tom, da dette vil medføre alvorlig skade på produktet.



1. Skub først sikkerhedsknap fremad, og tryk derefter og hold gashåndtag inde for at starte maskinen.

**BEMÆRK:** Flere detaljer kan findes i strømprehovedets manual.

## SKÆRING

**⚠ VIGTIGT:** Kontroller olietanken med jævne mellemrum. Kontroller, at kæden er strammet korrekt, hver gang du skifter batteri.

- (1) Installation af batteripakken i maskinen.
- (2) Lad ikke kæden komme i kontakt med jorden under arbejdet, da det vil gøre kæden sløv.
- (3) Brug begge hænder til at holde saven.
- (4) Sørg for, at du står fast. Hold fødderne i skulderbredde. Fordel din vægt jævnt på begge fødder.
- (5) Når du er klar til at skære, skal du følge ovenstående startprocedurer og hastighedsvalg. Dermed tændes saven. Slip tænd/sluk-knappen for at stoppe saven. Lad saven opnå fuld hastighed, inden du begynder at save.
- (6) Når du begynder at skære, skal du langsomt sætte den bevægelige kæde mod træet. Træet skal være så tæt på skærehovedet som muligt. Hold saven sikkert på plads for at undgå, at den hopper eller skrider (sidelæns bevægelse).
- (7) Før saven med et let tryk, og anvend ikke for meget kraft på saven, men lad den gøre arbejdet. Motoren vil blive overbelastet og kan brænde sammen. Den vil gøre arbejdet bedre og mere sikkert med den belastning, som den er udformet til.
- (8) Fjern saven fra savesporet, mens saven kører med fuld hastighed. Stop saven. Kontroller, at kæden er holdt op med at rotere, før du stiller saven fra dig.
- (9) Øv dig på stumper af træ i et sikkert arbejdsområde, indtil du er tryk ved at bruge en flydende bevægelse og en jævn skærehastighed.

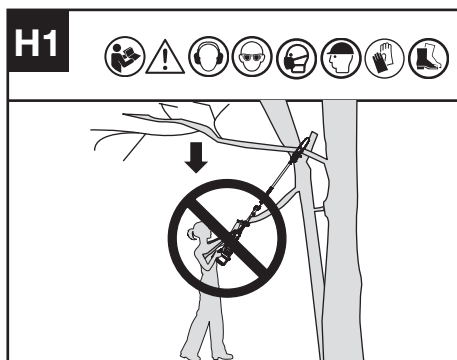
## SIKKERHEDSANORDNINGER MOD TILBAGESLAG FOR DENNE SAV

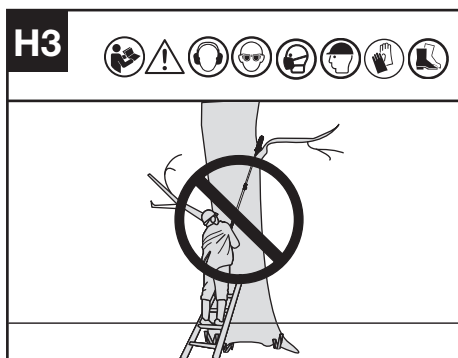
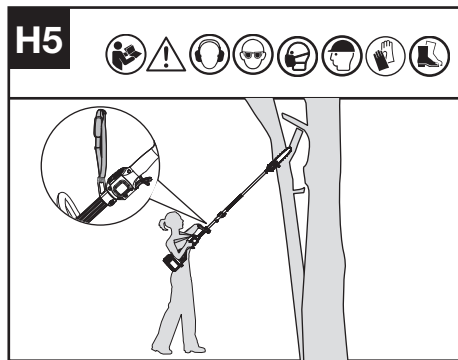
Denne sav har en kæden med lav risiko for tilbageslag og en savsværd med reduceret tilbageslag. Begge

- dele reducerer chancen for tilbageslag. Men tilbageslag kan stadig forekomme med denne sav. De følgende trin vil reducere risikoen for tilbageslag.
- Brug begge hænder til at gribe om saven, mens den kører. Brug et fast greb.
  - Sørg for, at alle sikkerhedsanordninger er monteret på saven. Sørg for, at de fungerer korrekt.
  - Sørg hele tiden for at have et godt fodfæste og balance.
  - Stil dig lidt til venstre for saven. Dette gør, at din krop ikke er i direkte linje med kæden.
  - Lad ikke sværdets spids røre ved noget som helst, når kæden roterer.
  - Begrav ikke sværdets spids, og forsøg ikke at skære nedad (bore i træ med sværdets spids).
  - Hold øje med træ, der bevæger sig, eller andre påvirkninger, der kan presse kæden sammen.
  - Vær yderst forsigtig, når du genoptager skæringen i en tidligere udskæring.
  - Brug kun kæder med lav risiko for tilbageslag og det sværd, som fulgte med maskinen, eller som anbefales.
  - Brug aldrig en sløv eller løs kæde. Hold kæden skarp med den rette spænding.

## BESKÆRING AF HØJE GRENE

1. Installation af batteripakken i maskinen.
2. Inden du skærer en høj gren over, skal du være særligt opmærksom på den forventede bane for den faldende gren. **ADVARSEL:** Stå ikke direkte under en gren, der skal skæres. Hold omkringstående personer på afstand. Stå ikke på en stige eller anden form for usikker støtte, mens du bruger værktøjet. Brug ikke værktøjet i nærheden af kabel-, strøm- eller telefonledninger. Hold 3 m afstand til alle strømledninger. (Se Fig. H1-H4)





### TRIMME ET TRÆ (BESKÆRING)

**ADVARSEL:** Undgå tilbageslag. Tilbageslag kan resultere i alvorlige ulykker eller død.

Se Tilbageslag, for at undgå tilbageslag.

**ADVARSEL:** Brug ikke stangsaven

- i et træ,
- på en stige eller en anden ustabil overflade
- i en akavet position

Du kan miste kontrollen over stangsaven og komme alvorligt til skade.

**FORSIGTIG:** Søg professionel hjælp, hvis du står over for forhold uden for din evne.

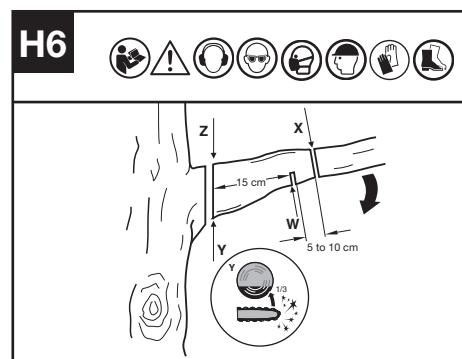
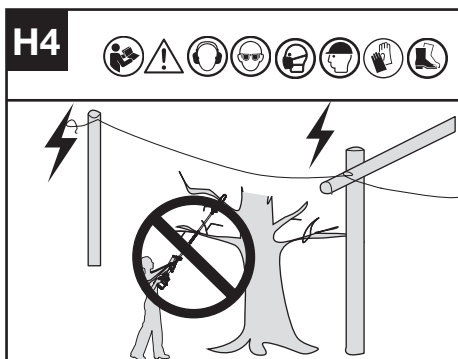
Trimning af et træ er processen med at skære grene fra et levende træ. Sørg for at du har solidt fodfæste.

Spred fødderne med en skulderbreddes afstand.

For del vægten jævnt på begge fødder.

Følg nedenstående anvisninger til trimning af et træ.

1. Lav den første skæring et par centimeter (c) fra træstammen på undersiden af grenen. Brug toppen af sværdet til at lave denne udskæring. Skær 1/3 gennem diameteren på grenen (se fig. H6).



2. Flyt et par centimeter (30 % af c) længere op på grenen. Lav den anden udskæring fra den øverste gren. Fortsæt med at skære, indtil du har skåret grenen af.
3. Lav den tredje skæring så tæt på stammen som muligt, så den resterende stump skæres helt af.

3. Hold ved beskæringssaven med begge hænder, når du saver grene af.

Brug bunden af sværdet til at lave dette snit.

## Til batteriredskaber

Den anbefalede temperatur for afladning er  $-20^{\circ}\text{C}$  ~  $45^{\circ}\text{C}$ .

Det anbefalede omgivelsestemperaturområde for opladningssystemet under opladningen er  $-5^{\circ}\text{C}$  ~  $45^{\circ}\text{C}$ .

# TRANSPORT

## Transportering af stangsav

1. Sluk stangsaven, og tag batteriet ud.
2. Når du transporterer din stangsav i hånden, skal du holde i stangen på stangsaven og sørge for, at maskinen er parallel med jorden, og at stangen vender bagud.
3. Når du transporterer stangsaven i et køretøj, skal den fastspændes og placeres, så den ikke kan vælte eller blive beskadiget.

# VEDLIGEHOLDELSE AF SAVEN OG SIKKERHED

Følg vedligeholdelsesvejledningerne i denne vejledning. God rengøring og vedligeholdelse af sav, kæde og sværd kan reducere risikoen for slitage. Efterse og vedligehold saven efter hvert brug. Dette forlænger savens levetid. Hvis saven bliver våd i regnvejr, skal den og batteripakken tørre helt, inden den oplades eller stilles til opbevaring.

# VEDLIGEHOLDELSE OG OPBEVARING AF STANGSAV

## 1. Fjern batteripakken

- Når den ikke er i brug
- Inden du flytter den fra et sted til et andet
- Inden vedligeholdelse
- Inden du skifter tilbehør eller redskaber, såsom savkæde og sværd

## 2. Efterse stangsaven før og efter hver brug.

Kontrollér saven omhyggeligt, for at se, om skærmen eller andre dele er blevet beskadiget. Kontrollér, om der er skader, som kan påvirke brugerens sikkerhed eller savens funktion. Kontrollér, om de bevægelige dele er justeret korrekt eller sidder stramt. Tjek for defekte eller beskadigede dele. Brug ikke stangsaven, hvis skader kan påvirke sikkerheden eller driften. Få skaden repareret af et autoriseret servicecenter.

## 3. Vedligehold stangsaven omhyggeligt.

- Sørg for, at kæden er skarp, ren og smurt, så den fungerer bedre og mere sikkert.
  - Følg trinene i denne vejledning for at slibe kæden.
  - Hold håndtagene tørre, rene og fri for olie og fedt.
  - Sørg for, at alle skruer og møtrikker er stramme.
- ## 4. Ved servicering må der kun bruges originale

reserveredele.

## 5. Når stangsaven ikke er i brug, skal den altid stilles væk

- på et højt eller aflåst sted, uden for børns rækkevidde
- på et tørt sted
- med den beskyttende skede på plads

## VEDLIGEHOLDELSE AF SVÆRDET

For at maksimere levetiden af sværdet, anbefales følgende vedligeholdelse af sværdet.

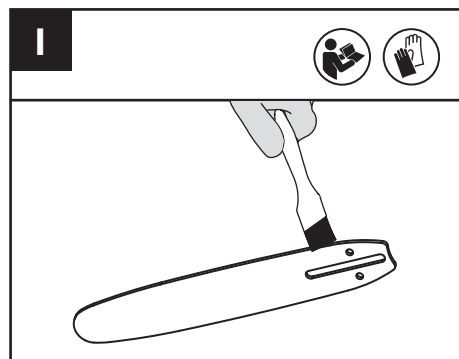
Sværdskinnerne der bærer kæden skal rengøres før opbevaring af værktøjet eller hvis sværdet eller kæde synes at være beskidt.

Skinnerne skal rengøres hver gang kæden fjernes.

Det kan være nødvendigt at afgrate skinnerne af og til med en flad fil.

## SÅDAN RENGØRES SVÆRDETS SKINNER

1. Fjern kædedækslet, sværdet og kæden. (Se afsnittet SAMLING).
2. Rengør ved hjælp af en stålborste, skruetrækker eller lignende egnet værktøj, skidt fra skinnerne. (Se Fig. I)
3. Sørg for at rense oliekanalerne grundigt



## FORHOLD, DER KRÆVER

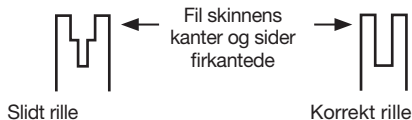
## VEDLIGEHOLDELSE AF KÆDE OG SVÆRD:

- Saven skærer til den ene side eller i en vinkel.
- Saven skal presses gennem udskæringen.
- Utilstrækkelig tilførsel af olie til sværd og kæde.

Tjek tilstanden af sværdet hver gang kæden slibes. Et slidt sværd vil beskadige kæden og gør det svært at save.

Efter hver brug med enhed frakoblet fra strømforsyningen, skal den rengøres for al savsmuld på sværdet og tandhjulshullet.

Brug en flad fil til at gendanne lige kanter og sider, hvis skinnen foroven er ujævn.



Udskift sværdet når rillen er slidte, sværdet er bojet eller knækket, eller når den overophedes eller afgratning af skinnerne opstår. Hvis udskiftning er nødvendig, skal du kun bruge det sværd, der er specificeret til din sav i reservedelslisten eller på klistermærket på polsaven.

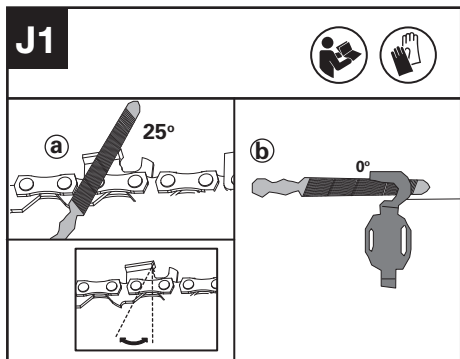
## UDSKIFTNING/VENDING AF SAVEKÆDE OG SVÆRD

Udskift kæden når savtænderne er for nedslidte til at blive slibet eller når kæden stopper. Brug kun korrekt kæde som nævnt i denne brugsvejledning. Kontrollér sværdet inden slibning af kæden. Et slidt eller beskadiget sværd er farligt. Et slidt eller beskadiget sværd vil skade kæden. Det vil også gøre det meget sværere at save.

### SLIBNING AF SAVEKÆDEN

**⚠ ADVARSEL: Fjern batteripakken fra saven før eftersyn. Alvorlig skade eller dødsfald kan forekomme, som følge af elektrisk stød eller kropskontakt med en kæde i bevægelse. Skærekanterne på kæden er meget skarpe. Brug beskyttelseshandsker, når du skal røre ved kæden.** Hold kæden skarp. Din sav vil save hurtigere og mere sikkert. En sløv kæde vil medføre unødigt slid på kædehjul, sværd, kæde og motor. Hvis du skal tvinge kæden ind i et træ og savning kun skaber savsmuld med få store spåner, er kæden sløv.

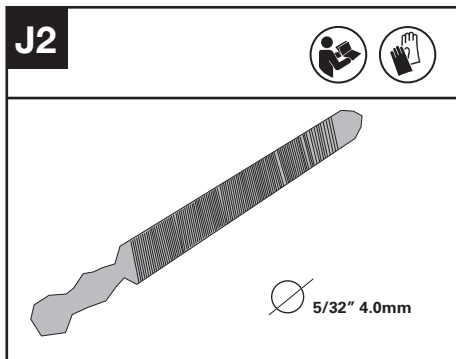
Før slibning skal du være opmærksom på følgende: ( Se Fig J1)



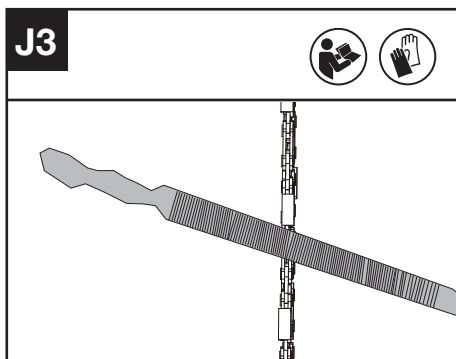
a: Filevinkel; b: filens position.

### Sådan slibes kædens tænder

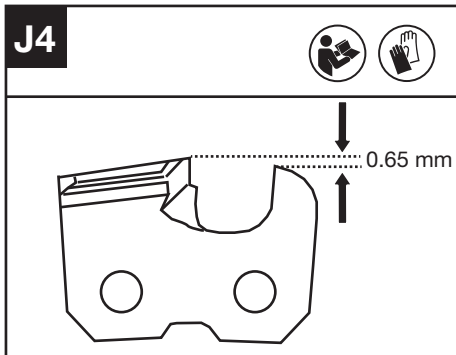
1. Slib skæret med en rund fil. (Se fig. J2). **BEMÆRK:** Spænd sværdet fast i en skruestik, før kæden slibes. Sørg for, at kæden ikke binder og frit kan bevæge sig på sværdet. Sørg for, at kæden er ordentligt spændt. (Se afsnittet "Stramning af kæden").



2. Skærene på indersiden af skæretænderne skal slibes med en fil mod ydersiden af kæden. (Se Fig. J3).



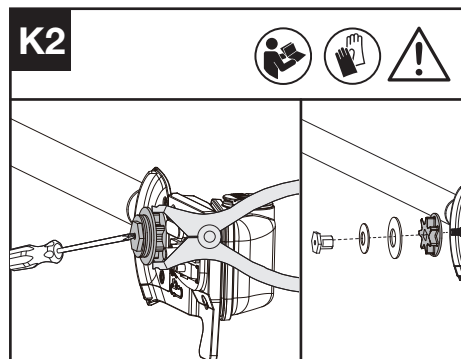
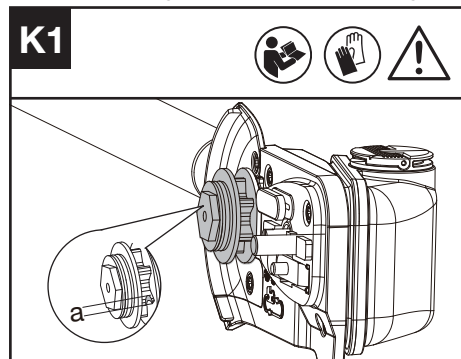
3. Slib alle skærene på den ene side af sværdet med en fil.
4. Vend motorsaven om, og fil alle skærene på den modsatte side.
5. Sørg for, at alle skæretænder er lige lange. For at sikre en effektiv, sikker og jævn skæring skal dybdemåleren files til en højde på 0,65 mm. Sørg for, at dybdemålerens forkant afrundes. (Se Fig. J4)



# EFTERSE OG VEDLIGEHOLDE KÆDEHJULET

**⚠ ADVARSEL:** Før eftersynet skal du slukke for stangsaven og fjerne batteriet.

1. Afmonter dækslet til kædehjulet, savkæden og sværdet.
2. Kontroller, om slidmærkerne er dybere end  $a=0,5$  mm som vist i fig. K1. Hvis det er tilfældet, skal kædehjulet udskiftes. (se Fig. K1)
3. Når du udskifter kædehjulet, skal du fastholde det med en tang og bruge en skruetrækker til at løsne skruen og udskifte kædehjulet. (se Fig. K2)



## RENGØRING

1. Sluk stangsaven, og tag batteriet ud.
2. Brug ikke aggressive rengøringsmidler eller opløsningsmidler. Rengør maskinen efter brug med en fugtig klud dyppet i et mildt rengøringsmiddel.
3. Hold batteriterminalerne fri for fremmedlegemer og snavs, og rengør dem med en blød, tør børste eller klud.
4. Sprøjt ikke vand ind i motoren og de elektriske komponenter.
5. Brug ikke en højtryksrenser til rengøring af din

maskine.

## OPBEVARING

1. Fjern batteripakken fra stangsaven inden opbevaring.
2. Opbevar stangsaven på et tørt og sikkert sted, som børn og uautoriserede personer ikke har adgang til.
3. Hvis maskinen har været brugt i regnvejr, skal maskinen og batteriet tørres helt inden det oplades eller stilles til opbevaring. Tag batteripakken ud, og sæt den i igen, hvis maskinen ikke kan tændes.

# FEJLFINDING

Efterfølgende tabel indeholder fejlsymptomer, den mulige årsag samt den korrekte afhjælpning, hvis el-værktøjet ikke fungerer som det skal. Hvis du ikke kan finde/løse problemet hermed, bedes du kontakte serviceforhandleren.



**ADVARSEL: Sluk for værktøjet og tag batteriet ud, før du begynder at lede efter fejlen.**

Symptom	Mulig årsag	Afhjælpning
Stangsagen kan ikke betjenes	Batteriet er afladet	Oplad batteriet.
Stangen så intermitterende drift	Overopvarmning	Anbring maskinen på et køligt, ventileret sted for at afkøle den.
	Der presses meget under skæring	Pres relativt mindre under skæring.
	Ekstern løs forbindelse	Kontakt et autoriseret værksted
	Intern løs forbindelse	
	Tænd/sluk-knappen er defekt.	
Savekæden er tør.	Olietanken er tom	Fyld tanken op med olie
	Udluftning i dæksel til oliepåfyldning er tilstoppet	Rengør dækslet
	Olieudløbskanalen er tilstoppet	Rens olieudløbskanalen
Kæden/styreskinnen er varm.	Olietanken er tom	Fyld tanken op med olie
	Udluftning i dæksel til oliepåfyldning er tilstoppet	Rengør dækslet
	Olieudløbskanalen er tilstoppet	Rens olieudløbskanalen
	Kædespændingen er for høj	Indstil kædespændingen
	Kæden er uskarp	Slib eller udskift kæden
Ekstrem savrivning, vibration, sav er ikke korrekt	Kædespændingen er for løs	Indstil kædespændingen
	Kæden er uskarp	Slib eller udskift kæden
	Kæden er slidt	Erstat kæden
	Savetænderne peger i den forkerte retning	Montér savekæden igen, så tænderne vender i den rigtige retning

DK

## TEKNISK DATA

	KAC361
Sværdlængde	25 cm
Kædehastighed	Høj: 17 m/s Lav: 13 m/s
Påfyldningsmængde oliebeholder	160 ml
Kædedeling	3/8" LP
Kædemåler	1.1 mm
Beskyttelsesklasse	IPX4
Maskinens vægt	1.8 kg

# KOMBINATIONER AF SKÆREVÆRKTØJER

## SKÆREVÆRKTØJ

KAC333-10"/25cm 0.043"/1.1mm 3/8 LP sværd

KAC302-10"/25cm 0.043"/1.1mm 3/8 LP savekæde

KAC335-12"/30cm 0.043"/1.1mm 3/8 LP sværd

KAC304-12"/30cm 0.043"/1.1mm 3/8 LP savekæde

## INFORMATION MED FORLÆNGERAKSEL (KAC360)

### STØJINFORMATION

A-vægtet lydtryksniveau  $L_{pA} = 79$  dB(A)  
 $K_{pA} = 3.0$  dB(A)

A-vægtet lydeffektniveau  $L_{wA} = 94,1$  dB(A)  
 $K_{wA} = 1,1$  dB(A)

Bær høreværn.



DK

## VIBRATIONSinFORMATION

Den totale værdi for vibration (triax vektor sum) målt ifølge EN ISO 11680-1.

Værdi for vibration	$a_n = 1,3$ m/s <sup>2</sup>
	Usikkerhed $K = 1,5$ m/s <sup>2</sup>

## INFORMATION UDEN FORLÆNGERAKSEL STØJINFORMATION

A-vægtet lydtryksniveau  $L_{pA} = 82$  dB(A)  
 $K_{pA} = 3,0$  dB(A)

A-vægtet lydeffektniveau  $L_{wA} = 93$  dB(A)  
 $K_{wA} = 1,5$  dB(A)

Bær høreværn.



## VIBRATIONSinFORMATION

Den totale værdi for vibration (triax vektor sum) målt ifølge EN ISO 11680-1.

Værdi for vibration	$a_n = 1,87$ m/s <sup>2</sup>
	Usikkerhed $K = 1,5$ m/s <sup>2</sup>

Den erklærede samlede vibrationsstyrke kan bruges til at sammenligne et værktøj med et andet, og kan også bruges til en foreløbig vurdering af eksponeringen.

**!** **ADVARSEL:** Vibrationsværdien under den faktiske brug af maskinværktøjet kan afvige fra den opgivne værdi afhængigt af måderne, værktøjet benyttes på. Se følgende eksempler på, hvad vibrationerne kan afhænge af:

Hvordan værktøjet bruges og materialerne, der skæres eller bores i.

Værktøjets stand og vedligeholdelse.

Anvendelse af korrekt tilbehør og kontrol med, at det er skarpt og i en i det hele taget god tilstand.

Hvor kraftigt, der holdes fast i håndtaget og, om der benyttes antivibrationsudstyr.

Om værktøjet anvendes i henhold til dets konstruktion og nærværende anvisninger.

Værktøjet kan medføre et hånd/arm-vibrationssyndrom, hvis det ikke bruges på rigtig måde.

**!** **ADVARSEL:** En vurdering af udsættelsesgraden under det aktuelle brug skal omfatte alle dele af arbejds cyklussen, herunder antallet af gange værktøjet slås til og fra, og tomgangsdriften uden for selve arbejdsopgaven. Dette kan afgørende reducere udsættelsesniveauet i den samlede arbejdsperiode.

Sådan kan du minimere risikoen for udsættelse for vibrationer:

Brug ALTID skarpe mejsler, bor og blade.

Vedligehold værktøjet i overensstemmelse med disse instruktioner og hold det korrekt smurt (hvor det er nødvendigt).

Hvis værktøjet bruges ofte, bør du anskaffe antivibrationsudstyr.

Planlæg dit arbejde, så du kan fordele arbejde med kraftige vibrationer over flere dage.

## MILJØBESKYTTELSE

Affald af elektriske produkter må ikke bortskaffes sammen med husholdningsaffald. Indlever så vidt muligt produktet til genbrug. Kontakt de lokale myndigheder eller forhandleren, hvis du er i tvivl.

## KONFORMITETSERKLÆRING

VI,  
Positec Germany GmbH  
Postfach 680194, 50704 Cologne, Germany

På vegne af Positec erklæres at produktet



**Beskrivelse:** Batteridrevet stangsav  
**Type:** KAC361 (361 – maskinbetegnelse,  
repræsentativ for stangsaven)  
**Funktioner:** Beskæring af høje grene

Er i overensstemmelse med følgende direktiver:  
**2006/42/EC, 2014/30/EU, 2011/65/EU &  
(EU)2015/863, 2000/14/EC ændret ved 2005/88/EC**

Afprøvningsorgan involveret  
Navn: Intertek Deutschland GmbH (Afprøvningsorgan  
0905)  
Adresse: Stangenstraße 1, 70771 LEINFELDEN-  
ECHTERDINGEN  
Certificeringsnummer.: 24SHW0160

**Information med forlængeraksel (KAC360)**

2000/14/EC ændret ved 2005/88/EC:  
- Konformitetstestprocedure pr. Anneks V  
- Målt niveau for lydeffekt 94 dB(A)  
- Deklareret garanteret niveau for lydeffekt 96 dB(A)

**Information uden forlængeraksel**

2000/14/EC ændret ved 2005/88/EC:  
- Konformitetstestprocedure pr. Anneks V  
- Målt niveau for lydeffekt 93 dB(A)  
- Deklareret garanteret niveau for lydeffekt 95 dB(A)

Standarder i overensstemmelse med:  
**EN 62841-1, EN ISO 11680-1, EN ISO 3744, EN  
IEC 55014-1, EN IEC 55014-2, EN IEC 63000**

DK

Personen, autoriseret til at udarbejde den tekniske fil,  
**Navn Marcel Filz**  
**Adresse Positec Germany GmbH**  
**Postfach 680194, 50704 Cologne, Germany**



2024/01/26  
Allen Ding  
Vicechef; Ingeniør, Test & Certificering  
Positec Technology (China) Co., Ltd.  
18, Dongwang Road, Suzhou Industrial  
Park, Jiangsu 215123, P. R. China

# SISÄLLYSLUETTELO

Johdanto.....	250
komponenttilista.....	251
Alkuperäiset ohjeet.....	252
Asennus & operaatio.....	255
Voitelu.....	257
Käyttö.....	257
Kuljetus.....	260
Sahan Huoltotoimenpiteet.....	260
Puhdistus.....	262
Varastointi.....	262
Vianmääritystaulukko.....	263
<b>FIN</b>	
Tekniset tiedot.....	263
Vaatimustenmukaisuusvakuutus.....	265

## JOHDANTO

Hyvä asiakas,

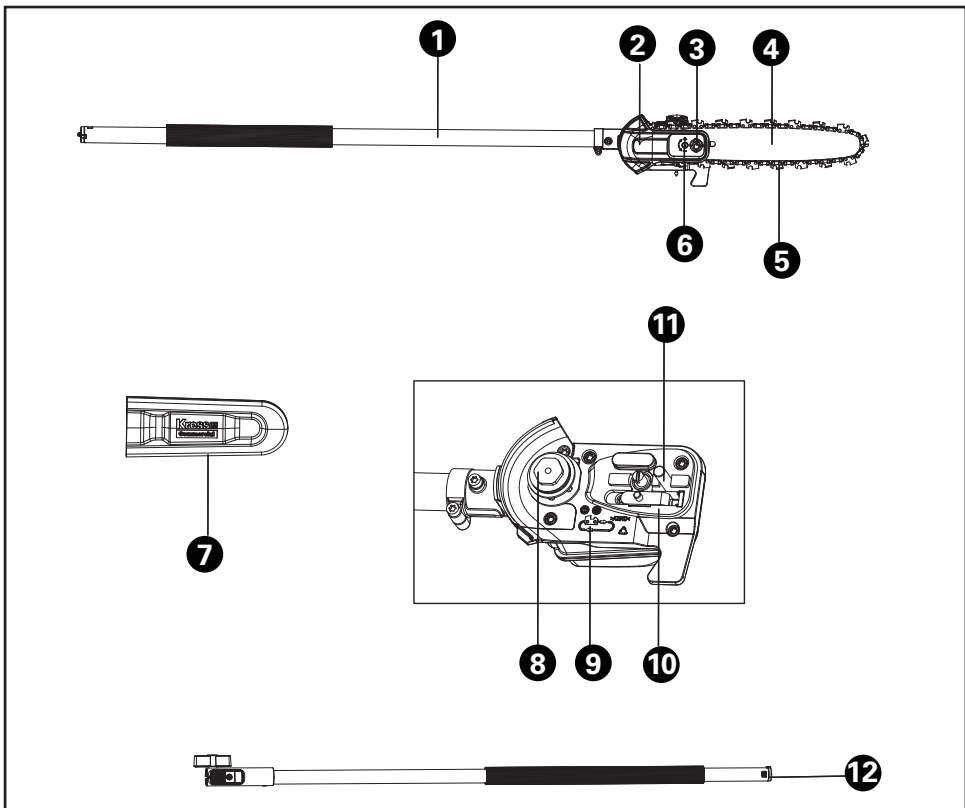
Kiitos, että olet ostanut tämän Kress Commercial-tuotteen. Olemme omistautuneet kehittämään korkealaatuisia tuotteita, jotka täyttävät kaupallisen maisemoinnin vaatimukset.

Kress-tuotemerkki on synonyymi korkealaatuiselle palvelulle. Jos sinulla on kysyttävää tai huolenaiheita tuotteestasi vuosien kuluessa, ota yhteyttä kauppiaseesi tai asiakaspalvelutiimiimme saadaksesi apua.

Olemme vakuuttuneita siitä, että nautit työskentelystä Kress-tuotteesi kanssa tulevien vuosien ajan..

## KÄYTTÖTARKOITUS

Yhdistettävissä KAC104 - Tehopään kanssa, tämä oksasaha on tarkoitettu käden ulottumattomissa olevien oksien karsimiseen ja siistimiseen. Kaikkien sahausten on oltava poikkisuuntaisia. Tämä tuote on tarkoitettu ainoastaan puun sahaamiseen.




## KOMPONENTTILISTA

- |     |                       |
|-----|-----------------------|
| 1.  | AKSELI                |
| 2.  | KYTKINKOTELO          |
| 3.  | KUUSIOMUTTERI         |
| 4.  | TERÄLEVY              |
| 5.  | KETJU                 |
| 6.  | KETJUN KIRISTYSRUUVI  |
| 7.  | SUOJAKOTELO           |
| 8.  | KETJUPYÖRÄ            |
| 9.  | KETJUN SUUNTASYMBOLI  |
| 10. | TERÄLEVYN ALUSTA      |
| 11. | TANGON KOHDISTUSTAPPI |
| 12. | JATKOVARSI *          |

\* Kuvissa esitetyt ja selostetut lisävarusteet eivät aina kuulu toimitukseen.

# ALKUPERÄISET OHJEET TURVALLISUUSOHJEET TUOTETURVALLISUUS YLEISET SÄHKÖTYÖKALUJEN TURVALLISUUTEEN LIITTYVÄT VAROITUKSET

 **VAROITUS** Lue kaikki tämän sähkötyökalun mukana toimitetut varoitukset, ohjeet, kuvat ja tekniset tiedot. Alla mainittujen ohjeiden noudattamisen laiminlyönti saattaa aiheuttaa sähköiskun, tulipalon ja/tai vakavan loukkaantumisen.

**Säilytä kaikki turvallisuus- ja muut ohjeet tulevaisuutta varten.**

Turvallisuusohjeissa käytetty käsite "sähkötyökalu" käsittää verkkokäyttöisiä sähkötyökaluja (verkkojohdolla) ja akkukäyttöisiä sähkötyökaluja (ilman verkkojohdotta).

## 1) TYÖPAIKAN TURVALLISUUS

a) **Pidä työskentelyalue puhtaana ja hyvin valaistuna.** Työpaikan epäjärjestys tai valaisemattomat työalueet voivat johtaa tapaturmiin.

b) **Älä työskentele sähkötyökalulla räjähdysalttiissa ympäristössä, jossa on palavaa nestettä, kaasua tai pölyä.** Sähkötyökalu muodostaa kipinöitä, jotka saattavat syyttää pölyn tai höyryt.

c) **Pidä lapset ja sivulliset loitolla sähkötyökalua käyttäessäsi.** Voit menettää laitteesi hallinnan, huomiosi suuntautuessa muualle.

## 2) SÄHKÖTURVALLISUUS

a) **Sähkötyökalun pistotulpan tulee sopia pistorasiaan. Pistotulppaa ei saa muuttaa millään tavalla. Älä käytä mitään pistorasia-adaptoreita maadoitettujen sähkötyökalujen kanssa.** Alkuperäisessä kunnossa olevat pistotulpat ja sopivat pistorasiat vähentävät sähköiskun vaaraa.

b) **Vältä koskettamasta maadoitettuja pintoja, kuten putkia, pattereita, liesiä tai jääkaappeja.** Sähköiskun vaara kasvaa, jos kehosi on maadoitettu.

c) **Älä käytä laitetta sateessa tai märissä olosuhteissa. Tämä voi lisätä sähköiskun vaaraa.** Jos laite kone ja akku kastuvat sateessa käytön aikana, ne tulee kuivata ennen varastointia tai lataamista. Irrota akku ja aseta se takaisin, jos laite ei käynnisty. Pidä akkuliitintä vapaana liasta ja roskista, ja puhdista pehmeällä sekä kuivalla harjalla tai liinalla.

d) **Älä käytä verkkojohtoa väärin. Älä käytä sitä sähkötyökalun kantamiseen, vetämiseen tai pistotulpan irrottamiseen pistorasiasta. Pidä**

**johto loitolla kuumuudesta, öljystä, terävistä reunoista ja liikkuvista osista.** Vahingoittuneet tai sokeutuneet johdot kasvattavat sähköiskun vaaraa.

e) **Käyttäessäsi sähkötyökalua ulkona, käytä ainoastaan ulkokäyttöön soveltuvaa jatkojohtoa.** Ulkokäyttöön soveltuvan jatkojohdon käyttö pienentää sähköiskun vaaraa.

f) **Jos sähkötyökalun käyttö kosteassa ympäristössä ei ole vältettävissä, tulee käyttää maavuotokatkaisijaa.** Maavuotokatkaisijan käyttö vähentää sähköiskun vaaraa.

## 3) HENKILÖTURVALLISUUS

a) **Ole valpas, kiinnitä huomiota työskentelyysi ja noudata tervettä järkeä sähkötyökalua käyttäessäsi. Älä käytä sähkötyökalua, jos olet väsynyt tai huumeiden, alkoholin tahi lääkkeiden vaikutuksen alaisena.** Hetken tarkkaamattomuus sähkötyökalua käytettäessä, saattaa johtaa vakavaan loukkaantumiseen.

b) **Käytä suojavarusteita. Käytä aina suojaeläsejä.** Henkilökohtaisen suojavarustuksen käyttö, kuten pölynaamarin, luistamattomien turvakengien, suojakypärän tai kuulonsuojaimien, riippuen sähkötyökalun lajista ja käyttötavasta, vähentää loukaantumisriskiä.

c) **Vältä tahatonta käynnistämistä. Varmista, että sähkötyökalu on poiskytkettyä, ennen kuin liität sen sähköverkkoon ja/ tai liität akun, otat sen käteen tai kannat sitä.** Jos kannat sähkötyökalua sormi käynnistyskytkimellä tai kytket sähkötyökalun pistotulpan pistorasiaan, käynnistyskytkimen ollessa käyntiasennossa, altistat itsesi onnettomuuksille.

d) **Poista kaikki säätötyökalu ja ruuvitaltat, ennen kuin käynnistät sähkötyökalun.** Työkalu tai avain, joka sijaitsee laitteen pyöriivässä osassa, saattaa johtaa loukkaantumiseen.

e) **Älä yliarvioi itseäsi. Huolehdi aina tukevasta seisomaasennosta ja tasapainosta.** Täten voit paremmin hallita sähkötyökalua odottamattomissa tilanteissa.

f) **Käytä tarkoitukseen soveltuvia vaatteita. Älä käytä löysiä työvaatteita tai koruja. Pidä hiukset ja vaatteet poissa liikkuvien osien ulottuvilta.** Välijät vaatteet, korut ja pitkät hiukset voivat takertua liikkuviin osiin.

g) **Jos pölynimu- ja keräilylaitteita voidaan asentaa, tulee sinun tarkistaa, että ne on liitetty ja että ne käytetään oikealla tavalla.** Pölynimulaitteiston käyttö vähentää pölyn aiheuttamia vaaroja.

h) **Työskentele keskittyneesti ja noudata aina turvallisuusmääräyksiä.** etkellinenkin huolimattomuus voi aiheuttaa vakavia vammoja.

## 4) SÄHKÖTYÖKALUJEN KÄYTTÖ JA HOITO

a) **Älä ylikuormita laitetta. Käytä kyseiseen työhön tarkoitettua sähkötyökalua.** Sopivaa

sähkötyökäluä käyttäen työskentelet paremmin ja varmemmin tehoalueella, jolle sähkötyökälu on tarkoitettu.

- b) **Älä käytä sähkötyökäluä, jota ei voida käynnistää ja pysäyttää käynnistyskytkimestä.** Sähkötyökälu, jota ei enää voida käynnistää ja pysäyttää käynnistyskytkimellä, on vaarallinen ja se täytyy korjata.
- c) **Irrota pistotulppa pistorasiasta ja/tai irrota akku (jos irrotettava) sähkötyökäluä, ennen kuin suoritat säätöjä, vaihdat tarvikkeita tai viet sähkötyökäluä varastoon.** Nämä turvatoimenpiteet pienentävät sähkötyökäluä tahattoman käynnistysriskin.
- d) **Säilytä sähkötyökäluä poissa lasten ulottuvilta, kun niitä ei käytetä. Älä anna sellaisten henkilöiden käyttää sähkötyökäluä, jotka eivät tunne sitä tai jotka eivät ole lukeneet tätä käyttöohjetta.** Sähkötyökäluä ovat vaarallisia, jos niitä käyttävät kokemattomat henkilöt.
- e) **Pidä sähkötyökäluä ja tarvikkeet hyvässä kunnossa.** Tarkista, että liikkuvat osat toimivat moitteettomasti, eivätkä ole puristuksessa sekä, että siinä ei ole murtuneita tai vahingoittuneita osia, jotka saattaisivat vaikuttaa haitallisesti sähkötyökäluä toimintaan. Anna korjauttaa mahdolliset viat ennen käyttöönottoa. Monen tapaturman syyt löytyvät huonosti huolletuista laitteista.
- f) **Pidä leikkausterät terävinä ja puhtaina.** Huolellisesti hoidetut leikkaustyökäluä, joiden leikkausreunat ovat teräviä, eivät tartu helposti kiinni ja niitä on helpompi hallita.
- g) **Käytä sähkötyökäluä, tarvikkeita, vaihtotyökäluä jne. näiden ohjeiden mukaisesti. Ota tällöin huomioon työolosuhteet ja suoritettava toimenpide.** Sähkötyökäluä käyttöä muuhun kuin sille määrättyyn käyttöön, saattaa johtaa vaarallisiin tilanteisiin.
- h) **Pidä kahvat ja kädensijat kuivina ja puhtaina (öljyttöminä ja rasvattomina).** Jos kahvat ja kädensijat ovat liukkaita, et pysty yllättävissä tilanteissa ohjaamaan ja hallitsemaan työkalua turvallisesti.
- 5) **AKKUKÄYTTÖISTEN SÄHKÖTYÖKÄLUJEN KÄYTTÖ JA HOITO**
- a) **Lataa akku vain valmistajan määräämässä latauslaitteessa.** Latauslaite, joka soveltuu määrättyntyyppiselle akulle, saattaa muodostaa tulipalovaaran erilaista akkuä ladattaessa.
- b) **Käytä sähkötyökäluä ainoastaan kyseiseen sähkötyökäluun tarkoitettua akkuä.** Jonkun muun akun käyttöä saattaa johtaa loukkaantumiseen ja tulipaloon.
- c) **Pidä irrallista akkuä loitolla metalliesineistä, kuten paperinliittimistä, kolikoista, avaimista, nauloista, ruuveista tai muista pienistä metalliesineistä, jotka voivat oikosulkea akun koskettimet.**

Akkukoskettimien välinen oikosulku saattaa aiheuttaa palovammoja tai johtaa tulipaloon.

- d) **Väärästä käytöstä johtuen saattaa akusta vuotaa nestettä, jota ei tule koskettaa. Jos nestettä vahingossa joutuu iholle, huuhtelee kosketuskohta vedellä. Jos nestettä pääsee silmiin, tarvitaan tämän lisäksi lääkäriä apua.** Akusta vuotava neste saattaa aiheuttaa ärsytystä ja palovammoja.
- e) **Älä käytä akkuä tai työkaluä, joka on voittunut tai johon on tehty muutoksia.** Jos akut ovat vioittuneet tai niihin on tehty muutoksia, ne voivat toimia ennalta arvaamattomasti ja aiheuttaa tulipalon, räjähdyksen tai loukkaantumisvaaran.
- f) **Älä altista akkuä tai työkaluä tullelle tai ääriimmäisille lämpötiloille.** Tullelle tai yli 130°C asteen lämpötilalle altistaminen saattaa aiheuttaa räjähdyksen.
- g) **Noudata latausohjeita ja lataa akkuä tai työkaluä ohjeenmukaisen lämpötila-alueen rajoissa.** Lataaminen virheellisesti tai ohjeiden vastaisessa lämpötilassa saattaa vaurioittaa akkuä ja lisätä palovaaraa.
- 6) **HUOLTO**
- a) **Anna koulutettujen ammattihenkilöiden korjata sähkötyökäluä ja hyväksy korjauksiin vain alkuperäisiä varaosia.** Täten varmistat, että sähkötyökäluä säilyy turvallisena.
- b) **Älä missään tapauksessa yritä itse korjata vaurioituneita akkuä.** Akkuä saa korjata vain valmistaja tai valtuutettu huoltopiste.

FIN

## OKSASAHAN TURVALLISUUSVAROITUKSET

1. **Pidä oksasaha riittävän etäisyyden päässä yläpuolisista sähkölinjoista.**
2. **Huomioi vaaralliset työasennot sekä maahan putoavien tai maasta kimpoavien oksien riski; ne voivat osua käyttäjään. Poista oksat osissa.**
3. **Pidä sivulliset turvallisien välimatkan päässä koneesta sen käytön aikana.**
4. **Varmista vakaa asento ja tasapaino käytön aikana ja käytä tarvittaessa mukana toimitettuja valjaita.**
5. **Käytä käytön aikana henkilösuojaimia, kuten kuulon suojausta, silmänsuojausta (visiiriä tai suojalaseja) sekä pään suojausta ja suojavaatetusta.**

## AKUN TURVAOHJEET




- a) **Älä pura, avaa tai revi nappiparistoja tai akkuä.**
- b) **Älä aiheuta akkuun oikosulkuä. Älä säilytä akkuä sattuamvaraisesti laatikossa tai kaapissa, jossa ne voivat joutua oikosulkuun toistensa tai muiden metalliesineiden kanssa.** Kun akku ei ole käytössä, pidä se kaukana muista

metalliesineistä, kuten paperiliittimistä, kolikoista, avaimista, nauloista, ruuveista tai muista pienistä metalliesineistä, jotka voivat muodostaa yhteyden päätteiden välille. Akkujen päätteiden yhteiset oikosulut voivat aiheuttaa palovammoja tai tulipalon.

- c) **Älä altista akkua kuumuudelle tai tullelle. Älä säilytä sitä suorassa auringonvalossa.**
- d) **Älä kohdista akkuun mekaanisia iskuja**
- e) **Jos paristo vuotaa, älä päästä nestettä kosketuksiin ihon tai silmien kanssa. Jos näin käy, huuhtelee kosketusalue runsaalla vedellä ja hakeudu lääkärin hoitoon**
- f) **Pidä akku puhtaana ja kuivana.**
- g) **Pyyhi akun päätteet puhtaalla, kuivalla liinalla, jos ne ovat likaantuneet.**
- h) **Akku on ladattava ennen käyttöä. Käytä aina oikeaa laturia ja oikeita latausmenetelmiä.**
- i) **Älä jätä akkua ladattavaksi pitkään, jos sitä ei käytetä.**
- j) **Pitkän varastointiajan jälkeen voi olla välttämätöntä ladata ja purkaa akku useita kertoja maksimaalisen suorituskyvyn saavuttamiseksi.**
- k) **Lataa vain Kress in määrittelemällä laturilla. Älä käytä mitään muuta kuin laitteen toimitukseen kuuluvaa laturia.** Laturi, joka sopii yhteen akkuun voi aiheuttaa tulipalon vaaran, jos sitä käytetään toisenlaisessa akussa.
- l) **Älä käytä mitään akkua, jota ei ole suunniteltu käytettäväksi kyseisessä laitteistossa.**
- m) **Pidä akku lasten ulottumattomissa.**
- n) **Säilytä tuotteen alkuperäiset asiakirjat tulevaa käyttöä varten.**
- o) **Poista akku laitteesta, kun laitetta ei käytetä.**
- p) **Hävitä käytetty akku oikein.**
- q) **Älä sekoita laitteeseen eri valmistuksen, kapasiteetin, koon tai tyyppin paristoja.**
- r) **Pidä akku poissa mikroaaltojen ja korkean paineen vaikutusalueelta.**
- s) **Advarsel! Brug ikke ikke-genopladelige batterier.**

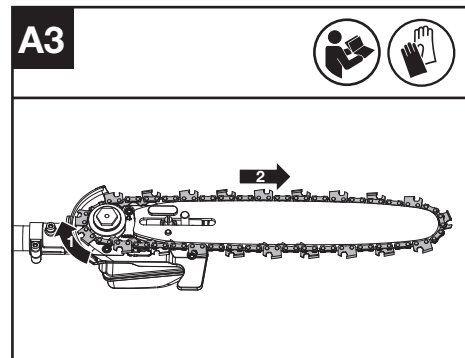
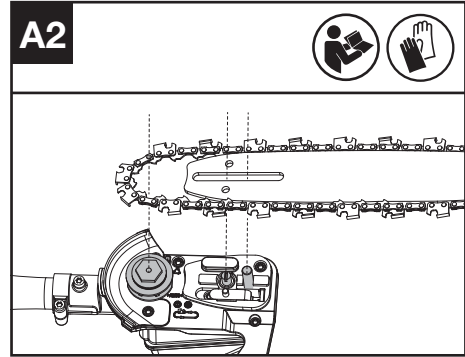
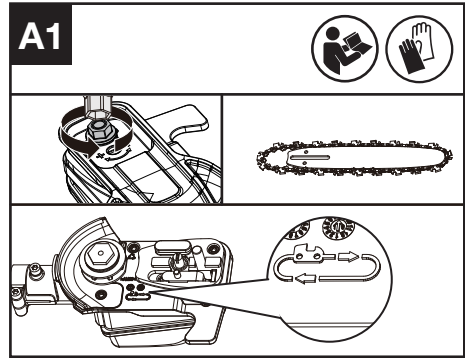
## SÄILYÄ NÄMÄ OHJEET

## SYMBOLIT

	Loukkaantumisriskin vähentämiseksi käyttäjän on luettava käyttöohjeet.
	VAROITUS
	Käytä kuulosuojaimia

	Käytä silmäsuojaimia
	Käytä pölymaskia
	Käytä pääsuojusta
	Käytä suojakäsineitä
	Suojajalkineet
	Pysy riittävän etäisyyden päässä sähkölinjoista
	Litiumioniakku Tämä tuote on merkitty symbolilla, joka liittyy kaikkien akkujen ja akkujen "erilliseen keräämiseen". Sitten se kierrätetään tai poistetaan ympäristövaikutusten vähentämiseksi. Akku saattaa olla haitallista ympäristölle ja ihmisten terveydelle, koska se sisältää haitallisia aineita.
	
	Älä hävitä tulesa
	Akkujen sisältö voi joutua veden kiertoon, jos ne hävitetään virheellisesti. Älä hävitä akkuja lajittelemattomana kotitalousjätteenä.

	<p>Romutettuja sähkölaitteita ei saa heittää pois talousjätteen mukana. Toimita ne kierrätyspisteeseen. Lisätietoja kierrätyksestä saa paikallisilta viranomaisilta tai jälleenmyyjältä.</p> <p>Ympäristöstävällinen hävittäminen. Vanhoja sähkölaitteita ei saa hävittää tavallisen kotijätteen mukana, vaan ne on hävitettävä erikseen. Yksityishenkilöiden kautta tapahtuva jätehuolto yhteisessä keräyspisteessä on maksutonta. Vanhojen laitteiden omistaja on velvollinen tuomaan laitteet tällaisiin tai tällaisia vastaaviin keräyspisteisiin. Tällä pienellä henkilökohtaisella panostuksella edistät arvokkaiden raaka-aineiden kierrätystä ja myrkyllisten aineiden käsittelyä.</p>
	Avaa
	Lukitse



## ASENNUS & OPERAATIO

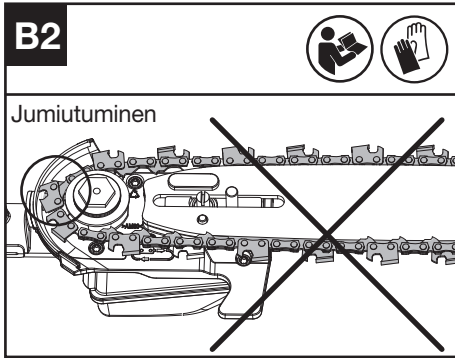
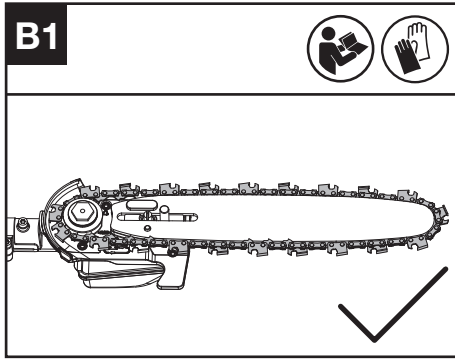
**HUOM:** Lue ohjekirja huolellisesti ennen työkalun käyttöä.

## KOKOONPANO

**VAROITUS!** Älä asenna akkuayksikköä ennen kuin se on täysin koottu. Käytä aina käsineitä, kun käsittelet ketjua.

### KETJUN JA TERÄLEVYN KOKOAMINEN

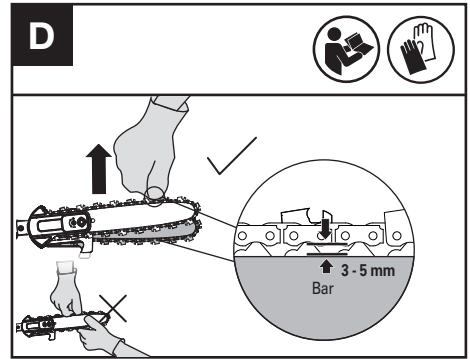
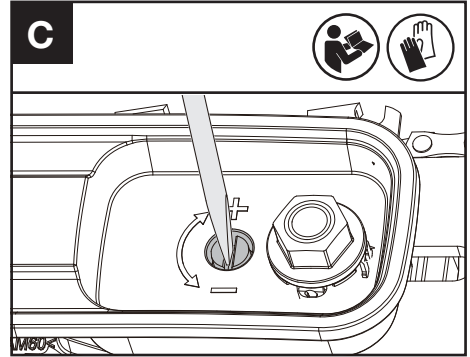
1. Irrota kytkinkotelo löysäämällä kuusiomutteri. Liu'uta ketju terälevyn ympärillä olevaan uraan. Varmista, että ketju on oikeassa kulkusuunnassa. (Katso kuva A1)
2. Asenna ketju ketjupyörälle siten, että terälevyn alustan paikannustappi osuu terälevyn aukkoon. (Katso kuva A2, A3)
3. Varmista, että kaikki osat ovat kunnolla paikoillaan. Varmista, että vetolenkit ovat täysin kiinni ketjupyörässä (ks. kuva B1) ja että ne eivät mene mutkalle kuvan B2 mukaisesti. Jos ketju on mutkalla jostain kohtaa, tartu ketjuun terälevyn kohdalta juuri ennen mutkaa ja vapauta mutka vetämällä.  
**HUOMAA:** ketjun tulisi pyöriä vapaasti, mutta sen liikuttaminen vaatii hieman voimaa
4. Asenna kytkinkotelo paikalleen ja kiristä kuusiomutteri



3. Tarkista ketjun kiristysruuvin asettama kireys. Oikea ketjun kireys on saavutettu, kun ketju voidaan nostaa noin puolet vetolenkin syvyydestä terälevyn keskellä olevasta urasta. Tämä tulisi tehdä yhdellä kädellä ketjuja nostaen koneen painoa vastaan. Käytä suojakäsineitä. (Katso kuva D). Kiristä sitten kuusiomutteri täysin.

**HUOMAA:** ketju on kiristetty oikein, kun se voidaan nostaa irti terälevyistä ja vetolenkki on terälevyn uran sisällä.

**HUOMAA:** Ketju venyy leikatessa ja menettää oikean kireytensä. Kun ketju löystyy, löysää kuusiomutteri, kiristä sitten ketju uudelleen ja kiristä kuusiomutteri, jotta ketjun kireys palautuu oikein toistamalla edellä mainitut vaiheet 1–3.



**!** **AROITUS:** Ketju ei ole vielä kiristettynä. Ketjun kiristäminen tapahtuu kohdassa "KETJUN KIRISTYS" kuvatulla tavalla. Ketju on nyt tarkastettava oikean kiristämisen varmistamiseksi.

### KETJUN KIRISTÄMINEN (KATSO KUVAT C, D)

**HUOMAA:** Uudet teräketjut asettuvat terälevylle ensimmäisen käytön yhteydessä. Tarkista ketjun kireys käytön aikana usein ja kiristä, kun ketju löystyy.

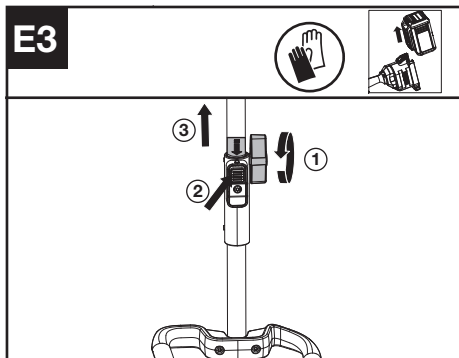
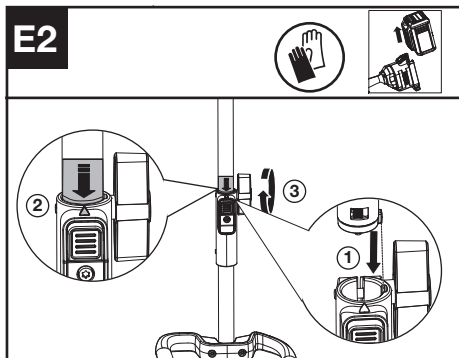
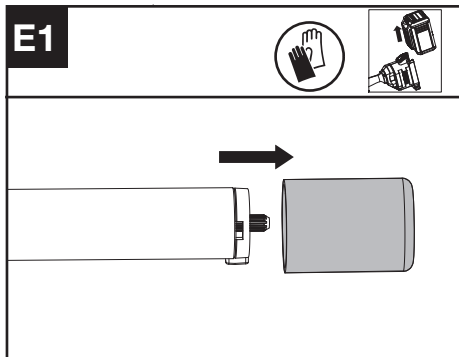
- Irrota akku ennen sahan ketjun kireyden säätämistä.
  - Ketjun leikkuureunat ovat teräviä. Käytä suojakäsineitä käsitellessäsi ketjuja.
  - Säilytä ketjun kireys aina oikeana. Löysä ketju voi hypätä pois terälevyn urasta. Tämä voi vahingoittaa käyttäjää ja ketjuja. Löysä ketju aiheuttaa ketjun, terälevyn ja hammaspyörän nopean kulumisen.
1. Aseta oksasaha sopivalle, tasaiselle pinnalle ja löysää kuusiomutteri.
  2. Käännä ketjun kiristysruuvia myötäpäivään, kunnes se on kireällä. (Katso kuva C)  
**HUOMAA:** Kireys nousee automaattisesti, kun ketjun kiristysruuvia käännetään myötäpäivään. Kiristä sitten kuusiomutteri tiukasti.

### Tehopään kokoaminen ja purkaminen (Katso kuva E1, E2, E3)

1. Irrota suojatulppa jatkovarren päästä.
2. Kokoja kohdistamalla painikkeen kolmio-kuvake jatkovarren nuolitarran kanssa.
3. Työnnä varsia toisiaan kohti, kunnes kuulet "klik"-äänien. Nuolitarran reunan tulisi olla varren liitoskotelon lähellä. (Huomaa: jos oksasahan työpäätä ei voi täysin asettaa tehopäähän, pyöritä oksasahan työpäätä hieman, kunnes akselin asettaminen on mahdollista.)
4. Viimeistele asennus kiristämällä nuppia myötäpäivään.



5. Pura kokoonpano löysäämällä nuppia kiertämällä sitä vastapäivään ja paina sitten vapautuspainiketta ja vedä varret irti toisistaan. Laita suojatulppa takaisin jatkovarren päähän, jotta pöly ja lika eivät pääse varteen.



## VOITELU (KATSO KUVA F)



**TÄRKEÄÄ:** Oksasahaa ei ole täytetty teräketjuöljyllä. Se on ehdottomasti täytettävä teräketjuöljyllä ennen käyttöä.

Älä koskaan käytä oksasahaa ilman teräketjuöljyä äläkä anna säiliön tyhjentyä, sillä tämä johtaa tuotteen laajoihin vaurioihin.

**HUOMAA:** Ketjun käyttöikä ja leikkauskapasiteetti riippuvat optimaalisesta voitelusta. Siksi ketju öljytään automaattisesti käytön aikana.

### ÖLJYSÄILIÖN TÄYTTÄMINEN:



**VAROITUS:** irrota akku ennen öljysäiliön täyttämistä.

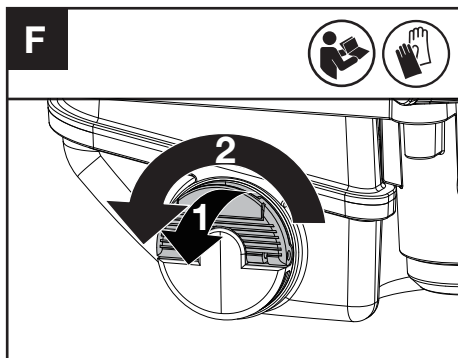
1. Aseta oksasaha mille tahansa sopivalle pinnalle öljysäiliön korkki ylöspäin.
2. Puhdista öljyn täyttöaukon korkin ympäristö liinalla ja avaa korkki kiertämällä sitä vastapäivään.
3. Lisää teräketjuöljyä, kunnes säiliö on lähes täynnä.
4. Vältä lian tai roskien pääsy öljysäiliöön, asenna öljyn täyttöaukon korkki takaisin paikalleen ja kiristä se kiertämällä myötäpäivään käsitiukkuuteen.



On tärkeää käyttää tanko- ja teräketjuvoiteluainetta (ei autoöljyä), joka on suunniteltu toimimaan laajalla lämpötila-alueella ilman laimennusta. Voiteluainetta löytyy paikasta, josta ostit tämän sahan, tai paikallisesta rautakaupasta. Älä käytä likaisia, käytettyjä tai muuten saastuneita öljyjä. Terälevy tai ketju voivat vaurioitua. Hyväksymättömän teräketjuöljyn käyttö mitätöi takuun.

Säilytettävä lasten ulottumattomissa. Jos ainetta on nieltä, soita välittömästi lääkärille. Säilytä kaukana lämmöstä tai avotulesta.

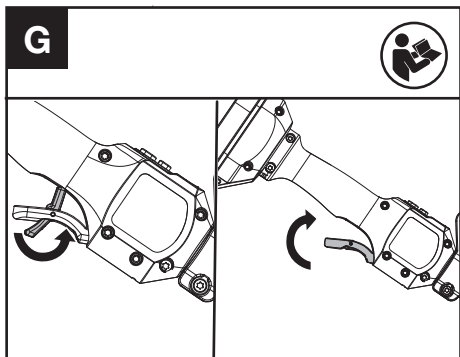
FIN



Kokoamis- ja purkutiedot lisäkselleille löytyvät kuvista E1, E2 ja E3.

# KÄYTTÖ

## Oksasahan käynnistäminen



1. Työnnä ensin turvalukon vapautusvipu eteenpäin, sitten purista ja pidä kaasuliipaisin pohjassa käynnistääkseen koneen.

**NOTE:** More details can be found in the power head manual.

## SAHAAMINEN

**VAROITUS:** tarkista öljysäiliö säännöllisesti. Jos ketju on vaihdettu hiljattain, tarkista kireys aina akkua vaihdettaessa.

- (1) Asenna akku koneeseen.
- (2) Älä anna ketjun koskettaa maata käytön aikana, sillä se tylsyyttää ketjun.
- (3) Pidä sahasta kiinni molemmin käsin.
- (4) Varmista, että asentosi on tukeva. Seiso hartioiden leveysessä haara-asennossa. Jaa painosi tasaisesti molemmille jaloille.
- (5) Kun olet valmis sahaamaan, noudata yllä olevia käynnistystoimenpiteitä ja nopeuden valintaa. Tämä kytkee sahan päälle. Liipaisimen vapauttaminen sammuttaa sahan. Varmista ennen sahausta, että saha käy täydellä nopeudella.
- (6) Kun aloitat sahausken, aseta liikkuva ketju hitaasti puuta vasten. Puun tulisi olla mahdollisimman lähellä leikkauspäätä. Pidä saha tiukasti paikallaan, jottei saha kimpoa tai luista (sivuttain).
- (7) Ohjaa sahaa kevyellä paineella äläkä aseta sahalle liiallista voimaa, vaan anna sahan tehdä työnsä. Muuten moottori ylikuormittuu ja voi palaa. Kone tekee työn paremmin ja turvallisemmin nopeudella, johon se on tarkoitettu.
- (8) Irrota saha leikkausurasta sen ollessa käynnissä täydellä nopeudella. Pysäytä saha. Varmista, että ketju on pysähtynyt, ennen kuin lasket sahan alas.
- (9) Harjoittele hukkapuilla turvallisella työskentelyalueella, kunnes koet hallitsevasi koneen; käytä sujuvaa liikettä ja vakaata sahausnopeutta.

## TAKAPOTKUN TURVALAITTEET TÄSSÄ

## SAHASSA

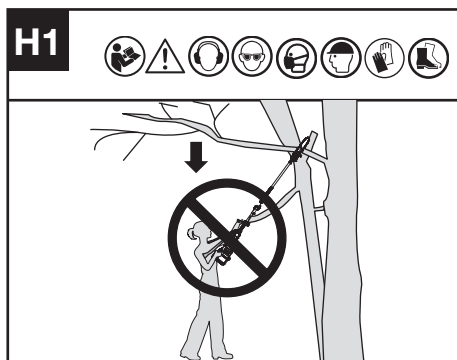
Tässä sahassa on matalan takapotkun ketju ja takapotkua alentava terälevy. Molemmat vähentävät takapotkun mahdollisuutta. Takapotku on kuitenkin mahdollinen oksasahaa käytettäessä.

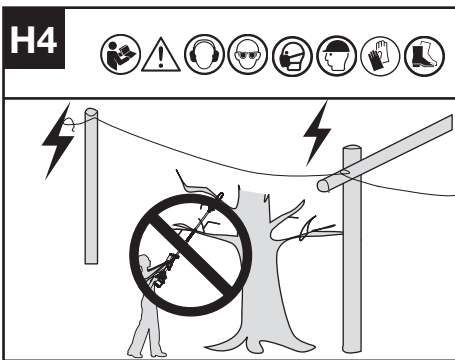
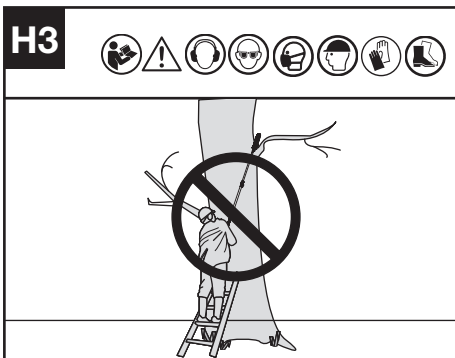
Seuraavat vaiheet vähentävät takapotkun riskiä.

- Tartu sahaan molemmin käsin sen käydessä. Käytä tiukkaa otetta.
- Pidä kaikki turvavälineet paikoillaan sahassa. Varmista, että ne toimivat oikein.
- Pidä vakaa asento ja tasapaino koko ajan.
- Seiso hieman sahan vasemmalla puolella. Tämä estää heoasi olemasta suorassa linjassa ketjun kanssa.
- Älä anna terälevyn kärjen koskettaa mitään, kun ketju liikkuu.
- Älä hautaa terälevyn kärkeä tai yritä upottaa sitä puuhun (porata puuhun terälevyn kärjellä).
- Varo puun vääntymistä tai muita voimia, jotka voivat puristaa ketjua.
- Ole erittäin varovainen, kun palaat aiempaan leikkaukseen.
- Käytä vain tämän oksasahan mukana toimitettua matalan takapotkun ketjua ja terälevyä tai suositeltuja vaihto-osia.
- Älä koskaan käytä tylsää tai löysää ketjua. Pidä ketju terävänä ja sen kireys asianmukaisena.

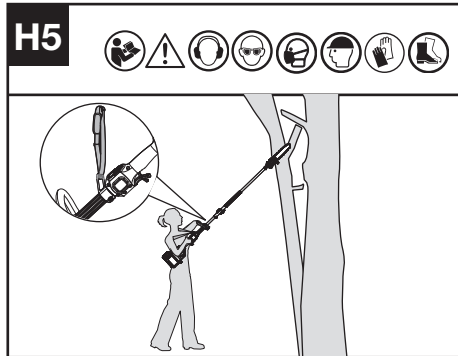
## KORKEALLA OLEVIEN OKSIEN SAHAAMINEN

1. Asenna akku koneeseen.
2. Ennen korkealla olevan oksan sahaamista huomioi putoavan oksan todennäköinen reitti. **VAROITUS:** Älä seiso suoraan sahattavan oksan alapuolella. Pidä sivulliset loitolla. Älä seiso tikkailla tai muulla epävakaa tuella, kun käytät työkalua. Älä käytä työkalua kaapeleiden tai sähkö- tai puhelinlinjojen lähellä. Pysy vähintään 3 metrin päässä voimalinjoista. (Katso kuva H1-H4)





3. Tartu oksasahaan molemmilla käsillä ja leikkaa oksia.



### PUUN KARSIMINEN (OKSIMINEN)

**VAROITUS:** Vältä takapotkua. Takapotku voi aiheuttaa vakavan loukkaantumisen tai kuoleman. Katso ohjeita takapotkun välttämiseen kohdasta Takapotku.

**VAROITUS:** Älä käytä oksasaha

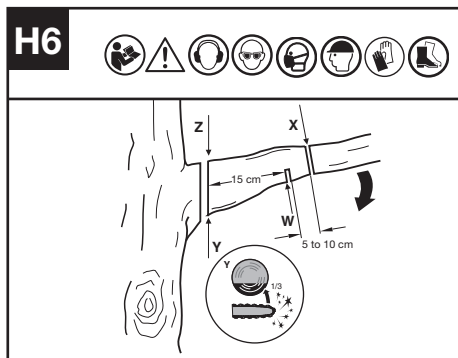
- puussa
- tikkaiden tai muun epävakaaan alustan päällä
- hankalassa asennossa.

Voit menettää oksasahan hallinnan, mistä voi seurata vakava loukkaantuminen.

**HUOMIO:** jos työ tuntuu liian vaikealta, pyydä ammattilaisen apua.

Karsimisella tarkoitetaan oksien leikkaamista elävästä puusta. Varmista, että asentosi on tukeva. Pidä jalat erillään. Jaa painosi tasaisesti molemmille jaloille. Karsi puu noudattamalla alla olevia ohjeita.

1. Tee ensimmäinen leikkaus muutamien senttimetrien (c) päähän puun rungosta, oksan alapuolelle. Tee leikkaus käyttämällä terälevyn yläosaa. Leikkaa 1/3 oksan halkaisijasta (katso kuva H6).



2. Siirry joitakin senttimetrejä (30 % c:stä) ylöspäin oksaa pitkin. Tee toinen leikkaus oksan yläpuolelta. Jatka leikkausta, kunnes oksa katkeaa.
3. Tee kolmas leikkaus mahdollisimman lähelle puun runkoa, poistaen jäljellä olevan oksantynngän

kokonaan. Käytä terälevyn alapuolta tehdäksesi tämän leikkauksen.

## AKKUTYÖKALUJA VARTEN

Suosittelava käyttöympäristön lämpötila-alue akun tyhjennystä varten on  $-20^{\circ}\text{C}$ – $45^{\circ}\text{C}$ .

Latausjärjestelmälle suositeltu käyttöympäristön lämpötila-alue latauksen aikana on  $-5^{\circ}\text{C}$ – $45^{\circ}\text{C}$ .

## KULJETUS

### Oksasahan kuljettaminen

1. Sammuta oksasaha ja irrota akku.
2. Kuljettaessasi oksasahaa käsin kannattele sitä varresta, varmistaen että kone on maan suuntainen ja terä osoittaa taaksepäin.
3. Kun kuljetat oksasahaa ajoneuvossa, kiinnitä ja aseta se paikalleen, jotta se ei pääse liikkumaan tai vahingoittumaan.

## SAHAN HUOLTOTOIMENPITEET

Noudata tämän käyttöohjeen huolto-ohjeita. Sahan, ketjun ja terälevyn oikea puhdistus ja huolto voivat vähentää kulumisen mahdollisuutta. Tarkasta ja huolla saha jokaisen käyttökerran jälkeen. Tämä pidentää sahan käyttöikää. Jos saha kastuu sateessa käytön aikana, kone ja akku on kuivattava ennen varastointia tai lataamista.

## OKSASAHAN HUOLTO JA VARASTOINTI

1. **Irrota akku**
  - Kun sitä ei käytetä
  - Ennen kuin liikut paikasta toiseen
  - Ennen huoltoa
  - Ennen lisävarusteiden tai lisälaitteiden, kuten teräketjun ja terälevyn vaihtamista
2. **Tarkista oksasaha ennen jokaista käyttökertaa ja sen jälkeen.** Tarkista huolellisesti, onko suojuus tai muu osa vaurioitunut. Tarkista, ettei käyttäjän turvallisuuteen tai sahan toimintaan mahdollisesti vaikuttavia vaurioita ole. Tarkista liikkuvien osien kohdistus tai kiinnitys. Tarkista rikkoutuneet tai vaurioituneet osat. Älä käytä oksasahaa, jos vauriot vaikuttavat turvallisuuteen tai käyttöön. Korjauta vauriot valtuutetussa huoltokeskuksessa.
3. **Huolla oksasaha asianmukaisesti.**
  - Pidä ketju terävänä, puhtaana ja voideltuna paremman ja turvallisemman suorituskyvyn saavuttamiseksi.
  - Noudata tässä oppaassa esitettyjä ketjun hoitamisohejeita.
  - Pidä kahvat kuivina, puhtaina ja vapaina öljystä ja rasvasta.
  - Pidä kaikki ruuvit ja mutterit tiukasti kiristettyinä.
4. **Käytä huollossa vain identtisiä varaosia..**
5. **Kun oksasahaa ei käytetä, säilytä se**

- korkeassa tai lukitussa paikassa, lasten ulottumattomissa
- kuivassa paikassa
- siten, että teräsuoja on paikallaan

## OHJAUSTANGON HUOLTO

Ohjaustangon käyttöäen maksimoimiseksi suositellaan seuraavanlaista huoltoa.

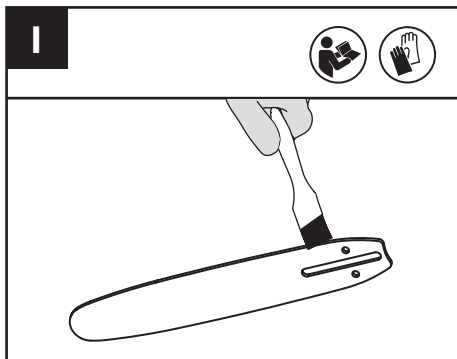
Ketjua kuljettavat levykiskot on puhdistettava ennen työkalun säilytystä tai jos tanko tai ketju näyttää liikalta.

Kiskot on puhdistettava aina, kun ketju irrotetaan.

Terälevyn uria voi olla ajoittain tarpeen hioa viillalla.

## TERÄLEVYN URIEN PUHDISTAMINEN

1. Irrota kytkinkotelo ja terälevy sekä ketju. (katso kohdasta KOKOONPANO)
2. Poista roskat terälevyn urasta teräsharjalla, ruuvimeisselillä tai vastaavalla työkalulla. (Katso kuva I)
3. Varmista, että puhdistat öljykanavat huolellisesti.



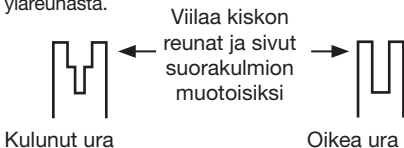
## OLOSUHTEET, JOTKA EDELLYTTÄVÄT KETJUN JA TERÄLEVYN HUOLTOA:

- Saha leikkaa yksipuolisesti tai vinoon.
- Sahaa on pakotettava leikkauksen läpi.
- Riittämätön öljynvirtaus terälevylle ja ketjulle.

Tarkista ohjaustangon kunto aina, kun ketjua teroitetaan. Kulunut ohjaustanko vahingoittaa ketjua ja vaikeuttaa sahaamista.

Jokaisen käyttökerran jälkeen irrota akkuyksikkö moottorisahasta, puhdista sahanpurut ohjaustangosta ja hammerspöyrän aukosta.

Kun kiskon yläreuna on epätasainen, käytä litteää viillaa suorakulmaisten reunojen palauttamiseksi poistamalla mahdolliset purseet kiskon sivusta tai yläreunasta.



Vaihda ohjau on kulunut, ohjau tai haljennut tai kun kiskot kuumenevat tai ovat tylsyneet ilmenee. Jos korvaaminen on tarpeen, käytä vain sahalle määrättyä ohjaintankoa korjausosien luettelossa tai sahan rungossa olevassa tarroissa.

## TANGON JA KETJUN VAIHTAMINEN

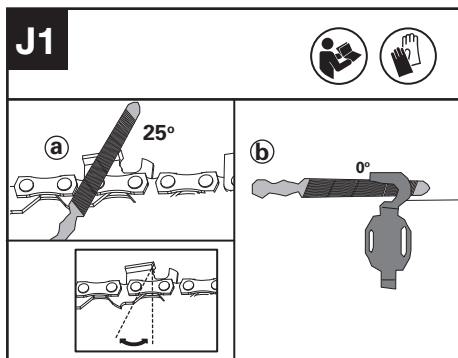
Vaihda ketju, kun leikkurit ovat liian kuluneita teroitettaviksi tai kun ketju ei enää toimi. Käytä vain tässä oppaassa mainittua vaihtoketjua. Tarkasta ohjaustanko ennen ketjun teroitusta. Kulunut tai vaurioitunut ohjaustanko ei ole turvallinen. Kulunut tai vaurioitunut ohjaustanko vaurioittaa ketjua. Se myös vaikeuttaa sahaamista.

## SAHAKETJUN TEROITTAMINEN

**VAROITUS: Irrota akkuyksikkö ennen teroitamista. Vakava loukkaantuminen tai kuolema voi aiheutua sähköiskusta tai kehon kosketuksesta liikkuvaan ketjuun. Ketjun leikkuureunat ovat teräviä. Käytä suojakäsineitä käsitellessäsi ketjua.**

Pidä ketju terävänä. Sahasi leikkaa nopeammin ja turvallisemmin. Tylsä ketju aiheuttaa tarpeetonta kulumista hammaspyörälle, ohjaustangolle, ketjulle ja moottorille. Jos sinun on painettava ketjua puuhun ja sahaus luo vain sahanpurua, jossa on vähän suuria lastuja, ketju on tylsä.

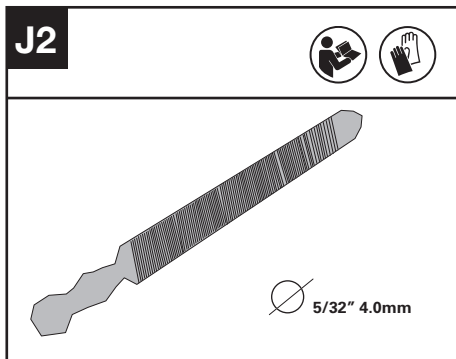
**Huomioi seuraavat vaiheet ennen teroitusta: (Katso kuva J1)**



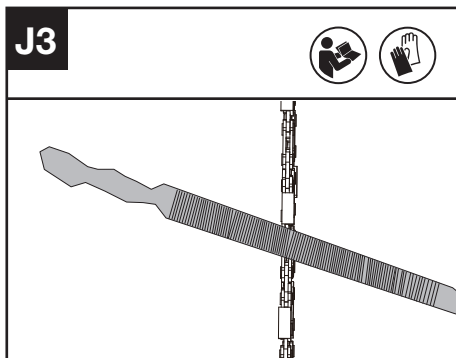
a: Viilausalkulma; b: viilan asento.

### Leikkureiden teroittaminen

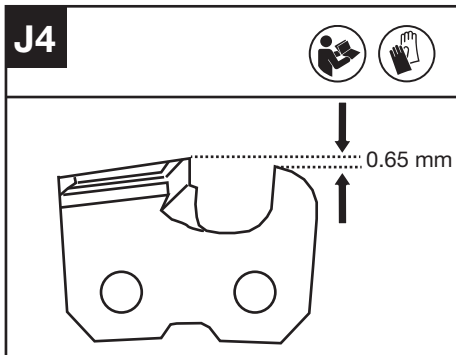
1. Käytä pyöröviilaa leikkuuterien teroittamiseen. (Katso kuva J2.) **HUOM:** Kiristä terälevy napakasti ruuvipenkkiin ennen ketjun teroitusta. Varmista, että ketju ei ole "puristuksissa" vaan voi liikkua vapaasti terälevyllä. Tarkista, että ketju on kiristetty oikein. (Katso osa "Ketjun kiristys").



2. Teroita leikkuuterät viilalla leikkuuhampaiden sisäpuolelta ketjun ulkopuolta kohti. (Katso kuva J3)



3. Viilaa kaikki leikkuuterät terälevyn yhdeltä puolelta.
4. Käännä moottorisaha ympäri ja viilaa kaikki leikkuuterät toiselta puolelta.
5. Varmista, että kaikkien leikkuuhampaiden pituus on sama. Viilaa tehokkuuden, turvallisuuden ja sujuvan sahauksen varmistamiseksi syvyysäätohampaan korkeudeksi (0,65 mm). Varmista, että syvyysäätohampaan etureuna pyöristetään. (Katso kuva J4.)

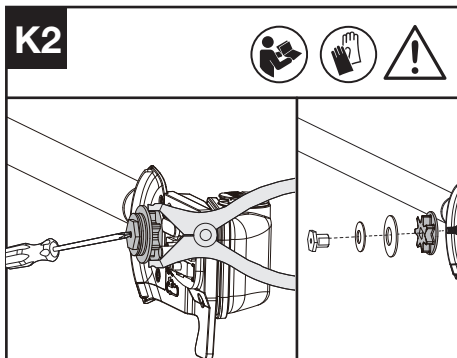
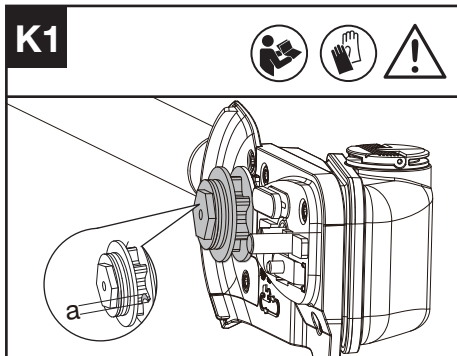


FIN

# KETJUPYÖRÄN TARKISTAMINEN JA KUNNOSSAPITO

**VAROITUS:** ennen tarkistamista tulee oksasaha sammuttaa ja sen akku irrottaa.

1. Irrota kytkinkotelo, ketju ja terälevy.
2. Tarkista, ovatko kulumismerkit syvemmällä kuin  $a=0,5$  mm kuvan K1 mukaisesti; jos näin on, ketjupyörä tulee vaihtaa. (Katso kuva K1)
3. Ketjupyörää vaihdettaessa pidä pyörää paikallaan pihtien avulla, löysää mutteri ruuvitalalla ja vaihda pyörä. (Katso kuva K2)



## PUHDISTUS

1. Sammuta oksasaha ja irrota akku.
2. Älä käytä aggressiivisiä pesuaineita tai liuottimia. Puhdista kone käytön jälkeen kostealla liinalla, joka on kastettu mietoon pesuaineeseen.
3. Pidä akkuliitäntä vapaana liasta ja roskista, ja puhdista pehmeällä sekä kuivalla harjalla tai liinalla.
4. Älä suihkuta vettä moottorin tai sähkökomponenttien päälle.
5. Älä käytä painepesuria koneen puhdistamiseen.

## VARASTOINTI

1. Irrota akku oksasahasta ennen varastointia.
2. Säilytä oksasaha ja akku kuivassa sekä turvallisessa paikassa, johon lapset ja muut asiattomat henkilöt eivät pääse käsiksi.
3. Jos laite kone ja akku kastuvat sateessa käytön aikana, ne tulee kuivata ennen varastointia tai lataamista. Irrota akku ja aseta se takaisin, jos laite ei käynnisty.

# VIANMÄÄRITYSTAULUKKO

Seuraavassa taulukossa esitetään tarkistukset ja toimenpiteet, jotka voit suorittaa, jos kone ei toimi oikein. Jos ongelma ei selviä tai korjaannu näiden avulla, ota yhteys huoltoliikkeeseen.



**VAROITUS: KYTKE VIRTA POIS PÄÄLTÄ JA IRROTA PISTOKE VIRTALÄHTEESTÄ ENNEN VIAN TUTKIMISTA.**

Ongelma	Mahdollinen syy	KORJAUS
Oksasaha ei toimi.	Akku on tyhjä.	Lataa akku.
Oksasaha toimii satunnaisesti.	Ylikuumeneminen.	Anna koneen jäähtyä asettamalla se viileään, tuuletettuun paikkaan.
	Kohdistat liikaa painetta sahauksen aikana.	Kohdista vähemmän painetta sahauksen aikana.
	Heikko kytkentä.	Ota yhteyttä huoltoedustajaan.
	Sisäinen johdotus on viallinen.	
	On/off-liipaisin on viallinen.	
Ketju on kuiva.	Ei öljyä säiliössä.	Täytä öljysäiliö.
	Öljyn täyttökorkin huohotin tukossa.	Puhdista korkki.
	Öljyn ulostuloaukko on tukossa.	Puhdista öljyn ulostuloaukko.
Ketju/terälevy ylikuumenee.	Ei öljyä säiliössä.	Täytä öljysäiliö.
	Öljyn täyttökorkin huohotin tukossa.	Puhdista korkki.
	Öljyn ulostuloaukko on tukossa.	Puhdista öljyn ulostuloaukko.
	Ketju on ylikiristetty.	Säädä ketjun kireyttä.
	Tylsä ketju.	Teroita ketju tai vaihda se.
Oksasaha pärisee, ei sahaa kunnolla.	Ketjun on liian löysällä.	Säädä ketjun kireyttä.
	Tylsä ketju.	Teroita ketju tai vaihda se.
	Ketju on kulunut.	Vaihda ketju.
	Ketjun hampaat ovat väärään suuntaan.	Kokoa uudelleen.

FIN

## TEKNISET TIEDOT

	KAC361
Ohjaustangon pituus	25 cm
Ketjun nopeus	Korkea: 17 m/s Matala: 13 m/s
Öljysäiliön tilavuus	160 ml
Ketjun jako	3/8" LP
Vetolenkin paksuus	1.1 mm
IP-luokitus	IPX4
Koneen paino	1.8 kg

# LEIKKUUKAPPALEIDEN YHDISTELMÄT

## Leikkuukappale

KAC333-10''/25cm 0.043''/1.1mm 3/8 LP  
OHJAUSTANKO

KAC302-10''/25cm 0.043''/1.1mm 3/8 LP KETJU

KAC335-12''/30cm 0.043''/1.1mm 3/8 LP  
OHJAUSTANKO

KAC304-12''/30cm 0.043''/1.1mm 3/8 LP KETJU

## TIEDOT PIDENNYKSEN AKSELISTA (KAC360)

### MELUTIEDOT

Painotettu äänenpaine  $L_{pA} = 79$  dB(A)  
 $K_{pA} = 3,0$  dB(A)

Painotettu ääniteho  $L_{wA} = 94,1$  dB(A)  
 $K_{wA} = 1,1$  dB(A)

Käytä kuulosuojaimia



FIN

### TÄRINÄTASOT

EN ISO 11680-1:n mukaisesti määritetyt värinän kokonaisarvot (kolmiakselivektorin summa):

Värinän päästöarvo	$a_n = 1,3$ m/s <sup>2</sup>
	epävarmuus $K = 1,5$ m/s <sup>2</sup>

## TIEDOT ILMAN PIDENNYSKSELIA

### MELUTIEDOT

Painotettu äänenpaine  $L_{pA} = 82$  dB(A)  
 $K_{pA} = 3,0$  dB(A)

Painotettu ääniteho  $L_{wA} = 93$  dB(A)  
 $K_{wA} = 1,5$  dB(A)

Käytä kuulosuojaimia



### TÄRINÄTASOT

EN ISO 11680-1:n mukaisesti määritetyt värinän kokonaisarvot (kolmiakselivektorin summa):

Värinän päästöarvo	$a_n = 1,87$ m/s <sup>2</sup>
	epävarmuus $K = 1,5$ m/s <sup>2</sup>

Ilmoitettua värinän kokonaisarvoa voidaan käyttää vertailtaessa yhtä työkalua toiseen, ja sitä voidaan käyttää myös altistumisen alustavassa arvioinnissa.

**VAROITUS:** Työkalun todellinen värinäpäästöarvo käytön aikana voi poiketa ilmoitetusta arvosta työkalun käytöstä riippuen seuraavista esimerkeistä ja muista tavoista, joilla työkalua käytetään:

Työkalun käyttötapa ja leikattavat tai porattavat materiaalit.

Työkalu on hyvässä kunnossa ja hyvin huollettu. Työkalun oikean lisävarusteen käyttö ja sen varmistaminen, että se on terävä ja hyvässä kunnossa.

Kahvojen otteen tiukkuus ja se, käytetäänkö värinää ja melua ehkäiseviä lisävarusteita.

Työkalua käytetään sen suunnittelun ja näiden ohjeiden mukaisesti.

Tämä työkalu voi aiheuttaa värinänsairauden, jos sen käyttöä ei hallita asianmukaisesti.


**VAROITUS:** Jotta altistumistaso arvioiminen todellisissa käyttöolosuhteissa olisi tarkkaa, siinä olisi otettava huomioon myös kaikki käyttöjaksoson osat, kuten ajat, jolloin työkalu on pois päältä, ja ajat, jolloin se on tyhjäkäynnillä, mutta ei varsinaisesti tee työtä. Tämä voi vähentää altistumistasoa merkittävästi koko työjakson aikana.

Auttaa minimoimaan värinä- ja melualtistumisriskin.

Käytä aina teräviä talttoja, poria ja teriä. Huolla tätä työkalua näiden ohjeiden mukaisesti ja pidä se hyvin voideltuna (tarvittaessa).

Jos työkalua käytetään säännöllisesti, investoi värinää ja melua ehkäiseviin lisävarusteisiin. Suunnittele työaikataulusi niin, että tärisevien työkalujen käyttö jakautuu useammalle päivälle.

## YMPÄRISTÖNSUOJELU

 Elektroniiikkaromua ei saa hävittää kotitalousjätteen mukana. Toimita elektroniikkaromu asianmukaisiin keräyspisteisiin. Kysy kierrätysohjeita paikallisviranomaisilta tai jälleenmyyjältä.



# VAATIMUSTENMUKAISUUSVAKUUTUS

Me,  
Positec Germany GmbH  
Postfach 680194, 50704 Cologne, Germany

Ilmoita, että tuote,

**Selostus:** Akkukäyttöinen oksasaha

**Tyyppi:** KAC361 (361 - koneen käyttötarkoitus, oksasaha)

**Toiminto:** Korkealla olevien oksien sahaaminen

Täyttää seuraavien direktiivien määräykset:

**2006/42/EC, 2014/30/EU, 2011/65/EU & (EU)2015/863, 2000/14/EC ja sen lisäys 2005/88/EC**

Ilmoitettu laitos

Nimi: Intertek Deutschland GmbH (Afprøvningsorgan 0905)

Osoite: Stangenstraße 1, 70771 LEINFELDEN-ECHTERDINGEN

Sertifiointinumero: 24SHW0160

## Tiedot pidennyksen akselista (KAC360)

2000/14/EC ja sen lisäys 2005/88/EC:

- Yhdenmukaisuuden arviointi perusteilla: Liite V
- Mitattu äänenvoimakkuuden taso 94 dB(A)
- Ilmoitettu taattu äänenvoimakkuuden taso 96 dB(A)

## Tiedot ilman pidennysakselia

2000/14/EC ja sen lisäys 2005/88/EC:

- Yhdenmukaisuuden arviointi perusteilla: Liite V
- Mitattu äänenvoimakkuuden taso 93 dB(A)
- Ilmoitettu taattu äänenvoimakkuuden taso 95 dB(A)

Yhdenmukaiset standardit

**EN 62841-1, EN ISO 11680-1, EN ISO 3744, EN IEC 55014-1, EN IEC 55014-2, EN IEC 63000**

Henkilö valtuutettu laatimaan tekninen tiedosto,

**Nimi Marcel Filz**

**Osoite Positec Germany GmbH**

**Postfach 680194, 50704 Cologne, Germany**



2024/01/26

Allen Ding

Apulais Pääinsinööri, testaus ja sertifiointi

Positec Technology (China) Co., Ltd.

18, Dongwang Road, Suzhou Industrial

Park, Jiangsu 215123, P. R. China

FIN

# INNHOLDFORTEGNELSE

Introduksjon.....	266
Komponentliste.....	267
Produktsikkerhet.....	268
Montering og bruk.....	271
Kjedesmøring.....	273
Anvendelse.....	273
Transport.....	275
Savvedlikehold.....	275
Rengjøring.....	278
Oppbevaring.....	278
<b>NOR</b> Feilsøking.....	279
Tekniske data.....	279
Samsvarserklæring.....	280

## INTRODUKSJON

Kjære kunde,

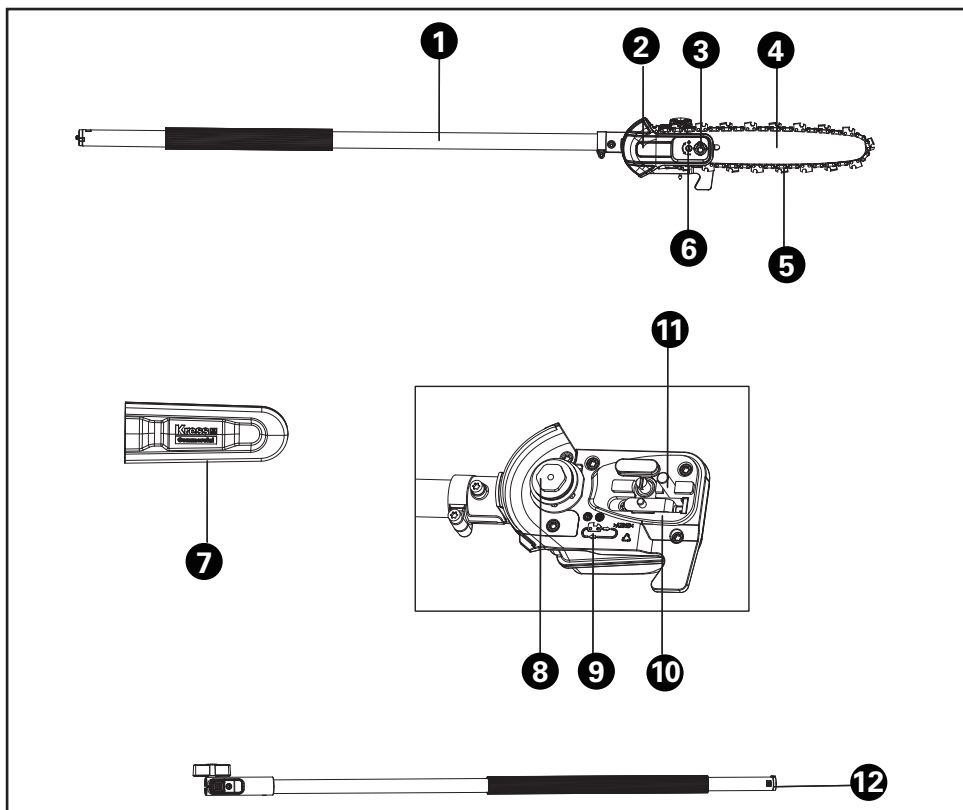
Takk for at du kjøpte dette Kress Commercial-produktet. Vi er dedikerte innen utvikling av høykvalitetsprodukter som møter dine behov for kommersiell landsskapsarkitektur.

Kress-merket er synonymt med førsteklasses service. Hvis du har spørsmål eller bekymringer angående produktet gjennom produktets levetid, bes du kontakte forhandleren din eller vårt kundeserviceteam for å få hjelp.

Vi er sikre på at du vil ha glede av å bruke Kress-produktet ditt i mange år fremover.

## TILTENKT BRUK

I bruk med KAC104 – Kraftenhet, stangsagen er designet for beskjæring og trimming av grener som er utenfor din alminnelige rekkevidde. Alle kutt skal være vinkelrett på fibrene. Dette produktet er kun beregnet på skjæring av treverk.



NOR

## KOMPONENTLISTE

- |     |                       |
|-----|-----------------------|
| 1.  | AKSEL                 |
| 2.  | DRIVDEKSEL            |
| 3.  | UNBRAKOMUTTER         |
| 4.  | LEDESKINNE            |
| 5.  | KJEDE                 |
| 6.  | KJEDESTRAMMESKRUE     |
| 7.  | VERNESKJEDE           |
| 8.  | DRIVE SPROCKET        |
| 9.  | KJEDERETNINGSSYMBOL   |
| 10. | STANGPUTE             |
| 11. | SKINNEPLASSERINGSTAPP |
| 12. | UTVIDELSESSKAFT *     |

\* Ikke alt illustrert eller beskrevet tilbehør inngår i leveransen.

# ORIGINAL DRIFTSINSTRUKS PRODUKTSIKKERHET GENERELLE ADVARSLER FOR ELEKTROVERKTØY



**ADVARSEL** Les alle sikkerhetsanvisningene, instruksjonene, illustrasjonene og spesifikasjonene som følger med dette elektroverktøyet. Manglende overholdelse av anvisningene nedenfor kan medføre elektrisk støt, brann og/eller alvorlige personskader.

**Ta godt vare på alle advarslene og informasjonene.**

Det nedenstående anvendte uttrykket "elektroverktøy" gjelder for strømndrevne (med ledning) og batteridrevne elektroverktøy (uten ledning).

## 1) SIKKERHET PÅ ARBEIDSPLASSEN

- a) **Hold arbeidsområdet rent og ryddig.** Rotete arbeidsområder eller arbeidsområder uten lys kan føre til ulykker.
- b) **Ikke arbeid med elektroverktøyet i eksplosjonsutsatte omgivelser – der det befinner seg brennbare væsker, gass eller støv.** Elektroverktøy lager gnister som kan antenne støv eller damper.
- c) **Hold barn og andre personer unna når elektroverktøyet brukes.** Hvis du blir forstyrret under arbeidet, kan du miste kontrollen over elektroverktøyet.

## 2) ELEKTRISK SIKKERHET

- a) **Støpselet til elektroverktøyet må passe inn i stikkkontakten. Støpselet må ikke forandres på noen som helst måte. Ikke bruk adapterstøpsler sammen med jordede maskiner.** Bruk av støpsler som ikke er forandret på og passende stikkontakter reduserer risikoen for elektriske støt.
- b) **Unngå kroppskontakt med jordede overflater slik som rør, ovner, komfyrer og kjøleskap.** Det er større fare ved elektriske støt hvis kroppen din er jordet.
- c) **Ikke bruk maskinen i regn eller under våte forhold. Det kan øke risikoen for elektrisk støt.** Etter at maskinen og batteriet er blitt våte i regn under drift, anbefales det at de tørkes før lagring eller lading. Hvis maskinen ikke kan slås på, ta ut batteriet og sett det inn igjen. Hold batteriforbindelsen fri for skitt og smuss, og rengjør den med en myk og tørr børste eller klut.
- d) **Ikke bruk ledningen til andre formål, f.eks. til å bære elektroverktøyet, henge den opp eller trekke den ut av stikkkontakten. Hold ledningen unna varme, olje, skarpe kanter eller maskindeler som beveger seg.** Med skadede eller opphopede ledninger øker risikoen for elektriske støt.
- e) **Når du arbeider utendørs med et elektroverktøy, må du kun bruke en**

skjøteledning som er godkjent til utendørs bruk. Når du bruker en skjøteledning som er egnet for utendørs bruk, reduseres risikoen for elektriske støt.

- f) **Hvis det ikke kan unngås å bruke elektroverktøyet i fuktige omgivelser, må du bruke en jordfeilbryter.** Bruk av en jordfeilbryter reduserer risikoen for elektriske støt.
- ## 3) PERSONSIKKERHET
- a) **Vær oppmerksom, pass på hva du gjør, gå fornuftig frem når du arbeider med et elektroverktøy. Ikke bruk elektroverktøyet når du er trett eller er påvirket av narkotika, alkohol eller medikamenter.** Et øyeblikks uoppmerksomhet ved bruk av elektroverktøyet kan føre til alvorlige skader.
  - b) **Bruk personlig verneutstyr og husk alltid å bruke vernebriller.** Bruk av personlig sikkerhetsutstyr som støvmaske, sklifaste arbeidssko, hjelm eller hørselvern – avhengig av type og bruk av elektroverktøyet – reduserer risikoen for skader.
  - c) **Unngå å starte verktøyet ved en feiltagelse. Forviss deg om at elektroverktøyet er slått av før du kobler det til strømmen og/eller batteriet, løfter det opp eller bærer det.** Hvis du holder fingeren på bryteren når du bærer elektroverktøyet eller kobler elektroverktøyet til strømmen i innkoblet tilstand, kan dette føre til uhell.
  - d) **Fjern innstillingsverktøy eller skrunøkler før du slår på elektroverktøyet.** Et verktøy eller en nøkkel som befinner seg i en roterende maskindel, kan føre til skader.
  - e) **Ikke overvurder deg selv. Sørg for å stå stødig og i balanse.** Dermed kan du kontrollere elektroverktøyet bedre i uventede situasjoner.
  - f) **Bruk alltid egnede klær. Ikke bruk vide klær eller smykker. Hold hår og klær unna deler som beveger seg.** Løstsittende tøy, smykker eller langt hår kan komme inn i deler som beveger seg.
  - g) **Hvis det kan monteres støvavsug- og oppsamlingsinnretninger, må du forvise deg om at disse er tilkoblet og brukes på korrekt måte.** Bruk av et støvavsug reduserer faren på grunn av støv.
  - h) **Selv når du er blitt vant til verktøyet, må du ikke bli sløv og ignorere sikkerhetsreglene for verktøyet.** En uforsiktig handling kan forårsake alvorlig personskade i løpet av et brøkdels sekund.
- ## 4) AKTSOM HÅNDTERING OG BRUK AV ELEKTROVERKTØY
- a) **Ikke overbelast elektroverktøyet. Bruk et elektroverktøy som er beregnet til den type arbeid du vil utføre.** Med et passende elektroverktøy arbeider du bedre og sikrer i det angitte effektområdet.
  - b) **Ikke bruk elektroverktøy med defekt på-/avbryter.** Et elektroverktøy som ikke lenger kan

slås av eller på, er farlig og må repareres.

- c) **Trekk støpselet ut av stikkontakten og/eller fjern batteriet (hvis demonterbart) før du utfører innstillinger på elektroverktøyet, skifter tilbehørsdeler eller legger elektroverktøyet bort.** Disse tiltakene forhindrer en utilsiktet startung av elektroverktøyet.
  - d) **Elektroverktøy som ikke er i bruk må oppbevares utilgjengelig for barn. Ikke la elektroverktøyet brukes av personer som ikke er fortrolig med dette eller ikke har lest disse anvisningene.** Elektroverktøy er farlige når de brukes av uerfarne personer.
  - e) **Vær nøye med vedlikeholdet av elektroverktøyet og tilbehøret. Kontroller om bevegelige maskindeler fungerer feilfritt og ikke klemmes fast, og om deler er brukket eller skadet, slik at dette innvirker på elektroverktøyets funksjon. La skadede deler repareres før elektroverktøyet brukes.** Dårlig vedlikeholdte elektroverktøy er årsaken til mange uhell.
  - f) **Hold skjæreverktøyene skarpe og rene.** Godt stelte skjæreverktøy med skarpe skjær setter seg ikke så ofte fast og er lettere å føre.
  - g) **Bruk elektroverktøy, tilbehør, verktøy osv. i henhold til disse anvisningene.** Ta hensyn til arbeidsforholdene og arbeidet som skal utføres. Bruk av elektroverktøy til andre formål enn det som er angitt kan føre til farlige situasjoner.
  - h) **Hold håndtak og gripeflater tørre, rene og uten olje eller fett.** Glatte håndtak og gripeflater hindrer sikker håndtering og styring av verktøyet i uventede situasjoner.
- 5) **AKTSOM HÅNTERING OG BRUK AV BATTERIDREVNEN VERKTØY**
- a) **Lad batteriet kun opp i ladeapparater som er anbefalt av produsenten.** Det oppstår brannfare hvis et ladeapparat som er egnet til en bestemt type batterier, brukes med andre batterier.
  - b) **Bruk derfor kun riktig type batterier for elektroverktøyene.** Bruk av andre batterier kan medføre skader og brannfare.
  - c) **Hold batteriet som ikke er i bruk unna binders, mynter, nøkler, spikre, skruer eller andre mindre metallgjenstander, som kan lage en forbindelse mellom kontaktene.** En kortslutning mellom batterikontaktene kan føre til forbrenninger eller brann.
  - d) **Ved gal bruk kan det lekke væske ut av batteriet. Unngå kontakt med denne væsken.** Ved tilfeldig kontakt må det skylles med vann. Hvis det kommer væske i øynene, må du i tillegg oppsøke en lege. Batterivæske som renner ut kan føre til irritasjoner på huden eller forbrenninger.
  - e) **Ikke bruk batterier eller verktøyet hvis det er skadet eller modifisert.** Ødelagte eller modifiserte batterier kan oppføre seg uforutsigbart, noe som kan føre til brann,

eksplosjon eller fare for personskade.

- f) **Ikke utsett batteriet eller verktøyet for åpen ild eller for høye temperaturer.** Eksposering for ild eller temperaturer over 130°C kan forårsake eksplosjon.
  - g) **Følg alle ladeinstruksjoner, og ikke lad batteriet eller verktøyet utenfor temperaturområdet som er spesifisert i bruksanvisningen.** Feil lading eller lading ved temperaturområdet, kan skade batteriet og øke brannfaren.
- 6) **Service**
- a) **Maskinen din skal alltid kun repareres av kvalifisert fagpersonale og kun med originale reservedeler.** Slik opprettholdes elektroverktøyets sikkerhet.
  - b) **Ikke utfør service på ødelagte batterier.** Service på batterier skal alltid utføres av produsenten eller godkjente forhandlere.

## MOTORSAG SIKKERHETSADVARSEL

1. Hold motorsagen i tilstrekkelig avstand fra luftledningen.
2. Vær oppmerksom på faren for driftsstilling, så vel som risikoen for at fallende greiner eller støt rammer bakken, og operatøren kan bli rammet av fallende grener eller støtende greiner etter å ha truffet bakken. Slett grenene i hver seksjon.
3. For å redusere risikoen, vennligst hold tilskuere på trygg avstand fra utstyret under arbeidet.
4. Sorg for å stå støtt og ha god balanse under arbeidet. Bruk tilgjengelig sele.
5. Bruk PPE under drift, inkludert hørsel beskyttelse, øyevern (visir eller briller) og hodebeskyttelse og klær.

NOR

## SIKKERHETSANVISNINGER FOR BATTERIPAKKE

- a) **Ikke demonter, åpne eller riv opp sekundære celler eller batteripakker.**
- b) **Ikke kortslutt en celle eller en batteripakke. Ikke oppbevar celler eller batteripakke løst i en boks eller skuff hvor de kan kortslutte hverandre eller bli kortsluttet av andre metallgjenstander.** Når batteripakken ikke er i bruk skal den holdes adskilt fra andre metallgjenstander som binders, mynter, nøkler, spiker, skruer eller andre små metallobjekter. Kortslutning av batteriet kan forårsake skader eller brann.
- c) **Ikke utsett celler eller batteripakke for varme eller ild. Unngå oppbevaring i direkte sollys.**
- d) **Ikke utsett celler eller batteripakke for**








mekanisk støt.



- e) Hvis du opplever cellelekkasje, ikke la væsken komme i kontakt med huden eller øynene. Dersom kontakt har oppstått, vask området med rikelige mengder vann og oppsøk medisinsk hjelp.
- f) Hold batteripakken ren og tørr.
- g) Tørk batteripakkekontaktene med en ren, tørr klut hvis de blir skitne.
- h) Batteripakken må lades før bruk. Bruk denne instruksjonen og korrekt ladeprosedyre.
- i) Ikke ha batteripakken til ladning når den ikke er i bruk.
- j) Etter en lang lagringsperiode kan det være nødvendig å lade og utlade batteripakken flere ganger for å oppnå maksimal ytelse.
- k) Bruk kun batterilader spesifisert av Kress. Bruk ikke andre ladere enn de som er levert for bruk med utstyret.
- l) Tikke bruk batteripakker som ikke er beregnet for bruk sammen med utstyret.
- m) Hold batteripakken utenfor barns rekkevidde.
- n) Ta vare på den originale bruksanvisningen for fremtidig bruk.
- o) Ta ut batteriene fra utstyret når det ikke er i bruk.
- p) Kvitt deg med produktet på forsvarlig måte.
- q) Ikke bland batterier av forskjellig produksjon, kapasitet, størrelse eller type i enheten.
- r) Hold batteriet unna mikrobølger og høyt trykk.
- s) Advarsel! Ikke bruk ikke-oppladbare batterier.

TA VARE PÅ DISSE INSTRUKSJONENE


## SYMBOLER

	For å redusere risikoen for personskade, må brukeren lese instruksjonsveiledningen
	ADVARSEL
	Bruk hørselsvern
	Bruk vernebriller
	Bruk støvmaske
	Bruk hjelm

	Bruk vernehansker
	Bruk vernesko
	Hold tilstrekkelig avstand fra strømledningen
	Litium-ion-batteri. Dette produktet er merket med symbolet "samlet separat" med alle batteripakker og batteripakker. Du kan deretter resirkulere eller fjerne den for å redusere påvirkningen på miljøet. Batteripakken inneholder skadelige stoffer som kan være skadelige for miljøet og menneskers helse.
	Ikke brenn
	Batt Hvis det ikke håndteres riktig, kan batteriet komme inn i vannsyklusen, noe som kan forårsake skade på økosystemet. Ikke kast brukte batterier som usortert kommunalt avfall.
	Avfall etter elektriske produkter må ikke legges sammen med husholdningsavfall. Vennligst resirkuler avfallet der dette finnes. Undersøk hos de lokale myndighetene eller en detaljist for resirkuleringsråd.
	Miljøvennlig avhending Gamle elektriske apparater må ikke avhendes sammen med restavfallet, men må avhendes separat. Avhending på felles innsamlingssted via privatpersoner er gratis. Eieren av gamle apparater er ansvarlige for å bringe apparatene til disse innsamlingsstedene eller til lignende innsamlingssteder. Med denne lille egeninnsatsen bidrar du til resirkulering av verdifulle råvarer og behandling av giftige stoffer.

	Låse opp
	Låse

## MONTERING OG BRUK

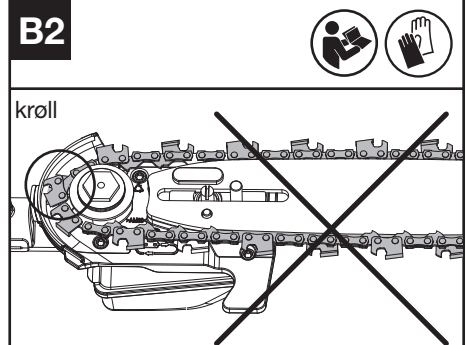
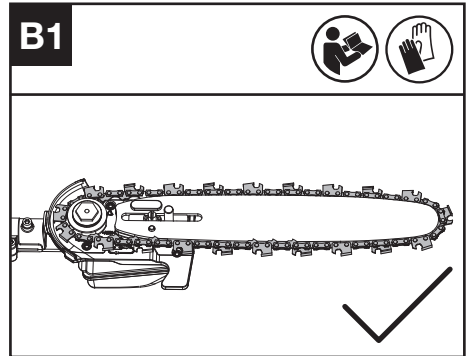
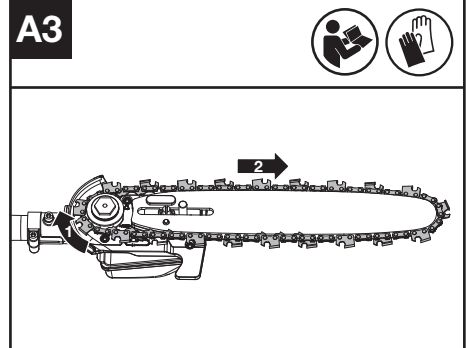
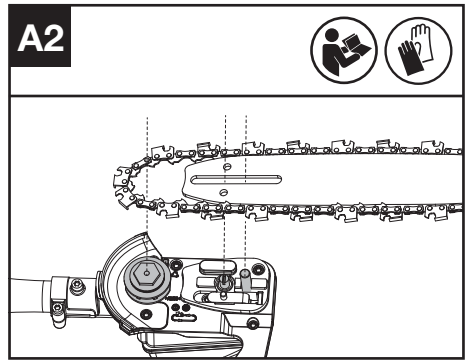
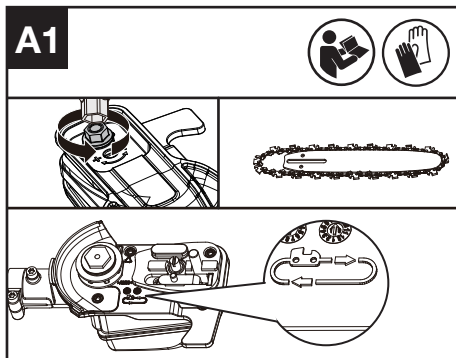
 **Merk:** Les nøye gjennom instruksjonsboka før du bruker verktøyet.

### MONTERING

 **ADVARSEL!** Ikke installer batteripakken før den er komplett monteret. Bruk alltid beskyttelseshansker når du håndterer kjedesagen.

#### KJEDE- OG LEDESKINNE-ENHET

1. Løsne unbrakomutteren for å fjerne drivdekslet. Skyv kjedet inn i sporet rundt ledeskinnen. Sørg for at kjedet er montert i riktig kjøreretning. (se fig. A1)
2. Monter kjedet på drivkjedehjulet, slik at tappen for skinneplassering på skinneputen passer inn i kilesporet til åpningen på ledeskinnen. (se fig. A2, A3)
3. Sørg for at alle deler sitter riktig. Pass på at drivleddene er satt helt inn i drivhjulet (se fig. B1.), uten bøyning som vist i fig. B2. Hvis knekk oppstår, tar du opp kjedet ved ledeskinnen like foran knekken og trekker deretter knekken ut. **MERK:** Kjedet skal rotere fritt, men det kreves en viss kraft for å rotere kjedet
4. Sett på drivdekslet og trekk til unbrakomutteren..



NOR

**⚠ ADVARSEL:** Kjedet er ikke strammet til ennå. Tilstramning av kjeden beskrives under “Stramming av kjede”. Kjedet må nå inspiseres for å sikre at det er korrekt strammet.

## STRAMMEKJEDE (SE FIG C, D)

**MERK:** Nye sagkjeder sitter fast på skinnen ved første gangs bruk. Kontroller kjedestrømningen ofte under første gangs bruk, og stram det når kjedet løsner rundt ledeskinnen.

- Fjern batteripakken før justering av kjedestrømningen.
- Skjærekantene på kjedet er skarpe. Bruk vernehansker når du håndterer kjedet.
- Oppretthold alltid riktig kjedestrømning. Et løst kjede kan hoppe ut av ledeskinnesporet. Dette kan skade operatøren og kjedet. Et løst kjede fører til at kjedet, skinnen og drivhullet slites raskere.

1. Plasser stangsagen på et egnet flatt underlag og løsne unbrakomutteren.

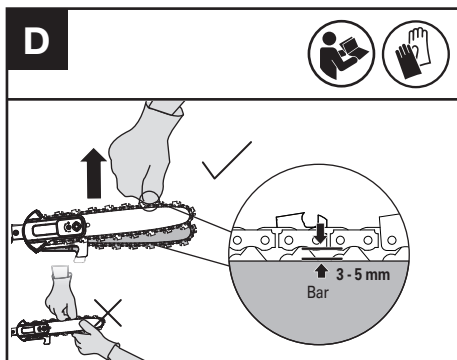
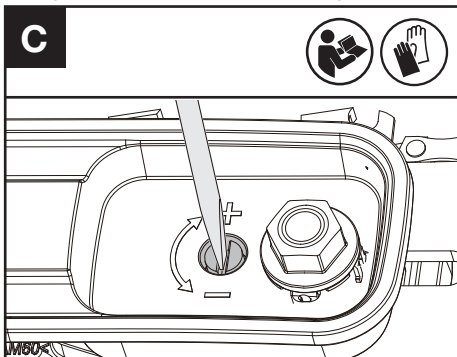
2. Skru kjedestrammeskruen medurs til den er strammet. (se fig. C)

**MERK:** Strømningen økes automatisk mens kjedestrammeskruen skrues medurs. Stram deretter unbrakomutteren godt.

3. Sjekk tightingen av kjedestrammeskruen. Riktig tighting i kjedet nås når kjedet kan heves omtrent halvveis fra drivlinkdybden og ledeskinnen på midten. Dette skal gjøres ved å bruke en hanskekledd hånd for å heve kjedet mot maskinens vekt. (se fig. D) Stram deretter unbrakomutteren helt.

**MERK:** Kjedet er stramt nok når det kan løftes av ledeskinnen og drivlenken er innenfor ledeskinnens kant.

**MERK:** Kjedet løsner mens du skjærer og mister riktig strammenivå. Når kjedet blir løst, løsner du unbrakomutteren, strammer kjedestrammeskruen og strammer unbrakomutteren igjen for å tilbakestille kjedestrømningen på riktig måte ved å følge trinn 1 til 3 som er oppført tidligere



## Montering og demontering av kraftenheten (Se Fig. E1, E2, E3)

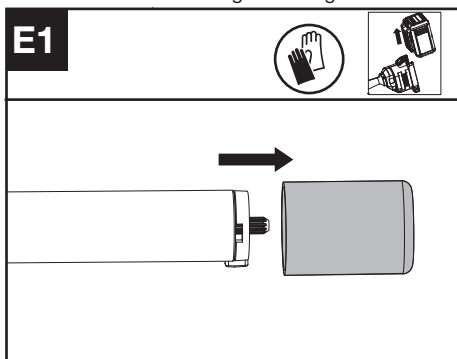
1. Fjern beskyttelseshetten fra enden på skaftet til utstyret.

2. Når du monterer må du innrette trekantikonet på knappen med pilmerket på skaftet til utstyret.

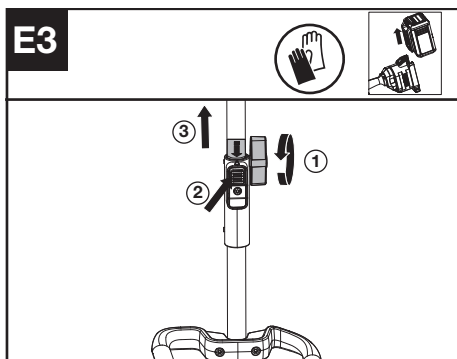
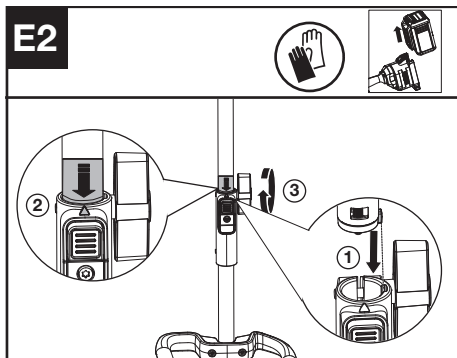
3. Skyv skaftene sammen til du hører 3 klikk. Kanten på pilmerket skal være nær skaftets tilkoblingshus. (Merk: Hvis stangsagens arbeidshode ikke kan monteres helt inn i krafthodet, roterer du stangsagens arbeidshode litt til det er mulig å sette akselen helt inn.)

4. Fullfør monteringen med å stramme knotten med klokken.

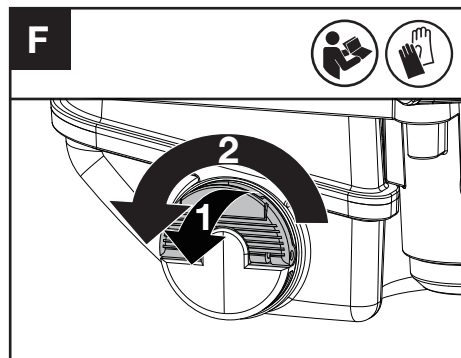
5. Skal du demontere, må du løsne knotten, skru den mot klokken og deretter trykke på utløserknappen og trekke skaftene fra hverandre. Sett på beskyttelseshetten på skaftet på utstyret for å hindre at smuss og støv trenger inn i skaftet.







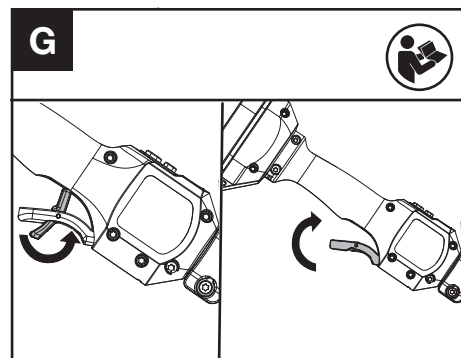
**!** Det er viktig å bruke smøremiddel for skinne og kjede (ikke bilolje), som er formulert for å yte over et bredt temperaturområde og uten behov for fortyning. Den er tilgjengelig på utsalgsstedet der du kjøpte denne sagan eller hos din lokale jernvarehandel. Ikke bruk skitne, brukte eller på annen måte kontaminert olje. Det kan oppstå skader på sverdet eller kjedet. Bruk av ikke-godkjent skinne- og kjedeolje ugyldiggjør garantien. Oppbevar skinneoljen utilgjengelig for barn. Ved svelging må lege umiddelbart kontaktes. Oppbevares unna varme eller åpen ild.



NOR

## ANVENDELSE

### Starte stangsagen



1. Skyv først sikkerhetslås-spake av-låser fremover, deretter klem og hold gassbryter inne for å starte maskinen.

**MERK:** Flere detaljer finner du i kraftenheten bruksanvisning.

### SKJÆRING

**!** **VIKTIG:** Sjekk oljetanken regelmessig. Kontroller den siste kjedestrammingen hver gang du bytter batteripakken.

Samle- og adskillelsesinformasjon for forlængerakslen, henvis venligst til bilder E1, E2 og E3.

## KJEDESMØRING (SE FIG. F)

**!** **VIKTIG:** Stangsagen leveres ikke fylt med skinne- og kjedeolje. Du må fylle på skinne- og kjedeolje før bruk. Bruk aldri stangsagen uten skinne- og kjedeolje og la ikke tanken bli tom, siden dette fører til omfattende skade på produktet.

**MERK:** Kjedes levetid og skjærekapasitet avhenger av optimal smøring. Derfor smøres kjedet automatisk under drift.

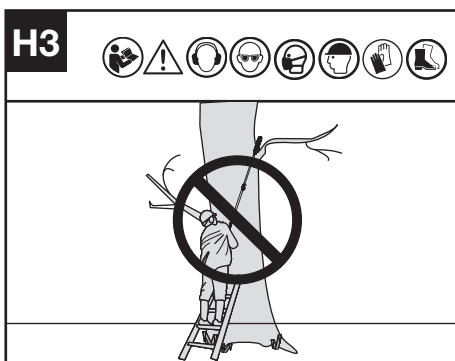
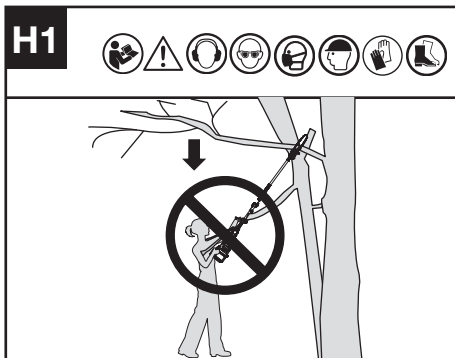
### FYLLING AV OLJETANKEN:

**!** **ADVARSEL:** Ta ut batteripakken før du fyller oljetanken.

1. Sett stangsagen på en egnet overflate med oljepåfyllingslokket vendt oppover.
2. Rengjør området rundt oljepåfyllingslokket med klut, og skru av lokket ved å vri det mot klokken.
3. Tilsett skinne- og kjedeolje til tanken er nesten helt full.
4. Unngå at smuss eller rusk kommer ned i oljetanken, sett på oljepåfyllingslokket og tight det ved å vri med klokken for hånd til det er stramt.

- (1) Sett batteripakken i batterikammeret.
- (2) La ikke kjedet komme i kontakt med bakken under bruk, da dette gjør kjedet sløvt.
- (3) Bruk begge hendene til på holde sagen.
- (4) Pass på at du står støtt. Hold en skulderbreddes avstand mellom føttene. Fordel vekten jevnt mellom føttene.
- (5) Når du er klar til å skjære, følger du startprosedyrene og hastighetsvalget ovenfor. Dette slår på sagen. Hvis du slipper bryteren slår sagen seg av. Sørg for at sagen går i full hastighet før du begynner å skjære.
- (6) Når du begynner å skjære må du plassere kjedet sakte mot treverket. Treverket skal være så nær skjærehodet som mulig. Hold sagen godt på plass for å unngå at den hopper eller sklir (beveger seg sidelengs).
- (7) Før sagen med et lett trykk og bruk ikke for mye kraft på sagen, men la sagen gjøre jobben. Motoren kan overbelastes og brenne ut. Det gjør jobben bedre og tryggere med den hastigheten den ble designet for.
- (8) Fjern sagen fra et kutt mens sagen går i full hastighet. Stopp sagen. Sørg for at kjedet har stoppet før du setter sagen ned.
- (9) Øv deg på utrangerte trestokker i et trygt arbeidsområde til du er komfortabel, med flytende bevegelser og jevn skjærehastighet.

Stå ikke på en stige eller annen type ustabil støtte når du bruker verktøyet. Bruk ikke verktøyet i nærheten av kabel-, strøm- eller telefonledninger. Hold avstand på tre m til elektriske strømførende kabler. (se fig. H1-H4)



**NOR** **SIKKERHETSANORDNINGER MOT TILBAKESLAG PÅ SAGEN**

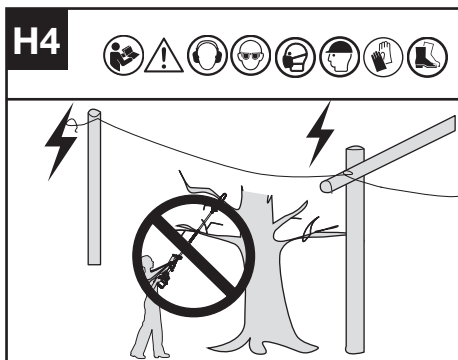
Denne sagen har et lav-tilbakeslagskjede og en styrestang med redusert tilbakeslag. Begge innretningene reduserer sjansen for tilbakeslag. Imidlertid kan tilbakeslag fremdeles skje med denne sagen.

Følgende steg vil redusere risikoen for tilbakeslag.

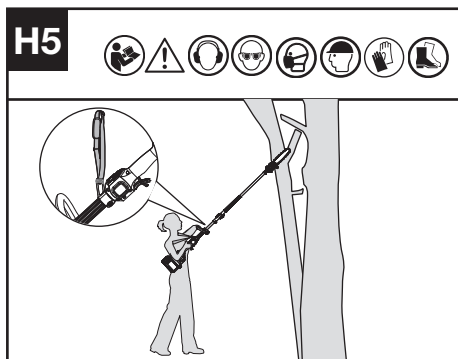
- Bruk begge hender til å holde sagen når den kjører. Bruk et fast grep.
- Sørg for at alt sikkerhetsutstyr er på plass på sagen. Forviss deg om at de virker ordentlig.
- Sørg for ordentlig fotfeste og balanse til enhver tid.
- Stå litt til venstre for sagen. Dette hindrer kroppen i å være på direkte linje med kjedet.
- La ikke ledeskinnens nese berøre noe når kjedet beveger seg.
- Begrav ikke ledeskinnenesen eller prøv å bore ned i treverket ved hjelp av ledeskinnenesen.
- Se opp for forskyvninger i treverket eller andre krefter som kan sette kjedet i klemme.
- Vær svært forsiktig når du går inn i et tidligere kutt på ny.
- Bruk kun kjede med lavt tilbakeslag og ledeskinnen som ble levert med denne stangsagen eller det som anbefales.
- Bruk aldri et sløvt eller løst kjede. Sørg for at kjedet er skarpt med riktig stramming.

**SKJÆRE HØYTHENGENDE GRENER**

1. Sett batteripakken i maskine.
2. Før du skjærer av en høy gren, må du være spesielt oppmerksom på hvor grenen kan tenkes å falle. **ADVARSEL:** Stå ikke rett under en gren som skal skjæres. Hold skuelystne på god avstand.



3. Bruk begge hender til å holde stangsagen og kappe grener.



#### TRIMME ET TRE (PRUNING)

**ADVARSEL:** Unngå tilbakeslag. Tilbakeslag kan resultere i alvorlig skade eller død.

Se Tilbakeslag, å unngå faren for tilbakeslag.

**ADVARSEL:** Bruk ikke stangsagen når du befinner

- deg i et tre,
- på en stige eller på ustabile overflater
- eller i en eller annen merkelig posisjon

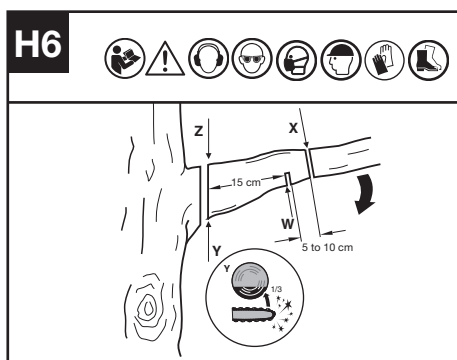
Du kan miste kontrollen over stangsagen og bli alvorlig skadd.

**VARSKO:** Søk profesjonell hjelp hvis du møter forhold du ikke takler.

Å trimme/beskjære et tre er prosessen med å kutte grener fra et levende tre. Sørg for at du har godt foffeste. Hold føttene en skulderbredde fra hverandre. Fordel vekten din jevnt på begge føttene.

Følg instruksjonen nedenfor for å trimme et tre.

1. Gjør det første snitt noen centimeter (c) fra stammen på undersiden av grenen. Bruk toppen av ledeskinnen til å utføre dette snittet. Skjær 1/3 gjennom diameteren på grenen (se fig. H6).



2. Flytt noen centimeter (30 % av c) lenger opp på grenen. Gjør det andre snittet fra oversiden på grenen. Fortsett inntil grenen er skåret av.
3. Gjør det tredje kuttet så nær stammen som mulig, slik at den gjenværende stubben kuttes helt av. Bruk undersiden av ledeskinnen for å lage dette snittet.

#### For Batteriverktøy

Den anbefalte omgivelsestemperaturområdet for utlading er -20 °C~45 °C.

Anbefalt omgivelsestemperatur for ladesystemet under lading er -5 °C~45 °C.

NOR

## TRANSPORT

### Transportere stangsagen

1. Slå av stangsagen og ta ut batteriet.
2. Når du transporterer stangsagen for hånd, må du holde stangen på stangsagen slik at maskinen er parallell med bakken og stangen vender bakover.
3. Når du transporterer stangsagen i et kjøretøy, må du feste og posisjonere den for å forhindre bevegelse eller skade.

## SAVEDLIKEHOLD

Følg håndbokens vedlikeholdsinstruksjoner. Riktig rengjøring av vedlikehold av sag, kjede og ledeskinne kan redusere sjansene for slitasje. Inspiser og vedlikehold sagen etter hver bruk. Dette vil øke levetiden til sagen din. Hvis sagen blir våt i regnet under bruk, må maskinen og batteripakken tørkes før den lagres eller lades.

## VEDLIKEHOLD OG LAGRING AV STANGSAGEN

### 1. Fjern batteripakken

- Når den ikke er i bruk
- Før den flyttes fra ett sted til et annet
- Før den får service
- Før du bytter tilbehør eller redskaper, for eksempel

sagkjede og skinne

## 2. Inspiser stangsgagen før og etter hver bruk.

Kontroller sagan nøye for skader på deksel eller andre deler. Kontroller om det er skader som kan påvirke operatørsikkerheten eller bruken av sagan. Sjekk justeringen eller bindingen av bevegelige deler. Se etter ødelagte eller skadde deler. Bruk ikke stangsgagen hvis skade påvirker sikkerheten eller bruken. Få skaden reparert av et autorisert servicesenter.

## 3. Vedlikehold sagan med omhu.

- Hold kjedet skarpt, rent og smurt for bedre og sikrere ytelse.
- Følg trinnene som er beskrevet i denne håndboken for å slippe kjedet.
- Hold håndtakene tørre, rene og fri for olje og fett.
- Hold alle skruer og muttere stramme.

## 4. Bruk kun identiske reservedeler under service.

## 5. Oppbevar alltid stangsgagen når den ikke er i bruk

- på et høyt eller låst sted, utilgjengelig for barn
- på et tørt sted
- med beskyttelsesskjeden på plass

## STANGVEDLIKEHOLD

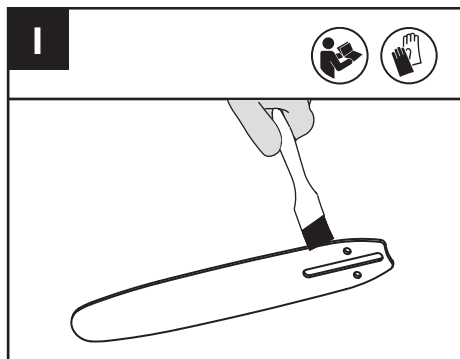
For å maksimere stang levetid, anbefales følgende stangvedlikehold.

Stangskinnene som fører kjedet bør rengjøres før lagring av verktøyet, eller hvis stang eller kjede er skittent.

Skinnene bør rengjøres hver gang kjedet fjernes. Av og til kan det være nødvendig å avgrate skinnene med en flatfil.

## FOR Å RENGJØRE STANGSKINNENE

1. Fjern kjededekselet, skinnen og kjedet. (se avsnitt MONTERING)
2. Bruk en stålbørste, skrutrekker eller lignende passende verktøy til å fjerne rester fra skinnene på stangen. (Se Fig.1)
3. Sørg for å rengjøre oljekanaler grundig



## FORHOLD SOM KREVER VEDLIKEHOLD AV KJEDE OG LEDESKINNE:

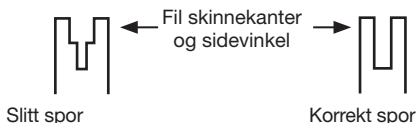
- Sagkutt på en side eller i en vinkel.

- Sagen må tvinges gjennom kuttet.
- Utilstrekkelig tilførsel av olje til skinnen og kjedet.

Kontroller tilstanden på styrestangen hver gang kjedet kvesses. En slitt styrestang vil skade kjedet og gjøre kutting vanskelig.

Etter hver bruk, og med enheten koblet fra strømkilden, fjernes all sagmugg fra styrestangen og styrehullet.

Bruk en flatfil til å gjenopprette kvadratiske kanter og sider når skinnetoppen er ujevn.



Bytt ut styrestangen når sporet er slitt, styrestangen er bøyd eller sprukket, eller når overdreven oppvarming eller avskraping av skinnene inntreffer. Hvis utskifting er nødvendig, bruk kun den guidebaren som er spesifisert for sagan din i reservedelslisten eller på etiketten som er plassert på stangsgagen.

## UTSKIFTING/SNUING AV SAGKJEDET OG SVERDET

Skift kjedet når knivene er for slitte til å files eller når kjedet stanser. Bruk kun erstatningskjede som er nevnt i denne håndboken. Inspiser sagsverdet før filing av kjedet. Et slitt eller skadet sagsverd er farlig. Et slitt eller skadet sagsverd vil skade kjedet. Det vil også gjøre kappingen tynge.

## SLIPING AV SAGKJEDET

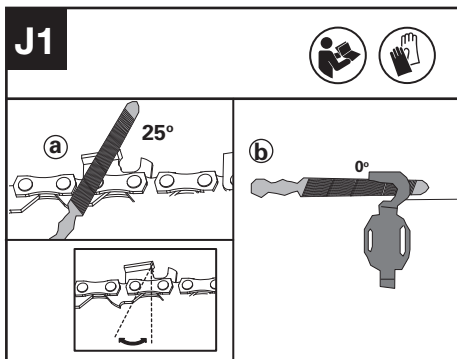


**ADVARSEL:** Fjern batteripakken fra sagan før vedlikehold. Alvorlig skade eller død kan inntreffe fra elektrisk støt eller kroppskontakt med kjedet i bevegelse.

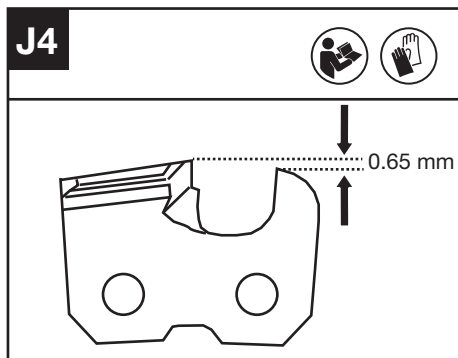
**Eggene på kjedet er skarpe. Bruk vernehansker ved håndtering av kjedet.**

Hold kjedet skarpt. Sagan din vil kutte raskere og tryggere. Et sløvt kjede vil medføre overdreven slitasje på kjedehjul, styrestang og motor. Hvis du må tvinge kjedet inn i treet, og kutting kun lager sagmugg med få store biter, er kjedet sløvt.

**Vær oppmerksom på følgende trinn før sliping (Se Fig J1)**

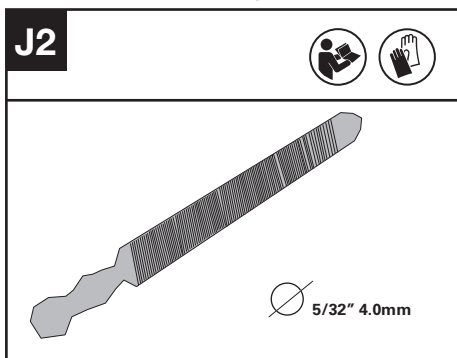


3. Fil alle kutterne på den ene siden av skinnen.
4. Snu motorsagen og fil alle kutterne på motsatt side.
5. Sørg for at lengden på alle skjæretennene er like. For å sikre effektiv, sikker og jevn skjæring, files dybdemålerens høyde til 0,65 mm. Pass på at forkanten på dybdemåleren er avrundet. (Se Fig. J4)



### Hvordan slippe kutterne

1. Klargjør en rund fil for å kvesse kutteren. (Se Fig. R2). **MERK:** Klem skinnen godt fast i en skrustikke før du sliper kjedet. Pass på at kjedet ikke «napper» og kan bevege seg fritt på skinnen. Kontroller at kjedet er skikkelig strammet. (Se avsnittet «Kjedestrømming»).



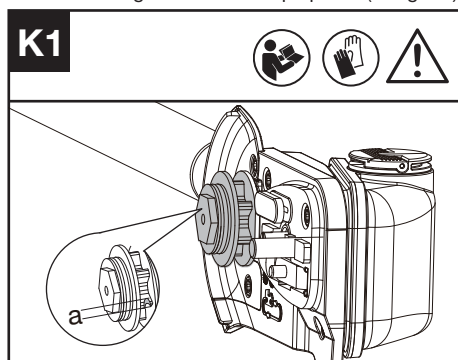
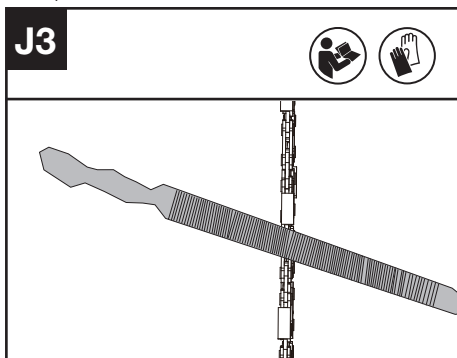
## INSPEKSJON OG VEDLIKEHOLD AV KJEDEHJUL

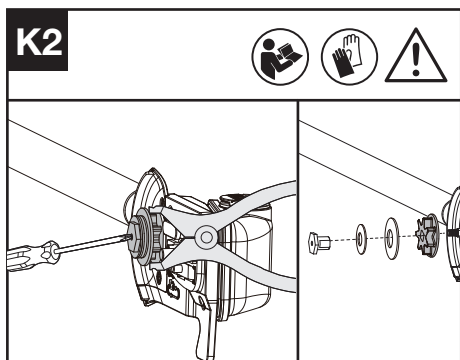
NOR

**⚠ ADVARSEL:** Før kontrollen er det helt nødvendig å slå av stangsagen og ta ut batteriet.

1. Fjern drivhjuldekslet, sagkjedet og sverdet.
2. Kontroller om slitasjemerke er dypere enn  $a=0,5$  mm som vist i fig. K1, i så fall bør kjedehjulet skiftes ut. (se fig. K1)
3. Når du bytter kjedehjul må du kontrollere kjedehjulet med en tang og bruke en skrutrekker til å løsne og sette mutteren på plass. (se fig. K2)

2. Slip kutterne med fil fra innsiden av skjæretennene mot utsiden av kjedet. (Se Fig. R3).





## RENGJØRING

1. Slå av stangsagen og ta ut batteriet.
2. Ikke bruk aggressive vaskemidler eller løsemidler. Rengjør maskinen etter bruk med en fuktig klut dyppet i mildt vaskemiddel.
3. Hold batteriforbindelsen fri for skitt og smuss, og rengjør den med en myk og tørr børste eller klut.
4. Ikke spray vann på motoren og elektriske komponenter.
5. Ikke rengjør maskinen med et trykkvaskeaggregat.

NOR

## OPPBEVARING

1. Fjern batteripakken fra stangsagen før lagring.
2. Oppbevar stangsagen og batteriet på et tørt og sikkert sted som er utilgjengelig for barn og andre uvedkommende.
3. Etter at maskinen og batteriet er blitt våte i regn under drift, anbefales det at de tørkes før lagring eller lading. Hvis maskinen ikke kan slås på, ta ut batteriet og sett det inn igjen.

# FEILSØKING

Følgende tabell viser problemstillinger og handlinger du kan utføre hvis maskinen ikke fungerer normalt. Hvis dette ikke identifiserer og retter opp problemet, kontakt din forhandlerservice.



**ADVARSEL: SLÅ AV MASKINEN OG FJERN BATTERIET FØR FEILSØKING.**

Symptomer	Mulig årsak	Utbedring
Barsagen kan ikke betjenes	Batteriet er tomt	Rengjør lokket
Rod så intermitterende drift	Overoppheting	Sett sagen på et kjølig, ventilert sted for å kjøles.
	Det brukes for mye press under sagingen	Bruk relativt mindre press under sagingen.
	Ekstern løskontakt	Gå til et serviceverksted
	Intern løskontakt	
	På/av-bryter defekt.	
Tørt sagkjede.	Ingen olje i oljetanken	Fyll på olje
	Ventilen i oljepåfyllingslokket er tilstoppet	Rengjør lokket
	Tettet oljeutløpskanal	Gjør oljeutløpskanalen fri
Varmt kjede/ føringssskinne.	Ingen olje i oljetanken	Fyll på olje
	Ventilen i oljepåfyllingslokket er tilstoppet	Rengjør lokket
	Tettet oljeutløpskanal	Gjør oljeutløpskanalen fri
	For høy kjedespenning	Innstill kjedespenningen
	Butt kjede	Slip eller skift ut kjedet
Ekstrem sagriving, vibrasjon, sag er ikke korrekt	For løs kjedespenning	Innstill kjedespenningen
	Butt kjede	Slip eller skift ut kjedet
	Slitt kjede	Utskifting av kjedet
	Sagtennene peker i gal retning	Monter sagkjedet på nytt med tennene i korrekt retning

NOR

## TEKNISKE DATA

	KAC361
Sverdlengde	25 cm
Kjedehastighet	Høy: 17 m/s Lav: 13 m/s
Påfyllingsmengde oljebeholder	160 ml
Kjededeling	3/8" LP
Kjedemåler	1.1 mm
Beskyttelsesgrad	IPX4
Maskinvekt	1.8 kg

# KOMBINASJONER AV KUTTEREDSKAPER

## Kutteredskap

KAC333-10''/25cm 0.043''/1.1mm 3/8 LP Sverd

KAC302-10''/25cm 0.043''/1.1mm 3/8 LP Sagkjede

KAC335-12''/30cm 0.043''/1.1mm 3/8 LP Sverd

KAC304-12''/30cm 0.043''/1.1mm 3/8 LP Sagkjede

# INFORMASJON MED FORLENGERAKSEL (KAC360)

## STØYINFORMASJON

Belastning lydtrykk  $L_{pA} = 79 \text{ dB(A)}$   
 $K_{pA} = 3,0 \text{ dB(A)}$

Belastning lydeffekt  $L_{wA} = 94,1 \text{ dB(A)}$   
 $K_{wA} = 1,1 \text{ dB(A)}$

Bruk hørselsvern.



NOR

## VIBRASJONSINFORMASJON

Totale vibrasjonsverdier (triax vektorsum) fastsatt i henhold til EN ISO 11680-1.

Vibrasjonsutslippsverdi	$a_h = 1,3 \text{ m/s}^2$
	Usikkerhet $K = 1,5 \text{ m/s}^2$

# INFORMASJON UTEN FORLENGERAKSEL STØYINFORMASJON

Belastning lydtrykk  $L_{pA} = 82 \text{ dB(A)}$   
 $K_{pA} = 3,0 \text{ dB(A)}$

Belastning lydeffekt  $L_{wA} = 93 \text{ dB(A)}$   
 $K_{wA} = 1,5 \text{ dB(A)}$

Bruk hørselsvern.



## VIBRASJONSINFORMASJON

Totale vibrasjonsverdier (triax vektorsum) fastsatt i henhold til EN ISO 11680-1.

Vibrasjonsutslippsverdi	$a_h = 1,87 \text{ m/s}^2$
	Usikkerhet $K = 1,5 \text{ m/s}^2$

Den oppgitte verdien for samlet vibrasjon kan brukes til å sammenligne verktøy og til å foreta en foreløpig vurdering av eksponering.

**!** ADVARSEL: Vibrasjonsutslippsverdien under faktisk bruk av kraftverktøyet kan avvike fra oppgitt verdi, avhengig av måtene verktøyet brukes og følgende eksemplene og andre variasjoner i hvordan verktøyet brukes:

Hvordan verktøyet brukes og materialene som blir kuttet eller drillert.

Verktøyet er i god stand og godt vedlikeholdt. Bruk av riktig tilbehør for verktøyet, og sørg for at det er skarpt og i god stand.

Hvor stramt grepet på håndtakene er, og om det brukes antivibrasjonstilbehør.

Om at verktøyet blir brukt til det formålet det er tilsiktet i henhold til designet og disse instruksjonene.

Dette verktøyet kan forårsake hånd-arm vibrasjonssyndrom, hvis det ikke brukes er forvaltes på en god måte.

**!** ADVARSEL: For å være nøyaktig, bør også et overslag over eksponeringsnivå under faktiske bruksforhold også tas med i betraktning i alle deler av driftssyklusen, slik som når verktøyet er skrudd av og når det går på tomgang, men ikke faktisk gjør jobben. Dette kan redusere eksponeringsnivået betraktelig over hele arbeidsperioden.

For å hjelpe til å minimere risikoen for vibrasjonseksponering.

Bruk ALLTID skarpe meisler, driller og blad.

Vedlikehold verktøyet i henhold til disse instruksjonene og sørg for at det er godt smurt (der det er hensiktsmessig).

Hvis verktøyet skal brukes regelmessig, invester i antivibrasjonstilbehør.

Planlegg arbeidstidplanen din slik at du sprer bruk av høyvibrasjonsverktøy utover flere dager.

## MILJØVERNILTAK

Avfall etter elektriske produkter må ikke legges sammen med husholdningsavfall. Vennligst resirkuler avfallet der dette finnes. Undersøk hos de lokale myndighetene eller en detaljist for resirkuleringsråd.

## SAMSVARERKLÆRING

VI, ,  
Positec Germany GmbH  
Postfach 680194, 50704 Cologne, Germany

På vegne av Positec erklær at produktet

**Beskrivelse:** Batteridrevet stangsgag



**Type:** KAC361 (361 - betegnelsen på maskineri, representant for stangsagen)

**Funksjon:** Skjære høythengende grenner

Samsvarer med følgende direktiver:

**2006/42/EC, 2014/30/EU, 2011/65/EU & (EU)2015/863, 2000/14/EC revidert ved 2005/88/EC**

Den notifikerte gruppen involvert

Navn: Intertek Deutschland GmbH (Den notifikerte gruppen involvert 0905)

Adresse: Stangenstraße 1, 70771 LEINFELDEN-ECHTERDINGEN

Sertifiseringsnr.: 24SHW0160

**Informasjon med forlengeraksel (KAC360)**

2000/14/EC endret av 2005/88/EC:

- Tilpassningsbedømmelse Utført ifølge vedlegg V
- Målt Lydkraftnivå 94 dB(A)
- Erklært Garantert Lydkraftnivå 96 dB(A)

**Informasjon uten forlengeraksel**

2000/14/EC endret av 2005/88/EC:

- Tilpassningsbedømmelse Utført ifølge vedlegg V
- Målt Lydkraftnivå 93 dB(A)
- Erklært Garantert Lydkraftnivå 95 dB(A)

Standardene samsvarer med:

**EN 62841-1, EN ISO 11680-1, EN ISO 3744, EN IEC 55014-1, EN IEC 55014-2, EN IEC 63000**

NOR

Personen som er autorisert til å utarbeide den tekniske filen,

**Navn Marcel Filz**

**Adresse Positec Germany GmbH**

**Postfach 680194, 50704 Cologne, Germany**



2024/01/26

Allen Ding

Visesjefsingeniør, Testing og Sertifisering

Positec Technology (China) Co., Ltd.

18, Dongwang Road, Suzhou Industrial

Park, Jiangsu 215123, P. R. China

# INNEHÅLLSFÖRTECKNING

Introduktion.....	282
Komponenter.....	283
Produktsäkerhet.....	284
Montering & hantering.....	287
Kedjesmörjning.....	289
Användning.....	289
Transport.....	291
Underhåll av såg.....	291
Rengöring.....	294
Förvaring.....	294
<b>sv</b> Felsökning.....	295
Teknisk Information.....	296
Deklaration om överensstämmelse.....	297

## INTRODUKTION

Bästa kund,

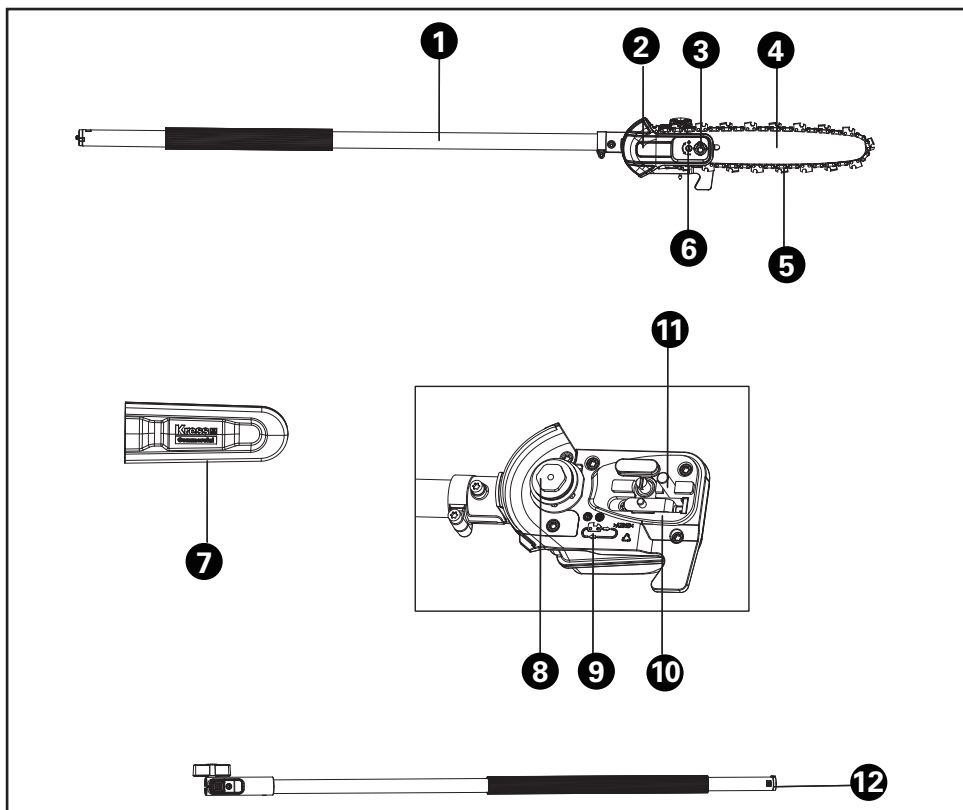
Tack för ditt köp av denna produkt från Kress Commercial. Vi är engagerade i vår strävan att utveckla produkter av hög kvalitet som uppfyller kraven för din kommersiella trädgårdsanläggning.

Kress som varumärke är synonymt med förstklassig service. Skulle du ha några frågor eller funderingar om din produkts livslängd, kan du kontakta din återförsäljare eller vårt kundtjänstteam för hjälp.

Vi är övertygade om att du kommer att trivas med att arbeta med din produkt från Kress i många år framöver.

## AVSEDD ANVÄNDNING

I kombination med KAC104 - Kraffthuvud, denna stångsåg är designad för beskärning och trimning av grenar som är utom räckhåll för armarna. Alla snitt bör göras tvärs över fibrerna. Denna produkt är endast avsedd för att kapa trä.



SV

## KOMPONENTER

- |     |                      |
|-----|----------------------|
| 1.  | AXEL                 |
| 2.  | DRIVLOCK             |
| 3.  | SEKANTMUTTER         |
| 4.  | SVÄRD                |
| 5.  | SÅGKEDJA             |
| 6.  | KEDJESPÄNNINGSSKRUV  |
| 7.  | SKYDDSFODRAL         |
| 8.  | KJÄDGÅRD             |
| 9.  | KEDJERIKTNINGSSYMBOL |
| 10. | STYRPLATTA           |
| 11. | STYRSTÅNGENS STIFT   |
| 12. | FÖRLÄNGNINGSSKAFT *  |

\* Alla tillbehör beskrivna eller avbildade nedan medföljer inte standardprodukten.

# BRUKSANVISNING I ORIGINAL SÄKERHETSFÖRESKRIFTER SÄKERHETSVARNINGAR GENERELLA SÄKERHETS- VARNINGAR FÖR ELVERK- TYG



**VARNING:** Läs alla säkerhetsföreskrifter, instruktioner, illustrationer och specifikationer som följer med detta elverktyg. *Underlåtelse att följa instruktionerna nedan kan leda till elstöt, brand och/eller allvarlig skada.*

**Spara alla varningar och instruktioner för framtida bruk.**

*Begreppet Elverktyg hänför sig till nätdrivna elverktyg (med nätsladd) och till batteridrivna elverktyg (sladdlösa).*

## 1) ARBETSOMRÅDET

- Håll ditt arbetsområde rent och väl upplyst.** Ostäda och mörka areor ökar olycksrisken.
- Använd inte elverktyget i explosionsfarliga omgivningar när det t.ex. finns brännbara vätskor, gaser eller damm.** Elverktygen alstrar gnistor som kan antända dammet eller gaserna.
- Håll under arbetet med elverktyget barn och obehöriga personer på betryggande avstånd.** Om du störs av obehöriga personer kan du förlora kontrollen över elverktyget.

## 2) ELSÄKERHET

- Elverktygets stickpropp måste passa till vägguttaget. Stickproppen får absolut inte förändras.** Använd inte adapterkontakter tillsammans med skyddsjordade elverktyg. Oförändrade stickproppar och passande vägguttag reducerar risken för elstöt.
- Undvik kroppskontakt med jordade ytor som rör, element, spisar och kylskåp.** Det finns en större risk för elstötar om din kropp är jordad.
- Använd inte maskinen i regn eller under våta förhållanden.** Detta kan öka risken för elektriska stötar. När maskinen blivit blöt i regnet under drift bör maskinen och batteriet torkas före förvaring eller laddning. Ta ur batteriet och sätt tillbaka det om maskinen inte kan slås på. Håll batterianslutningen fri från smuts och skräp och rengör med en mjuk och torr borste eller trasa.
- Missbruka inte nätsladden. Använd inte nätsladden för att bära eller hänga upp elverktyget och inte heller för att dra stickproppen ur vägguttaget.** Skadade eller tilltrasslade ledningar ökar risken för elstöt.
- När du arbetar med ett elverktyg utomhus använd endast förlängningssladdar som är avsedda för utomhusbruk.** Om en lämplig förlängningssladd för utomhusbruk används minskar risken för elstöt.

- Om det inte går att undvika att driva ett elverktyg i en fuktig lokal, använd då en restströmsskyddad (RCD) strömställförelänsanordning.** Användning av en RCD minskar risken för elektriska stötar.

## 3) PERSONLIG SÄKERHET

- Var uppmärksam, håll ögonen på vad du gör och använd sunt förnuft när du använder ett strömförande verktyg. Använd inte ett strömförande verktyg när du är trött eller påverkad av droger, alkohol eller läkemedel.** En kort stund av uppmärksamhet med strömförande verktyg kan resultera i allvariga personskador.
  - Använd säker utrustning. Använd alltid skyddsglasögon.** Säkerhetsutrustning som munskydd, halkfria skor, skyddshjälm eller hörselskydd som används när det behövs kommer att reducera personskador.
  - Förhindra ofrivillig start. Se till att kontakten är i off-läge innan du ansluter till strömkälla och/eller batterienhet, tar upp eller bär med dig verktyget.** Bär du strömförande verktyg med fingret på kontakten eller sätter i stickkontakten i elluttaget när kontakten är i PÅ-läge utgör det en skaderisk.
  - Ta bort alla skiftnycklar eller skruvnycklar innan du sätter på det strömförande verktyget.** En skift - eller skruvnyckel som lämnas kvar på en roterande del på ett strömförande verktyg kan orsaka personskador.
  - Sträck dig inte för långt. Bibehåll alltid fotfästet och balansen.** Detta gör att du kan kontrollera verktyget bättre i oväntade situationer.
  - Klä dig rätt. Använd inte löst sittande kläder eller smycken.** Håll ditt hår och dina kläder borta från rörliga delar. Lösa kläder, smycket eller långt hår kan snärjas in i rörliga delar.
  - Om det på enheterna finns anslutning för dammsug och dammuppsamling ser du till att de är anslutna och används korrekt.** Använder du dessa anordningar reducerar det dammrelaterade faror.
  - Låt inte förtrogenhet, tack vare frekvent användning av verktyget, lura dig att känna dig för tryggt med det och därmed ignorera säkerhetsföreskrifterna.** En vårdslös handling kan orsaka allvarlig skada inom loppet av en sekund.
- ## 4. KORREKT ANVÄNDNING OCH HANTERING AV ELVERKTYG
- Överbelasta inte elverktyget. Använd rätt elverktyg för det jobb du tänker göra.** Med ett lämpligt elverktyg kan du arbeta bättre och säkrare inom angivet effektområde.
  - Använd inte verktyget om kontakten inte sätter pi eller stänger av det.** Alla strömförande verktyg som inte kan kontrolleras med kontakten är farliga och måste repareras.
  - Koppla från stickkontakten från strömkällan och/eller batterienheten från elverktyget**

innan du utför några justeringar, ändrar I tillbehören eller magasinerar elverktuget. Sådana förebyggande säkerhetsåtgärder reducerar risken för att du startar verktyget oavsiktligt.

- d) **Förvara verktyget som inte används utom räckhåll för barn och litet inte någon person använda verktyget som inte känner till verktyget eller dessa anvisningar.** Strömförande verktyg är farliga i händerna på utbildade användare.
- e) **Håll koll på elverktuget och tillbehören. Kontrollera inriktningen eller fästet för rörliga delar, defekta delar och alla andra saker som kan påverka användningen av elverktuget. Om den skadats måste elverktuget repareras före användning.** Många olyckor orsakas av felaktigt underhållna elverktyg.
- f) **Håll sågverket skarpa och rena.** Korrekt underhållna skärverktyg med skarpa egg kommer inte att köra lika ofta och är enklare att kontrollera.
- g) **Använd elverktuget, tillbehören och verktygsbitsen etc. i enlighet med dessa anvisningar och på det sätt som avsetts för varje typ av elverktyg. Ha också i åtanke arbetsförehållandena och arbetet som skall utföras.** Använder du elverktyg för åtgärder som skiljer sig det avsedda arbetet kan det resultera i riskfyllda.
- h) **Håll handtag och greppytor torra, rena och fria från olja och fett.** Hala handtag och greppytor ger inte säker hantering och kontroll över verktyget i oväntade situationer.

## 5. ANVÄNDNING OCH SKÖTSEL AV SLADDLÖSA VERKTYG

- a) **Ladda bara med den laddare som tillverkaren anger.** En laddare som passar en typ av batteripaket kan medföra en risk för brand när den används till ett annat batteripaket.
- b) **Använd elverktyg bara tillsammans med det särskilt konstruerade batteripaketet.** Användning av andra batteripaket kan medföra en risk för personskador och brand.
- c) **När batteripaketet inte används ska det hållas borta från metallföremål som gem, mynt, nycklar, skruvar och andra små metallföremål som kan skapa kontakt mellan batteripaketets poler och kortsluta det.** En kortslutning kan orsaka brännskador och brand.
- d) **Undr olyckliga omständigheter kan vätska kommat ur batteriet. Undvik kontakt. Om den kommer i kontakt med huden, skölj med vatten. Om den kommer i kontakt med ögonen, skölj rikligt med vatten och sök läkarhjälp.** Vätska som kommer ut ur batteriet kan orsaka irritation eller brännskador.
- e) **Använd inte ett batteripack eller verktyg som skadats eller modifierats.** Skadade eller modifierade batterier kan uppvisa förväntade beteende som kan leda till brand, explosion eller skada.
- f) **Utsätt inte batteripack eller verktyg för eld**

eller höga temperaturer. Eld eller temperaturer som överstiger 130 °C kan orsaka explosioner.

- g) **Följ alla laddningsinstruktioner och ladda inte batteripacket eller verktyget utanför temperaturintervallen som anges i instruktionerna.** Felaktig laddning eller laddning i temperaturer utanför det angivna temperaturintervallen kan skada batteriet eller öka brandrisken.
- ## 6. UNDERHÅLL
- a) **Låt ditt elverktyg underhållas av en kvalificerad reparatör som bara använder äkta reservdelar.** Det kommer att garantera att elverktugets säkerhet bibehålls.
  - b) **Försök aldrig reparera skadade batteripack.** Batteripack får endast underhållas av tillverkaren eller behöriga servicetekniker.

## ROD SÅG SÄKERHETSVARNING










1. Håll polsågen på tillräckligt avstånd från kraftledningen.
2. Var uppmärksam på faran i driftsläget såväl som risken för att fallande grenar eller bulor träffar marken, och operatören kan drabbas av fallande grenar eller stöta grenar efter att ha träffat marken. Radera grenarna i varje avsnitt.
3. För att minska olycksrisken, se till att inga obehöriga finns i arbetsområdet när maskinen används.
4. Stå stadigt med god balans under arbetet. Använd det medföljande skyddet.
5. Stå stadigt med god balans under arbetet. Använd det medföljande skyddet.

SV

## BATTERISÄKERHET SÄKERHETSFÖRESKRIFTER FÖR BATTERIET

- a) **Ta inte isär batteriet, öppna inte heller batteriet eller sära på battericeller.**
- b) **Kortslut inte batteriet. Förvara inte batteriet på ett slarvigt sätt i en låda där det kan kortslutas eller skadas av ledande material.** När batteriet inte används, håll det borta från metallobjekt, såsom pappersgem, pengar, nycklar, naglar, skruvar eller andra små metallobjekt som kan leda ström från en terminal till en annan. Om batteriterminalerna kortsluter varandra kan de förorsaka brandrisk.
- c) **Exponera inte batteriet för eld eller värme. Undvik förvaring i direkt solljus.**
- d) **Utsätt inte batteriet för mekanisk chock.**
- e) **Om batteriet läcker, låt inte vätskan komma i kontakt med hud eller ögon. Om så ändå skulle hända, skölj med mycket vatten och sök läkarhjälp.**
- f) **Håll batteriet rent och torrt.**

- g) Torka av batteriet om det blir smutsigt med en torr, ren trasa.
- h) Batteriet måste laddas före användning. Använd den här bruksanvisningen för att ladda batteriet korrekt.
- i) Låt inte batteriet stå på laddning när det inte används.
- j) Efter lång tids användning kan det bli nödvändigt att ladda och ladda ur batteriet många gånger för att nå maximal prestanda.
- k) Ladda endast med laddare av varumärket Kress. Använd ingen annan laddare än den som specifikt ska användas med det här batteriet.
- l) Använd inte ett batteri som inte är avsett för användning med det här verktyget.
- m) Håll batteriet borta från barn.
- n) Behåll den ursprungliga bruksanvisningen för framtida användning.
- o) Plocka ur batteriet från verktyget då det inte används.
- p) Kassera batteriet på rätt sätt.
- q) Blanda inte celler från olika tillverkning, kapacitet, storlek eller typ inom en enhet.
- r) Håll batteriet borta från mikrovågor och högt tryck.
- s) Varning! Använd inte icke-uppladdningsbara batterier.


	Använd skyddsskor
	Keep sufficient distance away from electrical power lines. Håll tillräckligt avstånd från elektriska kraftledningar
	Li-Ion-batteri Denna product har märkts med en symbol för sopsortering för alla batterisatser. De kommer då att återvinnas och plockas isär för att minska påverkan på miljön. Batterisatser kan vara skadliga för miljön och för människors hälsa då de innehåller farliga substanser.
	Får ej brännas
	Batterierna kan komma in i vattnets kretslopp om de inte kasseras korrekt och detta kan vara skadligt för EKO-systemet. Kasta inte batterier i de vanliga osorterade hushållssoporna.
	Uttjänta elektriska produkter får inte kasseras som hushållsavfall. Återanvänd där det finns anläggningar för det. Kontakta dina lokala myndigheter eller återförsäljare för återvinningsråd.
	Miljövänlig avyttring av gamla elektriska apparaten betyder att de inte får kastas i de vanliga hushållssoporna utan måste lämnas till återvinningen. Avyttring på kommunala återvinningsstationer är gratis för privatpersoner. Ägaren till gamla apparater är ansvarig för att dessa lämnas för återvinning på en återvinningsstation eller på liknande plats. Med denna lilla personliga uppoffringen bidrar du till återvinning av värdefullt råmaterial och hanteringen av farliga substanser.
	Lås upp
	Lås

sv SPARA DESSA INSTRUKTIONER

## SYMBOLER

	För att minska risken för skador måste användaren läsa bruksanvisningen.
	VARNING
	Använd hörselskydd
	Använd skyddsglasögon
	Använd skyddsmask mot damm
	Använd huvudskydd
	Använd skyddshandskar

# MONTERING & HANTERING

 **OBS:** Innan du använder verktyget, läs noga igenom bruksanvisningen.

## MONTERING

 **VARNING!** Sätt inte i batteripaketet innan det har monterats helt.

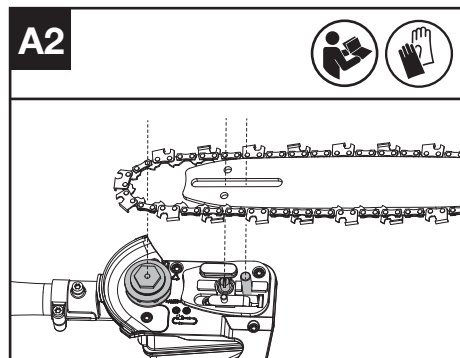
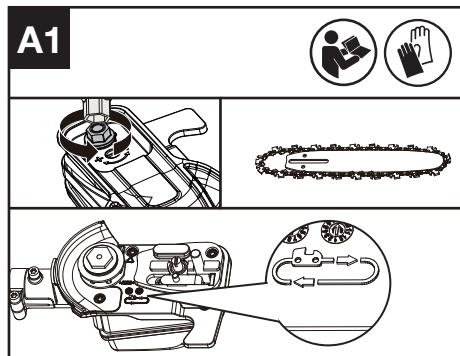
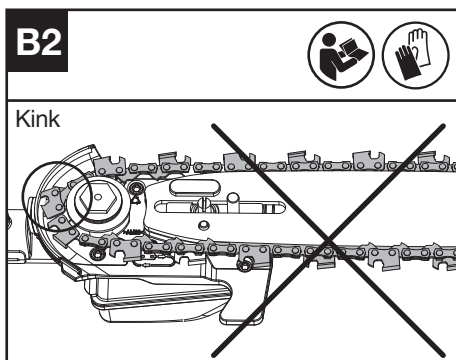
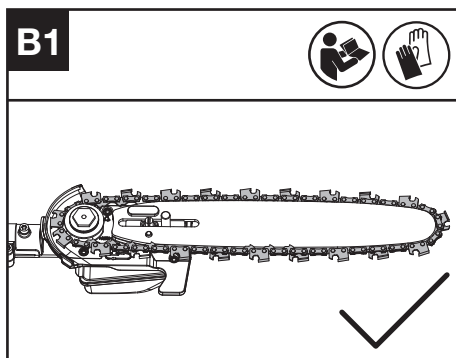
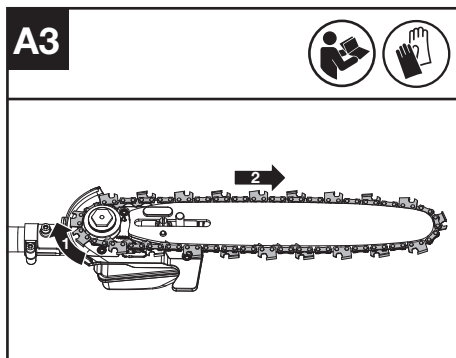
När sågkedjan hanteras ska alltid skyddshandskar användas.


### MONTERING AV KEDJA OCH SVÄRD

1. Lossa sexkantmuttern för att ta bort drivskyddet. Skjut kedjan i spåret runt svärdet. Se till att kedjan är i rätt löpningsriktning. (Se figur A1)
2. Fäst kedjan på kjädgården så att styrstångens stift på svärdfästet passar in i nyckelvägen till svärdets öppning. (Se figur A2, A3)
3. Se till att alla delar är korrekt placerade. Se till att drivlänkarna är helt placerade i kjädgården (Se figur B1), undvik krökning som visas i figur B2. Om en krökning uppstår, lyft på kedjan vid svärdet strax framför krökningen och dra sedan ut krökningen.

**OBS:** Kedjan ska rotera fritt men kräver en viss kraft för att rotera.

4. Fäst drivskyddet och dra åt sexkantsmuttern.



 **VARNING:** Kedjan är ännu inte spänd. Spänning av kedjan beskrivs under "Kedjespänning". Kedjan behöver nu inspekteras för att se till att den är ordentligt spänd.

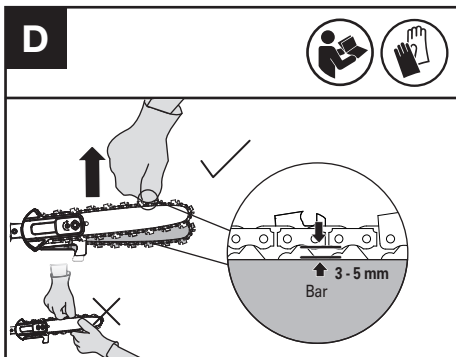
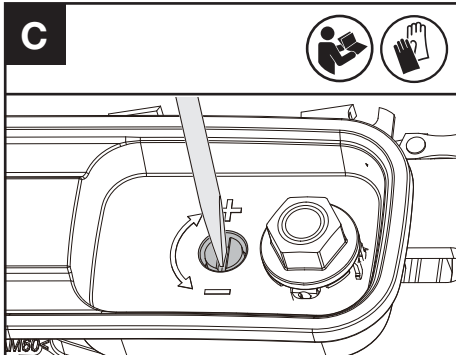
### KEDJESPÄNNING (Se figur C, D)

**OBS:** Nya sågkedjor kommer att anpassa sig till svärdet när de används för första gången. Kontrollera kedjespänningen frekvent när den används första gången och dra åt när kedjan blir lös runt svärdet.

- Ta bort batteripaketet innan du justerar kedjespänningen.
- Kedjans skärkanter är vassa. Använd

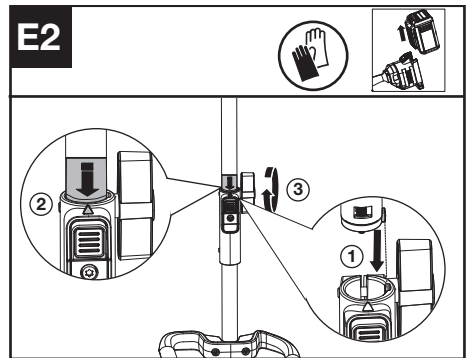
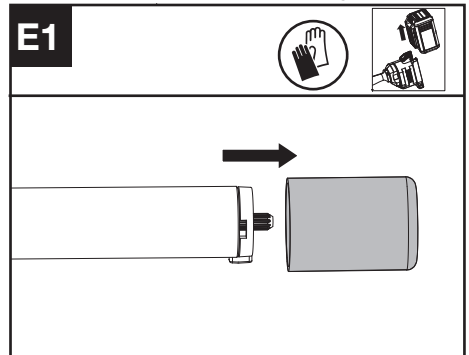
skyddshandskar när du hanterar kedjan.

- Bibehåll alltid rätt kedjespänning. En lös kedja kan hoppa ur svärdspåret. Detta kan skada användaren och kedjan. En lös kedja kommer att orsaka slitage på kedja, svärd och drivhjul.
1. Placera stängens på en lämplig plan yta och lossa sexkantskruv.
  2. Vrid kedjespännarskraven medurs tills den sitter hårt fast. (Se figur C)  
**OBS:** Spänningen ökar automatiskt när kedjespännarskraven vrids medurs. Dra sedan åt sexkantskraven ordentligt.
  3. Kontrollera spänningen som är inställd av kedjespännarskraven. Rätt kedjespänning uppnås när kedjan kan lyftas ungefär hälften av drivlänkens djup från svärdet i mitten. Detta bör göras genom att använda handen iförd handske för att lyfta kedjan mot maskinens vikt. (Se figur D)  
Dra sedan åt sexkantskraven helt.  
**OBS:** Kedjan är korrekt spänd när den kan lyftas från svärdet och drivlänken är inom svärdets räls.  
**OBS:** Kedjan kommer att bli lös under skärning och förlora korrekt spänning. När kedjan blir lös, lossa sexkantskraven, dra åt kedjespännarskraven igen och dra åt sexkantskraven igen för att korrekt återställa kedjespänningen enligt steg 1-3 ovan

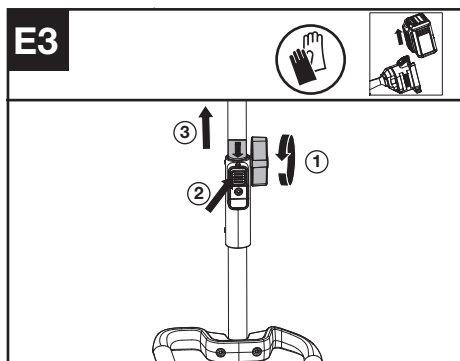


## Montering och demontering av krafthuvudet (Se figur E1, E2, E3)

1. Avlägsna skyddslocket från tillbehörsskaftets ände.
2. För att montera, rikta in triangelsymbolen på knappen mot piletiketten på tillbehörsskaftet.
3. Tryck samman skaften tills du hör ett "klickljud". Piletikettens kant ska vara nära skaftkopplingens hölje. (Obs: Om stängsågens krafthuvud inte kan installeras helt i krafthuvud, vrid stängsågens krafthuvud något tills det är möjligt att helt sätta i skaftet.)
4. Slutför monteringen genom att spänna vredet medurs.
5. För att demontera, lossa på vredet, vrid moturs, tryck på släppknappen och dra isär skaften. Sätt tillbaka skyddslocket på tillbehörsskaftet för att se till att damm och skräp inte tränger in i skaftet.







Monterings- och demonteringsinformation för förlängningsskafvet, se bilder E1, E2 och E3.

## KEDJESMÖRJNING (SE FIGUR F)

**!** **VIKTIGT:** Stängsågen är inte fylld med olja för kedja och svärd. Det är väsentligt att fylla på med olja för kedja och svärd innan användning. Använd aldrig stängsågen utan olja för kedja och svärd eller låt tanken bli tom, eftersom detta kan leda till omfattande skador på produkten.  
**OBS:** Kedjans livslängd och skärförmåga beror på optimal smörjning. Därför smörjs kedjan automatiskt under drift.

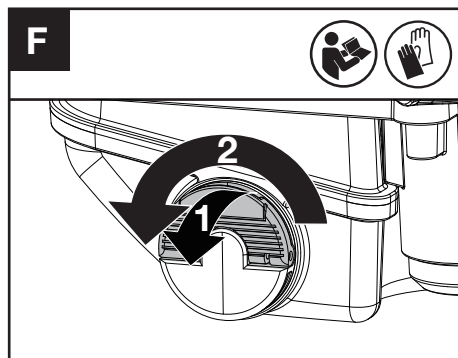
### FYLLNING AV OLJETANK:

**!** **VARNING:** Ta bort batteripaketet innan du fyller oljetanken.

1. Placera stängsågen på en lämplig yta med oljefyllningslocket vänd uppåt.
2. Rengör området runt oljefyllningslocket med en trasa och skruva av locket genom att vrida det moturs.
3. Tillsätt kedjeolja tills tanken är nästan helt full.
4. Undvik att smuts eller skräp kommer in i oljetanken, montera oljefyllningslocket och dra åt det genom att vrida medurs tills det är handfast.

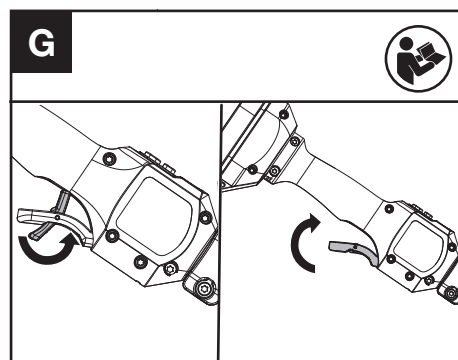
**!** Det är viktigt att använda smörjmedel för kedja och svärd (inte bilmotorolja) som är formulerat för att fungera över ett brett temperaturintervall utan att spädas ut. Detta kan hittas där du köpte sågen eller i din lokala järnhandel. Använd inte smutsiga, begagnade eller på annat sätt förorenade oljor. Skador kan uppstå på svärdet eller kedjan. Användning av icke godkänt smörjmedel för kedja och svärd ogiltigförklarar garantin.  
 Håll oljan utom räckhåll för barn. Vid förtäring,

kontakta omedelbart läkare. Förvara borta från värme eller öppen låga.



## ANVÄNDNING

### Starta stängsågen



1. Tryck först fram säkerhetslåsapak, krama sedan och håll in gasreglage för att starta maskinen.

**OBSERVERA:** Ytterligare detaljer finns i manualen för krafthuvudet.

### SÅGNING

**!** **VIKTIGT:** Kontrollera oljetanken regelbundet. Kontrollera utbytt kedjespänning varje gång du ska byta batteripaket.

- (1) Installera batteripaketet i maskinen.
- (2) Tillåt inte kedjan att komma i kontakt med marken under drift eftersom detta kommer att slita på kedjan.
- (3) Använd båda händerna för att hålla sågen.
- (4) Se till att du har stadigt fötfäste. Håll fötterna axelbrett isär. Fördela vikten jämnt på båda fötterna.
- (5) När du är redo att göra en sågning, följ ovanstående startprocedurer och hastighetsval.

Detta kommer att starta sågen. Att släppa avtryckaren kommer att stänga av sågen. Se till att sågen körs med full hastighet innan du påbörjar en sågning.

- (6) När du startar en sågning, placera sakta den rörliga kedjan mot träet. Träet bör vara så nära skärhuvudet som möjligt. Håll sågen stadigt på plats för att undvika eventuell studsning eller glidning (sidorörelse) av sågen.
- (7) Styr sågen med lätt tryck och använd inte överdriven kraft på sågen, låt sågen göra sitt arbete. Motorn kommer att överbelastas och kan brinna ut om för mycket kraft används. Den kommer att utföra jobbet bättre och säkrare i den hastighet den är avsedd för.
- (8) Ta bort sågen från en sågning som körs i full hastighet. Stoppa sågen. Se till att kedjan har stannat innan du lägger ner sågen.
- (9) Öva på spillved i en säker arbetsmiljö tills du känner dig bekväm med en jämn rörelse och en stadig klippshastighet.

## SÄKERHETSANORDNINGAR MOT KAST (REKYL) PÅ DENNA SÅG

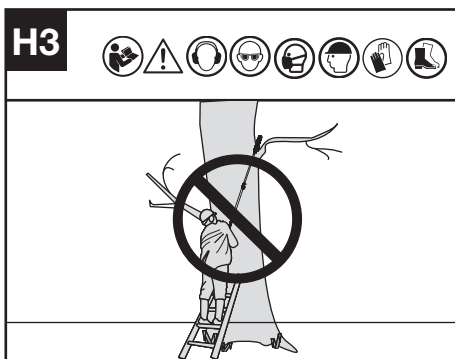
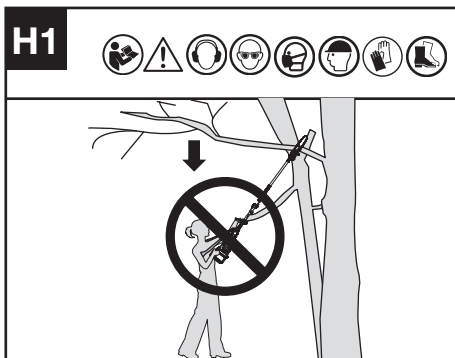
Denna såg har en lågkastkedja och svärd för minskat kast. Båda dessa minskar risken för kast. Men kast kan ändå uppstå med denna stångsåg.

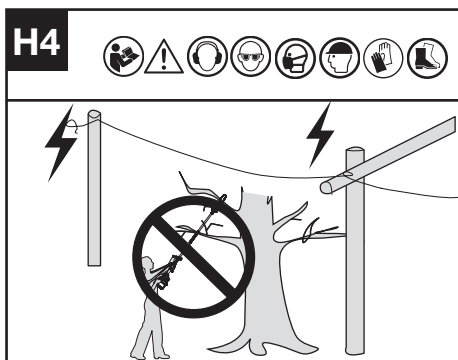
Följande steg kommer att minska risken för kast.

- Använd båda händerna för att hålla i sågen medan den är igång. Använd ett stadigt grepp.
- Se till att alla säkerhetsfunktioner på sågen är på plats och fungerar korrekt.
- Ha stadigt fotfäste och balans hela tiden.
- Stå något till vänster om sågen. Detta håller din kropp från att vara i direkt linje med kedjan.
- Låt inte spetsen på styret röra vid något när kedjan är i rörelse.
- Försök inte borra in i svärdets spets eller dyksåga (borra in i trä med hjälp av svärdets spets).
- Var uppmärksam på eventuell förskjutning av trä eller andra krafter som kan klämma åt kedjan.
- Använd stor försiktighet när du återvänder till ett tidigare snitt.
- Använd endast den lågryckande kedjan och guidestången som medföljde denna grensåg eller som rekommenderats.
- Använd aldrig en slö eller lös kedja. Håll kedjan vass med korrekt spänning.

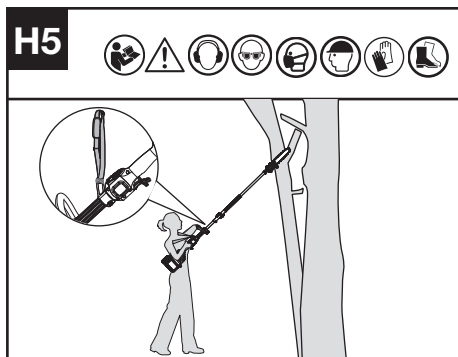
## ATT KLIPPA HÖGA GRENAR

1. Installera batteripaketet i maskinen.
2. Innan du klipper en hög gren, uppmärksamma särskilt den troliga vägen för den fallande grenen. **VARNING:** Stå inte direkt under en gren som klipps. Håll åskådare långt borta. Stå inte på en stege eller annan typ av instabilt stöd när du använder verktyget. Använd inte verktyget nära kablar, elektrisk kraft eller telefonledningar. Håll 10 fot (3 m) bort från alla kraftledningar (Se figur H1-H4)





3. Använd båda händerna för att greppa stängsågen och såga grenar.



## BESKÄRA TRÄD (KVISTRENSNING)

**VARNING:** Undvik kast (rekyl) eftersom det kan leda till svår skada eller dödsfall.

Se avsnittet Säkerhetsanordningar mot kast för att undvika risk för kast.

**VARNING:** Använd inte stängsågen medan du

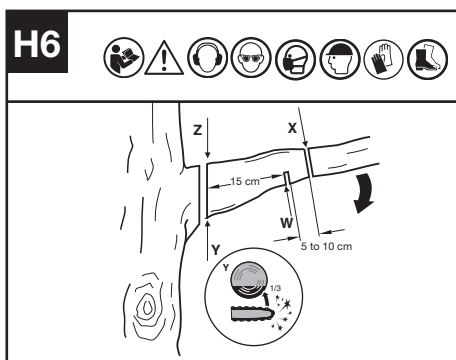
- är i ett träd
- står på en steg eller någon annan ostadig yta
- står i en besvärlig position

Du kan förlora kontrollen över stängsågen och orsaka allvarliga skador.

**VARNING:** uppsök professionell hjälp om du står inför förhållanden som är bortom din förmåga.

Trädbeskäring består av att ta bort kvistar från levande träd. Se till att du står stadigt. Håll fötterna axelbrett. Fördela din vikt jämnt på båda fötterna. Följ instruktionerna nedan för hur man beskär träd.

1. Gör det första snittet några tum (c) från trädstammen på undersidan av grenen. Använd svärdets ovansida för att göra detta snitt. Skär 1/3 genom grenens diameter (Se figur H6).



2. Flytta några tum (30% av c) längre upp på grenen. Gör det andra snittet ovanifrån grenen. Fortsätt skära tills du har skurit av grenen.
3. Gör det tredje snittet så nära trädstammen som möjligt och skär helt bort den återstående stubben. Använd undersidan av svärdet för att göra detta snitt.

## För batteriverktyg

Den rekommenderade omgivande temperaturintervallet för urladdning är -20 °C till 45 °C.

Det rekommenderade omgivningstemperaturintervallen för laddningssystem vid laddning är -5 °C~45 °C.

SV

## TRANSPORT

### Transportera stängsågen

1. Stäng av stängsågen och ta bort batteriet.
2. När du transporterar din stängsåg för hand, håll i sågens stång och se till att maskinen är parallell med marken och att stängen är riktad bakåt.
3. När du transporterar din stängsåg i fordon, säkra och placera den för att undvika rörelse och skada.

## UNDERHÅLL AV SÅG

Följ underhållsanvisningarna i denna manual.

Korrekt rengöring och underhåll av sågen, kedjan och styrskenan kan minska slitaget. Inspektera och underhåll sågen efter varje användning. Detta kommer att öka livslängden på din såg. Om sågen blir blöt i regnet under drift bör maskinen och batteripaketet torkas innan de förvaras eller laddas.

## UNDERHÅLL OCH FÖRVARING AV STÄNGSÅG

1. Ta bort batteripaketet
  - När det inte används

- Innan det flyttas från en plats till en annan
- Innan service
- Innan byte av tillbehör eller tillbehör, som sågkedja och skena

**2. Inspektera stängsågen före och efter varje användning.** Kontrollera sågen noggrant om skyddet eller annan del har skadats. Kontrollera om det finns några skador som kan påverka operatörens säkerhet eller sågens funktion. Kontrollera inriktning eller bindning av rörliga delar. Kontrollera om det finns trasiga eller skadade delar. Använd inte stängsågen om skador påverkar säkerheten eller funktionen. Låt skador repareras av auktoriserat servicecenter.

**3. Underhåll stängsågen med omsorg.**

- Håll kedjan vass, ren och smord för bättre och säkrare prestanda.
- Följ stegen i den här manualen för att vässa kedjan.
- Håll handtagen torra, rena och fria från olja och fett.
- Håll alla skruvar och muttrar ordentligt åtdragna.

**4. Vid service, använd endast identiska reservdelar.**

**5. När den inte används, förvara alltid stängsågen**

- på en hög eller låst plats, utom räckhåll för barn
- på en torr plats
- med skyddsfodralet på

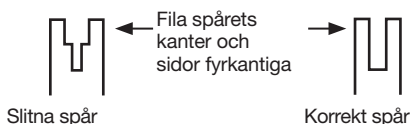
**TILLSTÅND SOM KRÄVER UNDERHÅLL AV KEDJA OCH SVÄRD :**

- Sågning av snitt till en sida eller i en vinkel.
- Sågen måste tvingas genom snittet.
- Otillräcklig försörjning av olja till svärd och kedja.

Kontrollera skicket på svärdet varje gång kedjan slipas. Ett slitet svärd skadar kedjan och gör kapningen svår.

Efter varje användning, och med enheten bortkopplad från strömkällan, ta bort alla sågspån från svärdet och kugghjulshålet.

Om skenans ovsida är ojämn kan du använda en flatfil för att återställa raka kanter och sidor.



Byt ut svärdet när spåret är utslitet, om svärdet är böjt eller sprucket, eller när överskottsvärme eller kraftiga hack uppstår i spåret. Om ersättning behövs, använd endast den styrskena som anges för din såg i reservdelslistan eller på dekalen som finns på stängen till sågen.

**BYTE/VÄNDNING AV SÅGKEDJA OCH SVÄRD**

Byt ut sågkedjan när tänderna är för slitna för att slipa eller när kedjan går sönder. Använd bara reservkedja som anges i denna bruksanvisning.

Kontrollera svärdet innan du slipar kedjan. Ett slitet eller trasigt svärd är inte säkert och kommer att förstöra sågkedjan, vilket gör det svårare att såga.

**SKÄRPNING AV SÅGKEDJA**

**! WARNING: Ta bort batteriet från sågen innan service. Allvarliga skador eller dödsolyckor kan inträffa av elstötar eller kroppskontakt med den rörliga kedjan.**

**Skåreggarna på kedjan är vassa. Använd skyddshandskar vid hantering av kedjan.**

Håll kedjan vass. Din såg skär snabbare och säkrare. En slö kedja kommer att orsaka onödigt slitage på kedjehjul, svärd, kedja och motor. Om du måste tvinga kedjan i trä och kapningen endast genererar sågspån med några få stora flagor är kedjan slö.

**Innan slipning, uppmärksamma följande steg: (Se figur J1)**

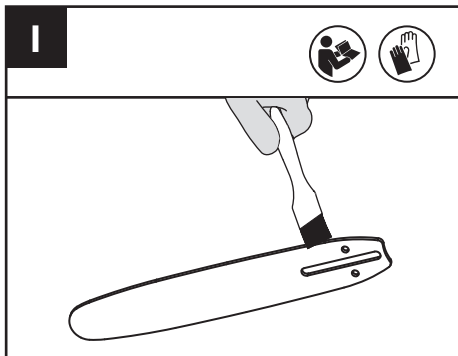
**SV UNDERHÅLL AV SVÄRD**

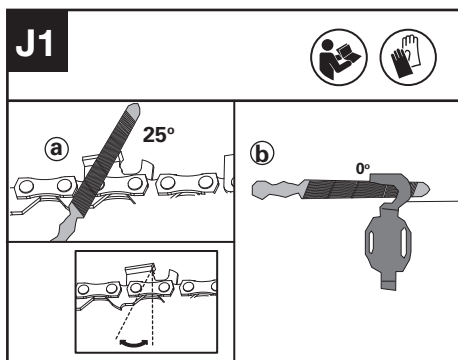
För att maximera svärdets livslängd rekommenderas följande underhållsåtgärder:

Skenorna som bär kedjan bör rengöras innan du ställer undan verktyget eller om svärdet eller kedjan verkar vara smutsig. Skenorna ska rengöras varje gång kedjan tas bort. Ibland kan det vara nödvändigt att avgrada skenorna med en platt fil.

**RENGÖRING AV SKENORNA**

1. Ta bort kedjeskydd och svärd samt kedja. (se sektion MONTERING)
2. Använd en stålborste, skruvmejsel eller liknande lämpligt verktyg och rensa bort rester från spåren på svärdet. (SE FIGUR I)
3. Se till att rensa oljekanalerna ordentligt.

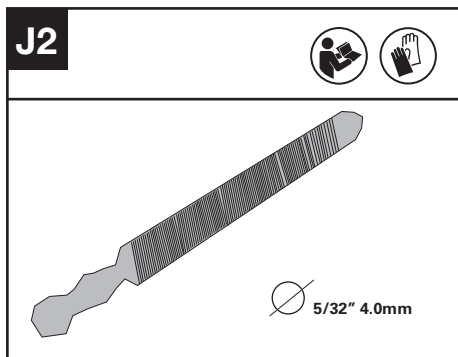




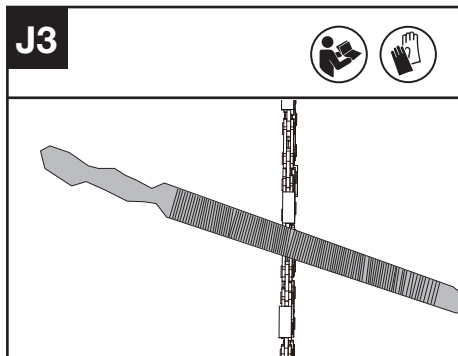
a: Filvinkel; b: filposition.

### Hur skären vässas

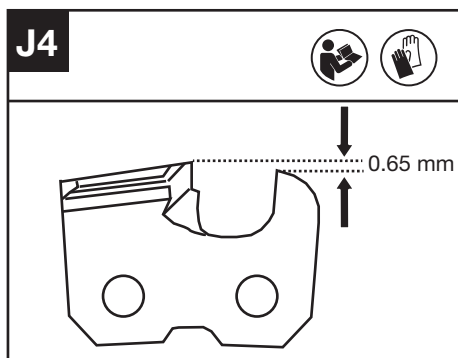
1. Ta fram en rund fil för att slipa motorsågens tänder. (Se figur J2) **OBS:** Sätt fast svärdet ordentligt i ett skruvstöd innan du börjar slipa kedjan. Säkerställ att kedjan inte är "klämd" och kan röra sig fritt på svärdet. Kontrollera att kedjan är ordentligt spänd. (Se avsnittet "Kedjespänning").



2. Slipa motorsågens skärtänder med fil från insidan av skärtänderna mot utsidan av kedjan. (Se figur J3)



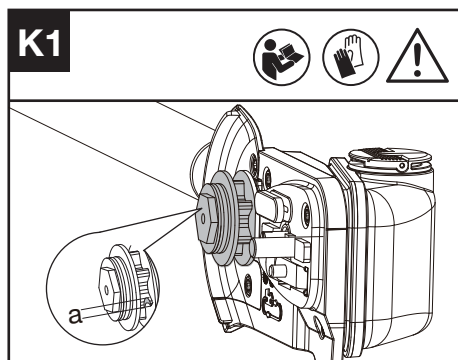
3. Slipa alla skärtänder på ena sidan av svärdet.
4. Vänd på motorsågen och slipa alla skärtänder på motsatt sida.
5. Säkerställ att längden på alla skärtänder är samma. För att säkerställa effektiv, säker och smidig klippning, fila djupmätarens höjd till 0,65 mm. Säkerställ att framkanten på djupmätaren är avrundad. (Se figur R4)

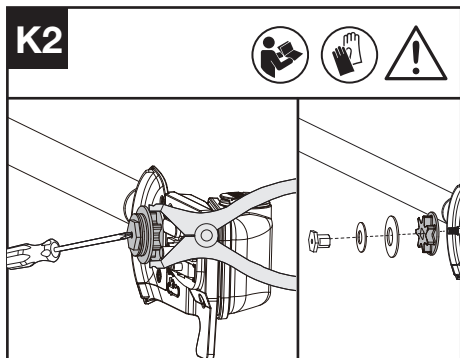


## INSPEKTION OCH UNDERHÅLL AV KEDJEHJULET

**! VARNING:** Innan du kontrollerar måste du stängsågen av stängen och ta bort batteriet.

1. Ta bort kåpan till för kedjehjulet, sågkedjan och svärdet.
2. Kontrollera om slitage är djupare än  $a=0,5$  mm enligt Fig. K1, om så är fallet måste kedjehjulet bytas ut. (Se figur K1)
3. När du byter kedjehjul, kontrollera det med en tång och använd en skruvmejsel för att lossa muttern och byta ut den. (Se figur K2)





## RENGÖRING

1. Stäng av stångsågen och ta bort batteriet.
2. Använd inte aggressiva rengöringsmedel eller lösningsmedel. Rengör maskinen efter användning med en fuktig trasa doppad i mildt rengöringsmedel.
3. Håll batterianslutningen fri från smuts och skräp och rengör med en mjuk och torr borste eller trasa.
4. Spreja inte vatten på motorn eller elektriska komponenter.
5. Använd inte vatten med tryck för att rengöra maskinen.

sv

## FÖRVARING

1. Ta bort batteripaketet från stångsågen innan du förvarar den.
2. Förvara stångsågen och batteriet på en torr och säker plats som är otillgänglig för barn och andra obehöriga personer.
3. När maskinen blivit blöt i regnet under drift bör maskinen och batteriet torkas före förvaring eller laddning. Ta ur batteriet och sätt tillbaka det om maskinen inte kan slås på.

# FELSÖKNING

Om elverkttyget inte fungerar felfritt, läs felsymtomerna i tabellen nedan som hänvisar till möjliga orsaker och åtgärder för avhjälpande av fel. Om du inte med hjälp av anvisningarna lyckas lokalisera och åtgärda problemet, ta kontakt med din serviceverkstad.



**OBSERVERA! Innan felsökning startas stäng av elverkttyget och ta bort batteriet.**

Symptom	Möjliga orsaker	Åtgärd
Barsågen kan inte användas	Batteri uttömt	Ladda batteriet
Stångsåg intermittent drift	Överhettning	Placera maskinen på en sval, ventilerad plats för att kyla ner den.
	Applicerar för mycket tryck under sågning	Applicera relativt mindre tryck under sågning.
	Lös anslutning	Uppsök serviceverkstad
	Intern glappkontakt	
Felaktig Av/på-knapp.		
Sågkedjan torr.	Ingen olja i oljetanken	Fyll på olja
	Ventilen i oljefyllningslocket är igensatt	Rengör oljefyllningslocket
	Oljeutloppskanalen tilltäppt	Åtgärda oljeutloppskanalen
Kedjan/styrskenan heta	Ingen olja i oljetanken	Fyll på olja
	Ventilen i oljefyllningslocket är igensatt	Rengör oljefyllningslocket
	Oljeutloppskanalen tilltäppt	Åtgärda oljeutloppskanalen
	Kedjespänningen för hög	Ställ in kedjespänningen
	Kedjan är oskarp	Efterslipa eller byt ut kedjan
Extrem såggrivning, vibration, såg är inte korrekt	Kedjespänningen för lös	Ställ in kedjespänningen
	Kedjan är oskarp	Efterslipa eller byt ut kedjan
	Kedjan försliten	Byt ut kedjan
	Sågtänderna riktade åt fel håll	Montera sågkedjan på nytt med tänderna i rätt riktning

SV

## TEKNISK INFORMATION

	KAC361
Svärdlängd	25 cm
Kedjehastighet	Hög: 17 m/s Låg: 13 m/s
Oljebehållarens volym	160 ml
Kedjedelning	3/8" LP
Kedjemätare	1.1 mm
Skyddsgrad	IPX4
Maskinens vikt	1.8 kg

## KOMBINATION AV SÅGUTRUSTNING

### Sågutrustning

KAC333-10"/25cm 0.043"/1.1mm 3/8 LP Svärd
KAC302-10"/25cm 0.043"/1.1mm 3/8 LP Sågkedja
KAC335-12"/30cm 0.043"/1.1mm 3/8 LP Svärd
KAC304-12"/30cm 0.043"/1.1mm 3/8 LP Sågkedja

## INFORMATION MED FÖRLÄNGNINGSSKAFT (KAC360)

### BULLERINFORMATION

Ett uppmätt ljudtryck	$L_{pA} = 79 \text{ dB(A)}$ $K_{pA} = 3,0 \text{ dB(A)}$
En uppmätt ljudstyrka	$L_{wA} = 94,1 \text{ dB(A)}$ $K_{wA} = 1,1 \text{ dB(A)}$

Använd hörselskydd.



### VIBRATIONSINFORMATION

Vibration totalvärde (triaxvektor-summa) fastställd i enlighet med EN ISO 11680-1.

Typisk uppmätt vibrering	$a_n = 1,3 \text{ m/s}^2$ Osäkerhet $K = 1,5 \text{ m/s}^2$
--------------------------	---

## INFORMATION UTAN FÖRLÄNGNINGSSKAFT BULLERINFORMATION

Ett uppmätt ljudtryck  $L_{pA} = 82 \text{ dB(A)}$   
 $K_{pA} = 3,0 \text{ dB(A)}$

En uppmätt ljudstyrka  $L_{wA} = 93 \text{ dB(A)}$   
 $K_{wA} = 1,5 \text{ dB(A)}$

Använd hörselskydd.



### VIBRATIONSINFORMATION

Vibration totalvärde (triaxvektor-summa) fastställd i enlighet med EN ISO 11680-1.

Typisk uppmätt vibrering	$a_n = 1,87 \text{ m/s}^2$ Osäkerhet $K = 1,5 \text{ m/s}^2$
--------------------------	--

Det angivna totala vibrationsvärdet kan användas för att jämföra olika verktyg med varandra samt vid en preliminär exponeringsutvärdering.

**! VARNING:** Vibrationsvärde vid verklig användning av maskinverktyget kan skilja sig åt från det deklarerade värdet beroende på hur verktyget används och beroende på följande exempel och andra variationer om hur verktyget används:

Hur verktyget används och materialet som skärs eller borras.

Verktyget är i bra skick och bra underhållet.

Användning av korrekt tillbehör för verktyget och säkerställ att de är skarpa och i bra skick.

Åtdragningsgraden av greppet på handtaget och om några antivibrationstillbehör används.

Och att verktyget används såsom avsett enligt dess konstruktion och dessa instruktioner.

Detta verktyg kan orsaka hand-arm vibrationssyndrom om det används på felaktigt sätt.

**! VARNING:** För att vara korrekt bör en beräkning av exponeringsnivån under verkliga förhållanden vid användning också tas med för alla delar av hanteringscykeln såsom tiden när verktyget är avstängt och när det körs på tomgång utan att utföra något arbete. Detta kan betydligt minska exponeringsnivån över den totala arbetsperioden. Hjälp för att minimera risken för vibrationsexponering.

Använd ALLTID skarpa mejslar, borrar och blad.


Underhåll verktyget i enlighet med dessa instruktioner och håll det välsmord (där så behövs)

Om verktyget ska användas regelbundet, investera i antivibrationstillbehör.

Planera ditt arbetsschema för att sprida ut användning av kraftigt vibrerande verktyg över flera dagar.



# MILJÖSKYDD

 Uttjänade elektriska maskiner får inte kasseras som hushållsavfall. Använd återvinningsfaciliteter om det finns tillgängligt. Kontrollera med din återförsäljare eller vilka lokala föreskrifter som föreligger.

Allen Ding  
Vice chefsingenjör, tester och certifiering  
Positec Technology (China) Co., Ltd.  
18, Dongwang Road, Suzhou Industrial  
Park, Jiangsu 215123, P. R. China

## DEKLARATION OM ÖVERENSSTÄMMELSE

VI,  
Positec Germany GmbH  
Postfach 680194, 50704 Cologne, Germany

Deklarerar att denna produkt,

**Beskrivning:** Batteridriven teleskopstångsåg

**Typ:** KAC361 (361- beteckning för maskineri, representativt för stångsågen)

**Funktion:** Kapning av höga grenar

Uppfyller följande direktiv,  
**2006/42/EC, 2014/30/EU, 2011/65/EU & (EU)2015/863, 2000/14/EC ändrad av 2005/88/EC**

Berört notifierat organ:

Namn: Intertek Deutschland GmbH (Berört notifierat organ 0905)

Address: Stangenstraße 1, 70771 LEINFELDEN-ECHTERDINGEN

Certifiering nr: 23SHW1231

### Information med förlängningsskaft (KAC360)

2000/14/EC ändrad av 2005/88/EC:

- Konformitetsutvärderingsprocedur enligt Bilaga V
- Uppmätt bullernivå 94 dB(A)
- Deklarerad garanterad bullernivå 96 dB(A)

### Information utan förlängningsskaft

2000/14/EC ändrad av 2005/88/EC:

- Konformitetsutvärderingsprocedur enligt Bilaga V
- Uppmätt bullernivå 93 dB(A)
- Deklarerad garanterad bullernivå 95 dB(A)

Standarder överensstämmer med:

**EN 62841-1, EN ISO 11680-1, EN ISO 3744, EN IEC 55014-1, EN IEC 55014-2, EN IEC 63000**

Personen som godkänts att sammanställa den tekniska filen

**Namn Marcel Filz**

**Adress Positec Germany GmbH**

**Postfach 680194, 50704 Cologne, Germany**



2024/01/26







Copyright © 2024, Positec. All Rights Reserved.  
AR01756000