

PICO OUTDOOR *DESIGN CENTER 2020*
COFFEE AND SIDE TABLES

PICO OUTDOOR | *DESIGN CENTER* | 2020

SMALL TABLE

Structure in aluminum with epoxy powder-coat finish in white 100, wine red 405, khaki green 705, grey, burnished, matt titanium 710 or with embossed lacquered finish in white 300, sand 310, brick 320, sage green 330, terracotta 325, forest green 335, charcoal 350.

Elevated top in solid iroko slats, natural finish, stained grey, stained brown, or lacquered white finish. Supports and screws in 316 stainless steel, spacers in die-cast Zama, epoxy powder-coated with transparent finish. Or in the following types of stone: Lava, Porphyry, Cardoso, Beola Argentata. With stone tops, there is a painted plywood underpanel

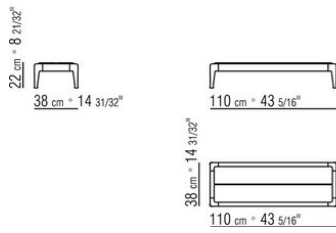
Recessed top in solid iroko slats, natural finish, stained grey, stained brown, or lacquered white finish

Legs in cast aluminum with epoxy powder-coat finish in the following colors: white 100, wine red 405, khaki green 705, grey, burnished, matt titanium 710 or with embossed lacquered finish in white 300, sand 310, brick 320, sage green 330, terracotta 325, forest green 335, charcoal 350.

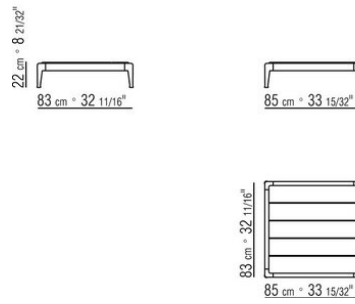
Rest on tips made of thermoplastic material

Cover in waterproof material; cover is upon request, with upcharge

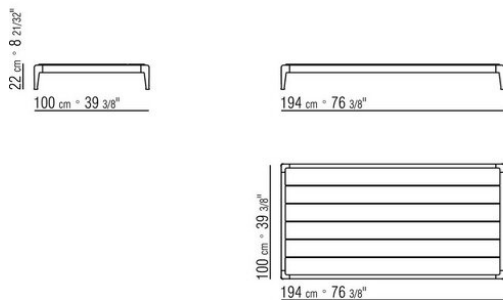
COD. 0283F1



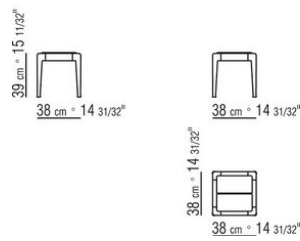
COD. 0283F2



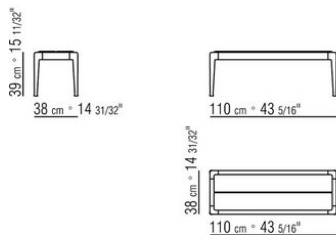
COD. 0283F3



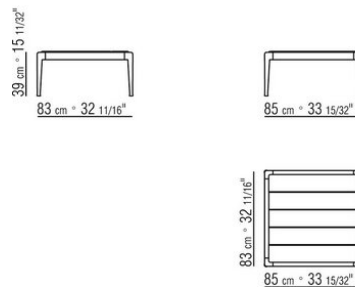
COD. 0283F4



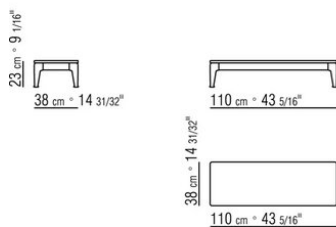
COD. 0283F5



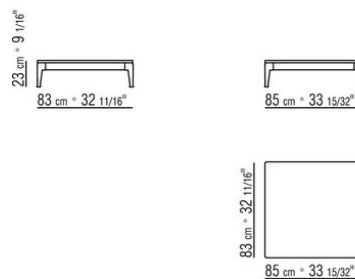
COD. 0283F6



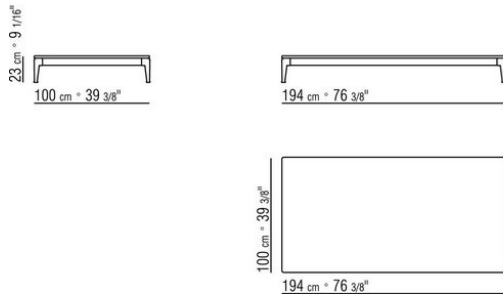
COD. 0283H1



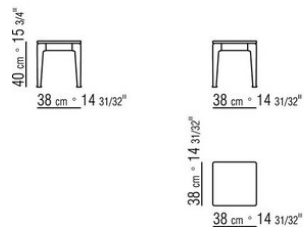
COD. 0283H2



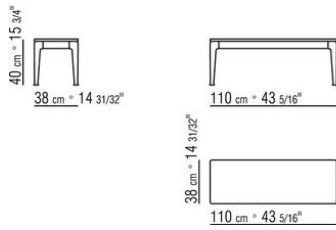
COD. 0283H3



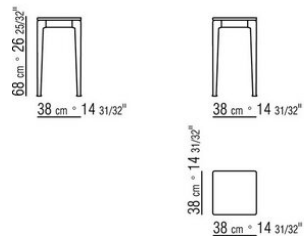
COD. 0283H4



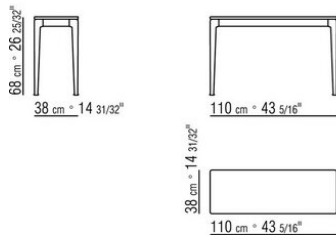
COD. 0283H5



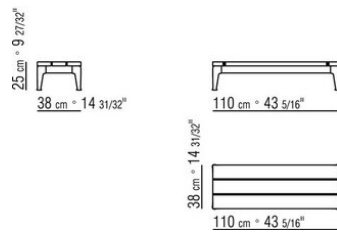
COD. 0283H8



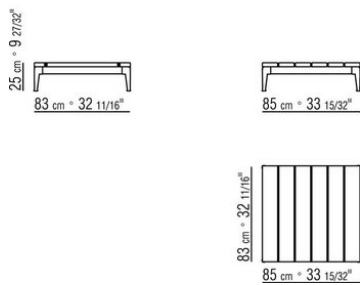
COD. 0283H9



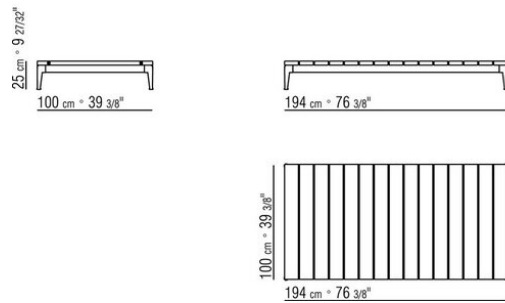
COD. 0283K1



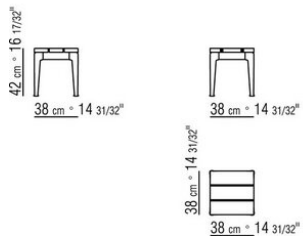
COD. 0283K2



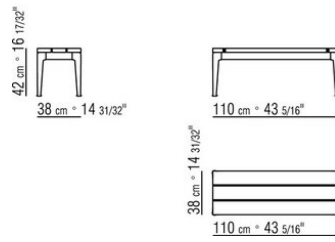
COD. 0283K3



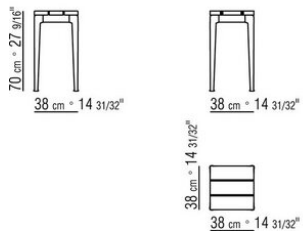
COD. 0283K4



COD. 0283K5



COD. 0283K8



COD. 0283K9

