



PICO OUTDOOR *DESIGN CENTER 2020*

TABLES

PICO OUTDOOR | *DESIGN CENTER* | 2020

TABLE

Structure in aluminum with epoxy powder-coat finish in white 100, wine red 405, khaki green 705, grey, burnished, matt titanium 710 or with embossed lacquered finish in white 300, sand 310, brick 320, sage green 330, terracotta 325, forest green 335, charcoal 350

Elevated top in solid iroko slats, natural finish, stained grey, stained brown, or lacquered white finish. Supports and screws in 316 stainless steel, spacers in die-cast Zama, epoxy powder-coated with transparent finish. Or in the following types of stone: Lava, Porphyry, Cardoso, Beola Argentata. With stone tops, there is a painted plywood underpanel

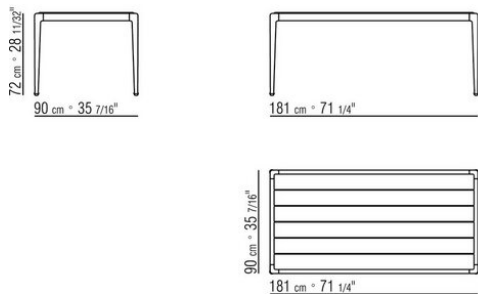
Recessed top in solid iroko slats, natural finish, stained grey, stained brown, or lacquered white finish

Legs in cast aluminum with epoxy powder-coat finish in the following colors: white 100, wine red 405, khaki green 705, grey, burnished, matt titanium 710 or with embossed lacquered finish in white 300, sand 310, brick 320, sage green 330, terracotta 325, forest green 335, charcoal 350

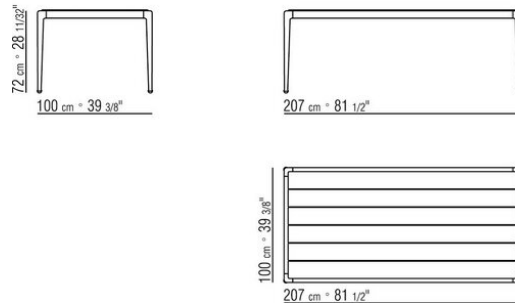
Rest on tips made of thermoplastic material

Cover in waterproof material; cover is upon request, with upcharge

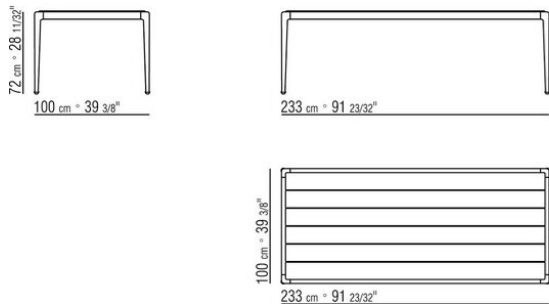
COD. 0283G4



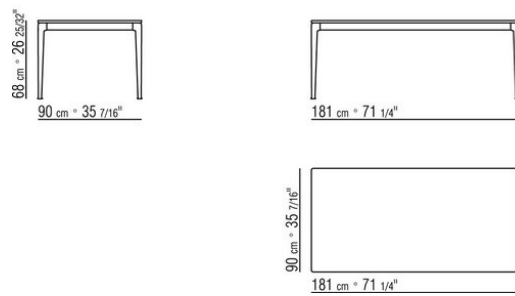
COD. 0283G5



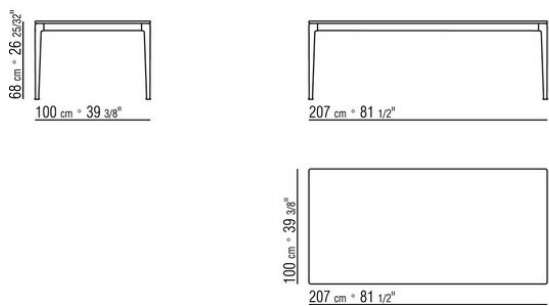
COD. 0283G6



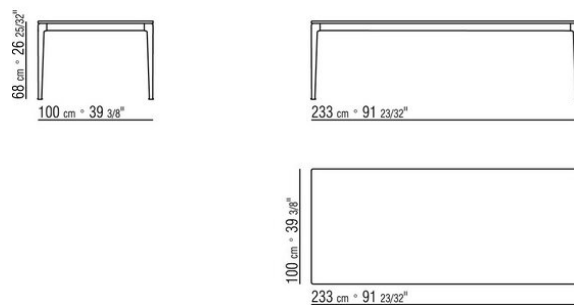
COD. 0283L0



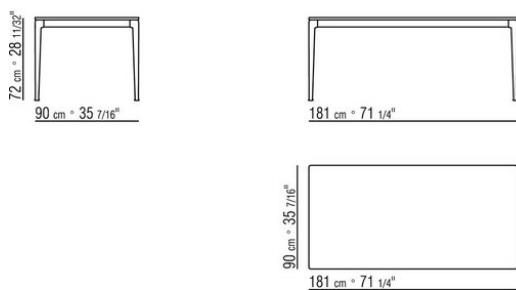
COD. 0283L1



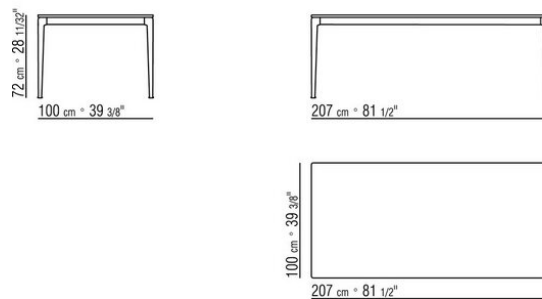
COD. 0283L2



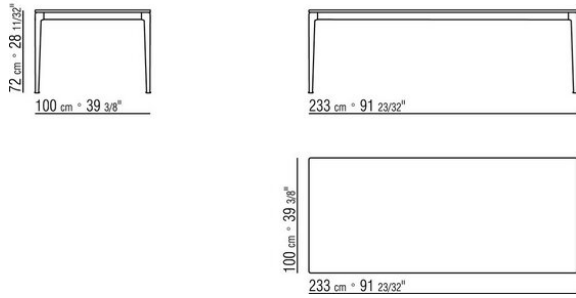
COD. 0283L4



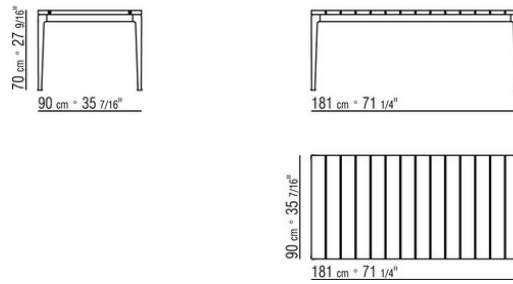
COD. 0283L5



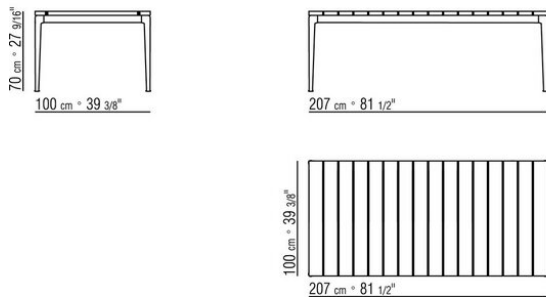
COD. 0283L6



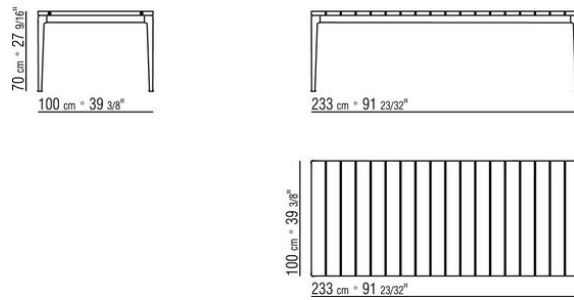
COD. 0283M0



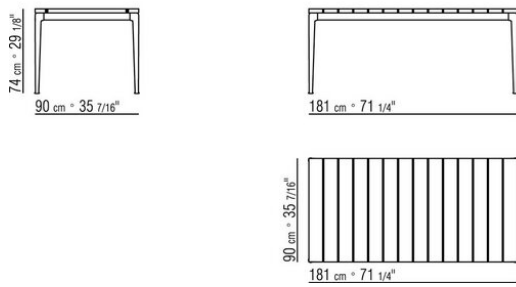
COD. 0283M1



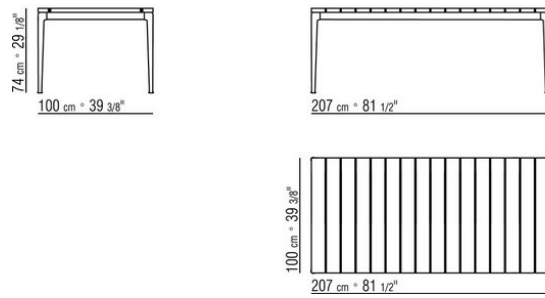
COD. 0283M2



COD. 0283M4



COD. 0283M5



COD. 0283M6

