



EDEN ANTONIO CITTERIO 2010
BEDS/BED ACCESSORIES

EDEN | ANTONIO CITTERIO | 2010

Rigid base in plywood with polyurethane foam padding, covered with a protective laminated fabric

Base with storage that opens, metal platform with wood slats

Bedframe in plywood with polyurethane foam padding, covered with a protective laminated fabric

Base with metal platform with wood slats, adjustable to four height positions: 1st 4.5 cm, 2nd 7.3 cm, 3rd 9.5 cm, 4th 12.6 cm; double-check there is sufficient space to support the platform inside the bed, as shown in the figure

Bedframe in plywood with polyurethane foam padding, covered with a protective laminated fabric

Headboard in wood covered with hide leather: russian red 5008, olive 5006, black 5005, dark brown 5004, dark brown extra 5013, grey 5003, sand 5001, tobacco 5015

In the eden plus version, the headboard has adjustable side panels also clad in cowhide

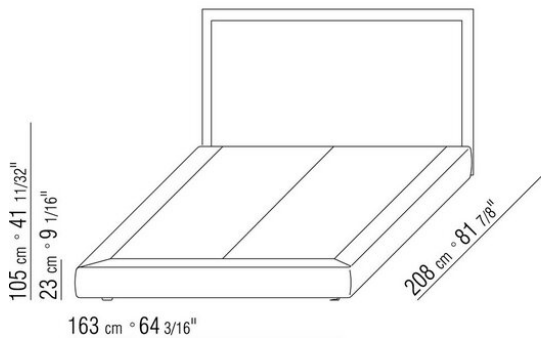
Feet in black plastic

The eden plus version has metal feet with satin, chrome, black chrome, burnished, glossy anthracite, matt titanium 710 finish

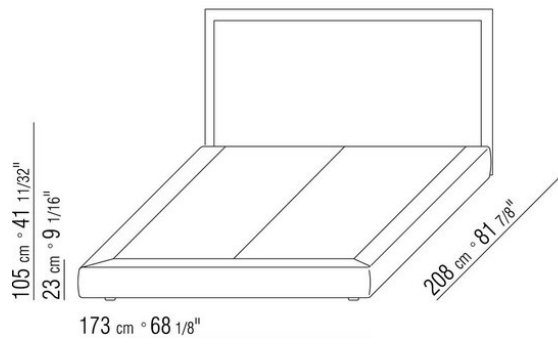
Upholstery is removable in both the fabric and leather versions

Please note: the platform with wooden slats is delivered divided in 2 pieces. Except for the version with storage base

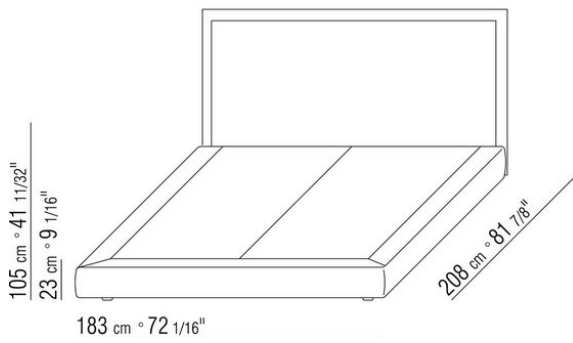
COD. 015FL1



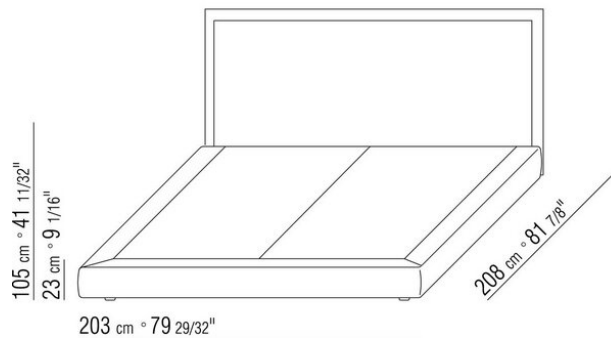
COD. 015FL2



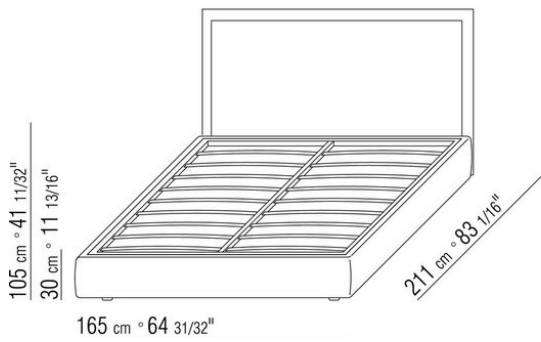
COD. 015FL3



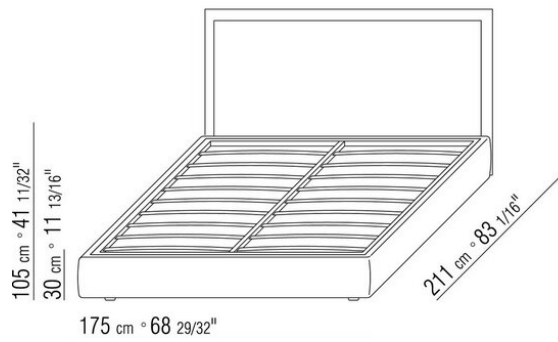
COD. 015FL5



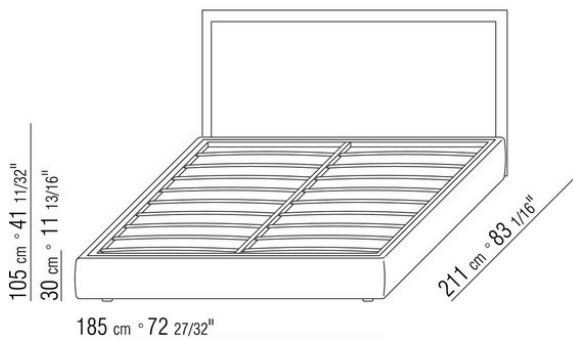
COD. 015FM1



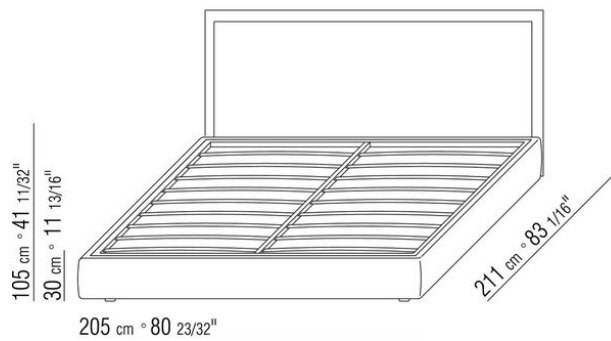
COD. 015FM2



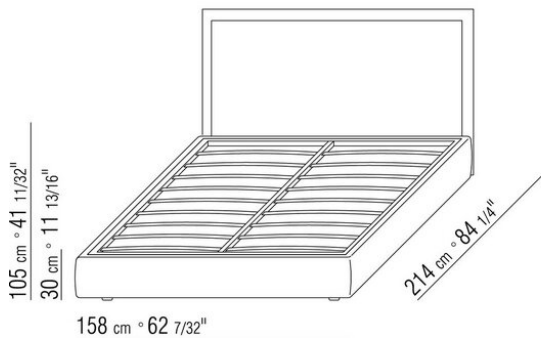
COD. 015FM3



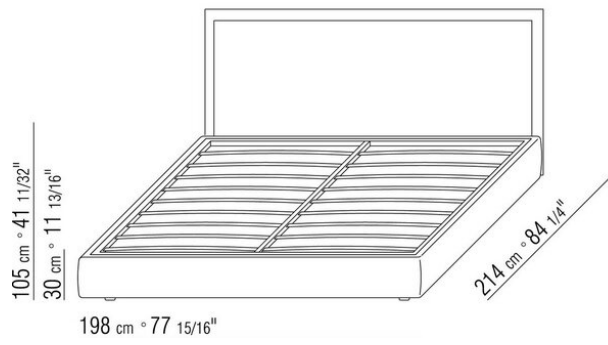
COD. 015FM5



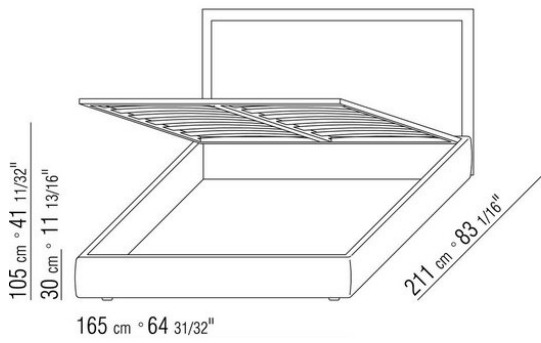
COD. 015FM6



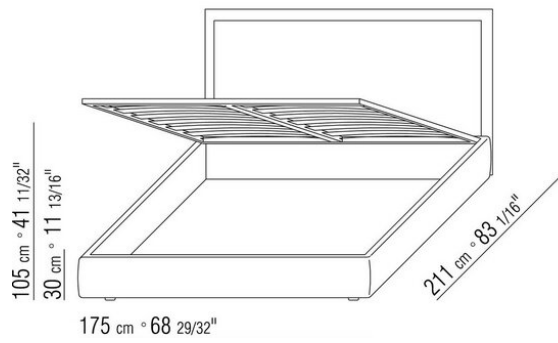
COD. 015FM8



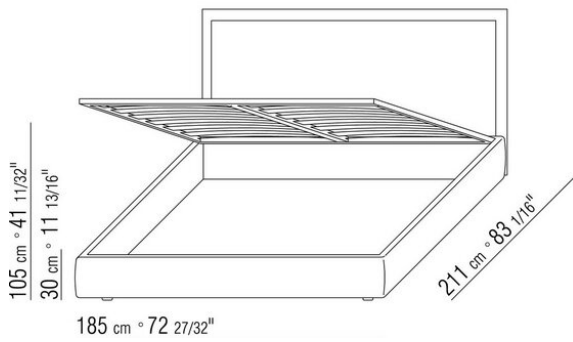
COD. 015FN1



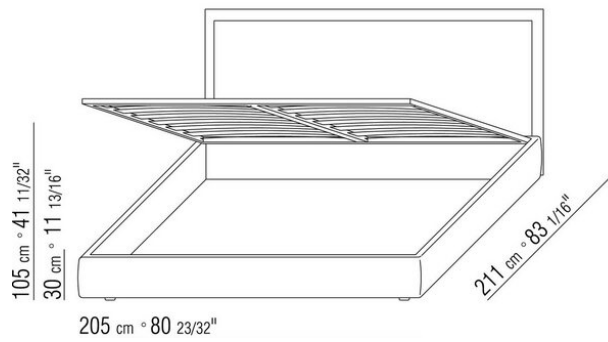
COD. 015FN2



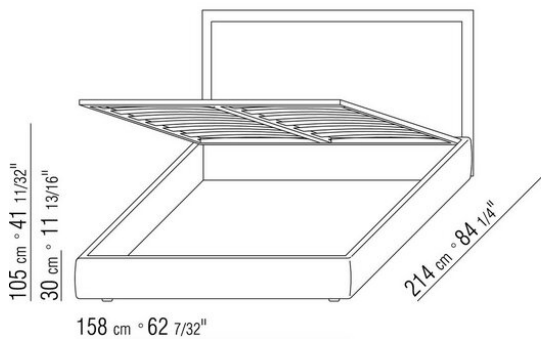
COD. 015FN3



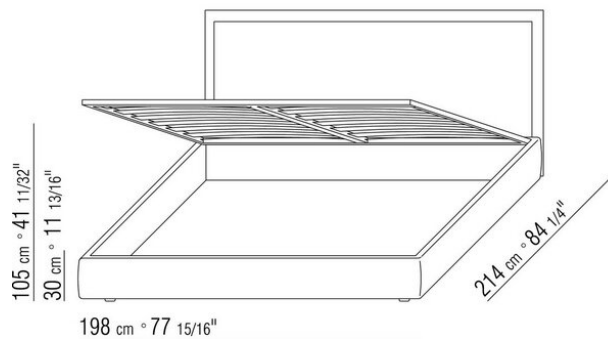
COD. 015FN5



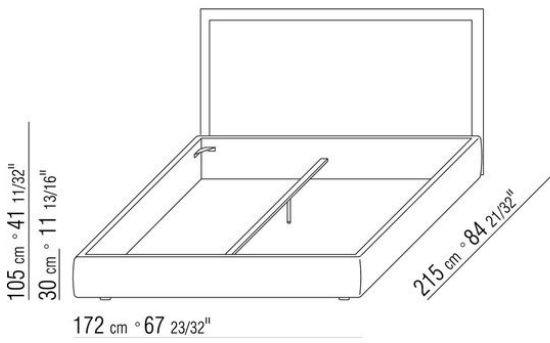
COD. 015FN6



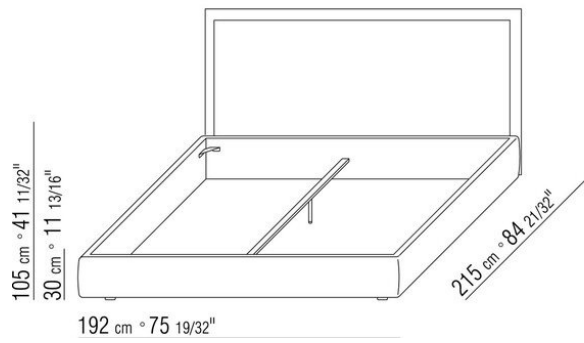
COD. 015FN8



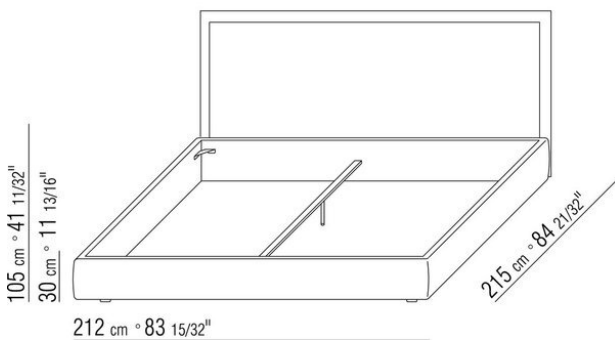
COD. 015FVA



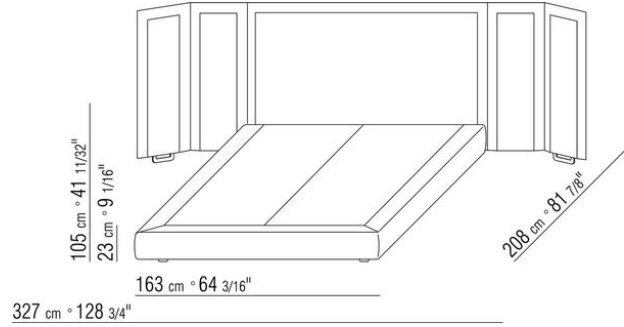
COD. 015FVC



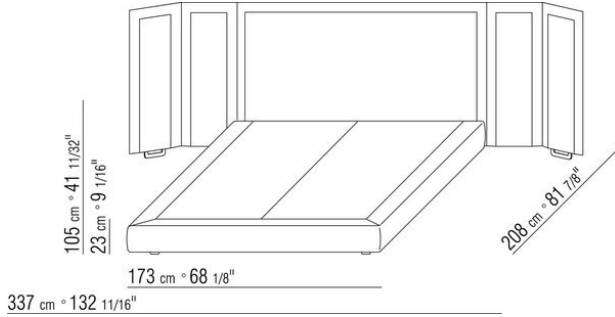
COD. 015FVE



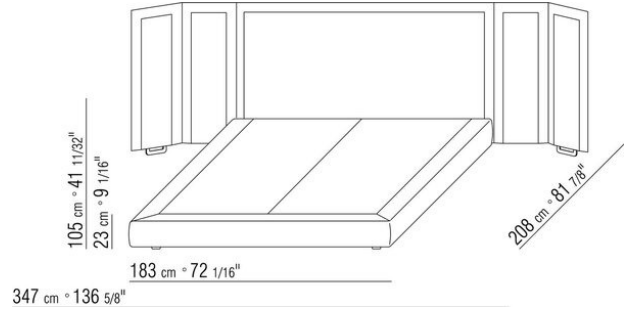
COD. 015FP1



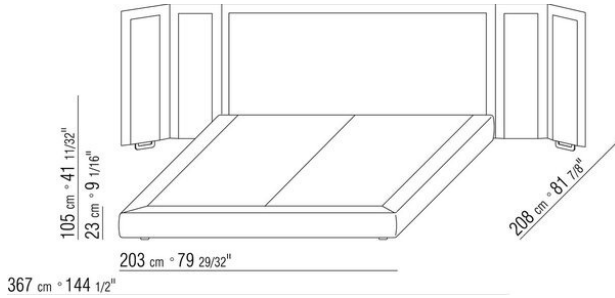
COD. 015FP2



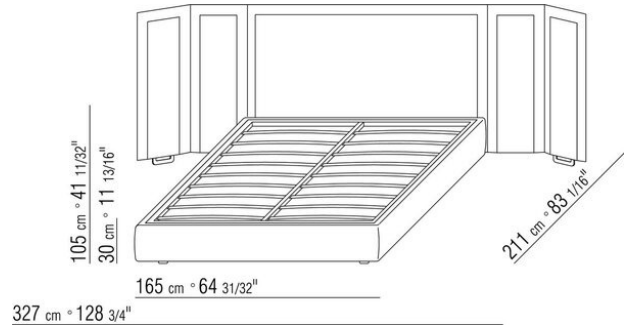
COD. 015FP3



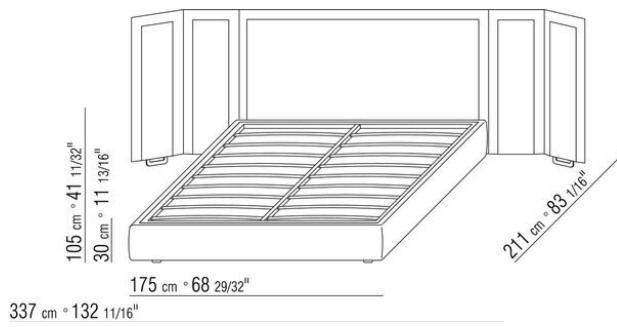
COD. 015FP5



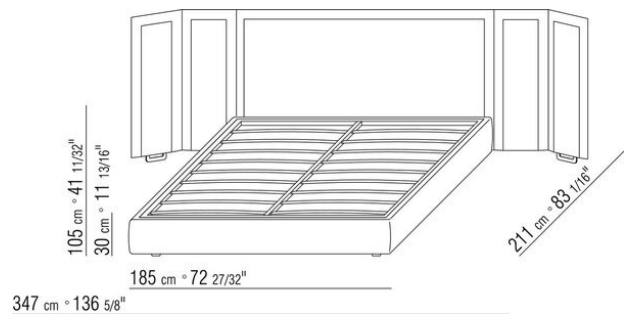
COD. 015FQ1



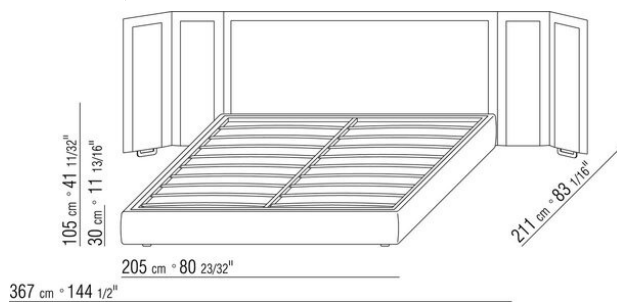
COD. 015FQ2



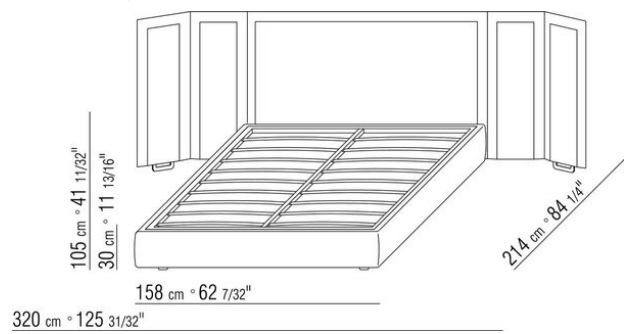
COD. 015FQ3



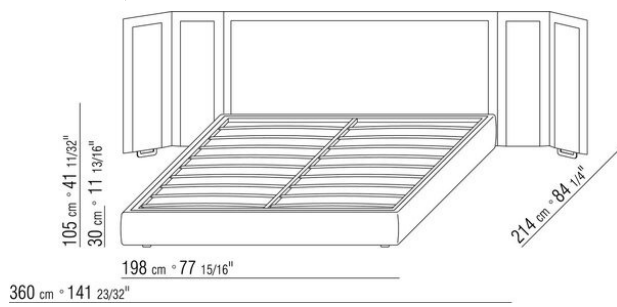
COD. 015FQ5



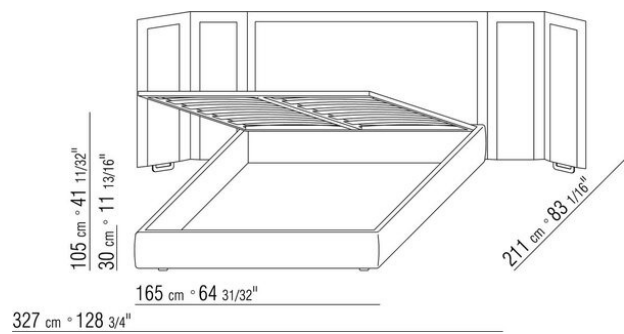
COD. 015FQ6



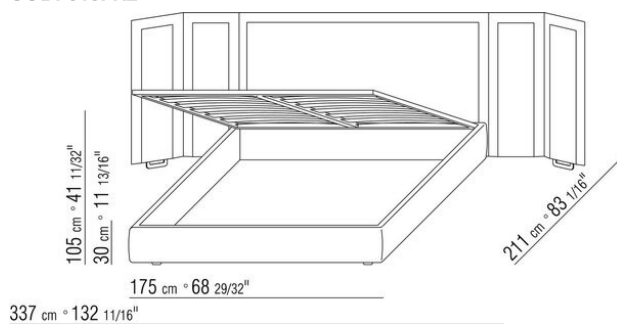
COD. 015FQ8



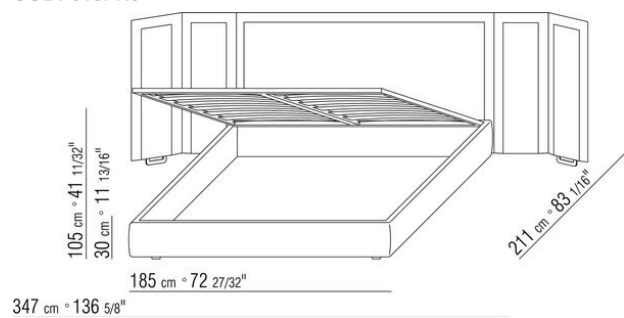
COD. 015FR1



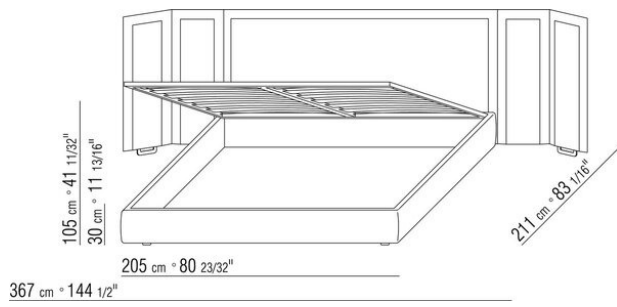
COD. 015FR2



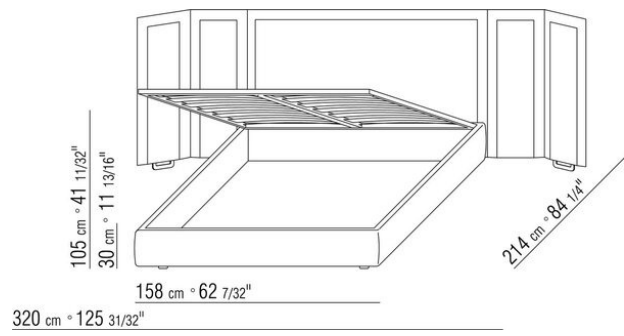
COD. 015FR3



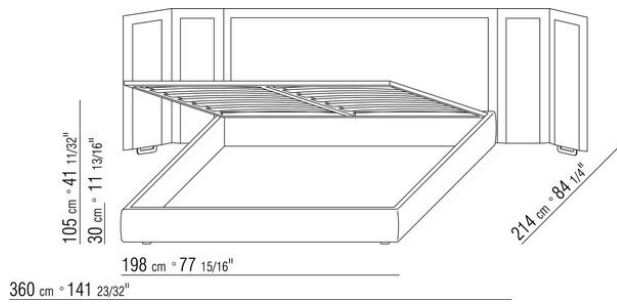
COD. 015FR5



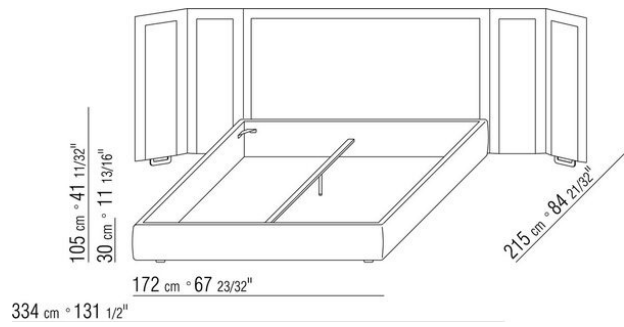
COD. 015FR6



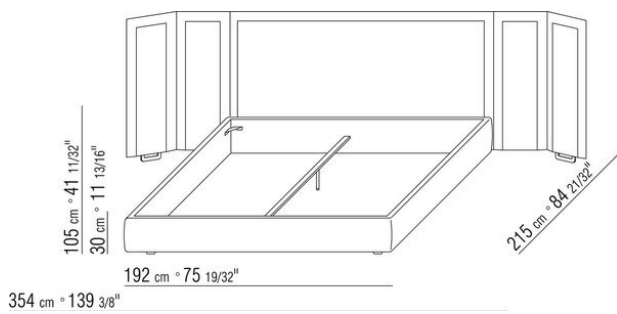
COD. 015FR8



COD. 015FYA



COD. 015FYC



COD. 015FYE

