

FLEXFORM



BOSS DESIGN CENTER 2008
ARMCHAIRS

FLEXFORM Spa

Via Einaudi 23/25 20821 Meda (MB) Italy | Tel. +39 0362 3991 | info@flexform.it | www.flexform.it

BOSS | *DESIGN CENTER* | 2008

Armchair structure in metal with molded polyurethane padding, covered with a protective laminated fabric

Seat cushion in sterilized goose down (Assopiuma certified, gold label) with insert in crushproof material

Backrest cushion in sterilized goose down (Assopiuma certified, gold label)

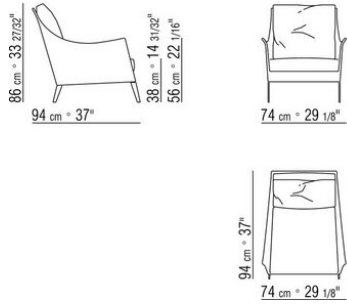
Feet in metal with satin, chrome, black chrome, burnished or glossy anthracite

finish. Rests on pads made of thermoplastic material

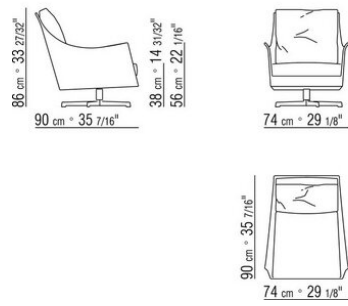
Armchair with swivel base in cast aluminum with satin, chrome, black chrome, burnished or glossy anthracite finish. Rests on pads made of thermoplastic material

Upholstery is removable in both the fabric and leather versions

COD. 014N11



COD. 014N01



COD. 014N50

