

# Kress

## Commercial



60V 4.0Ah CyberPack	EN	P03
60V 4,0Ah CyberPack	D	P10
CyberPack 60 V 4.0 Ah	F	P17
CyberPack 60V 4.0Ah	I	P24
CyberPack 60V 4,0Ah	ES	P30
60 V 4.0 Ah CyberPack	PT	P36
60V 4.0Ah CyberPack	NL	P42
60 V/4,0 Ah-s CyberPack	HU	P48
CyberPack 60 V 4.0 Ah	RO	P54
CyberPack 60 V 4,0 Ah	PL	P60
Baterie 60 V 4.0 Ah CyberPack	CZ	P67
60V 4.0Ah CyberPack	SK	P73
60 V 4,0 Ah CyberPack	SL	P79
60V 4.0Ah CyberPack	HR	P85
60 V 4,0 Ah CyberPack	DK	P91
60 V 4,0 Ah CyberPack	FIN	P97
60 V 4,0 Ah CyberPack	NOR	P103
60V 4,0Ah CyberPack	SV	P109

**KAC804**



# TABLE OF CONTENTS

Introduction.....	3
Component List.....	4
Product Safety.....	5
OperationInstructions.....	6
How to charge the battery.....	7
Storage.....	7
Transport.....	7
Maintenance and Service.....	7
Technical Data.....	8
Environmental Protection.....	8
Declaration of Conformity.....	8

---

EN

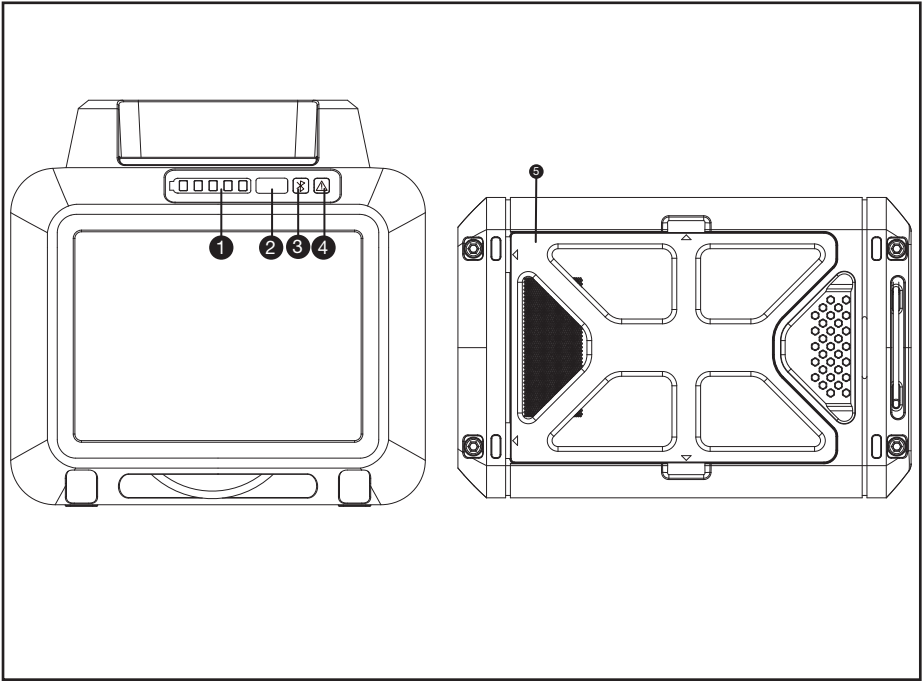
## INTRODUCTION

Dear Customer,

Thank you for buying this Kress Commercial product. We are dedicated to developing high quality products to meet your commercial landscaping requirements.

The Kress brand is synonymous with premium quality service. Over the years of your product's life, if you have any questions or concerns about your product, please contact your dealer or our Customer Service Team for assistance.

We are confident you will enjoy working with your Kress product for years to come.



EN

## COMPONENT LIST

- |    |                           |
|----|---------------------------|
| 1. | BATTERY INDICATOR LIGHT   |
| 2. | POWER TEST BUTTON         |
| 3. | BLUETOOTH INDICATOR LIGHT |
| 4. | FAULT INDICATOR LIGHT     |
| 5. | DUST FILTER               |

# PRODUCT SAFETY



**WARNING** Read all safety warnings and all instructions. *Failure to follow the warnings and instructions may result in electric shock, fire and/or serious injury.*

Carefully read the instructions for the safe operation of the machine.

Save all warnings and instructions for future reference.

Use battery pack for Kress cordless products only. Refer to the marking label and instruction manual provided with product.

## SAFETY WARNINGS FOR BATTERY PACK

- a) Do not dismantle, open or shred cells or battery pack.
- b) Do not short-circuit a battery pack. Do not store battery packs haphazardly in a box or drawer where they may short-circuit each other or be short-circuited by conductive materials. When battery pack is not in use, keep it away from other metal objects, like paper clips, coins, keys, nails, screws or other small metal objects, that can make a connection from one terminal to another. Shorting the battery terminals together may cause burns or a fire.
- c) Do not expose battery pack to heat or fire. Avoid storage in direct sunlight.
- d) Do not subject battery pack to mechanical shock.
- e) In the event of battery leaking, do not allow the liquid to come into contact with the skin or eyes. If contact has been made, wash the affected area with copious amounts of water and seek medical advice.
- f) Keep battery pack clean and dry.
- g) Wipe the battery pack terminals with a clean dry cloth if they become dirty.
- h) Battery pack needs to be charged before use. Always refer to this instruction and use the correct charging procedure.
- i) Do not maintain battery pack on charge when not in use.
- j) After extended periods of storage, it may be necessary to charge and discharge the battery pack several times to obtain maximum performance.
- k) Recharge only with the charger specified by Kress. Do not use any charger other than that specifically provided for use with the equipment.
- l) Do not use any battery pack which is not designed for use with the equipment.
- m) Keep battery pack out of the reach of children.
- n) Retain the original product literature for future reference.
- o) Remove the battery from the equipment

- when not in use.
- p) Dispose of properly.
- q) Do not mix cells of different manufacture, capacity, size or type within a device.
- r) Keep the battery away from microwaves and high pressure.

## ADDITIONAL SAFETY WARNING FOR COMMERCIAL BATTERY PACK

1. Use the battery pack for Kress Commercial cordless products only.
2. Use the battery pack only with KAC840 battery charger or additional battery chargers listed in operator's manual.
3. Use the battery pack only with KAC875E and KAC877E power station or additional power station listed in operator's manual.
4. In order to obtain the best performance, please pay attention to the following ambient temperature range, do not charge, use, or store in the case of exceeding the following temperature range:
  - a) Charging temperature range: -5°C~45°C
  - b) Discharge temperature range: -20°C~45°C
  - c) Storage temperature range: 5°C~25°C
5. To reduce the risk of electric shock, fire and explosion due to short circuits:
  - a) If the battery is exposed to rain during operation, please remove it from the product and let it dry indoors. Make sure it is completely dry before charging or re-using it.
  - b) Do not immerse the battery in water or other liquids.
  - c) Do not bridge battery terminals with wires or other metal objects.
  - d) The battery pack should be kept away from small conductive metal objects (such as paper clips, nails, coins, keys, etc.).
  - e) Store batteries indoors in a dry room.
  - f) Do not store the battery in a humid or corrosive environment, or in an environment that may cause its metal parts to corrode.
  - g) Protects batteries from exposure to corrosive substances such as gardening chemicals and deicing salts.
  - h) Never store batteries inside power tools.
  - i) When storing the battery, keep the battery with a charge between 40% to 60% (3 green lights illuminated).
  - j) If the battery pack needs to be shipped by air separately, the charge cannot exceed 30%
  - k) If storing the battery in the charger, disconnect the charger from the outlet.
  - l) Do not attempt to repair, open or disassemble the battery. There are no user-serviceable parts inside.
  - m) To reduce the risk of personal injury from accidental activation, always remove the battery







before assembling, transporting, adjusting, cleaning, servicing, or storing the power tool.

6. A battery fire is dangerous. To reduce the risk of serious personal injury and property damage in the event of a fire:
  - a) Evacuate the area. Fires can spread quickly. Keep away from any generated gas and fumes and keep a safe distance.
  - b) Contact the fire department.
  - c) While water can be used to extinguish battery fires, it is best to use a multi-purpose dry chemical fire extinguisher.
  - d) Please consult the fire department for proper disposal of burned batteries.
7. Leaking battery fluid can cause skin and eye irritation or chemical burns.
  - a) Avoid contact with skin and eyes.
  - b) If liquid gets in eyes: Do not rub. Flush open eyes with water for at least 15 minutes, and seek medical advice.
  - c) In case of accidental contact, wash the contact area immediately and thoroughly with mild soap and water.
  - d) Use an inert absorbent such as sand on spilled liquid.

## USER MANUAL REQUIREMENTS FOR WIRELESS PRODUCT

- a) Operation of this device is subject to the following two conditions:
  - (1) This device may not cause harmful interference, and
  - (2) this device must accept any interference received, including interference that may cause undesired operation.
- b) Caution: Changes or modifications to this unit not expressly approved by the party responsible for compliance could void the user's authority to operate the equipment.
- c) NOTE: This equipment generates, uses and can radiate radio frequency energy and, if not installed and used in accordance with the instructions, may cause harmful interference to radio communications. However, there is no guarantee that interference will not occur in a particular installation. If this equipment does cause harmful interference to radio or television reception, which can be determined by turning the equipment off and on, the user is encouraged to try to correct the interference by one or more of the following measures:
  - Reorient or relocate the receiving antenna.
  - Increase the separation between the equipment and receiver.
  - Connect the equipment into an outlet on a circuit different from that to which the receiver is connected.
  - Consult the dealer or an experienced radio/TV technician for help.

## SYMBOLS

	Read the operator's manual
 	Li-Ion battery This product has been marked with a symbol relating to 'separate collection' for all battery packs and battery pack. It will then be recycled or dismantled in order to reduce the impact on the environment. Battery packs can be hazardous for the environment and for human health since they contain hazardous substances.
	Environmentally friendly disposal Old electrical appliances must not be disposed of together with the residual waste, but have to be disposed of separately. The disposal at the communal collecting point via private persons is for free. The owner of old appliances is responsible to bring the appliances to these collecting points or to similar collection points. With this little personal effort, you contribute to recycle valuable raw materials and the treatment of toxic substances.
	Do not burn
	Batteries may enter water cycle if disposed improperly, which can be hazardous for ecosystem. Do not dispose of waste batteries as unsorted municipal waste.

## OPERATION INSTRUCTIONS

### Recommendations for optimal handling of the battery

#### Note:







1. Your battery pack is partly charged and needs to be fully charged before first use. To ensure full capacity of the battery, completely charge the battery in the battery charger before using your battery in the power tool for the first time.
2. A battery pack will slowly lose its charge when kept out of the charger or left in an unplugged charger for a long time. It may need to be recharged before use.

The CyberPack can be used with a backpack, please refer to the backpack manual for details.

When over-discharge, over-charge, over-temperature and low-temperature faults occur while the battery pack is being charged on the charger or used on the machine, the user will receive a fault prompt, and the charger or the machine will stop charging or working.

The Li-Ion battery can be charged at any time without reducing its service life. Interrupting the charging procedure does not damage the battery.

The battery level can be determined from the battery indicator light by pressing the power test button. Before starting or after use, press the power test button on the battery pack to check the battery capacity.

Remarks	LED light	Battery condition
Five green lights are illuminated.		80% ≤ Power level ≤ 100%
Four green lights are illuminated.		60% ≤ Power level < 80%
Three green lights are illuminated.		40% ≤ Power level < 60%
Two green lights are illuminated.		20% ≤ Power level < 40%
One green light is illuminated.		10% ≤ Power level < 20%
One green light is flashing.		0% ≤ Power level < 10%

You can see the relevant status of the battery through the status of the Bluetooth indicator light and the fault indicator light.

Remarks	Battery condition
Bluetooth indicator light is illuminated.	Bluetooth is connected.
Bluetooth indicator light is not illuminated.	Bluetooth is not connected.
Fault indicator light is illuminated.	Battery failure, prohibit charging and discharging.

Fault indicator light is not illuminated.	It is normal.
---	---------------

When the battery pack fails, the fault indicator will light up, and you can view the specific fault cause and solution through the APP.

## HOW TO CHARGE THE BATTERY

Refer to the instruction manual for charger.

## STORAGE

Store the battery only within a ambient temperature range between 5~25°C.

When kept out of the charger or left in an unplugged charger for a long time, the battery still reaches a relatively high level.

A significantly reduced working period after charging indicates that the battery is used and must be replaced.

## TRANSPORT

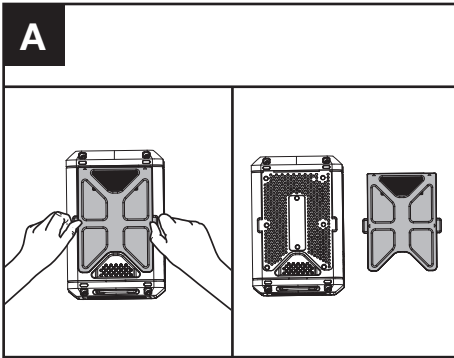
The contained Li-Ion batteries are subject to the dangerous goods legislation requirements. The user can transport the batteries by road without additional requirements.

Dispatch batteries only when the battery housing is undamaged. Pack up the batteries in such a manner that cannot move around in the packaging.

## MAINTENANCE AND SERVICE

Occasionally clean the venting slots of the battery using a soft, clean and dry brush.

When the dust filter on the battery is blocked, it needs to be removed and rinsed with water. After drying, put the dust filter back into the battery. To protect the battery, if the dust filter is damaged, please replace it in time. (See Fig. A)



## DECLARATION OF CONFORMITY

We,  
Positec Germany GmbH  
Postfach 32 02 16, 50796 Cologne, Germany

Declare that the product,  
Description **Battery pack**  
Type **KAC804**  
Function **Provide energy for power tools, garden tools and similar products**

Complies with the following Directives:  
**2006/66/EC & 2013/56/EU, 2014/53/EU, 2011/65/EU & (EU) 2015/863**

Standards conform to,  
**EN 62133-2,**  
**EN 300328,**  
**EN 301489-1/-17,**  
**EN 50663**

The person authorized to compile the technical file,  
**Name Marcel Filz**  
**Address Positec Germany GmbH**  
**Postfach 32 02 16, 50796 Cologne, Germany**



2022/12/06  
Allen Ding  
Deputy Chief Engineer Testing & Certification  
Positec Technology (China) Co., Ltd  
18, Dongwang Road, Suzhou Industrial  
Park, Jiangsu 215123, P. R. China

When the battery is no longer operative, please refer to an authorized after-sales service agent for Kress power tools.

## TECHNICAL DATA

	<b>KAC804</b>
Rated voltage	60 V  MAX*
Battery capacity	4.0 Ah
Recommended Ambient Temperature for Charging	-5~45 °C
Optimum Storage Temperature in Use	5~25 °C
Battery Weight	3 kg
Degree of protection	IPX5
Frequency bands for Bluetooth	2400-2483.5 MHz
Maximum Transmitted Power for Bluetooth	8 dBm

\* Voltage measured without workload. Initial battery voltage reaches maximum of 60 volts. Nominal voltage is 54 volts.

## ENVIRONMENTAL PROTECTION

Waste electrical products must not be disposed of with household waste. Please recycle where facilities exist. Check with your local authorities or retailer for recycling advice.



# DECLARATION OF CONFORMITY

We,  
Positec (UK & Ireland) Ltd  
PO Box 6242, Newbury, RG14 9LT, UK

Declare that the product,  
Description **Battery pack**  
Type **KAC804**  
Function **Provide energy for power tools, garden tools and similar products**

Complies with the following Regulations:  
**The Batteries and Accumulators (Placing on the Market) Regulations 2008 (as amended) and the Waste Batteries and Accumulators Regulations 2009 (as amended)**  
**Radio Equipment Regulations 2017**  
**The Restriction of the Use of Certain Hazardous Substances in Electrical and Electronic Equipment Regulations 2012**

Standards conform to,  
**BS EN 62133-2,**  
**BS EN 300328,**  
**BS EN 301489-1/-17,**  
**BS EN 50663**

The person authorized to compile the technical file,  
Name **Jim Kirkwood**  
Address **Positec (UK & Ireland) Ltd,**  
**PO Box 6242, Newbury, RG14 9LT, UK**

EN



2022/12/06  
Allen Ding  
Deputy Chief Engineer Testing & Certification  
Positec Technology (China) Co., Ltd  
18, Dongwang Road, Suzhou Industrial  
Park, Jiangsu 215123, P. R. China

# INHALTSVERZEICHNIS

Einführung.....	10
Komponenten.....	11
Produktsicherheit.....	12
Betrieb.....	14
Aufladen des akkus.....	15
Aufbewahrung.....	15
Transport.....	15
Wartung und reinigung.....	15
Technische Daten.....	15
Umweltschutz.....	15
<hr/> <b>D</b> Konformitätserklärung.....	16

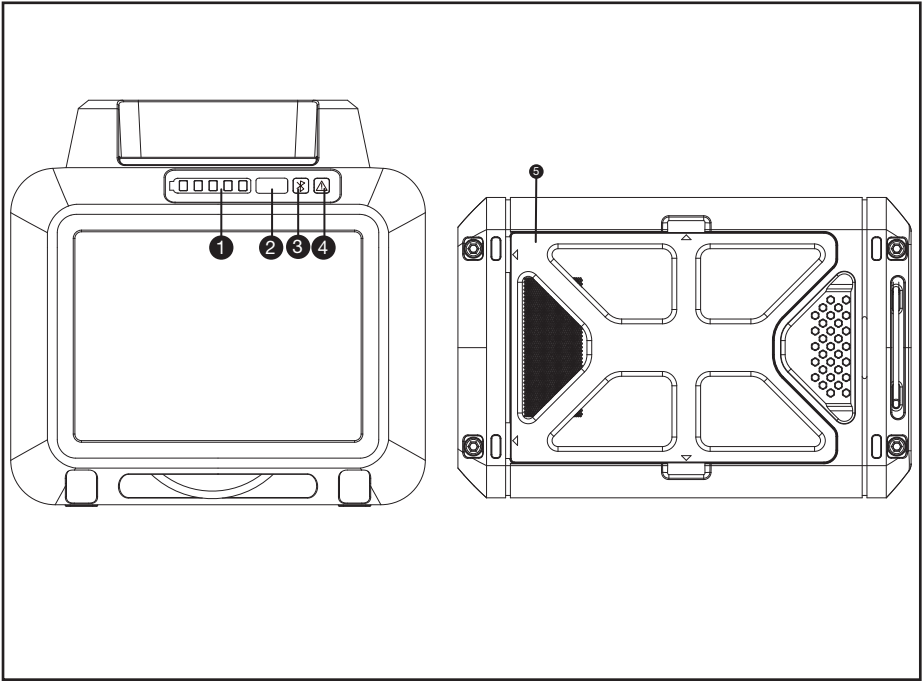
## EINFÜHRUNG

Sehr geehrter Kunde,

Vielen Dank, dass Sie dieses Kress Commercial-Produkt gekauft haben. Wir sind bestrebt, qualitativ hochwertige Produkte zu entwickeln, die Ihren Anforderungen im gewerblichen Landschaftsbau gerecht werden.

Die Marke Kress steht für erstklassigen Service. Wenn Sie im Laufe der Jahre Fragen oder Bedenken zu Ihrem Produkt haben, wenden Sie sich bitte an Ihren Händler oder an unser Kundendienstteam, um Hilfe zu erhalten.

Wir sind zuversichtlich, dass Sie in den kommenden Jahren die Arbeit mit Ihrem Kress-Produkt genießen werden.



## KOMPONENTEN

1. BATTERIE-KONTROLLEUCHE
2. LEISTUNGSTEST-TASTE
3. BLUETOOTH-ANZEIGELEUCHE
4. STÖRUNGS-ANZEIGELEUCHE
5. STAUBFILTER

# PRODUKTSICHERHEIT



**WARNUNG:** Lesen Sie alle Sicherheitshinweise und Anweisungen.

*Versäumnisse bei der Einhaltung der Sicherheitshinweise und Anweisungen können elektrischen Schlag, Brand und/oder schwere Verletzungen verursachen.*

Lesen Sie die Anweisungen für den sicheren Betrieb des Geräts sorgfältig durch. Bewahren Sie alle Sicherheitshinweise und Anweisungen für die Zukunft auf. Verwenden Sie das Akkupack nur für Kress-Produkte mit Akkus. Beachten Sie das Typenschild sowie das dem Produkt beiliegende Handbuch.

## SICHERHEIT HINWEISE FÜR AKKUPACK

- a) Zellen bzw. Akkupack nicht zerlegen, öffnen oder zerdrücken.
- b) Akkupack nicht kurzschließen. Akkupacks nicht wahllos in einer Schachtel oder Schublade aufbewahren, wo sie einander kurzschließen oder durch andere leitfähige Materialien kurzgeschlossen werden könnten. Bei Nichtverwendung des Akkupacks ist dieses von Metallgegenständen fernzuhalten, wie etwa Büroklammern, Münzen, Nägeln, Schrauben oder anderen kleinen Metallgegenständen, wo sich die Batterieklemmen berühren könnten. Das Kurzschließen der Batterieklemmen kann Verbrennungen bzw. einen Brand verursachen.
- c) Zellen bzw. Akkupacks nicht Hitze oder Feuer aussetzen. Lagerung in direktem Sonnenlicht vermeiden.
- d) Akkupack nicht mechanischen Stößen aussetzen.
- e) Im Fall, dass Flüssigkeit aus dem Akku austritt, darf diese nicht in Kontakt mit der Haut oder den Augen kommen. Sollte dies dennoch geschehen, den betroffenen Bereich sofort mit viel Wasser spülen und einen Arzt aufsuchen.
- f) Akkupack sauber und trocken halten.
- g) Sollten die Klemmen des Akkupacks schmutzig werden, diese mit einem sauberen, trockenen Tuch abwischen.
- h) Akkupack muss vor Gebrauch aufgeladen werden. Immer diese Anweisungen beachten und den korrekten Ladevorgang ausführen.
- i) Akkupack bei Nichtverwendung nicht längere Zeit aufladen lassen.
- j) Nach längerer Lagerung des Gerätes ist es eventuell notwendig, die Zellen oder das Akkupack mehrere Male aufzuladen und zu entladen, um eine optimale Leistung zu erhalten.
- k) Nur mit dem von Kress bezeichneten

Ladegerät aufladen. Kein Ladegerät verwenden, das nicht ausdrücklich für den Gebrauch mit dem Gerät vorgesehen ist.

- l) Kein Akkupack verwenden, das nicht für den Gebrauch mit dem Gerät vorgesehen ist.
- m) Akkupacks von Kindern fernhalten.
- n) Die originalen Produktunterlagen zum späteren Nachschlagen aufbewahren.
- o) Den Akku bei Nichtverwendung aus dem Gerät nehmen.
- p) Ordnungsgemäß entsorgen.
- q) Vermischen Sie keine Zellen verschiedener Hersteller, Kapazitäten, Größen oder Typen innerhalb eines Geräts.
- r) Halten Sie den Akku von Mikrowellen und hohem Druck fern.

## ZUSÄTZLICHE SICHERHEITSHINWEISE FÜR HANDELSÜBLICHE AKKUPACKS

1. Verwenden Sie den Akkupack nur für die kabellosen Produkte von Kress Commercial.
2. Verwenden Sie den Akkupack nur mit dem Akkuladegerät KAC840 oder weiteren in der Bedienungsanleitung aufgeführten Ladegeräten.
3. Verwenden Sie den Akkupack nur mit der KAC875E und der KAC877E Power Station oder einer zusätzlichen Power Station, die in der Bedienungsanleitung aufgeführt ist.
4. Um die beste Leistung zu erzielen, achten Sie bitte auf den folgenden Umgebungstemperaturbereich und laden, verwenden oder lagern Sie den Akkupack nicht, wenn der Temperaturbereich überschritten wird:
  - a) Ladetemperaturbereich: -5°C~45°C
  - b) Entladetemperaturbereich: -20°C~45°C
  - c) Lagertemperaturbereich: 5°C~25°C
5. Um das Risiko eines Stromschlags, eines Brandes oder einer Explosion aufgrund eines Kurzschlusses zu verringern:
  - a) Wenn der Akkupack während des Betriebs Regen ausgesetzt ist, nehmen Sie ihn bitte aus dem Gerät und lassen Sie ihn in einem Raum trocknen. Stellen Sie sicher, dass er vollständig trocken ist, bevor Sie ihn aufladen oder wiederverwenden.
  - b) Tauchen Sie den Akkupack nicht in Wasser oder andere Flüssigkeiten ein.
  - c) Überbrücken Sie die Akkupackpole nicht mit Drähten oder anderen Metallgegenständen.
  - d) Halten Sie den Akkupack fern von kleinen leitenden Metallgegenständen (wie Büroklammern, Nägeln, Münzen, Schlüsseln usw.).
  - e) Lagern Sie Akkupacks in einem trockenen Raum.
  - f) Lagern Sie den Akkupack nicht in einer feuchten oder korrosiven Umgebung oder in einer Umgebung, in der seine Metallteile

korrodieren könnten.

- g) Schützen Sie Akkupacks vor dem Kontakt mit ätzenden Stoffen wie Gartenchemikalien und Tausalzen.
- h) Bewahren Sie Akkupacks niemals in Elektrowerkzeugen auf.
- i) Bewahren Sie den Akkupack beim Lagern mit einer Ladung zwischen 40 % und 60 % auf (3 grüne Lichter leuchten).
- j) Wenn der Akkupack separat auf dem Luftweg transportiert werden muss, darf die Ladung 30 % nicht überschreiten.
- k) Wenn Sie den Akku im Ladegerät lagern, trennen Sie das Ladegerät von der Steckdose.
- l) Versuchen Sie nicht, den Akkupack zu reparieren, zu öffnen oder zu zerlegen. Er enthält keine vom Benutzer zu wartenden Teile.
- m) Um die Gefahr von Verletzungen durch versehentliche Aktivierung zu verringern, nehmen Sie den Akkupack immer heraus, bevor Sie das Elektrowerkzeug zusammenbauen, transportieren, einstellen, reinigen, warten oder lagern.
6. Ein Akkubrand ist gefährlich. Um das Risiko von schweren Personen- und Sachschäden im Falle eines Brandes zu verringern:
- a) Verlassen Sie den Gefahrenbereich. Brände können sich schnell ausbreiten. Halten Sie sich von entstehenden Gasen und Dämpfen fern und halten Sie einen Sicherheitsabstand ein.
- b) Rufen Sie die Feuerwehr.
- c) Akkubrände können zwar mit Wasser gelöscht werden, es ist jedoch ratsam, einen Mehrzweck-Pulverfeuerlöscher zu verwenden.
- d) Bitte wenden Sie sich für die ordnungsgemäße Entsorgung von verbrannten Akkus an die Feuerwehr.
7. Auslaufende Akkufflüssigkeit kann Haut- und Augenreizungen oder chemische Verbrennungen verursachen.
- a) Vermeiden Sie den Kontakt mit Haut und Augen.
- b) Wenn Flüssigkeit in die Augen gelangt: Nicht reiben. Augen bei geöffnetem Lidspalt mindestens 15 Minuten lang mit Wasser ausspülen und einen Arzt aufsuchen.
- c) Bei versehentlichem Kontakt die Kontaktstelle sofort und gründlich mit milder Seife und Wasser waschen.
- d) Verschüttete Flüssigkeit mit einem inerten Absorptionsmittel wie z. B. Sand aufnehmen.

- (2) dieses Gerät muss störsignalfest sein, einschließlich der Störungen, die einen unerwünschten Betrieb verursachen können.
- b) Achtung: Änderungen oder Modifikationen an diesem Gerät, die nicht ausdrücklich von der für die Einhaltung der Vorschriften verantwortlichen Partei genehmigt wurden, können dazu führen, dass der Benutzer die Berechtigung zum Betrieb des Geräts verliert.
- c) HINWEIS: Dieses Gerät verursacht und verwendet Hochfrequenzenergie und kann diese ausstrahlen. Falls es nicht entsprechend den Anweisungen installiert und verwendet wird, kann es störende Interferenzen beim Funkverkehr hervorrufen. Es gibt jedoch keine Garantie, dass in einer bestimmten Installation keine Störungen auftreten. Falls dieses Gerät Störungen des Radio- oder Fernsehempfangs verursacht, was durch Ein- und Ausschalten des Geräts festgestellt werden kann, sollte der Nutzer versuchen, die Störungen durch eine oder mehrere der folgenden Maßnahmen zu beheben:
- Richten Sie die Empfangsantenne neu aus oder verlegen Sie sie.
  - Vergrößern Sie den Abstand zwischen dem Gerät und dem Empfänger.
  - Schließen Sie das Gerät an einen anderen Stromkreis an als den, an den der Empfänger angeschlossen ist.
  - Wenden Sie sich an den Händler oder einen erfahrenen und geschulten Radio/TV-Fachmann, um Hilfe zu bekommen.


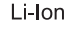



## SYMBOLE



Umweltgerechte Entsorgung. Elektroaltgeräte dürfen nicht zusammen mit dem Restmüll entsorgt werden, sondern müssen separat entsorgt werden. Die Entsorgung bei der kommunalen Sammelstelle durch Privatpersonen ist kostenlos. Der Besitzer von Altgeräten ist dafür verantwortlich, die Geräte zu diesen oder ähnlichen Sammelstellen zu bringen. Mit diesem kleinen persönlichen Aufwand tragen Sie zur Wiederverwertung wertvoller Rohstoffe und zur Behandlung von Schadstoffen bei.

## ANFORDERUNGEN AN DIE BEDIENUNGSANLEITUNG FÜR AKKUBETRIEBENE GERÄTE

- a) Der Betrieb dieses Geräts unterliegt den folgenden zwei Bedingungen:
- (1) Dieses Gerät darf keine schädlichen Interferenzen verursachen und

  	<p>Lithium-Ionen-Akku: Dieses Produkt wurde mit einem Symbol markiert, das sich auf die 'gesonderte Sammlung' aller Akkupacks und Akkus bezieht. Es wird anschließend recycelt oder demontiert, um die Beeinträchtigung der Umwelt zu verringern. Akkupacks können die Umwelt und menschliche Gesundheit beeinträchtigen, da diese schädliche Substanzen enthalten.</p>
	<p>Nicht verbrennen</p>
	<p>Batterien können bei falscher Entsorgung in der Wasserkreislauf gelangen und das Ökosystem bedrohen. Entsorgen Sie alte Batterien nicht im unsortierten Haushaltsabfall.</p>

## BETRIEB

### Hinweise für den optimalen Umgang mit dem Akku

#### Hinweise:

1. Ihr Akku ist teilweise geladen und muss vor dem ersten Gebrauch vollständig aufgeladen werden. Um die volle Kapazität des Akkus zu gewährleisten, laden Sie den Akku im Ladegerät vollständig auf, bevor Sie Ihren Akku zum ersten Mal im Elektrowerkzeug verwenden.
2. Ein Akku verliert langsam seine Ladung, wenn er nicht in das Ladegerät eingesetzt wird oder längere Zeit in einem nicht angeschlossenen Ladegerät verbleibt. Möglicherweise muss er vor der Verwendung wieder aufgeladen werden.







Das CyberPack kann mit einem Rucksack verwendet werden; Einzelheiten hierzu finden Sie in der Anleitung für den Rucksack.

Wenn während des Aufladens des Akkupacks im Ladegerät oder der Verwendung im Gerät eine Überentladung, eine Überladung, eine Übertemperatur oder eine zu niedrige Temperatur festgestellt wird, erscheint eine Fehlermeldung, und das Ladegerät bzw. das Gerät schaltet den Ladevorgang ab.

Der Li-Ionen-Akku kann jederzeit aufgeladen werden, ohne seine Lebensdauer zu verkürzen. Die Unterbrechung eines Ladevorgangs wird den Akku nicht beschädigen.

Der Ladezustand des Akkus kann an der Akku-Anzeigeleuchte durch Drücken der Leistungstest-Taste abgelesen werden. Drücken Sie vor dem Start

oder nach dem Gebrauch die Leistungstest-Taste am Akkupack, um die Akkukapazität zu prüfen.

Bemerkungen	LED-Leuchte	Zustand des Akkus
Es leuchten fünf grüne Lämpchen auf.		80% ≤ Leistungspegel ≤ 100%
Es leuchten vier grüne Lämpchen auf.		60% ≤ Leistungspegel < 80%
Es leuchten drei grüne Lämpchen auf.		40% ≤ Leistungspegel < 60%
Es leuchten zwei grüne Lämpchen auf.		20% ≤ Leistungspegel < 40%
Es leuchtet ein grünes Lämpchen auf.		10% ≤ Leistungspegel < 20%
Ein grünes Licht blinkt.		0% ≤ Leistungspegel < 10%

Sie können den jeweiligen Status des Akkus anhand des Status der Bluetooth-Anzeigeleuchte und der Störungs-Anzeigeleuchte erkennen.

Bemerkungen	Zustand des Akkus
Die Bluetooth-Anzeigeleuchte leuchtet.	Bluetooth ist verbunden.
Die Bluetooth-Anzeigeleuchte leuchtet nicht.	Bluetooth ist nicht verbunden.
Die Störungs-Anzeigeleuchte leuchtet.	Akku defekt, Laden und Entladen verboten.
Die Störungs-Anzeigeleuchte leuchtet nicht.	Dies ist normal.

Wenn der Akkupack defekt ist, leuchtet die Störungs-Anzeigeleuchte auf, und Sie können die spezifische Störungsursache und -lösung über die APP ansehen.

# AUFLADEN DES AKKUS

Sehen Sie in das Handbuch, das dem Ladegerät beiliegt.

## AUFBEWAHRUNG

Lagern Sie den Akku nur im Temperaturbereich von 5 °C bis 25 °C.

Wenn der Akku über einen längeren Zeitraum außerhalb des Ladegeräts aufbewahrt oder in einem Ladegerät ohne Netzstecker gelassen wird, erreicht er immer noch einen relativ hohen Leistungspegel.

Eine wesentlich verkürzte Betriebszeit nach der Aufladung zeigt an, dass der Akku verbraucht ist und ersetzt werden muss.

## TRANSPORT

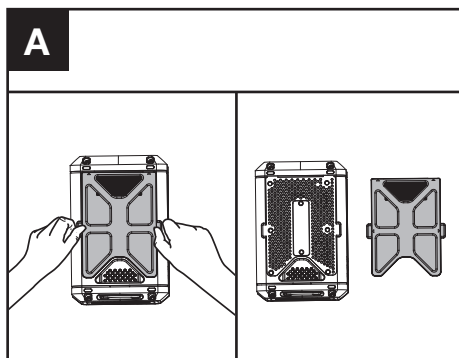
Die enthaltenen Li-Ionen-Akkus unterliegen den Anforderungen des Gefahrgutrechts. Die Akkus können durch den Benutzer ohne weitere Auflagen auf der Straße transportiert werden.

Versenden Sie Akku nur, wenn das Gehäuse unbeschädigt ist. Verpacken Sie die Akkus so, dass sich diese in der Verpackung nicht bewegen können.

## WARTUNG UND REINIGUNG

Reinigen Sie gelegentlich die Lüftungsschlitze des Akkus mit einem weichen, sauberen und trockenen Pinsel.

Wenn der Staubfilter des Akkus verstopft ist, muss er entfernt und mit Wasser abgespült werden. Nach dem Trocknen setzen Sie den Staubfilter wieder in den Akku ein. Wenn der Staubfilter beschädigt ist, ersetzen Sie ihn bitte rechtzeitig, um den Akku zu schützen. (siehe Abb. A)



Ist der Akku nicht mehr funktionsfähig, wenden Sie sich bitte an eine autorisierte Kundendienststelle für


Kress Elektrowerkzeuge.

## TECHNISCHE DATEN

	KAC804
Spannung	60 V  MAX*
Kapazität des Akkus	4.0 Ah
Empfohlene Umgebungstemperatur zum Aufladen	-5 - 45 °C
Optimale Lagertemperatur im Einsatz	5 - 25 °C
Gewicht des Akkus	3 kg
Schutzgrad	IPX5
Frequenzbänder für Bluetooth	2400-2483.5 MHz
Maximale Sendeleistung für Bluetooth	8 dBm

\* Spannung ohne Arbeitslast gemessen. Anfangsakkuspannung erreicht maximal 60 Volt. Nennspannung ist 54 Volt.

## UMWELTSCHUTZ

 Elektroprodukte dürfen nicht mit dem normalen Haushaltsmüll entsorgt werden, sondern sollten nach Möglichkeit zu einer Recyclingstelle gebracht werden. Ihre zuständigen Behörden oder Ihr Fachhändler geben Ihnen hierzu gerne Auskunft.

D

# KONFORMITÄTSERKLÄRUNG

Wir,  
Positec Germany GmbH  
Postfach 32 02 16, 50796 Cologne, Germany

erklären hiermit, dass unser Produkt  
Beschreibung **Akkupack**  
Typ **KAC804**  
Funktion **Liefert Energie für Elektrowerkzeuge,  
Gartengeräte und ähnliche Produkte**

Den Bestimmungen der folgenden Richtlinien  
entspricht:  
**2006/66/EC & 2013/56/EU, 2014/53/EU, 2011/65/  
EU & (EU) 2015/863**

Normen,  
**EN 62133-2,**  
**EN 300328,**  
**EN 301489-1/-17,**  
**EN 50663**

Zur Kompilierung der technischen Datei ermächtigte  
Person,  
**Name Marcel Filz**  
**Anschrift Positec Germany GmbH**  
**Postfach 32 02 16, 50796 Cologne, Germany**

D



2022/12/06  
Allen Ding  
Stellvertretender Chefsingenieur, Prüfung und  
Zertifizierung  
Positec Technology (China) Co., Ltd  
18, Dongwang Road, Suzhou Industrial  
Park, Jiangsu 215123, P. R. China



# SOMMAIRE

Introduction.....	17
Liste des composants.....	18
Sécurité du produit.....	19
Instructions d'utilisation.....	21
Comment charger la batterie.....	22
Stockage.....	22
Transport.....	22
Entretien et service après-vente.....	22
Données techniques.....	22
Protection de l'environnement.....	22
Déclaration de conformité.....	23

F

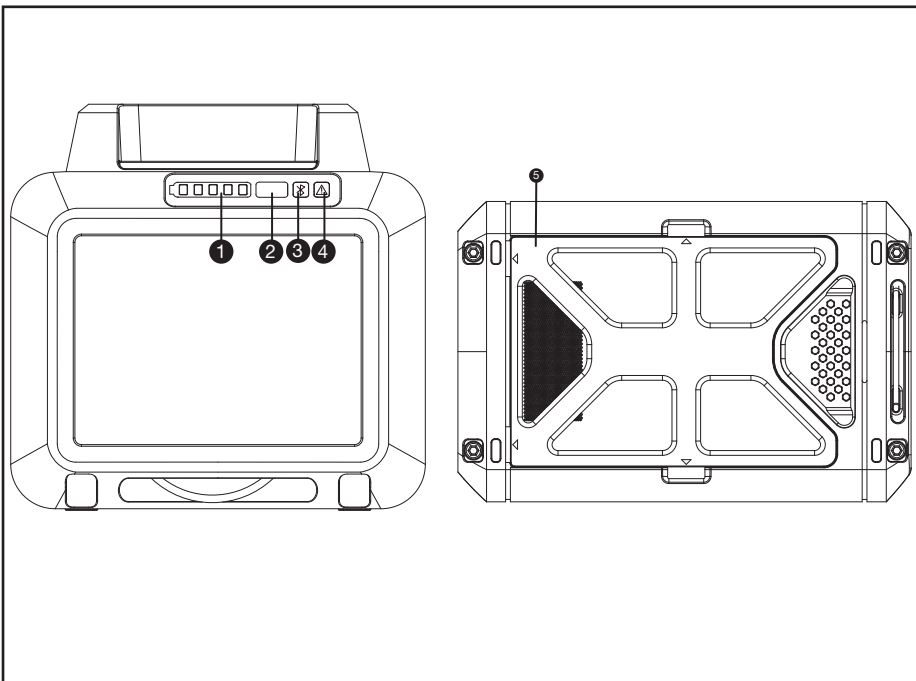
## INTRODUCTION

Cher Client,

Merci d'avoir acheté ce produit de la marque Kress Commercial. Nous nous engageons à développer des produits de haute qualité pour répondre à vos exigences d'aménagement paysager.

La marque Kress est synonyme de service de qualité supérieure. Au cours des années d'utilisation de votre produit, si vous avez des questions ou des inquiétudes à son sujet, veuillez contacter votre revendeur ou notre équipe de service clientèle pour obtenir de l'aide.

Nous espérons que vous serez satisfait de votre produit de la marque Kress pour les années à venir.



F

## LISTE DES COMPOSANTS

- |    |                               |
|----|-------------------------------|
| 1. | VOYANT DE BATTERIE            |
| 2. | BOUTON DE TEST D'ALIMENTATION |
| 3. | VOYANT BLUETOOTH              |
| 4. | VOYANT DE PANNE               |
| 5. | FILTRE À POUSSIÈRE            |

# SÉCURITÉ DU PRODUIT



**AVERTISSEMENT** Lire tous les avertissements de sécurité et toutes les instructions. *Ne pas suivre les avertissements et instructions peut donner lieu à un choc électrique, un incendie et/ou une blessure sérieuse.* Lisez attentivement les instructions pour utiliser sans risques la machine. Conserver tous les avertissements et toutes les instructions pour pouvoir s'y reporter ultérieurement. Utiliser la batterie pour les produits sans fil Kress uniquement. Consulter l'étiquette et le mode d'emploi fourni avec le produit.

## MISES EN GARDE CONCERNANT LA BATTERIE

- a) La batterie et les piles secondaires ne doivent pas être ouvertes, démontées ou broyées.
- b) La batterie ne doit pas être court-circuitée. Évitez de mettre la batterie en vrac dans une boîte ou dans un tiroir où elles risqueraient de se court-circuiter entre elles ou au contact d'autres objets métalliques. Après usage, évitez tout contact de la batterie avec d'autres objets métalliques de petite taille (trombones, pièces, clés, clous, vis etc.) susceptibles de court-circuiter les pôles. Un court-circuit entre les pôles de la batterie peut être à l'origine de brûlures ou d'un incendie.
- c) La batterie ne doit pas être exposée au feu et à la chaleur. Évitez de la ranger à la lumière du soleil.
- d) La batterie et les piles ne doivent pas être soumises à des chocs mécaniques.
- e) En cas de fuite des piles, évitez tout contact du liquide avec la peau et les yeux. En cas de contact, rincez abondamment la surface touchée avec de l'eau et appelez les urgences.
- f) La batterie et les piles doivent rester propres et sèches.
- g) Si la batterie ou les piles se salissent, essuyez-les avec un chiffon propre et sec.
- h) La batterie et les piles doivent être chargées avant usage. Utilisez toujours le chargeur adéquat, et respectez les instructions du fabricant ou le mode d'emploi de l'appareil concernant la procédure de recharge.
- i) Évitez de laisser une batterie se charger pendant trop longtemps lorsqu'elle n'est pas utilisée.
- j) Après de longues périodes d'inutilisation, il peut être nécessaire de charger et décharger la batterie et les piles à plusieurs reprises avant que celles-ci ne retrouvent leur capacité maximale.

- k) N'utilisez pas d'autre chargeur que celui spécifié par Kress. N'utilisez pas d'autre chargeur que celui spécifiquement fourni avec l'appareil.
- l) N'utilisez en aucun cas une batterie autre que celle prévue pour cet appareil.
- m) La batterie doit être tenue hors de portée des enfants.
- n) Gardez la documentation d'origine du produit afin de pouvoir vous y référer ultérieurement.
- o) Enlevez la batterie de l'appareil lorsque vous ne l'utilisez pas.
- p) Respectez les procédures de mise au rebut.
- q) Ne pas mélanger des piles de fabrication, capacité, taille ou type différents dans un appareil.
- r) Protégez la batterie des micro-ondes et des hautes pressions.

## CONSIGNES DE SÉCURITÉ SUPPLÉMENTAIRES CONCERNANT LES BATTERIES COMMERCIALES

1. Utilisez uniquement la batterie prévue pour les produits sans fil Kress Commercial.
2. Utilisez uniquement la batterie avec le chargeur KAC840 ou les chargeurs supplémentaires indiqués dans le manuel d'utilisation.
3. Utilisez uniquement la batterie avec les stations d'alimentation KAC875E et KAC877E ou les stations d'alimentation supplémentaires indiquées dans le manuel d'utilisation.
4. Afin d'obtenir un fonctionnement optimal de votre équipement, veuillez prêter attention à la plage de températures ambiantes qui est indiquée ci-dessous, en particulier, évitez de charger, d'utiliser ou d'entreposer votre équipement en cas de dépassement de la plage de températures suivante:
  - a) Plage de températures pour la charge: -5°C~45°C
  - b) Plage de températures pour la décharge: -20°C~45°C
  - c) Plage de températures pour l'entreposage: 5°C~25°C
5. Pour éviter les risques de choc électrique, de départ de feu et d'explosion dus à un éventuel court-circuit:
  - a) Si la batterie est exposée à la pluie en cours d'utilisation, retirez-la de votre équipement et laissez-la sécher à l'intérieur. Assurez-vous qu'elle soit complètement sèche avant de la charger ou de la réutiliser.
  - b) N'immergez pas la batterie dans de l'eau ou d'autres liquides.
  - c) Ne reliez pas les bornes de la batterie avec des fils ou d'autres objets métalliques.
  - d) La batterie doit être tenue à l'écart des

petits objets métalliques conducteurs (genre trombones, clous, pièces de monnaie, clés, etc.).

e) Entrez la batterie à l'intérieur dans une pièce non humide.

f) N'entrez pas la batterie dans un milieu humide et corrosif ou susceptible d'entraîner la corrosion de ses pièces métalliques.

g) Protégez la batterie contre l'exposition à des substances corrosives telles que les produits chimiques de jardinage et les sels de déneigement.

h) N'entrez jamais une batterie dans un outil électrique.

i) Pour l'entreposage de la batterie, veillez à maintenir une charge de 40 à 60 % (3 voyants verts allumés).

j) Si la batterie doit être expédiée par avion séparément, la charge ne peut pas dépasser 30 %.

k) Si la batterie est entreposée dans le chargeur, débranchez celui-ci de la prise de courant.

l) Ne tentez pas de réparer, d'ouvrir ou de démonter la batterie. Elle ne comporte aucune pièce remplaçable par l'utilisateur à l'intérieur.

m) Pour éviter les risques de blessures résultant d'une activation accidentelle, retirez toujours la batterie avant d'assembler, transporter, régler, nettoyer, entretenir ou d'entreposer un outil électrique.

F

6. Un feu de batterie peut être dangereux. Pour éviter les risques de blessures graves ou de dommages matériels en cas de départ de feu:

a) Évacuez la zone. Le feu peut se propager rapidement. Tenez-vous éloigné des gaz et des vapeurs étant générés, et tenez-vous à une distance de sécurité.

b) Prévenez les pompiers.

c) Bien que l'eau puisse être utilisée pour éteindre les feux de batteries, il est préférable d'utiliser un extincteur à poudre chimique polyvalent.

d) Veuillez consulter les pompiers pour l'élimination appropriée des batteries brûlées.

7. Le liquide d'une batterie qui fuit peut provoquer une irritation de la peau et des yeux ou des brûlures chimiques.

a) Évitez tout contact avec les yeux et la peau.

b) En cas de contact de liquide avec les yeux: Ne les frottez pas. Rincez-vous les yeux ouverts avec de l'eau pendant au moins pendant 15 minutes et consultez un médecin.

c) En cas de contact accidentel, lavez immédiatement et abondamment avec du savon doux et de l'eau la zone de contact.

d) Utilisez une matière absorbante inerte tel que du sable sur du liquide ayant été renversé.

## CONDITIONS DU MANUEL D'UTILISATION POUR LES OUTILS SANS FIL

a) Le fonctionnement de ce type d'appareil est soumis aux deux conditions suivantes:

(1) Cet appareil ne doit pas provoquer d'interférences préjudiciables, et

(2) Il doit accepter toute interférence reçue, y compris les interférences pouvant entraîner un mauvais fonctionnement.

b) Attention: Les changements et modifications apportés à cet appareil et non expressément autorisés par la partie responsable de la compatibilité peuvent annuler le droit de l'utilisateur à faire fonctionner l'équipement.

c) REMARQUE: Cet équipement génère, utilise et peut dégager de l'énergie de radiofréquence et, s'il n'est pas installé et utilisé conformément aux instructions du fabricant, peut provoquer des interférences préjudiciables aux communications radio. Il n'existe toutefois aucune garantie que des interférences ne se produiront pas dans une installation particulière. Si cet équipement entraîne des interférences préjudiciables à la réception des émissions radio ou de télévision, pouvant être identifiées en mettant l'équipement hors tension puis sous tension, il est recommandé que l'utilisateur tente de résoudre ce problème au moyen d'une ou plusieurs des mesures suivantes:





- En orientant différemment l'antenne réceptrice ou en la changeant de place.

- En augmentant la distance séparant l'équipement du récepteur.

- En connectant l'équipement à une prise sur un circuit différent de celui sur lequel est branché le récepteur.

- En obtenant de l'aide auprès du revendeur ou d'un technicien radio/TV expérimenté.

# SYMBOLES

	<p>Pour une élimination respectueuse de l'environnement, les appareils électriques usagés ne doivent pas être jetés avec les ordures ménagères mais doivent être mis au rebut séparément. L'élimination par les particuliers dans les déchetteries communales est gratuite. Le propriétaire des appareils usagés est tenu de les déposer dans une déchetterie ou un point de collecte similaire. Avec ce petit effort personnel, vous contribuez au recyclage de matières premières précieuses et au traitement des substances toxiques.</p>
 <p>Li-Ion</p>	<p>Batterie Li-Ion Ce produit comporte un symbole de « Collecte séparée » de toutes les batteries. Il sera ensuite recyclé ou démantelé, afin de réduire l'impact sur l'environnement. Les batteries peuvent être dangereuses pour l'environnement et la santé humaine, car elles contiennent des substances dangereuses.</p>
	<p>Ne pas brûler</p>
	<p>Les batteries peuvent entrer dans le cycle de l'eau si elles sont éliminées de façon inappropriée, ce qui peut être dangereux pour l'écosystème. Ne pas éliminer les batteries usagées comme un déchet municipal non trié.</p>

# INSTRUCTIONS D'UTILISATION

## Indications pour le maniement optimal de l'accu

### Remarque:







1. Votre batterie est partiellement chargée et doit être complètement chargée avant la première utilisation. Pour assurer la pleine capacité de la batterie, chargez complètement la batterie dans le chargeur avant d'utiliser votre batterie dans l'outil électrique pour la première fois.
2. Un bloc de batterie se décharge lentement lorsqu'il n'est pas connecté à un chargeur ou laissé déconnecté pendant une longue durée. Il pourrait être nécessaire de le recharger avant l'utilisation.

Le CyberPack peut être utilisé avec un sac à dos. Veuillez consulter le sac à dos pour en savoir plus.

En cas de surcharge, de décharge excessive, de surchauffe ou de température trop faible pendant la charge du bloc de batteries ou de l'utilisation de la machine, une notification de panne sera donnée, et le chargeur ou la machine cesseront de charger et de fonctionner.

La batterie Li-Ion peut être chargée à tout moment sans réduire sa durée de vie. Interrompre la procédure de charge n'endommagera pas la batterie.

Vous pouvez consulter le niveau de la batterie à l'aide du voyant de batterie en appuyant sur le bouton de test. Avant de commencer ou après utilisation, appuyez sur le bouton de test d'alimentation sur le bloc de batterie pour vérifier la capacité de la batterie.

Remarques	Voyant LED	État de la batterie
Cinq voyants verts allumés.		80% ≤ Niveau de puissance ≤ 100%
Quatre voyants verts allumés.		60% ≤ Niveau de puissance < 80%
Trois voyants verts allumés.		40% ≤ Niveau de puissance < 60%
Deux voyants verts allumés.		20% ≤ Niveau de puissance < 40%
Un voyant vert allumé.		10% ≤ Niveau de puissance < 20%
Un voyant vert clignote.		0% ≤ Niveau de puissance < 10%

Vous pouvez connaître l'état associé de la batterie avec le voyant d'état Bluetooth et le voyant d'état de panne.

Remarques	État de la batterie
Le voyant Bluetooth est allumé.	Bluetooth connecté.

Le voyant Bluetooth est éteint.	Bluetooth non connecté.
Le voyant de panne est allumé.	Panne de la batterie, il est impossible de charger ou de décharger.
Le voyant de panne est éteint.	Fonctionnement normal.

En cas de panne du bloc de batterie, le voyant de panne s'allume. Vous pouvez alors voir l'origine spécifique de la panne et sa solution avec l'application.

## COMMENT CHARGER LA BATTERIE

Consultez le mode d'emploi fourni avec le chargeur.

## STOCKAGE

Ne stockez l'accu que dans la plage de température de 5°C à 25°C.

Lorsqu'elle n'est pas placée sur le chargeur ou laissée sur un chargeur débranché pendant une longue période, la batterie atteint toujours un niveau relativement élevé.

Si l'autonomie de l'accu diminue considérablement après les recharges effectuées, cela signifie que l'accu est usagé et qu'il doit être remplacé.

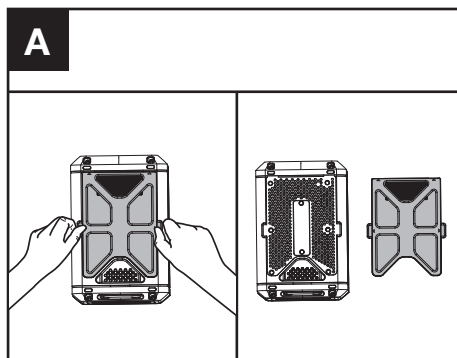
## TRANSPORT

Les batteries Lithium-ion sont soumises aux règlements de transport des matières dangereuses. L'utilisateur peut transporter les batteries par voie routière sans mesures supplémentaires. N'expédiez les accus que si le carter n'est pas endommagé. Emballez les batteries de façon telle qu'elles ne puissent pas bouger à l'intérieur de l'emballage.

## ENTRETIEN ET SERVICE APRÈS-VENTE

Nettoyez de temps en temps les orifices de ventilation de l'accu à l'aide d'un pinceau doux, propre et sec.

Lorsque le filtre à poussière sur la batterie est obstrué, retirez-le et rincez-le sous l'eau. Après séchage, remettez le filtre à poussière dans la batterie. Pour protéger la batterie, si le filtre à poussière est endommagé, remplacez-le sans attendre. (Voir Fig. A)



Au cas où l'accu ne fonctionnerait plus, veuillez vous adresser à une station de Service Après-Vente agréée pour outillage Kress.

## DONNÉES TECHNIQUES

	KAC804
Tension	60 V  MAX*
Capacité de la batterie	4.0 Ah
Température ambiante recommandée pour la charge	-5-45 °C
Température de stockage optimale d'utilisation	5-25 °C
Poids de la batterie	3 kg
Degré de protection	IPX5
Bandes de fréquences pour Bluetooth	2400-2483.5 MHz
Puissance d'émission maximale pour Bluetooth	8 dBm

\* La tension est mesurée à vide. La tension initiale de la batterie atteint un maximum de 60 volts. La tension nominale est de 54 volts.

## PROTECTION DE L'ENVIRONNEMENT

Les déchets d'équipements électriques et électroniques ne doivent pas être déposés avec les ordures ménagères. Ils doivent être collectés pour être recyclés dans des centres spécialisés. Consultez les autorités locales ou votre revendeur pour obtenir des renseignements sur l'organisation de la collecte.

# DÉCLARATION DE CONFORMITÉ

Nous,  
Positec Germany GmbH  
Postfach 32 02 16, 50796 Cologne, Germany

Déclarons que ce produit,  
Description **Batterie**  
Modèle **KAC804**  
Fonctions **Fournir de l'énergie pour les outils électriques, les outils de jardinage et les appareils similaires**

Est conforme aux directives suivantes:  
**2006/66/EC & 2013/56/EU, 2014/53/EU, 2011/65/EU & (EU) 2015/863**

Et conforme aux normes,  
**EN 62133-2,**  
**EN 300328,**  
**EN 301489-1/-17,**  
**EN 50663**

La personne autorisée à compiler le dossier technique,  
**Nom Marcel Filz**  
**Adresse Positec Germany GmbH**  
**Postfach 32 02 16, 50796 Cologne, Germany**



2022/12/06  
Allen Ding  
Ingénieur en chef adjoint, Essais & Certification  
Positec Technology (China) Co., Ltd  
18, Dongwang Road, Suzhou Industrial  
Park, Jiangsu 215123, P. R. China

# INDICE

Introduzione.....	24
Elencocomponenti.....	25
Sicurezza del prodotto.....	26
Istruzioni sul funzionamento.....	28
Come ricaricare la batteria.....	28
Conservazione.....	28
Trasporto.....	29
Manutenzione e assistenza.....	29
Dati tecnici.....	29
Tutela ambientale.....	29
I Dichiarazione di conformità.....	29

## INTRODUZIONE

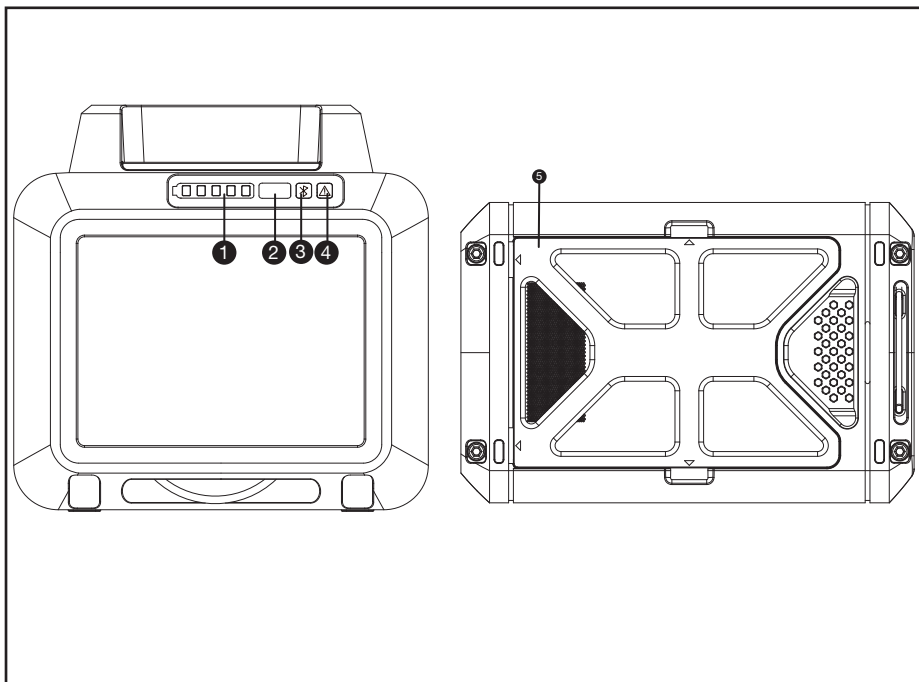
Gentile Cliente,

Grazie per aver acquistato questo prodotto Kress Commercial. Ci dedichiamo allo sviluppo di prodotti di alta qualità per soddisfare le vostre esigenze relative alla progettazione dei giardini.

Il marchio Kress è sinonimo di un servizio di prima qualità. Se avete domande o dubbi, per tutta la durata di utilizzo dei prodotti, nel corso degli anni, vi preghiamo di contattare il rivenditore presso il quale avete acquistato il prodotto, o il nostro Servizio clienti per ricevere assistenza.

Siamo sicuri che le piacerà lavorare con il suo prodotto Kress per gli anni a venire.





## ELENCO COMPONENTI

1. SPIA LUMINOSA DELLA BATTERIA
2. PULSANTE DI VERIFICA DELL'ALIMENTAZIONE
3. PULSANTE DI VERIFICA DELL'ALIMENTAZIONE
4. SPIA DI GUASTO
5. FILTRO ANTIPOLVERE

# SICUREZZA DEL PRODOTTO



**ATTENZIONE!** È assolutamente necessario leggere attentamente tutte le istruzioni. *Eventuali errori nell'adempimento delle istruzioni qui di seguito riportate potranno causare scosse elettriche, incendi e/o lesioni gravi.*

Leggere attentamente le istruzioni per il funzionamento sicuro della macchina. Conservare tutti gli avvisi e le istruzioni per poterle consultare quando necessario. Utilizzare il pacco batteria esclusivamente per i prodotti Kress senza filo. Fare riferimento all'etichetta di marcatura e al manuale di istruzioni fornito in dotazione al prodotto.

## ISTRUZIONI PER LA SICUREZZA DEL PACCO BATTERIA

- a) Non smontare, aprire o strappare le cellule secondarie o il pacco batteria.
- b) Non cortocircuitare un pacco batteria. Non conservare un pacco batteria disordinatamente in una scatola o un cassetto in cui potrebbero cortocircuitarsi tra essi o essere cortocircuitati da altri oggetti metallici. Quando il pacco batteria non è in uso, tenerlo lontano da altri oggetti metallici come graffette, monete, chiavi, chiodi, viti e altri piccoli oggetti metallici, potrebbe avverarsi un collegamento tra i due terminali. Collegare i terminali della batteria potrebbe causare incendi o ustioni.
- c) Non esporre il pacco batteria a calore o fuoco. Evitare di conservarli alla luce diretta del sole.
- d) Non sottoporre il pacco batteria a scosse meccaniche.
- e) In caso di perdite da una cellula, evitare che il liquido entri in contatto con la pelle o gli occhi. In caso di contatto, lavare l'area interessata con abbondante acqua e consultare un medico.
- f) Tenere le cellule e il pacco batteria puliti e asciutti.
- g) Pulire i terminali delle cellule e del pacco batteria con un panno pulito e asciutto nel caso in cui si sporchino.
- h) Il pacco batteria deve essere caricato prima dell'uso. Utilizzare sempre il caricatore corretto e consultare le istruzioni.
- i) Non lasciare un pacco batteria in carica se non in uso.
- j) Dopo lunghi periodi di conservazione, potrebbe essere necessario caricare e scaricare le cellule o il pacco batteria diverse volte per ottenere le massime prestazioni.
- k) Ricaricare solo con il caricatore specificato da Kress. Non utilizzare caricatori diversi

da quelli forniti per l'uso specifico con l'apparecchiatura.

- l) Non utilizzare un pacco batteria non progettato per l'uso con l'apparecchiatura.
- m) Tenere il pacco batteria fuori dalla portata dei bambini.
- n) Conservare i documenti originali del prodotto per riferimenti futuri.
- o) Rimuovere la batteria dall'apparecchiatura, se non in uso.
- p) Smaltire adeguatamente.
- q) Non mischiare batterie di diverse marche, capacità, dimensioni o tipologia nello stesso dispositivo.
- r) Tenere la batteria lontano da microonde e alta pressione.

## AVVISO DI SICUREZZA SUPPLEMENTARE PER IL PACCO BATTERIA COMMERCIALE

1. Utilizzare il pacco batteria solo per i prodotti a batteria Kress Commercial.
2. Utilizzare il pacco batteria solo con il caricabatterie KAC840 o con altri caricabatterie elencati nel manuale dell'operatore.
3. Utilizzare il pacco batteria solo con le stazioni di alimentazione KAC875E e KAC877E o con le stazioni di alimentazione aggiuntive elencate nel manuale dell'operatore.
4. Per ottenere le migliori prestazioni, prestare attenzione al seguente intervallo di temperatura ambiente; non caricare, utilizzare o conservare il dispositivo in caso di superamento del seguente intervallo di temperatura:
  - a) Intervallo di temperatura di ricarica: -5°C~45°C
  - b) Intervallo temperatura di scarica: -20°C~45°C
  - c) Intervallo temperatura di stoccaggio: 5°C~25°C
5. Per ridurre il rischio di scosse elettriche, incendio ed esplosione dovuti a cortocircuiti:
  - a) Se la batteria è esposta alla pioggia durante il funzionamento, rimuoverla dal prodotto e lasciarla asciugare al chiuso. Accertarsi che sia completamente asciutta prima di caricarla o di riutilizzarla.
  - b) Non immergere la batteria in acqua o in altri liquidi.
  - c) Non collegare i terminali della batteria con fili o altri oggetti metallici.
  - d) Il pacco batteria deve essere tenuto lontano da piccoli oggetti metallici conduttori (come graffette, chiodi, monete, chiavi, ecc.).
  - e) Conservare le batterie al chiuso, in un locale asciutto.
  - f) Non conservare la batteria in un ambiente umido o corrosivo o in un ambiente che possa causare la corrosione delle sue parti metalliche.
  - g) Proteggere le batterie dall'esposizione a

sostanze corrosive come i prodotti chimici per il giardinaggio e i sali antighiaccio.

- h) Non conservare le batterie all'interno degli utensili elettrici.
  - i) Quando si conserva la batteria, mantenerla con una carica compresa tra il 40% e il 60% (3 spie verdi accese).
  - j) Se il pacco batteria deve essere spedito per via aerea separatamente, la carica non può superare il 30%.
  - k) Se si conserva la batteria nel caricabatterie, scollegare il caricabatterie dalla presa di corrente.
  - l) Non tentare di riparare, aprire o smontare la batteria. Non ci sono parti regolabili da parte dell'utente all'interno dell'apparecchio.
  - m) Per ridurre il rischio di lesioni personali dovute all'attivazione accidentale, rimuovere sempre la batteria prima di assemblare, trasportare, regolare, pulire, eseguire la manutenzione o riporre l'utensile elettrico.
6. L'incendio della batteria è pericoloso. Per ridurre il rischio di gravi lesioni personali e danni materiali in caso di incendio:
- a) Evacuare l'area. Gli incendi possono propagarsi rapidamente. Tenersi lontano da gas e fumi generati e mantenere una distanza di sicurezza.
  - b) Contattare i vigili del fuoco.
  - c) Sebbene sia possibile utilizzare l'acqua per spegnere gli incendi delle batterie, è meglio utilizzare un estintore chimico a secco multiuso.
  - d) Consultare i vigili del fuoco per il corretto smaltimento delle batterie bruciate.
7. La fuoriuscita del liquido della batteria può causare irritazioni alla pelle e agli occhi o ustioni chimiche.
- a) Evitare il contatto con gli occhi e la pelle.
  - b) Se il liquido penetra negli occhi: Non sfregarli. Sciacquare gli occhi aperti con acqua per almeno 15 minuti e consultare un medico.
  - c) In caso di contatto accidentale, lavare immediatamente e accuratamente l'area di contatto con acqua e sapone neutro.
  - d) Utilizzare un assorbente inerte come la sabbia sul liquido fuoriuscito.





## REQUISITI DEL MANUALE D'USO PER IL PRODOTTO WIRELESS

- a) Il funzionamento di questo dispositivo è soggetto alla due seguenti condizioni:
  - (1) Questo dispositivo non deve causare interferenze pericolose, e
  - (2) questo dispositivo deve accettare qualsiasi interferenza ricevuta, incluse quelle che potrebbero causare un funzionamento indesiderato.
- b) Attenzione: Cambiamenti o modifiche a questa unità non espressamente approvate dai responsabili in materia di conformità potrebbero

invalidare il diritto dell'utente ad utilizzare l'apparecchiatura.

- c) NOTA: Questa apparecchiatura genera, utilizza e può irradiare energia a radiofrequenza e, se non installata e utilizzata in conformità alle istruzioni, può causare interferenze dannose alla comunicazione radio. Tuttavia, non vi è alcuna garanzia che non si verifichino interferenze in una installazione specifica. Se questo dispositivo causa interferenze dannose alla ricezione radio o televisiva, che possono essere individuate spegnendo e riaccendendo il dispositivo, l'utente è incoraggiato a cercare di correggere l'interferenza eseguendo una o più delle seguenti misure:
  - Riorientare o spostare l'antenna ricevente.
  - Accrescere il divario tra l'apparecchiatura e il ricevitore.
  - Collegare l'apparecchiatura ad una presa su un circuito diverso da quello al quale è collegato il ricevitore.
  - Consultare il rivenditore o un tecnico radiotelevisivo esperto.

## SIMBOLI

	<p>Smaltimento ecologico I vecchi apparecchi elettrici non devono essere smaltiti insieme ai rifiuti residui, ma devono essere smaltiti separatamente. Lo smaltimento presso il punto di raccolta comunale da parte dei privati è gratuito. Il proprietario dei vecchi apparecchi è tenuto a portarli in questi punti di raccolta o in punti di raccolta simili. Con questo piccolo sforzo personale, si contribuisce al riciclo di preziose materie prime e al trattamento di sostanze tossiche.</p>
 <p>Li-Ion</p> 	<p>Batteria agli ioni di litio (Li-Ion). Questo prodotto è stato contrassegnato con un simbolo riguardante la raccolta differenziata per tutti i pacchi batteria. La batteria sarà poi riciclata o demolita allo scopo di ridurre l'impatto ambientale. I pacchi batteria possono costituire un pericolo per l'ambiente e per la salute umana in quanto contengono sostanze pericolose.</p>
	<p>Non bruciare</p>



Se smaltite in maniera scorretta, le batterie potrebbero entrare nel ciclo dell'acqua, con conseguenti rischi per l'ambiente. Non smaltire le batterie esaurite nei rifiuti generici.

## ISTRUZIONI SUL FUNZIONAMENTO

### Indicazioni per l'uso ottimale della batteria ricaricabile

#### Nota:

1. Il pacco batteria è parzialmente carico e va ricaricato prima di utilizzarlo per la prima volta. Per garantire la massima capacità della batteria, caricare completamente la batteria nel caricabatteria prima di utilizzarla nell'utensile elettrico per la prima volta.
2. La batteria perde lentamente la carica se viene tenuta fuori dal caricatore o se viene lasciata per lungo tempo in un caricatore scollegato. Potrebbe essere necessario ricaricarla prima dell'uso.

Il CyberPack può essere utilizzato con uno zaino; per i dettagli, consultare il manuale dello zaino.

Quando si verificano errori di scarica eccessiva, carica eccessiva, sovra-temperatura e bassa temperatura durante la carica della batteria sul caricabatteria o l'utilizzo sulla macchina, l'utente riceve un messaggio di errore e il caricabatteria o la macchina interrompono la carica o il funzionamento.

La batteria agli ioni di litio può essere caricata in qualsiasi momento senza ridurre la durata della sua vita utile. L'interruzione del processo di ricarica non comporta danni per la batteria.

Il livello della batteria può essere dedotto tramite la spia luminosa della batteria, premendo il pulsante di verifica dell'alimentazione. Prima dell'avvio o dopo l'uso, premere il pulsante di verifica dell'alimentazione sulla batteria per controllare la carica della batteria.

Indicazioni	Luce LED	Stato della batteria
Sono accese cinque luci verdi.		$80\% \leq$ Livello di carica $\leq 100\%$
Sono accese quattro luci verdi.		$60\% \leq$ Livello di carica $< 80\%$

Sono accese tre luci verdi.		$40\% \leq$ Livello di carica $< 60\%$
Sono accese due luci verdi.		$20\% \leq$ Livello di carica $< 40\%$
È accesa una sola luce verde.		$10\% \leq$ Livello di carica $< 20\%$
Una luce verde lampeggia.		$0\% \leq$ Livello di carica $< 10\%$

È possibile visualizzare lo stato della batteria attraverso lo stato della spia Bluetooth e della spia di guasto.

Indicazioni	Stato della batteria
La spia Bluetooth è accesa.	Il Bluetooth è collegato.
La spia Bluetooth non è accesa.	Il Bluetooth non è collegato.
La spia di guasto è accesa.	Guasto alla batteria, impedire la carica e la scarica.
La spia di guasto non è accesa.	È normale.

Quando la batteria si guasta, la spia di guasto si accende e attraverso l'APP è possibile visualizzare in modo specifico la causa del guasto e la relativa soluzione.

## COME RICARICARE LA BATTERIA

Consultare il manuale di istruzioni fornito in dotazione al caricabatteria.

## CONSERVAZIONE

Conservare la batteria ricaricabile esclusivamente nel campo di temperatura da 5°C fino a 25°C. Quando viene tenuta fuori dal caricabatteria o lasciata in un caricabatteria scollegato per un lungo periodo di tempo, la batteria continua a raggiungere un livello relativamente alto.

Una sensibile riduzione della durata del funzionamento dopo l'operazione di ricarica sta ad indicare che la batteria ricaricabile dovrà essere sostituita.

## TRASPORTO

Le batterie ricaricabili agli ioni di litio contenute sono soggetti ai requisiti di legge relativi a merci pericolose. Le batterie ricaricabili possono essere trasportate su strada tramite l'utente senza ulteriori precauzioni.

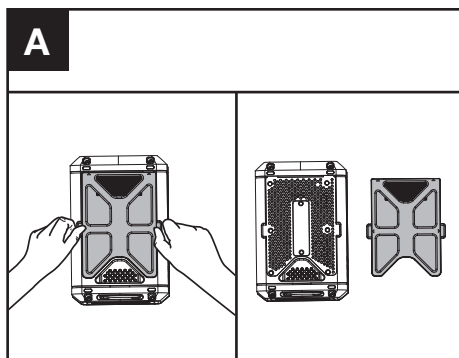
Spedire batterie ricaricabili solamente se la carcassa non è danneggiata. Imballare le batterie in modo che non si spostino all'interno del pacco.

## MANUTENZIONE E ASSISTENZA

Pulire di tanto in tanto le fessure di ventilazione della batteria ricaricabile con un pennello morbido, pulito ed asciutto.

Quando il filtro antipolvere della batteria è intasato, è necessario rimuoverlo e sciacquarlo con acqua.

Dopo averlo asciugato, reinserire il filtro antipolvere nella batteria. Se il filtro antipolvere è danneggiato, sostituirlo tempestivamente per proteggere la batteria. (Vedere Fig. A)



Se la batteria ricaricabile non dovesse più funzionare, rivolgersi ad un Centro per il Servizio Clienti elettrodomestici Kress autorizzato.



## DATI TECNICI

	KAC804
Tensione	60 V $\equiv$ MAX*
Capacità della batteria	4.0 Ah
Temperatura ambiente consigliata per la ricarica	-5-45 °C
Temperatura di conservazione ottimale in uso	5-25 °C
Peso della batteria	3 kg
Grado di protezione	IPX5

Banda di frequenza per Bluetooth	2400-2483.5 MHz
Potenza Massima Trasmessa per Bluetooth	8 dBm

\* Tensione misurata senza carico di lavoro. La tensione iniziale della batteria raggiunge un massimo di 60 Volt. La tensione nominale è di 54 Volt.

## TUTELA AMBIENTALE

 I prodotti elettrici non possono essere gettati tra i rifiuti domestici. L'apparecchio da  rottamare deve essere portato al centro di riciclaggio per un corretto trattamento. Controllare con le autorità locali o con il rivenditore per localizzare il centro di riciclaggio più vicino.

## DICHIARAZIONE DI CONFORMITÀ

Noi,  
Positec Germany GmbH  
Postfach 32 02 16, 50796 Cologne, Germany

Dichiariamo che l'apparecchio,  
Descrizione **Pacco batteria**  
Codice **KAC804**  
Funzione **Fornisce energia a utensili elettrici, attrezzi da giardino e prodotti simili**

È conforme alle seguenti direttive:  
**2006/66/EC & 2013/56/EU, 2014/53/EU, 2011/65/EU & (EU) 2015/863**

Conforme a,  
**EN 62133-2,**  
**EN 300328,**  
**EN 301489-1/-17,**  
**EN 50663**

Il responsabile autorizzato alla compilazione della documentazione tecnica,  
**Nome Marcel Filz**  
**Indirizzo Positec Germany GmbH**  
**Postfach 32 02 16, 50796 Cologne, Germany**



2022/12/06  
Allen Ding  
Vice capo ingegnere, testing e certificazione  
Positec Technology (China) Co., Ltd  
18, Dongwang Road, Suzhou Industrial  
Park, Jiangsu 215123, P. R. China

# ÍNDICE

Introducción.....	30
Lista de componentes.....	31
Seguridad del producto.....	32
Instrucciones de funcionamiento.....	33
Cómo cargar la batería.....	33
Almacenamiento.....	33
Transporte.....	34
Mantenimiento y servicio.....	34
Datos técnicos.....	34
Protección ambiental.....	34
<b>ES</b> Declaración de conformidad.....	34

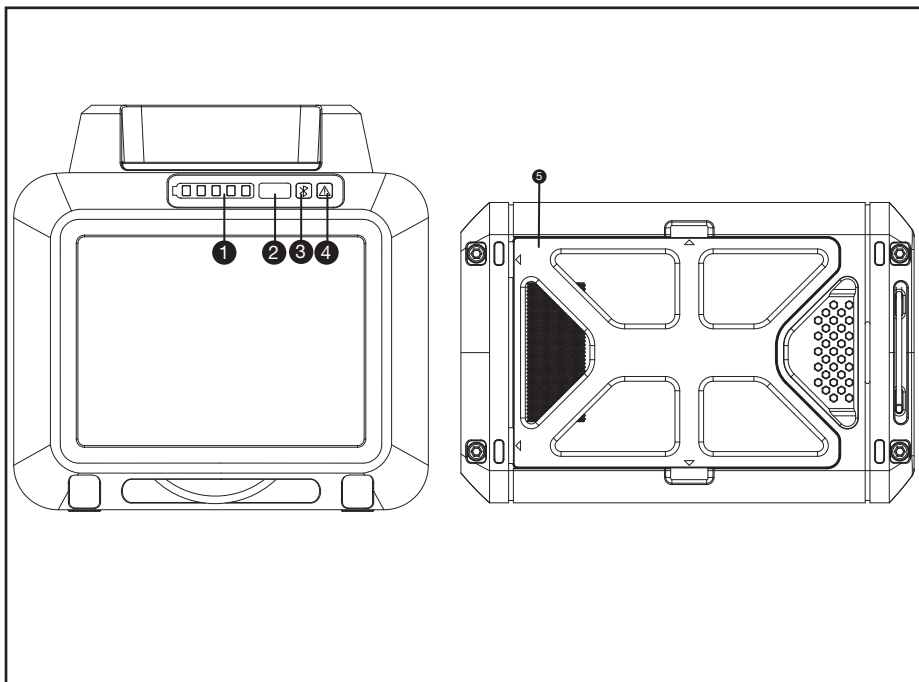
## INTRODUCCIÓN

Estimado cliente,

Gracias por comprar este producto Kress Commercial. Nos dedicamos a desarrollar productos de alta calidad para satisfacer sus requisitos de jardinería comercial.

La marca Kress es sinónimo de servicio de calidad suprema. Durante la vida de nuestros productos, si le surgen preguntas o preocupaciones sobre su producto, puede ponerse en contacto con el distribuidor o con nuestro Equipo de Atención al Cliente para obtener ayuda.

Confiamos en que, en los años venideros, disfrute trabajando con su producto Kress.



## LISTA DE COMPONENTES

- |    |                                 |
|----|---------------------------------|
| 1. | LUZ INDICADORA DE BATERÍA       |
| 2. | BOTÓN DE PRUEBA DE ALIMENTACIÓN |
| 3. | LUZ INDICADORA DE BLUETOOTH     |
| 4. | LUZ INDICADORA DE FALLO         |
| 5. | FILTRO ANTIPOLVO                |

# SEGURIDAD DEL PRODUCTO



**¡Advertencia! Leer todas las instrucciones.** *Si no se respetan las instrucciones, existe un riesgo de descargas eléctricas, de incendio y/o de graves heridas.*

Lea detenidamente las instrucciones para un uso seguro de la máquina.

Conserve todas las advertencias e instrucciones para futuras consultas.

La batería únicamente debe utilizarse con los productos inalámbricos de Kress. Consulte la etiqueta de datos y el manual de instrucciones que se incluyen con el producto.

## ADVERTENCIAS DE SEGURIDAD PARA LA BATERÍA

- a) No desmonte, abra o destruya las pilas o las baterías recargables.
- b) No provoque un cortocircuito en la batería. No almacene las baterías de forma descuidada en una caja o cajón donde podría provocar un cortocircuito entre ellas o mediante otros objetos metálicos. Cuando la batería no esté siendo utilizada, manténgala alejada de objetos metálicos, como clips de papel, monedas, llaves, clavos, tornillos u otros objetos metálicos pequeños, que pueden posibilitar la conexión de un borne con otro. Al provocar un cortocircuito con los bornes de la batería se pueden sufrir quemaduras o generar un incendio.
- c) No exponga las baterías al calor o al fuego. No las guarde expuestas directamente al sol.
- d) No exponga las baterías a impactos mecánicos.
- e) En caso de que la batería tenga fugas de líquido, no permita que el líquido entre en contacto con la piel o los ojos. Si se produce el contacto, lave la zona afectada con grandes cantidades de agua y acuda a un médico.
- f) Mantenga las baterías limpias y secas.
- g) Limpie los bornes de la batería con un paño limpio si se ensucian.
- h) Cargue la batería antes de utilizarla. Consulte siempre estas instrucciones y aplique el procedimiento de carga adecuado.
- i) No deje la batería cargándose durante prolongados períodos de tiempo cuando no se utilice.
- j) Después de prolongados períodos de almacenamiento, puede que sea necesario cargar y descargar la batería varias veces para obtener el máximo rendimiento.
- k) Recargue solo con el cargador indicado por Kress. No utilice ningún otro cargador que no sea el específicamente proporcionado para

el uso con este equipo.

- l) No utilice ninguna batería distinta a la diseñada para utilizarse con el aparato.
- m) Mantenga la batería fuera del alcance de los niños.
- n) Conserve la documentación original del producto por si tuviera que consultarla en otro momento.
- o) Extraiga la batería del aparato cuando no lo utilice.
- p) Deshágase del producto correctamente.
- q) No se deben mezclar pilas de diferentes fabricantes, capacidad, tamaño o tipo en un mismo dispositivo.
- r) Mantener la batería lejos de microondas y alta presión.

## ADVERTENCIA DE SEGURIDAD ADICIONAL PARA EL PAQUETE DE BATERÍAS COMMERCIAL

1. Use el paquete de baterías solo para los productos sin cable Kress Commercial.
2. Use el paquete de baterías solo con el cargador KAC840 u otros cargadores enumerados en el manual del operador.
3. Use el paquete de baterías solo con las estaciones de carga KAC875E y KAC877E u otras estaciones de carga mencionadas en el manual del operador.
4. Para obtener el mejor rendimiento, preste atención a los siguientes intervalos de temperatura; no lo cargue, use o almacene en caso de exceder los siguientes intervalos de temperatura:
  - a) Intervalo de temperatura de carga: -5°C~45°C
  - b) Intervalo de temperatura de descarga: -20°C~45°C
  - c) Intervalo de temperatura de almacenamiento: 5°C~25°C
5. Para reducir el riesgo de descargas eléctricas, incendios y explosiones debido a cortocircuitos:
  - a) Si la batería está expuesta a la lluvia durante el funcionamiento, retírela del producto y deje que se seque en el interior. Asegúrese de que está completamente seca antes de cargarla o volver a usarla.
  - b) No sumerja la batería en agua u otros líquidos.
  - c) No puentee los terminales de la batería con cables u otros objetos metálicos.
  - d) El paquete de baterías debería permanecer alejado de pequeños objetos metálicos conductores (como sujetapapeles, clavos, monedas, llaves, etc.).
  - e) Almacene las baterías en el interior en una habitación seca.
  - f) No almacene la batería en un ambiente húmedo o corrosivo, o en el que se puedan corroer las partes metálicas.



- g) Proteja las baterías de la exposición a sustancias corrosivas, como productos químicos de jardinería y sales de deshielo.
- h) Nunca almacene las baterías dentro de herramientas eléctricas.
- i) Cuando almacene la batería, manténgala con una carga entre el 40 % y 60 % (3 luces verdes encendidas).
- j) Si el paquete de baterías tiene que enviarse por aire por separado, la carga no puede exceder el 30 %.
- k) Si almacena la batería en el cargador, desconecte el cargador del enchufe.
- l) No intente reparar, abrir o desmontar la batería. En el interior no hay piezas que pueda reparar el usuario.
- m) Para reducir el riesgo de lesiones personales por la activación accidental, retire siempre la batería antes de montar, transportar, ajustar, limpiar, realizar el mantenimiento o almacenar la herramienta eléctrica.
6. El incendio de una batería es peligroso. Para reducir el riesgo de lesiones personales graves y daños materiales en caso de incendio:
- a) Evacue la zona. El fuego se puede extender rápidamente. Aléjese de los gases y humos generados y manténgase a una distancia prudencial.
- b) Póngase en contacto con el departamento de bomberos.
- c) Aunque se puede usar agua para extinguir el incendio de una batería, es mejor usar un extintor químico seco multiuso.
- d) Consulte con los bomberos para la correcta eliminación de las baterías quemadas.
7. Las fugas de líquido de la batería pueden causar irritación de la piel y de los ojos o quemaduras químicas.
- a) Evite el contacto con la piel y los ojos.
- b) Si el líquido alcanza los ojos: No frotar. Enjuagar los ojos abiertos con agua durante al menos 15 minutos y acudir al médico.
- c) En caso de contacto accidental, lave la zona afectada de inmediato y minuciosamente con jabón suave y agua.
- d) Use un absorbente inerte, como la arena, sobre el líquido derramado.



## REQUISITOS DEL MANUAL DE USUARIO PARA EL PRODUCTO INALÁMBRICO

- a) El funcionamiento de este dispositivo está sujeto a las siguientes condiciones:
- (1) Este dispositivo no puede causar interferencias perjudiciales, y
- (2) debe aceptar cualquier interferencia recibida, incluyendo las que puedan causar un funcionamiento indeseado.
- b) Precaución: Los cambios o modificaciones a este aparato que no estén expresamente aprobados por la parte responsable del

cumplimiento podrían anular la autoridad del usuario para utilizar el equipo.

- c) NOTA: Este equipo genera, usa y puede radiar energía de radiofrecuencia y, si no se instala y usa de acuerdo con las instrucciones, puede causar interferencias perjudiciales para las comunicaciones de radio. Sin embargo, no se garantiza que no ocurran interferencias en una instalación particular. Si este equipo causa interferencias perjudiciales en la recepción de radio o televisión, lo cual puede determinarse apagando y encendiendo el equipo, se recomienda al usuario que intente corregir las interferencias mediante una o varias de las siguientes medidas:
- Reoriente o reubique la antena receptora.
  - Aumente la distancia entre el equipo y el receptor.
  - Conecte el equipo a una toma de corriente de un circuito diferente al que está conectado el receptor.
  - Consulte con el proveedor o un técnico con experiencia en radio/TV para obtener ayuda.

## SÍMBOLOS

	<p>Eliminación respetuosa con el medio ambiente Los aparatos eléctricos antiguos no deben eliminarse junto con los residuos, sino que deben eliminarse por separado. La eliminación en el punto de recogida comunal a través de particulares es gratuita. El propietario de los electrodomésticos viejos es responsable de llevarlos a estos puntos de recogida o a otros similares. Con este pequeño esfuerzo personal, contribuye a reciclar valiosas materias primas y al tratamiento de sustancias tóxicas.</p>
 	<p>Batería de iones de litio. Este producto tiene una marca que lo designa para la recogida selectiva, junto con otras pilas y baterías. Una vez recogido, se reciclará o se desmontará con el fin de reducir el impacto en el medioambiente. Las baterías contienen sustancias peligrosas y pueden ser perjudiciales para el medioambiente y para la salud de las personas.</p>
	<p>No quemar</p>



Si no se eliminan correctamente, las baterías podrían interferir en el ciclo del agua, una situación que pondría en riesgo el ecosistema. Por este motivo, las baterías no deben eliminarse junto con los residuos municipales sin clasificar.

## INSTRUCCIONES DE FUNCIONAMIENTO

### Indicaciones para el trato óptimo del acumulador

#### Observación:

1. Su batería externa está parcialmente cargada y tiene que ser cargado completamente antes de ser usado por primera vez. Para asegurar la plena capacidad de la batería, cargue completamente la batería en el cargador antes de usar la batería en la herramienta eléctrica por primera vez.
2. El grupo de baterías se descargará lentamente si se dejan fuera del cargador o dentro del cargador desconectado durante mucho tiempo. Se debe cargar antes de usarlo.

Puede usar CyberPack con una mochila, consulte el manual de mochila para obtener más detalles.

Si se producen fallos de alta y baja temperatura, sobrecarga y sobredescarga durante la carga del grupo de baterías en el cargador o durante el uso del grupo de baterías en la máquina, el usuario recibirá un mensaje de error y el cargador o la máquina dejará de cargar o de funcionar.

La batería de ion-litio se puede cargar en cualquier momento sin reducir su vida en servicio. Interrumpir el procedimiento de carga no daña la batería.

El nivel de batería se puede saber por la luz indicadora de la batería al pulsar el botón de prueba de alimentación. Antes del encendido o después del uso, pulse el botón de prueba de alimentación en el grupo de baterías para comprobar la capacidad de la batería.

Comentarios	Luz LED	Estado de la batería
Se iluminan cinco luces verdes.		80% ≤ Nivel de energía ≤ 100%
Se iluminan cuatro luces verdes.		60% ≤ Nivel de energía < 80%

Se iluminan tres luces verdes.		40% ≤ Nivel de energía < 60%
Se iluminan dos luces verdes.		20% ≤ Nivel de energía < 40%
Se ilumina una luz verde.		10% ≤ Nivel de energía < 20%
Una luz verde está parpadeando.		0% ≤ Nivel de energía < 10%

Puede conocer el estado relevante de la batería por el estado de la luz indicadora de Bluetooth y la luz indicadora de fallo.

Comentarios	Estado de la batería
La luz indicadora de Bluetooth está encendida.	Bluetooth está conectado.
La luz indicadora de Bluetooth no está encendida.	Bluetooth no está conectado.
La luz indicadora de fallo está encendida.	Fallo de batería, no se debe cargar o descargar.
La luz indicadora de fallo no está encendida.	Es normal.

Cuando el grupo de batería falla, la luz indicadora de fallo se encenderá y podrá ver la causa y la solución del fallo específico a través de la APP.

## CÓMO CARGAR LA BATERÍA

Consulte el manual de instrucciones suministrado con el cargador.

## ALMACENAMIENTO

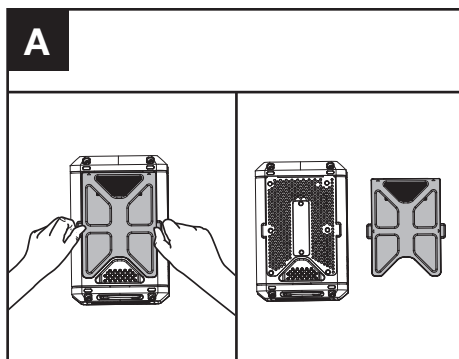
Únicamente almacene el acumulador sin exceder el margen de temperatura de 5°C a 25°C. Cuando está fuera del cargador o se deja en un cargador no enchufado durante mucho tiempo, la batería todavía llega a un nivel relativamente alto. Si después de una recarga, el tiempo de funcionamiento del acumulador fuese muy reducido, ello es señal de que éste está agotado y deberá sustituirse.

## TRANSPORTE

Los acumuladores de iones de litio incorporados están sujetos a los requerimientos estipulados en la legislación sobre mercancías peligrosas. Los acumuladores pueden ser transportados por carretera por el usuario sin más imposiciones. Únicamente envíe acumuladores si su carcasa no está dañada. Las baterías deben embalarse de forma que no puedan moverse dentro del material de embalaje.

## MANTENIMIENTO Y SERVICIO

Limpie de vez en cuando las rejillas de refrigeración del acumulador con un pincel suave, limpio y seco. Cuando el filtro antipolvo de la batería está bloqueado, deberá eliminar el polvo y enjuagar el filtro antipolvo con agua. Una vez seco, vuelva a colocar el filtro antipolvo en la batería. Para proteger la batería, cambie el filtro antipolvo a tiempo, si éste está dañado. (Ver Fig. A)



Si el acumulador fuese inservible diríjase a un servicio técnico autorizado para herramientas eléctricas Kress.

## DATOS TÉCNICOS

	KAC804
Tensión	60 V  MAX*
Capacidad de la batería	4.0 Ah
Ambiente recomendado Temperatura para cargar	-5~45 °C
Temperatura óptima de almacenamiento en uso	5~25 °C
Peso de la batería	3 kg
Grado de protección	IPX5

Bandas de frecuencia para Bluetooth	2400-2483.5 MHz
Potencia transmitida máxima para Bluetooth	8 dBm

\* Voltaje medido sin carga. El voltaje inicial máximo de la batería es de 60 voltios. El voltaje nominal es de 54 voltios.

## PROTECCIÓN AMBIENTAL

Los residuos de aparatos eléctricos y electrónicos no deben depositarse en la basura doméstica. Se deben reciclar en las instalaciones especializadas. Consulte a las autoridades locales o el establecimiento para saber cómo reciclar estos productos.

## DECLARACIÓN DE CONFORMIDAD

Los que reciben,  
Positec Germany GmbH  
Postfach 32 02 16, 50796 Cologne, Germany

Declaran que el producto,  
Descripción **Paquete de baterías**  
Modelo **KAC804**  
Función **Proporciona energía a las herramientas eléctricas, de jardín y productos similares**

Cumple con las siguientes Directivas:  
**2006/66/EC & 2013/56/EU, 2014/53/EU, 2011/65/EU & (EU) 2015/863**

Cumple las normativas,  
**EN 62133-2,**  
**EN 300328,**  
**EN 301489-1/-17,**  
**EN 50663**

La persona autorizada para componer el archivo técnico,  
Nombre **Marcel Filz**  
Dirección **Positec Germany GmbH**  
Postfach 32 02 16, 50796 Cologne, Germany



2022/12/06  
Allen Ding  
Ingeniero Jefe Adjunto, Pruebas y Certificación  
Positec Technology (China) Co., Ltd  
18, Dongwang Road, Suzhou Industrial  
Park, Jiangsu 215123, P. R. China

ES

# ÍNDICE

Introdução.....	36
Lista de componentes.....	37
Segurança do produto.....	38
Funcionamento.....	40
Como carregar a bateria.....	40
Armazenamento.....	40
Transporte.....	41
Manutenção e serviço.....	41
Especificações técnicas.....	41
Proteção ambiental.....	41
<hr/> <b>PT</b> Declaração de conformidade.....	41

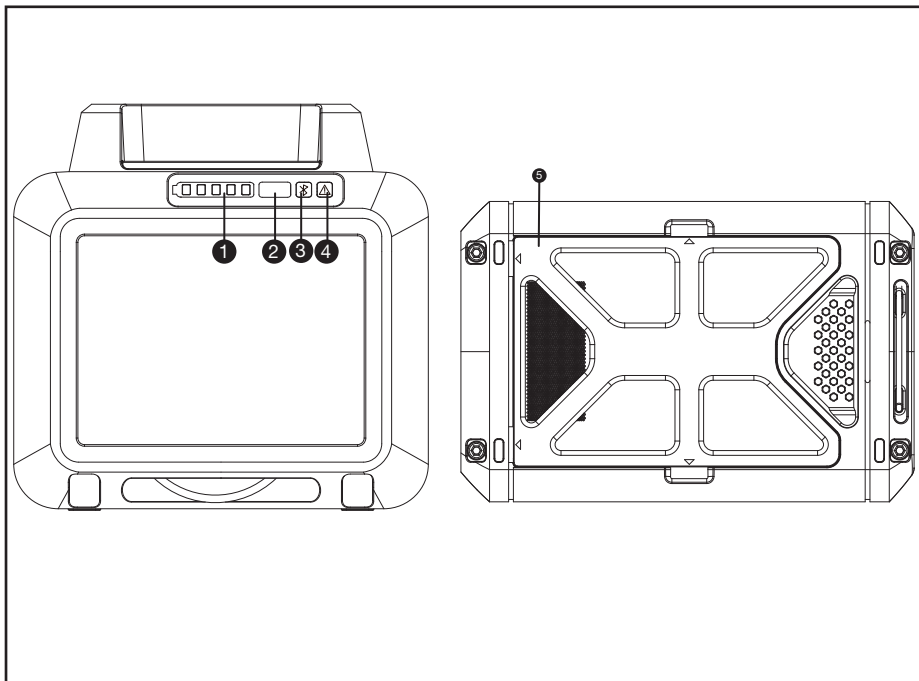
## INTRODUÇÃO

Estimado Cliente,

Obrigado por adquirir este produto Kress Commercial. Estamos empenhados em desenvolver produtos de alta qualidade que satisfaçam os seus requisitos comerciais de jardinagem.

A marca Kress é sinónimo de um serviço de qualidade superior. Ao longo dos anos de vida útil dos produtos, se tiver dúvidas ou preocupações relativamente ao produto, contacte o revendedor ou a Equipa de Atendimento ao Cliente para obter assistência.

Estamos confiantes de que irá gostar de trabalhar com o seu produto Kress durante muitos anos.



## LISTA DE COMPONENTES

- |    |                             |
|----|-----------------------------|
| 1. | LUZ INDICADORA DA BATERIA   |
| 2. | BOTÃO DE TESTE DE POTÊNCIA  |
| 3. | LUZ INDICADORA DE BLUETOOTH |
| 4. | LUZ INDICADORA DE FALHA     |
| 5. | FILTRO DE POEIRAS           |

# SEGURANÇA DO PRODUTO



**ATENÇÃO!** Leia atentamente as seguintes instruções. A não observância destas instruções pode causar choque eléctrico, incêndio e/ou lesões graves.

Leia atentamente as instruções para uma operação segura da máquina. Guarde estas instruções para referência futura. Utilize apenas a bateria destinada a produtos sem fios Kress. Consulte a etiqueta de identificação e o manual de instruções fornecidos com o produto.

## AVISOS DE SEGURANÇA PARA A BATERIA

- a) Não desmonte, abra ou corte as células da bateria.
- b) Não submeta a bateria a curto-circuitos. Não armazena as baterias ao acaso numa caixa ou gaveta onde possam provocar um curto-circuito ou submetidas a curto-circuitos por materiais condutores. Quando não estiver a utilizar a bateria, mantenha-a afastada de outros objectos metálicos, como cliques, moedas, chaves, pregos, parafusos ou outros pequenos objectos de metal, que possam realizar uma ligação de um terminal a outro. Um curto-circuito dos terminais da bateria pode provocar queimaduras ou um incêndio.
- c) Não exponha a bateria ao calor ou a incêndios. Evite o armazenamento à exposição de luz solar directa.
- d) Não exponha a bateria ao choque eléctrico.
- e) Em casos de fugas na bateria, não permita que o líquido entre em contacto com a pele ou olhos. Caso entre em contacto, lave a área afectada com quantidades abundantes de água e procure aconselhamento médico.
- f) Mantenha a bateria limpa e seca.
- g) Limpe os terminais da bateria com um pano limpo e seco em caso de sujidade.
- h) A bateria necessita de ser carregada antes de ser utilizada. Consulte sempre estas instruções e utilize o procedimento de carga correcto.
- i) Não mantenha a bateria a carregar quando não for utilizada.
- j) Após longos períodos de tempos de armazenamento, pode ser necessário carregar e descarregar a bateria diversas vezes para obter o desempenho máximo.
- k) Recarregue apenas com o carregador especificado pela Kress. Não utilize um carregador que não se encontra especificado para a utilização com o equipamento.
- l) Não utilize uma bateria que não se encontra concebida para a utilização com o equipamento.

- m) Mantenha a bateria fora do alcance das crianças.
- n) Preserve as informações originais do produto para futura referência.
- o) Retire a bateria do equipamento quando não estiver em utilização.
- p) Elimine-a de forma adequada.
- q) Não misture pilhas de diferente fabrico, capacidade, tamanho ou tipo num dispositivo.
- r) Mantenha a bateria longe de fornos micro-ondas e altas pressões.

## ADVERTÊNCIAS DE SEGURANÇA ADICIONAIS PARA O MÓDULO DA BATERIA COMERCIAL

1. Utilize o módulo de bateria apenas com produtos Kress Commercial sem fios.
2. Utilize o módulo de bateria apenas com o carregador de baterias KAC840 ou com outros carregadores de baterias listados no manual do operador.
3. Utilize o módulo de bateria apenas com a estação de carregamento KAC875E e KAC877E ou com outras estações de carregamento listadas no manual do operador.
4. Para obter o melhor desempenho, preste atenção aos seguintes limites de temperatura ambiente, e não carregue, utilize nem armazene o módulo de bateria se esses limites de temperatura forem ultrapassados:
  - a) Limites de temperatura durante o carregamento: -5°C~-45°C
  - b) Limites de temperatura para a descarga: -20°C~-45°C
  - c) Limites de temperatura para armazenamento: 5°C~25°C
5. Para reduzir o risco de choque eléctrico, incêndio e explosão devido a curtos-circuitos:
  - a) Se a bateria for exposta à chuva durante a operação, remova-a do produto e deixe-a secar dentro de casa. Certifique-se de que está completamente seca antes de a carregar ou reutilizar.
  - b) Não mergulhe a bateria em água nem noutros líquidos.
  - c) Não ligue os terminais da bateria um ao outro com fios ou outros objetos metálicos.
  - d) O módulo de bateria deve ser mantido longe de pequenos objetos metálicos condutores (como cliques de papel, pregos, moedas, chaves, etc.).
  - e) Guarde as baterias dentro de casa num local seco.
  - f) Não guarde as baterias num ambiente húmido ou corrosivo, ou num ambiente que possa causar a corrosão das suas partes metálicas.
  - g) Proteja as baterias da exposição a substâncias corrosivas, como produtos

químicos de jardinagem e sais de degelo.

h) Nunca deixe as baterias dentro de ferramentas elétricas.

i) Quando guardar a bateria, mantenha-a com uma carga entre 40% a 60% (3 luzes verdes acesas).

j) Se tiver de enviar a bateria por via aérea separadamente, o seu nível de carga não pode exceder 30%.

k) Se deixar a bateria no carregador, desligue o carregador da tomada elétrica.

l) Não tente reparar, abrir ou desmontar a bateria. Não existem no seu interior peças que possam ser reparadas pelo utilizador.

m) Para reduzir o risco de danos pessoais por ativação acidental, remova sempre a bateria antes de montar, transportar, ajustar, limpar, reparar ou armazenar a ferramenta elétrica.

6. Um incêndio da bateria é perigoso. Para reduzir o risco de lesões pessoais graves e danos materiais em caso de incêndio:

a) Evacue a área. Os incêndios podem propagar-se rapidamente. Mantenha-se afastado de quaisquer gases e fumos gerados e mantenha-se a uma distância segura.

b) Chame os bombeiros.

c) Embora a água possa ser utilizada para extinguir incêndios de baterias, é melhor utilizar um extintor de incêndio de pó químico multiusos.

d) Consulte o corpo de bombeiros para saber como eliminar com segurança as baterias queimadas.

7. O fluido da bateria derramado pode causar uma irritação ou queimaduras químicas nos olhos e na pele.

a) Evitar o contacto com a pele e os olhos.

b) Se o líquido entrar em contacto com os olhos: Não fricção. Lave os olhos com água durante pelo menos 15 minutos e obtenha assistência médica.

c) Em caso de contacto acidental, lave bem e imediatamente a área de contacto com água e um sabão suave.

d) Utilize um meio absorvente inerte, como areia, sobre o líquido derramado.

## REQUISITOS DO MANUAL DO UTILIZADOR PARA PRODUTOS SEM FIO

a) A operação deste aparelho está sujeita às duas condições seguintes:

(1) Este aparelho não pode causar interferências prejudiciais, e





(2) Este aparelho deve aceitar quaisquer interferências, incluindo interferências que possam causar um funcionamento indesejado.

b) Atenção: Quaisquer alterações ou modificações que não foram expressamente aprovadas pela parte responsável da conformidade, podem anular a autoridade do utilizador para operar

este equipamento.

- c) NOTA: Este equipamento gera, utiliza e pode radiar energia de radiofrequência e, se não for instalado e utilizado de acordo com as instruções, poderá causar interferência nociva em comunicações de rádio. No entanto, não existem quaisquer garantias de que não ocorram interferências numa instalação particular. Se este equipamento causar uma interferência prejudicial à receção de rádio ou televisão, o que pode ser determinado ao ligar e desligar o equipamento, recomenda-se que o utilizador tente corrigir esta interferência mediante uma ou mais das seguintes medidas:
- Reorientar ou reposicionar a antena recetora.
  - Aumentar a distância entre o equipamento e o recetor.
  - Ligar o equipamento a uma tomada num circuito diferente daquele ao qual o recetor está ligado.
  - Consultar o vendedor ou um técnico de rádio/TV experiente para obter ajuda.

## SÍMBOLOS

	<p>Eliminação ecologicamente responsável. Os aparelhos elétricos antigos não devem ser eliminados juntamente com os resíduos domésticos, mas devem ser eliminados separadamente. A eliminação no ponto de recolha municipal por pessoas privadas é gratuita. O proprietário de aparelhos antigos é responsável por entregar os aparelhos nesses pontos de recolha ou em pontos de recolha semelhantes. Com este pequeno esforço pessoal, contribui assim para a reciclagem de matérias-primas valiosas e para o tratamento de substâncias tóxicas.</p>
 Li-Ion 	<p>Bateria de íões de lítio Este produto foi marcado com um símbolo relacionado com a "recolha separada" de todos os conjuntos de baterias e o conjunto de bateria. Será reciclada ou desmontada para reduzir o impacto no meio ambiente. Os conjuntos de baterias podem ser perigosos para o meio ambiente e para a saúde humana, uma vez que contêm substâncias perigosas.</p>
	<p>Não queimar</p>



As baterias poderão entrar no ciclo hídrico caso sejam descartadas indevidamente, o que pode representar perigo para o ecossistema. Não elimine as baterias usadas como resíduos municipais não separados.

## FUNCIONAMENTO

### Indicações sobre o manuseio ideal do acumulador

#### Nota:

1. O seu módulo de bateria está parcialmente carregado e tem de ser totalmente carregado antes da primeira utilização. Para garantir a capacidade total da bateria, carregue completamente a bateria no carregador antes de utilizar a bateria na ferramenta pela primeira vez.
2. A bateria perderá lentamente a sua carga quando estiver fora do carregador ou quando estiver num carregador desligado durante muito tempo. Poderá ter de ser recarregada antes de usar.

O CyberPack pode ser usado com uma mochila, consulte o manual da mochila para obter detalhes.

Quando as falhas de excesso de descarga, excesso de carga, excesso de temperatura e baixa temperatura ocorrem durante o carregamento da bateria no carregador ou quando esta está a ser usada na máquina, o utilizador recebe uma mensagem de falha e o carregador ou a máquina para de carregar ou funcionar.

A bateria de iões de lítio pode ser carregada em qualquer altura sem reduzir a sua vida útil. Interromper o procedimento de carga não danifica a bateria.

O nível de carga da bateria pode ser conhecido através da luz indicadora de carga da bateria, premindo o botão de teste de potência. Antes de utilizar ou após a utilização, prima o botão de teste de potência na bateria para verificar a capacidade da bateria.

Observações	Luz LED	Estado da bateria
Five green lights are illuminated.		$80\% \leq$ Nível de carga $\leq 100\%$
Quatro luzes verdes acesas.		$60\% \leq$ Nível de carga $< 80\%$

Três luzes verdes acesas.		$40\% \leq$ Nível de carga $< 60\%$
Duas luzes verdes acesas.		$20\% \leq$ Nível de carga $< 40\%$
Uma luz verde acesa.		$10\% \leq$ Nível de carga $< 20\%$
Uma luz verde está piscando.		$0\% \leq$ Nível de carga $< 10\%$

Pode saber o estado relevante da bateria através do estado da luz indicadora de Bluetooth e da luz indicadora de falha.

Observações	Estado da bateria
A luz indicadora de Bluetooth está acesa.	O Bluetooth está ligado.
A luz indicadora de Bluetooth não está acesa.	O Bluetooth não está ligado.
A luz indicadora de falha está acesa.	Falha na bateria, carregamento e descarga proibidos.
A luz indicadora de falha não está acesa.	Está normal.

Quando a bateria falha, o indicador de falha acende e pode ver a causa e solução da falha específica através da APP.

## COMO CARREGAR A BATERIA

Consulte o manual de instruções fornecido com o carregador.

## ARMAZENAMENTO

Sempre guardar o acumulador a uma temperatura de  $5^{\circ}\text{C}$  a  $25^{\circ}\text{C}$ .

Quando mantida fora do carregador ou deixada desconectada por muito tempo, a bateria ainda mantém um nível de carga elevado.

Um período de funcionamento reduzido após o carregamento, indica que o acumulador está gasto e que deve ser substituído.



## TRANSPORTE

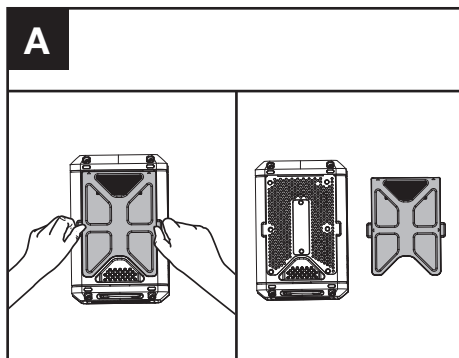
Os acumuladores de íões de lítio, contidos, estão sujeitos ao direito de materiais perigosos. Os acumuladores podem ser transportados na rua pelo utilizador, sem mais obrigações.

Só enviar acumuladores se a carcaça não estiver danificada. Acondicione as baterias de modo a que não possam deslocar-se no interior da estrutura.

## MANUTENÇÃO E SERVIÇO

Limpar de vez em quando as aberturas de ventilação do acumulador com um pincel macio, limpo e seco.

Quando o filtro de poeiras na bateria está bloqueado, tem de ser removido e enxaguado com água. Depois de secar, coloque novamente o filtro de poeiras na bateria. Para proteger a bateria, se o filtro de poeiras estiver danificado, substitua-o atempadamente. (Consulte a Fig. A)



O acumulador não funciona mais; dirija-se a um serviço pós-venda autorizado para ferramentas elétricas Kress.

## ESPECIFICAÇÕES TÉCNICAS



	<b>KAC804</b>
Tensão	60 V $\equiv$ MAX*
Capacidade da bateria	4.0 Ah
Ambiente recomendado Temperatura para a carga	-5-45 °C
Temperatura ótima de armazenamento em uso	5-25 °C
Peso da bateria	3 kg
Nível de proteção	IPX5
Bandas de frequência para Bluetooth	2400-2483.5 MHz

Potência máxima  
transmitida para Bluetooth

8 dBm

\* Tensão medida sem carga. A tensão inicial da bateria atinge o máximo de 60 volts. A tensão nominal é de 54 volts.

## PROTEÇÃO AMBIENTAL

 Os equipamentos eléctricos não devem ser eliminados juntamente com o lixo doméstico.  
 Se existirem instalações adequadas, deve reciclá-los. Consulte as autoridades locais ou o fornecedor para obter aconselhamento sobre reciclagem.

## DECLARAÇÃO DE CONFORMIDADE

Nós,  
Positec Germany GmbH  
Postfach 32 02 16, 50796 Cologne, Germany

Declaramos que o produto,  
Descrição **Módulo de bateria**  
Tipo **KAC804**  
Função **Fornece energia para ferramentas mecânicas, ferramentas de jardim e produtos semelhantes**

Cumpra as seguintes Directivas:  
**2006/66/EC & 2013/56/EU, 2014/53/EU, 2011/65/EU & (EU) 2015/863**

Normas em conformidade com,  
**EN 62133-2,**  
**EN 300328,**  
**EN 301489-1/-17,**  
**EN 50663**

Pessoa autorizada a compilar o ficheiro técnico,  
**Nome Marcel Filz**  
**Endereço Positec Germany GmbH**  
**Postfach 32 02 16, 50796 Cologne, Germany**



2022/12/06  
Allen Ding  
Engenheiro-chefe adjunto, Teste e Certificação  
Positec Technology (China) Co., Ltd  
18, Dongwang Road, Suzhou Industrial  
Park, Jiangsu 215123, P. R. China

# INHOUDSOPGAVE

Inleiding.....	42
Onderdelenlijst.....	43
Productveiligheid.....	44
Bedieningsinstructies.....	46
Hoe laadt u de accu op.....	46
Opslag.....	46
Vervoer.....	46
Onderhoud en service.....	47
Technische gegevens.....	47
Bescherming van het milieu.....	47
<hr/> NL Conformiteitverklaring.....	47

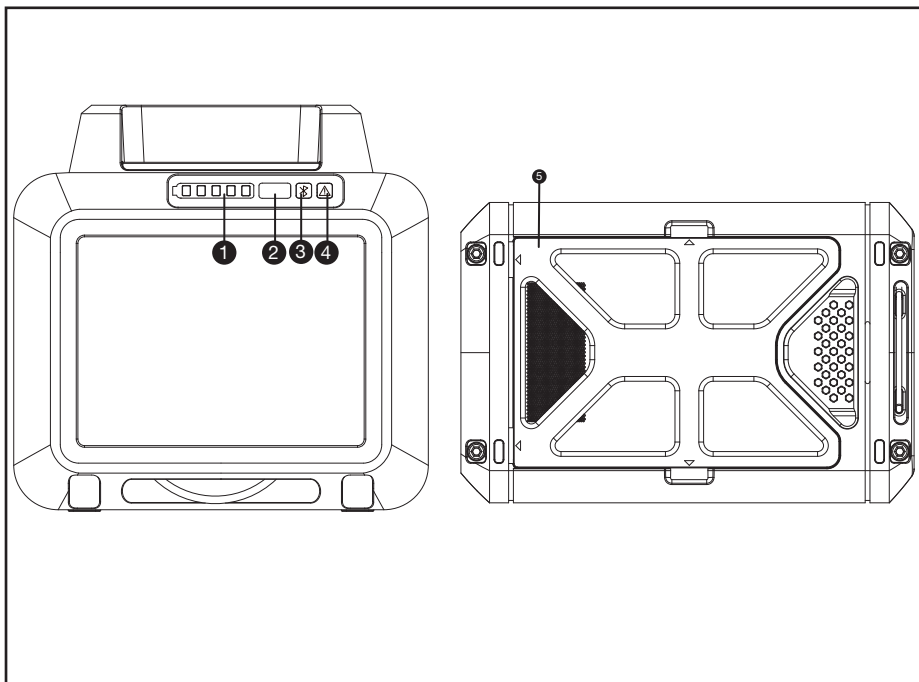
## INLEIDING

Beste klant,

Dank u voor het kopen van dit Kress Commercial-product. Wij zijn toegewijd aan het ontwikkelen van producten van hoge kwaliteit om aan uw commerciële hoveniersvereisten te voldoen.

Het merk Kress staat synoniem voor service van topkwaliteit. Als u tijdens de levensduur van uw product vragen of twijfels hebt over uw product, neem dan contact op met uw distributeur of onze klantendienst voor hulp.

Wij zijn ervan overtuigd dat u nog jarenlang plezier zult beleven aan het werken met uw Kress-product.



## ONDERDELENLIJST

1. BATTERIJ-INDICATIELAMPJES
2. POWER TEST BUTTON
3. BLUETOOTH-INDICATIELAMPJE
4. STORINGSINDICATIELAMPJE
5. STOFFILTER

# PRODUCTVEILIGHEID



**WAARSCHUWING!** Lees alle instructies zorgvuldig door. *Indien u zich niet aan alle onderstaande instructies houdt, kan dat leiden tot een elektrische schok, brand en/of ernstig letsel.*

Lees zorgvuldig de instructies voor een veilig gebruik van het apparaat.

Bewaar alle waarschuwingen en instructies voor latere naslag.

Gebruik het accupack alleen voor draadloze producten van Kress. Raadpleeg het merketiket en de gebruikshandleiding die bij het product geleverd zijn.

## VEILIGHEIDSINSTRUCTIES VOOR HET ACCUPACK

- a) Batterijcellen en accupacks mogen niet gedemonteerd, geopend of vernietigd worden.
- b) Sluit accupacks niet kort. Bewaar accupacks niet willekeurig in een doos of lade waar ze elkaar kunnen kortsluiten of door geleidende voorwerpen kortgesloten kunnen worden. Houd het accupack op een afstand van andere metalen voorwerpen als paperclips, muntstukken, sleutels, nagels, schroeven en andere kleine metalen voorwerpen die de contacten van de accupack kunnen verbinden. Kortgesloten contacten van accupacks kunnen brandwonden of brand veroorzaken.
- c) Stel accupacks niet bloot aan warmte of vuur. Vermijd opslag in direct zonlicht.
- d) Stel accupacks niet bloot aan mechanische schokken.
- e) Als een accu lekt dient men voorzichtig te zijn dat de vloeistof niet in contact komt met de huid of de ogen. Als dat toch gebeurt spoelt men de huid onder stromend water en raadpleegt men een arts.
- f) Houd batterijcellen en accupacks schoon en droog.
- g) Veeg de aansluitingen van het accupack schoon met een droge doek als ze vuil zijn geworden.
- h) Accupacks moeten voor gebruik worden opgeladen. Lees de gebruiksaanwijzing voor de juiste laadinstructies.
- i) Laat accupacks niet langdurig opladen als ze niet worden gebruikt.
- j) Na een lange opslagperiode kan het nodig zijn het accupack enkele keren op te laden en te ontladen voor een optimale prestatie.
- k) Laad alleen op met een lader met de technische gegevens van Kress. Gebruik geen andere lader dan de lader die specifiek voor dat doel met de apparatuur is meegeleverd.
- l) Gebruikt geen accupack dat niet bedoeld is voor gebruik met deze apparatuur.
- m) Houd accupacks buiten het bereik van

kinderen.

- n) Bewaar de oorspronkelijke instructies van het product voor latere gebruik.
- o) Verwijder het batterijpakket uit de apparatuur als het niet in gebruik is.
- p) Volg de juiste procedure voor afvalverwijdering na afdanken van dit apparaat.
- q) Gebruik geen cellen van verschillende fabrikanten, capaciteit, afmetingen of typen binnen een apparaat.
- r) Houd de accu uit de buurt van microgolven en hoge druk.

## EXTRA VEILIGHEIDSWAARSCHUWING VOOR COMMERCIËLE ACCU'S

1. Gebruik de accu alleen voor industriële snoeroze producten van Kress.
2. Gebruik het accupakket alleen met de KAC840 acculader of overige acculaders die in de gebruikershandleiding staan vermeld.
3. Gebruik het accupakket alleen met KAC875E en KAC877E stroomstation of overige stroomstations die in de gebruikershandleiding staan vermeld.
4. Om de beste resultaten te behalen, dient u de volgende omgevingstemperatuur in acht te nemen. Niet opladen, gebruiken of opbergen bij overschrijding van het volgende temperatuurbereik:
  - a) Temperatuurbereik bij opladen: -5°C~45°C
  - b) Temperatuurbereik bij ontladen: -20°C~45°C
  - c) Temperatuurbereik voor opslag: 5°C~25°C
5. Om het risico van elektrische schokken, brand en explosie door kortsluiting te verminderen:
  - a) Als de accu tijdens gebruik wordt blootgesteld aan regen, verwijder deze dan uit het product en laat deze binnenshuis drogen. Zorg ervoor dat deze volledig droog is, voordat u het oplaadt of opnieuw gebruikt.
  - b) Dompel de accu niet onder in water of andere vloeistoffen.
  - c) Overbrug de accupolen niet met draden of andere metalen voorwerpen.
  - d) Houd de accu uit de buurt van kleine geleidende metalen voorwerpen (zoals paperclips, spijkers, munten, sleutels, enz.).
  - e) Bewaar de accu binnenshuis in een droge ruimte.
  - f) Bewaar de accu niet in een vochtige of corrosieve omgeving, of in een omgeving waarin de metalen onderdelen kunnen corroderen.
  - g) Bescherm de accu tegen blootstelling aan corrosieve stoffen zoals tuinchemicaliën en strooizout.
  - h) Bewaar een accu nooit in elektrisch gereedschap.
  - i) Bewaar de accu met een lading tussen 40% en 60% (3 groene lampjes branden).
  - j) Als de accu afzonderlijk per vliegtuig moet

worden verzonden, mag de lading niet hoger dan 30% zijn.

k) Als u de accu in de oplader bewaart, haal dan de stekker van de oplader uit het stopcontact.

l) Probeer de accu niet te repareren, te openen of te demonteren. Er bevinden zich binnenin geen onderdelen die door de gebruiker kunnen worden gerepareerd.

m) Om het risico van persoonlijk letsel door onbedoelde activering te beperken, moet u de accu altijd verwijderen, voordat u het elektrische apparaat in elkaar zet, vervoert, instelt, schoonmaakt, onderhoudt of opbergt.

6. Een accubrand is gevaarlijk. Om het risico van ernstig persoonlijk letsel en materiële schade in geval van brand te beperken:

a) Evacueer het betreffende gebied. Een brand kan zich snel verspreiden. Blijf uit de buurt van eventueel vrijkomend gas en dampen en blijf op veilige afstand.

b) Waarschuw de brandweer.

c) Hoewel water kan worden gebruikt om accubranden te blussen, kunt u het beste een multifunctionele chemische poederblusser gebruiken.

d) Raadpleeg de brandweer voor de juiste verwijdering van verbrande accu's.

7. Lekkende accuvloeistof kan huid- en oogirritatie of chemische brandwonden veroorzaken.

a) Vermijd contact met huid en ogen.

b) Als er vloeistof in de ogen komt: Niet wrijven. Spoel open ogen minstens 15 minuten met water en raadpleeg een arts.

c) In geval van onopzettelijk contact, de getroffen huid onmiddellijk grondig met water en zachte zeep wassen.

d) Gebruik een inert absorptiemiddel zoals zand op gemorste vloeistof.

## GEBRUIKERSHANDLEIDING VOOR VEREISTEN VAN SNOERLOZE PRODUCTEN

a) Het gebruik van dit apparaat is onderhevig aan de volgende twee voorwaarden:

(1) Dit apparaat mag geen schadelijke storing veroorzaken, en

(2) dit apparaat moet alle ontvangen storing aanvaarden, met inbegrip van storing die ongewenste werking kan veroorzaken.

b) Let op: Wijzigingen of aanpassingen aan dit apparaat die niet uitdrukkelijk zijn goedgekeurd door de instantie, die verantwoordelijk is voor de naleving, kunnen het recht van de gebruiker om het apparaat te bedienen tenietdoen.

c) **OPMERKING:** Dit apparaat genereert, gebruikt en kan radiofrequentie-energie uitstralen en kan, indien niet volgens de instructies geïnstalleerd en gebruikt, schadelijke storing aan radiocommunicatie veroorzaken. Er is echter geen garantie, dat er in een bepaalde installatie geen storing zal optreden. Als dit

apparaat schadelijke storing veroorzaakt aan de ontvangst van radio of televisie, hetgeen kan worden vastgesteld door het apparaat aan en uit te zetten, wordt de gebruiker aangeraden, te proberen deze storing te verhelpen door één of meerdere van de volgende maatregelen te nemen:

- Heroriënteer of verplaats de ontvangstantenne.

- Vergroot de afstand tussen de apparatuur en de ontvanger.

- Sluit de apparatuur aan op een stopcontact van een ander circuit dan dat waarop de ontvanger is aangesloten.

- Raadpleeg de leverancier of een ervaren radio/tv-technicus voor hulp.

## SYMBOLLEN

	Milieuvriendelijke verwijdering van Oude elektrische apparaten mogen niet samen met het restafval worden weggegooid, maar moeten apart worden verwijderd. De inlevering bij de gemeentelijke inzamelpunten via particulieren is gratis. De eigenaar van oude apparaten is verantwoordelijk om de apparaten naar deze of soortgelijke inzamelpunten te brengen. Met deze kleine persoonlijke moeite draagt u bij tot het hergebruik van waardevolle grondstoffen en de verwerking van giftige stoffen.
 Li-Ion	Li-Ion-accu Dit product is uitgerust met een symbool dat 'gescheiden inzameling' aanduidt voor alle accu's. Ze worden dan gerecycled of gedemonteerd om de impact op het milieu te verminderen. Accu's kunnen gevaarlijk zijn voor het milieu en de menselijke gezondheid, omdat ze gevaarlijke stoffen bevatten.
	Niet verbranden
	Accu's kunnen in de waterkringloop terecht komen als ze op onjuiste wijze worden weggegooid, wat gevaarlijk kan zijn voor het ecosysteem. Gooi afgedankte accu's niet weg bij het ongesorteerde huishoudelijke afval.

# BEDIENINGSINSTRUCTIES

## Aanbevelingen voor de optimale omgang met de accu

### Opmerking:





1. Uw batterijpakket is gedeeltelijk opgeladen en moet voor het eerste gebruik volledig worden opgeladen. Om de volledige capaciteit van de batterij te garanderen, laadt u de batterij in de lader volledig op voordat u uw batterij voor het eerst in het elektrisch gereedschap gebruikt.
2. Een batterijpakket zal langzaam zijn lading verliezen wanneer het uit de lader wordt bewaard of lange tijd in een niet aangesloten lader zit. Het kan nodig zijn om deze vóór gebruik opnieuw op te laden.



De CyberPack kan worden gebruikt met een rugzak, raadpleeg de handleiding van de rugzak voor nadere informatie.

Bij storingen door overontlading, overbelasting, te hoge temperatuur en te lage temperatuur tijdens het opladen van het batterijpakket op de lader of het gebruik van de machine, krijgt de gebruiker een foutmelding en stopt de lader of de machine met opladen of functioneren.

De Li-Ion batterij kan op elk moment worden opgeladen zonder de levensduur te verkorten. Het onderbreken van de oplaadprocedure beschadigt de batterij niet.

Het batterijniveau kan worden afgelezen aan het batterij-indicatielampje door op de vermogenstestknop te drukken. Druk vóór het starten of na gebruik op de vermogenstestknop op het batterijpakket om de capaciteit van de batterij te controleren.

Opmerkingen	LEDlampje	Batterijtoestand
Vijf groene lampjes branden.		80% ≤ Vermogensniveau ≤ 100%
Vier groene lampjes branden.		60% ≤ Vermogensniveau < 80%
Drie groene lampjes branden.		40% ≤ Vermogensniveau < 60%
Twee groene lampjes branden.		20% ≤ Vermogensniveau < 40%

Eén groen lampje brandt.		10% ≤ Vermogensniveau < 20%
Eén groen lampje knippert.		0% ≤ Vermogensniveau < 10%

U kunt de relevante status van de batterij aflezen aan de status van het Bluetooth-indicatielampje en het storingsindicatielampje.

Opmerkingen	Batterijtoestand
Het Bluetooth-indicatielampje brandt.	Bluetooth is verbonden.
Het Bluetooth-indicatielampje brandt niet.	Bluetooth is niet verbonden.
Het storingsindicatielampje brandt.	Batterijstoring, het opladen en ontladen is verboden.
Het storingsindicatielampje brandt niet.	Dit is normaal.

Als het batterijpakket uitvalt, gaat het storingslampje branden en kunt u via de APP de specifieke storingsoorzaak en oplossing zien.

## HOE LAADT U DE ACCU OP

Raadpleeg de gebruikshandleiding die bij het product of de acculader geleverd wordt.

## OPSLAG

Bewaar de batterij alleen bij een temperatuur tussen 5°C en 25°C.

Wanneer de batterij uit de lader wordt gehouden of lange tijd in een losgekoppelde lader wordt achtergelaten, bereikt de batterij nog steeds een relatief hoog niveau.

Een duidelijk kortere gebruiksduur na het opladen duidt erop dat accu versleten is en moet worden vervangen.

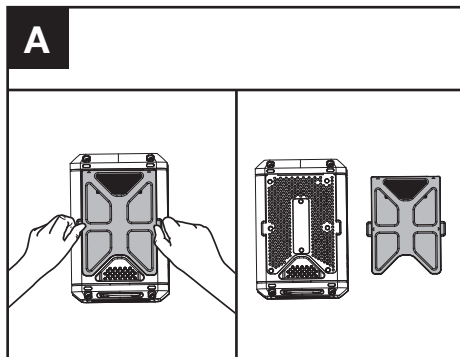
## VERVOER

Op de meegeleverde Lithium-Ion-accu's zijn de eisen voor het vervoer van gevaarlijke stoffen van toepassing. De accu's kunnen door de gebruiker zonder verdere voorwaarden over de weg worden vervoerd.

Verzend accu's alleen als de behuizing onbeschadigd is. Verpak de accu's zodanig, dat ze niet binnen het verpakkingsmateriaal kunnen bewegen.

## ONDERHOUD EN SERVICE

Reinigen de ventilatieopeningen van de accu af en toe met een zachte, schone en droge doek. Als het stoffilter van de batterij verstopt is, moet het worden verwijderd en met water worden afgespoeld. Zet het stoffilter na het afdrogen terug in de batterij. Als het stoffilter beschadigd is, moet het tijdig worden vervangen om de batterij te beschermen. (Zie afb. A)





Neem contact op met een erkende klantenservicewerkplaats voor Kress elektrische gereedschappen als de accu niet meer naar behoren werkt.

## TECHNISCHE GEGEVENS

	<b>KAC804</b>
Spanning	60 V $\equiv$ MAX*
Batterijcapaciteit	4.0 Ah
Aanbevolen omgevingstemperatuur voor het opladen	-5~45 °C
Optimale opslagtemperatuur in gebruik	5~25 °C
Gewicht van batterij	3 kg
Beschermingsgraad	IPX5
Frequentiebanden voor Bluetooth	2400-2483.5 MHz
Maximaal uitgezonden vermogen voor Bluetooth	8 dBm

\* Spanning gemeten zonder belasting. Beginspanning batterij bereikt maximum 60 volt. Nominale spanning is 54 volt.

## BESCHERMING VAN HET MILIEU

 Afgedankte elektrische producten mogen niet bij het normale huisafval terechtkomen.  Breng deze producten waar mogelijk naar een recyclecentrum bij u in de buurt. Vraag de verkoper of de gemeente informatie en advies over het recyclen van elektrische apparatuur.

## CONFORMITEITVERKLARING

Wij,  
Positec Germany GmbH  
Postfach 32 02 16, 50796 Cologne, Germany

Verklaren dat het product,  
Beschrijving **Accupakkett**  
Type **KAC804**  
Functie **Levert energie voor elektrisch gereedschap, tuingereedschap en soortgelijke producten**

Voldoet aan de volgende richtlijnen:  
**2006/66/EC & 2013/56/EU, 2014/53/EU, 2011/65/EU & (EU) 2015/863**

Normen voldoen aan,  
**EN 62133-2,**  
**EN 300328,**  
**EN 301489-1/-17,**  
**EN 50663**

De persoon die bevoegd is om het technische bestand te compileren,  
**Naam Marcel Filz**  
**Adres Positec Germany GmbH**  
**Postfach 32 02 16, 50796 Cologne, Germany**



2022/12/06  
Allen Ding  
Plaatsvervangend Chief Ingenieur, Testen en Certificering  
Positec Technology (China) Co., Ltd  
18, Dongwang Road, Suzhou Industrial Park, Jianguo 215123, P. R. China

# TARTALOMJEGYZÉK

Bevezető.....	48
Az alkatrészek listája.....	49
Termékbiztonság.....	50
Használati utasítások.....	52
Az akku újratöltése.....	52
Tárolás.....	52
Szállítás.....	53
Karbantartás és szerviz.....	53
Műszaki adatok.....	53
Környezetvédelem.....	53
<b>HU</b> Megfelelőségi nyilatkozat.....	53

## BEVEZETŐ

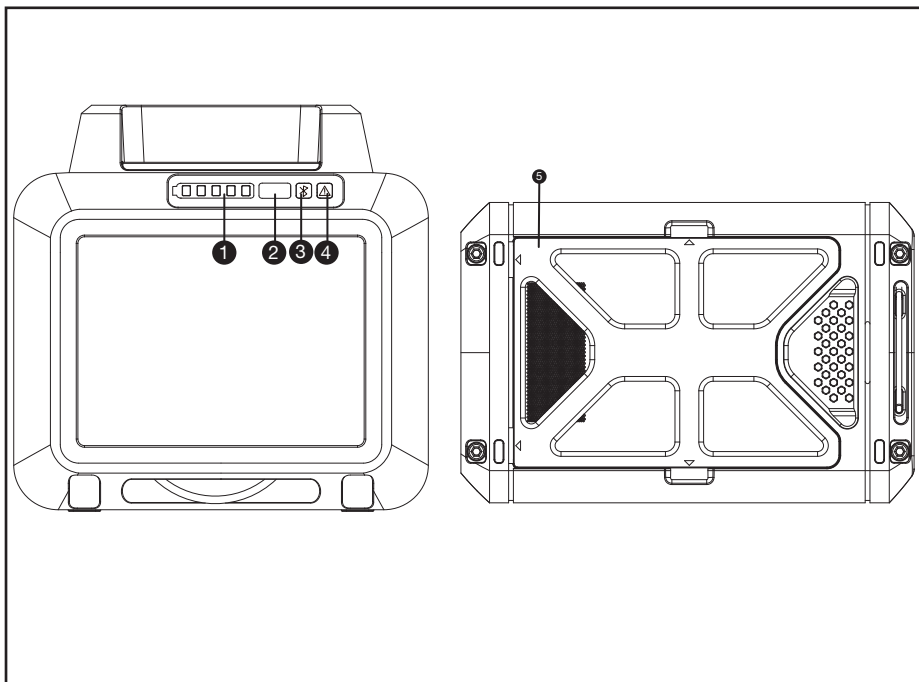
Tisztelt Vásárló!

Köszönjük, hogy megvásárolta ezt a Kress Commercial terméket. Elkötelezettek vagyunk az Ön ipari tájépítészeti igényeinek megfelelő, kiváló minőségű termékek kifejlesztése iránt.

A Kress márka egyet jelent a prémium minőségű szolgáltatással. A termék élettartama során, ha bármilyen kérdése vagy aggálya merülne fel a termékkel kapcsolatban, kérjük, forduljon kereskedőjéhez vagy ügyfélszolgálati csapatunkhoz segítségért.

Biztosak vagyunk benne, hogy hosszú éveken át élvezni fogja Kress termékének használatát.





## AZ ALKATRÉSZEK LISTÁJA

1. AKKUMULÁTOR JELZŐFÉNY
2. TÖLTÉSELLENŐRZÉS GOMB
3. BLUETOOTH JELZŐFÉNY
4. HIBAJELZŐFÉNY
5. PORSZŰRŐ

# TERMÉKBIZTONSÁG



**FIGYELEM:** Olvasson el minden biztonsági figyelmeztetést és valamennyi utasítást. A figyelmeztetések és utasítások figyelmen kívül hatása áramütést, tüzet és/vagy súlyos sérülést eredményezhet. Figyemesen olvassa el a gép biztonságos üzemeltetéséhez szükséges utasításokat. Őrizzon meg minden figyelmeztetést és utasítást, a jövőben szüksége lehet ezekre. Az akkucsomagot kizárólag wireless Kress termékekhez használja. Hivatkozzon a termékhez mellékelt azonosító címkére és a felhasználói kézikönyvre.

## AZ AKKUMULÁTORRAL KAPCSOLATOS BIZTONSÁGI FIGYELMEZTETÉSEK

- a) Az akkumulátort ne szedje szét, ne nyissa fel és ne vágja meg.
- b) Ne zárja rövidre az akkumulátort. Az akkumulátorokat ne tárolja olyan dobozban vagy fiókban, ahol rövidre zárhatják egymást, vagy valamilyen vezető anyag a rövidzárlatukat okozhatja. Az akkumulátorokat használaton kívül tartsa a fémtárgyaktól, például gemkapcsoktól, pénzérméktől, kulcsoktól, szögektől, csavaroktól vagy más kis fémtárgyaktól távol, mert ezek összekapcsolhatják a pólusokat. Az akkumulátor pólusainak rövidzárlata égés- és tűzveszélyes.
- c) **Ne tegye ki hőnek vagy tűznek az akkumulátort. Ne tárolja közvetlen napfényben.**
- d) **Az akkumulátort ne tegye ki ütésnek.**
- e) **Ha az akkumulátor szivárog, vigyázzon, hogy a folyadék ne kerüljön a bőrre vagy szembe. Amennyiben a bőrre vagy szembe kerül, az érintett területet mossa le bő vízzel, és forduljon orvoshoz.**
- f) **Vigyázzon, hogy az akkumulátor tiszta és száraz maradjon.**
- g) **Ha az akkumulátor pólusaira szennyeződés kerül, azt egy tiszta, száraz ruhával törölje le.**
- h) **Az akkumulátort használat előtt fel kell tölteni. A töltést mindig az utasításoknak megfelelően, helyes eljárást használva végezze.**
- i) **Használaton kívül ne hagyja töltőn az akkumulátort.**
- j) **Hosszan tartó tárolást követően a maximális teljesítmény elérése érdekében szükséges lehet, hogy az akkumulátort többször feltöltse és lemerítse.**
- k) **Csak a Kress által javasolt töltővel töltsen fel. Kizárólag a készülékhez való használatra mellékelt töltőt használja.**
- l) **Ne használjon a készülékkel való használatra**

- tervezettől eltérő akkumulátort.
- m) **Az akkumulátor gyermekektől távol tartandó.**
- n) **Őrizzze meg a termékhez mellékelt utasításokat, a későbbiekben szüksége lehet ezekre.**
- o) **Amikor a szerszámot nem használja, vegye ki belőle az akkumulátort.**
- p) **Ártalmatlanításnál megfelelően járjon el.**
- q) **Ne helyezzen be különböző gyártóktól származó, illetve eltérő kapacitású, méretű vagy típusú akkukat a készülékbe.**
- r) **Tartsa távol az akkumulátort mikrohullámoktól és nagy nyomástól.**

## TOVÁBBI BIZTONSÁGI FIGYELMEZTETÉS A FORGALOMBAN KAPHATÓ AKKUMULÁTOROKHOZ

1. Az akkumulátoregységet kizárólag a Kress kereskedelmi forgalomban kapható vezeték nélküli termékeihez használja.
2. Az akkumulátoregységet csak a KAC840 akkumulátortöltővel vagy a kezelési útmutatóban felsorolt további akkumulátortöltőkkel használja.
3. Az akkumulátoregységet csak a KAC875E és KAC877E tápegységgel vagy a kezelési útmutatóban felsorolt további tápegységekkel együtt használhatja.
4. A legjobb teljesítmény elérése érdekében figyeljen az alábbi környezeti hőmérséklet-tartományra, ne töltsen, használja vagy tárolja azokat az alábbi hőmérséklet-tartomány túllépése esetén:
  - a) Töltési hőmérséklet-tartomány:  $-5^{\circ}\text{C}$ – $45^{\circ}\text{C}$
  - b) Kisütési hőmérséklet-tartomány:  $-20^{\circ}\text{C}$ – $45^{\circ}\text{C}$
  - c) Tárolási hőmérséklet-tartomány:  $5^{\circ}\text{C}$ – $25^{\circ}\text{C}$
5. A rövidzárlatok okozta áramütés, tűz és robbanás veszélyének csökkentése érdekében:
  - a) Ha az akkumulátort működés közben eső éri, vegye ki a termékből, és hagyja beltéren megszáradni. Mielőtt feltöltené vagy újra felhasználná, ellenőrizze, hogy teljesen száraz állapotban van-e.
  - b) Ne merítse az akkumulátort vízbe vagy más folyadékba.
  - c) Ne kösse össze az akkumulátor termináljait vezetékekkel vagy más fémtárgyakkal.
  - d) Az akkumulátoregységet távol kell tartani az apró, áramvezető fémtárgyaktól (például gemkapcsoktól, szögektől, érméktől, kulcsoktól stb.).
  - e) Az akkumulátorokat zárt, száraz helyiségben tárolja.
  - f) Ne tárolja az akkumulátort párás vagy korrodáló környezetben, illetve olyan környezetben, amely fém alkatrészeinek korrodálódását okozhatja.
  - g) Az akkumulátorokat óvja az olyan maró hatású anyagoktól, mint a kerti vegyszerek és a jégtelenítő sók.

- h) Soha ne tárolja az akkumulátorokat elektromos szerszámok belsejében.
- i) Az akkumulátor tárolásakor tartsa az akkumulátort 40% és 60% közötti töltöttséggel (3 zöld lámpa világít).
- j) Ha az akkumulátoregységet külön kell repülővel szállítani, a töltöttség nem haladhatja meg a 30%-ot.
- k) Ha az akkumulátort a töltőben tárolja, húzza ki a töltőt a konnektorból.
- l) Ne kísérelje meg az akkumulátor javítását, felnyitását vagy szétszerelését. A belsejében nincsenek a felhasználó által szervizelhető alkatrészek.
- m) A véletlen bekapcsolásból eredő személyi sérülés kockázatának csökkentése érdekében mindig vegye ki az akkumulátort, mielőtt összeszerelné, szállítaná, beállítaná, tisztítaná, karbantartaná vagy tárolná az elektromos szerszámot.
6. Az akkumulátorok kigyulladás veszélyes. Tűz esetén a súlyos személyi sérülés és anyagi kár kockázatának csökkentése érdekében:

- a) Evakuálja a területet. A tűz gyorsan terjedhet. Tartsa távol magát a keletkező gáztól és füsttől, és tartson biztonságos távolságot.
- b) Hívja a tűzoltókat.
- c) Az akkumulátorok okozta tüzek eloltása történhet vízzel, de a legcélszerűbb egy univerzális száraz poroltó tűzoltó készüléket használni.
- d) Az elégett akkumulátorok megfelelő ártalmatlanításával kapcsolatban forduljon a tűzoltósághoz.
7. A szivárgó akkumulátorfolyadék bőr- és szemirritációt vagy kémiai égési sérülést okozhat.
- a) Kerülje a bőrrel és a szemmel való érintkezést.
- b) Ha folyadék a szembe kerül: Ne dörzsölje. A nyitott szemet legalább 15 percig mossuk ki vízzel, és forduljunk orvoshoz.
- c) Véletlen érintkezés esetén azonnal és alaposan mossa le az érintkezési területet enyhén szappanos vízzel.
- d) A kiömlött folyadékokra használjon semleges nedvszívó anyagot, például homokot.





## A VEZETÉK NÉLKÜLI TERMÉKEKRE VONATKOZÓ FELHASZNÁLÓI KÉZIKÖNYV ELŐÍRÁSAI



- a) A készülék működtetése a következő két feltételhez van kötve:
- (1) Ez a készülék nem okozhat káros interferenciát, és
- (2) a készüléknek el kell viselnie minden külső interferenciát, beleértve azt is, amely nem szándékoltt működést okozhat.
- b) Vigyázat! A készülék megfelelőségért felelős fél által kifejezetten nem jóváhagyott

módosításai és változtatásai érvényteleníthetik a felhasználónak a készülék használatára vonatkozó jogát.

- c) **MEGJEGYZÉS:** A berendezés rádiófrekvenciás energiát állít elő, használ és sugároz, ami, ha a készüléket nem az utasításoknak megfelelően használják, zavarhatja a rádiós kommunikációt. Nem garantálható ugyanakkor, hogy egy adott alkalmazás során nem lép fel interferencia. Amennyiben ez a készülék zavaró interferenciát okoz a rádió- vagy televízióműsorok vételében, amit a készülék ki- és bekapcsolásával lehet megállapítani, arra kérjük a készülék használatát, hogy próbálja meg kiküszöbölni az interferenciát a következő megoldások egyikével:
- Változtassa meg a vevőantenna irányát vagy helyzetét.
  - Növelje a távolságot a berendezés és a vevőkészülék között.
  - Csatlakoztassa a készüléket egy olyan konnektorba, amelyik másik áramkörön van, mint amelyekre a vevőkészülék csatlakoztatva van.
  - Forduljon segítségért a márkakereskedőhöz vagy egy tapasztalt rádió-/TV-szerelőhöz.

## SZIMBÓLUMOK

	HU
 	<p>Környezetbarát ártalmatlanítás</p> <p>A régi elektromos készülékeket nem szabad a háztartási hulladékkal együtt kidobni, hanem külön kell ártalmatlanítani. A kommunális gyűjtőhelyen történő ártalmatlanítás magánszemélyek részére ingyenes. A régi készülékek tulajdonosának feladata, hogy a készülékeket elszállítsa az említett vagy hasonló gyűjtőhelyekre. Ezzel a kis személyes erőfeszítéssel hozzájárul az értékes nyersanyagok újrahasznosításához és a mérgező anyagok ártalmatlanításához.</p>
 Li-Ion 	<p>Lítium-ion akkumulátor. A terméken található szimbólum arra utal, hogy minden akkumulátorcsomagot külön kell gyűjteni. Ezeket aztán újrahasznosítják vagy szétszerelik, hogy csökkentsék a környezetre gyakorolt hatását. Az akkumulátorcsomag veszélyes lehet a környezetre és az emberi egészségre nézve, mivel veszélyes anyagokat tartalmaz.</p>

	Ne dobja tűzbe
	Az akkumulátor nem megfelelő leselejtezés esetén bekerülhet a víz körforgásba, ami veszélyes lehet az ökoszisztémára nézve. A hulladék akkumulátort ne dobja a kommunális hulladékba.

## HASZNÁLATI UTASÍTÁSOK

### Tájékoztató az akkumulátor optimális kezeléséhez

#### Megjegyzés:

1. Az akkumulátorcsomag részben feltöltve érkezik, de az első használat előtt teljesen fel kell tölteni. Az akkumulátor teljes kapacitásának biztosítása érdekében teljesen töltsse fel az akkumulátort a töltőben, mielőtt azt az elektromos berendezésben először használná.
2. Az akkumulátor lassan veszít a töltéséből, ha nem csatlakozik a töltőhöz, vagy kihúzott töltőhöz csatlakozik. Használat előtt feltöltésre lehet szükség.



HU





A CyberPack használható hátizsákkal, a részletekért lásd a hátizsák kézikönyvét.

Ha mélykisülés, túltöltés, túlmelegedés vagy túlzott lehűlés történik, amikor az akkumulátort a töltővel feltölti vagy a gépben használja, a felhasználó hibajelzést kap, és a töltő nem tölt, vagy a gép nem működik tovább.

A Li-ion-akkumulátor bármikor tölthető anélkül, hogy ez az élettartamát csökkentené. A töltési folyamat megszakítása nem károsítja az akkumulátort.

Az akkumulátor töltöttségi szintjét az akkumulátor jelzőfényvel lehet megtudni, a töltésellenőrzés gomb megnyomása után. Használat előtt vagy után nyomja meg az akkumulátoron a töltésellenőrzés gombot, hogy ellenőrizze az akkumulátor töltöttségét.

Megjegyzések	LED világítás	Az akkumulátor állapota
5 db zöld lámpa világít.		$80\% \leq \text{energiaszint} \leq 100\%$
4 db zöld lámpa világít.		$60\% \leq \text{energiaszint} < 80\%$

3 db zöld lámpa világít.		$40\% \leq \text{energiaszint} < 60\%$
2 db zöld lámpa világít.		$20\% \leq \text{energiaszint} < 40\%$
1 db zöld lámpa világít.		$10\% \leq \text{energiaszint} < 20\%$
1 db zöld lámpa villog.		$0\% \leq \text{energiaszint} < 10\%$

Az akkumulátor állapotáról a Bluetooth jelzőfény és a hibajelzőfény állapota alapján is tájékozódhat.

Megjegyzések	Az akkumulátor állapota
A Bluetooth jelzőfény világít.	A Bluetooth csatlakozik.
A Bluetooth jelzőfény nem világít.	A Bluetooth nem csatlakozik.
A hibajelzőfény világít.	Akkumulátorhiba, nem lehet tölteni és méríteni.
A hibajelzőfény nem világít.	Normál üzem.

Az akkumulátor üzemzavara esetén világít a hibajelzőfény, és az alkalmazásban tájékozódhat a hiba okáról.

## AZ AKKU ÚJRATÖLTÉSE

Hivatkozzon vagy a töltőhöz mellélt felhasználói kézikönyvre.

## TÁROLÁS

Az akkumulátort csak a  $5^{\circ}\text{C} \dots 25^{\circ}\text{C}$  hőmérséklet tartományban szabad tárolni.

Ha az akkumulátort hosszabb ideig a töltőn kívül vagy olyan töltőben tárolja, amely nincs csatlakoztatva, az elem továbbra is viszonylag magas töltöttségi szinten marad.

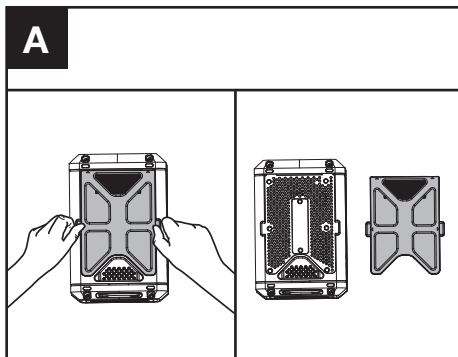
Ha az akkumulátor feltöltése után a készülék már csak lényegesen rövidebb ideig üzemeltethető, akkor az akkumulátor elhasználódott és ki kell cserélni.

# SZÁLLÍTÁS

A termékben található lítium-ion-akkumulátorokra a veszélyes árukra vonatkozó előírások érvényesek. A felhasználók az akkumulátorokat a közúti szállításban minden további nélkül szállíthatják. Csak akkor küldje el az akkumulátort, ha a háza nincs megrongálódva. Az akkukat szorosan, csúszkálásmentesen kell becsomagolni.

# KARBANTARTÁS ÉS SZERVIZ

Időnként tisztítsa meg az akkumulátor szellőzőrését egy puha, tiszta és száraz ecsettel. Ha eltömődött az akkumulátor porszűrője, távolítsa el, és öblítse ki vízzel. Miután megszáradt, helyezze vissza a szűrőt az akkumulátorra. Az akkumulátor megóvása érdekében cserélje ki időben a porszűrőt, ha sérült. (Lásd az A. ábrát.)



Ha az akkumulátor már nem működik, forduljon egy Kress elektromos kéziszerszám Vevőszolgálathoz.

# MŰSZAKI ADATOK

	<b>KAC804</b>
Feszültség	60 V  MAX*
Akkumulátor kapacitás	4.0 Ah
A töltésre ajánlott környezeti hőmérséklet	-5~45 °C
Optimális tárolási hőmérséklet a használat során	5~25 °C
Az akkumulátor súlya	3 kg
Védelmi fokozat	IPX5
A Bluetooth frekvenciasávjai	2400-2483.5 MHz
A Bluetooth maximális átvitt teljesítménye	8 dBm

\* Terhelés nélküli feszültség. Az akkumulátor

kezdő feszültsége maximum 60 volt. A névleges feszültség 54 volt.

# KÖRNYEZETVÉDELEM

A leselejtezett elektromos készülékek nem dobhatók ki a háztartási hulladékkal. Ha van a közelben elektromos hulladék gyűjtő udvar, vigye oda a készüléket. Az újrahasznosítási lehetőségekről tájékozódjon a helyi hatóságoknál vagy a kereskedőnél.

# MEGFELELŐSÉGI NYILATKOZAT

A gyártó,  
Positec Germany GmbH  
Postfach 32 02 16, 50796 Cologne, Germany

Kijelenti, hogy a termék,  
Leírás **Akkumulátoregység**  
Típus **KAC804**  
Rendeltetés **Energiaellátás elektromos szerszámokhoz, kerti szerszámokhoz és hasonló termékekhez**

Megfelel a következő irányelveknek:  
**2006/66/EC & 2013/56/EU, 2014/53/EU, 2011/65/EU & (EU) 2015/863**

Az alábbi normáknak,  
**EN 62133-2,**  
**EN 300328,**  
**EN 301489-1/-17,**  
**EN 50663**

A műszaki dokumentáció összeállítására jogosult személy,

**Név Marcel Filz**  
**Cím Positec Germany GmbH**  
**Postfach 32 02 16, 50796 Cologne, Germany**



2022/12/06  
Allen Ding  
Helyettes főmérnöke, Tesztelés és minősítés  
Positec Technology (China) Co., Ltd  
18, Dongwang Road, Suzhou Industrial Park, Jiangsu 215123, P. R. China

HU

# CUPRINS

Introducere.....	54
Listă de componente.....	55
Securitatea produsului.....	56
Instrucțiuni de utilizare.....	58
Încărcarea Acumulatorului.....	58
Depozitare.....	58
Transport.....	58
Întreținere și service.....	59
Date tehnice.....	59
Protecția mediului.....	59
RO Declarație de conformitate.....	59

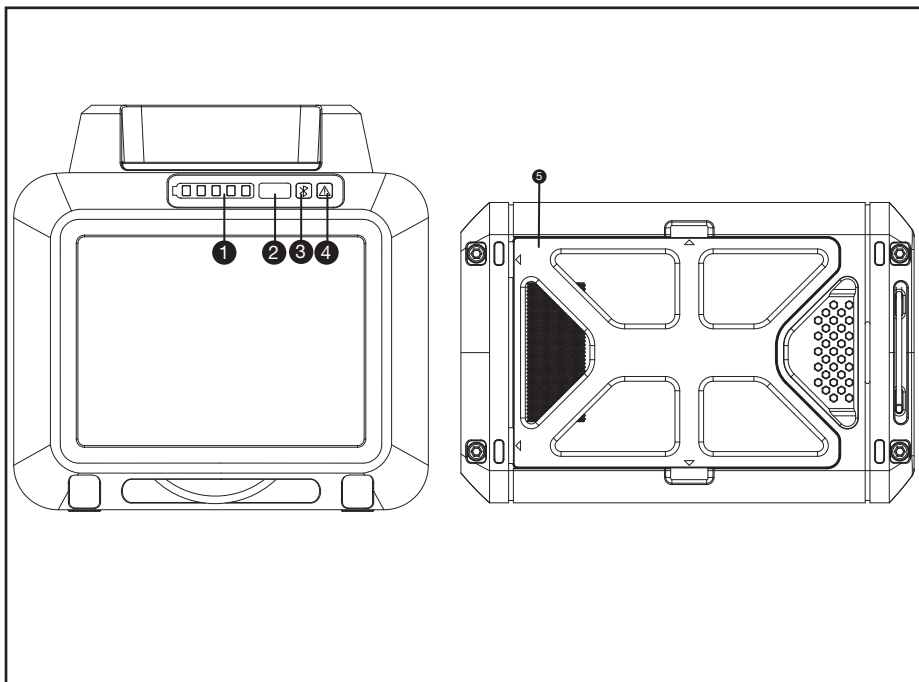
## INTRODUCERE

Stimate Client,

Vă mulțumim pentru achiziționarea acestui produs comercial Kress. Suntem dedicați dezvoltării de produse de înaltă calitate pentru a satisface cerințele dvs. cu privire la amenajarea spațiului comercial.

Marca Kress este sinonimă cu serviciile de calitate premium. Pe durata anilor de funcționare a produselor dvs., dacă aveți întrebări sau nelămuriri cu privire la produsul dvs., vă rugăm să contactați distribuitorul sau echipa noastră de asistență pentru clienți.

Suntem încrezători că vă veți bucura de folosirea produsului Kress pentru mulți ani de acum înainte.



## LISTĂ DE COMPONENTE

1. BUTON INDICATOR BATERIE
2. BUTON DE PORNIRE
3. INDICATOR LUMINOS BLUETOOTH
4. INDICATOR LUMINOS DEFECTIUNE
5. FILTRU DE PRAF

# SECURITATEA PRODUSULUI



**AVERTISMENT:** Citiți toate avertismentele de siguranță și toate instrucțiunile. Dacă nu respectați toate avertismentele și instrucțiunile de mai jos, există riscul electrocutării, incendiului și/sau al accidentării grave.

Citiți cu atenție instrucțiunile pentru utilizarea în siguranță a echipamentului.

Păstrați toate avertismentele și instrucțiunile pentru consultări ulterioare.

Utilizați pachetul de acumuloare numai pentru produsele Kress fără fir. Consultați eticheta produsului și manualul de utilizare furnizat împreună cu produsul.

## AVERTISMENTE DE SIGURANȚĂ PENTRU ACUMULATOR

- a) Nu demontați, deschideți sau rupeți celulele sau acumulatorul.
- b) Nu scurtcircuitați un acumulator. Nu depozitați acumuloarele la întâmplare într-o cutie sau într-un sertar unde s-ar putea scurtcircuita între ele sau prin materiale conductoare. Când acumulatorul nu este utilizat, țineți-l la distanță de alte obiecte metalice, precum agrafele de birou, monede, chei, cuie, șuruburi sau alte obiecte metalice mici, care pot crea contact între cele două borne. Scurtcircuitarea bornelor acumulatorului poate cauza arsuri sau incendii.
- c) Nu expuneți acumulatorul la căldură sau foc. Evitați depozitarea în lumina directă a soarelui.
- d) Nu supuneți acumulatorul la șocuri mecanice.
- e) În cazul scurgerii acumulatorului, aveți grijă ca lichidul să nu intre în contact cu pielea sau ochii. În cazul contactului, spălați zona afectată cu apă din belșug și solicitați asistență medicală.
- f) Mențineți acumulatorul curat și uscat.
- g) Ștergeți bornele acumulatorului cu o cârpă curată și uscată dacă se murdăresc.
- h) Acumulatorul trebuie încărcat înainte de utilizare. Consultați întotdeauna aceste instrucțiuni și utilizați procedura de încărcare corectă.
- i) Nu lăsați acumulatorul la încărcat dacă nu îl utilizați.
- j) După perioade extinse de depozitare, poate fi necesară încărcarea și descărcarea acumulatorului de mai multe ori pentru a obține performanțe maxime.
- k) Reîncărcați folosind doar încărcătorul specificat de Kress. Nu utilizați niciun alt încărcător în afară de cel conceput specific

- l) pentru utilizarea cu acest echipament.
- l) Nu utilizați acumuloare care nu sunt concepute pentru utilizarea cu acest echipament.
- m) Nu lăsați acumulatorul la îndemâna copiilor.
- n) Păstrați documentația originală a produsului pentru consultări ulterioare.
- o) Scoateți acumulatorul din echipament dacă nu îl utilizați.
- p) Depuneți acumulatorul la deșeuri în mod corespunzător.
- q) Nu introduceți în aparat acumuloare care provin de la producători diferiți sau cu capacități, dimensiuni sau tipuri diferite.
- r) Țineți acumulatorul departe de microunde și presiune ridicată.

## AVERTIZĂRI SUPLIMENTARE DE SECURITATE PENTRU ACUMULATOR COMERCIAL

1. Folosiți acumulatorul numai pentru produse comerciale Kress fără fir.
2. Folosiți acumulatorul numai cu încărcătorul KAC840 sau cu încărcătoarele suplimentare menționate în manualul de utilizare.
3. Folosiți acumulatorul numai cu stația de alimentare KAC875E și KAC877E sau cu stația suplimentară menționată în manualul de utilizare.
4. Pentru a obține cele mai bune rezultate, acordați atenție intervalului de temperatură de mai jos, nu încărcăți, nu utilizați și nu depozitați acolo unde este depășit următorul interval de temperatură:
  - a) Interval de temperatură pentru încărcare: -5°C~45°C
  - b) Interval de temperatură pentru utilizare: -20°C~45°C
  - c) Interval de temperatură pentru depozitare: 5°C~25°C
5. Pentru a reduce riscul de electrocutare, incendiu sau explozie din cauza scurt-circuitelor:
  - a) Dacă bateria este expusă la ploaie în timpul utilizării, vă rugăm să o îndepărtați din produs și să o lăsați la uscat în interior. Asigurați-vă că este complet uscată înainte de a o încărca sau reutiliza.
  - b) Nu scufundați bateria în apă sau alte lichide.
  - c) Nu conectați polii bateriei cu conductori sau alte obiecte metalice.
  - d) Acumulatorul trebuie ferit de obiecte metalice conductoare, mici (cum ar fi agrafe, cuie, monede, chei, etc.).
  - e) Depozitați bateriile în interior, într-o încăpere uscată.
  - f) Nu depozitați bateria în medii umede sau corozive sau într-un mediu care poate cauza corozivitatea componentelor ei metalice.



g) Protejați bateriile de substanțe corozive, cum ar fi substanțele chimice pentru grădinarit sau sare împotriva gheții.

h) Nu depozitați niciodată bateriile în sculele electrice.

i) Atunci când depozitați bateria, păstrați-o cu un grad de încărcare între 40% și 60% (3 indicatoare verzi aprinse).

j) Dacă acumulatorul trebuie expediat par avion separat, sarcina nu trebuie să depășească 30%.

k) Dacă depozitați bateria în încărcător, deconectați încărcătorul de la priză.

l) Nu încercați să reparați, să deschideți sau să demontați bateria. Nu există componente reparabile de utilizator în interior.

m) Pentru a reduce riscul de rănire din cauza activării accidentale, scoateți întotdeauna bateria înainte de a monta, transporta, regla, curăța, repara sau depozita scula electrică.

6. Un foc la baterii este periculos. Pentru a reduce riscul de accidente personale grave și daune materiale, în caz de incendiu:

a) Evacuați zona. Incendiile se pot întinde rapid. Stați la distanță de gazele și fumul produs și rămâneți la o distanță de siguranță.

b) Contactați brigada de pompieri.

c) Deși puteți folosi apă pentru a stinge focul de la baterii, cel mai bine folosiți un extingtor multifuncțional cu pulbere uscată.

d) Vă rugăm să vă consultați cu brigada de pompieri pentru eliminarea adecvată a bateriilor arse.

7. Lichidul scurs din baterii poate cauza iritația pielii și a ochilor sau arsuri chimice.

a) Evitați contactul cu pielea și ochii.

b) Dacă lichidul pătrunde în ochi: nu frecați.

Spălați ochii deschiși cu apă timp de minim 15 minute și consultați medicul.

c) În caz de contact accidental, spălați zona de contact imediat și bine cu apă și săpun delicat.

d) Folosiți un absorbant inert, cum ar fi nisipul, pentru a colecta lichidul scurs.

## CERINȚELE MANUALULUI DE UTILIZARE PENTRU PRODUSE CU ACUMULATOR

a) Utilizarea acestui dispozitiv este supusă următoarelor două condiții:

(1) Acest dispozitiv nu poate cauza interferențe dăunătoare, și

(2) acest dispozitiv trebuie să accepte orice interferențe primite, inclusiv interferențe care pot provoca o funcționare nedorită.

b) Atenție: Schimbările sau modificările aduse acestei unități, care nu sunt aprobate explicit de partea responsabilă de conformitatea, pot anula dreptul utilizatorului de a utiliza echipamentul.

c) NOTĂ: Acest echipament generează, utilizează și poate radia energie de frecvență radio și, dacă

nu este instalat și folosit conform instrucțiunilor, poate produce interferențe periculoase pentru comunicațiile radio. Totuși, nu există nicio garanție că nu vor apărea interferențe în anumite instalații. Dacă acest echipament nu produce interferențe periculoase pentru recepția radio-TV, care se pot identifica prin pornirea și oprirea echipamentului, utilizatorul este încurajat să încerce să corecteze interferențele printr-una sau mai multe măsuri de mai jos:





- Reorientați sau reamplasați antena de recepție.

- Creșteți distanța dintre echipament și receptor.

- Conectați echipamentul la o priză de pe alt circuit față de cel la care este conectat receptorul.

- Consultați reprezentanța sau un specialist radio/TV experimentat pentru ajutor.

## SIMBOLURI

	<p>Reciclarea ecologică Aparatele electrice vechi nu trebuie aruncate împreună cu gunoii menajer, ci trebuie reciclate separat. Reciclarea la puncte de colectare municipale, prin intermediul persoanelor private, este gratuită. Proprietarul aparatelor vechi este responsabil de aducerea acestora la aceste puncte de colectare sau la puncte de colectare similare. Cu puțin efort personal, contribuiți la reciclarea unor materii prime valoroase și la tratarea substanțelor toxice.</p>
 <p>Li-Ion</p>	<p>Baterie Li-Ion. Acest produs a fost marcat cu simbolul referitor la 'colectarea separată' a tuturor blocurilor de baterii și a carcasei de baterie. Acestea vor fi apoi reciclate sau demontate pentru a se reduce impactul asupra mediului. Blocurile de baterii pot fi periculoase pentru mediu și sănătatea umană pentru că ele conțin substanțe periculoase.</p>
	<p>Nu ardeți</p>
	<p>Bateriile pot intra în circuitul apei, dacă sunt lichidate incorect, fapt ce poate fi periculos pentru ecosistem. Nu lichidați deșeurile de baterii la fel ca deșeurii comunale nesortate.</p>

# INSTRUCȚIUNI DE UTILIZARE

## Indicații privind manevrarea optimă a acumulatorului

### Indicație:





1. Acumulatorul dvs. este încărcat parțial și trebuie încărcat complet înainte de prima utilizare. Pentru a asigura capacitatea totală a bateriei, încărcați complet bateria în încărcător înainte de a o utiliza în unealta electrică pentru prima dată.
2. Un acumulator își va pierde încet încărcarea atunci când este ținut departe de încărcător sau lăsat într-un încărcător deconectat pentru o perioadă lungă de timp. Acumulatorul trebuie încărcat înainte de utilizare.



CyberPack poate fi folosit cu un rucsac, vă rugăm să consultați manualul rucsacului pentru detalii.

Atunci când apar defecțiuni la supradescărcare, supraîncărcare, temperatură foarte ridicată și temperatură scăzută în timp ce acumulatorul se încarcă în încărcător sau este utilizat pe aparat, utilizatorul va primi un mesaj de eroare, iar încărcătorul sau aparatul va înceta încărcarea sau funcționarea.

Bateria Li-Ion poate fi încărcată oricând fără a-și reduce durata de viață. Întreruperea procedurii de încărcare nu defectează bateria.

Nivelul bateriei poate fi aflat prin indicatorul luminos al bateriei, apăsând butonul de pornire. Înainte de a începe sau după utilizare, apăsați butonul de pornire de pe acumulator pentru a verifica capacitatea bateriei.

Remarci	Lumină LED	Stare acumulator
Cinci lumini verzi sunt aprinse.		$80\% \leq \text{Nivel putere} \leq 100\%$
Patru lumini verzi sunt aprinse.		$60\% \leq \text{Nivel putere} < 80\%$
Trei lumini verzi sunt aprinse.		$40\% \leq \text{Nivel putere} < 60\%$
Două lumini verzi sunt aprinse.		$20\% \leq \text{Nivel putere} < 40\%$

O lumină verde este aprinsă.		$10\% \leq \text{Nivel putere} < 20\%$
O lumină verde clipește.		$0\% \leq \text{Nivel putere} < 10\%$

Puteți afla statusul relevant al bateriei prin starea indicatorului luminos Bluetooth și a indicatorului luminos de defecțiune.

Remarci	Stare acumulator
Indicatorul luminos Bluetooth este aprins.	Bluetooth este conectat.
Indicatorul luminos Bluetooth nu este aprins.	Bluetooth nu este conectat.
Indicatorul luminos de defecțiune este aprins.	Defecțiune baterie, interziceți încărcarea și descărcarea.
Indicatorul luminos de defecțiune nu este aprins.	Este normal.

Când acumulatorul se defectează, indicatorul de defecțiune se va aprinde și puteți vedea cauza defecțiunii și soluția specifică prin intermediul aplicației.

## ÎNCĂRCAREA ACUMULATORULUI

Consultați manualul de utilizare al încărcătorului.

## DEPOZITARE

Depozitați acumulatorul numai în domeniul de temperatură de la 5°C la 25°C.

Când este ținut departe de încărcător sau lăsat într-un încărcător deconectat pentru o lungă perioadă de timp, acumulatorul încă atinge un nivel relativ ridicat.

Un timp de funcționare considerabil diminuat după încărcarea indică faptul că acumulatorul s-a uzat și trebuie înlocuit.

## TRANSPORT

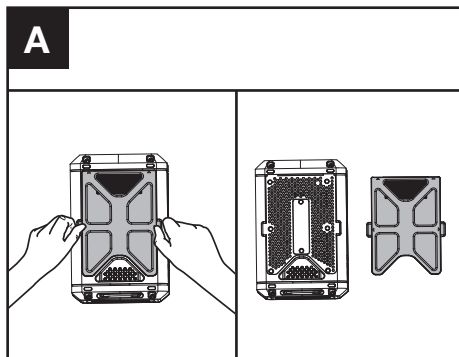
Acumulatorii Li-Ion integrați respectă cerințele legislației privind transportul mărfurilor periculoase. Acumulatorii pot fi transportați rutier fără restricții de către utilizator.

Expediați acumulatorii numai în cazul în care carcasa acestora este intactă. Împachetați strâns acumulatorii, împiedicând alunecarea lor în interiorul ambalajului.

# ÎNTREȚINERE ȘI SERVICE

Ocazional curățați fanțele de ventilație ale acumulatorului cu o pensulă moale, curată și uscată.

Când filtrul de praf de pe baterie este blocat, acesta trebuie scos și clătit cu apă. După uscare, puneți filtrul de praf înapoi în baterie. Dacă filtrul de praf este deteriorat, vă rugăm să îl înlocuiți la timp, pentru a proteja bateria. (A se vedea fig. A)



Dacă acumulatorul nu mai funcționează vă rugăm să vă adresați unui centru autorizat de asistență service postvânzării pentru scule electrice Kress.

## DATE TEHNICE

	KAC804
Tensiune	60 V  MAX*
Capacitate baterie	4.0 Ah
Mediu ambiant recomandat Temperatură pentru încărcare	-5~45 °C
Temperatura optimă de depozitare pe perioada utilizării	5~25 °C
Greutate baterie	3 kg
Grad de protecție	IPX5
Benzi de frecvență pentru bluetooth	2400-2483.5 MHz
Putere transmisă, maximă pentru bluetooth	8 dBm

\* Tensiune măsurată în gol. Tensiunea inițială a bateriei atinge maximum 60 volți. Tensiunea nominală este de 54 volți.

## ROTECȚIA MEDIULUI

Produsele electrice nu trebuie depuse la deșeurile împreună cu gunoierul menajer. Vă rugăm să depuneți produsele electrice la unitățile de reciclare existente. Consultați-vă cu

autoritățile locale sau cu distribuitorul pentru sfaturi privind reciclarea.

## DECLARAȚIE DE CONFORMITATE

Noi,  
Positec Germany GmbH  
Postfach 32 02 16, 50796 Cologne, Germany

Declarăm că produsul,  
Descriere **Acumulator**  
Tip **KAC804**  
Funcție **Asigurați energia pentru scule electrice, scule pentru grădină și produse similare**

Este conform cu următoarele Directive:  
**2006/66/EC & 2013/56/EU, 2014/53/EU, 2011/65/EU & (EU) 2015/863**

Se conformează standardelor,  
**EN 62133-2,**  
**EN 300328,**  
**EN 301489-1/-17,**  
**EN 50663**

Persoana autorizată să compileze fișierul tehnic,  
**Denumire Marcel Filz**  
**Adresă Positec Germany GmbH**  
**Postfach 32 02 16, 50796 Cologne, Germany**

RO



2022/12/06  
Allen Ding  
Adjunct Inginer Șef, Testare și certificare  
Positec Technology (China) Co., Ltd  
18, Dongwang Road, Suzhou Industrial  
Park, Jiangsu 215123, P. R. China

# SPIS TREŚCI

Wprowadzenie.....	60
Listakomponentów.....	61
Bezpieczeństwo produktu.....	62
Instrukcje obsługi.....	64
Sposób wymiany akumulatora.....	65
Sk adowanie.....	65
Transport.....	65
Konserwacja i serwis.....	65
Dane techniczne.....	65
Ochrona środowiska.....	65
PL Deklaracja zgodności.....	66

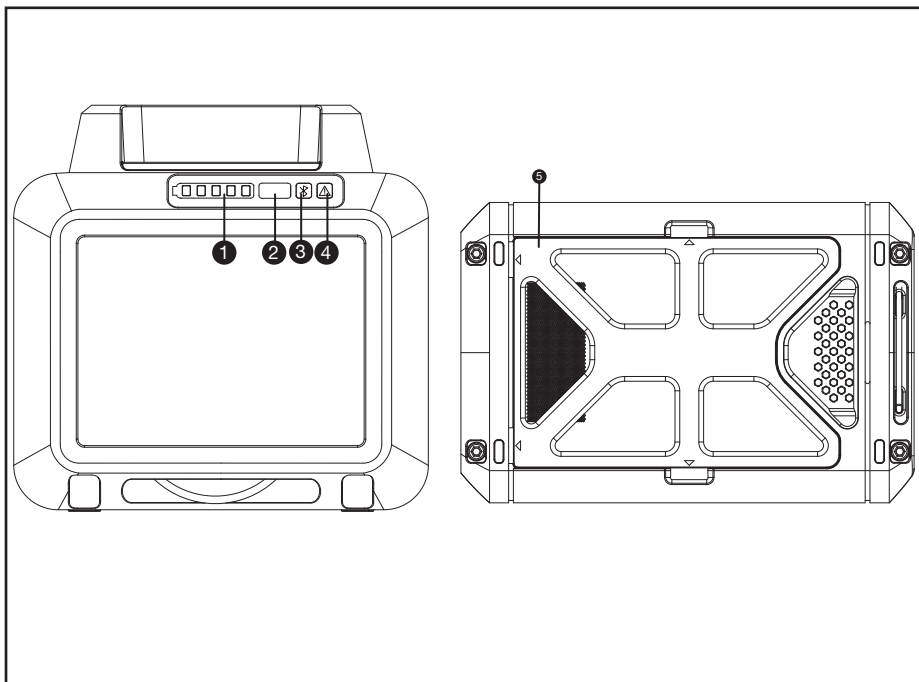
## WPROWADZENIE

Drogi kliencie,

Dziękujemy za zakup produktu Kress Commercial. Jesteśmy zaangażowani w rozwój wysokiej jakości produktów, aby spełnić Państwa wymagania dotyczące komercyjnej architektury krajobrazu.

Marka Kress jest synonimem najwyższej jakości usług. Przez lata eksploatacji produktu, w razie jakichkolwiek pytań lub wątpliwości jego dotyczących, prosimy o kontakt ze sprzedawcą lub naszym Działem Obsługi Klienta w celu uzyskania pomocy.

Jesteśmy przekonani, że będą Państwo cieszyć się pracą z produktem Kress przez wiele lat.



## LISTA KOMPONENTÓW

1. LAMPKA WSKAŹNIKA AKUMULATORA
2. PRZYCISK TESTU ZASILANIA
3. LAMPKA WSKAŹNIKA BLUETOOTH
4. LAMPKA WSKAŹNIKA USTERKI
5. FILTR PRZECIWPYŁOWY

# BEZPIECZEŃSTWO PRODUKTU



**UWAGA:** Należy przeczytać wszystkie przepisy. Błędy w przestrzeganiu następujących przepisów mogą spowodować porażenie prądem, pożar i/ lub ciężkie obrażenia ciała.

Uważnie przeczytaj instrukcje w celu zapewnienia bezpiecznej pracy maszyny. Należy dobrze przechowywać te przepisy. Akumulatora należy używać wyłącznie w bezprzewodowych urządzeniach marki Kress. Zapoznaj się z tabliczką fabryczną oraz instrukcją obsługi dostarczonych z produktem.

## INSTRUKCJA BEZPIECZEŃSTWA DOTYCZĄCA MODUŁU AKUMULATORA

- a) Nie demontuj, nie otwieraj lub nie niszczy ogniw pomocniczych lub modułu akumulatora.
- b) Nie zwieraj ogniw lub modułu akumulatora. Nie przechowuj ogniw lub modułu akumulatora w sposób bezładny w pudle lub szufladzie, gdzie mogą się wzajemnie zewrzeć lub ulec zwarceniu przez inne metalowe przedmioty. Nie używany akumulator należy trzymać z daleka od spinaczy, monet, kluczy, gwoździ, śrub lub innych małych przedmiotów metalowych, które mogłyby spowodować zmostkowanie kontaktów. Zwarcie pomiędzy kontaktami akumulatora może spowodować oparzenia lub pożar.
- c) Nie narażaj ogniw lub modułu akumulatora na działanie ciepła lub ognia. Unikaj składowania w miejscach pod bezpośrednim działaniem światła słonecznego.
- d) Nie narażaj ogniw lub modułu akumulatora na uderzenia mechaniczne.
- e) W razie wycieku z ogniw, nie dopuść, aby płyn zetknął się ze skórą lub dostał się do oczu. Jeśli już nastąpił kontakt z płynem, przemyj skażoną powierzchnię dużą ilością wody i zwróć się o pomoc medyczną.
- f) Utrzymuj ogniw i moduł akumulatora w czystości i w stanie suchym.
- g) Jeśli zaciski ogniw lub akumulatora zostały zanieczyszczone, oczyść je czystą i suchą szmatką.
- h) Ogniw pomocnicze i moduł akumulatora należy przed użyciem naładować. Zawsze używaj właściwej ładowarki i przestrzegaj instrukcji ładowania zawartej w instrukcji obsługi dostarczonej przez producenta urządzenia.
- i) Nie pozostawiaj modułu akumulatora na długie ładowanie, jeśli go nie używasz.

- j) Po dłuższym okresie składowania może być niezbędne kilkukrotne naładowanie i rozładowanie ogniw lub modułu akumulatora, aby uzyskać optymalną wydajność.
- k) Akumulator należy ładować tylko w ładowarkach, które polecił producent.
- l) Nie używaj ogniw lub modułu akumulatora nie przeznaczonego do pracy z danym urządzeniem.
- m) Trzymaj ogniw i moduł akumulatora poza zasięgiem dzieci.
- n) Zachowaj oryginalne instrukcje produktu do wglądu.
- o) Kiedy to możliwe, wyjmuj moduł akumulatora, jeśli urządzenia się nie używa.
- p) Zużyte ogniw i akumulatory utylizuj zgodnie z zasadami gospodarki odpadami.
- q) Nie używaj w urządzeniu ogniw różnych producentów, pojemności i wymiarów.
- r) Akumulatora nie należy zbliżać do źródeł promieniowania mikrofalowego ani narażać na wysokie ciśnienie.

## DODATKOWE OSTRZEŻENIA DOTYCZĄCE KOMERCYJNEGO PAKIETU BATERII

1. Pakietu baterii używaj tylko do bezprzewodowych produktów komercyjnych firmy Kress.
2. Pakietu baterii używaj tylko z ładowarką KAC840 lub dodatkowymi ładowarkami baterii wymienionymi w instrukcji obsługi.
3. Pakietu baterii używaj tylko ze stacją ładowania KAC875E i KAC877E lub dodatkowymi ładowarkami baterii wymienionymi w instrukcji obsługi.
4. Aby osiągnąć najlepsze parametry, zwracaj uwagę na następujący zakres temperatur otoczenia, nie ładuj, nie używa, ani nie składuj w razie przekraczania tego zakresu:
  - a) Zakres temperatur ładowania: -5°C~45°C
  - b) Zakres temperatur ładowania: -20°C~45°C
  - c) Zakres temperatur składowania: 5°C~25°C
5. Aby zmniejszyć ryzyko porażenia elektrycznego, pożaru i eksplozji z powodu zwarcia:
  - a) Jeżeli bateria jest narażony na deszcz podczas pracy, zabierz go stamtąd i umieść w suchym pomieszczeniu. Upewnij się, czy jest całkowicie suchy przed ładowaniem lub ponownym użyciem.
  - b) Nie zanurzaj baterii w wodzie ani innych cieczach.
  - c) Nie mostkuj zacisków baterii przewodami ani innymi przedmiotami metalowymi.
  - d) Pakiet baterii powinien być trzymany z dala od małych metalowych przedmiotów przewodzących (jak spinacze, gwoździe,

monety, klucze itd.).

- e) Przechowuj baterie w suchych pomieszczeniach.
  - f) Nie przechowuj baterii w wilgotnym ani żrącym otoczeniu, bądź takim, które powodować korozję części metalowych.
  - g) Chroni baterie przed narażeniem na substancje żrące, jak chemikalia ogrodnicze i sole do rozmrażania.
  - h) Nigdy nie przechowuj baterii wewnątrz narzędzi elektrycznych.
  - i) Przechowuj baterię naładowaną od 40% do 60% (3 zielone lampki rozświetlone).
  - j) Jeżeli pakiet baterii wymaga wysyłki drogą powietrzną, naładowanie nie może przekraczać 30%.
  - k) Jeżeli przechowujesz baterię w ładowarce, odłącz ją od gniazdka.
  - l) Nie próbuj naprawiać, otwierać ani rozbierać baterii. Nie ma wewnątrz części, które wymagałyby serwisowania przez użytkownika.
  - m) Aby zmniejszyć ryzyko obrażeń osobistych wskutek przypadkowej aktywacji, zawsze wyjmij baterię przed demontażem, transportem, regulacją, czyszczeniem, serwisowaniem lub złożeniem narzędzia elektrycznego.
6. Pożar baterii jest niebezpieczny. Aby zmniejszyć ryzyko poważnych obrażeń osobistych i strat na mieniu w razie pożaru:
- a) Ewakuuj teren. Ogień może szybko się rozprzestrzeniać. Chroni się przed wytwarzanym gazem i dymami, zachowuj bezpieczną odległość.
  - b) Wezwij straż pożarną.
  - c) O ile woda może być używana do gaszenia ognia baterii, najlepiej jest zastosować uniwersalną gaśnicę na sucho do gaszenia ognia chemikaliów.
  - d) Skonsultuj się ze strażą pożarną względem właściwej utylizacji spalonych baterii.
7. Cieknący elektrolit baterii może powodować podrażnienie skóry i oczu lub oparzenia chemiczne.
- a) Unikaj kontaktu ze skórą i oczami.
  - b) Jeżeli ciecz dostanie się do oczu: Nie trzeć. Płukać otwarte oczy wodą przez przynajmniej 15 minut, wezwać pomoc lekarską.
  - c) W razie przypadkowego kontaktu, niezwłocznie płucz dotknięte miejsce obficie wodą i łagodnym mydłem.
  - d) Na rozlaną ciecz zastosuj nieczyny materiał chłonny, jak piasek.

szkodliwych zakłóceń i

- (2) to urządzenie musi być odporne na odbierane zakłócenia, łączenie z tymi, które powodują niepożądane działanie.
- b) Ostrożnie: Zmiany lub modyfikacje w tym urządzeniu, które nie są jawnie zaaprobowane przez stronę odpowiedzialną za zgodność, mogą unieważnić uprawnienie użytkownika do używania sprzętu.
- c) WSKAZÓWKA: Ten sprzęt wytwarza, wykorzystuje i może promieniować energią o częstotliwości radiowej, i - o ile nie jest zainstalowane i używane zgodnie z instrukcją - może powodować szkodliwe zakłócenia w łączności radiowej. Jednakże, nie ma gwarancji, że w konkretnej instalacji zakłócenia nie wystąpią. Jeżeli ten sprzęt powoduje szkodliwe zakłócenia w odbiorze radiowym lub telewizyjnym, co można ustalić wyłączając i włączając go, zachęca się użytkownika do próby skorygowania problemu przez jeden z następujących środków:
  - Reorientacja lub relokacja anteny odbiorczej.
  - Zwiększenie odstępów między sprzętem i odbiornikiem.
  - Podłączenie sprzętu do gniazdka w innym obwodzie niż ten, z którym połączony jest odbiornik.
  - W kwestii pomocy skonsultuj się ze sprzedawcą lub doświadczonym technikiem radiowym/TV.

PL




## SYMBOLE





Utylizacja przyjazna dla środowiska. Zużytych urządzeń elektrycznych nie wolno wyrzucać wraz z odpadkami domowymi, lecz utylizować je osobno. Utylizacja w komunalnym punkcie zbiórki przez osoby prywatne jest bezpłatna. Właściciel zużytych urządzeń jest odpowiedzialny za ich odstąpienie do tych lub podobnych punktów zbiórki. Tym niewielkim wysiłkiem osobistym przyczyniasz się do recyklingu cennych surowców oraz przetwarzania odpadów toksycznych.

## WYMAGANIA DLA PRODUKTU BEZPRZEWODOWEGO WEDŁUG INSTRUKCJI

- a) Działanie tego urządzenia podlega następującym dwóm warunkom:
  - (1) To urządzenie nie może wytwarzać

 <p>Li-Ion</p>	<p>Bateria litowo-jonowa. Ten produkt oznaczono symbolem „segregacji odpadów” dla zużytych baterii i akumulatorów. Umożliwia to jego recykling i demontaż, które zmniejszają negatywny wpływ na środowisko. Pakiety akumulatorów są niebezpieczne dla środowiska i dla ludzkiego życia, gdyż zawierają niebezpieczne substancje.</p>
	<p>Nie wrzucać do ognia</p>
	<p>Nieprawidłowo utylizowane baterie mogą dostać się do obiegu wodnego, co jest groźne dla ekosystemu. Nie wyrzucaj baterii wraz z niesortowanymi odpadami miejskimi.</p>

należy nacisnąć przycisk testu zasilania na akumulatorze, aby sprawdzić jego poziom naładowania.

Uwagi	Kontrolka LED	Stan naładowania akumulatora
Świeci się pięć zielonych kontroltek.		80% ≤ Poziom naładowania ≤ 100%
Świecą się cztery zielone kontrolki.		60% ≤ Poziom naładowania < 80%
Świecą się trzy zielone kontrolki.		40% ≤ Poziom naładowania < 60%
Świecą się dwie zielone kontrolki.		20% ≤ Poziom naładowania < 40%
Świeci się jedna zielona kontrolka.		10% ≤ Poziom naładowania < 20%
Miga jedna zielona kontrolka.		0% ≤ Poziom naładowania < 10%

## INSTRUKCJE OBSŁUGI

### Wskazówki dotyczące optymalnego obchodzenia się z akumulatorem

- Wskazówka:**
1. W chwili zakupu bateria akumulatorowa jest częściowo naładowana, jednak przed pierwszym użyciem należy ją doładować. Celem zapewnienia pełnej sprawności akumulatora, przed zamontowaniem go po raz pierwszy w narzędziu z napędem elektrycznym należy go całkowicie naładować z użyciem ładowarki.
  2. Akumulator powoli traci swój ładunek, jeśli jest trzymany poza ładowarką lub pozostawiony w nie podłączonej ładowarce przez dłuższy czas. Przed użyciem może wymagać naładowania.

CyberPack może być używany z plecakiem, szczegóły w instrukcji obsługi plecaka.

W przypadku wystąpienia błędów związanych z nadmiernym rozładowaniem, nadmiernym ładowaniem, nadmierną temperaturą i niską temperaturą podczas ładowania akumulatora w ładowarce lub używania go w urządzeniu, użytkownik otrzyma komunikat o błędzie, a ładowarka lub urządzenie przestaną się ładować lub pracować.

Akumulator litowo-jonowy można ładować w dowolnej chwili, co nie skraca jego rezerwu. Przerwanie procesu ładowania nie powoduje uszkodzenia akumulatora.

Poziom naładowania akumulatora można poznać dzięki lampce wskaźnika akumulatora po naciśnięciu przycisku testu zasilania. Przed rozpoczęciem użytkowania lub po jego zakończeniu

Stan akumulatora można poznać poprzez status lampki wskaźnika Bluetooth oraz lampki wskaźnika usterki.

Uwagi	Stan naładowania akumulatora
Lampka wskaźnika Bluetooth świeci się.	Bluetooth jest podłączony.
Lampka wskaźnika Bluetooth nie świeci się.	Bluetooth nie jest podłączony.
Lampka wskaźnika usterki świeci się.	Awaria akumulatora, zakaz ładowania i rozładowywania.
Lampka wskaźnika usterki nie świeci się.	Jest to normalne.

Gdy akumulator ulegnie uszkodzeniu, zapali się wskaźnik usterki, a za pośrednictwem aplikacji można wyświetlić konkretną przyczynę usterki i jej rozwiązanie.



# SPOSÓB WYMIANY AKUMULATORA

Zapoznaj się z postępowaniem podanym w instrukcji obsługi ładowarki.

## SKŁADOWANIE

Akumulator należy przechowywać wyłącznie w temperaturze od 5°C do 25°C.

Po długim okresie składowania po wyjęciu z ładowarki lub w nie podłączonej ładowarce akumulator nadal zachowuje stosunkowo wysoki poziom naładowania.

Zdecydowanie krótszy czas prac po naładowaniu wskazuje na zużycie akumulatora i konieczność wymiany na nowy.

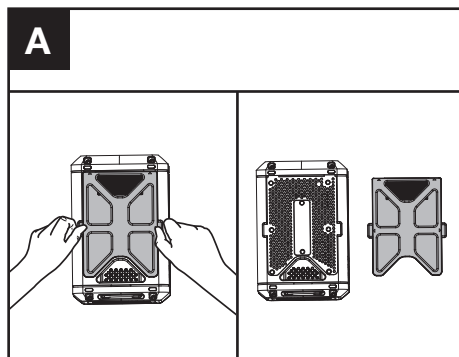
## TRANSPORT

Załączone w dostawie akumulatory litowo jonowe podlegają wymaganiom przepisów dotyczących towarów niebezpiecznych. Akumulatory mogą być transportowane drogą lądową przez użytkownika bez konieczności spełnienia jakichkolwiek dalszych warunków.

Akumulatory można wysyłać tylko wówczas, gdy ich obudowa nie jest uszkodzona. Akumulatorki należy zapakować w sposób uniemożliwiający wolnemu przemieszczaniu się w opakowaniu.


## KONSERWACJA I SERWIS

Otwory wentylacyjne należy regularnie czyścić za pomocą miękkiego, czystego i suchego pędzelka. W przypadku zatkania filtra przeciwpyłowego na akumulatorze należy go wyjąć i przepłukać wodą. Po wysuszeniu włożyć filtr przeciwpyłowy z powrotem do akumulatora. W celu ochrony akumulatora, jeśli filtr przeciwpyłowy jest uszkodzony, proszę wymienić go w odpowiednim czasie (patrz rys. A)




W razie awarii akumulatora należy zwrócić się do autoryzowanego serwisu elektronarzędzi Kress.

## DANE TECHNICZNE

	KAC804
Napięcie	60 V  MAX*
Pojemność akumulatora	4.0 Ah
Zalecana temperatura otoczenia podczas ładowania	-5~45 °C
Optymalna temperatura składowania	5~25 °C
Masa akumulatora	3 kg
Stopień ochrony	IPX5
Pasma częstotliwości dla Bluetooth	2400-2483.5 MHz
Maksymalna moc przesyłana dla Bluetooth	8 dBm

\* Napięcie mierzone bez obciążenia. Początkowe napięcie akumulatora osiąga maksymalną wartość 60 V. Napięcie nominalne wynosi 54 V.

## OCHRONA ŚRODOWISKA

 Odpady wyrobów elektrycznych nie powinny być wyrzucane razem z odpadami gospodarstwa domowego. Należy korzystać z recyklingu, jeśli istnieje odpowiednia infrastruktura. Porady dotyczące recyklingu można uzyskać u władz lokalnych lub sprzedawcy detalicznego.

PL

# DEKLARACJA ZGODNOŚCI

My,  
Positec Germany GmbH  
Postfach 32 02 16, 50796 Cologne, Germany

Deklarujemy, że produkt,  
Opis **Pakiet baterii**  
Typ **KAC804**  
Funkcja **Dostarcza energii do narzędzi elektrycznych, ogrodniczych i podobnych produktów**

Jest zgodny z poniższymi dyrektywami:  
**2006/66/EC & 2013/56/EU, 2014/53/EU, 2011/65/EU & (EU) 2015/863**

Standardy zgodne z,  
**EN 62133-2,**  
**EN 300328,**  
**EN 301489-1/-17,**  
**EN 50663**

Osoba upoważniona do sporządzenia dokumentacji technicznej,

**Nazwa Marcel Filz**  
**Adres Positec Germany GmbH**  
**Postfach 32 02 16, 50796 Cologne, Germany**

PL



2022/12/06  
Allen Ding  
Zastępca głównego inżyniera, testowanie i certyfikacja  
Positec Technology (China) Co., Ltd  
18, Dongwang Road, Suzhou Industrial Park, Jiangsu 215123, P. R. China

# OBSAH

Úvod.....	67
Seznam komponentů.....	68
Bezpečnost výrobku.....	69
Návod na použití.....	70
Jak nabít akumulátor.....	71
Uskladnění.....	71
Přeprava.....	71
Údržba a servis.....	71
Technické údaje.....	72
Ochrana životního prostředí.....	72
Prohlášení o shodě.....	72

CZ

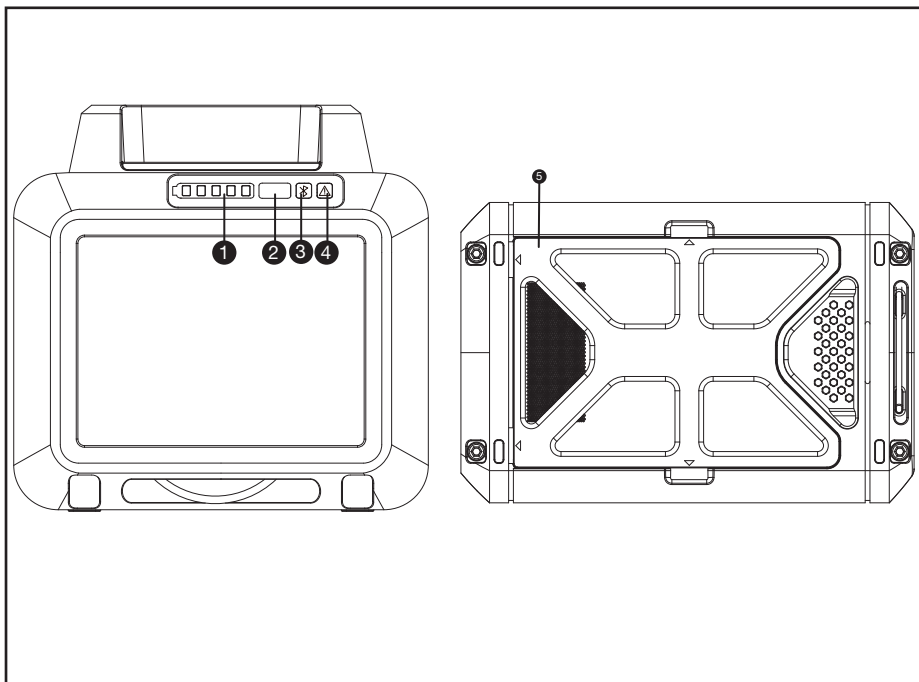
## ÚVOD

Vážený zákazníku,

děkujeme, že jste si zakoupili tento produkt od společnosti Kress Commercial. Zaměřujeme se na vývoj vysoce kvalitních produktů, které splní vaše požadavky při krajinářských pracích.

Značka Kress je synonymem služeb prémiové kvality. Pokud budete mít kdykoli během doby životnosti vašeho produktu jakékoli otázky nebo obavy ohledně vašeho produktu, obraťte se na vašeho prodejce nebo přímo na náš tým Zákaznických služeb.

Věříme, že budete mít radost z používání vašeho produktu od společnosti Kress po mnoho nadcházejících let.



CZ

## SEZNAM KOMPONENTŮ

1.     **INDIKÁTOR BATERIE**
2.     **TLAČÍTKO PROZKOUŠENÍ NABITÍ**
3.     **INDIKÁTOR BLUETOOTH**
4.     **INDIKÁTOR BLUETOOTH**
5.     **PRACHOVÝ FILTR**

# BEZPEČNOST VÝROBKU



**VAROVÁNÍ:** Přečtěte si všechna bezpečnostní upozornění a instrukce.

*Nedodržení bezpečnostních instrukcí a varování může vést ke zranění el. proudem, vypuknutí požáru, poškození náradí a nebo k vážným zraněním.*

Pozorně si přečtěte pokyny ohledně bezpečného provozu tohoto stroje.

Uložte instrukce a veškerou dokumentaci pro budoucí použití.

Akumulátorový blok používejte výhradně pro akumulátorové náradí Kress. Podrobné informace naleznete na výrobním štítku náradí a v příloženém návodu k použití výrobku.

## BEZPEČNOSTNÍ VAROVÁNÍ TÝKAJÍCÍ SE BATERIÍ

- a) Nepokoušejte se demontovat, rozebírat nebo rozřezávat baterie nebo její články.
- b) Neprovádějte zkratování baterie. Neukládejte baterie nahodile v krabicích nebo v zásuvkách, kde by mohlo dojít k jejich vzájemnému zkratování nebo k zkratování způsobenému jinými předměty. Není-li baterie používána, udržujte ji v bezpečné vzdálenosti od sponek na papíry, mincí, klíčů, hřebíků, šroubů nebo jiných malých kovových předmětů, které mohou způsobit propojení kontaktů baterie. Zkratování kontaktů baterie může způsobit popáleniny nebo požár.
- c) Nevystavujte baterii působení horka nebo ohně. Vyvarujte se skladování baterií na otevřeném slunci.
- d) Nevystavujte baterii mechanickým rázům.
- e) Dojde-li k úniku kapaliny z baterie, zabraňte tomu, aby se tato kapalina dostala do kontaktu s pokožkou nebo aby zasáhla oči. Dojde-li k takovému kontaktu, zasažené místo omyjte značným množstvím vody a vyhledejte lékařské ošetření.
- f) Udržujte baterie čisté a suché.
- g) Jsou-li svorky baterie znečištěny, otřete je čistým a suchým hadříkem.
- h) Baterie musí být před použitím nabita. Vždy postupujte podle uvedených pokynů a používejte správný postup nabíjení.
- i) Nenechávejte baterii nabíjet, nebude-li baterie použita.
- j) Po dlouhodobém uložení budete možná muset provést několik cyklů nabíjení a vybíjení, aby baterie dosáhla svého maximálního výkonu.
- k) Provádějte nabíjení pouze v nabíječce, která je specifikovaná společností Kress. Nepoužívejte jinou nabíječku, než je nabíječka speciálně dodaná pro použití s tímto zařízením.
- l) Nepoužívejte žádnou baterii, která není určena pro použití s tímto zařízením.

- m) Ukládejte baterie mimo dosah dětí.
- n) Ušchovejte originální dokumentaci k tomuto výrobku pro budoucí odkazy.
- o) Není-li zařízení používáno, vyjměte z něj baterii.
- p) Provádějte řádnou likvidaci baterie.
- q) V zařízení nekombinujte bateriové články různého data výroby, kapacity, velikosti nebo typu.
- r) Baterii uchovávejte dál od mikrovlnných trub a vysokého tlaku.

## DOPLŇUJÍCÍ BEZPEČNOSTNÍ UPOZORNĚNÍ OHLEDNĚ KOMERČNÍ SADY BATERIÍ

1. Sadu baterií používejte pouze pro bezšňůrové výrobky Kress pro komerční použití.
2. Sadu baterií používejte pouze s nabíječkou baterií KAC840 nebo dalšími nabíječkami baterií, uvedenými v návodu k obsluze.
3. Sadu baterií používejte pouze s nabíjecí stanicí KAC875E a KAC877E nebo s dalšími nabíjecími stanicemi, uvedenými v návodu k obsluze.
4. Z důvodu dosažení nejlepšího výkonu, prosím, věnujte pozornost následujícímu teplotnímu rozsahu okolí a sadu baterií nenabíjejte, nepoužívejte ani neskladujte v případě překročení následujícího teplotního rozsahu:
  - a) Teplotní rozsah pro nabíjení: -5°C~45°C
  - b) Teplotní rozsah pro vybíjení: -20°C~45°C
  - c) Teplotní rozsah pro skladování: 5°C~25°C
5. Z důvodu snížení nebezpečí zasažení elektrickým proudem, požáru a výbuchu v důsledku zkratů:
  - a) Pokud bude baterie vystavena dešti během používání, vyjměte ji z výrobku a nechte ji usušit ve vnitřních prostorách. Před nabíjením nebo opětovným použitím se přesvědčte, že je úplně suchá.
  - b) Baterii neponořujte do vody ani jiných kapalin.
  - c) Nespojujte póly baterie pomocí drátů ani jiných kovových předmětů.
  - d) Sada baterií by měla být uchovávána daleko od malých, vodivých kovových předmětů (jako např. kancelářských sponek, hřebíků, mincí, klíčů atd.).
  - e) Baterie skladujte uvnitř domu v suché místnosti.
  - f) Baterie neskladujte ve vlhkém nebo korozivním prostředí, ani v prostředí, které může způsobit korozi kovových částí.
  - g) Baterie chraňte před vystavením korozivním látkám, jako jsou např. zahradní chemikálie a sůl na odstraňování námrazy.
  - h) Baterie nikdy neskladujte uvnitř elektrického náradí.
  - i) Až budete baterie skladovat, tak je udržujte nabitě na 40 % až 60 % (budou svítit 3 zelené kontrolky).

j) Pokud bude třeba sadu baterií poslat samostatně letecky, tak nabití nesmí přesáhnout 30 %.

k) Pokud baterie uchováváte v nabíječe, tak nabíječku vypojte ze zásuvky.

l) Nepokoušejte se baterii opravit, otevřít ani rozebrat. Uvnitř jsou dva díly, které jsou opravitelné uživatelem.

m) Z důvodu snížení nebezpečí zranění osob neúmyslným zapnutím, baterii vždy vyjměte před sestavením, přepravou, seřizením, čištěním, prováděním servisních oprav nebo skladováním elektrického nářadí.

6. Požár baterie je nebezpečný. Z důvodu snížení nebezpečí vážného zranění osob a škody na majetku v případě požáru:

a) Evakuujte oblast. Požáry se rozšiřují rychle. Držte se dále od jakýchkoli vzniklých plynů a kouře a udržujte si bezpečnou vzdálenost.

b) Kontaktujte požární sbor.

c) I když voda může být použita na hašení požárů baterií, je nejlepší použít víceúčelový, suchý, chemický, hasicí přístroj.

d) S požárním sborem se poraďte o správné likvidaci shořelých baterií.

7. Vytékající kapalina z baterie může způsobit podráždění pokožky a očí nebo poleptání.

a) Vyhněte se kontaktu s pokožkou a očima.

b) Pokud se kapalina dostane do očí: Nemněte je. Otevřené oči proplachujte vodou nejméně 15 minut a vyhledejte lékařskou pomoc.

c) V případě, že dojde k neúmyslnému kontaktu, místo kontaktu okamžitě a důkladně omyjte jemným mýdlem a vodou.

d) Použijte inertní absorbent, jako je např. písek na rozlité kapaliny.

opětovným zapnutím zařízení, tak uživateli doporučujeme, aby zkusil rušení upravit jedním nebo více z následujících opatření:

- Přeorientovat nebo přemístit přijímací anténu.

- Zvýšit prostor mezi zařízením a přijímačem.

- Zařízení zapojit do zásuvky na okruhu jiném, než ke kterému je připojen přijímač.

- Požádejte o pomoc prodejce nebo zkušeného rádiového/televizního technika.

## SYMBOLY



Ekologicky šetrná likvidace starých elektrických spotřebičů nesmí probíhat společně s obvyklým odpadem, ale musejí být zlikvidovány samostatně. Likvidace v obecních sběrných dvorech je pro soukromé osoby bezplatná. Majitel starých spotřebičů je zodpovědný za dopravení spotřebičů do těchto sběrných dvorů nebo do podobných sběrných dvorů. Takovýmto nepatrným úsilím přispíváte k recyklaci cenných surovin a úpravu toxických látek.



Li-Ion



Akumulátor Li-Ion. Tento výrobek byl označen symbolem „říděný odpad“ pro všechny jednotlivé a složené akumulátory. Proto musí být s ohledem dopadu na životní prostředí po doslousnění recyklován nebo demontován. Akumulátory obsahují nebezpečné látky, proto mohou být nebezpečné pro životní prostředí a lidské zdraví.



Nevystavujte ohni



Akumulátory se mohou při nesprávném způsobu likvidace dostat do systému koloběhu vody, což může ohrozit vlastní ekosystém. Dosloužilé akumulátory nelikvidujte jako netříděný komunální odpad.

## NÁVOD K OBSLUZE, POŽADAVKY NA BEZŠŤŮROVÝ VÝROBEK

a) Používání tohoto zařízení podléhá následujícím dvěma podmínkám:

(1) Toto zařízení nesmí způsobovat škodlivé rušení a

(2) toto zařízení musí přijímat jakékoli rušení, které přijme, včetně rušení, které může způsobit nežádoucí provoz.

b) Upozornění: Změny nebo úpravy této jednotky, které nebyly výslovně schváleny stranou, která je zodpovědná za splnění předpisů, by mohly zneplatnit uživateli pravomoc toto zařízení používat.

c) POZNÁMKA: Toto zařízení vytváří, používá a může také vyzařovat radiovou frekvenční energii a pokud nebude nainstalováno a používáno ve shodě s pokyny, může způsobovat škodlivé rušení radiových komunikací. Neexistuje však záruka, že se rušení nevyskytne v konkrétní instalaci. Pokud toto zařízení přece jen způsobí škodlivé rušení rádiovému nebo televiznímu příjmu, což může být zjištěno vypnutím a

## NÁVOD NA POUŽITÍ

**Upozornění pro optimální zacházení akumulátorem**

**Upozornění:**

1. Váš bateriový zdroj je částečně nabitý a před prvním použitím je nutné jej plně nabít. K zajištění úplné kapacity baterie ji úplně nabijte v nabíječe předtím, než ji poprvé použijete v s elektrickým nářadím.






2. Sada baterií postupně ztrácí svou úroveň nabití, když se nachází mimo nabíječku nebo je dlouho ponechána v nezapojené nabíječce. Může být nutné ji před použitím nabít.

Baterie CyberPack lze použít spolu s batohem, podrobnosti naleznete v návodu k batohu.

Když během nabíjení v nabíječce nebo používání na stroji dojde k závadám přílišného vybití nebo nabití, nadměrné teploty nebo příliš nízké teploty, uživatel uvidí výstrahu na záradu a nabíječka nebo stroj přestanou nabíjet nebo fungovat.

Li-Ion baterii můžete nabíjet kdykoli, aniž byste zkrátili její provozní životnost. Přerušování procedury nabíjení baterii nepoškodí.

Úroveň nabití baterie můžete zjistit pomocí indikátoru baterie tak, že stisknete tlačítko prozkoušení nabití. Před spuštěním a po každém použití stiskněte tlačítko prozkoušení nabití, abyste zjistili kapacitu baterie.

Poznámky	LEDdioda	Stav baterie
Svítil pět zelených kontrolky.		80% ≤ úroveň výkonu ≤ 100%
Svítil čtyři zelené kontrolky.		60% ≤ úroveň výkonu < 80%
Svítil tři zelené kontrolky.		40% ≤ úroveň výkonu < 60%
Svítil dvě zelené kontrolky.		20% ≤ úroveň výkonu < 40%
Svítil jedna zelená kontrolka.		10% ≤ úroveň výkonu < 20%
Jedna zelená kontrolka bliká.		0% ≤ úroveň výkonu < 10%

Příslušný stav baterie můžete získat i pomocí indikátoru Bluetooth a kontrolky závady.

Poznámky	Stav baterie
Indikátor Bluetooth svítí.	Bluetooth je připojen.

Indikátor Bluetooth nesvítí.	Bluetooth není připojen.
Kontrolka závady svítí.	Selhání baterie, nabíjení a vybíjení zakázáno.
Kontrolka závady nesvítí.	Vše je v pořádku.

Pokud dojde k selhání sady baterií, kontrolka závady se rozsvítí; konkrétní příčinu závady a její řešení může zjistit pomocí aplikace.

## JAK NABÍVAT AKUMULÁTOR

Podrobné informace naleznete v návodu k použití nabíječky.

## USKLADNĚNÍ

Akumulátor skladujte pouze v rozsahu teploty od 5°C do 25°C.

Když je mimo nabíječku nebo ponechána v nezapojené nabíječce po delší dobu, tak baterie stále dosahuje relativně vysoké úrovně. Výrazně nižší provozní doba po nabití ukazuje, že je akumulátor opotřebován a musí být vyměněn.

## PŘEPRAVA

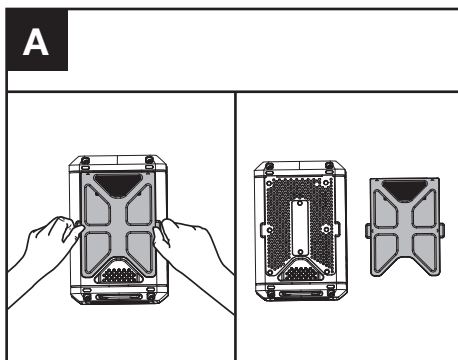
Obsažené lithium-iontové akumulátory podléhají požadavkům zákona o nebezpečných nákladech. Tyto akumulátory mohou být bez dalších podmínek přepravovány uživatelem po silnici.

Akumulátory zasílejte pouze tehdy, pokud je těleso nepoškozené. Akumulátor zabalte takovým způsobem, aby během přepravy nemohlo dojít k jeho pohybu uvnitř balíku.

## ÚDRŽBA A SERVIS

Příležitostně vyčistěte větrací otvory akumulátoru měkkým, čistým a suchým štětcem. Tyto akumulátory mohou být bez dalších podmínek přepravovány uživatelem po silnici.

Když dojde k ucpání prachového filtru baterie, je nutné jej odstranit a opláchnout vodou. Po vysušení vraťte prachový filtr zpět do baterie. Pokud je prachový filtr poškozený, včas jej vyměňte, abyste chránili baterii. (Viz obr. A)



Pokud už akumulátor není schopný funkce, obraťte se prosím na autorizované servisní středisko pro elektronářadí Kress.

## TECHNICKÉ ÚDAJE

	KAC804
Napětí	60 V  MAX*
Kapacita baterie	4.0 Ah
Doporučená okolní teplota k nabíjení	-5~45 °C
Optimální uskladnění teplota při použití	5~25 °C
Hmotnost baterie	3 kg
Stupeň ochrany	IPX5
Frekvenční pásma Bluetooth	2400-2483.5 MHz
Maximální přenášený výkon Bluetooth	8 dBm

\* Napětí měřené bez zátěže. Počáteční napětí baterie dosáhne maximálně 60 voltů. Jmenovité napětí je 54 voltů.

## OCHRANA ŽIVOTNÍHO PROSTŘEDÍ

Elektrické výrobky se nesmí likvidovat spolu s domácím odpadem. Recyklujte je v sběrnách pro tento účel zřízených. O možnostech recyklace se informujte na místních úřadech nebo u prodejce.

## PROHLÁŠENÍ O SHODĚ

My,  
Positec Germany GmbH  
Postfach 32 02 16, 50796 Cologne, Germany

Prohlašujeme, že produkt,  
Popis **Sada baterií**  
Typ **KAC804**  
Funkce **Poskytuje energii elektrickému nářadí, zahradnímu nářadí a podobným výrobkům**

Splňuje následující směrnice:  
**2006/66/EC & 2013/56/EU, 2014/53/EU, 2011/65/EU & (EU) 2015/863**

Splňované normy,  
**EN 62133-2,**  
**EN 300328,**  
**EN 301489-1/-17,**  
**EN 50663**

Osoba oprávněná uspořádat technický soubor,  
Název **Marcel Filz**  
Adresa **Positec Germany GmbH**  
Postfach 32 02 16, 50796 Cologne, Germany



2022/12/06  
Allen Ding  
Zástupce vrchní konstrukční kanceláře, Testování & Certifikace  
Positec Technology (China) Co., Ltd  
18, Dongwang Road, Suzhou Industrial Park, Jianguo 215123, P. R. China



# OBSAH

Úvod.....	73
Zoznam súčastí.....	74
Bezpečnosť výrobku.....	75
Návod na použitie.....	76
Ako nabiť akumulátor.....	77
Skladovanie.....	77
Transport.....	77
Údržba a servis.....	77
Technické údaje.....	78
Ochrana životného prostredia.....	78
Vyhlasenie o zhode.....	78

SK

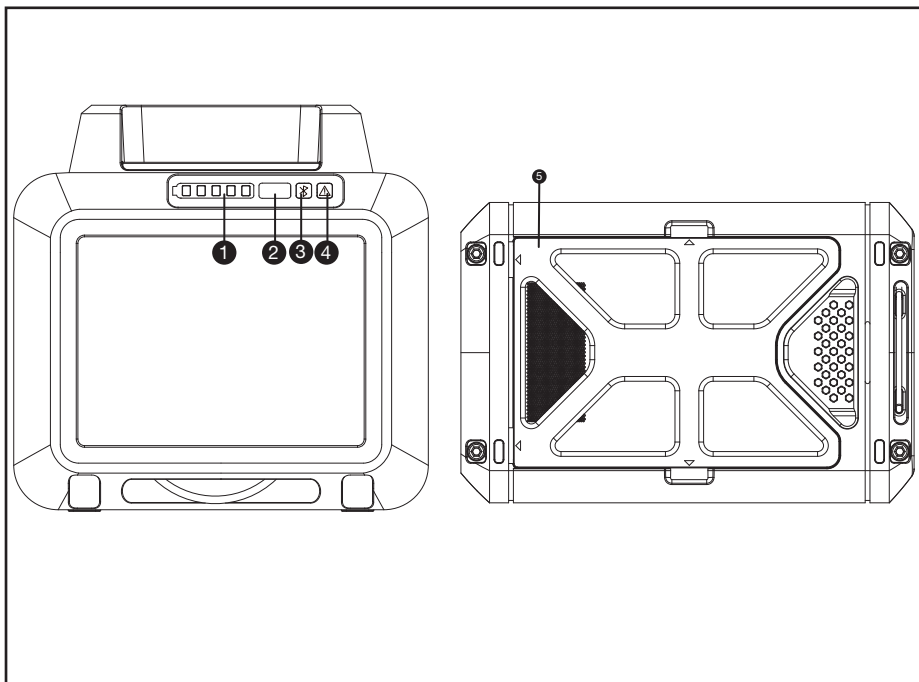
## ÚVOD

Vážení zákazníci,

ďakujeme Vám, že ste si kúpili tento výrobok Kress Commercial. Venujeme sa vývoju vysoko kvalitných výrobkov, ktoré vyhovujú vašim komerčným požiadavkám na terénne úpravy.

Značka Kress je synonymom pre prvotriedne služby. Ak budete mať v priebehu celej životnosti vášho výrobku akékoľvek otázky alebo obavy týkajúce sa vášho výrobku, kontaktujte svojho predajcu alebo náš tím zákazníckych služieb so žiadosťou o pomoc.

Sme si istí, že sa vám v nasledujúcich rokoch bude práca s výrobkom Kress páčiť.



SK

## ZOZNAM SÚČASTÍ

- |    |                           |
|----|---------------------------|
| 1. | KONTROLKA NABITIA BATÉRIE |
| 2. | TLAČIDLO TESTU NAPÁJANIA  |
| 3. | KONTROLKA BLUETOOTH       |
| 4. | KONTROLKA PORUCHY         |
| 5. | PRACHOVÝ FILTER           |

# BEZPEČNOSŤ VÝROBKU



**VAROVANIE:** Prečítajte všetky bezpečnostné varovania a inštrukcie.

*Chyba pri sledovaní varovaní a inštrukcií môže viesť k elektrickému šoku, vypuknutiu požiaru a/alebo k vážnym zraneniam.*

Pozorne si prečítajte pokyny pre bezpečnú prevádzku stroja.

Odložte si všetky varovania a inštrukcie pre budúcu potrebu.

Akumulátorový blok používajte výhradne pre akumulátorové náradie Kress. Podrobné informácie nájdete na výrobnom štítku na náradí a v priloženom návode na použitie výrobku.

## BEZPEČNOSTNÉ VAROVANIA TÝKAJÚCE SA BATÉRIÍ

- a) Nepokúšajte sa demontovať, rozoberať alebo rozrezávať batérie alebo jej články.
- b) Batériu neskratujte. Neukladajte batérie náhodne v škatuliach alebo v zásuvkách, kde by mohlo dôjsť k ich vzájomnému skratovaniu alebo k skratovaniu spôsobenému inými predmetmi. Ak sa batéria nepoužíva, udržiňte ju v bezpečnej vzdialenosti od sponiek na papieri, minci, kľúčov, klinčov, skrutiek alebo iných malých kovových predmetov, ktoré môžu spôsobiť prepojenie kontaktov batérie. Skratovanie kontaktov batérie môže spôsobiť popálenie iného alebo požiar.
- c) Nevystavujte batériu pôsobeniu tepla alebo ohňa. Vyvarujte sa skladovania batérií na otvorenom slnku.
- d) Nevystavujte batériu mechanickým rázom.
- e) Ak dôjde k úniku kvapaliny z batérie, zabráňte tomu, aby sa táto kvapalina dostala do kontaktu s pokožkou alebo aby zasiahla oči. Ak dôjde k takému kontaktu, zasiahnuté miesto umyte značným množstvom vody a vyhľadajte lekárske ošetrenie.
- f) Udržujte batérie čisté a suché.
- g) Ak sú svorky batérie znečistené, utrite ich čistou a suchou handričkou.
- h) Batéria musí byť pred použitím nabitá. Vždy postupujte podľa uvedených pokynov a používajte správny postup nabíjania.
- i) Nenechávajte batériu nabíjať, ak nebude batéria použitá.
- j) Po dlhodobom uložení budete možno musieť vykonať niekoľko cyklov nabíjania a vybíjania, aby batéria dosiahla svoj maximálny výkon.
- k) Vykonávajte nabíjanie iba v nabíjačke, ktorá je špecifikovaná spoločnosťou Kress. Nepoužívajte inú nabíjačku, než je nabíjačka špeciálne dodaná na použitie s týmto zariadením.
- l) Nepoužívajte žiadnu batériu, ktorá nie je

- určená na použitie s týmto zariadením.
- m) Ukladajte batérie mimo dosahu detí.
- n) Uchovajte originálnu dokumentáciu k tomuto výrobku na budúce odkazy.
- o) Ak sa zariadenie nepoužíva, vyberte z neho batériu.
- p) Vykonávajte riadnu likvidáciu batérie.
- q) V zariadení nekombinujte batériové články rôzneho dátumu výroby, kapacity, veľkosti alebo typu.
- r) Batériu uchovávajte ďalej od mikrovlnných rúr a zariadení pod vysokým tlakom.

## ĎALŠIE BEZPEČNOSTNÉ UPOZORNENIE PRE KOMERČNÚ BATÉRIU

1. Batériu používajte iba pre bezdrôtové výrobky Kress Commercial.
2. Batériu používajte iba s nabíjačkou batérií KAC840 alebo ďalšími nabíjačkami batérií uvedenými v návode na obsluhu.
3. Batériu používajte iba so zdrojom elektriny KAC875E a KAC877E alebo ďalšími zdrojmi, uvedenými v návode na obsluhu.
4. Aby ste dosiahli čo najlepší výkon, dávajte pozor na nasledujúci rozsah teplôt okolia, nenabíjajte, nepoužívajte ani neskladujte v prípade prekročenia nasledujúceho teplotného rozsahu:
  - a) Rozsah teplôt nabíjania: -5°C až 45°C
  - b) Rozsah teplôt vybíjania: -20°C až 45°C
  - c) Rozsah skladovacích teplôt: 5°C až 25°C
5. Aby ste znížili riziko úrazu elektrickým prúdom, požiaru a výbuchu v dôsledku skratu:
  - a) Ak je batéria počas prevádzky vystavená dažďu, vyberte ju z výrobku a nechajte ju vyschnúť v miestnosti. Pred nabíjaním alebo opätovným použitím sa uistite, že je úplne suchá.
  - b) Batériu neponárajte do vody ani iných tekutín.
  - c) Nepremosťujte svorky batérie drôtimi alebo inými kovovými predmetmi.
  - d) Batériu uchovávajte mimo dosahu malých vodivých kovových predmetov (ako sú sponky na papier, klince, mince, kľúče, atď.).
  - e) Batérie skladujte vo vnútri v suchej miestnosti.
  - f) Batériu neskladujte vo vlhkom alebo korozívnom prostredí, ani v prostredí, ktoré môže spôsobiť koróziu jej kovových častí.
  - g) Chráňte batérie pred vystavením korozívnym látkam, ako sú záhradnicke chemikálie a rozmrazovacie soli.
  - h) Nikdy neskladujte batérie vo vnútri elektrického náradia.
  - i) Pri skladovaní batérie udržiňte batériu nabitú medzi 40 až 60 % (rozsvietia sa 3 zelené kontrolky).
  - j) Ak je potrebné prepraviť batériu letecky oddelene, nabitie nesmie prekročiť 30 %.
  - k) Ak skladujete batériu v nabíjačke, odpojte nabíjačku zo zásuvky.





l) Nepokúšajte sa batériu opravovať, otvárať alebo rozoberať. Vo vnútri sa nenachádzajú žiadne časti, ktoré by mohol opraviť používateľ.  
 m) Aby ste znížili riziko poranenia osôb, spôsobeného náhodnou aktiváciou, pred montážou, prepravou, nastavovaním, čistením, údržbou alebo uskladnením elektrického náradia vždy vyberte batériu.

6. Požiar batérie je nebezpečný. Aby ste znížili riziko vážneho poranenia osôb a poškodenia majetku v prípade požiaru:
- Evakuujte priestor. Požiar sa môže rýchlo šíriť. Vyhýbajte sa akýmkoľvek vznikajúcim plynom a výparom a udržiavajte bezpečnú vzdialenosť.
  - Kontaktujte hasičov.
  - Aj keď na hasenie požiaru batérie možno použiť vodu, najlepšie je použiť viacúčelový suchý chemický hasiaci prístroj.
  - O správnej likvidácii spálených batérií sa poraďte s hasičmi.
7. Presakujúca kvapalina z batérie môže spôsobiť podráždenie pokožky a očí alebo poleptanie.
- Zabráňte kontaktu s pokožkou a očami.
  - Ak sa kvapalina dostane do očí: Neutierajte ju. Otvorené oči vyplachujte vodou aspoň 15 minút a vyhľadajte lekársku pomoc.
  - V prípade náhodného kontaktu ihneď a dôkladne umyte miesto kontaktu jemným mydlom a vodou.
  - Na rozliatu tekutinu použite inertný absorbent, ako je piesok.

prijímačom.

- Zapojte zariadenie do zásuvky v inom okruhu, než ku ktorému je pripojený prijímač.
- Požiadajte o pomoc predajcu alebo skúseného rádio/TV technika.

## SYMBOLY

	<p>Ekologická likvidácia. Staré elektrické spotrebiče sa nesmú likvidovať spolu s domovým odpadom, ale musia sa likvidovať oddelene. Likvidácia na obecnom zbernom mieste prostredníctvom súkromných osôb je bezplatná. Vlastník starých spotrebičov je zodpovedný za odovzdanie spotrebičov na tieto zberné miesta alebo na podobné zberné miesta. Týmto malým osobným úsilím prispějete k recyklácii cenných surovín a spracovaniu toxických látok.</p>
 <p>Li-Ion</p>	<p>Akumulátor Li-Ion. Tento výrobok bol označený symbolom "triedený odpad" pre všetky jednotlivé a zložené akumulátory. Preto musí byť s ohľadom vplyvu na životné prostredie po doslúžení recyklovaný alebo demontovaný. Akumulátory obsahujú nebezpečné látky, preto môžu byť nebezpečné pre životné prostredie a ľudské zdravie.</p>
	<p>Nezavádzajte ohňu</p>
	<p>Akumulátory sa môžu pri nesprávnom spôsobe likvidácie dostať do systému kolobehu vody, čo môže ohroziť vlastný ekosystém. Doslúžite akumulátory nelikvidujte ako zmesový komunálny odpad.</p>

## POŽIADAVKY NÁVODU NA OBSLUHU PRE BEZDRÔTOVÝ VÝROBK

- Prevádzka tohto zariadenia podlieha nasledujúcim dvom podmienkam:
  - (1) Toto zariadenie nesmie spôsobovať škodlivé rušenie a
  - (2) Toto zariadenie musí akceptovať akékoľvek prijateľné rušenie, vrátane rušenia, ktoré môže spôsobiť nežiaducu činnosť.
- Pozor: Zmeny alebo úpravy tohto zariadenia, ktoré nie sú výslovne schválené stranou zodpovednou za zhadu, môžu zrušiť oprávnenie používateľa prevádzkovať toto zariadenie.
- POZNÁMKA:** Toto zariadenie generuje, používa a môže vyžarovať rádiovú frekvenciu energiu a ak nie je nainštalované a používané v súlade s pokynmi, môže spôsobiť škodlivé rušenie rádiových komunikácií. Neexistuje však žiadna záruka, že pri konkrétnej inštalácii nedôjde k rušeniu. Ak toto zariadenie spôsobuje škodlivé rušenie rádiového alebo televízneho príjmu, čo sa dá zistiť vypnutím a zapnutím zariadenia, používateľovi sa odporúča, aby sa pokúsil napraviť rušenie jedným alebo viacerými z nasledujúcich opatrení:
  - Presmerujte alebo premiestnite prijímaciu anténu.
  - Zväčšite vzdialenosť medzi zariadením a

## NÁVOD NA POUŽITIE

### Pokyny pre optimálne zaobchádzanie s akumulátorom

#### Upozornenie:

- Batériový blok je čiastočne nabitý a pred prvým použitím sa musí úplne nabiť. Aby bola zabezpečená úplná kapacita batérie, pred jej prvým použitím v elektrickom náradí ju úplne nabite v nabíjačke.
- Batéria sa pomaly vybíja, ak ju ponecháte mimo nabíjačky alebo ju necháte dlhší čas v odpojenej







nabíjačke. Pred použitím ju možno bude potrebné nabiť.

CyberPack je možné použiť s prenosným nosičom na chrbát. Podrobnosti nájdete v príručke k nosiču.

Keď sa počas nabíjania batérie na nabíjačke alebo používania v stroji vyskytne porucha nadmerného vybitia, nadmerného nabitia, nadmernej teploty alebo nízkej teploty, používateľ dostane upozornenie na poruchu a nabíjačka prestane nabíjať alebo sa stroj zastaví.

Lítium-iónová batéria sa môže kedykoľvek nabiť bez skrátenia jej prevádzkovej životnosti. Prerúšením procesu nabíjania nedôjde k poškodeniu batérie.

Úroveň nabitia batérie môžete zistiť z kontrolky batérie stlačením tlačidla testu napájania. Pred spustením alebo po použití stlačte tlačidlo testu napájania na batérii a skontrolujte kapacitu batérie.

Poznámky	LED svetelný indikátor	Stav batérie
Svieti všetkých päť zelených svetelných indikátorov.		80% ≤ Úroveň nabitia ≤ 100%
Svietia štyri zelené svetelné indikátory.		60% ≤ Úroveň nabitia < 80%
Svietia tri zelené svetelné indikátory.		40% ≤ Úroveň nabitia < 60%
Svietia dva zelené svetelné indikátory.		20% ≤ Úroveň nabitia < 40%
Svieti jeden oranžový svetelný indikátor.		10% ≤ Úroveň nabitia < 20%
Jedno zelené svetlo bliká.		0% ≤ Úroveň nabitia < 10%

Príslušný stav batérie môžete zistiť prostredníctvom stavu kontrolky Bluetooth a kontrolky poruchy.

Poznámky	Stav batérie
Kontrolka Bluetooth svieti.	Bluetooth je pripojené.

Kontrolka Bluetooth nesvieti.	Bluetooth nie je pripojené.
Kontrolka poruchy svieti.	Porucha batérie, nie je dovolené nabíjanie a vybíjanie.
Kontrolka poruchy nesvieti.	Všetko je v poriadku.

Keď batéria zlyhá, rozsvieti sa kontrolka poruchy a prostredníctvom aplikácie APP si môžete pozrieť konkrétnu príčinu poruchy a jej riešenie.

## AKO NABIŤ AKUMULÁTOR

Podrobné informácie nájdete v návode na nabíjačky.

## SKLADOVANIE

Akumulátor skladujte iba pri rozahu teploty od 5°C do 25°C.

Ak batériový blok nie je v nabíjačke alebo je dlhšiu dobu ponechaný v nezapojenej nabíjačke, stále dosahuje relatívne vysokú úroveň nabitia.

Výrazne skrátená prevádzková doba akumulátora po nabití signalizuje, že akumulátor je opotrebovaný a treba ho vymeniť za nový.

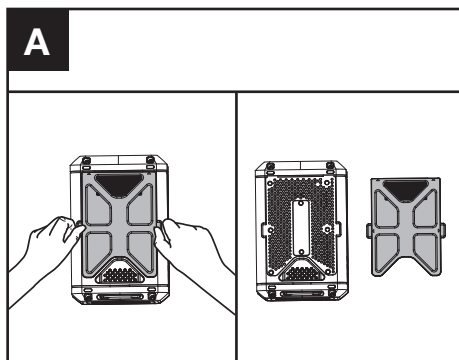
SK

## TRANSPORT

Priložené lítiovo-iónové akumulátory podliehajú požiadavkám pre transport nebezpečného nákladu. Tieto akumulátory smie používateľ nariadenia prepravovať po cestách bez ďalších opatrení. Akumulátory zasielajte iba vtedy, ak nemajú poškodený obal. Akumulátor zabaľte tak, aby počas prepravy nemohlo dôjsť k jeho pohybu vo vnútri balíku.

## ÚDRŽBA A SERVIS

Občas prečistite vetracie štrbiny akumulátora čistým jemným a suchým štetcom. Keď je prachový filter na batérii zanesený, je potrebné ho vybrať a opláchnuť vodou. Po vysušení vložte prachový filter späť do batérie. V záujme ochrany batérie, ak je prachový filter poškodený, vymeňte ho včas. (Pozrite obr. A)



Keď akumulátor prestane správne fungovať, obráťte sa láskavo na autorizované servisné stredisko ručného elektrického náradia Kress.

## TECHNICKÉ ÚDAJE

	KAC804
Napätie	60 V  MAX*
Kapacita batérie	4.0 Ah
Odporúčaná teplota okolia pri nabíjaní	-5~45 °C
Optimálna skladovacia teplota pri používaní	5~25 °C
Hmotnosť batérie	3 kg
Stupeň ochrany	IPX5
Frekvenčné pásma pre Bluetooth	2400-2483.5 MHz
Maximálny prenášaný výkon pre Bluetooth	8 dBm

\* Napätie merané bez prevádzkového zaťaženia. Počiatočné nabitie batérie dosahuje maximálne 60 Voltov. Nominálne napätie je 54 Voltov.

## OCHRANA ŽIVOTNÉHO PROSTREDIA

Elektrické výrobky sa nesmú likvidovať spolu s domácim odpadom. Recyklujte v zberných miestach na tento účel zriadených. O možnosti recyklácie sa informujte na miestnych úradoch alebo u predajcu.

## VYHLÁSENIE O ZHODE

My,  
Positec Germany GmbH  
Postfach 32 02 16, 50796 Cologne, Germany

Vyhlasujeme, že výrobok,  
Popis **Batéria**  
Typ **KAC804**  
Funkcia **Zabezpečte energiu pre elektrické náradie, záhradné náradie a podobné výrobky**

Zodpovedá nasledujúcim smerniciam:  
**2006/66/EC & 2013/56/EU, 2014/53/EU, 2011/65/EU & (EU) 2015/863**

Štandardy zodpovedajú normám,  
**EN 62133-2,**  
**EN 300328,**  
**EN 301489-1/-17,**  
**EN 50663**

Osoba oprávnená za zostavenie technického súboru,  
Názov **Marcel Filz**  
Adresa **Positec Germany GmbH**  
Postfach 32 02 16, 50796 Cologne, Germany



2022/12/06  
Allen Ding  
Zástupca vrchnej konštrukčnej kancelárie,  
Testovanie & Certifikácia  
Positec Technology (China) Co., Ltd  
18, Dongwang Road, Suzhou Industrial  
Park, Jiangsu 215123, P. R. China

# KAZALO VSEBINE

Uvod.....	79
Sestavni deli.....	80
Varnost izdelka.....	81
Navodila za uporabo.....	82
Polnjenje akumulatorja.....	83
Shranjevanje.....	83
Transport.....	83
Vzdrževanje in servisiranje.....	83
Tehnični podatki.....	84
Varovanje okolja.....	84
Izjava o skladnosti.....	84

SL

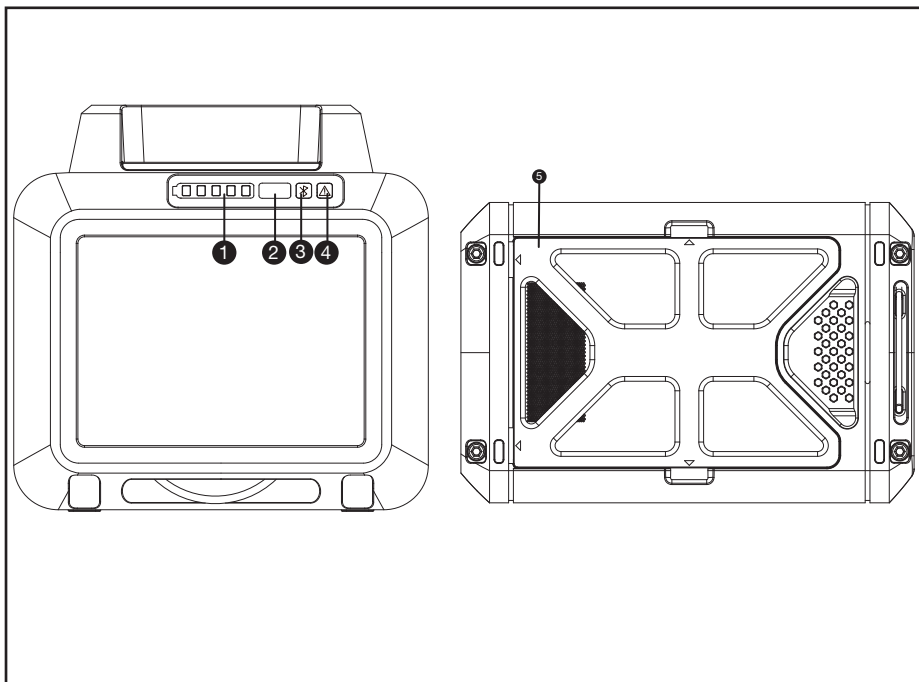
## UVOD

Spoštovana stranka,

Hvala za nakup tega izdelka Kress Commercial. Predani smo razvoju visokokakovostnih izdelkov, ki ustrezajo vašim zahtevam komercialnega urejanja okolice.

Znamka Kress je sinonim za storitve vrhunske kakovosti. Če imate v času življenjske dobe vašega izdelka kakršna koli vprašanja ali pomisleke glede vašega izdelka, se za pomoč obrnite na svojega prodajalca ali našo skupino za pomoč strankam.

Prepričani smo, da boste z uporabo vašega izdelka Kress uživali še vrsto let.



SL

## SESTAVNI DELI

1.     **INDIKATORSKA LUČKA BATERIJE**

---

2.     **GUMB ZA PREIZKUS NAPAJANJA**

---

3.     **INDIKATORSKA LUČKA BLUETOOTH**

---

4.     **INDIKATORSKA LUČKA ZA NAPAČO**

---

5.     **FILTER ZA PRAH**

---



# VARNOST IZDELKA



**OPOZORILO!** Preberite vsa opozorila in napotila. Napake zaradi neupoštevanja spodaj navedenih opozoril in napotil lahko povzročijo električni udar, požar in/ali težke telesne poškodbe.

Pozorno preberite navodila za varno uporabo stroja.

Vsa opozorila in napotila shranite, ker jih boste v prihodnje še potrebovali.

Uporabljajte le akumulatorje, ki so namenjeni za napajanje brezžičnih orodij Kress. Upoštevajte oznako na izdelku in priložena navodila.

## VARNOSTNA OPOZORILA ZA AKUMULATOR

- a) Ne razstavlajte, odpirajte ali odstranjujte celic akumulatorja.
- b) Pazite, da ne povzročite kratkega stika med kontaktoma akumulatorja. Akumulatorjev nikoli ne shranjujte v škatli ali predalu, kjer bi lahko prišlo do kratkega stika zaradi stika kontaktov s prevodnimi predmeti. Kadar akumulator ni nameščen v orodju, ga hranite proč od drugih kovinskih predmetov, kot so sponke za papir, kovanci, ključi, želblji, vijaki ali drugi drobni kovinski predmeti, ki bi lahko omogočili stik med kontaktoma. Če pride do stika med kontaktoma akumulatorja, to lahko povzroči požar.
- c) Akumulatorja ne izpostavljajte vročini ali ognju. Poskrbite, da ne bo izpostavljen neposredni sončni svetlobi.
- d) Akumulatorja ne izpostavljajte mehanskim udarcem.
- e) Če opazite, da akumulator pušča, pazite, da tekočina ne bo prišla v stik z očmi. Če akumulatorska tekočina vseeno pride v stik z očmi, izperite prizadeto območje z obilo vode in poiščite zdravniško pomoč.
- f) Akumulator shranjujte na čistem in suhem mestu.
- g) Če se akumulator zamaže, ga takoj očistite s čisto in suho krpo.
- h) Akumulator morate pred uporabo napolniti. Pri polnjenju akumulatorja vedno upoštevajte predpisana navodila in postopke.
- i) Če akumulatorja ne polnite, ga odstranite iz polnilca.
- j) Po daljšem obdobju skladiščenja, boste za doseg maksimalne zmogljivosti akumulatorja verjetno morali slednjega nekajkrat napolniti in izprazniti.
- k) Za polnjenje uporabljajte le polnilce, ki jih je predpisal Kress. Nikoli ne uporabljajte polnilcev, ki niso posebej namenjeni za polnjenje vašega akumulatorja.
- l) Nikoli ne uporabljajte polnilcev, ki niso posebej zasnovani za polnjenje vašega akumulatorja.

- m) Akumulatorje shranjujte izven dosega otrok.
- n) Za podrobnosti, si oglejte gradivo, ki je bilo priloženo akumulatorju.
- o) Če orodja ne uporabljate, iz njega odstranite akumulator.
- p) Akumulatorje odlagajte skladno s predpisi.
- q) V napravi ne uporabljajte celic različnih proizvajalcev, zmogljivosti, velikosti ali tipa.
- r) Baterije držite stran od mikrovalov in visokega tlaka.

## DODATNO VARNOSTNO OPOZORILO ZA KOMERCIALNO BATERIJO

1. Baterijo uporabljajte samo za baterijske izdelke Kress Commercial.
2. Baterijo uporabljajte samo s polnilnikom KAC840 ali dodatnimi polnilniki, navedenimi v uporabniškem priročniku.
3. Baterijo uporabljajte samo z napajalnikom KAC875E in KAC877E ali dodatnim napajalnikom, navedenimi v uporabniškem priročniku.
4. Da bi dosegli najboljše rezultate, bodite pozorni na naslednje temperaturno območje okolice, ne polnite, uporabljajte ali shranjujte, če presegate naslednje temperaturno območje:
  - a) Temperaturno območje polnjenja:  $-5^{\circ}\text{C}$ – $45^{\circ}\text{C}$
  - b) Temperaturno območje izpusta:  $-20^{\circ}\text{C}$ – $45^{\circ}\text{C}$
  - c) Temperaturno območje za shranjevanje:  $5^{\circ}\text{C}$ – $25^{\circ}\text{C}$
5. Za zmanjšanje nevarnosti električnega udara, požara in eksplozije zaradi kratkega stika:
  - a) Če je baterija med delovanjem izpostavljen dežju, jo odstranite iz izdelka in pustite, da se posuši v zaprtih prostorih. Prepričajte se, da je pred polnjenjem ali ponovno uporabo popolnoma suha.
  - b) Baterije ne potaplajte v vodo ali druge tekočine.
  - c) Ne premostite sponek baterije z žicami ali drugimi kovinskimi predmeti.
  - d) Baterijo hranite stran od majhnih prevodnih kovinskih predmetov (kot so sponke za papir, želblji, kovanci, ključi itd.).
  - e) Baterije hranite v notranjosti in v suhem prostoru.
  - f) Baterije ne shranjujte v vlažnem ali jedkem okolju ali v okolju, ki bi lahko povzročilo korozijo njenih kovinskih delov.
  - g) Ščiti baterije pred izpostavljenostjo jedkim snovem, kot so vrtnarske kemikalije in soli za odmrzovanje.
  - h) Nikoli ne shranjujte baterij v električnem orodju.
  - i) Ko shranjujete baterijo, naj bo napolnjena med 40 % in 60 % (svetijo 3 zelene lučke).
  - j) Če je treba baterijo poslati ločeno po zraku, napoljenost ne sme preseči 30 %.
  - k) Če baterijo shranjujete v polnilniku, polnilnik izključite iz vtičnice.

l) Ne poskušajte popraviti, odpreti ali razstaviti baterije. V notranjosti ni delov, ki bi jih lahko servisiral uporabnik.

m) Da zmanjšate tveganje telesnih poškodb zaradi nenamernega vklopa, vedno odstranite baterijo pred sestavljanjem, transportom, nastavljanjem, čiščenjem, servisiranjem ali shranjevanjem električnega orodja.

6. Požar zaradi baterije je nevaren. Za zmanjšanje tveganja resnih telesnih poškodb in materialne škode v primeru požara:

a) Evakuirajte območje. Požari se lahko hitro širijo. Držite se proč od kakršnega koli ustvarjenega plina in hlapov ter ohranjajte varno razdaljo.

b) Obrnite se na gasilce.

c) Medtem ko se za gašenje baterijskih požarov lahko uporablja voda, je najbolje uporabiti večnamenski suhi kemični gasilni aparat.

d) Posvetujte se z gasilci glede pravilnega odstranjevanja zgorelih baterij.

7. Iztekla tekočina iz baterije lahko povzroči draženje kože in oči ali kemične opekline.

a) Izogibajte se stiku s kožo in očmi.

b) Če tekočina pride v oči: Ne drgnite. Odprite oči izpirajte z vodo vsaj 15 minut in poiščite zdravniško pomoč.

c) V primeru nenamerne stika nemudoma in temeljito umijte kontaktno območje z blagim milom in vodo.

d) Na razlito tekočino uporabite neaktivno vpojno sredstvo, kot je pesek.

sprejemnikom.

- Priključite opremo v vtičnico na tokokrogu ki ni enak tistemu, na katerega je priključen sprejemnik.

- Za pomoč se posvetujte s prodajalcem ali izkušenim radijskim/TV tehnikom.

## SIMBOLI

	Okolju prijazno odstranjevanje Starih električnih naprav ne smete odlagati skupaj s preostalimi odpadki, temveč jih morate odlagati ločeno. Odstranjevanje na komunalnih zbirnih mestih preko zasebnih oseb je brezplačno. Lastnik starih aparatov je dolžan aparate prnesti na ta zbirna mesta ali na podobna zbirna mesta. S tem majhnim osebnim trudom prispevate k recikliranju dragocenih surovin in obdelavi strupenih snovi.
 Li-Ion 	Baterije Li-Ion Ta izdelek je označen s simbolom, ki se nanaša na 'ločeno zbiranje' za vse baterijske napajalnike in baterijski napajalniki. Nato bodo reciklirane ali razstavljene, da se zmanjša škodljiv vpliv na okolje. Baterijski napajalniki vsebujejo nevarne snovi in so zato lahko nevarni za okolje in za zdravje ljudi.
	Prepovedano sežiganje
	Če se baterije nepravilno odlaga, lahko vstopijo v vodni cikel, kar pa je lahko nevarno za ekosistem. Odpadnih baterij ne odlagajte v nesortirane komulane odpadke.

## NAVODILA ZA UPORABO

### Opozorila za optimalno uporabo akumulatorske baterije

#### Opozorilo:

1. Baterijski vložek je delno napolnjen in ga je treba pred prvo uporabo povsem napolniti. Če želite zagotoviti polno kapaciteto baterije, jo pred prvo uporabo v električnem orodju v celoti napolnite v polnilniku.

2. Baterijski sklop bo počasi izgubljal svojo napetost, če ga ne hranite v polnilniku ali ga pustite dlje časa v izklopljenem polnilniku. Morda ga bo treba pred uporabo ponovno napolniti.

## ZAHTEVE ZA UPORABNIŠKI PRIROČNIK ZA BREŽIČNI IZDELEK

a) Delovanje te naprave je odvisno od naslednjih dveh pogojev:

(1) Ta naprava ne sme povzročati škodljivih motenj in

(2) ta naprava mora sprejeti vse prejete motnje, vključno s motnjami, ki lahko povzročijo neželeno delovanje.

b) Pozor: Spremembe ali modifikacije te enote, ki jih stranka, odgovorna za skladnost, izrecno ne odobri, lahko razveljavijo uporabnikovo pooblastilo za uporabo opreme.

c) OPOMBA: Ta oprema ustvarja, uporablja in lahko oddaja radiofrekvenčno energijo in lahko povzroči škodljive motnje in radijskih komunikacijah, če ni nameščena in uporabljena v skladu z navodili. Vendar ni nobenega zagotovila, da ne bo prišlo do motenj pri določeni namestitvi. Če ta oprema povzroča škodljive motnje pri radijskem ali televizijskem sprejemu, kar je mogoče ugotoviti z izklopom in vklopom opreme, uporabnika spodbujamo, da poskuša odpraviti motnje z enim ali več od naslednjih ukrepov:

- Spremenite ali premaknite sprejemno anteno.







- Povečajte razdaljo med opremo in

CyberPack lahko uporabljate z nahrbtnikom, za podrobnosti glejte priročnik za nahrbtnik.

Ko se med polnjenjem baterijskega sklopa na polnilniku ali ob uporabi na napravi pojavijo napake zaradi prekomernega praznjenja, prekomernega polnjenja, previsoke temperature in nizke temperature, bo uporabnik takoj prejel sporočilo o napaki, polnilnik ali naprava pa bosta ustavila polnjenje ali delo.

Litij-ionsko baterijo lahko kadar koli napolnite, ne da bi zmanjšali njeno življenjsko dobo. Prekinitev postopka polnjenja ne poškoduje baterije.

Raven napoljenosti baterije lahko ugotovite iz indikatorne lučke baterije, tako da pritisnete gumb za preizkus napajanja. Pred zagonom ali po uporabi pritisnite gumb za preizkus napajanja na baterijskem sklopu, da preverite stanje napoljenosti baterije.

Opombe	LEDlučka	Stanje baterije
Sveti pet zelenih lučk.		$80\% \leq$ nivo napoljenosti $\leq 100\%$
Svetijo štiri zelene lučke.		$60\% \leq$ nivo napoljenosti $< 80\%$
Svetijo tri zelene lučke.		$40\% \leq$ nivo napoljenosti $< 60\%$
Svetita dve zeleni lučki.		$20\% \leq$ nivo napoljenosti $< 40\%$
Sveti ena zelena lučka.		$10\% \leq$ nivo napoljenosti $< 20\%$
Ena zelena lučka utripa.		$0\% \leq$ nivo napoljenosti $< 10\%$

Ustrezno stanje baterije lahko ugotovite prek stanja indikatorne lučke Bluetooth in indikatorne lučke za napako.

Opombe	Stanje baterije
Indikatorna lučka Bluetooth sveti.	Bluetooth je povezan.

Indikatorna lučka Bluetooth ne sveti.	Bluetooth ni povezan.
Indikatorna lučka za napako sveti.	Okvara baterije, prepoved polnjenja in praznjenja.
Indikatorna lučka za napako ne sveti.	To je običajno.

Ko baterijski sklop odpove, zasveti indikator za napako, prek aplikacije pa si lahko ogledate konkreten vzrok napake in rešitev.

## POLNJENJE AKUMULATORJA

Upoštevajte navodila, ki so bila priložena polnilniku.

## SHRANJEVANJE

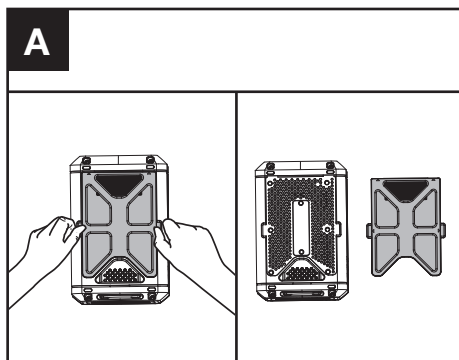
Akumulatorsko baterijo skladiščite samo v temperaturnem območju od  $5^{\circ}\text{C}$  do  $25^{\circ}\text{C}$ . Če je baterija dlje časa zunaj polnilnika ali v izključenem polnilniku, še vedno dosega razmeroma visok nivo napoljenosti. Bistveno krajši čas delovanja po polnjenju pomeni, da je akumulatorska baterija izrabljena in da jo je potrebno zamenjati.

## TRANSPORT

Priložene litij-ionske akumulatorske baterije so podvržene zahtevam zakona o nevarnih snoveh. Uporabnik lahko akumulatorske baterije brez nadaljnjih pogojev transportina na cesti. Akumulatorske baterije pošiljajte samo, če je ohišje nepoškodovano. Zapakirajte jih tako, da se v embalaži ne bodo mogli premikati.

## VZDRŽEVANJE IN SERVISIRANJE

Zračne reže akumulatorske baterije občasno očistite z mehkim, čistim in suhim čopičem. Ko je filter za prah na bateriji zamašen, ga je treba odstraniti in sprati z vodo. Po sušenju vstavite filter za prah nazaj v baterijo. Če je filter za prah poškodovan, ga pravočasno zamenjajte, da zaščitite baterijo. (Glejte sliko A)



Če akumulatorska baterija ne deluje, se prosimo obrnite na pooblaščen servis za električna orodja Kress.

## TEHNIČNI PODATKI

	KAC804
Napetost	60 V  MAX*
Kapaciteta baterije	4.0 Ah
Priporočeno okolje Temperatura za polnjenje	-5~45 °C
Optimalna temperatura shranjevanja v uporabi	5~25 °C
Teža baterije	3 kg
Stopnja zaščite	IPX5
Frekvenčni pasovi za Bluetooth	2400-2483.5 MHz
Največja oddana moč za Bluetooth	8 dBm

\* Napetost je bila izmerjena brez obremenitve. Začetna napetost akumulatorja doseže maksimum 60 V. Običajna napetost je 54 V.

## VAROVANJE OKOLJA

Odpadnih električnih naprav ne smete zavreči skupaj z ostalimi gospodinjstskimi odpadki. Dostavite jih na mesto za ločeno zbiranje odpadkov. Glede podrobnosti, se posvetujte z lokalno službo za ravnanje z odpadki.

## IZJAVA O SKLADNOSTI

Mi,  
Positec Germany GmbH  
Postfach 32 02 16, 50796 Cologne, Germany

Izjavljamo, da je izdelek,  
Opis izdelka **Sklop baterije**  
Vrsta izdelka **KAC804**  
Namen uporabe **Zagotovite energijo za električna orodja, vrtna orodja in podobne izdelke**

Skladen z naslednjimi direktivami:  
**2006/66/EC & 2013/56/EU, 2014/53/EU, 2011/65/EU & (EU) 2015/863**

In izpolnjuje naslednje standarde,  
**EN 62133-2,**  
**EN 300328,**  
**EN 301489-1/-17,**  
**EN 50663**

Oseba, ki je pooblaščen za skladnost tehnične dokumentacije,

Ime **Marcel Filz**  
Naslov **Positec Germany GmbH**  
Postfach 32 02 16, 50796 Cologne, Germany



2022/12/06  
Allen Ding  
Namestnik načelnika inženir, Testiranje in certificiranje  
Positec Technology (China) Co., Ltd  
18, Dongwang Road, Suzhou Industrial Park, Jiangsu 215123, P. R. China

# SADRŽAJ

Uvod.....	85
Popis komponenti.....	86
Sigurnost proizvoda.....	87
Upute za upotrebu.....	88
Punjenje baterije.....	89
Skladištenje.....	89
Transport.....	89
Održavanje i servisiranje.....	89
Tehnički podaci.....	90
Zaštita okoliša.....	90
Deklaracija usklađenosti.....	90

---

HR

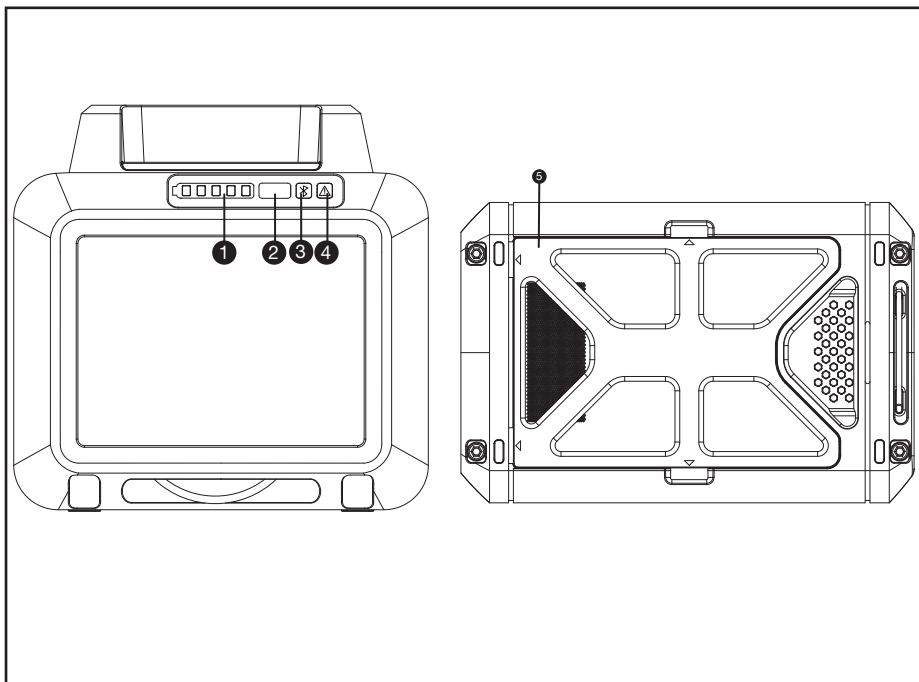
## UVOD

Poštovani,

Zahvaljujemo što ste kupili ovaj Kress Commercial proizvod. Posvećeni smo razvoju proizvoda visoke kvalitete kako bismo zadovoljili vaše zahtjeve za komercijalnim uređenjem okoliša.

Brend Kress je sinonim za vrhunsku kvalitetu usluge. Tijekom godina životnog vijeka vašeg proizvoda, ako imate bilo kakvih pitanja ili nedoumica o svom proizvodu, obratite se svom prodavaču ili našem timu za korisničku podršku za pomoć.

Uvjereni smo da ćete godinama uživati u radu sa svojim Kress proizvodom.



## POPIS KOMPONENTI

1. SVJETLO INDIKATORA BATERIJE
2. GUMB ZA TEST NAPAJANJA
3. SVJETLO INDIKATORA BLUETOOTH
4. SVJETLO INDIKATORA GREŠKE
5. FILTER ZA PRAŠINU

# SIGURNOST PROIZVODA



**UPOZORENJE:** Treba pročitati sve napomene o sigurnosti i upute. *Ako se ne bi poštivale napomene o sigurnosti i upute to bi moglo uzrokovati strujni udar, požar i/ili teške ozljede.*

**Pažljivo pročitajte upute za siguran rad stroja.**

Sačuvajte sve napomene o sigurnosti i upute za budući primjenu.

Koristite bateriju samo za bežične proizvode Kress. Pogledajte naljepnicu s oznakama i upute za upotrebu priložene uz proizvod.

## SIGURNOSNA UPOZORENJA ZA BATERIJE

- a) Bateriju nemojte rastavljati, otvarati ni trgati njezine ćelije.
- b) Bateriju nemojte kratko spajati. Nemojte nemarno ostavljati baterije u kutijama i ladicama gdje može doći do njihovog kratkog spoja prilikom kontakta s vodljivim materijalima. Kad baterija nije u upotrebi držite je podalje od drugih metalnih predmeta kao što su spajalice papira, novčići, ključevi, čavli, vijci i drugi maleni metalni predmeti koji mogu uzrokovati međusobno spajanje kontakata baterije. Kratko međusobno spajanje kontakata baterije može uzrokovati opekline i požar.
- c) Bateriju nemojte izlagati vrućini i vatri. Izbjegavajte pohranu na izravnom sunčevom svjetlu.
- d) Bateriju ne izlažite udarcima.
- e) Ako dođe do curenja baterije, pazite da tekućina ne dospije na kožu ili u oči. Ako dođe do kontakta, isperite to mjesto velikom količinom vode i potražite liječničku pomoć.
- f) Bateriju održavajte čistom i suhom.
- g) Ako se zaprljaju, kontakte baterije izbrišite čistom i suhom krpom.
- h) Bateriju treba napuniti prije upotrebe. Uvijek primijenite upute iz ovog priručnika i odgovarajući postupak punjenja.
- i) Bateriju ne ostavljajte na punjaču dok nije u upotrebi.
- j) Nakon duljih razdoblja neupotrebe možda će biti potrebno nekoliko puta napuniti i isprazniti bateriju kako bi se postigla optimalna učinkovitost.
- k) Punite samo punjačem koji preporučuje Kress. Nemojte koristiti nikakav punjač osim onog koji je izričito predviđen za uporabu s opremom.
- l) Koristite samo baterije koje su namijenjene za upotrebu uz određeni uređaj.
- m) Baterije držite izvan dohvata djece.
- n) Izvorni priručnik isporučuje uz uređaj sačuvajte za slučaj potrebe.
- o) Izvadite bateriju iz uređaja dok nije u

upotrebi.

- p) Odlažite sukladno propisima.
- q) Nemojte miješati ćelije različitih proizvođača, kapaciteta, veličine ili tipa unutar istog uređaja.
- r) Držite bateriju podalje od mikrovalnih pećnica i visokog tlaka.

## DODATNO SIGURNOSNO UPOZORENJE ZA KOMERCIJALNI BATERIJSKI MODUL

1. Baterijski modul upotrebljavajte samo za akumulatorske proizvode Kress Commercial.
2. Baterijski modul upotrebljavajte samo s punjačem baterija KAC840 ili dodatnim punjačima baterija navedenim u priručniku za rukovanje.
3. Baterijski modul upotrebljavajte samo s uređajem za napajanje KAC875E i KAC877E ili dodatnim uređajem za napajanje navedenim u priručniku za rukovanje.
4. Kako biste postigli najbolji učinak, obratite pažnju na sljedeći raspon temperature okoline, nemojte puniti, upotrebljavati ili skladištiti u slučaju prekoračenja sljedećeg raspona temperature:
  - a) Raspon temperature punjenja:  $-5^{\circ}\text{C}$ – $45^{\circ}\text{C}$
  - b) Raspon temperature pražnjenja:  $-20^{\circ}\text{C}$ – $45^{\circ}\text{C}$
  - c) Raspon temperature skladištenja:  $5^{\circ}\text{C}$ – $25^{\circ}\text{C}$
5. Kako biste smanjili opasnost od strujnog udara, požara ili eksplozije uslijed kratkog spoja:
  - a) Ako je baterija izložena kiši tijekom rada, izvadite je iz proizvoda i pustite da se osuši u unutarnjem prostoru. Provjerite je li potpuno suha prije punjenja ili ponovne uporabe.
  - b) Nemojte bateriju umakati u vodu ili druge tekućine.
  - c) Nemojte prespajati terminale baterije žicama ili drugim metalnim predmetima.
  - d) Baterijski modul treba čuvati podalje od malih provodljivih metalnih predmeta (kao što su spajalice za papir, čavli, kovanice, ključevi itd.).
  - e) Baterije čuvajte u suhoj prostoriji.
  - f) Nemojte skladištiti bateriju u vlažnom ili korozivnom okruženju, ili u okruženju koje može uzrokovati korodiranje njenih metalnih dijelova.
  - g) Štiti baterije od izlaganja korozivnim tvarima kao što su vrtlarske kemikalije i soli za odleđivanje.
  - h) Nikad nemojte držati baterije unutar električnih alata.
  - i) Pri pohranjivanju baterije, neka ona bude napunjena između 40 % do 60 % (svijetle 3 zelene lampice).
  - j) Ako se baterijski modul mora dopremiti zasebno zrakom, ne smije biti napunjen više od 30 %.
  - k) Ako pohranjujete bateriju u punjaču, odspojite punjač iz utičnice.

l) Ne pokušavajte popraviti, otvoriti ili rastaviti bateriju. Unutra nema dijelova koje može servisirati korisnik.

m) Kako bi se smanjio rizik od ozljeda uslijed slučajne aktivacije, uvijek izvadite bateriju prije sastavljanja, prijevoza, podešavanja, čišćenja, servisiranja ili skladištenja električnog alata.

6. Zapaljenje baterije je opasno. Kako bi se smanjio rizik od ozljede i oštećenja imovine u slučaju požara:

a) Evakuirajte područje. Vatra se može brzo proširiti. Držite se podalje od bilo kojeg proizvedenog plina i para, te budite na sigurnoj udaljenosti.

b) Obratite se vatrogascima.

c) Dok se voda može upotrijebiti za gašenje zapaljenih baterija, najbolje je koristiti i višenamjenski suhi kemijski aparat za gašenje požara.

d) Konzultirajte se s vatrogascima radi pravilnog zbrinjavanja izgorjelih baterija.

7. Istjecanje baterijske tekućine može uzrokovati iritaciju kože i očiju ili kemijske opekline.

a) Izbjegavajte kontakt s kožom i očima.

b) Ako tekućina dođe u oči: Nemojte trljati. Otvorene oči ispirite vodom najmanje 15 minuta i potražite savjet liječnika.

c) U slučaju slučajnog kontakta, odmah i temeljito isperite područje kontakta blagim sapunom i vodom.







d) Upotrijebite inertni upijač kao što je pijesak na prolijevnoj tekućini.

- Povećajte udaljenost između opreme i prijemnika.

- Spojite opremu u utičnicu na strujnom krugu različitom od onog na koji je spojen prijemnik.

- Obratite se trgovcu ili iskusnom radio/TV tehničaru za pomoć.

## SIMBOLI

 	Zbrinjavanje na ekološki prihvatljiv način Stari električni uređaji ne smiju se odlagati zajedno s preostalim otpadom, već se moraju odlagati zasebno. Zbrinjavanje na komunalnom sabirnom mjestu putem privatnih osoba je besplatno. Vlasnik starih uređaja odgovoran je za donošenje uređaja na ova sabirna mjesta ili na slična mjesta prikupljanja. Uz malo osobnog truda, pridonosite recikliranju vrijednih sirovina i obradi otrovnih tvari.
 Li-Ion 	Litij-ionska baterija. Ovaj proizvod je označen simbolom koji označava „odvojeno prikupljanje“ za sve akumulatore i baterije. Zatim će se reciklirati ili rastaviti da se smanji utjecaj na okoliš. Baterije mogu biti opasne za okoliš i za ljudsko zdravlje jer sadrže opasne tvari.
	Nemojte spaljivati
	Baterije mogu ući u vodeni sustav ako se nepravilno odlože u otpad, što može biti opasno za ekosustav. Nemojte odlagati prazne baterije u nerazvrstani kućanski otpad.

## ZAHTJEVI KORISNIČKOG PRIRUČNIKA ZA AKUMULATORSKI PROIZVOD

a) Rad ovog uređaja podložan je sljedeća dva uvjeta:

(1) Ovaj uređaj ne smije uzrokovati štetne smetnje, i

(2) ovaj uređaj mora prihvatiti svaku primljenu smetnju, uključujući smetnju koja može uzrokovati neželjeni rad.

b) Oprez: Promjene ili preinake na ovoj jedinici koje nije izričito odobrila strana odgovorna za sukladnost mogle bi poništiti korisničko ovlaštenje za rukovanje opremom.

c) **NAPOMENA:** Ova oprema generira, upotrebljava i može zračiti radiofrekventnu energiju i, ako se ne instalira i koristi u skladu s uputama, može uzrokovati štetne smetnje radijskim komunikacijama. Međutim, nema jamstva da se smetnje neće pojaviti u određenoj instalaciji. Ako ova oprema uzrokuje štetne smetnje radijskom ili televizijskom prijemu, što se može odrediti uključivanjem i isključivanjem opreme, korisnika se potiče da pokuša ispraviti smetnje s pomoću jedne ili više sljedećih mjera:

- Preusmjerite ili premjestite prijemnu antenu.

## UPUTE ZA UPOTREBU

**Upute za optimalno rukovanje sa aku baterijom**  
**Napomena:**

1. Vaša je baterija djelomično napunjena i treba je potpuno napuniti prije prve uporabe. Kako bi se zajamčio puni učinak akubaterije, prije prve uporabe aku-baterije, napunite je do kraja u punjaču.

2. Aku-baterija će se polako prazniti kada se dugo drži izvan punjača ili ako se ostavi u neukopčanom punjaču. Prije ponovne upotrebe može biti potrebno ponovno punjenje.







CyberPack se može koristiti s ruksakom, za detalje pogledajte priručnik za ruksak.



Kada se pojave greške zbog prekomjernog pražnjenja, prekomjernog punjenja, prekomjerne temperature i niske temperature dok se baterija puni na punjaču ili koristi na stroju, korisnik će primiti obavijest o kvaru, a punjač ili stroj će se zaustaviti puni ili radi.

Litij-ionska baterija može se puniti u bilo kojem trenutku bez smanjenja njezinog radnog vijeka. Prekid postupka punjenja ne oštećuje bateriju.

Razina napunjenosti baterije može se saznati prema svjetlu indikatora napunjenosti baterije pritiskom na tipku za testiranje napajanja. Prije početka ili nakon uporabe, pritisnite tipku za testiranje snage na bateriji kako biste provjerili kapacitet baterije.

Napomene	LED light	Stanje baterije
Svijetli pet zelenih svjetala.		80% ≤ Razina napajanja ≤ 100%
Četiri zelena svjetla su upaljena.		60% ≤ Razina napajanja < 80%
Tri zelena svjetla su upaljena.		40% ≤ Razina napajanja < 60%
Upaljena su dva zelena svjetla.		20% ≤ Razina napajanja < 40%
Jedno zeleno svjetlo svijetli.		10% ≤ Razina napajanja < 20%
Trepće jedno zeleno svjetlo.		0% ≤ Razina napajanja < 10%

Relevantni status baterije možete saznati putem statusa Bluetooth indikatorskog svjetla i indikatorskog svjetla greške.

Napomene	Stanje baterije
Bluetooth indikator svijetli.	Bluetooth je povezan.
Bluetooth indikatorska lampica ne svijetli.	Bluetooth nije povezan.
Svijetli indikator greške.	Kvar baterije, zabrana punjenja i pražnjenja.

Indikator greške ne svijetli.	Ovo je normalno.
-------------------------------	------------------

Kada se baterija pokvari, indikator kvara će zasvijetliti, a možete vidjeti konkretan uzrok kvara i rješenje putem APP-a.

## PUNJENJE BATERIJE

Pogledajte priručnik s uputama za punjač.

## SKLADIŠTENJE

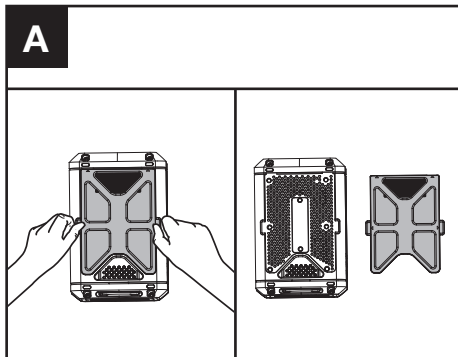
Pohranite aku-bateriju samo u prostoru temperaturnog područja od 5°C do 25°C. Kada se drži izvan punjača ili se ostavi u isključenom punjaču dulje vrijeme, baterija i dalje doseže relativno visoku razinu. Bitno skraćenje vremena rada nakon punjenja pokazuje da je aku-baterija istrošena i da je treba zamijeniti.

## TRANSPORT

Li-ionske aku-baterije ugrađene u električnom alatu podliježu zakonu o transportu opasnih tvari. Korisnik može baterije prevoziti cestom bez dodatnih zahtjeva. Aku-bateriju šaljite nekim transportnim sredstvom samo ako je njeno kućište neoštećeno. Spakirajte aku-bateriju tako da se ne može pomicati unutar pakiranja.

## ODRŽAVANJE I SERVISIRANJE

Otvore za hlađenje aku-baterije redovito čistite sa mekim, čistim i suhim kistom. Kada je filter za prašinu na bateriji začepljen, potrebno ga je ukloniti i isprati vodom. Nakon sušenja vratite filter za prašinu u bateriju. Kako biste zaštitili bateriju, ako je filter za prašinu oštećen, zamijenite ga na vrijeme. (Vidi sl. A)




Ako aku-baterija nije više radno sposobna, molimo obratite se ovlaštenom servisu za Kress električne alate.

## TEHNIČKI PODACI

	<b>KAC804</b>
Nazivni napon	60 V $\text{---}$ MAX*
Kapacitet baterije	4.0 Ah
Preporučena temperatura okoline za punjenje	-5~45 °C
Optimalna temperatura skladištenja tijekom uporabe	5~25 °C
Težina baterije	3 kg
Stupanj zaštite	IPX5
Frekvencijski pojasevi za Bluetooth	2400-2483.5 MHz
Maksimalna prijenosna snaga za Bluetooth	8 dBm

\* Napon izmjeren bez radnog opterećenja. Početni napon baterije doseže najviše 60 volti. Nazivni napon je 54 volta.

## ZAŠTITA OKOLIŠA

 Rabljeni električni proizvodi ne smiju se odlagati s kućanskim otpadom. Predajte ih na odgovarajućim reciklažnim mjestima. Savjete za reciklažu zatražite od lokalnih nadležnih tijela ili dobavljača.

## DEKLARACIJA USKLAĐENOSTI

Mi,  
Positec Germany GmbH  
Postfach 32 02 16, 50796 Cologne, Germany

Izjaviti da proizvod,  
Opis **Baterijski modul**  
Vrsta **KAC804**  
Funkcija **Osigurava energiju za električne alate, vrtno alate i slične proizvode**

Usklađeno sa sljedećim smjernicama:  
**2006/66/EC & 2013/56/EU, 2014/53/EU, 2011/65/EU & (EU) 2015/863**

Standardi usklađeni s,  
**EN 62133-2,**  
**EN 300328,**  
**EN 301489-1/-17,**  
**EN 50663**

Osoba ovlaštena za sastavljanje tehničke dokumentacije,

Ime **Marcel Filz**

Adresa **Positec Germany GmbH**

Postfach 32 02 16, 50796 Cologne, Germany




2022/12/06

Allen Ding

Zamjenik šefa inženjeringa, Testiranje i certifikacija  
Positec Technology (China) Co., Ltd  
18, Dongwang Road, Suzhou Industrial  
Park, Jiangsu 215123, P. R. China

# INDHOLDSFORTEGNELSE

Introduktion.....	91
Lista de componentes.....	92
Produktsikkerhed.....	93
Betjeningsvejledning.....	94
Opladning af batterienheden.....	95
Opbevaring.....	95
Transport.....	95
Vedligeholdelse og service.....	95
Tekniske data.....	96
Miljøbeskyttelse.....	96
Konformitetserklæring.....	96

DK

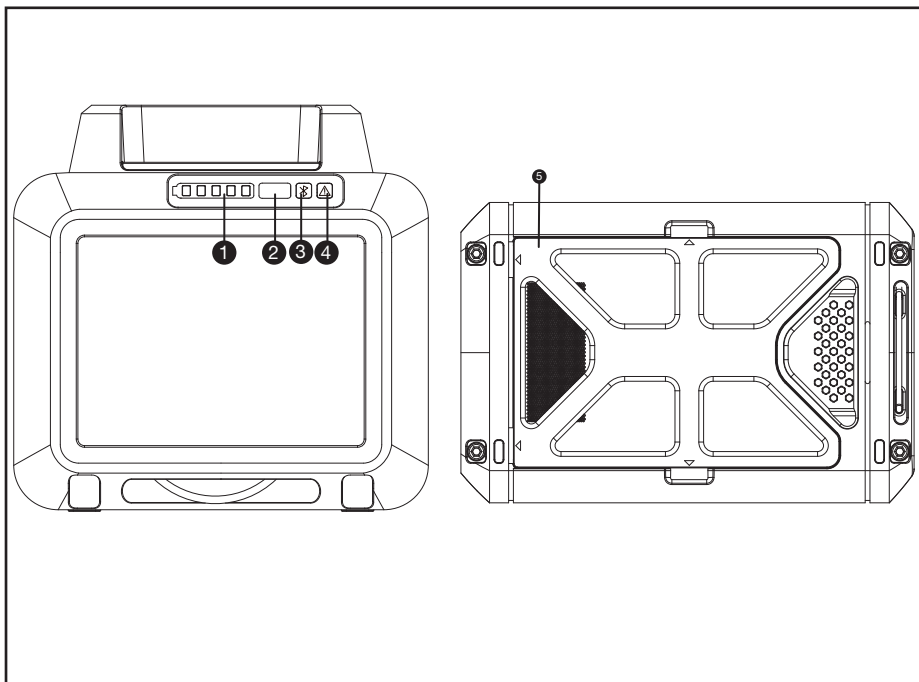
## INTRODUKTION

Kære kunde,

Tak, fordi du købte dette Kress Commercial-produkt. Vi har specialiseret os i at udvikle produkter af høj kvalitet, der dækker dine krav til din plæne og din have.

Kress-mærket står for service af førsteklasses kvalitet. Bed din lokale forhandler eller vores kundeserviceteam om hjælp, hvis du har spørgsmål om eller problemer med produktet i dets levetid.

Vi er overbeviste om, at du vil nyde at bruge dit Kress-produkt i de kommende år.



DK

## LISTA DE COMPONENTES

1. LYSINDIKATOR TIL BATTERI
2. LYSINDIKATOR TIL BATTERI
3. BLUETOOTH-INDIKATORLYS
4. FEJLINDIKATORLYS
5. STØVFILTER

# PRODUKTSIKKERHED



**ADVARSEL!**Læs samtlige anvisninger.

Manglende overholdelse af nedenstående anvisninger kan resultere i elektrisk stød, brand og/eller alvorlig personskade.

Læs omhyggeligt instruktionerne for sikker betjening af maskinen.

Gem alle advarsler og instruktioner for fremtidig reference.

Brug kun batteriet med Kress ledningsfrie produkter. Se mærkatet og brugermanualen, der kom med produktet.

## SIKKERHEDSFORSKRIFTER TIL BATTERISÆT

- a) Sekundærelementer eller batterisæt må ikke skilles ad, åbnes eller knuses.
- b) Et batterisæt må ikke kortsluttes. Batterisæt må ikke opbevares lemfældigt i en kasse eller skuffe, hvor de kan kortslutte hinanden eller kortsluttes af ledende genstande. Når batterisættet ikke er i brug, skal det holdes væk fra andre metalgenstande, såsom papirclips, mønter, nøgler, søm, skruer eller andre små metalgenstande, der kan skabe en forbindelse fra en pol til en anden, Kortslutning af batteripoler kan medføre forbrændinger eller brand.
- c) Batterisæt må ikke udsættes for varme eller ild. Må ikke opbevares i direkte sollys.
- d) Batterisæt må ikke udsættes for mekaniske stød.
- e) I tilfælde af at et batteri lækker, må væsken ikke komme i kontakt med huden eller øjne. Hvis der er sket kontakt, skal det berørte område vaskes med rigelige mængder vand, hvorefter der søges lægehjælp.
- f) Opbevar batterisæt på et rent og tørt sted.
- g) Aftør batterisættets poler med en tør klud, hvis de bliver snavsede.
- h) Batterisæt skal oplades før anvendelsen. Anvend altid den korrekte oplader, og læs producentens anvisninger eller brugervejledning for, hvordan batterierne oplades korrekt.
- i) Et batterisæt må ikke efterlades til opladning i længere tid, hvis det ikke anvendes.
- j) Efter længere opbevaringsperioder kan det være nødvendigt at oplade eller aflade batterisættet flere gange for at opnå den optimale ydelse.
- k) Genoplad kun med laderen specificeret af Kress. Anvend ingen anden oplader end den, der specifikt er beregnet til brug med udstyret.
- l) Brug kun det korrekte batteri til udstyret.
- m) Batterisættet skal opbevares utilgængeligt for børn.
- n) Opbevar den originale produktlitteratur til fremtidig brug.

- o) Batterisættet skal fjernes fra udstyret, når det ikke er i brug.
- p) Bortskaffes på en miljørigtig måde.
- q) Bland ikke batterier af forskellig fremstilling, kapacitet, størrelse eller type i enheden.
- r) Hold batteriet væk fra mikrobølgeovne og højt tryk.

## YDERLIGERE SIKKERHEDSADVARSLER FOR KOMMERCIEL BATTERIPAKKE

1. Brug kun batteripakken til kommercielle, ledningsfrie produkter fra Kress.
2. Brug kun batteripakken sammen med KAC840 batteriopladeren eller de opladere, der er angivet i brugervejledningen.
3. Brug kun batteripakken sammen med KAC875E og KAC877E batteriopladerne eller de opladere, der er angivet i brugervejledningen.
4. For at få den bedste ydelse skal du være opmærksom på følgende niveauer for omgivende temperaturer; undgå opladning, brug eller opbevaring, så følgende temperaturintervaller ikke overskrides:
  - a) Temperaturinterval for opladning: -5°C~45°C
  - b) Temperaturinterval for afladning: -20°C~45°C
  - c) Temperaturinterval for opbevaring: 5°C~25°C
5. Reducere risikoen for elektrisk stød, brand og eksplosion på grund af kortslutning:
  - a) Hvis batteriet udsættes for regn under brug, skal det tages ud af maskinen og tørres indendørs. Sørg for, at batteriet er helt tørt før det genoplades eller bruges igen.
  - b) Batteriet må ikke komme i vand eller andre væsker.
  - c) Undgå at kortslutte batteriets poler med ledninger eller andre metalgenstande.
  - d) Batteripakken skal holdes borte fra små, ledende metalgenstande (såsom papirclips, søm, skruer, mønter, nøgler, osv.).
  - e) Oplad batterier indendørs i et tørt lokale.
  - f) Opbevar ikke batterier i fugtige eller korroderende omgivelser eller under forhold, der kan få batteriets metaldele til at korrodere.
  - g) Beskyt batterier mod at blive udsat for korroderende stoffer såsom plantebeskyttelsesmidler og tørsalt.
  - h) Opbevar aldrig batterier i selve elværktojerne.
  - i) Ved opbevaring af batteriet skal det holdes opladt mellem 40 og 60 % (3 grønne lysdioder tændt).
  - j) Hvis batteripakken skal sendes separat som luftfragt, må opladningen ikke være over 30 %.
  - k) Hvis batteriet opbevares i opladeren, skal opladeren være frakoblet lysnettet.
  - l) Prøv ikke at reparere, åbne eller at adskille batteriet. Der er ingen servicerbare dele i det.
  - m) Reducere risikoen for personskade fra utilsigtet aktivering ved altid at tage batteriet

ud af værktøjer før de samles, transporteres, justeres, renses, serviceres eller opbevares.

6. Brand i et batteri kan være farligt. Reducere risikoen for alvorlig personskade og skade på ejendom i tilfælde af brand ved at:
- Evakuere området. Brand kan brede sig hurtigt. Hold sikker afstand til eventuelle gasser og dampe.
  - Kontakt brandvæsenet.
  - Vand kan bruges som slukningsmiddel ved batteribrande, men det er bedst at bruge et universal-slukningsmiddel.
  - Kontakt brandvæsenet med henblik på bortskaffelse af brandskadede batterier.
7. Væsker der trænger ud af batterier kan forårsage hud- og øjenirritation eller kemiske forbrændinger.
- Undgå kontakt med øjne og hud.
  - Hvis der kommer batterivæske i øjet: Gnid ikke i øjet. Skyl det åbne øje med rent vand i mindst 15 minutter og søg straks lægehjælp.
  - I tilfælde af utilsigtet hudkontakt vaskes kontaktområdet straks og grundigt med mild sæbe og vand.
  - Brug et inaktivt opsnagningsmiddel som fx. sand på spildt batterivæske.

## SYMBOLER



Miljøvenlig bortskaffelse. Udtjente elektriske apparater må ikke bortskaffes sammen med almindeligt affald, men skal bortskaffes separat. Afhændelse på godkendte genbrugsstationer er gratis. Ejeren af udtjente apparater er ansvarlige for at bringe dem til disse indsamlingssteder eller til lignende steder. Med denne personlige indsats bidrager du til genanvendelse af værdifulde råvarer og behandling af giftige stoffer.



Li-Ion



Li-Ion-batteri Dette produkt er mærket med et "separat indsamling" -symbol til alle batterier og batteripakker. Genanvend derefter eller fjern det for at reducere påvirkningen på miljøet. Batteripakken indeholder skadelige stoffer, der kan være skadelige for miljøet og menneskers sundhed.



Må ikke brændes



Hvis det ikke håndteres korrekt, kan batteriet muligvis komme ind i vandcyklussen, hvilket kan forårsage skade på økosystemet. Bortskaf ikke brugte batterier som usorteret kommunalt affald.

## BRUGERVEJLEDNING – KRAV TIL TRÅDLØST PRODUKT

- a) Brugen af denne enhed er underlagt følgende to betingelser:
- (1) This device may not cause harmful interference, and
  - (2) denne enhed skal acceptere enhver modtaget interferens, inklusive interferens, der kan forårsage uønsket drift.
- b) Forsigtig: Ændringer eller modifikationer af denne enhed, der ikke udtrykkeligt er accepteret af den part, der er ansvarlig for overholdelsen, kan ugyldiggøre brugerens ret til at bruge udstyret.
- c) **BEMÆRK:** Dette udstyr genererer, bruger og kan udstråle radiofrekvensenergi og kan, hvis det ikke installeres og bruges i overensstemmelse med instruktionerne, forårsage skadelig interferens i radiokommunikation. Der er dog ingen garanti for, at interferens ikke vil forekomme i en bestemt installation. Hvis dette udstyr forårsager skadelig interferens på radio- eller tv-modtagelse, hvilket kan fastslås ved at slukke og tænde for udstyret, opfordres brugeren til at forsøge at rette op på interferensen ved hjælp af en eller flere af følgende foranstaltninger:
- Drej eller flyt modtagerantennen.
  - Øg afstanden mellem udstyret og modtageren.
  - Tilslut udstyret til en stikkontakt på et andet kredsløb end det, som modtageren er tilsluttet.
  - Henvend dig til en forhandler eller en erfaren radio-/tv-tekniker for assistance.

## BETJENINGSVEJLEDNING

### Henvisninger til optimal håndtering af akkuen

#### Bemærk:

1. Din batteripakke er kun delvist opladet, og den skal oplades helt inden første ibrugtagning, or at sikre, at batteriet får fuld kapacitet, skal batteriet oplades helt i batteriopladeren, inden du bruger batteriet i en værktøjsmaskine første gang.
2. En batteripakke mister langsomt strøm, når den holdes ude af opladeren eller efterlades i en oplader, der ikke er tilsluttet, i længere tid. Batteripakken skal muligvis oplades før brug.







CyberPack kan bruges med en rygsæk. Se vejledningen til rygsækken for yderligere oplysninger.

Hvis der opstår en fejl på grund af overafledning, overopladning, overophedning eller ved brug i en lav temperatur, når batteripakken oplades i

opladeren eller bruges på maskinen, modtager brugeren en fejlmeddelelse, og opladeren stopper eller maskinen holder op med at køre.

Li-Ion-batteriet kan til hver en tid oplades, uden at dets levetid reduceres. En afbrydelse af opladningsproceduren beskadiger ikke batteriet.

Batteriniveauet kan ses på batteriindikatorlyset ved at trykke på strømtestknappen. Inden produktet startes eller efter brug, skal du trykke på strømtestknappen på batteripakken for at se batteriniveauet.

Bemærkninger	LED-lys	Batteritilstand
Fem grønne lys er tændt.		80% ≤ Effektniveau ≤ 100%
Fire grønne lys er tændt.		60% ≤ Effektniveau < 80%
Tre grønne lys er tændt.		40% ≤ Effektniveau < 60%
To grønne lys er tændt.		20% ≤ Effektniveau < 40%
Et grønt lys er tændt.		10% ≤ Effektniveau < 20%
Et grønt lys blinker.		0% ≤ Effektniveau < 10%

Du kan se batteriets status med Bluetooth-indikatorlyset og fejlindikatorlyset.

Bemærkninger	Batteritilstand
Bluetooth-indikatorlyset lyser.	Bluetooth er forbundet.
Bluetooth-indikatorlyset lyser ikke.	Bluetooth er ikke forbundet.
Fejlindikatorlyset lyser.	Batterifejl. Batteriet må ikke oplades eller aflades.
Fejlindikatorlyset lyser ikke.	Dette er normalt.

Hvis batteripakken holder op med at virke, lyser

fejlindikatorlyset. Årsagen til fejlen og eventuelle løsninger kan findes i appen.

## OPLADNING AF BATTERIENHEDEN

Se brugermanualen, der kom med opladeren.

## OPBEVARING

Opbevar kun akkuen i et temperaturområde mellem 5°C og 25°C.

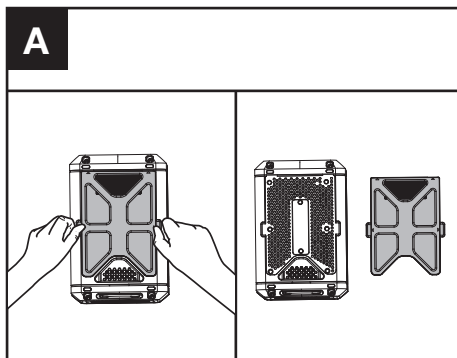
Når batteriet opbevares i lang tid uden for opladeren eller i en slukket oplader, vil batteriet fortsat have et relativt højt opladningsniveau. Når driftstiden pr. opladning forkortes væsentligt, er det tegn på, at akkuerneer slidt op og skal udskiftes.

## TRANSPORT

De indeholdte Li-Ion-akkuer overholder bestemmelserne om farligt gods. Akkuerne kan transporteres af brugeren på offentlig vej uden yderligere pålæg. Send kun akkuer, hvis huset er ubeskadiget. Pak batterierne på en sådan måde, at de ikke rasler rundt i pakken.


## VEDLIGEHOLDELSE OG SERVICE

Rengør akkuens ventilationsåbninger en gang imellem med en blød, ren og tør pensel. Hvis støvfilteret på batteriet tilstoppes, skal det rengøres og skylles med vand. Når støvfiltret er tørt, skal du sætte det i batteriet igen. For at beskytte batteriet skal støvfilteret skiftes straks, hvis det beskadiges. (Se fig. A)




Når akkuen ikke fungerer mere, bedes du kontakte et autoriseret serviceværksted for Kress el-værktøj.


## TEKNISKE DATA

	<b>KAC804</b>
Spænding	60 V  MAX*
Batterikapacitet	4.0 Ah
Anbefalet omgivelsesmiljø Temperatur ved opladning	-5~45 °C
Optimal opbevaringstemperatur ved brug	5~25 °C
Batterivægt	3 kg
Grad af beskyttelse	IPX5
Frekvensbånd for Bluetooth	2400-2483.5 MHz
Maksimalt transmitteret effekt for Bluetooth	8 dBm

\* Spændingen er målt uden arbejdsbelastning. Den indledende batterispænding når maksimalt op på 60 volt. Nominel spænding er 54 volt.

## MILJØBESKYTTELSE

 Affald af elektriske produkter må ikke bortskaffes sammen med husholdningsaffald.

 Indlever så vidt muligt produktet til genbrug.

Kontakt de lokale myndigheder eller forhandleren, hvis du er i tvivl.

## KONFORMITETSERKLÆRING

Vi,  
Positec Germany GmbH  
Postfach 32 02 16, 50796 Cologne, Germany

Erklærer herved, at produktet,  
Beskrivelse **Batteripakke**  
Type **KAC804**  
Funktion **Skaffer energi til ledningsfri værktøjer, haveredskaber og lignende produkter**

Er i overensstemmelse med følgende direktiver:  
**2006/66/EC & 2013/56/EU, 2014/53/EU, 2011/65/EU & (EU) 2015/863**

Standarder i overensstemmelse med,  
**EN 62133-2,**  
**EN 300328,**  
**EN 301489-1/-17,**  
**EN 50663**

Personen, autoriseret til at udarbejde den tekniske fil,

**Navn Marcel Filz**  
**Adresse Positec Germany GmbH**  
**Postfach 32 02 16, 50796 Cologne, Germany**



2022/12/06  
Allen Ding  
Vicechef; Ingeniør, Test & Certificering  
Positec Technology (China) Co., Ltd  
18, Dongwang Road, Suzhou Industrial  
Park, Jiangsu 215123, P. R. China



# SISÄLLYSLUETTELO

Johdanto.....	97
Komponenttiluettelo.....	98
Tuoteturvallisuus.....	99
Käyttöohjeet.....	100
Kuinka akkupakkaus ladataan.....	101
Varastointi.....	101
Kuljetus.....	101
Hoito ja huolto.....	101
Tekniset tiedot.....	102
Ympäristönsuojelu.....	102
Vaatimustenmukaisuusvakuutus.....	102

FIN

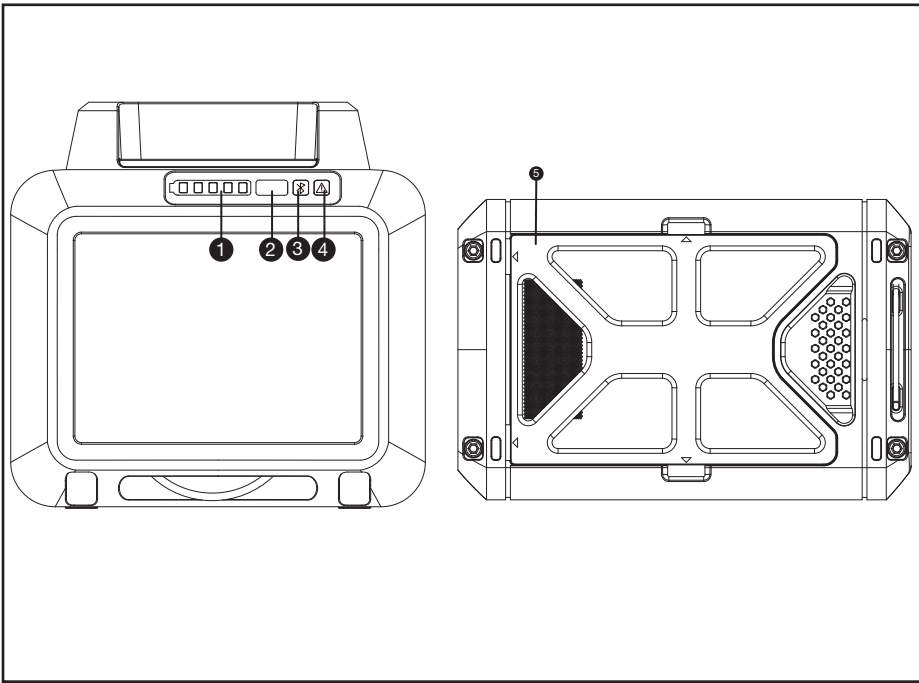
## JOHDANTO

Hyvä asiakas,

Kiitos, että olet ostanut tämän Kress Commercial-tuotteen. Olemme omistautuneet kehittämään korkealaatuisia tuotteita, jotka täyttävät kaupallisen maisemoinnin vaatimukset.

Kress-tuotemerkki on synonyymi korkealaatuiselle palvelulle. Jos sinulla on kysyttävää tai huolenaiheita tuotteestasi vuosien kuluessa, ota yhteyttä kauppiaseesi tai asiakaspalvelutiimiimme saadaksesi apua.

Olemme vakuuttuneita siitä, että nautit työskentelystä Kress-tuotteesi kanssa tulevien vuosien ajan.



FIN

## KOMPONENTTILUETTELO

1. AKUN MERKKIVALO
2. VIRRAN TESTAUSPAINIKE
3. BLUETOOTHIN MERKKIVALO
4. VIAN MERKKIVALO
5. PÖLYSUODATIN

# TUOTETURVALLISUUS



**VAROITUS!** Lue kaikki ohjeet. Varoitusten ja ohjeiden noudattamatta jättämisestä voi olla seurauksena sähköisku, tulipalo ja/tai vakava tapaturma.

Lue huolellisesti koneen turvallista käyttöä koskevat ohjeet.

Tallenna kaikki varoitukset ja ohjeet myöhempiä käyttöä varten.

Käytä akkupakkausta vain johdottomissa Kress-tuotteissa. Katso tuotteen merkintä ja mukana toimitettu käyttöopas.

## AKUN TURVAOHJEET

- a) Älä pura, avaa tai revi nappiparistoja tai akkua.
- b) Älä aiheuta akkuun oikosulkuja. Älä säilytä akkuja sattumanvaraisesti laatikossa tai kaapissa, jossa ne voivat joutua oikosulkuun toistensa tai muiden metalliesineiden kanssa. Kun akku ei ole käytössä, pidä se kaukana muista metalliesineistä, kuten paperiliittimistä, kolikoista, avaimista, nauloista, ruuveista tai muista pienistä metalliesineistä, jotka voivat muodostaa yhteyden päätteiden välille. Akkujen päätteiden yhteiset oikosulut voivat aiheuttaa palovammoja tai tulipalon.
- c) Älä altista akkua kuumuudelle tai tulelle. Älä säilytä sitä suorassa auringonvalossa.
- d) Älä kohdista akkuun mekaanisia iskuja.
- e) Jos paristo vuotaa, älä päästä nestettä kosketuksiin ihon tai silmien kanssa. Jos näin käy, huuhtelee kosketusalue runsaalla vedellä ja hakeudu lääkärin hoitoon.
- f) Pidä akku puhtaana ja kuivana.
- g) Pyyhi akun päätteet puhtaalla, kuivalla liinalla, jos ne ovat likaantuneet.
- h) Akku on ladattava ennen käyttöä. Käytä aina oikeaa laturia ja oikeita latausmenetelmiä.
- i) Älä jätä akkua ladattavaksi pitkään, jos sitä ei käytetä.
- j) Pitkän varastointiajan jälkeen voi olla välttämätöntä ladata ja purkaa akku useita kertoja maksimaalisen suorituskyvyn saavuttamiseksi.
- k) Lataa vain Kress in määrittelemällä laturilla. Älä käytä mitään muuta kuin laitteen toimitukseen kuuluvaa laturia.
- l) Älä käytä mitään akkua, jota ei ole suunniteltu käytettäväksi kyseisessä laitteistossa.
- m) Pidä akku lasten ulottumattomissa.
- n) Säilytä tuotteen alkuperäiset asiakirjat tulevaa käyttöä varten.
- o) Poista akku laitteesta, kun laitetta ei käytetä.
- p) Hävitä käytetty akku oikein.
- q) Älä sekoita laitteeseen eri valmistuksen, kapasiteetin, koon tai tyypin paristoja.
- r) Pidä akku poissa mikroaaltojen ja korkean paineen vaikutusalueelta.

## KAUPALLISTA AKKUYKSIKKÖÄ KOSKEVA YLIMÄÄRÄINEN TURVALLISUUSVAROITUS

1. Käytä akkuyksikköä vain Kress Commercialin johdottomissa tuotteissa.
2. Käytä akkuyksikköä vain KAC840-akkulaturin tai käyttöoppaassa lueteltujen muiden akkulatureiden kanssa.
3. Käytä akkua vain KAC875E- ja KAC877E-virtalähteen tai käyttöoppaassa luetellun muun virtalähteen kanssa.
4. Parhaan suorituskyvyn saavuttamiseksi kiinnitä huomiota seuraavaan ympäristön lämpötila-alueeseen, äläkä lataa, käytä tai säilytä laitetta, jos se ylittää seuraavan lämpötila-alueen:
  - a) Lämpötila-alue lataamiselle:  $-5^{\circ}\text{C}$ – $45^{\circ}\text{C}$
  - b) Lämpötila-alue tyhjenemiselle:  $-20^{\circ}\text{C}$ – $45^{\circ}\text{C}$
  - c) Säilytyslämpötila-alue:  $5^{\circ}\text{C}$ – $25^{\circ}\text{C}$
5. Vähentääksesi oikosulusta aiheutuvaa sähköiskun, tulipalon ja räjähdyksen vaaraa:
  - a) Jos akku altistuu sateelle käytön aikana, irrota se tuotteesta ja anna sen kuivua sisätiloissa. Varmista, että se on täysin kuiva ennen lataamista tai uudelleenkäyttöä.
  - b) Älä upota akkua veteen tai muihin nesteisiin.
  - c) Älä yhdistä akun napoja johtojen tai muiden metalliesineiden kanssa.
  - d) Akkuyksikkö on pidettävä kaukana pienistä johtavista metalliesineistä (kuten paperiliittimistä, nauloista, kolikoista, avaimista jne.).
  - e) Säilytä akkuja sisätiloissa kuivassa tilassa.
  - f) Älä säilytä akkua kosteassa tai syövyttävässä ympäristössä tai ympäristössä, joka voi aiheuttaa sen metalliosien syöymistä.
  - g) Suojaa akkuja altistumiselta syövyttävälle aineille, kuten puutarhanhoitokemikaaleille ja jään sulattamiseen tarkoitetuille suoloille.
  - h) Älä koskaan säilytä akkuja sähkötyökalujen sisällä.
  - i) Kun akkua säilytetään, sen varaus tulee pitää  $40\text{--}60\%$ :n välillä (3 vihreää valoa palaa).
  - j) Jos akkuyksikkö on lähetettävä lentoteitse erikseen, varaus voi olla enintään  $30\%$ .
  - k) Jos säilytät akkua laturissa, irrota laturi pistorasiasta.
  - l) Älä yritä korjata, avata tai purkaa akkua. Sisällä ei ole osia, joita käyttäjä voi huoltaa.
  - m) Vähentääksesi vahingossa tapahtuvasta aktivoinnista aiheutuvaa henkilövahinkojen riskiä, irrota akku aina ennen sähkötyökalun kokoamista, kuljettamista, säätämistä, puhdistamista, huoltoa tai varastointia.
6. Akun palaminen on vaarallista. Vähentääksesi vakavien henkilövahinkojen ja omaisuusvahinkojen riskiä palon sattuessa:
  - a) Evakuoi alue. Tulipalot voivat levitä nopeasti. Pysy kaukana syntyvistä kaasuisista ja höyryistä, ja pidä turvallinen etäisyys palavaan akkuun.
  - b) Ota yhteys palokuntaan.
  - c) Vaikka akkupalojen sammuttamiseen voidaan

käyttää vettä, on parasta käyttää monikäyttöistä kuivakemikaalisammutinta.

d) Kysy palaneiden akkujen asianmukaisesta hävittämisestä palo-osastolta.

7. Vuotava akkuneste voi aiheuttaa ihon ja silmien ärsytystä tai kemiallisia palovammoja.

a) Vältä kosketusta ihon ja silmien kanssa.

b) Jos nestettä joutuu silmiin: Älä hiero akkunestettä silmiin. Huuhtele avoimia silmiä vedellä vähintään 15 minuutin ajan ja hakeudu lääketieteelliseen hoitoon.

c) Jos tuote joutuu vahingossa kosketuksiin kehosi kanssa, pese kosketusalue välittömästi ja perusteellisesti miedolla saippualla ja vedellä.

d) Laita inerttiä imeytysainetta, kuten hiekkaa, kaatuneen nesteen päälle.

## LANGATTOMAN TUOTTEEN KÄYTTÖOPPAAN VAATIMUKSET

a) Tämän laitteen käyttö edellyttää seuraavia kahta ehtoa:

(1) Tämä laite ei saa aiheuttaa haitallisia häiriöitä, ja

(2) tämän laitteen on hyväksyttävä kaikki vastaanotetut häiriöt, mukaan lukien häiriöt, jotka voivat aiheuttaa ei-toivottua toimintaa.

b) Varoitus: Muutokset tähän laitteeseen, joita vaatimustenmukaisuudesta vastaava taho ei ole nimenomaisesti hyväksynyt, voivat mitätöidä käyttäjän oikeuden käyttää laitetta.

c) HUOMAA: Tämä laite tuottaa, käyttää ja voi säteillä radiotaajuusenergiaa, ja jos sitä ei asenneta ja käytetä ohjeiden mukaisesti, se voi aiheuttaa haitallisia häiriöitä radioviestintään. Ei kuitenkaan ole mitään takeita siitä, ettei häiriöitä esiinny. Jos tämä laite aiheuttaa haitallisia häiriöitä radio- tai televisiovastaanotossa, mikä voidaan todeta kytkemällä laite pois päältä ja päälle, käyttäjää kehoitetaan yrittämään korjata häiriöt yhdellä tai useammalla seuraavista toimenpiteistä:

- Suuntaa vastaanottoantenni uudelleen tai siirrä se muualle.

- Lisää laitteen ja vastaanottimen välistä etäisyyttä.

- Kytke laite pistorasiaan, jonka virtapiiri on eri kuin se, johon vastaanotin on kytketty.

- Kysy apua jälleenmyyjältä tai kokeneelta radio-/tv-tekniikalta.

## SYMBOLIT

	Ympäristöystävällinen hävittäminen. Vanhoja sähkölaitteita ei saa hävittää tavallisen kotijätteen mukana, vaan ne on hävitettävä erikseen. Yksityishenkilöiden kautta tapahtuva jätehuolto yhteisessä keräyspisteessä on maksutonta. Vanhojen laitteiden omistaja on velvollinen tuomaan laitteet tällaisiin tai tällaisia vastaaviin keräyspisteisiin. Tällä pienellä henkilökohtaisella panostuksella edistät arvokkaiden raaka-aineiden kierrätystä ja myrkyllisten aineiden käsittelyä.
 Li-Ion	Litiumioniakku Tämä tuote on merkitty symbolilla, joka liittyy kaikkien akkujen ja akkujen "erilliseen keräämiseen". Sitten se kierrätetään tai poistetaan ympäristövaikutusten vähentämiseksi. Akku saattaa olla haitallista ympäristölle ja ihmisten terveydelle, koska se sisältää haitallisia aineita.
	Älä hävitä tullaessa
	Akkujen sisältö voi joutua veden kiertoön, jos ne hävitetään virheellisesti. Älä hävitä akkuja lajittelemattomana kotitalousjätteenä.

## KÄYTTÖOHJEET

**Ohjeita akun optimaaliseen käsittelyyn**  
**Ohje:**

1. Akkusi on ladattu osittain ja se täytyy ladata täyteen ennen ensimmäistä käyttökertaa. Jotta akun täysi teho voitaisiin taata, tulee akku ennen ensimmäistä käyttöönottoa ladata täyteen latauslaitteessa.







2. Akkuyksikkö menettää hitaasti latauksensa, jos sitä pidetään poissa laturista tai jos se jätetään pistorasiaan kytkemättömään laturiin. Se täytyy ehkä ladata uudelleen ennen käyttöä.

CyberPackia voi käyttää myös repun kanssa. Katso reppumallin ohjekirjasta lisätietoa.

Kun ylipurkautumisen, yliilatauksen, ylikuumentumisen ja alhaisen lämpötilan viat ilmenevät akun ollessa latauksessa laturissa tai käytössä laitteessa, käyttäjälle tulee virheilmoitus ja laturi tai laite lopettaa toimintansa.

Litiumioniakku voidaan ladata milloin vain ilman käyttöiän lyhenemistä. Latauksen keskeyttäminen ei vaurioita akkua.

Akun varaustilan näkee akun merkkivalosta painamalla virran testauspainiketta. Tarkista akun kapasiteetti painamalla akun päällä olevaa virran testauspainiketta ennen käytön aloittamista tai käytön jälkeen.

Havainto	LED-valo	Akun tila
Viisi vihreää valoa ovat syttyneet.		$80\% \leq \text{Tehotaso} \leq 100\%$
Neljä vihreää valoa ovat syttyneet.		$60\% \leq \text{Tehotaso} < 80\%$
Kolme vihreää valoa ovat syttyneet.		$40\% \leq \text{Tehotaso} < 60\%$
Kaksi vihreää valoa ovat syttyneet.		$20\% \leq \text{Tehotaso} < 40\%$
Yksi vihreä valo on syttynyt.		$10\% \leq \text{Tehotaso} < 20\%$
Yksi vihreä valo vilkkuu.		$0\% \leq \text{Tehotaso} < 10\%$

Akun asianmukaisen tilan saat selville Bluetoothin merkkivalosta sekä vian merkkivalosta.

Havainto	Akun tila
Bluetoothin merkkivalo palaa.	Bluetooth on kytketty.
Bluetoothin merkkivalo ei pala.	Bluetooth ei ole kytketty.
Vian merkkivalo palaa.	Häiriö akussa, latauksen ja purkautumisen esto.
Vian merkkivalo ei pala.	Kaikki on kunnossa.

Kun akkuun tulee vika, vian merkkivalo syttyy. Voit tarkastaa vian täsmällisen syyn ja ratkaisun siihen sovelluksestamme.

## KUINKA AKKUPAKKAUS LADATAAN

Tarkasta tiedot laturin käyttöohjeesta.

## VARASTOINTI

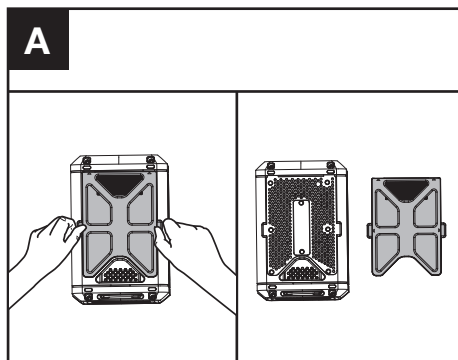
Varastoi akku vain lämpötila-alueella  $5^{\circ}\text{C}$  ja  $25^{\circ}\text{C}$ . Vaikka akkua ei kytketä laturiin tai sitä pidetään pistorasiasta irti olevassa laturissa, akku säilyttää silti suhteellisen korkean varaustilan. Laitteen huomattavasti lyhentynyt käyttöikä latauksen jälkeen osoittaa, että akku on loppuunkäytetty ja täytyy vaihtaa uuteen.

## KULJETUS

Toimitukseen kuuluvat litiumioniakut ovat vaara-ainelain määräysten alaisia. Käyttäjää voi kuljettaa akkuja maanteillä ilman lisävaatimuksia. Lähetä akkuja ainoastaan, jos kotelo on vaurioitumaton. Pakkaa akut siten, etteivät ne pääse liikkumaan pakkauksessa.


## HOITO JA HUOLTO

Puhdista akun tuuletusaukot silloin tällöin pehmeällä, puhtaalla ja kuivalla siveltimellä. Kun akun pölysuodatin on tukossa, se tulee irrottaa ja huuhtoa vedellä. Laita pölysuodatin kuivauksen jälkeen takaisin akkuun. Jotta akku ei vahingoitu, vaihda vioitunut pölysuodatin ajoissa. (Katso kuva A)





JKun akku ei enää toimi, ota yhteys Kress-sähkötyökalujen valtuutettuun huoltoliikkeeseen.

## TEKNISET TIEDOT

	<b>KAC804</b>
Nimellisjännite	60 V  MAX*
Akun kapasiteetti	4,0 Ah
Suosittelun ympäristön lämpötila lataukselle	-5~45 °C
Optimaalinen varastointilämpötila käytössä	5~25 °C
Akun paino	3 kg
IP-luokitus	IPX5
Bluetooth-taajuusalueet	2400-2483.5 MHz
Bluetoothin suurin lähetysteho	8 dBm

\* Jännite mitattu ilman kuormitusta. Alkuperäinen akun jännite ylittää enintään 60 volttiin. Nimellisjännite on 54 volttia.

## YMPÄRISTÖNSUOJELU

 Elektroniiikkaromua ei saa hävittää kotitalousjätteen mukana. Toimita  elektroniikkaromu asianmukaisiin keräyspisteisiin. Kysy kierrätysohjeita paikallisviranomaisilta tai jälleenmyyjältä.

## VAATIMUSTENMUKAISUUSVAKUUTUS

Me,  
Positec Germany GmbH  
Postfach 32 02 16, 50796 Cologne, Germany

Ilmoita, että tuote,  
Kuvaus **Akkuyksikkö**  
Tyyppi **KAC804**  
Tehtävä **Tuo energiaa sähkötyökaluille, puutarhatyökaluille ja vastaaville tuotteille**

On seuraavien direktiivien mukainen:  
**2006/66/EC & 2013/56/EU, 2014/53/EU, 2011/65/EU & (EU) 2015/863**

Standards conform to,  
**EN 62133-2,**  
**EN 300328,**  
**EN 301489-1/-17,**  
**EN 50663**

Henkilö, joka on valtuutettu laatimaan teknisen tiedoston,

**Nimi Marcel Filz**  
**Osoite Positec Germany GmbH**  
**Postfach 32 02 16, 50796 Cologne, Germany**

2022/12/06  
Allen Ding  
Apulais Pääinsinööri, testaus ja sertifiointi  
Positec Technology (China) Co., Ltd  
18, Dongwang Road, Suzhou Industrial  
Park, Jiangsu 215123, P. R. China

# INNHOLDFORTEGNELSE

Introduksjon.....	103
Komponentliste.....	104
Produktsikkerhet.....	105
Driftsinstrukser.....	106
Lading av batteripakken.....	107
Lagring.....	107
Transport.....	107
Service og vedlikehold.....	107
Tekniske data.....	108
Miljøverntiltak.....	108
Samsvarserklæring.....	108

NOR

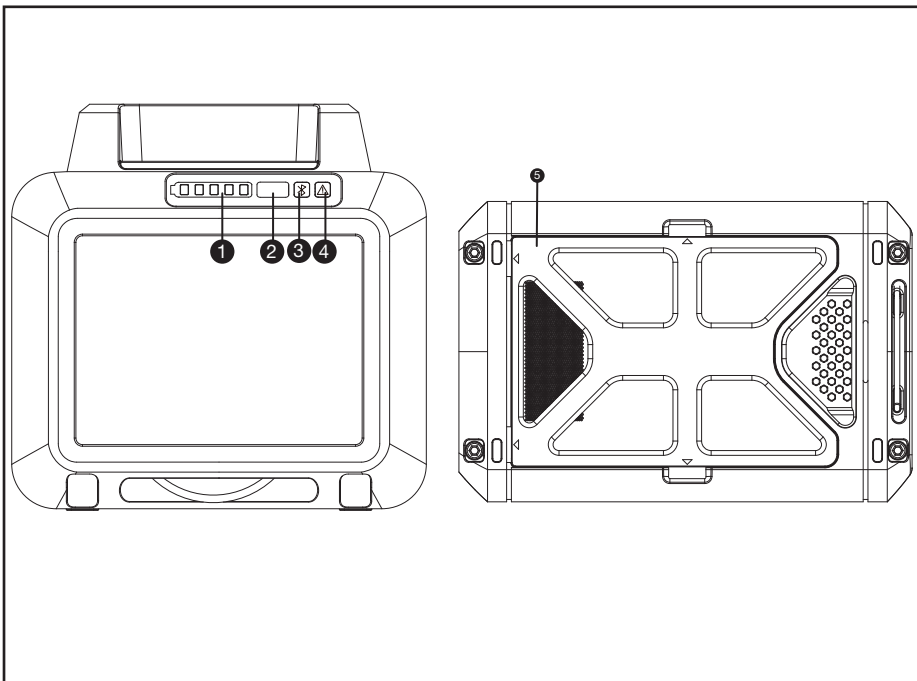
## INTRODUKSJON

Kjære kunde,

Takk for at du kjøpte dette Kress Commercial-produktet. Vi er dedikerte innen utvikling av høykvalitetsprodukter som møter dine behov for kommersiell landsskapsarkitektur.

Kress-merket er synonymt med førsteklasses service. Hvis du har spørsmål eller bekymringer angående produktet gjennom produktets levetid, bes du kontakte forhandleren din eller vårt kundeserviceteam for å få hjelp.

Vi er sikre på at du vil ha glede av å bruke Kress-produktet ditt i mange år fremover.



NOR

## KOMPONENTLISTE

- |    |                        |
|----|------------------------|
| 1. | BATTERIINDIKATORLYS    |
| 2. | STRØMTESTKNAPP         |
| 3. | BLUETOOTH-INDIKATORLYS |
| 4. | FEILINDIKATORLYS       |
| 5. | STØVFILTER             |



# PRODUKTSIKKERHET



**ADVARSEL!** Les alle instruksjoner. Hvis du unnlater å følge instruksjonene under, kan det resultere i elektrisk støt, brann og/eller alvorlig skade.

Les nøye instruksjonene for sikker bruk av maskinen.

Ta vare på alle advarsler og veiledninger for fremtidig referanse.

Brukunbatteripakke for Kress trådløst product.

Se merkelappen og bruksanvisningen som følger med produktet.

## SIKKERHETSANVISNINGER FOR BATTERIPAKKE

- a) Ikke demonter, åpne eller riv opp sekundære celler eller batteripakker.
- b) Ikke kortslutt en celle eller en batteripakke. Ikke oppbevar celler eller batteripakke løst i en boks eller skuff hvor de kan kortslutte hverandre eller bli kortsluttet av andre metallgjenstander. Når batteripakken ikke er i bruk skal den holdes adskilt fra andre metallgjenstander som binders, mynter, nøkler, spiker, skruer eller andre små metallobjekter. Kortslutning av batteriet kan forårsake skader eller brann.
- c) Ikke utsett celler eller batteripakke for varme eller ild. Unngå oppbevaring i direkte sollys.
- d) Ikke utsett celler eller batteripakke for mekanisk støt.
- e) Hvis du opplever cellelekkasje, ikke la væsken komme i kontakt med huden eller øynene. Dersom kontakt har oppstått, vask området med rikelige mengder vann og oppsøk medisinsk hjelp.
- f) Hold batteripakken ren og tørr.
- g) Tørk batteripakkekontaktene med en ren, tørr klut hvis de blir skitne.
- h) Batteripakken må lades før bruk. Bruk denne instruksjonen og korrekt ladeprosedyre.
- i) Ikke ha batteripakken til ladning når den ikke er i bruk.
- j) Etter en lang lagringsperiode kan det være nødvendig å lade og utlade batteripakken flere ganger for å oppnå maksimal ytelse.
- k) Bruk kun batterilader spesifisert av Kress. Bruk ikke andre ladere enn de som er levert for bruk med utstyret.
- l) Tikke bruk batteripakker som ikke er beregnet for bruk sammen med utstyret.
- m) Hold batteripakken utenfor barns rekkevidde.
- n) Ta vare på den originale bruksanvisningen for fremtidig bruk.
- o) Ta ut batteriene fra utstyret når det ikke er i bruk.
- p) Kvitt deg med produktet på forsvarlig måte.
- q) Ikke bland batterier av forskjellig produksjon, kapasitet, størrelse eller type i enheten.
- r) Hold batteriet unna mikrobølger og høyt

trykk.

## YTTERLIGERE SIKKERHETSADVARSEL FOR KOMMERSIELL BATTERIPAKKE

1. Bruk batteripakken kun for trådløse Kress Commercial-produkter.
2. Bruk batteripakken kun med KAC840-batterilader eller ekstra batteriladere oppført i brukerhåndboken.
3. Bruk batteripakken kun med KAC875E- og KAC877E-kraftstasjoner eller ekstra kraftstasjoner som er oppført i bruksanvisningen.
4. For å oppnå best mulig ytelse, vær oppmerksom på følgende omgivelsestemperaturområde, ikke lad, bruk eller oppbevar i tilfelle overskridelse av følgende temperaturområde:
  - a) Ladetempurområde: -5°C~45°C
  - b) Utløpstemperaturområde: -20°C~45°C
  - c) Temperaturområde for lagring: 5°C~25°C
5. For å redusere risikoen for elektrisk støt, brann og eksplosjon på grunn av kortslutning:
  - a) Hvis batteriet utsettes for regn under drift, må du fjerne det fra produktet og la det tørke innendørs. Sørg for at den er helt tørr før du lader den eller bruker den på nytt.
  - b) Sypp ikke batteriet i vann eller i andre væsker.
  - c) Ikke koble batteripolene med ledninger eller andre metallgjenstander.
  - d) Batteripakken bør holdes unna små ledende metallgjenstander (som binders, spiker, mynter, nøkler osv.).
  - e) Oppbevar batterier innendørs i et tørt rom.
  - f) Ikke oppbevar batteriet i et fuktig eller etsende miljø, eller i et miljø som kan føre til at metalldelene korroderer.
  - g) Beskytter batterier mot eksponering for etsende stoffer som hagekjemikalier og avisingssalter.
  - h) Oppbevar aldri batterier inne i elektroverktøy.
  - i) Når du oppbevarer batteriet, hold batteriet med en ladning mellom 40 % og 60 % (3 grønne lamper lyser).
  - j) Hvis batteripakken må sendes separat med fly, kan ladningen ikke overstige 30 %.
  - k) Hvis du oppbevarer batteriet i laderen, koble laderen fra stikkkontakten.
  - l) Ikke forsøk å reparere, åpne eller demontere batteriet. Det er ingen deler på innsiden som kan repareres av brukeren.
  - m) For å redusere risikoen for personskade ved utilsiktet aktivering, fjern alltid batteriet før du monterer, transporterer, justerer, rengjør, vedlikeholder eller oppbevarer elektroverktøyet.
6. Batteribrann er farlig. For å redusere risikoen for alvorlig personskade og skade på eiendom i tilfelle brann:
  - a) Evakuer området. Branner kan spre seg raskt.

NOR

Hold deg unna generert gass og røyk og hold trygg avstand.

b) Kontakt brannvesenet.

c) Mens vann kan brukes til å slukke batteribranner, er det best å bruke et flerbruks brannslukningsapparat med tørrkjemikalier.

d) Kontakt brannvesenet for riktig avhending av brente batterier.

7. Batterivæske som lekker kan forårsake hud- og øyeirritasjon eller kjemiske brannskader.

a) Unngå kontakt med hud og øyne.

b) Hvis væske kommer i øynene: Ikke gni. Skyll åpne øyne med vann i minst 15 minutter, og kontakt lege.

c) Ved utilsiktet kontakt, vask kontaktområdet umiddelbart og grundig med mild såpe og vann.

d) Bruk et inert absorberende middel som sand på sølt væske.

## BRUKERHÅNDBOKSKRAV FOR TRÅDLØST PRODUKT

a) Bruk av denne enheten er underlagt følgende to betingelser:

(1) Denne enheten kan ikke forårsake skadelig interferens, og

(2) denne enheten må akseptere all interferens som mottas, inkludert interferens som kan forårsake uønsket drift.

b) Forsiktig: Endringer eller modifikasjoner av denne enheten som ikke er uttrykkelig godkjent av parten som er ansvarlig for samsvar, kan ugyldiggjøre brukerens rett til å bruke utstyret.

c) MERK: Dette utstyret genererer, bruker og kan utstråle radiofrekvensenergi, og hvis det ikke installeres og brukes i samsvar med instruksjonene, kan det forårsake skadelig interferens for radiokommunikasjon. Det er imidlertid ingen garanti for at interferens ikke vil oppstå i en bestemt installasjon. Hvis dette utstyret forårsaker skadelig interferens for radio- eller TV-mottak, noe som kan fastslås ved å slå utstyret av og på, oppfordres brukeren til å prøve å korrigere interferensen med ett eller flere av følgende tiltak:

- Reorienter eller flytt mottakerantennen.
- Øk avstanden mellom utstyret og mottakeren.
- Koble utstyret til en stikkontakt på en annen krets enn den mottakeren er koblet til.
- Konsulter forhandleren eller en erfaren radio/TV-tekniker for å få hjelp.

## SYMBOLER



Miljøvennlig avhending  
Gamle elektriske apparater må ikke avhendes sammen med restavfallet, men må avhendes separat. Avhending på felles innsamlingssted via privatpersoner er gratis. Eieren av gamle apparater er ansvarlige for å bringe apparatene til disse innsamlingsstedene eller til lignende innsamlingssteder. Med denne lille egeninnsatsen bidrar du til resirkulering av verdifulle råvarer og behandling av giftige stoffer.



Li-Ion



Litium-ion-batterier Dette produktet er merket med symboler tilknyttet "separat samling" av alle batteripakker og batteripakker. Du kan deretter resirkulere eller fjerne den for å redusere påvirkningen på miljøet. Batteripakken inneholder skadelige stoffer som kan være skadelige for miljøet og menneskers helse.



Ikke brenn



Hvis det ikke håndteres riktig, kan batteriet komme inn i vannsyklusen, noe som kan forårsake skade på økosystemet. Ikke kast brukte batterier som usortert kommunalt avfall.

## DRIFTSINSTRUKSER

**Regler for optimal bruk av oppladbare batterier**

**Merk:**

1. Batteripakken din er delvis ladet og trenger å bli toppet opp før du bruker den første gang. For å sikre full kapasitet på batteriet ber vi deg lade batteriet i laderen før du bruker batteriet i verktøyet første gang.
2. En batteripakke vil sakte tappes for strøm når den holdes ute av laderen eller etterlates i laderen mens den er frakoplet strøm over tid. Den må kanskje lades før bruk.







CyberPack kan brukes med en ryggsekk, se ryggsekkmanualen for detaljer.

Når feil med overutlading, overlading, overtemperatur og lav temperatur oppstår mens batteripakken lades på laderen eller brukes på

maskinen, vil brukeren motta en feilmelding, og laderen eller maskinen vil slutte å lade eller fungere.

Li-Ion batteriet kan lades når som helst uten at batteriets levetid blir avkortet. Avbrudd av ladeprosedyren skader ikke batteriet.

Du kan sjekke batterinivået via batteriindikatorlampen ved å trykke på strømtestknappen. Før du begynner eller etter bruk, trykker du på strømtestknappen på batteripakken for å sjekke batterikapasiteten.

Merknader	LED-lys	Batteritilstand
Fem grønne lys lyser.		$80\% \leq \text{batterinivå} \leq 100\%$
Fire grønne lys lyser.		$60\% \leq \text{batterinivå} < 80\%$
Tre grønne lys lyser.		$40\% \leq \text{batterinivå} < 60\%$
To grønne lys lyser.		$20\% \leq \text{batterinivå} < 40\%$
Et grønt lys lyser.		$10\% \leq \text{batterinivå} < 20\%$
Et grønt lys blinker.		$0\% \leq \text{batterinivå} < 10\%$

Du kan få vite den relevante statusen til batteriet gjennom statusen til Bluetooth-indikatorlampen og feilindikatorlampen.

Merknader	Batteritilstand
Bluetooth-indikatorlys er tent.	Bluetooth er ikke tilkoblet.
Bluetooth-indikatorlys er ikke tent.	Bluetooth er ikke tilkoblet.
Feilindikatorlys er tent.	Batterifeil, hindrer lading og utlading.
Feilindikatorlys er ikke tent.	Det er normalt.

Når batteripakken svikter vil feilindikatoren lyse, og du kan se den spesifikke feilårsaken og løsningen via APPen.

## LADING AV BATTERIPAKKEN

Se instruksjonsmanualensommedfølgerladeren.

## LAGRING

Batteriet må kun lagres i et temperaturområde på 5°C til 25°C.

Når batteriet holdes ute av laderen eller etterlates i laderen mens den er frakoplet strøm over tid, når batteriet fremdeles nokså høyt nivå. En vesentlig kortere driftstid etter oppladingen er et tegn på at batteriet er oppbrukt og må skiftes ut.

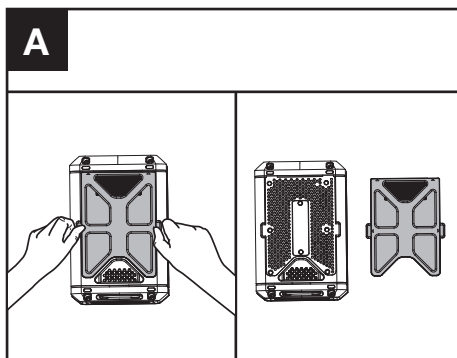
## TRANSPORT

Li-ion-batteriene i verktøyet underligger kravene for farlig gods. Batteriene kan transporteres på veier av brukeren uten ytterligere krav.

Send batterier kun hvis huset ikke er skadet. Pakkbatterieneslik at de ikkekanbevegese I emballasjen.


## SERVICE OG VEDLIKEHOLD

Rengjøre ventilasjonssprekkene på batteriet regelmessig med en myk, ren og tørr pensel. Når støvfilteret på batteriet er blokkert, må det fjernes og skylles med vann. Etter tørking setter du støvfilteret tilbake i batteriet. For å beskytte batteriet hvis støvfilteret er skadet, må du bytte det i tide. (Se fig. A)




Hvis batteriet ikke lenger er funksjonsdyktig, må du henvende deg til en autorisert kundeservice for Kresselektroverktøy.

## TEKNISKE DATA

	<b>KAC804</b>
Spenning	60 V  MAX*
Batterikapasitet	4.0 Ah
Anbefalt omgivelsestemperatur for lading	-5~45 °C
Optimal lagringstemperatur under bruk	5~25 °C
Batterivekt	3 kg
Grad av beskyttelse	IPX5
Frekvensbånd for Bluetooth	2400-2483.5 MHz
Maksimal overført kraft for Bluetooth	8 dBm

\* Jännite mitattu ilman työkuormaa. Ensimmäinen akkujännite saavuttaa maksimissaan 60 voltia. Nimellisjännite on 54 voltia.

## MILJÖVERNTILTAK

 Avfall etter elektriske produkter må ikke legges sammen med husholdningsavfall. Vennligst resirkuler avfallet der dette finnes. Undersøk hos de lokale myndighetene eller en detaljist for resirkuleringsråd.

## SAMSVARERKLÆRING

Vi,  
Positec Germany GmbH  
Postfach 32 02 16, 50796 Cologne, Germany

Erklærer at produktet,  
Beskrivelse **Batteripakke**  
Type **KAC804**  
Funksjon **Gi energi til elektroverktøy, hageredskaper og lignende produkter**

Samsvarer med følgende direktiver:  
**2006/66/EC & 2013/56/EU, 2014/53/EU, 2011/65/EU & (EU) 2015/863**

Standardene samsvarer med,  
**EN 62133-2,**  
**EN 300328,**  
**EN 301489-1/-17,**  
**EN 50663**

Personen som er autorisert til å utarbeide den tekniske filen,

**Navn Marcel Filz**  
**Adresse Positec Germany GmbH**  
**Postfach 32 02 16, 50796 Cologne, Germany**



2022/12/06  
Allen Ding  
Visesjefsingeniør, Testing og Sertifisering  
Positec Technology (China) Co., Ltd  
18, Dongwang Road, Suzhou Industrial  
Park, Jiangsu 215123, P. R. China

# INNEHÅLLSFÖRTECKNING

Introduktion.....	109
Komponenter.....	110
Produktsäkerhet.....	111
Bruksanvisning.....	112
Så laddar du batteriet.....	113
Förvaring.....	113
Transport.....	113
Underhåll och service.....	113
Tekniska data.....	114
Miljöskydd.....	114
Deklaration om överensstämmelse.....	114

sv

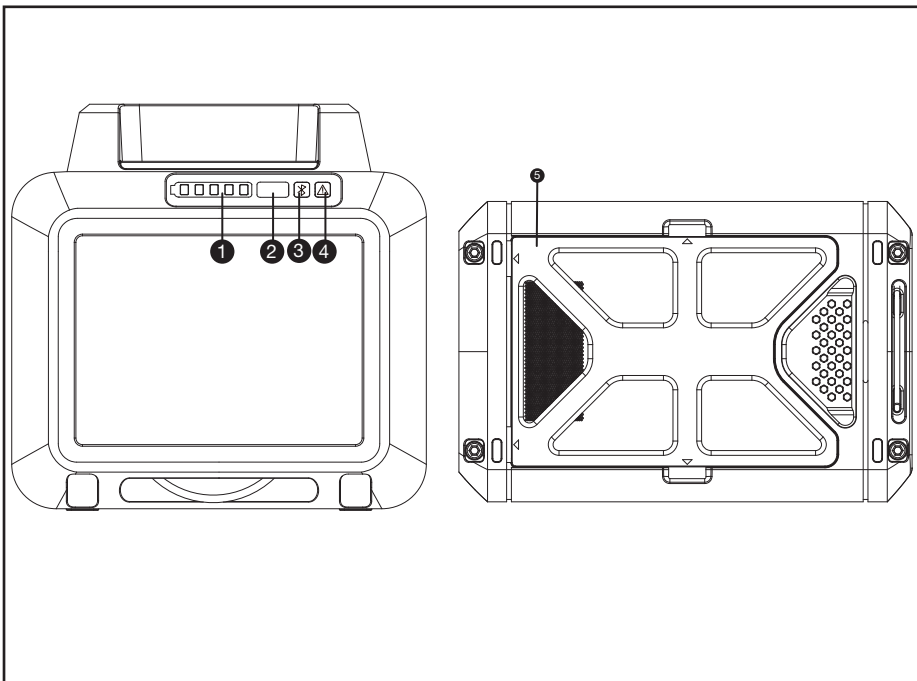
## INTRODUKTION

Bästa kund,

Tack för ditt köp av denna produkt från Kress Commercial. Vi är engagerade i vår strävan att utveckla produkter av hög kvalitet som uppfyller kraven för din kommersiella trädgårdsanläggning.

Kress som varumärke är synonymt med förstklassig service. Skulle du ha några frågor eller funderingar om din produkts livslängd, kan du kontakta din återförsäljare eller vårt kundtjänstteam för hjälp.

Vi är övertygade om att du kommer att trivas med att arbeta med din produkt från Kress i många år framöver.



SV

## KOMPONENTER

1. BATTERIETS INDIKATORLAMP
2. KNAPPEN FÖR STRÖMTEST
3. INDIKATORLAMP TILL BLUETOOTH
4. INDIKATORLAMP VID FUNKTIONSSTÖRNING
5. DAMMFILTER

## PRODUKTSÄKERHET



### VARNING! LÄS ALLA INSTRUKTIONER.

Följs inte alla nedanstående instruktioner kan det leda till elektriska stötar, brand och/eller allvarliga skador.

Läs noggrant instruktionerna för säker drift av maskinen.

Spara alla varningar och instruktioner för framtida bruk.

Batteripaketet får enbart användas med Kress sladdlösa produkter. Se märkningsetiketten och bruksanvisningen som medföljer denna produkt.

## SÄKERHETSFORESKRIFTER FÖR BATTERIET

- a) Ta inte isär batteriet, öppna inte heller batteriet eller sära på battericeller.
- b) Kortslut inte batteriet. Förvara inte batteriet på ett slarvigt sätt i en låda där det kan kortslutas eller skadas av ledande material. När batteriet inte används, håll det borta från metallobjekt, såsom pappersgem, pengar, nycklar, naglar, skruvar eller andra små metallobjekt som kan leda ström från en terminal till en annan. Om batteriterminalerna kortsluter varandra kan de förorsaka brandrisk.
- c) Exponera inte batteriet för eld eller värme. Undvik förvaring i direkt solljus.
- d) Utsätt inte batteriet för mekanisk chock.
- e) Om batteriet läcker, låt inte vätskan komma i kontakt med hud eller ögon. Om så ändå skulle hända, skölj med mycket vatten och sök läkarhjälp.
- f) Håll batteriet rent och torrt.
- g) Torka av batteriet om det blir smutsigt med en torr, ren trasa.
- h) Batteriet måste laddas före användning. Använd den här bruksanvisningen för att ladda batteriet korrekt.
- i) Låt inte batteriet stå på laddning när det inte används.
- j) Efter lång tids användning kan det bli nödvändigt att ladda och ladda ur batteriet många gånger för att nå maximal prestanda.
- k) Ladda endast med laddare av varumärket Kress. Använd ingen annan laddare än den som specifik ska användas med det här batteriet.
- l) Använd inte ett batteri som inte är avsett för användning med det här verktyget.
- m) Håll batteriet borta från barn.
- n) Behåll den ursprungliga bruksanvisningen för framtida användning.
- o) Plocka ur batteriet från verktyget då det inte används.
- p) Kassera batteriet på rätt sätt.
- q) Blanda inte celler från olika tillverkning, kapacitet, storlek eller typ inom en enhet.
- r) Håll batteriet borta från mikrovågor och högt tryck.

## YTTERLIGARE SÄKERHETSVARNINGAR FÖR KOMMERSIELLA BATTERIPAKET

1. Använd endast batteripaketet för Kress kommersiella sladdlösa produkter.
2. Använd endast batteripaketet med KAC840 batteriladdare eller ytterligare batteriladdare som listas i bruksanvisningen.
3. Använd endast batteripaketet med KAC875E och KAC877E energistation eller ytterligare energistationer som listas i bruksanvisningen.
4. För att få bästa prestanda, uppmärksamma följande omgivande temperaturområden, ladda inte, använd eller förvara om följande temperaturområden överskrids:
  - a) Temperaturområde för laddning: -5°C~45°C
  - b) Temperaturområde för urladdning: -20°C~45°C
  - c) Temperaturområde för förvaring: 5°C~25°C
5. För att minska risken för elektrisk stöt, brand och explosion på grund av kortslutningar:
  - a) Om batteriet utsätts för regn under användning, ta bort det från produkten och låt det torka inomhus. Se till att den är helt torr innan det laddas eller används igen.
  - b) Sänk inte ner batteriet i vatten eller annan vätska.
  - c) Koppla inte samman batteriterminalerna med ledningar eller andra metallföremål.
  - d) Batteripaketet skall hållas undan från små ledande objekt (såsom pappersgem, spikar, nycklar etc.).
  - e) Förvara batterier inomhus i ett torrt rum.
  - f) Förvara inte batteriet i en fuktig eller frätande miljö eller i en miljö som kan orsaka att metalldelarna rostas.
  - g) Skydda batteriet från frätande substanser som trädgårdskemikalier och avsningssalt.
  - h) Förvara aldrig batterier i elverktyg.
  - i) Vid förvaring av batteriet, se till att batteriet har en laddning på 40 % till 60 % (3 gröna lampor lyser).
  - j) Om batteripaketet tas med separat med flyg får laddningen inte överstiga 30 %.
  - k) Om batteriet förvaras i laddaren, koppla ifrån laddaren från uttaget.
  - l) Försök aldrig reparera, öppna eller ta isär batteriet. Det finns inga delar som användaren själv kan utföra service på.
  - m) För att minska risken för personskador från oavsiktlig aktivering, ta alltid bort batteriet innan montering, transport, inställning, rengöring, service eller förvaring av elverktyget.
6. En batteribrand är farlig. För att minska risken för allvarliga personskador och egendomsskador vid en eventuell brand:
  - a) Utrym området. Brand kan spridas snabbt. Håll det undan från all genererad gas och rök och håll ett säkert avstånd.
  - b) Kontakta räddningstjänsten.

c) Medan vatten kan användas för att släcka batteribränder är det bäst att använda universala torra brandsläckare.

d) Rådfråga räddningstjänsten för korrekt avyttring av brända batterier.

7. Läckande batterivätskor kan orsaka hud- och ögonirritation eller kemiska brännskador.
- a) Undvik kontakt med hud och ögon.
- b) Om vätska kommer in i ögonen: Gnugga inte Skölj öppna ögon med vatten i minst 15 minuter och sök läkarvård.
- c) Vid oavsiktlig kontakt, tvätta omedelbart området med tvål och vatten.
- d) Använd ett neutralt absorberande ämne som sand på spilld vätska.

## BRUKSANVISNINGSKRAV FÖR TRÅDLÖS PRODUKT

- a) Enheten får endast användas under förutsättning att följande två villkor är uppfyllda: (1) Enheten får inte orsaka skadlig störning och (2) enheten måste acceptera all mottagen störning, inklusive störningar som kan orsaka oönskad användning.
- b) Försiktighet: Ändringar eller modifieringar av denna enhet som inte uttryckligen godkänts av parten som är ansvarig för dess uppfyllelse kan upphäva användarens rätt att använda utrustningen.
- c) NOTERA: Utrustningen alstrar, använder och kan avge radiofrekvensenergi och om den inte installeras och används i enlighet med instruktionerna kan den orsaka skadliga störningar på radiokommunikation. Det finns dock inte någon garanti för att störning inte inträffar i en specifik installation. Om utrustningen orsakar skadliga störningar vid mottagning av radio- eller tv-mottagning, vilket kan fastställas genom att stänga av och slå på utrustningen, uppmanas användaren att försöka korrigera störningen genom en eller flera av följande åtgärder:
- Rikta om eller flytta mottagningsantennen.
  - Öka avståndet mellan utrustningen och mottagaren.
  - Anslut enheten till ett uttag som hör till en annan krets än den som mottagaren är ansluten till.
  - Kontakta återförsäljaren eller en erfaren radio- eller TV-tekniker för att få hjälp.

## SYMBOLER

	Miljövänlig avyttring av gamla elektriska apparater betyder att de inte får kastas i de vanliga hushållssoporna utan måste lämnas till återvinning. Avyttring på kommunala återvinningsstationer är gratis för privatpersoner. Ågaren till gamla apparater är ansvarig för att dessa lämnas för återvinning på en återvinningsstation eller på liknande plats. Med denna lilla personliga uppoffringen bidrar du till återvinning av värdefullt råmaterial och hanteringen av farliga substanser.
 Li-Ion 	Li-Ion-batteri Denna product har märkts med en symbol för sopsortering för alla batterisatser. De kommer då att återvinnas och plockas isär för att minska påverkan på miljön. Batterisatser kan vara skadliga för miljön och för människors hälsa då de innehåller farliga substanser.
	Får ej uppeldas
	Batterierna kan komma in i vattnets kretslopp om de inte kasseras korrekt och detta kan vara skadligt för EKO-systemet. Kasta inte batterier i de vanliga osorterade hushållssoporna.

## BRUKSANVISNING

### Anvisningar för korrekt hantering av batterimodulen

#### Anvisning:

1. Om ditt batteripaket inte är fullt laddat och måste laddas helt före första användning. För att säkerställa batteriets fulla kapacitet ska batteriet laddas helt i laddaren innan det används i handverktyg med motor för första gången.
2. Ett batteripaket förlorar långsamt sin laddning när det befinner sig utanför laddaren eller lämnas i en urkopplad laddare under en längre tid. Kan behöva laddas före användning.

CyberPack kan användas i en ryggsäck, se ryggsäckens manual för detaljer.







Fel vid överurladdning, överladdning, övertemperatur och lågtemperatur uppstår medan batteripaketet laddas eller används med maskinen. Användaren kommer att få ett felmeddelande och



laddaren eller maskinen slutar ladda eller arbeta.

Li-Ion-batteriet kan laddas när som helst utan att minska livslängden på det. Avbrott i proceduren för laddning skadar inte batteriet.

Batterinivån kan visas från indikatorlampan till batteriet genom att trycka på knappen för test av ström. Innan start eller efter användning, tryck på knappen för test av ström på batteripaketet för att kontrollera batterikapaciteten.

Anmärkningar	LEDljus	Batteriets skick
Fem gröna lampor tänds.		$80\% \leq \text{Energistatus} \leq 100\%$
Fyra gröna lampor tänds.		$60\% \leq \text{Energistatus} < 80\%$
Tre gröna lampor tänds.		$40\% \leq \text{Energistatus} < 60\%$
Två gröna lampor tänds.		$20\% \leq \text{Energistatus} < 40\%$
En grön lampa tänds.		$10\% \leq \text{Energistatus} < 20\%$
En grön lampa blinkar.		$0\% \leq \text{Energistatus} < 10\%$

Du kan känna till batteriets relevanta status genom statusen för indikatorlampan till Bluetooth och funktionsstörning.

Anmärkningar	Batteriets skick
Indikatorlampan till Bluetooth är tänd.	Bluetooth är ansluten.
Bluetooth-indikatorlampan är inte tänd.	Bluetooth är inte ansluten.
Indikatorlampan vid fel är tänd.	Batterifel, förhindrar laddning och urladdning.
Indikatorlampan vid fel för är inte tänd.	Det är normalt.

När batteripaketet har en funktionsstörning tänds felindikatorn och du kan se den specifika orsaken

till felet och lösningen via APPEN.

## SÅ LADDAR DU BATTERIET

Se bruksanvisningen som medföljer laddaren.

## FÖRVARING

Batterimodulen får endast lagras inom ett temperaturområde mellan 5°C och 25°C. När det inte laddas eller är anslutet till en urkopplad laddare under en längre tid, når batteriet fortfarande en relativt hög nivå. Är brukstiden efter uppladdning onormalt kort tyder det på att batterierna är förbrukade och måste bytas mot nya.

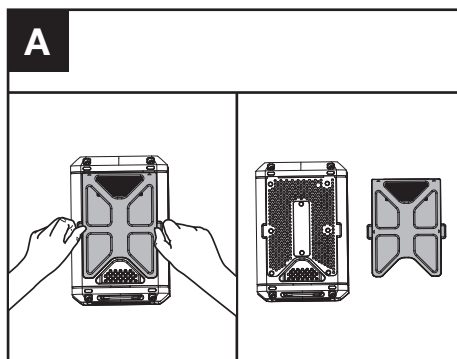
## TRANSPORT

De litiumjonbatterier som ingår är underkastade kraven för farligt gods. Användaren kan utan ytterligare förpliktelser transportera batterierna på allmän väg. Batterier får försändas endast om höjlet är oskadat. Packa batterierna på ett sådant sätt att de inte kan förflytta sig i förpackningen.

## UNDERHÅLL OCH SERVICE


Rengör vid tillfälle batterimodulens ventilations ventilationsöppningar med en mjuk, ren och torr pensel.

När dammfiltret på batteriet är blockerat ska det tas bort och sköljas med vatten. Efter torkning, sätt tillbaka dammfiltret på batteriet. För att skydda batteriet, om dammfiltret skulle skadas, byt ut det i tid. (Se bild A)




Kontakta en auktoriserad serviceverkstad för Kress-elverktyg när batteriet inte längre är funktionsdugligt.

## TEKNISKA DATA

	<b>KAC804</b>
Spänning	60 V  MAX*
Batterikapacitet	4.0 Ah
Rekommenderad omgivningstemperatur för laddning	-5~45 °C
Optimal förvaringstemperatur som används i	5~25 °C
Batteriets vikt	3 kg
Grad av skydd	IPX5
Frekvensband för Bluetooth	2400-2483.5 MHz
Maximal sändareffekt för Bluetooth	8 dBm

\* Spänning uppmätt utan belastning. Initial batterispänning är max. 60V. Nominell spänning är 54 V.

## MILJÖSKYDD

 Uttjänade elektriska maskiner får inte kasseras som hushållsavfall. Använd återvinningsfaciliteter om det finns tillgängligt. Kontrollera med din återförsäljare eller vilka lokala föreskrifter som föreligger.

## DEKLARATION OM ÖVERENSSTÄMMELSE

Vi,  
Positec Germany GmbH  
Postfach 32 02 16, 50796 Cologne, Germany

Förklarar att denna produkt,  
Beskrivning **Batteripaket**  
Typ **KAC804**  
Funktion **Ger energi till elverktyg, trädgårdsverktyg och liknande produkter**

Uppfyller följande direktiv:  
**2006/66/EC & 2013/56/EU, 2014/53/EU, 2011/65/EU & (EU) 2015/863**

Standarder överensstämmer med,  
**EN 62133-2,**  
**EN 300328,**  
**EN 301489-1/-17,**  
**EN 50663**

Personen som godkänts att sammanställa den tekniska filen,  
**Namn Marcel Filz**  
**Adress Positec Germany GmbH**  
**Postfach 32 02 16, 50796 Cologne, Germany**



2022/12/06  
Allen Ding  
Vice chefsingenjör, tester och certifiering  
Positec Technology (China) Co., Ltd  
18, Dongwang Road, Suzhou Industrial Park, Jiangsu 215123, P. R. China





Copyright © 2023, Positec. All Rights Reserved.  
AR01686601