



**ELISEO** ANTONIO CITTERIO 2022  
ARMCHAIRS

---

## ELISEO | ANTONIO CITTERIO | 2022

### BERGÈRE – ARMCHAIR – SWIVEL

### BERGÈRE – SWIVEL ARMCHAIR

**Structure** double shell in rigid molded polyurethane and flexible polyurethane foam

**Seat cushion** in sterilized goose down (Assopiuma certified, gold label) with insert in crushproof, single-density material

**Swivel base 4/5 spokes armchair/bergère** with 360-degree swivel, in cast aluminum in these finishes: satined, chrome, burnished, black chrome, glossy anthracite, matt titanium 710

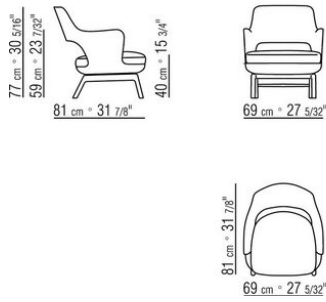
**Feet** in turned aluminum in the same color as the base. Feet rest on tips made of thermoplastic material

**Stationary base armchair/bergère** in solid Canaletto walnut with raw-wood effect, natural, or stained walnut extra finish; or in solid ash with natural finish or stained walnut, stained teak, stained wenge, stained brown or stained ebony; or in solid oak with raw-wood effect finish. Feet rest on tips made of thermoplastic material

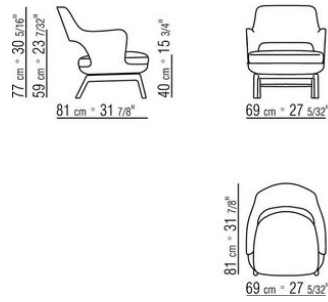
**Shell upholstery** not removable

**Seat cushion upholstery** is removable in both the fabric and leather versions

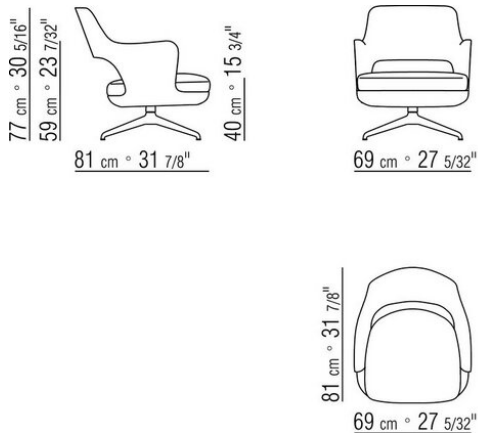
COD. 029621



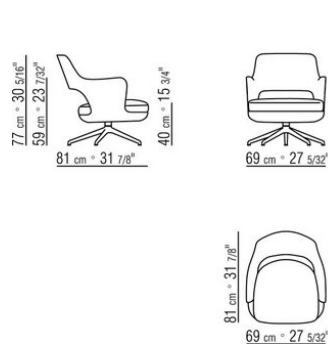
COD. 029622



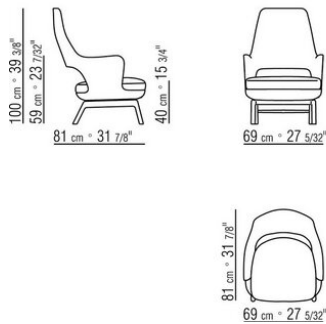
COD. 029624



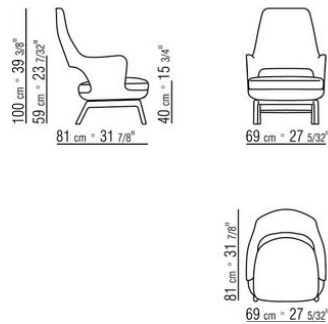
COD. 029625



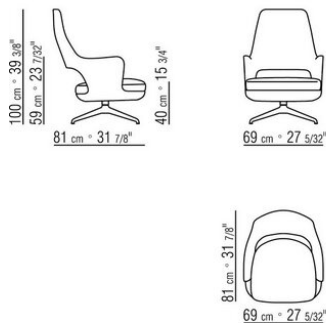
COD. 029631



COD. 029632



COD. 029634



COD. 029635

