

**FLEXFORM**



**WING** ANTONIO CITTERIO 2014

SOFAS

---

**FLEXFORM** Spa

Via Einaudi 23/25 20821 Meda (MB) Italy | Tel. +39 0362 3991 | [info@flexform.it](mailto:info@flexform.it) | [www.flexform.it](http://www.flexform.it)

---

## WING | ANTONIO CITTERIO | 2014

**Frame** metal frame covered with hide leather: grey 5003, black 5005, olive 5006, russian red 5008, sand 5001, tobacco 5015, dark brown 5004, extra dark brown 5013. Also available in suede: olive 6003, dark brown 6004, black 6005, sand 6001. With a polyurethane mattress under the seating

**Seat cushions** in sterilized goose down (Assopiuma certified, gold label) with insert in crushproof material

**Backrest and armrest** in metal and plywood padded with polyurethane foam

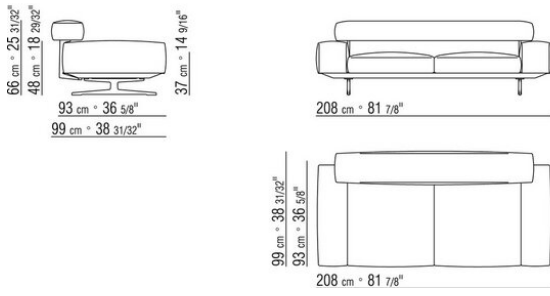
and dacron

**Feet/ backrest support** in satined, chrome, black chrome, burnished, glossy anthracite aluminium. Rests on pads made of thermoplastic material

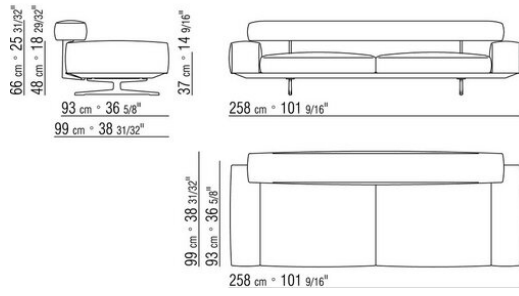
**Optional throw pillows** in sterilized goose down (Assopiuma certified, gold label). Optional throw pillows are upon request, with upcharge

**Upholstery** is removable in both the fabric and leather versions

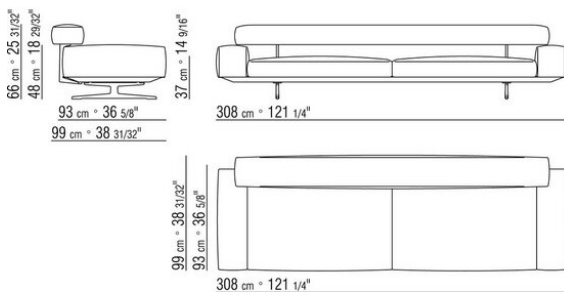
COD. 020602



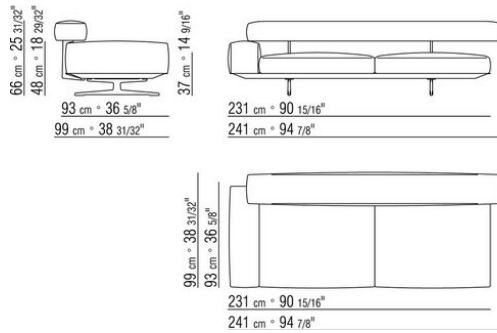
COD. 020603



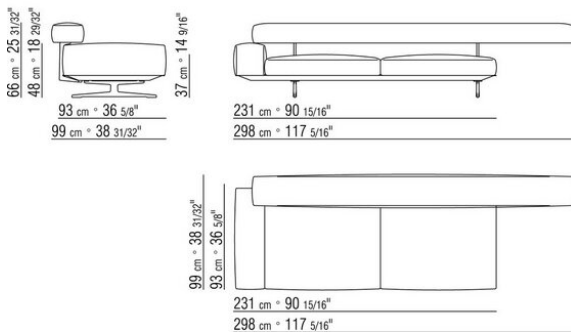
COD. 020604



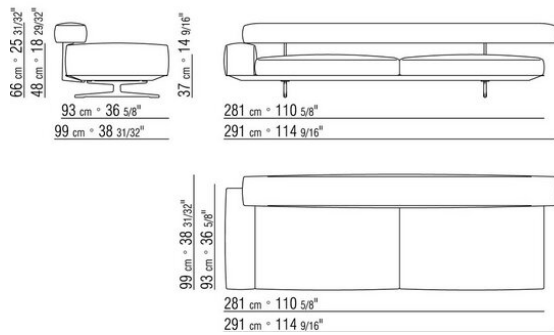
COD. 020607



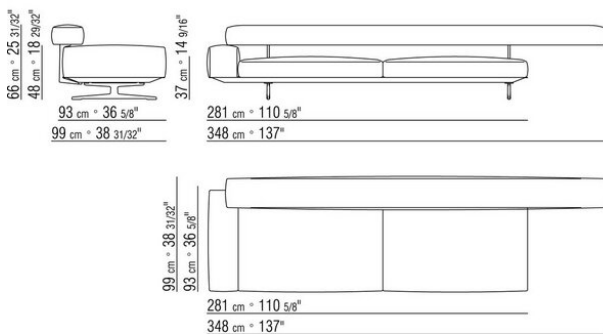
COD. 020609



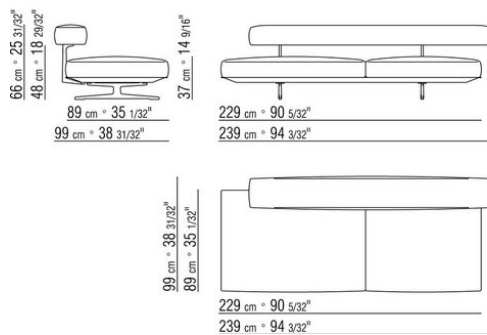
COD. 020611



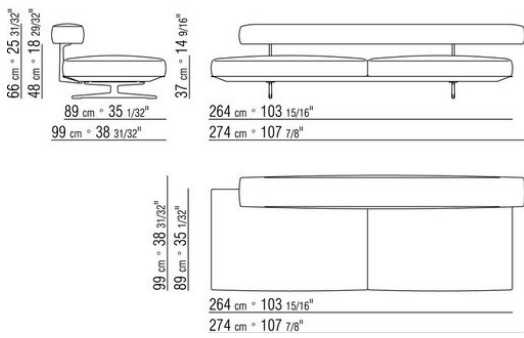
COD. 020613



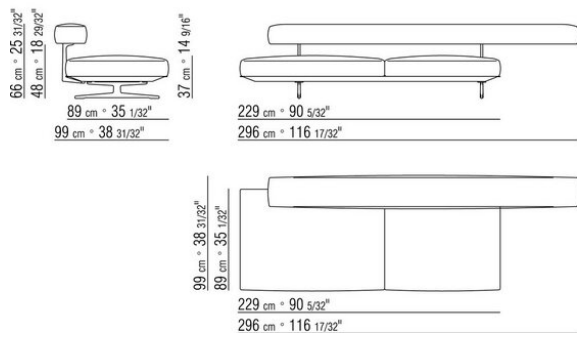
COD. 020615



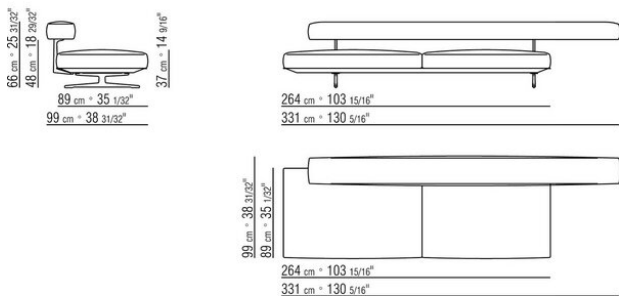
COD. 020619



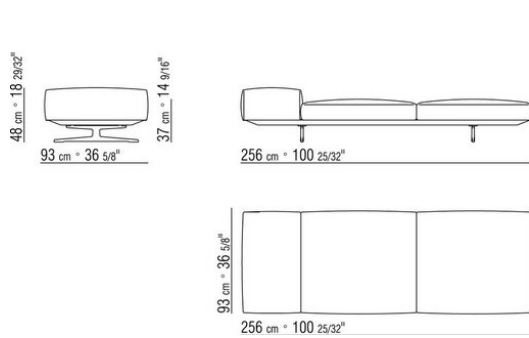
COD. 020617



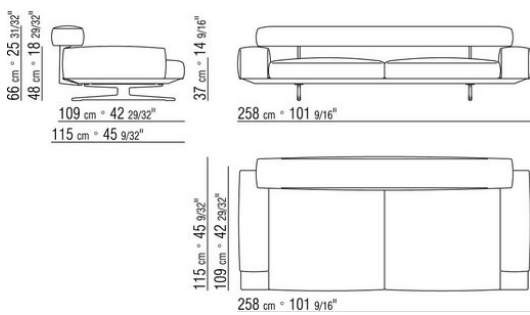
COD. 020621



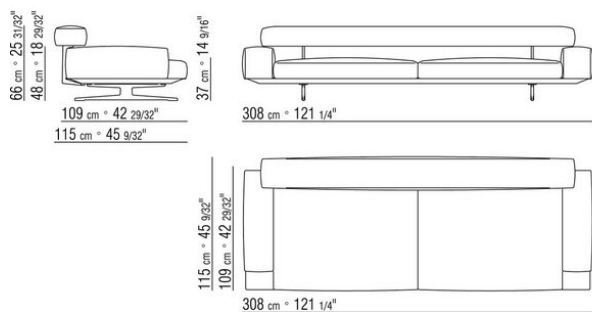
COD. 020658



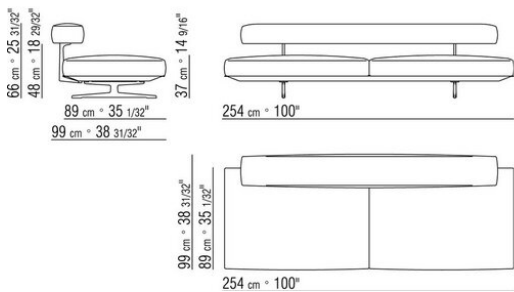
COD. 020633



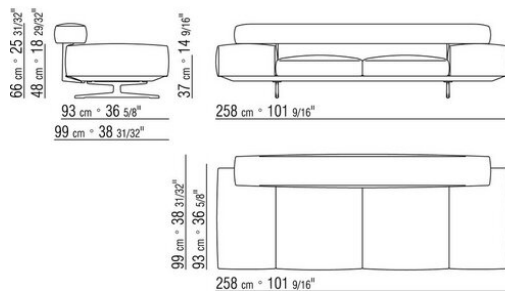
COD. 020634



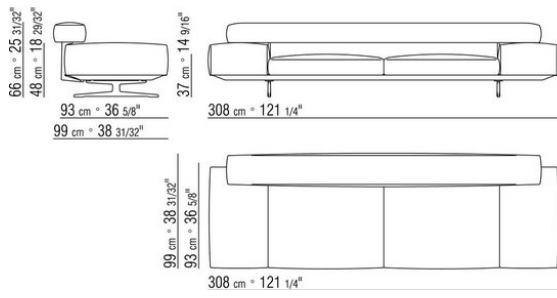
COD. 020640



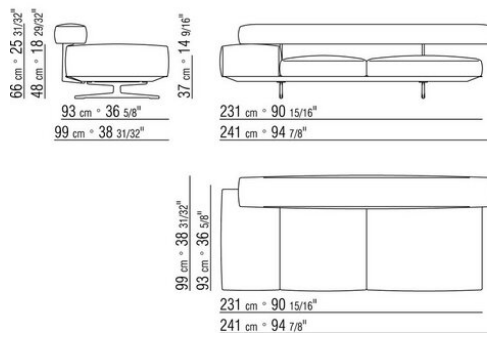
COD. 020643



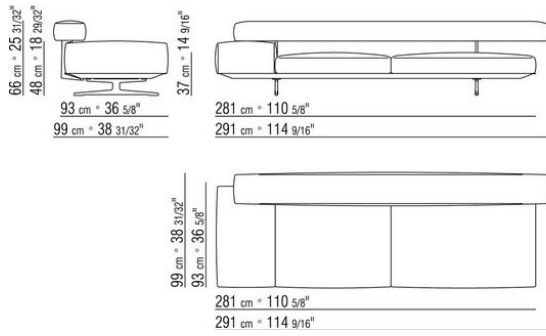
COD. 020644



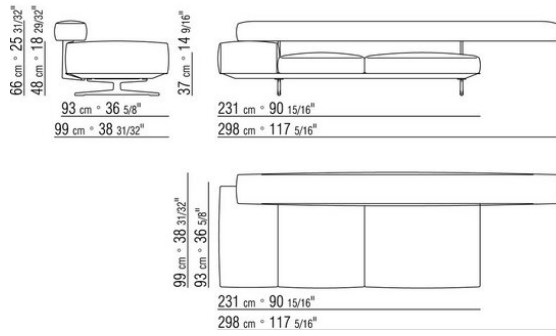
COD. 020647



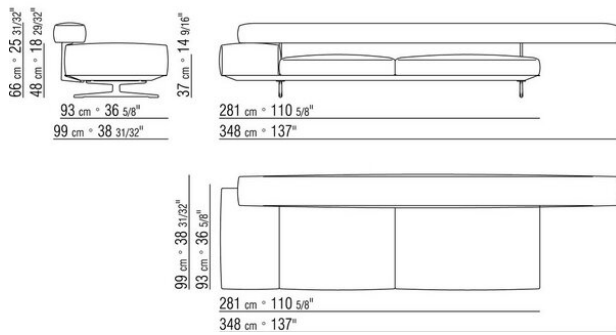
COD. 020651



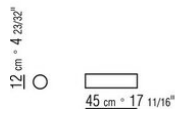
COD. 020649



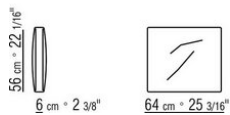
COD. 020653



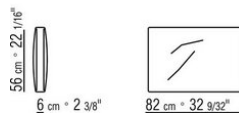
COD. 020697



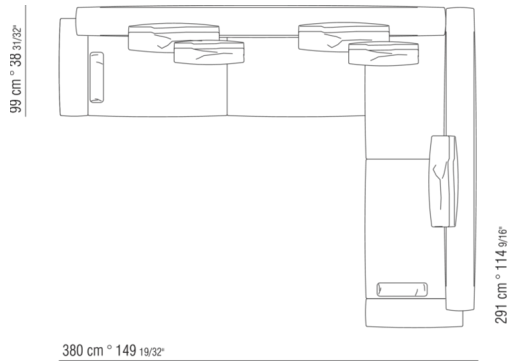
COD. 020698



COD. 020699

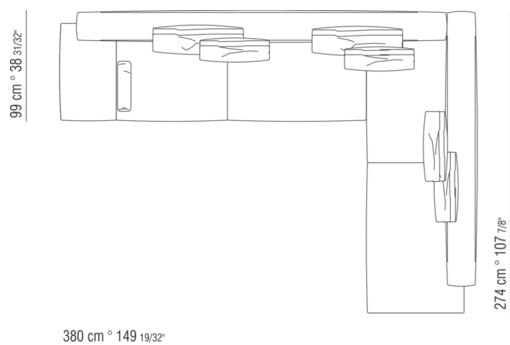


0206XA



- N.1 COD.020613 - END UNIT / CORNER / NARROW ARMREST L CM.348 x99
- N.1 COD.020610 - END UNIT / CORNER / NARROW ARMREST R CM.291 x99
- N.2 COD.020697 - ROLL Ø 12 CM.45 x
- N.2 COD.020698 - CUSHION CM.64 x56
- N.3 COD.020699 - CUSHION CM.82 x56

0206XB



- N.1 COD.020653 - END UNIT / CORNER / WIDE ARMREST L CM.348 x99
- N.1 COD.020618 - UNIT/CORNER CM.274 x99
- N.1 COD.020697 - ROLL Ø 12 CM.45 x
- N.4 COD.020698 - CUSHION CM.64 x56
- N.2 COD.020699 - CUSHION CM.82 x56