



OASIS ANTONIO CITTERIO 2024

SOFAS

OASIS | ANTONIO CITTERIO | 2024

Sofa

Base in tubular stainless steel painted black and compact laminated panel. Rests on tips made of thermoplastic material

Backrest/armrest structure in tubular stainless steel epoxy powder-coated in white 100, wine red 405, khaki green 705, burnished, matt titanium 710, glossy grey 715; or in embossed lacquered finish in white 300, sand 310, brick 320, sage green 330, terracotta 325, forest green 335, charcoal 350. In woven extruded PVC with nylon core in colors: anthracite 7005, bordeaux 7002, white 7007, cream 7001, brown 7004, green 7006; or in polypropylene cord in colors: sand 8001,

anthracite 8005, bordeaux 8002, green 8006, white 8007, brown 8004; or in matt polypropylene cord in colors: natural 8102, ice 8103, anthracite 8105, straw 8101

Seat cushion in polyurethane foam, covered with a protective water-repellent laminated fabric

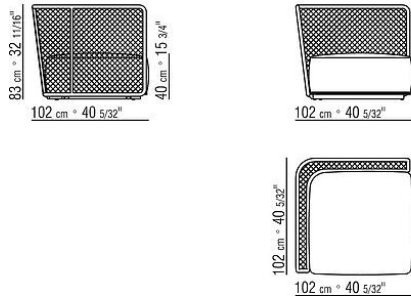
Backrest cushions / bolster in polyester fiber, with water-repellent upholstery. Upon request, with upcharge

Upholstery piping tailoring detail includes grosgrain piping that can be crafted in all the colors on the sample board

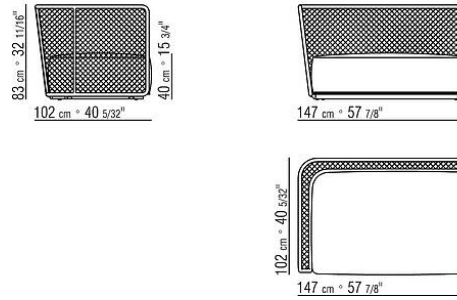
Upholstery in removable fabric

Cover in waterproof material. Upon request, with upcharge

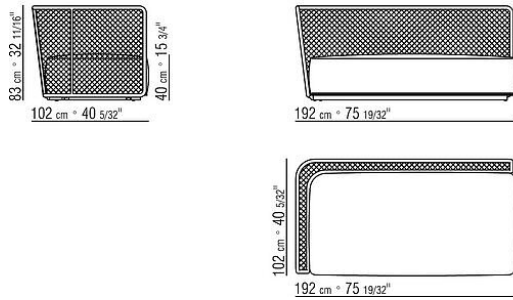
COD. 02C7B1



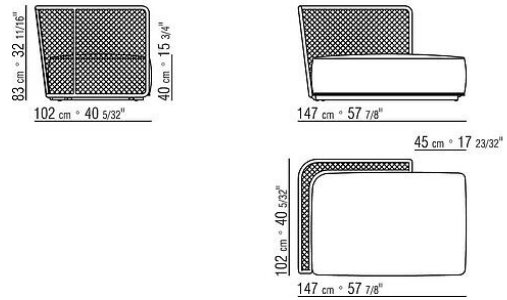
COD. 02C7B5



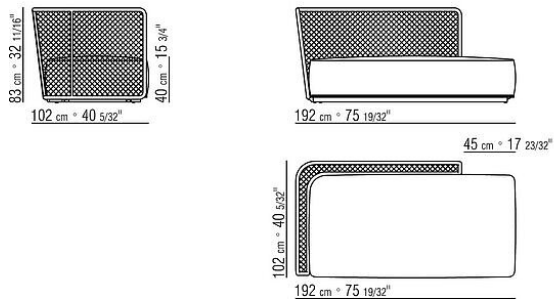
COD. 02C7B9



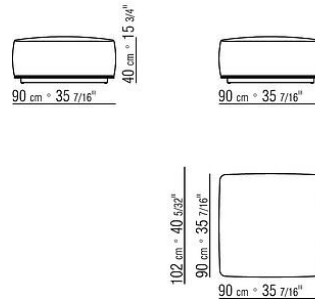
COD. 02C7C5



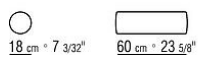
COD. 02C7C9



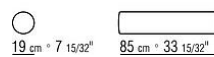
COD. 02C7G0



COD. 02C7M4



COD. 02C7M5



COD. 02C7M8

COD. 02C7M9

