



**PARKER ANTONIO CITTERIO 2022**  
ARMCHAIRS

---

## PARKER | ANTONIO CITTERIO | 2022

### ARMCHAIR

**Structure** in solid canaletto walnut with natural finish or stained extra; or in solid ash with natural finish or stained walnut, teak, wenge, ebony or brown, and metal frame with epoxy powder-coat finish, with support in anthracite color elastic webbing

**Hand-woven cord** in twisted paper rush; or, in woven cowhide cord in these colors: black, dark brown, tobacco, natural, olive, grey, russian red

**Seat cushions** in polyester fiber with insert in crushproof variable-density material

**Backrest cushions** in polyester fiber

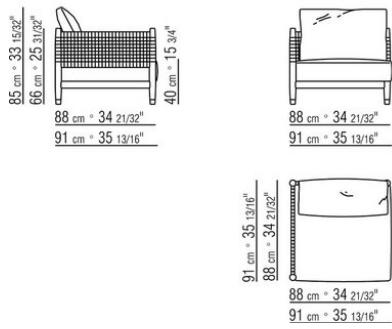
**Optional cushions** in polyester fiber. Upon request, with upcharge

**Feet** in die-cast zama in these finishes: satin, chrome, burnished, black chrome, glossy anthracite. Feet rest on tips made of thermoplastic material

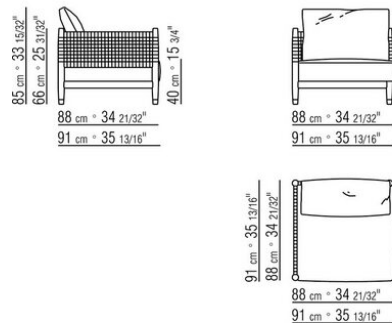
**Seat/backrest cushion upholstery** is removable in both the fabric and leather versions

**Upholstery piping** tailored detailing includes grosgrain piping that can be crafted in all the colors on the sample board

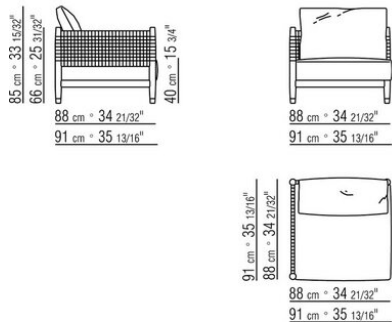
COD. 029521



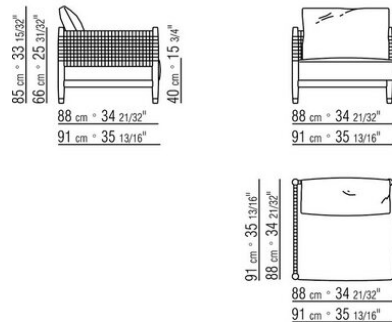
COD. 029522



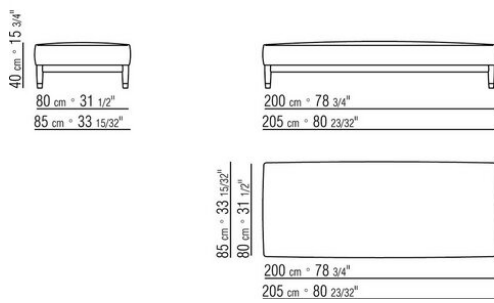
COD. 029523



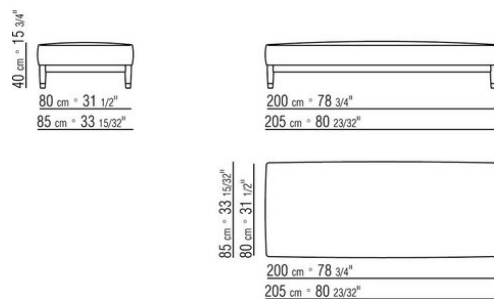
COD. 029524



COD. 029555



COD. 029557



COD. 029596



