



**NEWBRIDGE *CARLO COLOMBO* 2018**  
**BEDS/BED ACCESSORIES**

---

## NEWBRIDGE | CARLO COLOMBO | 2018

**Base with storage** that opens, metal platform with wood slats.

Bedframe in plywood with polyurethane foam padding, covered with a protective laminated fabric

**Base** with metal platform **with wood slats**, adjustable to four height positions: 1st 5.5 cm, 2nd 8 cm, 3rd 10.5 cm, 4th 13 cm; double-check there is sufficient space to support the platform inside the bed, as shown in the figure.

**Bedframe** in plywood with polyurethane foam padding, covered with a protective laminated fabric

**Back** in dacron and metal insert with reclining mechanism

**Headboard** in metal outside covered in hide leather in the following colors: russian red 5008, olive 5006, black 5005, dark brown 5004, dark brown extra 5013, grey

5003, sand 5001, tobacco 5015, inside epoxy powder coated available in color: white 100, pearl beige 130, white mat 160, cream colour 205, umbra grey 720, pearl mouse grey 740, brown grey 805, bronzed 820, black 900, burnished, titanium matt 710, glossy anthracite 725

**Drawers and shelf** in wood canaletto walnut with raw-wood effect, natural, or stained walnut extra finish; or ash with natural finish or stained walnut, stained teak, stained wenge, stained brown or stained ebony; or oak with raw-wood effect finish. Required choice between wood shelf or drawer

**Upholstery** is removable in both the fabric and leather versions

**Please note: the platform with wooden slats is delivered divided in 2 pieces, except for the beds with storage base**

COD. 0243M1



COD. 0243M2



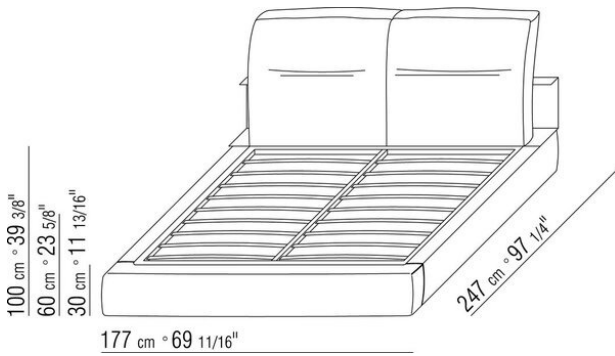
COD. 0243M3



COD. 0243M5



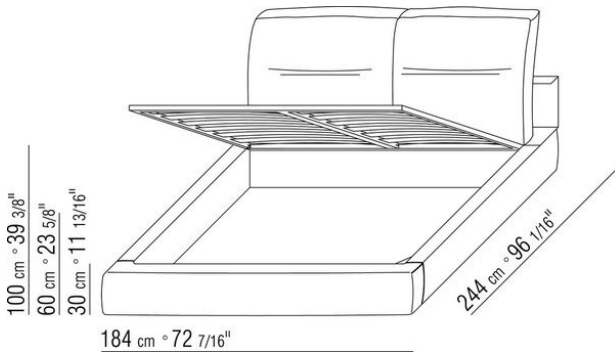
COD. 0243M6



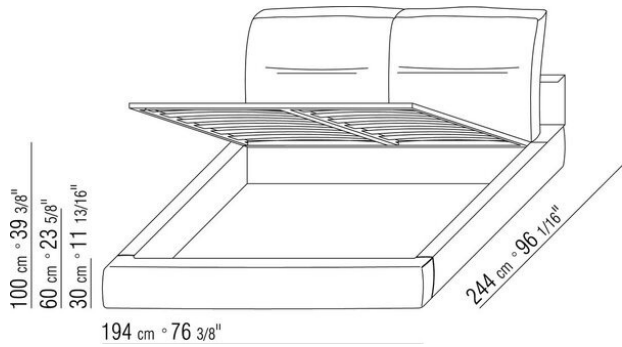
COD. 0243M8



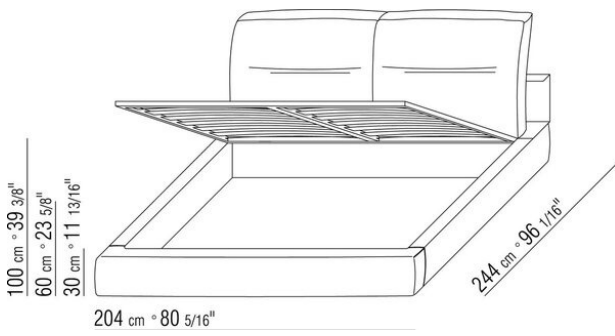
COD. 0243N1



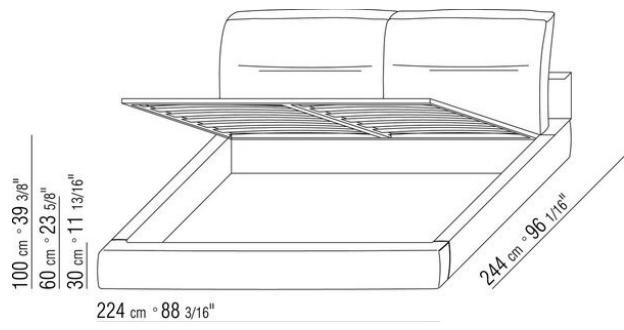
COD. 0243N2



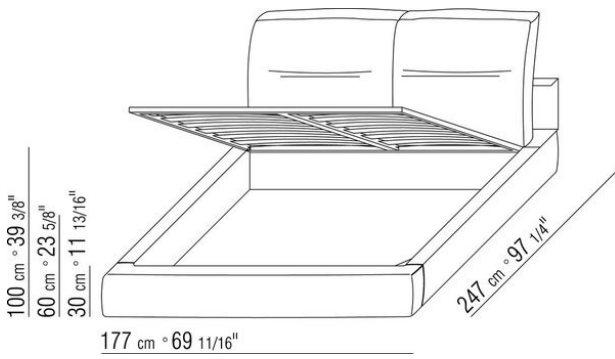
COD. 0243N3



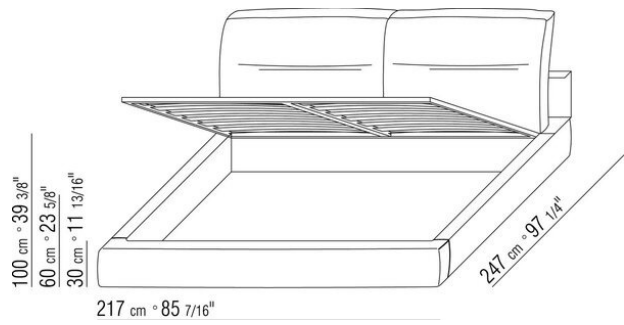
COD. 0243N5



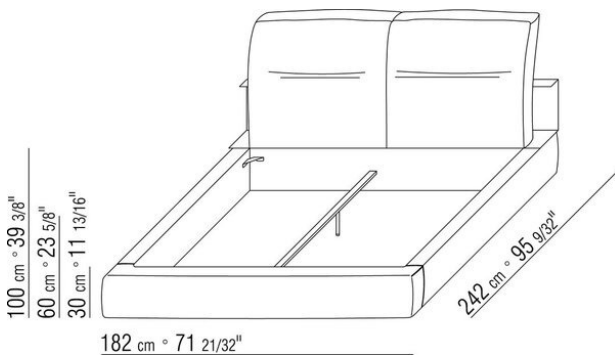
COD. 0243N6



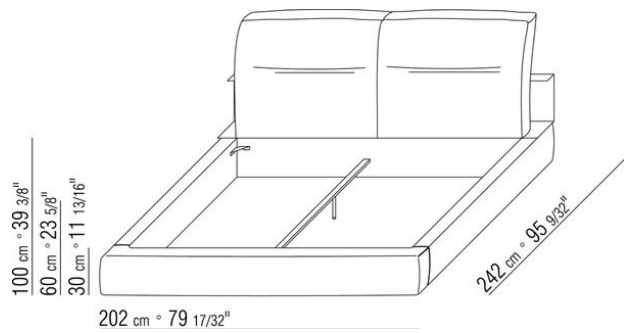
COD. 0243N8



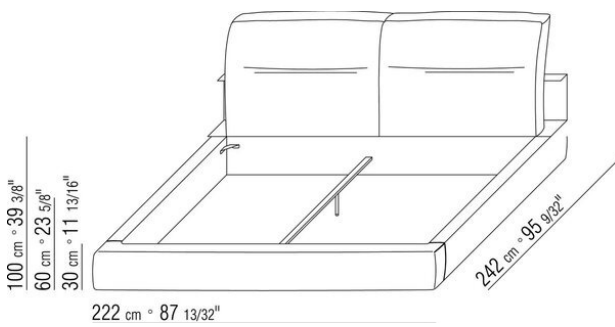
COD. 0243VA



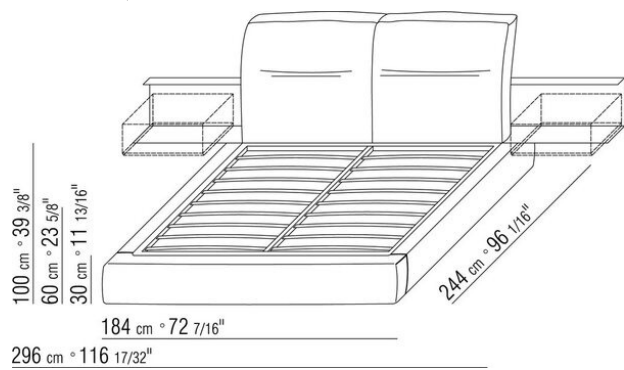
COD. 0243VC



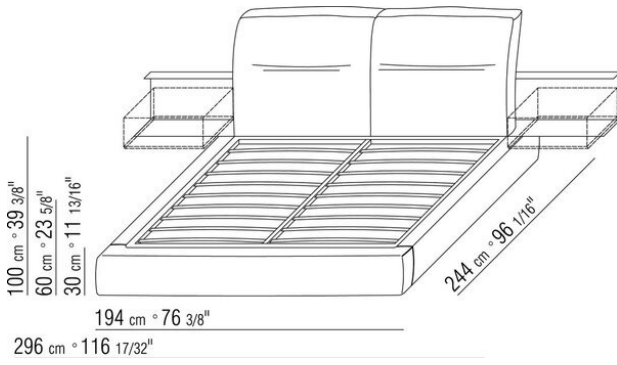
COD. 0243VE



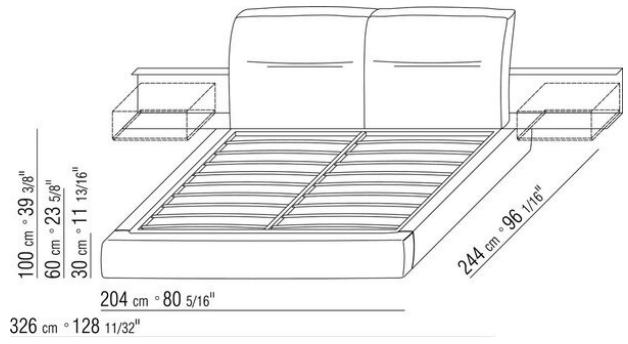
COD. 0243Q1



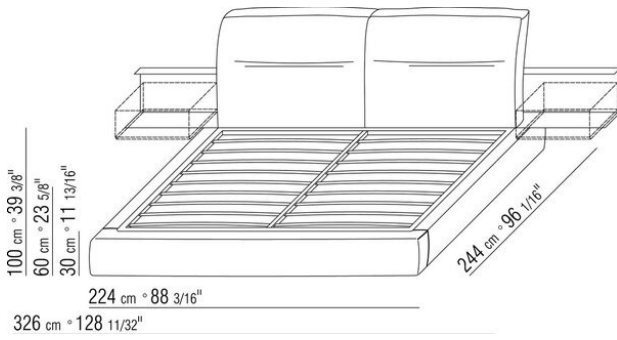
COD. 0243Q2



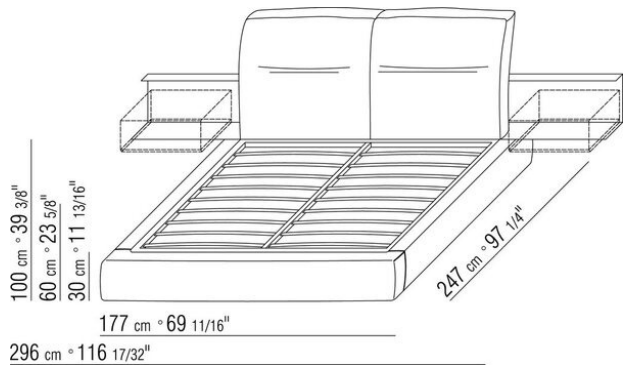
COD. 0243Q3



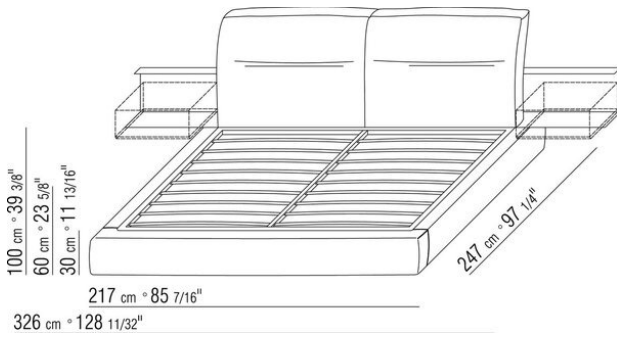
COD. 0243Q5



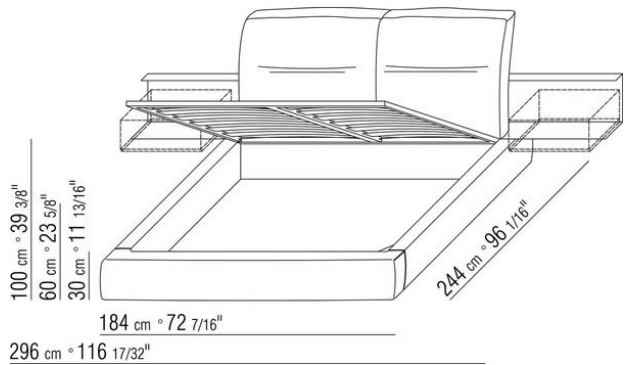
COD. 0243Q6



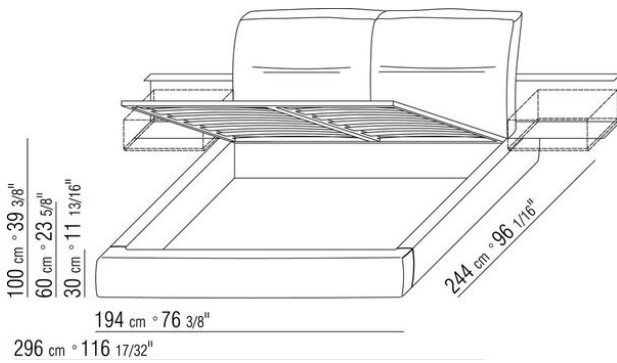
COD. 0243Q8



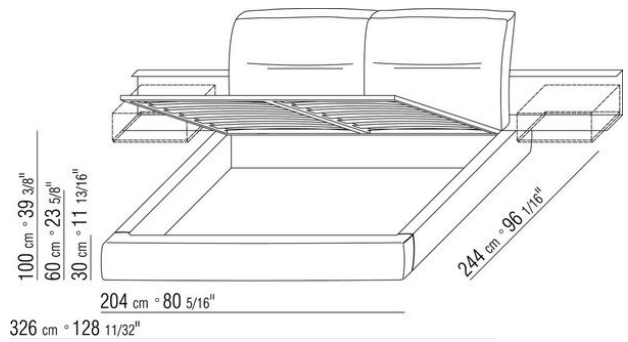
COD. 0243R1



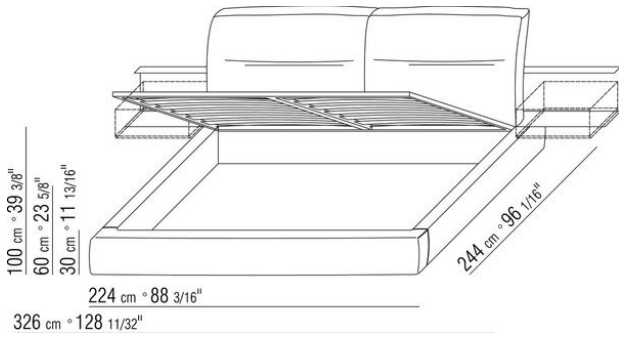
COD. 0243R2



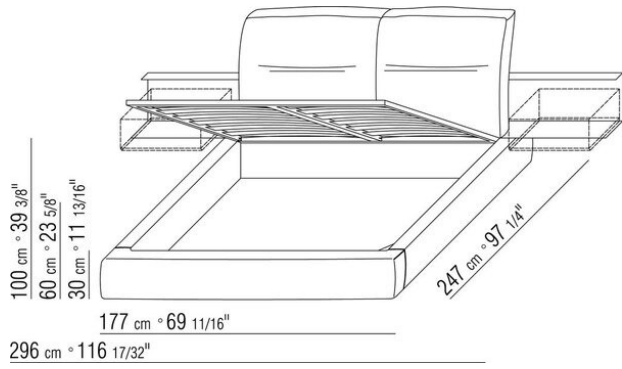
COD. 0243R3



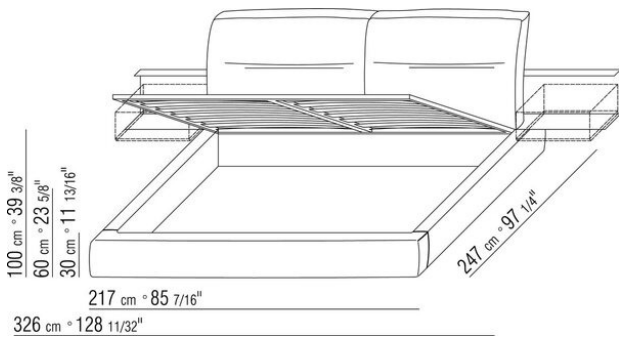
COD. 0243R5



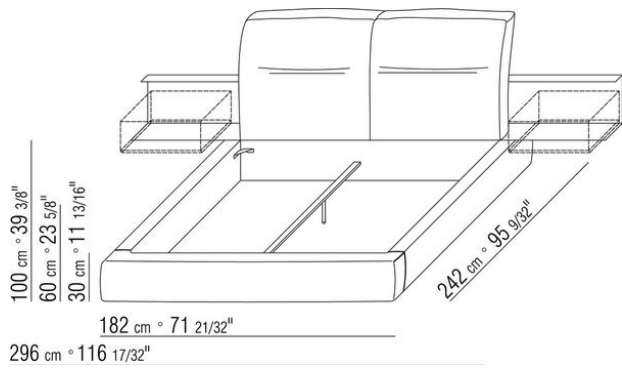
COD. 0243R6



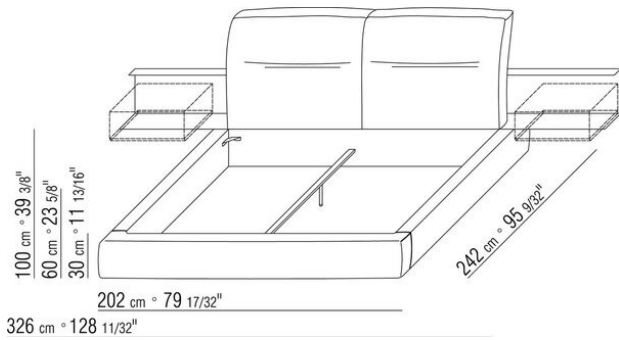
COD. 0243R8



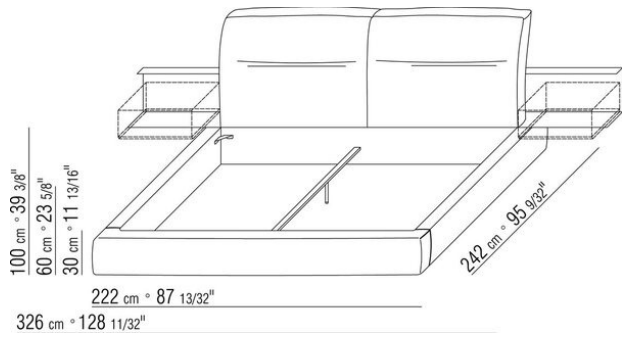
COD. 0243YA



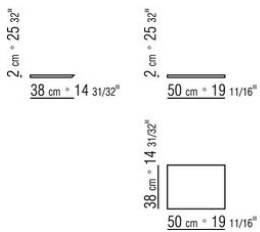
COD. 0243YC



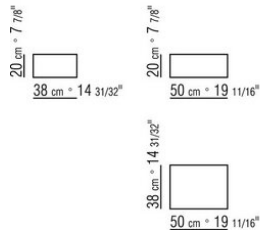
COD. 0243YE



COD. 024370



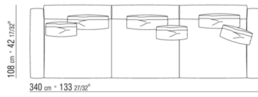
COD. 024372





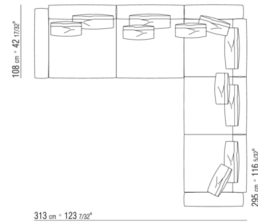
0243XA

- N.2 COD.024341 - ARMREST W/MOVEMENT CM.103 x36
- N.3 COD.024305 - UNIT CM.100 x108
- N.3 COD.024398 - CUSHION CM.45 x45
- N.3 COD.024399 - CUSHION CM.60 x50



0243XB

- N.1 COD.024341 - ARMREST W/MOVEMENT CM.103 x36
- N.2 COD.024305 - UNIT CM.100 x108
- N.1 COD.024345 - ARMREST FIXED CM.88 x20
- N.3 COD.024302 - UNIT CM.85 x93
- N.1 COD.024340 - ARMREST W/MOVEMENT CM.88 x36
- N.6 COD.024398 - CUSHION CM.45 x45
- N.5 COD.024399 - CUSHION CM.60 x50



0243XC

- N.1 COD.024341 - ARMREST W/MOVEMENT CM.103 x36
- N.3 COD.024305 - UNIT CM.100 x108
- N.1 COD.024345 - ARMREST FIXED CM.88 x20
- N.2 COD.024302 - UNIT CM.85 x93
- N.1 COD.024350 - OTTOMAN CM.100 x85
- N.5 COD.024398 - CUSHION CM.45 x45
- N.5 COD.024399 - CUSHION CM.60 x50

