

# Kress

## Commercial



60V 11Ah Backpack CyberPack	EN	P03
CyberPack de 60 V 11 Ah para Mochila	ES	P08
CyberPack sac à dos 60V 11Ah	F	P13

**KAC810**

# TABLE OF CONTENTS

Introduction.....	2
Component List.....	3
Safety Instructions.....	4
OperationInstructions.....	6
How to charge the battery.....	6
Storage.....	6
Transport.....	7
Maintenance and Service.....	7
Technical Data.....	7

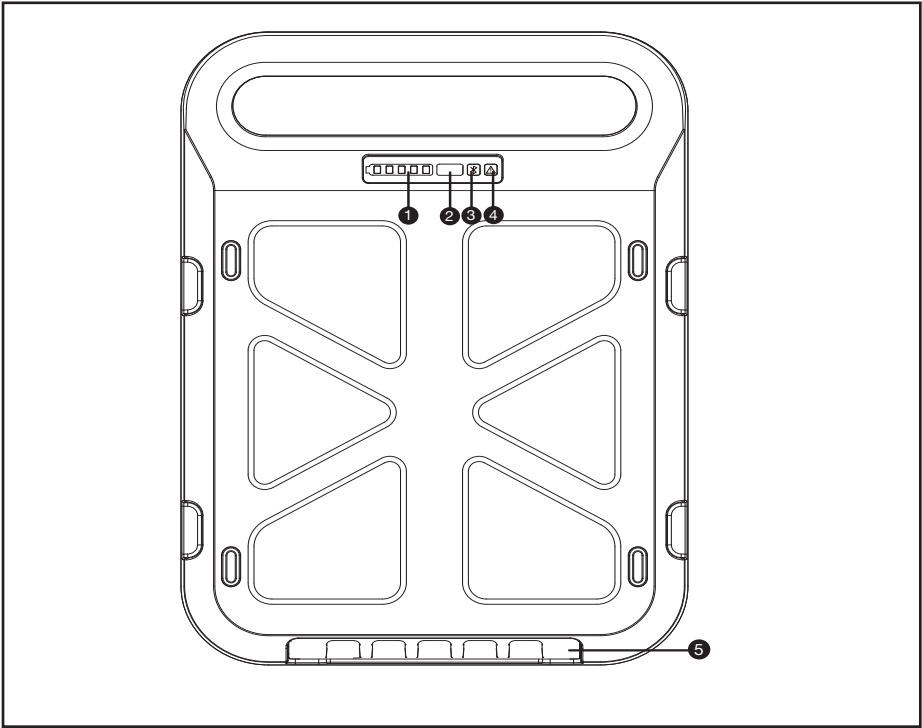
## INTRODUCTION

Dear Customer,

Thank you for buying this Kress Commercial product. We are dedicated to developing high quality products to meet your commercial landscaping requirements.

The Kress brand is synonymous with premium quality service. Over the years of your product's life, if you have any questions or concerns about your product, please contact your dealer or our Customer Service Team for assistance.

We are confident you will enjoy working with your Kress product for years to come.



## COMPONENT LIST

- |    |                           |
|----|---------------------------|
| 1. | BATTERY INDICATOR LIGHT   |
| 2. | POWER TEST BUTTON         |
| 3. | BLUETOOTH INDICATOR LIGHT |
| 4. | FAULT INDICATOR LIGHT     |
| 5. | DUST FILTER               |

# SAFETY INSTRUCTIONS

## GENERAL SAFETY WARNINGS



**WARNING:** This product can expose you to chemicals including lead and Di(2-ethylhexyl)phthalate (DEHP) which are known to the State of California to cause cancer and birth defects or other reproductive harm. For more information go to [www.P65Warnings.ca.gov](http://www.P65Warnings.ca.gov).



**WARNING** Read all safety warnings and all instructions. *Failure to follow the warnings and instructions may result in electric shock, fire and/or serious injury.*

Save all warnings and instructions for future reference.

Use battery pack for Kress cordless products only. Refer to the marking label and instruction manual provided with product.

## SAFETY WARNINGS FOR BATTERY PACK

- a) Do not dismantle, open or shred cells or battery pack.
- b) Do not expose battery pack to heat or fire. Avoid storage in direct sunlight.
- c) Do not short-circuit a battery pack. Do not store battery packs haphazardly in a box or drawer where they may short-circuit each other or be short-circuited by other metal objects. When battery pack is not in use, keep it away from other metal objects, like paper clips, coins, keys, nails, screws or other small metal objects, that can make a connection from one terminal to another. Shorting the battery terminals together may cause burns or fire.
- d) Do not subject battery pack to mechanical shock.
- e) In the event of battery leaking, do not allow the liquid to come in contact with the skin or eyes. If contact has been made, wash the affected area with copious amounts of water and seek medical advice.
- f) Do not use any battery pack which is not designed for use with the equipment.
- g) Keep battery pack out of the reach of children.
- h) Always purchase the battery pack recommended by the device manufacturer for the equipment.
- i) Keep battery pack clean and dry.
- j) Wipe the battery pack terminals with a clean dry cloth if they become dirty.
- k) Battery pack needs to be charged before use. Always use the correct charger and refer to the manufacturer's instructions or equipment manual for proper charging instructions.
- l) Do not leave battery pack on prolonged

- m) After extended periods of storage, it may be necessary to charge and discharge the battery pack several times to obtain maximum performance.
- n) Recharge only with the charger specified by Kress. Do not use any charger other than that specifically provided for use with the equipment.
- o) Retain the original product literature for future reference.
- p) Use only the battery pack in the application for which it was intended.
- q) Remove the battery pack from the equipment when not in use.
- r) Dispose of properly.
- s) Do not mix cells of different manufacture, capacity, size or type within a device.
- t) Keep the battery away from microwaves and high pressure.

## ADDITIONAL SAFETY WARNING FOR COMMERCIAL BATTERY PACK

1. Use the battery pack for Kress Commercial cordless products only.
2. Use the battery pack only with KAC840 battery charger or additional battery chargers listed in operator's manual.
3. Use the battery pack only with KAC875L and KAC877L power station or additional power station listed in operator's manual.
4. In order to obtain the best performance, please pay attention to the following ambient temperature range, do not charge, use, or store in the case of exceeding the following temperature range:
  - a) Charging temperature range: 23°F~113 °F (-5°C~45°C)
  - b) Discharge temperature range: -4°F~113 °F (-20°C~45°C)
  - c) Storage temperature range: 41°F~77 °F (5°C~25°C)
5. To reduce the risk of electric shock, fire and explosion due to short circuits:
  - a) If the battery is exposed to rain during operation, please remove it from the product and let it dry indoors. Make sure it is completely dry before charging or re-using it.
  - b) Do not immerse the battery in water or other liquids.
  - c) Do not bridge battery terminals with wires or other metal objects.
  - d) The battery pack should be kept away from small conductive metal objects (such as paper clips, nails, coins, keys, etc.).
  - e) Store batteries indoors in a dry room.
  - f) Do not store the battery in a humid or corrosive environment, or in an environment that

may cause its metal parts to corrode.

- g) Protects batteries from exposure to corrosive substances such as gardening chemicals and deicing salts.
  - h) Never store batteries inside power tools.
  - i) When storing the battery, keep the battery with a charge between 40% to 60% (3 green lights are illuminated).
  - j) If the battery pack needs to be shipped by air separately, the charge cannot exceed 30%.
  - k) If storing the battery in the charger, disconnect the charger from the outlet.
  - l) Do not attempt to repair, open or disassemble the battery. There are no user-serviceable parts inside.
  - m) To reduce the risk of personal injury from accidental activation, always remove the battery before assembling, transporting, adjusting, cleaning, servicing or storing the power tool.
6. A battery fire is dangerous. To reduce the risk of serious personal injury and property damage in the event of a fire:
- a) Evacuate the area. Fires can spread quickly. Keep away from any generated gas and fumes and keep a safe distance.
  - b) Contact the fire department.
  - c) While water can be used to extinguish battery fires, it is best to use a multi-purpose dry chemical fire extinguisher.
  - d) Please consult the fire department for proper disposal of burned batteries.
7. Leaking battery fluid can cause skin and eye irritation or chemical burns.
- a) Avoid contact with skin and eyes.
  - b) If liquid gets in eyes: Do not rub. Flush open eyes with water for at least 15 minutes, and seek medical advice.
  - c) In case of accidental contact, wash the contact area immediately and thoroughly with mild soap and water.
  - d) Use an inert absorbent such as sand on spilled liquid.





## USER MANUAL REQUIREMENTS FOR WIRELESS PRODUCT

- a) This device complies with part 15 of the FCC Rules. Operation is subject to the following two conditions:
  - (1) This device may not cause harmful interference, and
  - (2) this device must accept any interference received, including interference that may cause undesired operation.
- b) Caution: Changes or modifications to this unit not expressly approved by the party responsible for compliance could void the user's authority to operate the equipment.
- c) This device contains licence-exempt transmitter(s)/receiver(s) that comply with Innovation, Science and Economic Development

Canada's licence-exempt RSS(s). Operation is subject to the following two conditions:

- (1) This device may not cause interference.
  - (2) This device must accept any interference, including interference that may cause undesired operation of the device.
- d) NOTE: This equipment has been tested and found to comply with the limits for a Class B digital device, pursuant to part 15 of the FCC Rules. These limits are designed to provide reasonable protection against harmful interference in a residential installation. This equipment generates, uses and can radiate radio frequency energy and, if not installed and used in accordance with the instructions, may cause harmful interference to radio communications. However, there is no guarantee that interference will not occur in a particular installation. If this equipment does cause harmful interference to radio or television reception, which can be determined by turning the equipment off and on, the user is encouraged to try to correct the interference by one or more of the following measures:
- Reorient or relocate the receiving antenna.
  - Increase the separation between the equipment and receiver.
  - Connect the equipment into an outlet on a circuit different from that to which the receiver is connected.
  - Consult the dealer or an experienced radio/TV technician for help.

## SYMBOLS

	To reduce the risk of injury, user must read instruction manual
	Li-Ion battery, battery must be recycled
	Do not burn
	Batteries may enter water cycle if disposed improperly, which can be hazardous for ecosystem. Do not dispose of waste batteries as unsorted municipal waste.



call2recycle®

POSITEC Inc. has established a partnership with the RBRC Corporation to recycle any Positec batteries with the RBRC-call2recycle seal. For environmental protection, please do not discard batteries in the trash. After the batteries' life cycle is ended, then please call 1-800-822-8837 for a free service that will properly dispose of the battery.

## OPERATION INSTRUCTIONS

### Recommendations for optimal handling of the battery

#### Note:

1. Your battery pack is partly charged and needs to be fully charged before first use. To ensure full capacity of the battery, completely charge the battery in the battery charger before using your battery in the power tool for the first time.
2. A battery pack will slowly lose its charge when kept out of the charger or left in an unplugged charger for a long time. It may need to be recharged before use.

The CyberPack can be used with a backpack, please refer to the backpack manual for details.

When over-discharge, over-charge, over-temperature and low-temperature faults occur while the battery pack is being charged on the charger or used on the machine, the user will receive a fault prompt, and the charger or the machine will stop charging or working.

The Li-Ion battery can be charged at any time without reducing its service life. Interrupting the charging procedure does not damage the battery.

The battery level can be determined from the battery indicator light by pressing the power test button. Before starting or after use, press the power test button on the battery pack to check the battery capacity.

Remarks	LED light	Battery condition
Five green lights are illuminated.		80% ≤ Power level ≤ 100%
Four green lights are illuminated.		60% ≤ Power level < 80%

Three green lights are illuminated.		40% ≤ Power level < 60%
Two green lights are illuminated.		20% ≤ Power level < 40%
One green light is illuminated.		10% ≤ Power level < 20%
One green light is flashing.		0% ≤ Power level < 10%

You can see the relevant status of the battery through the status of the Bluetooth indicator light and the fault indicator light.

Remarks	Battery condition
Bluetooth indicator light is illuminated.	Bluetooth is connected.
Bluetooth indicator light is not illuminated.	Bluetooth is not connected.
Fault indicator light is illuminated.	Battery failure, prohibit charging and discharging.
Fault indicator light is not illuminated.	It is normal.

When the battery pack fails, the fault indicator will light up, and you can view the specific fault cause and solution through the APP.

## HOW TO CHARGE THE BATTERY

Refer to the instruction manual for charger.

## STORAGE

Store the battery only within a temperature range between 41~77 °F (5~25°C).

When kept out of the charger or left in an unplugged charger for a long time, the battery still reaches a relatively high level.

A significantly reduced working period after charging indicates that the battery is used and must be replaced.

# TRANSPORT

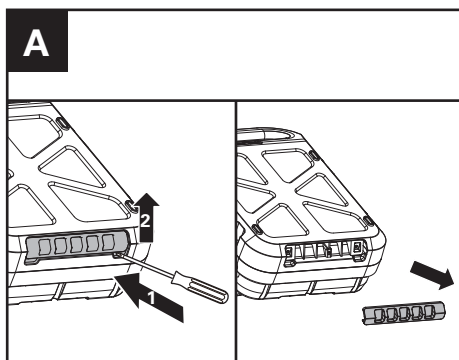
The contained Li-Ion batteries are subject to the dangerous goods legislation requirements. The user can transport the batteries by road without additional requirements.

Dispatch batteries only when the battery housing is undamaged. Pack up the batteries in such a manner that cannot move around in the packaging.

# MAINTENANCE AND SERVICE

Occasionally clean the venting slots of the battery using a soft, clean and dry brush.

When the dust filter on the battery is blocked, it needs to be removed and rinsed with water. After drying, put the dust filter back into the battery. To protect the battery, if the dust filter is damaged, please replace it in time. (See Fig. A)



When the battery is no longer operative, please refer to an authorized after-sales service agent for Kress power tools.

# TECHNICAL DATA

	<b>KAC810</b>
Rated voltage	60 V $\equiv$ MAX*
Battery capacity	11.0 Ah
Recommended Ambient Temperature for Charging	23~113 °F (-5~45 °C)
Optimum Storage Temperature in Use	41~77 °F (5~25°C)
Machine Weight	17 lbs (7.7 kg)
Degree of protection	IPX5
Frequency bands for Bluetooth	2400-2483.5 MHz

Maximum Output Power for Bluetooth	8 dBm
------------------------------------	-------

\* Voltage measured without workload. Initial battery voltage reaches maximum of 60 volts. Nominal voltage is 54 volts.

EN

# TABLA DE CONTENIDO

Introducción.....	8
Lista de partes.....	9
Advertencias de Seguridad.....	10
Instrucciones de Operación.....	12
¿Cómo Cargar la Batería?.....	13
Almacenamiento.....	13
Transporte.....	13
Mantenimiento y reparación.....	13
Datos Técnicos.....	13

## INTRODUCCIÓN

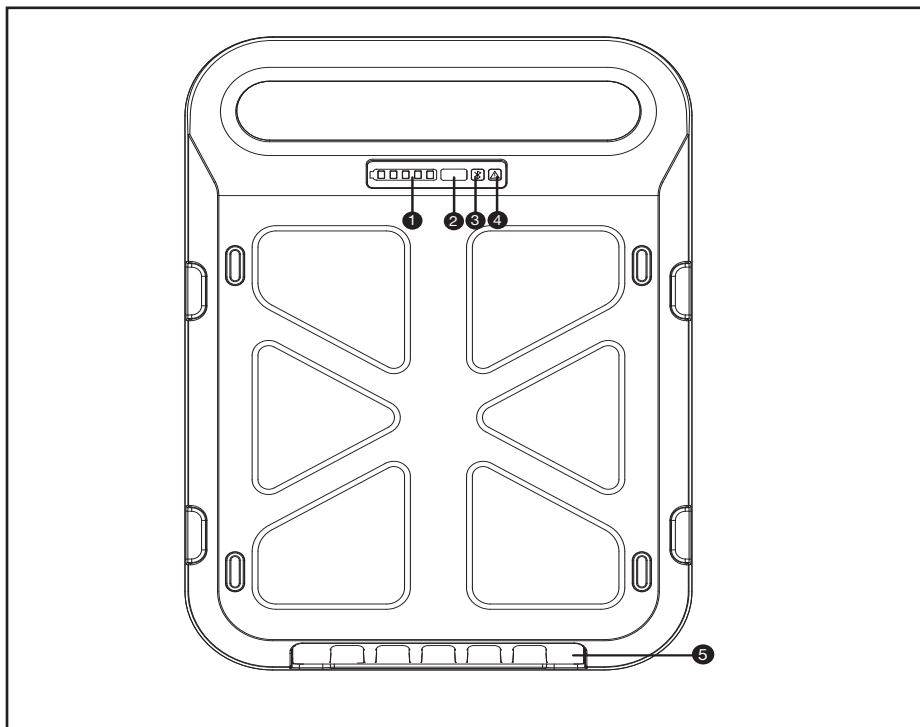
Estimado Cliente,

Gracias por comprar este producto Kress Commercial. Nos dedicamos a desarrollar productos de alta calidad para satisfacer sus necesidades de paisajismo comercial.

Kress respalda un servicio de calidad superior. Durante la vida útil de su producto, si tiene alguna pregunta o duda sobre su producto, póngase en contacto con su distribuidor o con nuestro equipo de atención al cliente para que reciba asistencia.

Esperamos que disfrute trabajar con su producto Kress.





## LISTA DE PARTES

- 
- |    |                             |
|----|-----------------------------|
| 1. | LUZ INDICADORA DE ENERGÍA   |
| 2. | BOTÓN DE PRUEBA DE ENERGÍA  |
| 3. | LUZ INDICADORA DE BLUETOOTH |
| 4. | LUZ INDICADORA DE FALLA     |
| 5. | FILTRO DE POLVO             |
-

## ADVERTENCIAS DE SEGURIDAD GENERAL PARA EL PAQUETE DE BATERÍA



**ADVERTENCIA:** Este producto puede exponerlo a sustancias químicas, como plomo y di (2-etilhexilo) ftalato (DEHP), que el estado de California reconoce como causantes de cáncer y defectos de nacimiento u otros daños reproductivos. Para más información visite [www.P65Warnings.ca.gov](http://www.P65Warnings.ca.gov).



**¡ADVERTENCIA!** Lea y comprenda todas las instrucciones. *El no seguir todas las instrucciones a continuación puede ocasionar descargas eléctricas, incendios y/o heridas graves.* Conserve todas las advertencias e instrucciones para consulta futura.

Use el paquete de batería para productos inalámbricos Kress únicamente. Consulte la etiqueta de marcado y el manual de instrucciones provistos con el producto.

## ADVERTENCIAS DE SEGURIDAD GENERAL PARA EL PAQUETE DE BATERÍA

- a) No desensamble, abra o triture el paquete de batería.
- b) No exponga el paquete de batería a calor o fuego. Evite guardar a la luz directa del sol.
- c) No ponga en corto circuito el paquete de batería. No guarde el paquete de batería de forma aleatoria en una caja o cajón donde puedan ponerse en corto circuito entre sí o ponerse en corto circuito por otros objetos metálicos. Cuando el paquete de batería no esté en uso, manténgalo alejado de otros objetos metálicos, como sujetadores de papel, monedas, llaves, clavos, tornillos u otros objetos metálicos pequeños que puedan establecer una conexión de una terminal a otra. El corto circuito de las terminales de la batería puede causar quemaduras o incendios.
- d) No someta el paquete de batería a impacto mecánico.
- e) En el caso de fuga de la batería, no permita que el líquido entre en contacto con la piel o los ojos. Si hay contacto, lave el área afectada con bastante agua y busque atención médica.
- f) No use ningún paquete de batería que no esté diseñado para uso con el equipo.
- g) Mantenga el paquete de batería fuera del alcance de los niños.
- h) Siempre adquiera el paquete de batería recomendado por el fabricante del

dispositivo para el equipo.

- i) Mantenga el paquete de batería limpio y seco.
- j) Limpie las terminales del paquete de batería con una tela seca limpia su se ensucian.
- k) El paquete de batería se necesita cargar antes del uso. Siempre use el cargador correcto y consulte las instrucciones del fabricante o el manual del equipo para saber las instrucciones correctas de carga.
- l) No deje el paquete de batería en carga prolongada cuando no esté en uso.
- m) Después de periodos prolongados de almacenamiento, puede ser necesario cargar y descargar el paquete de batería varias veces para obtener el desempeño máximo.
- n) Recargue únicamente con el cargador especificado por Kress. No use cargadores que no sean los específicamente suministrados para uso con el equipo.
- o) Conserve la literatura el producto original para referencia futura.
- p) Sólo use el paquete de batería en la aplicación para la que está diseñado.
- q) Retire el paquete de batería del equipo cuando no esté en uso.
- r) Deséchelo adecuadamente.
- s) No mezcle celdas de diferente fabricación, capacidad, tamaño o tipo dentro del dispositivo.
- t) Mantenga la batería lejos de microondas y no la someta a altas presiones.

## ADVERTENCIAS DE SEGURIDAD ADICIONALES PARA EL PAQUETE DE BATERÍAS COMERCIAL

- 1. Use el paquete de baterías solamente para productos comerciales inalámbricos de Kress.
- 2. Use el paquete de baterías solo con el cargador de baterías KAC840 u otros cargadores de batería enumerados en el manual del operador.
- 3. Use el paquete de baterías solo con las estaciones de energía KAC875L y KAC877L u otras estaciones de energía enumeradas en el manual del operador.
- 4. Para que obtenga el mejor rendimiento, preste atención al siguiente intervalo de temperatura ambiente; no lo cargue, use ni guarde en caso que se salga de los siguientes intervalos de temperatura:
  - a) Intervalo de temperatura de carga: 23°F~113 °F (-5°C~45°C)
  - b) Intervalo de temperatura de descarga: -4°F~113 °F (-20°C~45°C)
  - c) Intervalo de temperatura de almacenamiento: 41°F~77 °F (5°C~25°C)
- 5. Para reducir el riesgo de descarga eléctrica, incendio y explosión debido a cortocircuitos:
  - a) Si la batería se expone a la lluvia durante su

funcionamiento, retirela del producto y déjela secar en interiores. Asegúrese de que esté completamente seca antes de cargarla o volver a usarla.

b) No sumerja la batería en agua ni en otros líquidos.

c) No puntee los terminales de la batería con alambres u otros objetos metálicos.

d) El paquete de baterías se debe mantener alejado de pequeños objetos conductores (tales como clips para papel, clavos, monedas, llaves, etc.).

e) Guarde las baterías en interiores en un lugar seco.

f) No guarde la batería en un ambiente húmedo o corrosivo, ni en un ambiente que pueda provocar que sus partes metálicas se corroan.

g) Proteja las baterías de la exposición a sustancias corrosivas como los productos químicos de jardinería y las sales para deshelar.

h) Nunca guarde las baterías dentro de herramientas eléctricas.

i) Cuando guarde la batería, manténgala con una carga entre 40 % y 60 % (3 luces verdes se iluminan).

j) Si el paquete de baterías se debe transportar por separado por avión, la carga no puede exceder 30 %.

k) Si almacena la batería en el cargador, desconéctelo del tomacorriente.

l) No intente reparar, abrir ni desarmar la batería. En su interior no hay piezas reparables por el usuario.

m) Para reducir el riesgo de lesiones personales debido a la activación accidental, siempre retire la batería antes de ensamblar, transportar, ajustar, limpiar, guardar la herramienta eléctrica, o darle mantenimiento.

6. Un incendio de baterías es peligroso. Para reducir el riesgo de lesiones personales graves y de daños a la propiedad en caso de un incendio:

a) Evacue la zona. Los incendios se pueden extender rápidamente. Manténgase lejos de los gases y vapores generados y manténgase a una distancia segura.

b) Comuníquese con los bomberos.

c) Aunque se puede usar agua para extinguir los incendios de baterías, es mejor usar un extintor químico seco multipropósito.

d) Consulte con los bomberos la correcta eliminación de baterías quemadas.

7. El líquido que se escapa de las baterías puede provocar irritación de la piel y los ojos, y quemaduras químicas.

a) Evite el contacto con los ojos y la piel.

b) Si le cae líquido en los ojos: No se los restriegue. Enjuague los ojos abiertos con agua al menos durante 15 minutos, y busque asistencia médica.

c) En caso de contacto accidental, lavar la zona de contacto inmediatamente y abundantemente con agua y jabón neutro.

d) Use un absorbente inerte como arena en el

líquido derramado.

## REQUISITOS DEL MANUAL DE USUARIO DEL PRODUCTO INALÁMBRICO

a) Este dispositivo cumple con la Parte 15 de las Regulaciones de la FCC. Su utilización está sujeta a las dos condiciones siguientes:

(1) Este dispositivo no puede provocar

interferencia dañina, y

(2) Este dispositivo debe admitir cualquier interferencia recibida, incluso interferencia que pueda provocar un funcionamiento no deseado.

b) Precaución: Los cambios o modificaciones a esta unidad no autorizados expresamente por la parte responsable de la conformidad podrían anular la autoridad del usuario a utilizar este equipo.

c) Este dispositivo contiene transmisores/ receptores exentos de licencia que cumplen las RSS de exención de licencia del Ministerio de Industrias de Canadá. Su utilización está sujeta a las dos condiciones siguientes:





(1) Este dispositivo no puede provocar interferencia.

(2) Este dispositivo debe admitir cualquier interferencia, incluso interferencia que pueda provocar un funcionamiento no deseado del dispositivo.

d) NOTA: Este equipo ha sido probado y se comprobó que cumple con los límites para un dispositivo digital Clase B, de conformidad con la Parte 15 de las Regulaciones de la FCC. Estos límites están diseñados para proporcionar una protección razonable contra las interferencias perjudiciales en una instalación residencial. Este equipo genera, usa y puede radiar energía de radiofrecuencias y, si no se instala y usa de acuerdo con las instrucciones, puede provocar interferencia dañina a las radiocomunicaciones. No obstante, no hay garantía de que no causará interferencia en una instalación específica. Si este equipo provoca interferencia dañina a la recepción de radio o televisión, lo cual se puede determinar encendiendo y apagando el equipo, se alienta al usuario para que intente corregir la interferencia mediante una o más de las siguientes medidas:

- Reorientar o reubicar la antena receptora.
- Aumentar la separación entre el equipo y el receptor.
- Conectar el equipo a una toma de corriente de un circuito diferente al que está conectado el receptor.
- Consultar al distribuidor o a un técnico de radio/televisión con experiencia para que le ayude.

# SÍMBOLOS

	Para reducir el riesgo de lesiones, el usuario deberá leer el manual de instrucciones.
	Batería de Ion de litio, la batería se debe reciclar
	No arrojar al fuego
	Las baterías pueden entrar al ciclo de agua si se desechan incorrectamente, lo que puede ser peligroso para el ecosistema. No deseches las baterías de desperdicio como desperdicio municipal sin clasificar.



call2recycle®

POSITEC Inc. ha establecido una asociación con la empresa RBRC para el reciclaje de todas las baterías Positec que posean el sello RBRCcall2recycle. Para contribuir con la protección del medio ambiente, no deseches las baterías como residuos normales. Después de que haya finalizado el ciclo de vida útil de la batería, comuníquese al 1.800-822-8837 para acceder al servicio gratuito que realizará el desecho correcto de la batería.

## INSTRUCCIONES DE OPERACIÓN

### Recomendaciones para el manejo óptimo de la batería

#### Nota:

1. Su paquete de baterías está cargado parcialmente y tiene que cargarse completamente antes del primer uso. Para asegurar la capacidad total de la batería, cargue completamente la batería en el cargador antes de usar por primera vez su batería en la herramienta eléctrica.
2. Un paquete de baterías perderá lentamente su carga si se mantiene fuera del cargador o se deja en un cargador desenchufado durante mucho tiempo. Es posible que haya que recargarlo antes de su uso.







El CyberPack se puede utilizar con una mochila, por favor, consulte el manual de la mochila para más detalles.

Cuando se producen fallas por sobredescarga,

sobrecarga, sobretemperatura y baja temperatura mientras el paquete de baterías se está cargando en el cargador o se utiliza en la máquina, el usuario recibirá un aviso de falla, y el cargador o la máquina dejarán de cargar o funcionar.

La batería de Li-Ion se puede cargar en cualquier momento sin disminuir su vida útil. Interrumpir el procedimiento de carga no daña la batería.

El nivel de la batería puede conocerse a través de la luz indicadora de la batería pulsando el botón de prueba de energía. Antes del encendido o después del uso, presione el botón de prueba de energía en el paquete de baterías para comprobar la capacidad de la batería.

Observaciones	Luz LED	Estado de la batería
Cinco luces verdes iluminadas.		80% ≤ Nivel de energía ≤ 100%
Cuatro luces verdes iluminadas.		60% ≤ Nivel de energía < 80%
Tres luces verdes iluminadas.		40% ≤ Nivel de energía < 60%
Dos luces verdes iluminadas.		20% ≤ Nivel de energía < 40%
Una luz verde iluminada.		10% ≤ Nivel de energía < 20%
Una luz verde está parpadeando.		0% ≤ Nivel de energía < 10%

Se puede conocer el estado actual de la batería a través del estado de la luz indicadora de Bluetooth y de la luz indicadora de fallas.

Observaciones	Estado de la batería
La luz indicadora de Bluetooth está iluminada.	Está conectado el Bluetooth.
La luz indicadora de Bluetooth no está iluminada.	No está conectado el Bluetooth.

La luz indicadora de falla está iluminada.	Falla de la batería, prohíbe la carga y la descarga.
La luz indicadora de falla no está iluminada.	Es normal.

Cuando el paquete de baterías falla, el indicador de falla se enciende, y se puede ver la causa específica de la falla y la solución a través de la APP.

## ¿CÓMO CARGAR LA BATERÍA?

Consulte el manual de instrucciones para el cargador.

## ALMACENAMIENTO

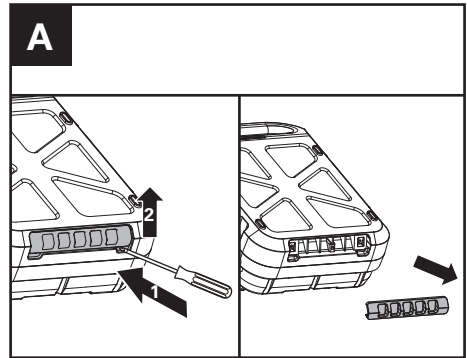
Guarde la batería solamente dentro de un rango de temperatura de entre 41~77 °F (5~25°C). Cuando se mantiene fuera del cargador o se deja en un cargador no enchufado durante mucho tiempo, la batería se tiene que recargar. Un periodo de tiempo de trabajo significativamente reducido después de la carga completa indica que la batería se debe sustituir.

## TRANSPORTE

Las baterías de Li-Ion contenidas están sometidas a las exigencias legislativas para las mercancías peligrosas. El usuario puede transportar las baterías por carretera sin requisitos adicionales. Transporte las baterías solo cuando la carcasa de las baterías esté en buen estado. Empaque las baterías de tal manera que no se puedan mover dentro del empaque.

## MANTENIMIENTO Y REPARACIÓN

Una que otra vez limpie las ranuras de ventilación de la batería con un cepillo blando, limpio y seco. Cuando el filtro de polvo de la batería está obstruido, es necesario retirarlo y enjuagarlo con agua. Una vez seco, vuelva a colocar el filtro de polvo en la batería. Para proteger la batería, si el filtro de polvo está dañado, sustitúyalo a tiempo. (Vea la Fig. A)



Cuando la batería ya no sea operativa, diríjase a un servicio de posventa autorizado para herramientas eléctricas Kress.

## DATOS TÉCNICOS

	KAC810
Voltaje nominal	60 V  MAX*
Capacidad de la batería	11.0 Ah
Temperatura ambiente recomendada para cargar	23~113 °F (-5~45 °C)
Temperatura óptima de almacenamiento y uso	41~77 °F (5~25°C)
Peso de la batería	17 lbs (7.7 kg)
Grado de protección	IPX5
Bandas de frecuencia para Bluetooth	2400-2483.5 MHz
Máxima potencia transmitida por Bluetooth	8 dBm

\* Voltaje medido sin carga de trabajo. El voltaje inicial de la batería alcanza un máximo de 60 voltios. El voltaje nominal es 54 voltios.

# TABLE DES MATIÈRES

Introduction.....	14
Liste des éléments.....	15
Instructions de Sécurité.....	16
Mode d'emploi.....	18
Comment Recharger la Batterie.....	19
Stockage.....	19
Transport.....	19
Entretien et Nettoyage.....	19
Données Techniques.....	19

---

## INTRODUCTION

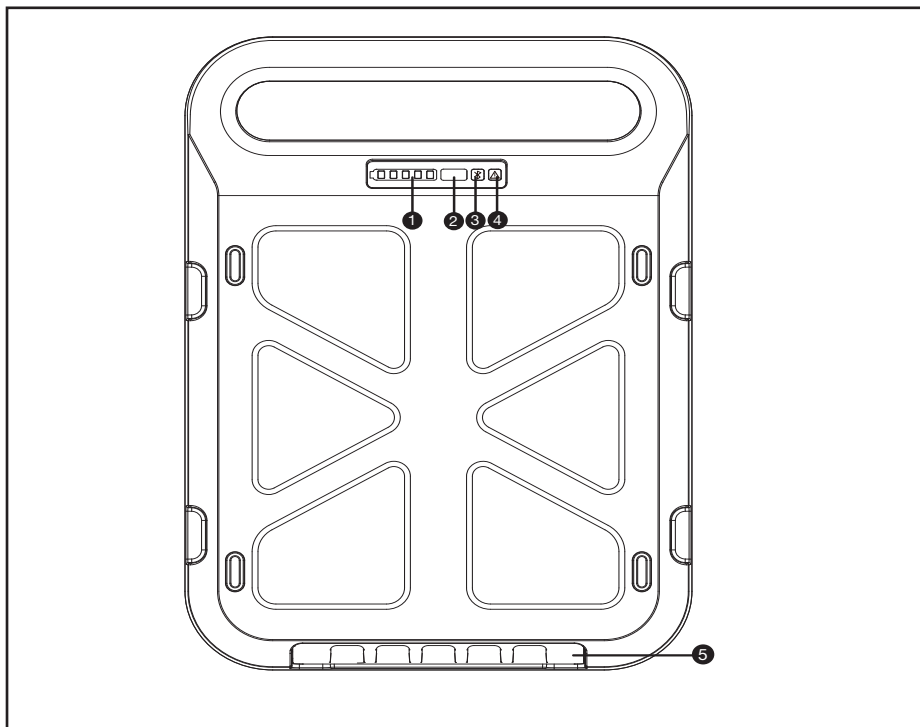
F

Cher client,

Merci d'avoir acheté ce produit Kress Commercial. Nous nous engageons à développer des produits de haute qualité pour répondre à vos besoins en matière d'aménagement paysager commercial.

Kress est synonyme de service de qualité supérieure. Au cours des années de vie de votre produit, si vous avez des questions ou des préoccupations concernant votre produit, veuillez contacter votre distributeur ou notre équipe du service à la clientèle pour obtenir de l'aide.

Nous espérons que vous aimerez travailler avec votre produit Kress.



## LISTE DES ÉLÉMENTS

1. TÉMOIN LUMINEUX D'ALIMENTATION
2. BOUTON DE TEST D'ALIMENTATION
3. TÉMOIN LUMINEUX BLUETOOTH
4. TÉMOIN LUMINEUX DE DÉFAILLANCE
5. FILTRE À POUSSIÈRE

# INSTRUCTIONS DE SÉCURITÉ

## CONSIGNES GÉNÉRALES DE SÉCURITÉ



**AVERTISSEMENT:** Ce dispositif peut vous exposer aux produits chimiques notamment le plomb et le di-phthalate (de 2-éthylhexyle) (DEHP) qui sont reconnus dans l'État de Californie comme causant des cancers et des anomalies congénitales ou d'autres anomalies de la reproduction. Pour en savoir plus, veuillez consulter le site [www.P65Warnings.ca.gov](http://www.P65Warnings.ca.gov).



**AVERTISSEMENT!** Lisez et assimilez toutes les instructions. *Le non-respect des instructions ci-après peut entraîner un risque de choc électrique, d'incendie et/ou de blessures graves.*

Conservez tous les avertissements et instructions pour pouvoir les consulter ultérieurement.

Utilisez le bloc-batterie pour les produits sans fil Kress uniquement. Référez-vous à l'étiquette de marquage et au manuel d'utilisation fourni avec le produit.

## CONSIGNES GÉNÉRALES DE SÉCURITÉ CONCERNANT LA BATTERIE

- a) Ne pas démonter, ouvrir ou déchiqueter le bloc batterie.
- b) Ne pas exposer le bloc batterie à la chaleur ou au feu. Évitez de ranger la batterie dans un endroit exposé à la lumière directe du soleil.
- c) Ne pas court-circuiter une batterie. Ne stockez pas les blocs batterie en vrac dans une boîte ou un tiroir où ils peuvent se court-circuiter ou être court-circuités par d'autres objets métalliques. Lorsque le bloc batterie n'est pas utilisé, conservez-le loin d'autres objets métalliques, tels que des trombones, des pièces de monnaie, des clés, des clous, des vis ou d'autres objets métalliques de petite taille, qui pourraient établir une connexion d'un terminal à l'autre. Le fait de créer un court-circuit entre les bornes de la batterie peut causer des brûlures ou des incendies.
- d) Ne pas soumettre la batterie à des chocs mécaniques.
- e) En cas de fuite de la batterie, ne pas laisser le liquide entrer en contact avec la peau ou les yeux. Si un contact a été effectué, laver la zone touchée avec beaucoup d'eau et consulter un médecin.

- f) Ne pas utiliser de batterie qui n'a pas été conçue pour être utilisée avec cet appareil.
- g) Maintenez la batterie hors de portée des enfants.
- h) Achetez toujours une batterie recommandée par le fabricant de l'appareil.
- i) Conservez le bloc batterie propre et sec.
- j) Essuyez les bornes de la batterie avec un chiffon propre et sec si elles deviennent sales.
- k) La batterie doit être chargée avant son utilisation. Utilisez toujours le chargeur adapté et reportez-vous aux instructions du fabricant ou au manuel de l'équipement pour suivre les instructions concernant la procédure de charge.
- l) Ne laissez pas le bloc batterie en charge prolongée lorsqu'il n'est pas utilisé.
- m) Après de longues périodes de stockage, il peut être nécessaire de charger et de décharger la batterie plusieurs fois pour obtenir des performances optimales.
- n) Rechargez le bloc batterie uniquement avec le chargeur spécifié par Kress. N'utilisez pas un chargeur autre que celui spécifiquement conçu pour être utilisé avec l'équipement.
- o) Conservez la documentation originale du produit pour référence ultérieure.
- p) Utilisez uniquement la batterie dans l'application pour laquelle elle a été prévue.
- q) Retirez la batterie de l'équipement lorsqu'il n'est pas utilisé.
- r) Éliminez la batterie de façon adéquate.
- s) Ne pas mélanger des cellules de fabricants, de capacités, de tailles ou de type différents dans un appareil.
- t) N'exposez pas la batterie à des microondes et de la haute pression.

## AVERTISSEMENT DE SÉCURITÉ SUPPLÉMENTAIRE POUR LE BLOC DE BATTERIES COMMERCIAL

1. Utilisez le bloc de batteries uniquement pour les produits sans fil de Kress Commercial.
2. Utilisez le bloc de batteries uniquement avec le chargeur de batterie KAC840 ou les chargeurs de batterie supplémentaires répertoriés dans le manuel d'utilisation.
3. Utilisez le bloc de batteries uniquement avec le poste d'alimentation KAC875L et KAC877L ou les postes d'alimentation supplémentaires répertoriés dans le manuel d'utilisation.
4. Afin d'obtenir les meilleures performances, veuillez prêter attention à la plage de température ambiante suivante, ne pas recharger, utiliser ou entreposer en cas de dépassement de la plage de température



suivante:

- a) Plage de température de recharge:  
-5°C~-45°C (23°F~113 °F)
  - b) Plage de température de décharge:  
-20°C~45°C (-4°F~113 °F)
  - c) Plage de température d'entreposage:  
5°C~25°C (41°F~77 °F)
5. Pour réduire les risques de décharge électrique, d'incendie et d'explosion dus à des courts-circuits:
- a) Si la batterie est exposée à la pluie pendant son fonctionnement, veuillez la retirer du produit et la laisser sécher à l'intérieur. Assurez-vous qu'elle est complètement sèche avant de la recharger ou de la réutiliser.
  - b) Ne pas submerger la batterie dans l'eau ou autre liquide.
  - c) Ne pas effectuer de pontage des bornes de la batterie avec des fils ou d'autres objets métalliques.
  - d) Le bloc de batteries doit être tenu à l'écart des petits objets métalliques conducteurs (tels que trombones, clous, pièces de monnaie, clés, etc.).
  - e) Entrez les batteries à l'intérieur, dans une pièce sèche.
  - f) N'entrez pas la batterie dans un environnement humide ou corrosif, ou dans un environnement susceptible de provoquer la corrosion de ses parties métalliques.
  - g) Protégez les batteries contre l'exposition à des substances corrosives telles que les produits chimiques de jardinage et les sels de déneigement.
  - h) Ne rangez jamais les batteries à l'intérieur des outils électriques.
  - i) Lors de l'entreposage de la batterie, conservez la batterie avec une charge comprise entre 40 % et 60 % (3 voyants verts sont allumés).
  - j) Si le bloc de batteries doit être expédié séparément par avion, la charge ne doit pas dépasser 30 %.
  - k) Si vous rangez la batterie dans le chargeur, débranchez le chargeur de la prise.
  - l) N'essayez pas de réparer, d'ouvrir ou de démonter la batterie. Il n'y a aucune pièce réparable par l'utilisateur à l'intérieur.
  - m) Pour réduire le risque de blessures dues à une activation accidentelle, retirez toujours la batterie avant d'assembler, de transporter, de régler, de nettoyer, d'entretenir ou de ranger l'outil électrique.
6. Un incendie de batterie est dangereux. Pour réduire le risque de blessures graves et de dommages matériels en cas d'incendie:
- a) Évacuez la zone. Les incendies peuvent se propager rapidement. Tenez-vous à l'écart des gaz et fumées générés et gardez une distance de sécurité.
  - b) Contactez le service des incendies.
  - c) Bien que l'eau puisse être utilisée pour éteindre les feux de batteries, il est préférable d'utiliser un extincteur à poudre chimique à usages multiples.
  - d) Veuillez consulter le service des incendies pour l'élimination appropriée des batteries brûlées.
7. Une fuite de liquide de batterie peut provoquer une irritation de la peau et des yeux ou des brûlures chimiques.
- a) Évitez tout contact avec les yeux et la peau.
  - b) Si le liquide entre en contact avec les yeux: Ne pas frotter les yeux. Rincez les yeux ouverts à l'eau pendant au moins 15 minutes et consultez un médecin.
  - c) En cas de contact accidentel, lavez immédiatement et soigneusement la zone de contact avec de l'eau et du savon doux.
  - d) Utilisez un absorbant inerte tel que du sable sur le liquide renversé.

## EXIGENCES RELATIVES AU MANUEL D'UTILISATION D'UN PRODUIT SANS FIL

- a) Ce dispositif est conforme à la partie 15 des règles du FCC. Son fonctionnement est soumis aux deux conditions suivantes:
  - (1) Cet appareil ne doit pas causer d'interférences nuisibles, et
  - (2) cet appareil doit accepter toute interférence reçue, y compris toute interférence pouvant entraîner un fonctionnement indésirable.
- b) AVERTISSEMENT: Les changements ou modifications de cet appareil non expressément approuvés par la partie responsable de la conformité pourraient annuler l'autorisation de l'utilisateur à faire fonctionner l'équipement.
- c) Cet appareil contient un ou plusieurs émetteurs/récepteurs exemptés de licence qui sont conformes aux CNR d'Innovation, Sciences et Développement Économique Canada applicables aux appareils radio exempts de licence. Son fonctionnement est soumis aux deux conditions suivantes:
  - (1) Cet appareil ne doit pas causer d'interférences nuisibles.
  - (2) Cet appareil doit accepter toute interférence reçue, y compris toute interférence pouvant entraîner un fonctionnement indésirable.
- d) REMARQUE: Cet équipement a été examiné et s'est avéré être conforme aux limites pour un dispositif numérique de la classe B, conformément à la partie 15 des règles du FCC. Ces limites sont conçues pour assurer la protection raisonnable contre une interférence dommageable dans une installation résidentielle. Cet équipement génère, utilise et peut émettre une énergie de fréquence radio et, s'il n'est pas installé et utilisé conformément aux instructions, il peut causer des interférences nuisibles aux communications radio. Cependant, il n'y a aucune garantie que l'interférence ne se produira pas dans une installation particulière. Si cet équipement cause une interférence dommageable à un radio ou

à la réception d'émissions télévisées, laquelle peut être déterminée en allumant ou éteignant l'équipement, l'utilisateur est encouragé à essayer de corriger l'interférence par une ou plusieurs des mesures suivantes:

- Réorienter ou replacer l'antenne de réception.
- Augmenter la séparation entre l'équipement et le récepteur.
- Relier l'équipement dans une prise sur un circuit différent de celui auquel le récepteur est connecté.
- Consulter le revendeur ou un technicien expérimenté de radio/TV pour de l'aide.

chargeur avant de l'utiliser dans l'outil électrique pour la première fois.

2. Un bloc de batteries perd lentement sa charge s'il est maintenu hors du chargeur ou laissé dans un chargeur débranché pendant une longue période. Il peut être nécessaire de le recharger avant de l'utiliser.





Le CyberPack peut être utilisé avec un sac à dos, veuillez vous référer au manuel du sac à dos pour plus de détails.

Lorsque des défaillances de sur-décharge, de surcharge, de surchauffe et de basse température se produisent pendant que la batterie est chargée sur le chargeur ou utilisée sur la machine, l'utilisateur reçoit un message d'erreur et le chargeur ou la machine cesse de se charger ou de fonctionner.

La batterie Li-Ion peut être chargée à tout moment sans réduire sa durée de vie. Interrompre la procédure de charge n'endommage pas la batterie.

Le niveau de la batterie peut être connu grâce au voyant de la batterie en appuyant sur le bouton de test d'alimentation. Avant de démarrer ou après l'utilisation, appuyez sur le bouton de test de l'alimentation sur la batterie pour vérifier la capacité de la batterie.

## SYMBOLES

	Afin de réduire les risques de blessure, l'utilisateur doit lire ce mode d'emploi.
	Batterie Li-Ion, les batteries doivent être recyclées
	Ne pas jeter au feu
	Les batteries peuvent s'introduire dans le cycle de l'eau si elles sont éliminées de manière inappropriée, ce qui peut être dangereux pour l'écosystème. Ne pas éliminer les batteries usagées avec les déchets municipaux non triés.



call2recycle®







POSITEC Inc. a formé un partenariat avec RBRC Corporation pour le recyclage des batteries Positec portant le sceau RBRC-call2recycle. Pour la protection de l'environnement, veillez à ne pas jeter les batteries aux poubelles. À la fin du cycle de vie de la batterie, appelez 1.800-822-8837 pour un service gratuit qui mettra la batterie au rebut selon les règles de l'art.

## MODE D'EMPLOI

### Recommandations pour un fonctionnement optimal de la batterie

#### Remarque:

1. Votre batterie est partiellement chargée et doit être complètement chargée avant la première utilisation. Pour assurer la pleine capacité de la batterie, chargez complètement la batterie dans le

Remarques	Voyant LED	État de la batterie
Cinq voyants verts sont allumés.		80% ≤ Niveau de puissance ≤ 100%
Quatre voyants verts sont allumés.		60% ≤ Niveau de puissance < 80%
Trois voyants verts sont allumés.		40% ≤ Niveau de puissance < 60%
Deux voyants verts sont allumés.		20% ≤ Niveau de puissance < 40%
Un voyant vert est allumé.		10% ≤ Niveau de puissance < 20%
Un feu vert clignote.		0% ≤ Niveau de puissance < 10%

Vous pouvez connaître l'état de la batterie grâce à l'état du témoin lumineux Bluetooth et du témoin lumineux de défaillance.

Remarques	État de la batterie
Le témoin lumineux Bluetooth est allumé.	Le Bluetooth est connecté.
Le témoin lumineux Bluetooth n'est pas allumé.	Le Bluetooth n'est pas connecté.
Le témoin lumineux Bluetooth n'est pas allumé.	Défaillance de la batterie, interdiction de la charger ou de la décharger.
Le témoin de défaillance n'est pas allumé.	C'est normal.

En cas de défaillance de la batterie, l'indicateur de défaillance s'allume et vous pouvez visualiser la cause et la solution de la défaillance via l'application.

## COMMENT RECHARGER LA BATTERIE

Reportez-vous au manuel d'utilisation du chargeur.

## STOCKAGE

Stockez la batterie uniquement dans une plage de température comprise entre 5~25°C (41~77 °F). Lorsqu'elle est rangée hors du chargeur ou laissée dans un chargeur débranché pendant une longue période, la batterie doit être rechargée. Une période de fonctionnement considérablement réduite après une charge complète indique que la batterie doit être remplacée.

## TRANSPORT

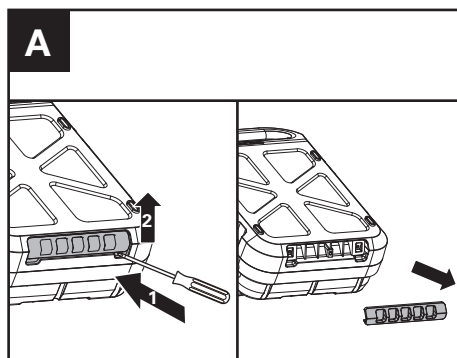
Les batteries Li-Ion contenues sont soumises aux exigences de la législation sur les marchandises dangereuses. L'utilisateur peut transporter les batteries sur route sans exigences supplémentaires. Transportez les batteries uniquement lorsque le boîtier de la batterie n'est pas endommagé. Emballez les batteries de manière à ne pas à ce qu'elles ne puissent pas bouger dans l'emballage.

## ENTRETIEN ET NETTOYAGE

Nettoyez occasionnellement les fentes d'aération de la batterie à l'aide d'une brosse douce, propre et sèche.

Lorsque le filtre à poussière de la batterie est

bouché, il faut le retirer et le rincer à l'eau. Après séchage, remettez le filtre à poussière dans la batterie. Pour protéger la batterie, si le filtre à poussière est endommagé, veuillez le remplacer. (Voir Fig. A)



Lorsque la batterie ne fonctionne plus, veuillez en référer à un technicien de service après-vente agréé pour les outils électriques Kress.

## DONNÉES TECHNIQUES

	KAC810	F
Tension nominale	60 V $\equiv$ MAX*	
Capacité de la batterie	11.0 Ah	
Température ambiante recommandée pour la charge	-5~45 °C (23~113 °F)	
Température optimale de stockage et de fonctionnement	5~25°C (41~77 °F)	
Poids de la batterie	7.7 kg (17 lbs)	
Degré de protection	IPX5	
Bandes de fréquences pour Bluetooth	2400-2483.5 MHz	
Puissance maximale transmise pour Bluetooth	8 dBm	

\* Tension mesurée sans charge de fonctionnement. La tension initiale de la batterie atteint un maximum de 60 volts. La tension nominale est de 54 volts.



Copyright © 2023, Positec. All Rights Reserved.  
Copyright © 2023, Positec. Tous droits réservés.

© Derechos reservados 2023, Positec. Todos los derechos reservados.  
AR01685001