



A.B.C. ANTONIO CITTERIO 1996
ARMCHAIRS

A.B.C. | ANTONIO CITTERIO | 1996

Structure in metal with satin, chrome, black chrome, burnished, glossy anthracite, matt titanium 710 finish. Rests on pads made of thermoplastic material.

Seat in plywood and metal with polyurethane foam padding, covered with a protective laminated fabric

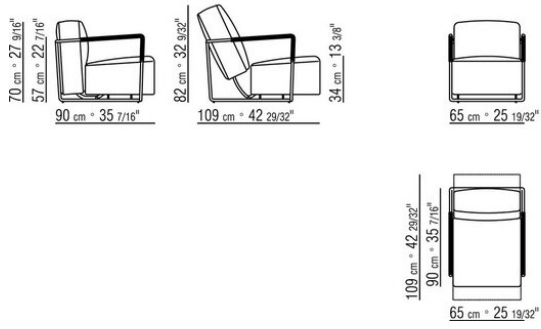
Backrest in plywood and metal with molded polyurethane padding, covered

with a protective laminated fabric. Patented recliner mechanism.

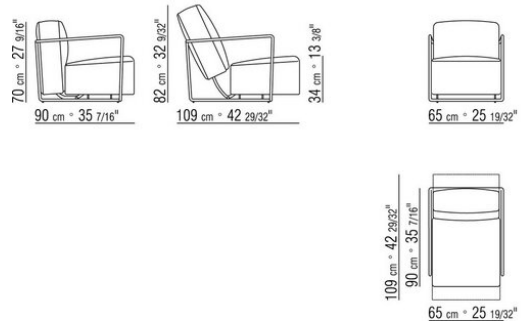
Upholstery is removable in both the fabric and leather versions.

Armchair code. 11B11 with metal armrests upholstered in cowhide in colors: black, tobacco, natural, dark brown, grey, olive and russian red

COD. 011B11



COD. 011B01



COD. 011B50

