



ALCAMO *ANTONIO CITTERIO* **2022**
COFFEE AND SIDE TABLES

ALCAMO | ANTONIO CITTERIO | 2022

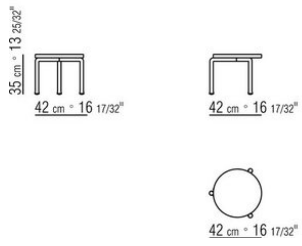
Structure in aluminum, epoxy powder-coat finish in colors: white 100, wine red 405, khaki green 705, burnished, matt titanium 710, grey; or, in embossed lacquered finish in white 300, sand 310, brick 320, sage green 330, terracotta 325, forest green 335, charcoal 350

Top turned aluminum sheet, epoxy powder-coat finish in the same color as the structure

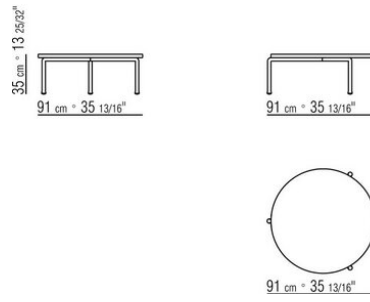
Feet rest on tips made of thermoplastic material

Cover in waterproof material; cover is upon request, with upcharge

COD. 02A8K0



COD. 02A8K2



COD. 02A8K6

