



FEEL GOOD TEN ANTONIO CITTERIO 2010

BEDS/BED ACCESSORIES

FEEL GOOD TEN | ANTONIO CITTERIO | 2010

Base frame in metal covered with fabric or leather

Platform in plywood with polyurethane foam padding, covered with a protective fabric

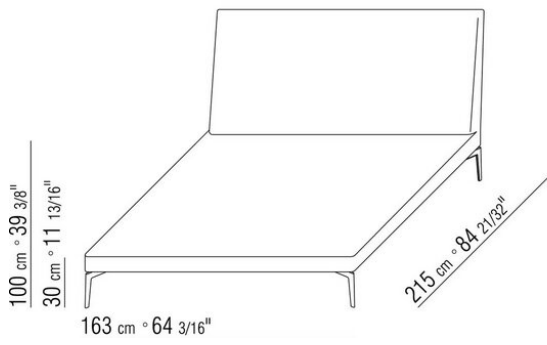
Headboard in solid wood with polyurethane foam padding, covered with a

protective laminated fabric

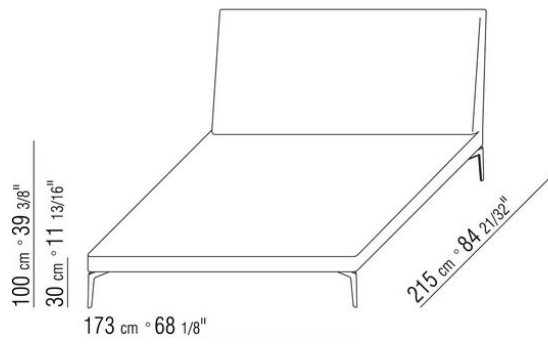
Feet in metal satined, chrome, burnished, black chrome, glossy anthracite. Rests on pads made of thermoplastic material

Upholstery is removable in both the fabric and leather versions

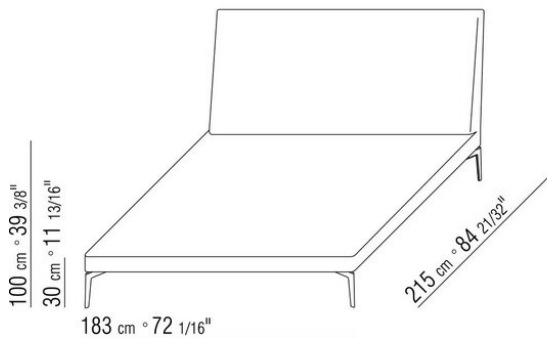
COD. 015DM1



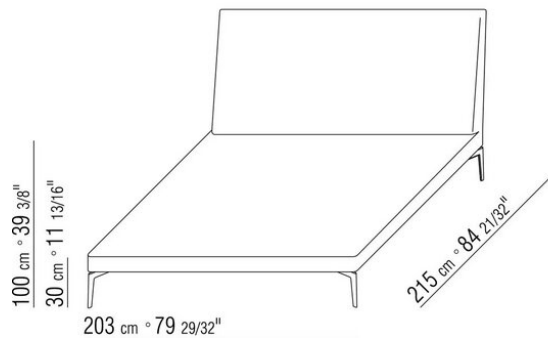
COD. 015DM2



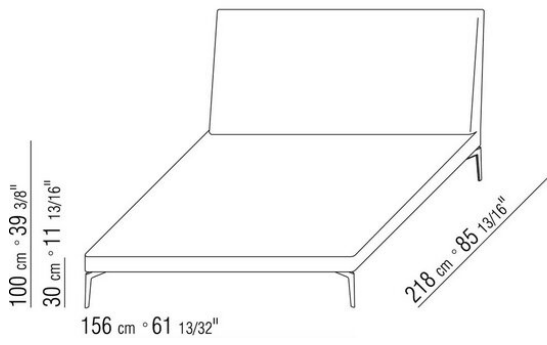
COD. 015DM3



COD. 015DM5



COD. 015DM6



COD. 015DM8

