

# Kress

# Commercial



## **SAFETY AND OPERATING MANUAL**

**Commercial hedge trimmer (Pruning)**

**KC200 KC200.X**



# TABLE OF CONTENTS

Introduction.....	3
Component List.....	4
Product Safety.....	5
Assembly & Operation.....	8
Transportation.....	11
Maintenance.....	11
Cleaning.....	12
Storage.....	12
Troubleshooting.....	13
Technical Data.....	14

## INTRODUCTION

Dear Customer,

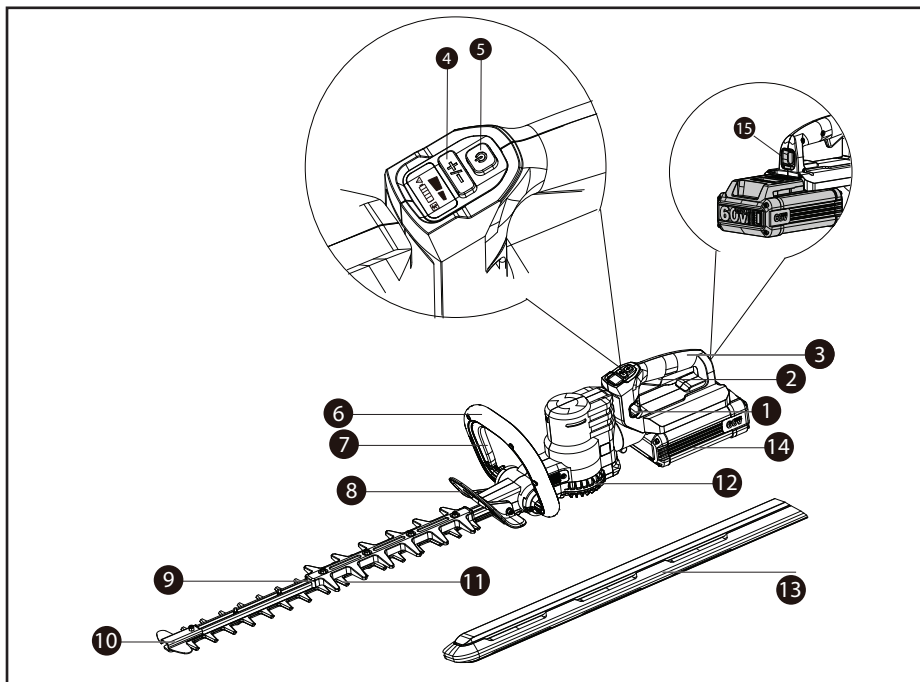
Thank you for buying this Kress Commercial product. We are dedicated to developing high quality products to meet your commercial landscaping requirements.

The Kress brand is synonymous with premium quality service. Over the years of your product's life, if you have any questions or concerns about your product, please contact your dealer or our Customer Service Team for assistance.

We are confident you will enjoy working with your Kress product for years to come.

## INTENDED USE

This machine is intended for cutting and trimming hedges and bushes in light and heavy commercial use.



## COMPONENT LIST

- |     |   |
|-----|---|
| 1.  | LOCKING SWITCH FOR ROTATING REAR HANDLE               |
| 2.  | THROTTLE TRIGGER                                      |
| 3.  | ROTATING REAR HANDLE                                  |
| 4.  | SPEED CONTROL BUTTON                                  |
| 5.  | ON/OFF SWITCH   |
| 6.  | FRONT HANDLE  |
| 7.  | OPERATOR PRESENCE SWITCH (ALL AROUND SWITCH FUNCTION) |
| 8.  | SAFETY GUARD  |
| 9.  | BLADE   |
| 10. | TIP PROTECTOR   |
| 11. | REAR BLADE GUARD                                      |
| 12. | METAL GEAR BOX  |
| 13. | BLADE SHEATH  |
| 14. | BATTERY PACK *  |
| 15. | BATTERY-RELEASE BUTTON                                |

\* Not all the accessories illustrated or described are included in standard delivery.

# PRODUCT SAFETY

## GENERAL POWER TOOL

### SAFETY WARNINGS



**WARNING** Read all safety warnings, instructions, illustrations and specifications provided with this power tool. Failure to follow all instructions listed below may result in electric shock, fire and/or serious injury.

Save all warnings and instructions for future reference.

The term “power tool” in the warnings refers to your mains-operated (corded) power tool or battery-operated (cordless) power tool.

#### 1. Work area safety

- a) **Keep work area clean and well lit.** *Cluttered or dark areas invite accidents.*
- b) **Do not operate power tools in explosive atmospheres, such as in the presence of flammable liquids, gases or dust.** *Power tools create sparks which may ignite the dust or fumes.*
- c) **Keep children and bystanders away while operating a power tool.** *Distractions can cause you to lose control.*

#### 2. Electrical safety

- a) **Power tool plugs must match the outlet. Never modify the plug in any way. Do not use any adapter plugs with earthed (grounded) power tools.** *Unmodified plugs and matching outlets will reduce risk of electric shock.*
- b) **Avoid body contact with earthed or grounded surfaces, such as pipes, radiators, ranges and refrigerators.** *There is an increased risk of electric shock if your body is earthed or grounded.*
- c) **Do not operate the machine in rain or wet conditions.** *This may increase the risk of electric shock. Once got wet in the rain during operation, the machine and the battery should be dried before storing or charging. Remove the battery and reinsert it if the machine fails to turn on. Keep battery connection free of dirt and debris, and clean with a soft and dry brush or cloth.*
- d) **Do not abuse the cord. Never use the cord for carrying, pulling or unplugging the power tool. Keep cord away from heat, oil, sharp edges or moving parts.** *Damaged or entangled cords increase the risk of electric shock.*
- e) **When operating a power tool outdoors, use an extension cord suitable for outdoor use.** *Use of a cord suitable for outdoor use reduces the risk of electric shock.*
- f) **If operating a power tool in a damp location is unavoidable, use a residual current device (RCD) protected supply.** *Use of an RCD reduces the risk of electric shock.*

#### 3. Personal safety

- a) **Stay alert, watch what you are doing and use common sense when operating a power**

**tool. Do not use a power tool while you are tired or under the influence of drugs, alcohol or medication.** *A moment of inattention while operating power tools may result in serious personal injury.*

- b) **Use personal protective equipment. Always wear eye protection.** *Protective equipment such as dust mask, non-skid safety shoes, hard hat, or hearing protection used for appropriate conditions will reduce personal injuries.*
  - c) **Prevent unintentional starting. Ensure the switch is in the off-position before connecting to power source and/or battery pack, picking up or carrying the tool.** *Carrying power tools with your finger on the switch or energising power tools that have the switch on invites accidents.*
  - d) **Remove any adjusting key or wrench before turning the power tool on.** *A wrench or a key left attached to a rotating part of the power tool may result in personal injury.*
  - e) **Do not overreach. Keep proper footing and balance at all times.** *This enables better control of the power tool in unexpected situations.*
  - f) **Dress properly. Do not wear loose clothing or jewellery. Keep your hair and clothing away from moving parts.** *Loose clothes, jewellery or long hair can be caught in moving parts.*
  - g) **If devices are provided for the connection of dust extraction and collection facilities, ensure these are connected and properly used.** *Use of dust collection can reduce dust-related hazards.*
  - h) **Do not let familiarity gained from frequent use of tools allow you to become complacent and ignore tool safety principles.** *A careless action can cause severe injury within a fraction of a second.*
- #### 4. Power tool use and care
- a) **Do not force the power tool. Use the correct power tool for your application.** *The correct power tool will do the job better and safer at the rate for which it was designed.*
  - b) **Do not use the power tool if the switch does not turn it on and off.** *Any power tool that cannot be controlled with the switch is dangerous and must be repaired.*
  - c) **Disconnect the plug from the power source and/or remove the battery pack, if detachable, from the power tool before making any adjustments, changing accessories, or storing power tools.** *Such preventive safety measures reduce the risk of starting the power tool accidentally.*
  - d) **Store idle power tools out of the reach of children and do not allow persons unfamiliar with the power tool or these instructions to operate the power tool.** *Power tools are dangerous in the hands of untrained users.*
  - e) **Maintain power tools and accessories. Check for misalignment or binding of moving parts, breakage of parts and any other condition that may affect the power tool's operation. If**

damaged, have the power tool repaired before use. *Many accidents are caused by poorly maintained power tools.*

- f) **Keep cutting tools sharp and clean.** *Properly maintained cutting tools with sharp cutting edges are less likely to bind and are easier to control.*
- g) **Use the power tool, accessories and tool bits etc. in accordance with these instructions, taking into account the working conditions and the work to be performed.** *Use of the power tool for operations different from those intended could result in a hazardous situation.*
- h) **Keep handles and gripping surfaces dry, clean and free from oil and grease.** *Slippery handles and grasping surfaces do not allow for safe handling and control of the tool in unexpected situations.*

#### 5. Battery tool use and care

- a) **Recharge only with the charger specified by the manufacturer.** *A charger that is suitable for one type of battery pack may create a risk of fire when used with another battery pack.*
- b) **Use power tools only with specifically designated battery packs.** *Use of any other battery packs may create a risk of injury and fire.*
- c) **When battery pack is not in use, keep it away from other metal objects, like paper clips, coins, keys, nails, screws or other small metal objects, that can make a connection from one terminal to another.** *Shorting the battery terminals together may cause burns or a fire.*
- d) **Under abusive conditions, liquid may be ejected from the battery; avoid contact. If contact accidentally occurs, flush with water. If liquid contacts eyes, additionally seek medical help.** *Liquid ejected from the battery may cause irritation or burns.*
- e) **Do not use a battery pack or tool that is damaged or modified.** *Damaged or modified batteries may exhibit unpredictable behaviour resulting in fire, explosion or risk of injury.*
- f) **Do not expose a battery pack or tool to fire or excessive temperature.** *Exposure to fire or temperature above 130 °C may cause explosion.*
- g) **Follow all charging instructions and do not charge the battery pack or tool outside the temperature range specified in the instructions.** *Charging improperly or at temperatures outside the specified range may damage the battery and increase the risk of fire.*

#### 6. Service

- a) **Have your power tool serviced by a qualified repair person using only identical replacement parts.** *This will ensure that the safety of the power tool is maintained.*
- b) **Never service damaged battery packs.** *Service of battery packs should only be performed by the manufacturer or authorized service providers.*

## HEDGE TRIMMER SAFETY WARNINGS:

- a) **Keep all parts of the body away from the blade. Do not remove cut material or hold material to be cut when blades are moving.** *Blades continue to move after the switch is turned off. A moment of inattention while operating the hedge trimmer may result in serious personal injury.*
- b) **Carry the hedge trimmer by the handle with the blade stopped and taking care not to operate any power switch.** *Proper carrying of the hedge trimmer will decrease the risk of inadvertent starting and resultant personal injury from the blades.*
- c) **When transporting or storing the hedge trimmer, always fit the blade cover.** *Proper handling of the hedge trimmer will decrease the risk of personal injury from the blades.*
- d) **When clearing jammed material or servicing the unit, make sure all power switches are off and the battery back is removed or disconnected.** *Unexpected actuation of the hedge trimmer while clearing jammed material or servicing may result in serious personal injury.*
- e) **Hold the hedge trimmer by insulated gripping surfaces only, because the blade may contact hidden wiring.** *Blades contacting a "live" wire may make exposed metal parts of the hedge trimmer "live" and could give the operator an electric shock.*
- f) **Keep all power cords and cables away from cutting area.** *Power cords or cables may be hidden in hedges or bushes and can be accidentally cut by the blade.*
- g) **Do not use the hedge trimmer in bad weather conditions, especially when there is a risk of lightning.** *This decreases the risk of being struck by lightning.*
- h) **Check the hedges and bushes for foreign objects, e.g. wire fences and hidden wiring.**
  - i) **Hold the hedge trimmer properly, e.g. with both hands if two handles are provided.**
  - j) **The hedge trimmer is intended to be used by the operator at ground level and not on ladders or any other unstable support.**
  - k) **Before operating the hedge trimmer, the user should make sure the locking device(s) of any moving elements (e.g. the extended shaft and pivoting element), if any, are in the locked position.**
  - l) **Have any adjustable stopping mechanism maintained at regular intervals.**

## SAFETY WARNINGS FOR BATTERY PACK

- a) **Do not dismantle, open or shred cells or battery pack.**
- b) **Do not short-circuit a battery pack. Do not store battery packs haphazardly in a box or**

drawer where they may short-circuit each other or be short-circuited by conductive materials. When battery pack is not in use, keep it away from other metal objects, like paper clips, coins, keys, nails, screws or other small metal objects, that can make a connection from one terminal to another. Shorting the battery terminals together may cause burns or a fire.

- c) Do not expose battery pack to heat or fire. Avoid storage in direct sunlight.
- d) Do not subject battery pack to mechanical shock.
- e) In the event of battery leaking, do not allow the liquid to come into contact with the skin or eyes. If contact has been made, wash the affected area with copious amounts of water and seek medical advice.
- f) Keep battery pack clean and dry.
- g) Wipe the battery pack terminals with a clean dry cloth if they become dirty.
- h) Battery pack needs to be charged before use. Always refer to this instruction and use the correct charging procedure.
- i) Do not maintain battery pack on charge when not in use.
- j) After extended periods of storage, it may be necessary to charge and discharge the battery pack several times to obtain maximum performance.
- k) Recharge only with the charger specified by Kress. Do not use any charger other than that specifically provided for use with the equipment.
- l) Do not use any battery pack which is not designed for use with the equipment.
- m) Keep battery pack out of the reach of children.
- n) Retain the original product literature for future reference.
- o) Remove the battery from the equipment when not in use.
- p) Dispose of properly.
- q) Do not mix cells of different manufacture, capacity, size or type within a device.
- r) Keep the battery away from microwaves and high pressure.
- s) **Warning! Do not use non-rechargeable batteries.**

## USER MANUAL REQUIREMENTS FOR WIRELESS PRODUCT





- a) Operation of this device is subject to the following two conditions:
  - (1) This device may not cause harmful interference, and
  - (2) this device must accept any interference received, including interference that may cause undesired operation.
- b) Caution: Changes or modifications to this unit not expressly approved by the party responsible for compliance could void the user's authority to

operate the equipment.

- c) NOTE: This equipment generates, uses and can radiate radio frequency energy and, if not installed and used in accordance with the instructions, may cause harmful interference to radio communications. However, there is no guarantee that interference will not occur in a particular installation. If this equipment does cause harmful interference to radio or television reception, which can be determined by turning the equipment off and on, the user is encouraged to try to correct the interference by one or more of the following measures:
  - Reorient or relocate the receiving antenna.
  - Increase the separation between the equipment and receiver.
  - Connect the equipment into an outlet on a circuit different from that to which the receiver is connected.
  - Consult the dealer or an experienced radio/TV technician for help.


## SYMBOLS

	To reduce the risk of injury, user must read instruction manual
	Warning
	Wear eye protection
	Wear ear protection
	Wear dust mask
	Keep hands away from blade
	Wear protective gloves
	Do not burn

	<p>Batteries may enter water cycle if disposed improperly, which can be hazardous for ecosystem. Do not dispose of waste batteries as unsorted municipal waste.</p>
	<p>Li-Ion battery This product has been marked with a symbol relating to 'separate collection' for all battery packs and battery pack. It will then be recycled or dismantled in order to reduce the impact on the environment. Battery packs can be hazardous for the environment and for human health since they contain hazardous substances.</p>
	<p>Remove battery from the socket before carrying out any adjustment, servicing or maintenance.</p>
	<p>RCM marking</p>

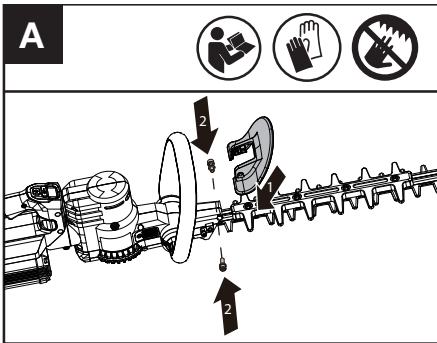
**ABN:** Australian Business Number. By this number, business information such as entity type, status, business location etc. can be found at website <http://abr.business.gov.au>.  
 ABN of Positec Australia Pty Limited is 14 101 682 357

## ASSEMBLY & OPERATION

 **NOTE:** Before using the tool, read the instruction book carefully.

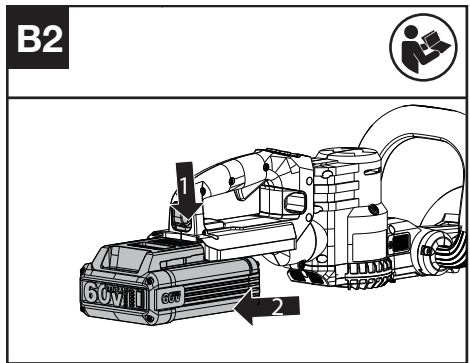
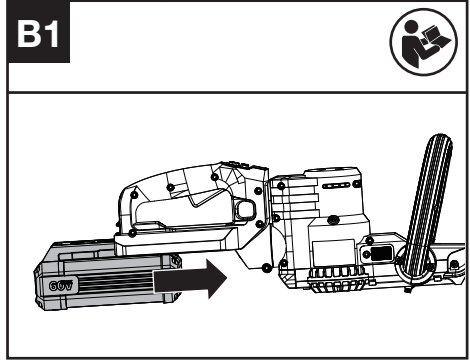
 **BEFORE OPERATION:**

**Assembling the safety guard (See Fig. A)**



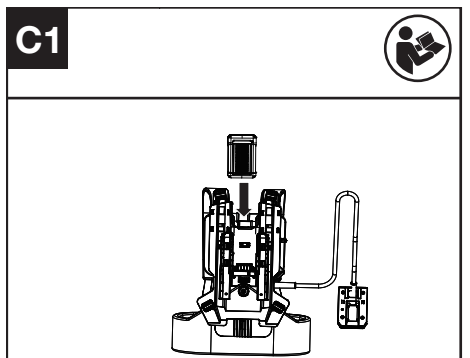
Secure the safety guard onto the hedge trimmer with the screw.

## Installing & removing the battery pack (See Fig. B1,B2)



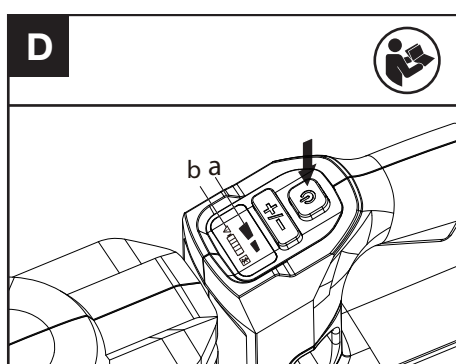
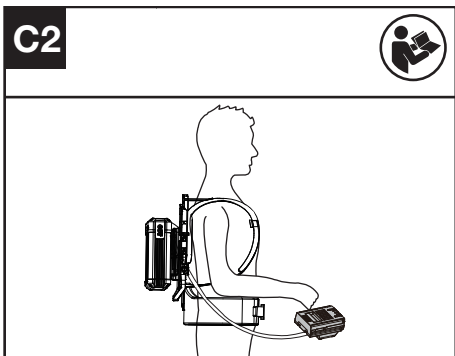
1. Slide the battery pack into the battery compartment until you hear a click.
2. Press the battery release button to release battery pack from your tool.

## Connecting the hedge trimmer to the backpack harness (See Fig. C1,C2,C3)



Install the battery pack into the backpack harness, put on the backpack harness. Then connect the harness with your machine. More details can be found in backpack harness's manual.

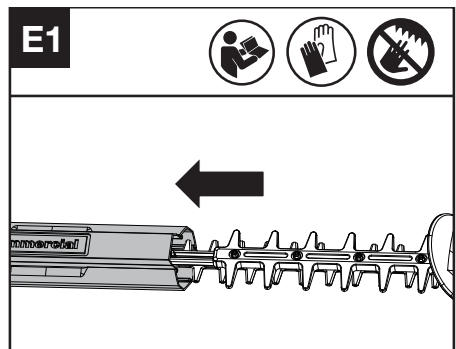




## OPERATION:

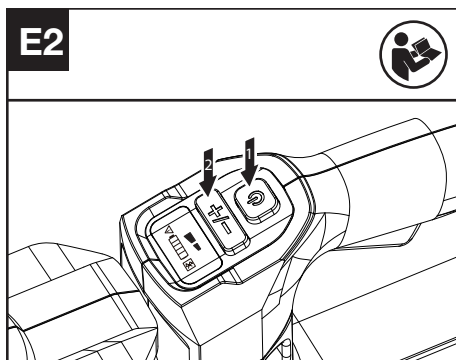
### Starting and Stopping

Before usage, remove the Blade Sheath first. (See Fig. E1)

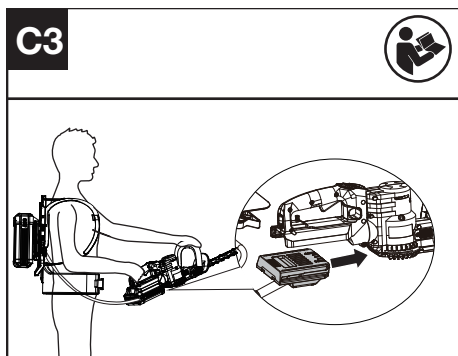


### Choosing speed

1. Press the On/Off switch.
2. Press the Speed Control Button to choose the speed you need. (See Fig. E2)



Press the Front Switch Lever and Rear Switch Lever to start. (See Fig. E3)



### Testing the trimmer and battery (See Fig. D)

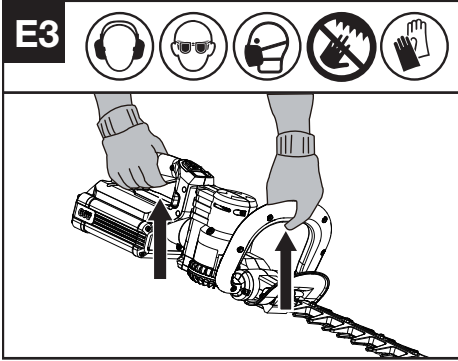
#### Checking the controls

##### Front Switch Lever and Rear Switch Lever

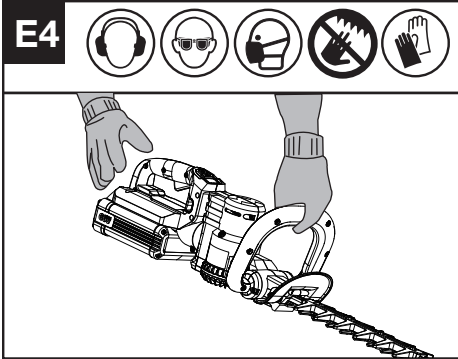
1. Remove the battery.
2. Press and release the Front Switch Lever and Rear Switch Lever. If the Rear Switch Lever or the Front Switch Lever is get stuck and cannot spring back to its original position. Stop using the trimmer and contact the service agent.

#### Checking the display

1. Insert the battery.
2. Hold and press the On / Off Switch. The product is switched on when the LED (a) is lit. The product is switched off when the LED (a) is off.
3. If the warning indicator (b) lights up or is flashing, refer to **Troubleshooting** for solutions.
4. Press the Front Switch Lever, then press the Rear Switch Lever to start the machine.
5. Release the Rear Switch Lever. The Trimmer stops. If the Trimmer cannot stop, remove the battery and contact the service agent.



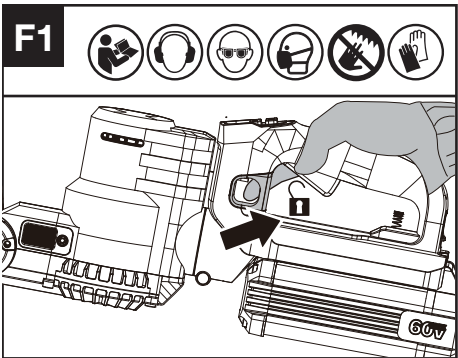
Release the Rear Switch Lever and Front Switch Lever to stop. (See Fig. E4)



When the machine is not in use, turn the hedge trimmer off and remove the battery pack or disconnect it from the backpack harness.

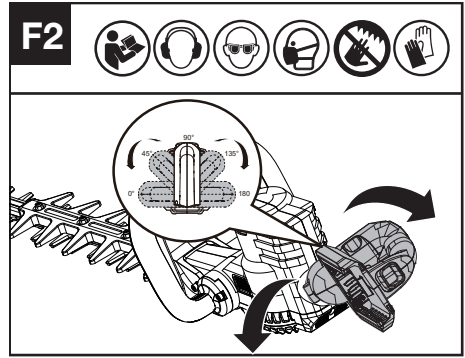
### Rotating rear handle (See Fig. F1, F2)

**NOTE:** Unlock the Locking Switch before rotating. After rotating the handle to the desired position, adjust it a little until a click can be heard.



**WARNING:** Always make sure that the handle is locked in the desired position before operation. Always make sure the Locking Switch is locked before starting the hedge trimmer.

Do not rotate the handle when the trimmer is being operated.



### How to Use your Hedge trimmer

Before cutting an area, inspect it first and remove any foreign objects that could become thrown or entangled in the blades. Always hold the trimmer with both hands and with the blade away from you before turning it on.

When trimming new growth, use a wide sweeping action so that the stems are fed directly into the blade.

Allow the cutting blades to reach full speed before cutting. When operating, keep the cutting blades away from people and objects such as walls, large stones, trees, vehicles, etc.

If the blade stalls, immediately stop the trimmer. Release the two Switch Levers before attempting to clear jammed debris from the cutting blades. Wear gloves when trimming thorny or prickly growth.

Do not attempt to cut stems that are too thick for the cutting blade.

### Top cutting (See Fig. G)

Use a wide sweeping motion. A slight downward tilt of the cutting blades in the direction of motion gives the best cutting results.



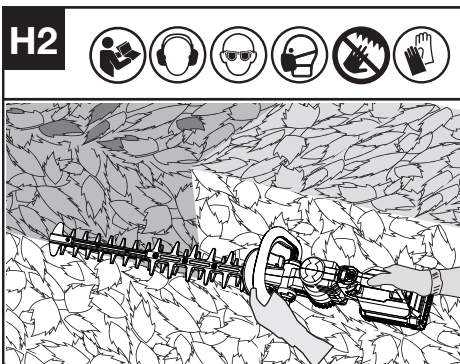
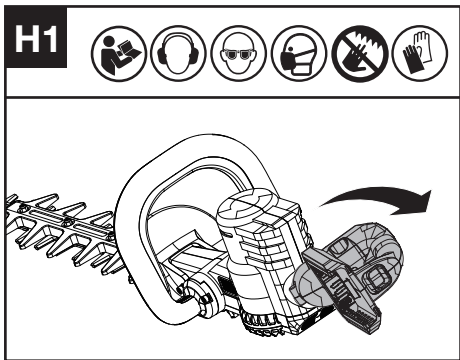
**WARNING:** If any parts are missing, damaged or broken, do not operate your

hedge trimmer until all damaged parts have been replaced or repaired. Failure to do so could result in serious personal injury. **DO NOT USE WITHOUT FRONT HANDLE AND SAFETY GUARD.**

### Side cutting (See Fig. H1, H2)

When trimming the sides of the hedge, begin at the bottom and cut upwards, tapering the hedge inward at the top. This shape will expose more of the hedge, resulting in a more uniform growth.

**WARNING:** Stop operating the trimmer before rotating the handle.



## TRANSPORTATION

### Transporting the trimmer

1. Switch off the trimmer and remove the battery.
2. When transporting your trimmer by hand, hold the middle of front handle to make sure that your machine is parallel to the ground.
3. When transporting your trimmer in a vehicle, secure and position it to prevent movement or damage.

### Transporting the battery

1. Ensure the battery is in a safe condition.

2. Use non-conductive packaging when transporting the battery.
3. The contained Li-Ion batteries are subject to the dangerous goods legislation requirements. Transport batteries only when the battery housing is undamaged. Pack up the batteries in such a manner that cannot move around in the packaging.

## MAINTENANCE

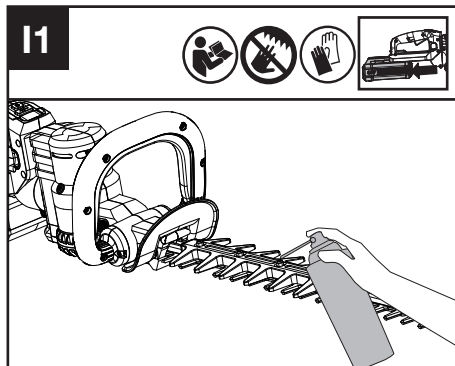
**WARNING!** Always remove battery before conducting any maintenance on the trimmer.

**Remove the battery from hedge trimmer before carrying out any adjustment, servicing or maintenance.**

There are no user serviceable parts in your power tool. Never use water or chemical cleaners to clean your power tool. Wipe clean with a dry cloth. Always store your power tool in a dry place. Keep the motor ventilation slots clean. Keep all working controls free of dust.

### Lubricating the Cutting Blade (See Fig. I1)

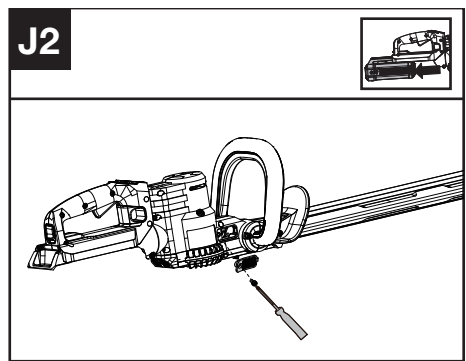
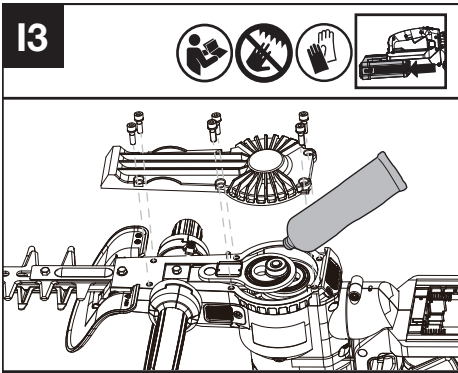
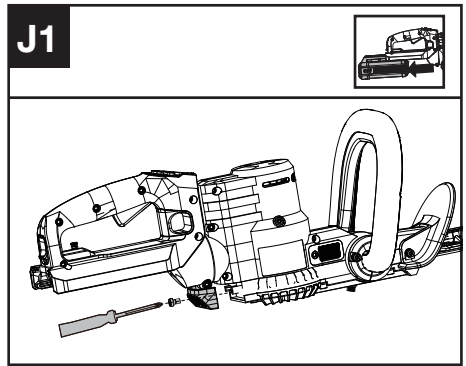
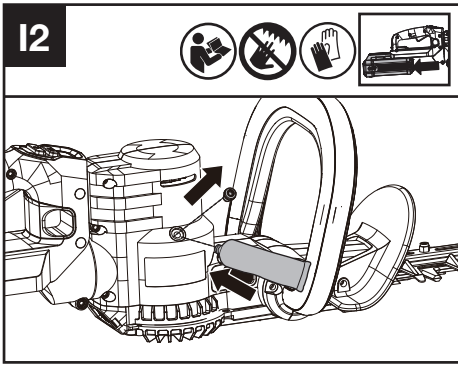
**NOTE:** It is important to use only the recommended standard lubricating oil (e.g. WD-40) to avoid damage to the blade.



### Lubricating the Gear Box (See Fig. I2, I3)

Remove the screw plug from the gear housing. Lubricating the gear case through the oil-hole after every 50 hours operation. Remove the screws from the gear box cover, and remove the cover. Lubricating after every 300 hours operation.

**NOTE:** For best operation and longer lifetime, lubricate the hedge trimmer gear case with the grease (SHELL Gadus S2 V220 1).



## Sharpening

**⚠ WARNING:** Do not operate your machine with dull or damaged cutting blades, which will cause overload and unsatisfactory performance. When cutting performance begins to deteriorate, please have the blade resharpened by a professional. Always wear protective gloves when handling the trimmer blade and only sharpen the cutting edge.

Only sharpen the cutting edge. Do not grind blunt projecting parts of the cutting blade or its guard. Use a whetstone to remove burr from cutting edge. After sharpening, clean away the dust from the blade in a safe manner.

## Cleaning the air filter (See Fig. J1,J2)

1. Clean the area around the air filter. Use a damp cloth or a soft brush.
2. Unscrew and remove the air filter.
3. Wash the air filter with running water to remove the dirt.
4. Allow the air filter to dry in the air. And then reinstall it in the housing by tightening the screw

## CLEANING

1. Switch off the trimmer and remove the battery.
1. Do not use aggressive detergents or solvents. Clean the machine after use with a damp cloth dipped in mild detergent.
2. Keep battery connection free of dirt and debris, and clean with a soft and dry brush or cloth.
3. Do not spray water onto the motor and electrical components.
4. Do not use pressure washer to clean your machine.

## STORAGE

1. Remove the battery pack from the trimmer before storage.
2. Store the trimmer and the battery in a dry and secure place that is inaccessible to children and other unauthorized people.
3. Store the battery only within a temperature range between 5°C (41°F) and 25°C (77°F). As an example, do not leave the battery in the car in summer time.
4. Once got wet in the rain during operation, the machine and the battery should be dried before storing or charging. Remove the battery and reinstall it if the machine fails to turn on.

# FOR BATTERY TOOLS

The recommended ambient temperature range for discharging is -20°C~45°C (-4°F~113°F) .

The recommended ambient temperature range for the charging system during charging is -5°C~45°C (23°F~113°F).

## TROUBLESHOOTING

The following table gives problems and actions that you can perform if your machine does not operate correctly.



**WARNING: Switch the machine off and remove the battery prior to any troubleshooting.**

### TRIMMER


Problems	Possible Causes	Corrective Action
Battery indicator LED flashing	Low battery voltage.	Charge the battery.
Red error LED flashing	Overload.	The cutting attachment is jammed, deactivate the product and then lower machine for remove. Remove the battery. Clean the cutting attachment from unwanted materials.
	Temperature issue.	Let the product cool down.
	Other problems	Contact Service Agent
The product does not start	Deris in the battery connectors.	Clean the battery connectors with compressed air or a soft brush.
	Other problems	Contact Service Agent.
Trimmer runs intermittently	The battery is not fully inserted to the machine.	Insert the battery fully.
	Potential electrical issue.	Contact Service Agent.
Excessive vibrations/ noise.	Cutting attachment issue.	Replace cutting attachment.
	Machine defective.	Contact Service Agent.

### BATTERY

Problems	Possible Causes	Corrective Action
Error LED lit	The battery is discharged	Charge the battery. If battery failed to charge, contact your Service Agent.
	Temperature issue.	Use the battery in surroundings where temperatures are between -5°C and 45°C (23°F to 113°F) for charge; -20°C to 45°C (-4°F to 113°F) for discharge.
	Others	Contact your Service Agent.

# TECHNICAL DATA

Type Designation: **KC200 KC200.X (200- designation of machinery, representative of cordless hedge trimmer)**

	<b>KC200 KC200.X**</b>
Voltage	60 V  MAX ***
Cutting speed	2800/3200 SPM
Blade length	63 cm (25")
Tooth spacing	38 mm (1.5")
Degree of protection	IPX4
Machine Weight (Bare tool)	4.0 kg (8.8 lbs)

\*\* X=1-999,A-Z,M1-M9 they are only used for different customers, there are no safety relevant changes between these models.

\*\*\* Voltage measured without workload. Initial battery voltage reaches maximum of 60 volts. Nominal voltage is 54 volts.

## SUGGESTED BATTERIES AND CHARGERS

Battery	Capacity	Charger	Amperage
KAC804	4 Ah	KAC840	30 A
KAC810 (With Backpack Harness)	11 Ah		
KA3000	2.0 Ah		

We recommend that you purchase your accessories from the same Dealer that sold you the tool. Refer to the accessory packaging for further details. Your Dealer can assist you and offer advice.

## TECHNICAL DATA FOR BATTERY PACK (OPTIONAL)

Frequency bands for Bluetooth	2400-2483.5 MHz
Maximum Transmitted Power for Bluetooth	8 dBm

**Positec Australia Pty Limited**  
**10 Corporate Blvd Bayswater , VIC 3153, Australia**





Copyright © 2023, Positec. All Rights Reserved.  
AR01719500