



**LEVANTE** *DESIGN CENTER 2019*

**TABLES**

---

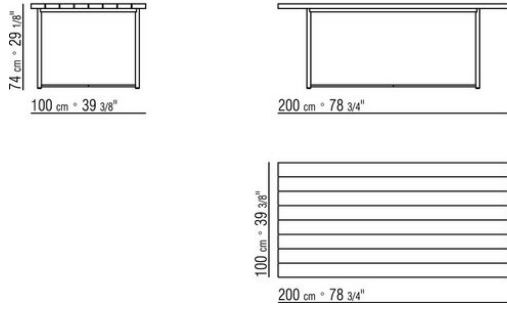
## LEVANTE | *DESIGN CENTER* | 2019

**Structure** (can be disassembled) in stainless steel 316 with electropolished or epoxy-powder-coated finish in white 100, wine red 405, khaki green 705, burnished, matt titanium 710 or with embossed lacquered finish in white 300, sand 310,

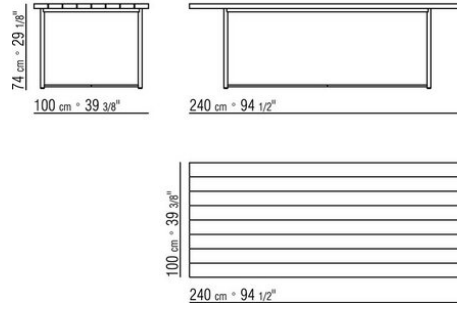
brick 320, sage green 330, terracotta 325, forest green 335, charcoal 350.

**Top** in solid iroko wood with natural finish, or stained grey, lacquered white, stained brown and stainless steel 316 support bars

COD. 0260L6



COD. 0260L7



COD. 0260L8

