



PICO *DESIGN CENTER 2020*
COFFEE AND SIDE TABLES

PICO | DESIGN CENTER | 2020

SMALL TABLE

Structure in burnished or glossy anthracite aluminum

Finish plus version structure in aluminum with satin, chrome or black chrome finish

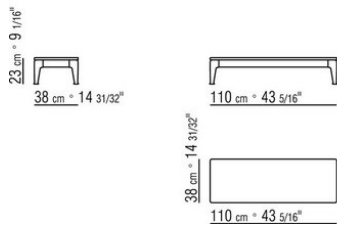
Top in the following types of marble
polished calacatta gold, matt calacatta gold, polished white carrara, polished nero marquina, polished emperador, matt emperador, polished emperador light, polished marron damasco, matt marron damasco, polished grey stardust, matt

grey stardust. Or in wood veneer: canaletto walnut natural or stained extra; or ashwood natural, stained walnut, teak, wenge, ebony or brown

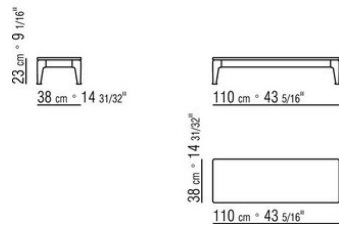
Legs in cast aluminum with burnished or glossy anthracite finish. Feet rest on tips made of thermoplastic material

Finish plus version legs in cast aluminum with satin, chrome or black chrome finish. Feet rest on tips made of thermoplastic material

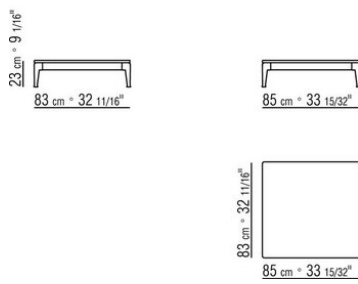
COD. 028361



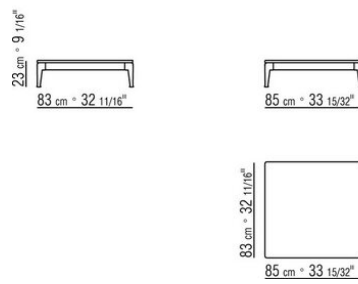
COD. 028371



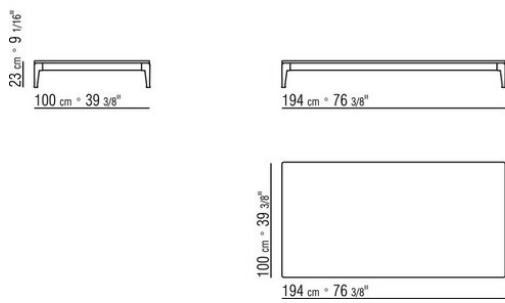
COD. 028362



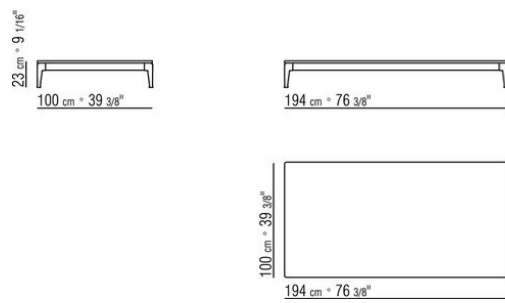
COD. 028372



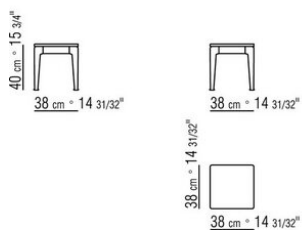
COD. 028363



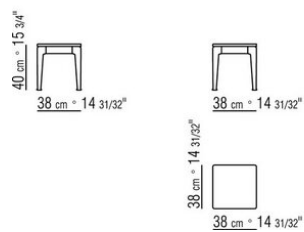
COD. 028373



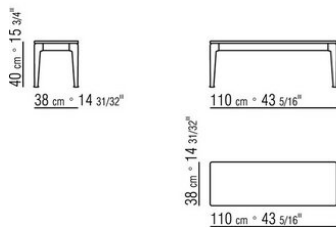
COD. 028364



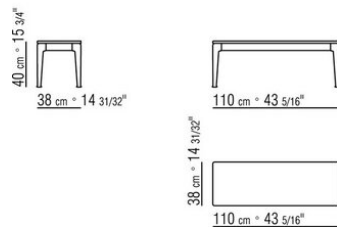
COD. 028374



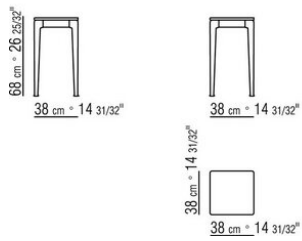
COD. 028365



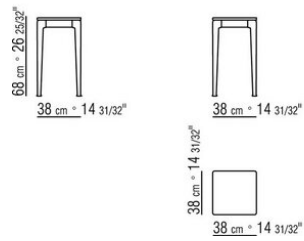
COD. 028375



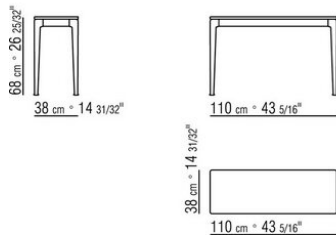
COD. 028368



COD. 028378



COD. 028369



COD. 028379

