

# Kress

# Commercial



## **SAFETY AND OPERATING MANUAL**

**Straight Edger Working Head**

**KAC141**

# TABLE OF CONTENTS

Introduction.....	2
Component List.....	3
Product Safety.....	4
Assembly & Operation.....	7
Transportation.....	8
Maintenance.....	8
Cleaning.....	9
Storage.....	9
Troubleshooting.....	10
Technical Data.....	10

EN

## INTRODUCTION

Dear Customer,

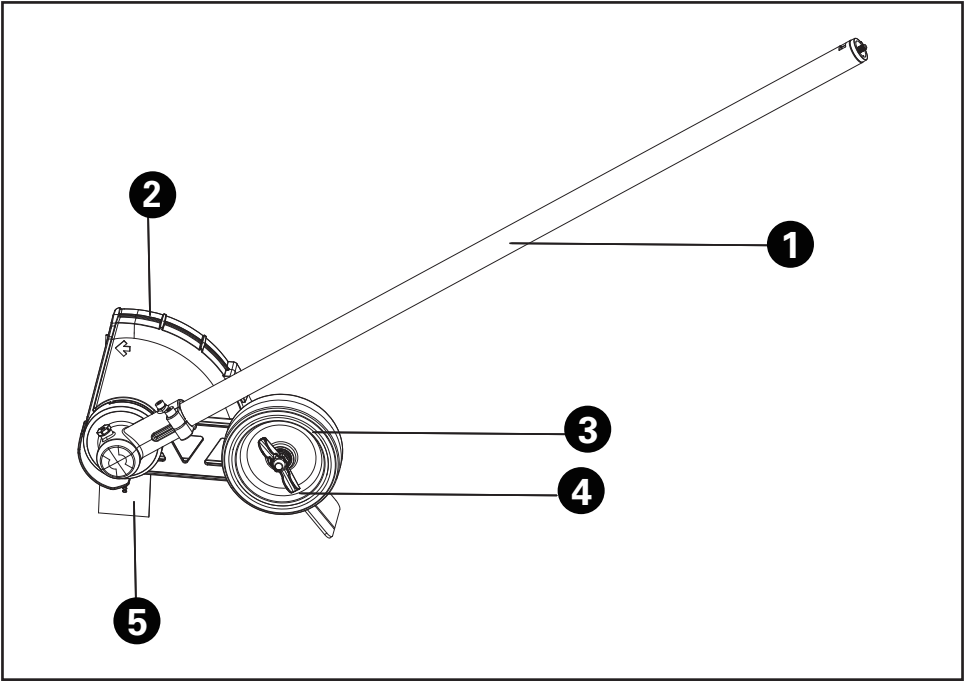
Thank you for buying this Kress Commercial product. We are dedicated to developing high quality products to meet your commercial landscaping requirements.

The Kress brand is synonymous with premium quality service. Over the years of your product's life, if you have any questions or concerns about your product, please contact your dealer or our Customer Service Team for assistance.

We are confident you will enjoy working with your Kress product for years to come.

## INTENDED USE

In conjunction with KAC104 - Power Head, this machine is intended for edging along sidewalks, driveways, curbs and patios.




## COMPONENT LIST

- |    |                                   |
|----|-----------------------------------|
| 1. | SHAFT                             |
| 2. | DEBRIS GUARD                      |
| 3. | SUPPORT WHEEL                     |
| 4. | SUPPORT WHEEL ADJUSTMENT WING NUT |
| 5. | BLADE                             |

# PRODUCT SAFETY

## GENERAL OUTDOOR POWER EQUIPMENT

### SAFETY WARNINGS

 **WARNING:** Read all safety warnings, instructions, illustrations and specifications provided with this outdoor power equipment. Failure to follow all instructions listed below may result in electric shock, fire and/or serious injury.

Save all warnings and instructions for future reference.

The term "outdoor power equipment" in the warnings refers to your mains-operated (corded) outdoor power equipment or battery-operated (cordless) outdoor power equipment.

#### 1. Work area safety

- a) **Keep work area clean and well lit.** *Cluttered or dark areas invite accidents.*
- b) **Do not operate outdoor power equipments in explosive atmospheres, such as in the presence of flammable liquids, gases or dust.** *Outdoor power equipments create sparks which may ignite the dust or fumes.*
- c) **Keep children and bystanders away while operating a outdoor power equipment.** *Distractions can cause you to lose control.*

#### 2. Electrical safety

- a) **Outdoor power equipment plugs must match the outlet. Never modify the plug in any way. Do not use any adapter plugs with earthed (grounded) outdoor power equipments.** *Unmodified plugs and matching outlets will reduce risk of electric shock.*
- b) **Avoid body contact with earthed or grounded surfaces, such as pipes, radiators, ranges and refrigerators.** *There is an increased risk of electric shock if your body is earthed or grounded.*
- c) **Do not operate the machine in rain or wet conditions.** *This may increase the risk of electric shock. If the machine becomes wet in the rain during operation, the machine and the battery should be dried before storing or charging. Remove the battery and reinsert it if the machine fails to turn on. Keep battery connection free of dirt and debris, and clean with a soft and dry brush or cloth.*
- d) **Do not abuse the cord. Never use the cord for carrying, pulling or unplugging the outdoor power equipment. Keep cord away from heat, oil, sharp edges or moving parts.** *Damaged or entangled cords increase the risk of electric shock.*
- e) **When operating a outdoor power equipment outdoors, use an extension cord suitable for outdoor use.** *Use of a cord suitable for outdoor use reduces the risk of electric shock.*
- f) **If operating a outdoor power equipment in a**

damp location is unavoidable, use a residual current device (RCD) protected supply. Use of an RCD reduces the risk of electric shock.

#### 3. Personal safety

- a) **Stay alert, watch what you are doing and use common sense when operating a outdoor power equipment. Do not use a outdoor power equipment while you are tired or under the influence of drugs, alcohol or medication.** *A moment of inattention while operating outdoor power equipments may result in serious personal injury.*
- b) **Use personal protective equipment. Always wear eye protection.** *Protective equipment such as dust mask, heavy or sturdy safety shoes, hard hat, or hearing protection used for appropriate conditions will reduce personal injuries.*
- c) **Prevent unintentional starting. Ensure the switch is in the off-position before connecting to power source and/or battery pack, picking up or carrying the tool.** *Carrying outdoor power equipments with your finger on the switch or energising outdoor power equipments that have the switch on invites accidents.*
- d) **Remove any adjusting key or wrench before turning the outdoor power equipment on.** *A wrench or a key left attached to a rotating part of the outdoor power equipment may result in personal injury.*
- e) **Do not overreach. Keep proper footing and balance at all times.** *This enables better control of the outdoor power equipment in unexpected situations.*
- f) **Dress properly. Do not wear loose clothing or jewellery. Keep your hair, clothing and gloves away from moving parts.** *Loose clothes, jewellery or long hair can be caught in moving parts.*
- g) **If devices are provided for the connection of dust extraction and collection facilities, ensure these are connected and properly used.** *Use of dust collection can reduce dust-related hazards.*
- h) **Do not let familiarity gained from frequent use of tools allow you to become complacent and ignore tool safety principles.** *A careless action can cause severe injury within a fraction of a second.*

#### 4. Outdoor Power Equipment use and care

- a) **Do not force the outdoor power equipment. Use the correct outdoor power equipment for your application.** *The correct outdoor power equipment will do the job better and safer at the rate for which it was designed.*
- b) **Do not use the outdoor power equipment if the switch does not turn it on and off.** *Any outdoor power equipment that cannot be controlled with the switch is dangerous and must be repaired.*
- c) **Disconnect the plug from the power source and/or the battery pack from the outdoor power equipment before making any**

adjustments, changing accessories, or storing outdoor power equipments. *Such preventive safety measures reduce the risk of starting the outdoor power equipment accidentally.*

- d) **Store idle outdoor power equipments out of the reach of children and do not allow persons unfamiliar with the outdoor power equipment or these instructions to operate the outdoor power equipment.** *Outdoor power equipments are dangerous in the hands of untrained users.*
- e) **Maintain outdoor power equipments. Check for misalignment or binding of moving parts, breakage of parts and any other condition that may affect the outdoor power equipment's operation. If damaged, have the outdoor power equipment repaired before use.** *Many accidents are caused by poorly maintained outdoor power equipments.*
- f) **Keep cutting tools sharp and clean.** *Properly maintained cutting tools with sharp cutting edges are less likely to bind and are easier to control.*
- g) **Use the outdoor power equipment, accessories and tool bits etc. in accordance with these instructions, taking into account the working conditions and the work to be performed.** *Use of the outdoor power equipment for operations different from those intended could result in a hazardous situation.*
- h) **Keep handles and grasping surfaces dry, clean and free from oil and grease.** *Slippery handles and grasping surfaces do not allow for safe handling and control of the tool in unexpected situations.*

## 5. Battery tool use and care

- a) **Recharge only with the charger specified by the manufacturer.** *A charger that is suitable for one type of battery pack may create a risk of fire when used with another battery pack.*
- b) **Use outdoor power equipments only with specifically designated battery packs.** *Use of any other battery packs may create a risk of injury and fire.*
- c) **When battery pack is not in use, keep it away from other metal objects, like paper clips, coins, keys, nails, screws or other small metal objects, that can make a connection from one terminal to another.** *Shorting the battery terminals together may cause burns or a fire.*
- d) **Under abusive conditions, liquid may be ejected from the battery; avoid contact. If contact accidentally occurs, flush with water. If liquid contacts eyes, additionally seek medical help.** *Liquid ejected from the battery may cause irritation or burns.*
- e) **Do not use a battery pack or tool that is damaged or modified.** *Damaged or modified batteries may exhibit unpredictable behaviour resulting in fire, explosion or risk of injury.*
- f) **Do not expose a battery pack or tool to fire or excessive temperature.** *Exposure to fire or temperature above 130 °C may cause explosion.*
- g) **Follow all charging instructions and do not charge the battery pack or tool outside**

**the temperature range specified in the instructions.** *Charging improperly or at temperatures outside the specified range may damage the battery and increase the risk of fire.*

## 6. Service

- a) **Have your outdoor power equipment serviced by a qualified repair person using only identical replacement parts.** *This will ensure that the safety of the outdoor power equipment is maintained.*
- b) **Never service damaged battery packs.** *Service of battery packs should only be performed by the manufacturer or authorized service providers.*

# SAFETY INSTRUCTIONS FOR EDGERS

## 1. Training

- a) Read the instructions carefully. Be familiar with the controls and the proper use of the equipment.
- b) Never allow children or people unfamiliar with these instructions to use the edger. Local regulations may restrict the age of the operator.
- c) Never edge while people, especially children, or pets are nearby.
- d) Keep in mind that the operator or user is responsible for accidents or hazards occurring to other people or their property.

## 2. Preparation

- a) While edging, always wear eye and ear protection, substantial foot wear, and long trousers.
- b) Thoroughly inspect the surface where the equipment is to be used and remove all stones, sticks, wires, bones and other foreign objects.
- c) Before using, always visually inspect to see that the blades, blade bolts and cutter assembly are not worn or damaged. Replace worn or damaged blades and bolts in sets to preserve balance.
- d) Use only manufacturer-recommended replacement parts and accessories.

## 3. Operation

- a) Edge only in daylight or in good artificial light.
- b) Always be sure of your footing on slopes.
- c) Walk, never run.
- d) Use extreme caution when reversing or pulling the edger toward you.
- e) Make sure the blade has stopped before crossing surfaces other than grass and when transporting the edger to and from the area to be edged.
- f) Never operate the edger with defective, missing or incorrectly fitted guards.
- g) Switch on the motor carefully according to instructions and with feet well away from the blade(s).
- h) Do not tilt when switching on the motor, unless the edger has to be tilted for starting.

In this case, do not tilt it more than absolutely necessary and lift only the part which is away from the operator.

- i) Do not switch on the motor when a bystander is standing in front of the blade(s).
- j) Do not put hands or feet near or under rotating parts.
- k) Always switch off the electric motor and remove battery pack from the machine:
  - 1) before clearing blockages;
  - 2) before checking, cleaning or working on the blade(s);
  - 3) after striking a foreign object: inspect the blade(s) for damage and make repairs before restarting and operating the edger;
  - 4) if edger starts to vibrate abnormally (check immediately).
- l) Always remove battery pack from the machine whenever you leave the edger.
- m) Always ensure that the ventilation openings are kept clear of debris.

#### 4. Maintenance and storage

- a) Keep all nuts, bolts and screws tight to be sure the equipment is in safe working conditions.
- b) Replace worn or damaged parts.
- c) Do not attempt to repair the machine unless you are competent to do so.
- d) Use only manufacturer-recommended replacement parts and accessories.
- e) When not in use, store the edger out of the reach of children.
- f) Inspect and maintain the edger regularly. Have the edger repaired only by an authorized repairer.







## SAFETY WARNINGS FOR BATTERY PACK










- a) Do not dismantle, open or shred cells or battery pack.
- b) Do not short-circuit a battery pack. Do not store battery packs haphazardly in a box or drawer where they may short-circuit each other or be short-circuited by conductive materials. When battery pack is not in use, keep it away from other metal objects, like paper clips, coins, keys, nails, screws or other small metal objects, that can make a connection from one terminal to another. Shorting the battery terminals together may cause burns or a fire.
- c) Do not expose battery pack to heat or fire. Avoid storage in direct sunlight.
- d) Do not subject battery pack to mechanical shock.
- e) In the event of battery leaking, do not allow the liquid to come into contact with the skin or eyes. If contact has been made, wash the affected area with copious amounts of water and seek medical advice.
- f) Keep battery pack clean and dry.
- g) Wipe the battery pack terminals with a clean dry cloth if they become dirty.

- h) Battery pack needs to be charged before use. Always refer to this instruction and use the correct charging procedure.
- i) Do not maintain battery pack on charge when not in use.
- j) After extended periods of storage, it may be necessary to charge and discharge the battery pack several times to obtain maximum performance.
- k) Recharge only with the charger specified by Kress. Do not use any charger other than that specifically provided for use with the equipment.
- l) Do not use any battery pack which is not designed for use with the equipment.
- m) Keep battery pack out of the reach of children.
- n) Retain the original product literature for future reference.
- o) Remove the battery from the equipment when not in use.
- p) Dispose of properly.
- q) Do not use battery packs of different manufacture, size or type.
- r) Keep the battery away from microwaves and high pressure.
- s) Warning! Do not use non-rechargeable batteries.

### SAVE THESE INSTRUCTIONS

## SYMBOLS

	To reduce the risk of injury, user must read instruction manual
	Wear ear and eye protection
	Direction of edger blade rotation
	Keep bystanders at a safe distance
	Thrown objects
	Rotating cutting blade

 Li-Ion 	<p>Li-Ion battery This product has been marked with a symbol relating to 'separate collection' for all battery packs and battery pack. It will then be recycled or dismantled in order to reduce the impact on the environment. Battery packs can be hazardous for the environment and for human health since they contain hazardous substances.</p>
 Li-Ion  Li-Ion	<p>Batteries may enter water cycle if disposed improperly, which can be hazardous for ecosystem. Do not dispose of waste batteries as unsorted municipal waste.</p>
	<p>Do not burn</p>
	<p>Batteries may enter water cycle if disposed improperly, which can be hazardous for ecosystem. Do not dispose of waste batteries as unsorted municipal waste.</p>
	<p>Wear protective gloves</p>
	<p>Remove battery from the socket before carrying out any adjustment, servicing or maintenance.</p>
	<p>RCM marking</p>

**ABN:** Australian Business Number. By this number, business information such as entity type, status, business location etc. can be found at website <http://abr.business.gov.au>.  
 ABN of Positec Australia Pty Limited is 14 101 682 357

## ASSEMBLY & OPERATION



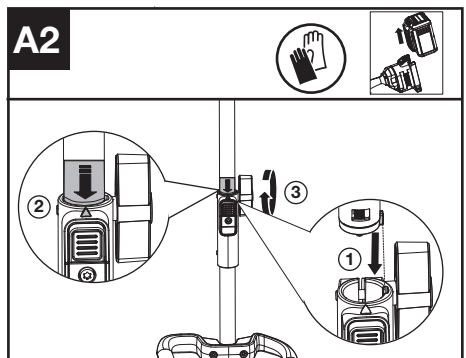
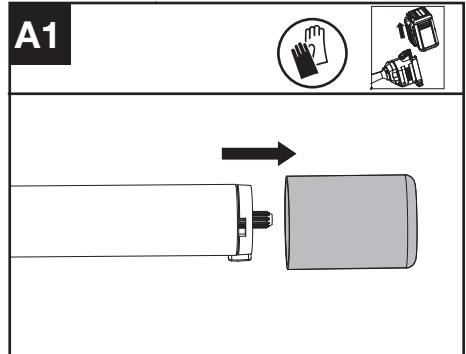
**NOTE:** Before using the tool, read the instruction book carefully.



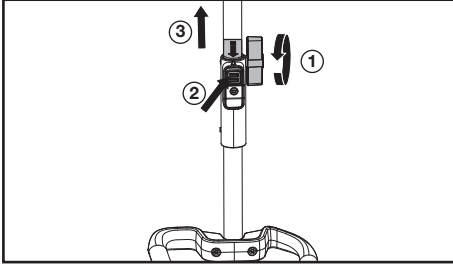
**BEFORE OPERATION:**

### Assembling and disassembling the Power head attachment. (See Fig. A1, A2, A3)

1. Remove the protective cap from the end of the attachment shaft.
2. To assemble, align the triangle icon on the button with the arrow label on the attachment shaft.
3. Push the shafts together until you hear a "click". The edge of the arrow label should be close to the shaft connection housing. (Note: If the straight edger head cannot be fully installed into the power head, rotate the straight edger head a little until it is possible to insert the shaft fully.)
4. Finish the assembly by tightening the knob clockwise.
5. To disassemble, loosen the knob, turn counter clockwise, then press the release button and pull the shafts apart. Replace the protective cap on the attachment shaft to ensure that dust and debris do not get into the shaft.

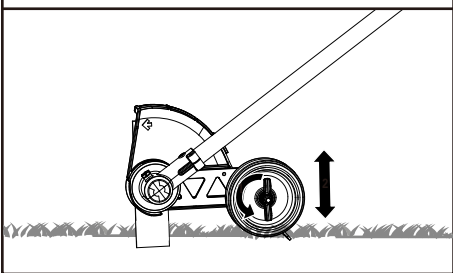
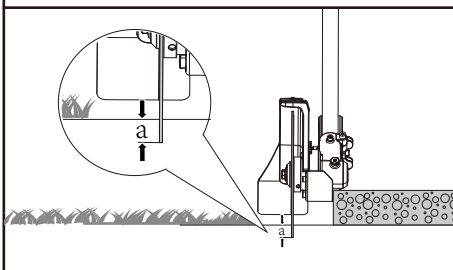


EN

**A3**

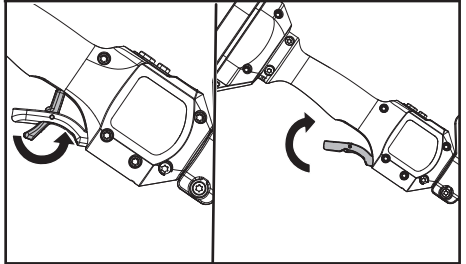
### Adjust the cutting height (See Fig. B1, B2)

1. Turn off the power tool and remove the battery.
2. Loosen the wing nut. Push the wheel upwards to increase the cut depth (a) or downward the wheel to reduce the cut depth (a).
3. It is recommended to adjust the depth wheel so that the edger blade just touching the ground or breaks the surface of the soil by no more than 0.2 in. (5 mm)
4. Tighten the wing nut. Check the depth of cut while standing in the normal working position and correct it if necessary.

**B1****B2**

### OPERATION:

#### Starting the edger (See Fig. C)

**C**

1. Push the Safety Lock Off Lever forward first, then squeeze and hold the throttle trigger to start the machine

**NOTE:** More details can be found in the power head manual.

## TRANSPORTATION

### Transporting the edger

1. Switch off the edger and remove the battery.
2. When transporting your edger by hand, hold the middle of shaft to make sure that your machine is parallel to the ground.
3. When transporting your edger in a vehicle, secure and position it to prevent movement or damage.

### For Battery tools

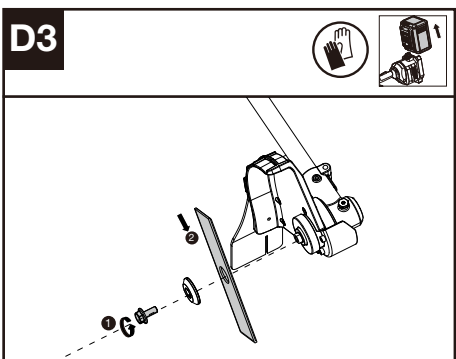
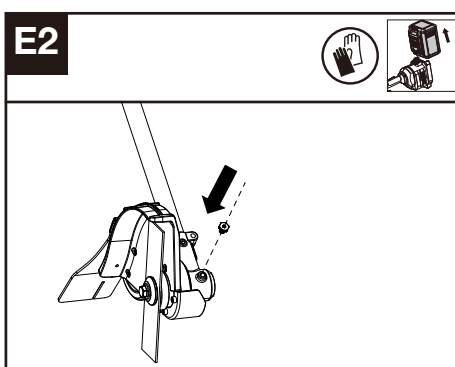
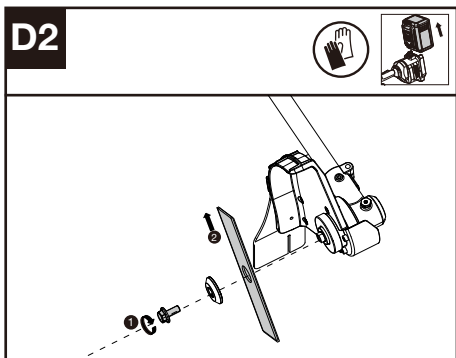
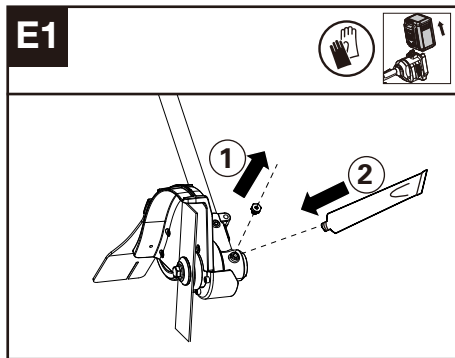
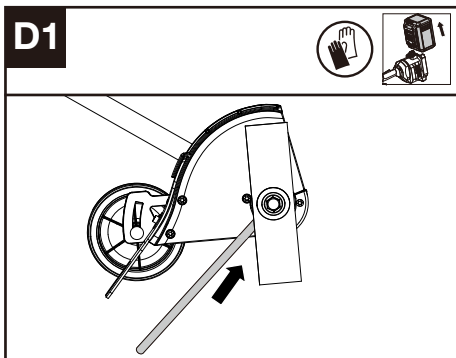
The recommended ambient temperature range for discharging is -4°F~113°F (-20°C~45°C).

The recommended ambient temperature range for the charging system during charging is 23°F~113°F (-5°C~45°C).

## MAINTENANCE

### Replacing the blade (See Fig. D1, D2, D3)





1. Remove the screw plug from the gear housing and inject about 5g of grease into gear case every time.
2. Tighten the screw.

**NOTE:** Lubricating the gear case through the oil-hole after every 50 hours operation. For best operation and longer lifetime, it is recommended to lubricate the Lawn Edger gear case with dedicated grease (SHELL Gadus S2 V220 1).

## CLEANING

1. Switch off the edger and remove the battery.
2. Do not use aggressive detergents or solvents. Clean the machine after use with a damp cloth dipped in mild detergent.
3. Keep battery connection free of dirt and debris, and clean with a soft and dry brush or cloth.
4. Do not spray water onto the motor and electrical components.
5. Do not use pressure washer to clean your machine.

1. Align hole in inner blade adapter with notch in gear housing, and insert locking tool to prevent from rotating.
2. Loosen the bolt.
3. Replace the blade and tighten the bolt to 15~20 Nm (11~15 ft-lb).

**Lubricating the Gear Box (See Fig. E1, E2)**

## STORAGE

1. Remove the battery pack from the edger before storage.
2. Store the edger and the battery in a dry and

secure place that is inaccessible to children and other unauthorized people. Remove the cutting attachment if no use for a long time.

4. If the machine becomes wet in the rain during operation, the machine and the battery should be dried before storing or charging. Remove the battery and reinsert it if the machine fails to turn on.

## TROUBLESHOOTING

The following table gives problems and actions that you can perform if your machine does not operate correctly.

 **WARNING: Switch the machine off and remove the battery prior to any troubleshooting.**

### EDGER

Problems	Possible Causes	Corrective Action
Battery indicator LED flashing	Low battery voltage.	Charge the battery.
Red error LED flashing	Overload.	The cutting attachment is jammed. Deactivate the product. Remove the battery. Clean the cutting attachment from unwanted materials.
	Temperature issue.	Let the product cool down.
	The Throttle Trigger and the start/stop button are pressed at the same time.	Release Throttle Trigger. Perform the starting sequence again.
	Other problems	Contact Service Agent
The product does not start	Debris in the battery connectors.	Clean the battery connectors with compressed air or a soft brush.
	The power of the battery pack has been run out.	Charge the battery pack.
	Other problems	Contact Service Agent.

Edger runs intermittently	The battery is not fully inserted to the machine.	Remove & reinsert battery fully.
	Potential electrical issue.	Contact Service Agent.
Excessive vibrations/ noise.	Blade balance issue.	Evaluate blade for damage, replace blade.
	Soil/debris build-up in blade guard.	Clean blade guard, remove debris.
	Cutting attachment issue. Machine defective.	Replace cutting attachment. Contact Service Agent.

## TECHNICAL DATA

KAC141	
Cutting Speed	4200/3200 rpm
Blade Size	20 cm
Degree of protection	IPX4
Machine Weight (Bare tool)	2.4kg

**Positec Australia Pty Limited**  
**10 Corporate Blvd Bayswater , VIC 3153, Australia**





Copyright © 2024, Positec. All Rights Reserved.  
AR01755900