



ACADEMY ANTONIO CITTERIO 2022

TABLES

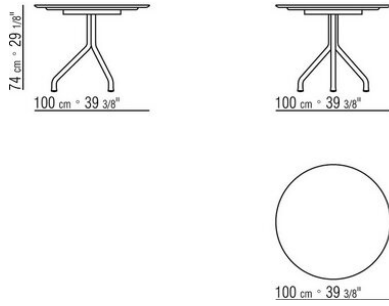
ACADEMY | ANTONIO CITTERIO | 2022

TABLE

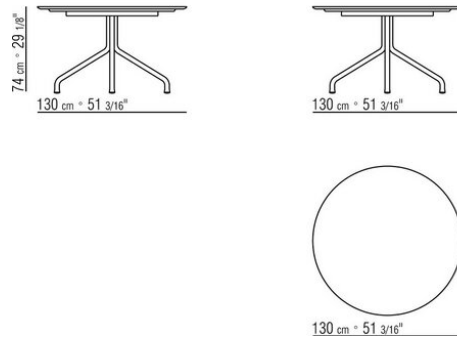
Structure in stainless steel in these finishes: satin, chrome, black chrome, burnished, glossy anthracite and white 100; or with matt lacquer finish: sand 610, brick 620, sage green 630, white 160, terracotta 625, forest green 635, black 900
Top in canaletto walnut veneer with natural finish or stained walnut extra; or in ash veneer with natural finish or stained walnut, teak, wenge, ebony or brown; or in these

types of marble: polished calacatta gold, matt calacatta gold, polished white carrara, polished nero marquina, polished emperador, matt emperador, polished emperador light, polished marron damasco, matt marron damasco, polished grey stardust, matt grey stardust
Art. 2A183, 2A185, 2A188 not available with marble top
Feet rest on tips made of thermoplastic material

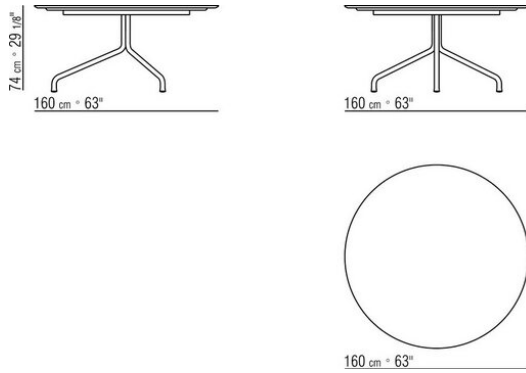
COD. 02A180



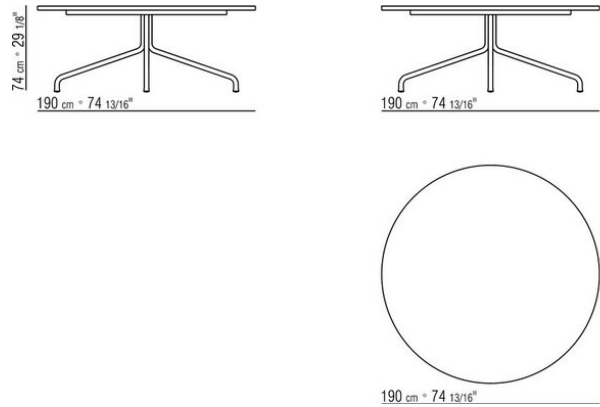
COD. 02A181



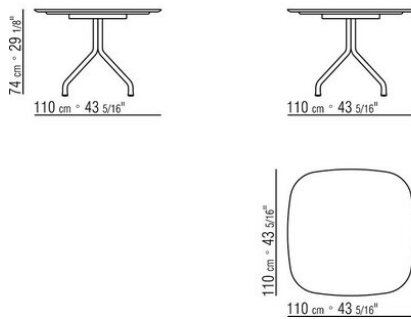
COD. 02A182



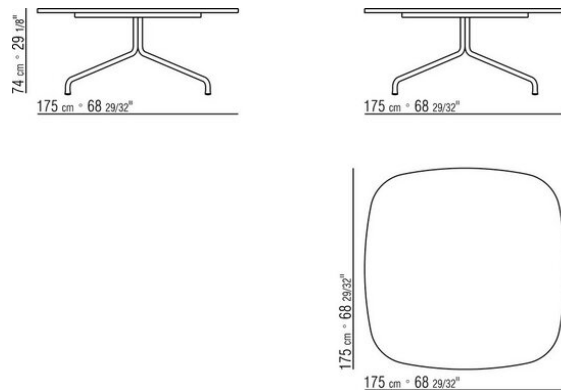
COD. 02A183



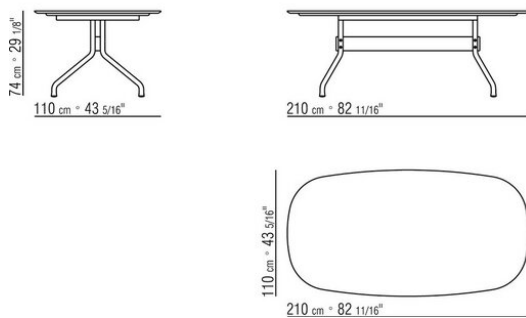
COD. 02A184



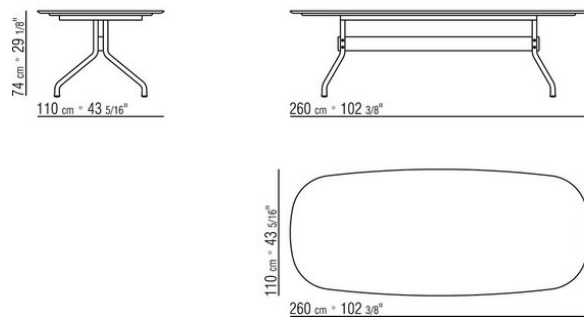
COD. 02A185



COD. 02A186



COD. 02A187



COD. 02A188

