

MISION™ NANO

Owner's Manual



En Original instructions
De Originalbetriebsanleitung
Fr Notice originale
I Istruzioni originali
Es Manual original
NI Oorspronkelijke gebruiksaanwijzing
Pl Instrukcja oryginalna
Dk Original brugsanvisning
Nor Original driftsinstruks
Sv Bruksanvisning i original

En	Owner's Manual	P04
De	Benutzerhandbuch	P19
Fr	Mode d'emploi	P34
I	Manuale d'uso	P49
Es	Manual del propietario	P64
NI	Gebruikershandleiding	P79
Pl	Instrukcja obsługi	P94
Dk	Ejerens instruktionsbog	P109
Nor	Brukermanuel	P124
Sv	Bruksanvisning	P139
KR101E		

Users can view the electronic instructions at <https://www.kress.com/en/>.

Product safety

General safety warnings



WARNING: Read all safety warnings and all instructions. Failure to follow the warnings and instructions may result in electric shock, fire and/or serious injury.

Carefully read the instructions for the safe operation of the machine.

Save all warnings and instructions for future reference.

- This appliance is not intended for use by persons (including children) with reduced physical, sensory or mental capabilities, or lack of experience and knowledge, unless they have been given supervision or instruction concerning use of the appliance by a person responsible for their safety.
- Children should be supervised to ensure that they do not play with the appliance.
- This appliance contains batteries that are only replaceable by skilled persons.
WARNING: For the purposes of recharging the battery, only use the detachable supply unit provided with this appliance.

4

EN

IMPORTANT READ CAREFULLY BEFORE USE KEEP FOR FUTURE REFERENCE

Safe operation practices Training

- a) Read the instructions carefully. Make sure you understand the instructions and be familiar with the controls and the proper use of the appliance.
- b) Never allow people unfamiliar with these instructions or children to use the appliance. Local regulations can restrict the age of the operator.
- c) The operator or user is responsible for accidents or hazards occurring to other people or their property.

Preparation

- a) Ensure the correct installation of boundary wire as instructed.
- b) Periodically inspect the area where the appliance is to be used and remove all stones, sticks, wires, bones, and other

foreign objects.

- c) Periodically visually inspect to see that the blades, blade bolts and cutter assembly are not worn or damaged. Replace worn or damaged blades and bolts in sets to preserve balance.
- d) On multi-spindle appliances, take care as rotating one blade can cause other blades to rotate.
- e) WARNING! The lawnmower shall not be operated without the guard in place.

Operation

1. General

- a) Never operate the appliance with defective guards, or without safety devices, for example deflectors, in place.
- b) Do not put hands or feet near or under rotating parts. Keep clear of the discharge opening at all times.
- c) Never pick up or carry an appliance while the motor is running.
- d) Operate the disabling device from the appliance
 - Before clearing a blockage;
 - Before checking, cleaning or working on the appliance;
 - After striking a foreign object to inspect the machine for damage;
 - If the machine starts to vibrate abnormally, and to check for damage before restarting.
- e) It is not permitted to modify the original design of robotic lawnmower. All modifications are made at your own risk.
- f) Start robotic lawnmower according to the instructions. When the power is on, make sure you keep your hands and feet away from the rotating blades. Never put your hands and feet under the mower.
- g) Never lift up robotic lawnmower or carry it when the power is on.
- h) Do not let persons who do not know how robotic lawnmower works and behaves use the mower.
- i) Do not put anything on top of robotic lawnmower or its charging station.
- j) Do not allow robotic lawnmower to be used with a defective blade disc or body. Neither should it be used with defective blades, screws, nuts or cables.
- k) Always switch off robotic lawnmower when you do not intend to use the mower. Robotic lawnmower can only start when the power is on and the correct PIN code has been entered.
- l) Keep your hands and feet away from the

rotating blades. Never place your hands or feet close to or under the body when robotic lawnmower is in operation.

- m) To avoid using the machine and its peripherals in bad weather conditions especially when there is a risk of lightning.
- n) Not to touch moving hazardous parts before these have come to a complete stop.
- o) For machines used in public areas, that warning signs shall be placed around the working area of the machine. They shall show the substance of the following text: Warning! Automatic lawnmower! Keep away from the machine! Supervise children!

2. Additionally when the appliance is operating automatically

- a) Do not leave the machine to operate unattended if you know that there are pets, children or people in the vicinity.

Maintenance and storage



WARNING! When the mower is turned upside down the power must always be off.

The power should be off during all work on the mower's under frame, such as cleaning or replacing the blades.

- a) Keep all nuts, bolts and screws tight to be sure the appliance is in safe working condition.
- b) Inspect the robotic lawnmower each week and replace worn or damaged parts for safety.
- c) Check especially that the blades and blade disc are not damaged. Replace all blades and screws at the same time if necessary so that the rotating parts are balanced.
- d) Ensure that only replacement cutting means of the right type are used.
- e) Ensure that batteries are charged using the correct charger recommended by the manufacturer. Incorrect use may result in electric shock, overheating or leakage of corrosive liquid from the battery.
- f) In the event of leakage of electrolyte flush with water/neutralizing agent, seek medical help if it comes into contact with the eyes etc.
- g) Servicing of the appliance should be according to manufacturers' instructions.

Recommendation

To connect the machine and/or its peripherals only to a supply circuit protected by a residual

current device (RCD) with a tripping current of not more than 30 mA.

Residual risks

To avoid injuries, wear protective gloves when replacing the blades.

Transport

The original packaging should be used when transporting robotic lawnmower over long distances.

To safely move form or within the working area:

- a) Press the STOP button to stop the mower. You select the four digit PIN code when you start the mower for the first time.
- b) Always switch off robotic lawnmower if you intend to carry the mower.
- c) Carry the mower by the handle at the rear under the mower. Carry the mower with the blade disc away from the body.

RF exposure requirements

To satisfy RF exposure requirements, a separation distance of 200mm or more should be maintained between this device and persons during device operation.

To ensure compliance, operators at closer than this distance is not recommended. The antenna used for this transmitter must not be co-located in conjunction with any other antenna or transmitter.

This is a class III appliances and it must only be supplied at safety extra low voltage corresponding to the marking on the appliance.

Safety Warnings for battery pack inside the tool

- a) **Do not dismantle, open or shred battery pack.**
- b) **Do not short-circuit a battery pack. Do not store battery packs haphazardly in a box or drawer where they may short-circuit each other or be short-circuited by conductive materials.** When battery pack is not in use, keep it away from other metal objects, like paper clips, coins, keys, nails, screws or other small metal objects, that can make a connection from one terminal to another. Shorting the battery terminals together may cause burns or a fire.
- c) **Do not expose battery pack to heat or fire. Avoid storage in direct sunlight.**
- d) **Do not subject battery pack to mechanical shock.**

- e) **In the event of battery leaking, do not allow the liquid to come into contact with the skin or eyes. If contact has been made, wash the affected area with copious amounts of water and seek medical advice.**
- f) **Keep battery pack clean and dry.**
- g) **Recharge only with the charger specified by Kress. Do not use any charger other than that specifically provided for use with the equipment.**
- h) **Do not use any battery pack which is not designed for use with the equipment.**
- i) **Keep battery pack out of the reach of children.**
- j) **Retain the original product literature for future reference.**
- k) **Dispose of properly.**
- l) **Do not mix cells of different manufacture, capacity, size or type within a device.**
- m) **Keep the battery away from microwaves and high pressure.**
- n) **Warning! Do not use non-rechargeable batteries.**

circuit different from that to which the receiver is connected.

- Consult the dealer or an experienced radio/TV technician for help.

User manual requirements for wireless product

6
EN

- a) Operation of this device is subject to the following two conditions:
 - (1) This device may not cause harmful interference, and
 - (2) this device must accept any interference received, including interference that may cause undesired operation.
- b) Caution: Changes or modifications to this unit not expressly approved by the party responsible for compliance could void the user's authority to operate the equipment.
- c) NOTE: This equipment generates, uses and can radiate radio frequency energy and, if not installed and used in accordance with the instructions, may cause harmful interference to radio communications. However, there is no guarantee that interference will not occur in a particular installation. If this equipment does cause harmful interference to radio or television reception, which can be determined by turning the equipment off and on, the user is encouraged to try to correct the interference by one or more of the following measures:
 - Reorient or relocate the receiving antenna.
 - Increase the separation between the equipment and receiver.
 - Connect the equipment into an outlet on a

Symbols



WARNING – robotic lawnmower can be dangerous if incorrectly used. Read through the Operator's manual carefully and understand the content before using your robotic lawnmower.



WARNING - Keep a safe distance from the machine when operating.



WARNING – Operate the disabling device before working on or lifting the machine.



WARNING – Do not ride on the machine.



Class III appliance



Waste electrical products must not be disposed of with household waste. Please recycle where facilities exist. Check with your local authorities or retailer for recycling advice.



Li-Ion battery. This product has been marked with a symbol relating to 'separate collection' for all battery packs and battery pack. It will then be recycled or dismantled in order to reduce the impact on the environment. Battery packs can be hazardous for the environment and for human health since they contain hazardous substances.



Do not burn.



Batteries may enter water cycle if disposed improperly, which can be hazardous for ecosystem. Do not dispose of waste batteries as unsorted municipal waste.



Do not wash the machine with a high pressure washer

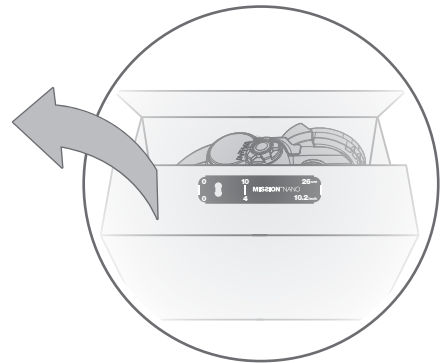
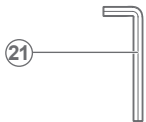
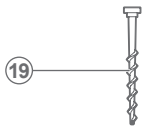
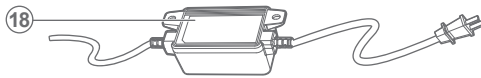
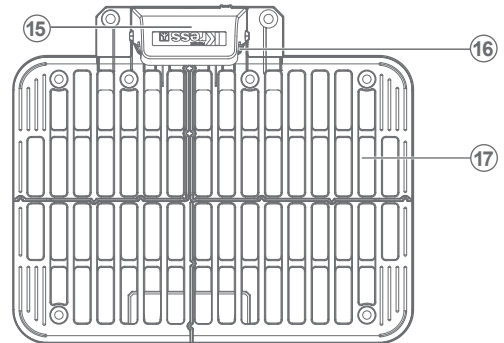
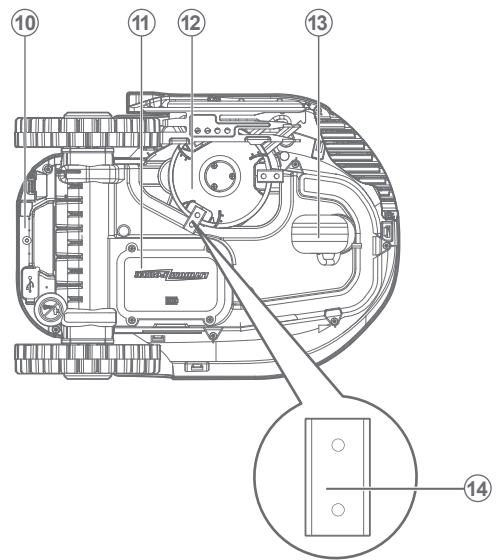
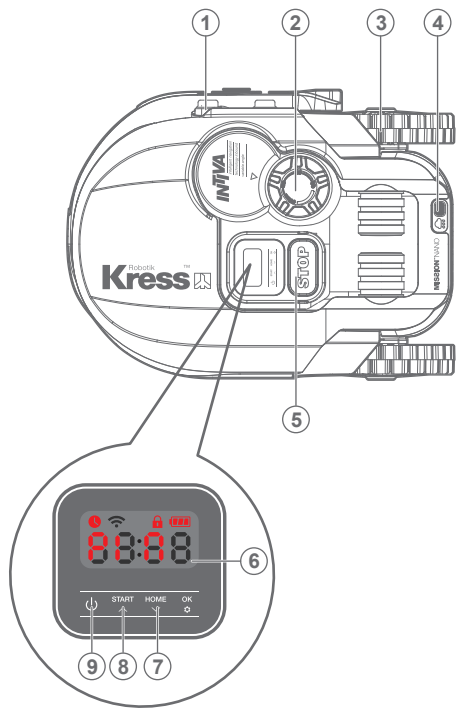


Read operator's manual



Detachable supply unit

Component list



- | | |
|-----------------------------------|----------------------------------|
| 1. Charging Strips | 12. Blade Turning Disc |
| 2. Cutting Height Adjustment Knob | 13. Front Wheel |
| 3. Rear Driving Wheel | 14. Cutting Blade |
| 4. Rain Sensor | 15. Protective Cover |
| 5. STOP Button | 16. Contact Pins |
| 6. Display | 17. Charging Base |
| 7. HOME Button | 18. Power Adapter |
| 8. START Key | 19. Charging Base Fixing Nails |
| 9. On/Off Switch | 20. Boundary Wire Distance Gauge |
| 10. Handle | 21. Hex Key |
| 11. Battery Pack | |


Technical data

Type **KR101E (100-199 - designation of machinery, representative of Robotic Lawnmower)**

Rated voltage	20 V \approx Max.*
No load speed	2800 /min
Cutting area	600 m ²
Cutting diameter	18 cm
Cutting height	30-60 mm
Cutting height positions	4
Battery type	Lithium-ion
Battery model	KA3022
Charging time approx.	105 min
Charger model	KA0200 / KA0201
Charger rating	Input: 100-240 V~50/60 Hz, 38 W, Output: 20 V, 1.5 A
Machinery weight	8.95 kg
Protection degree	III
App	Y
Maximum slope within the work surface	35%
Frequency bands for Bluetooth (MHz)	2400-2483.5 MHz
Maximum Transmitted Power for Bluetooth (dBm)	8 dBm
Frequency bands for WIFI (MHz)	2400-2483.5 MHz
Maximum Transmitted Power for WIFI (dBm)	20 dBm
Frequency band of inductive loop systems	77 Hz
Max. radio-frequency power of inductive loop systems	82 dB μ A/m

* Voltage measured at no load. Initial battery voltage reaches maximum of 20 volts. Nominal voltage is 18 volts.

Noise data

A weighted sound pressure	$L_{pA} = 45.5 \text{ dB (A)}, K_{pA} = 0.6 \text{ dB(A)}$
A weighted sound power	$L_{wA} = 65.5 \text{ dB (A)}, K_{wA} = 0.6 \text{ dB(A)}$
Wear ear protection when sound pressure is over	80 dB(A) 

A degree of noise from the machine is not avoidable. Route noisy work is to be licensed and limits for certain periods. Keep rest periods and they may need to restrict the working hours to a minimum. For their personal protection and protection of people working nearby, an appropriate hearing protection shall be worn.

Accessories

Screw	9
Charging base	1
Charging base fixing nails	8
Hex key	1
Boundary wire distance gauge	2
Blade	9
Battery pack (KA3022)	1
Charger (KA0200 / KA0201)	1

10

EN

We recommend that you purchase genuine accessories listed in the above list from the same store that sold you the tool. Refer to the accessory packaging for further details. Store personnel can assist you and offer advice.

Intended Use

The garden product is intended for domestic lawn mowing. It is designed to mow often, maintaining a healthier and better looking lawn than ever before. Depending on the size of your lawn, Mission™NANO may be programmed to operate at any time or frequency. It is not intended for digging, sweeping or snow cleaning.

Maintenance

Your Mission™NANO works hard and needs to be cleaned and checked from time to time. Some parts will require replacement as they become worn. Never use your Mission™NANO with defective main switch. Switch off the machine before carrying out any service or maintenance. Here's how to take care of your Mission™NANO.

1

Keep it Sharp

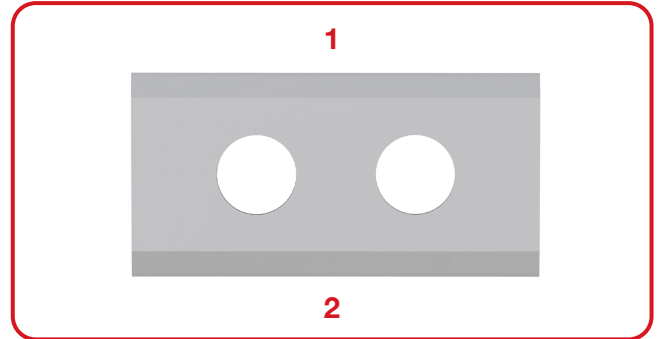


WARNING: Before cleaning, adjusting, or replacing the blades, turn your Mission™NANO OFF and put on protective gloves.



WARNING: When fitting new blades, make sure you replace ALL the blades. Always use new screws when fitting blades. This is important to ensure blade retention and balance the blade turning disc. Failure to use new screws could cause serious injury.

The Mission™NANO does not cut grass like other mowers. Its cutting blades are razor sharp on 4 edges and rotate in both directions for maximum cutting capacity. Each blade of your Mission™NANO has 4 cutting edges. The blade turning disc will make forward and reverse rotation at random to use 4 cutting edges and minimize the frequency of replacing the blades. Each cutting blade will last up to 3 months when it is programmed to mow every day. Always check to see if the blades are chipped or damaged and replace them if they are. When the cutting blades are dull and worn out, they should be replaced with the spare blades provided with your Mission™NANO. Spare blades are also available at your nearest Kress retailer.



A. Replace the blades

Usually your Mission™NANO's blades need to be reversed each month and replaced each 2 months. When replacing the blades, make sure to replace all of them at the same time. You can replace them with one of the spare blade kits and extra blade screws supplied with your Mission™NANO.

Before attempting to replace your Mission™NANO's blades, turn the power off and put on protective gloves and follow these steps:

1. Gently flip the Mission™NANO over.
2. Remove the battery cover and remove the battery.
3. Take the screws off the blades with a screwdriver.
4. Firmly screw on the new blades.
5. Refit the battery and the battery cover.



Important: After screwing the blade to the blade disc, make sure the blade is able to spin freely.

2

Keep it Clean



WARNING: Before cleaning, turn your Mission™NANO OFF. Put on protective gloves before cleaning the blade turning disc and do not rinse or flush with water.

A. Cleaning the Body

Your Mission™NANO will live a much happier and longer life if it is cleaned regularly. Since your Mission™NANO is an electric machine, you will need to take care when cleaning. **DO NOT use a hose, high pressure washers or otherwise pour running water on your Mission™NANO.** It is best to use a spray bottle filled with water. When cleaning the machine body, use a soft brush or clean cloth and avoid using solvents or polishes. Lastly, remove all build up of grass clippings and debris.



B. Cleaning the underside

Again, it is important that you power the Mission™NANO OFF and **wear protective gloves before touching the blade turning disc.**

First, flip your Mission™NANO upside down to expose its underside. Here you will see the blade disc, the chassis, and the front wheel and driving wheels. Clean everything thoroughly with a soft brush or moist rag.



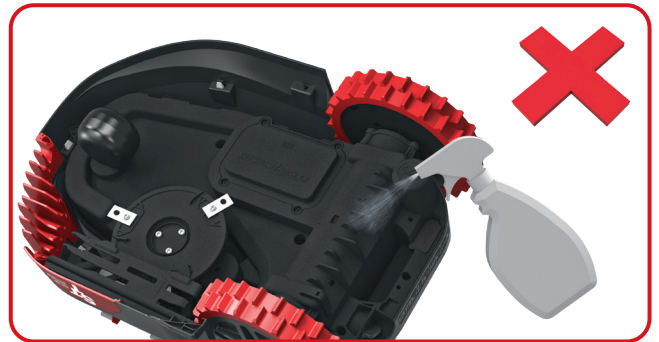
WARNING: NEVER clean the underside of Mission™NANO with running water.

Component damage can occur.

Rotate the blade disc to ensure it rotates freely.

Check the blades spin freely around the fixing screws. Remove any obstructions.

IMPORTANT: Remove any lodged debris so that it does not cause a crack in the blade disc. Even the tiniest crack can decrease your Mission™NANO's mowing output.



C. Clean the contact pins and the charging strips

Clean the contact pins located on the charging base and the charging strips located on the Mission™NANO using a cloth. Remove any built up grass clippings or debris around the contact pins and charge strips periodically to ensure the Mission™NANO successfully charges each time.



3

Battery Life

The heart of the Mission™NANO is its 20V Li-Ion Battery. For proper storage of the battery, make sure it is fully charged and kept in a cool dry place between (20°C ± 5°C).

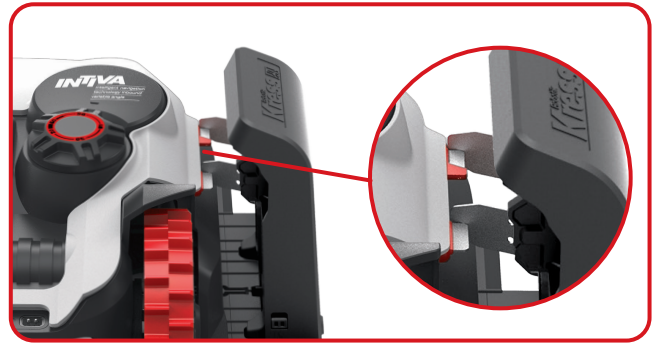
NOTE: The recommend Mission™NANO operation temperature is between 0°C - 45°C.

The life-span of the Mission™NANO's battery depends on various factors, such as:

- The length of the mowing season in your region
- Amount of hours the Mission™NANO mows per day
- Battery maintenance during storage

Mission™NANO can be charged manually without the boundary wire.

1. Connect the charging base to a suitable power supply. The green light on the charging base will turn on.
2. Manually dock the Mission™NANO into the charging base while the Mission™NANO is powered off.
3. The green light on the charging base will be flashing. Mission™NANO will begin to charge.



4

Winter Hibernation

Your Mission™NANO will live longer and healthier if it is allowed to hibernate. So even though it is tough, we recommend storing your Mission™NANO in your shed or garage during the winter.

Before you prepare your Mission™NANO for winter hibernation, we recommend you:

- Thoroughly clean your Mission™NANO
- Fully charge the battery
- Turn the power off

To maximize the battery life, fully charge the battery before storage during winter.

! **WARNING: Protect the underside of Mission™NANO from water. NEVER store Mission™NANO upside down outdoors.**

The boundary wire can be left in the ground although its ends should be protected, such as placed in a tin can with grease. If the charging base is left outside for the winter, leave the boundary wire connected.

NOTE: When bringing the Mission™NANO back to work after winter hibernation, make sure the charging strips and contact pins are clean. We recommend using a fine grade emery cloth to clean the contacts. Using the app, make sure the date and time are correct and send Mission™NANO back to what it loves doing: mowing.

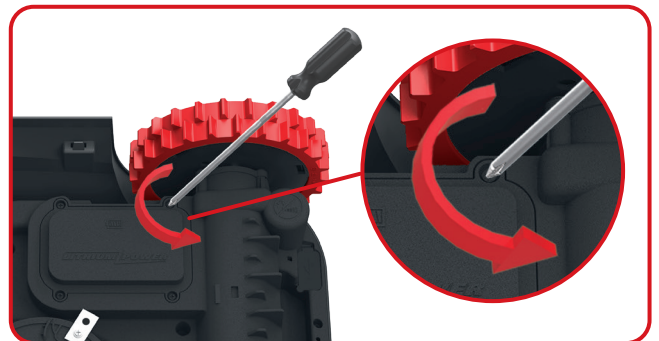
5

Replacing the battery

! **WARNING: Power off before attempting any adjustment, replacement or repair. Before replacing the blades, turn your Mission™NANO OFF and put on protective gloves.**

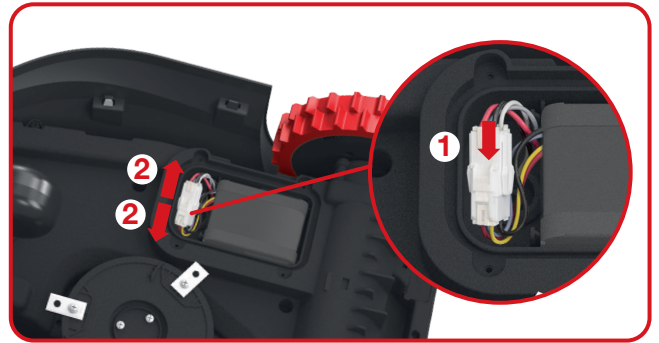
If you need to replace the battery, follow these steps:

1. Gently turn your Mission™NANO upside down.
2. Remove the screws on the battery cover. Remove the battery cover.

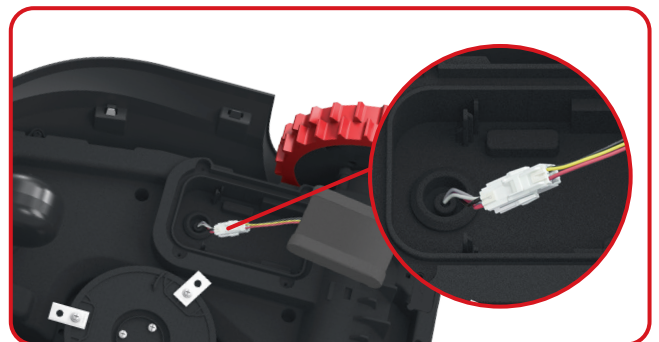
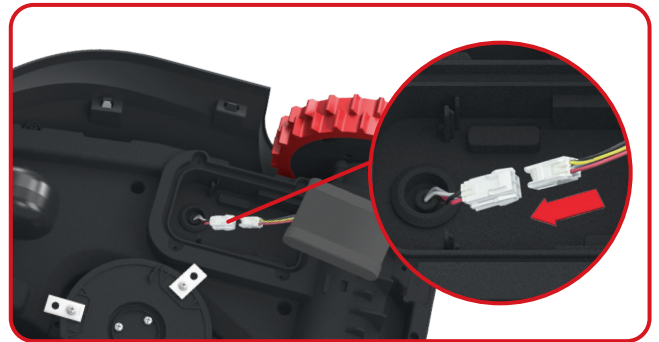


3. Lift out the old battery carefully. Press the latch and release the connectors.

NOTE: Do not pull by the cables. Hold the connectors and release the latch.



4. Connect a new original battery by attaching the connectors until they click into position.



5. Fit the battery as shown. Place the cover back in its position and tighten the screws.



Error Messages

Sometimes things can go wrong. Fortunately Mission™NANO is smart enough to tell you if it is encountering an issue, so you can fix it. If in doubt, please visit our website where you will find useful videos and further support.

Message	Cause	Action
EE	Error unknown.	Please contact Customer Services.
F 1	Rain delay.	Your Mission™NANO will start after the rain stops and the rain delay has expired.
E 1	Boundary wire missing or Mission™NANO outside wire.	<ol style="list-style-type: none"> 1. If Mission™NANO is actually outside its working area: turn power off, take Mission™NANO inside its working area. Turn power on. Press START. 2. If Mission™NANO is inside its working area, check if the LED on the charging base is green. If not, verify that the charging base is properly connected to the charger and that the charger is connected to a suitable power supply. If they are properly connected, the boundary wires are clamped incorrectly and must be reversed. 3. Reverse the boundary wire ends.
E 2	Motor wheels fault.	<p>Turn power off and take Mission™NANO to an area free from obstacles.</p> <p>Turn power on. Press START. If the error message is still displayed, turn power off. Turn Mission™NANO upside-down and check if there's anything preventing the wheels from rotating.</p> <p>Remove any obstruction, turn Mission™NANO upright, turn power on.</p>
E 3	Motor blade fault.	<p>Turn power off.</p> <p>Turn Mission™NANO upside down, put on safety gloves to prevent injury and check if there's anything preventing the blade disc to rotate.</p> <p>Remove any obstruction.</p> <p>Turn Mission™NANO upright and take it to an area with short grass or adjust the cutting height;</p> <p>Turn power on. Press START.</p>
E 4	Error trapped.	<p>Turn power off.</p> <p>Take Mission™NANO to an area in your lawn free of obstacles, turn power on. Press START.</p> <p>If the error message is still displayed: turn power off, turn Mission™NANO upside-down. Check if there is anything preventing the wheels from rotating.</p> <p>Remove any obstruction, turn the Mission™NANO upright, turn power on.</p>
E 5	Error lifted.	<p>Turn power off.</p> <p>Take Mission™NANO to a lawn area clear of obstacles, turn power on. Press START.</p> <p>If the error message is still displayed: turn power off, turn Mission™NANO upside-down and check there's anything that can cause Mission™NANO to be lifted up.</p> <p>Remove any possible object, turn Mission™NANO upright, turn power on.</p>
E 6	Error Upside Down (tilted).	Turn Mission™NANO upright.

E7	Battery charge error.	<p>1) Battery's temperature is too high (more than 55°C) when charging. Place the charging base in a shady area or wait until the temperature has cooled down.</p> <p>2) Battery's temperature is too low. The outside temperature doesn't allow your Mission™NANO to work. It's time to recover it for winter time.</p> <p>3) Poor connection: check the connection between the contact pins located on the charging base and the charging strip and that the charging base is on a perfect flat ground.</p> <p>4) Power supply is broken: please contact Customer Services.</p>
E8	Error find home timeout.	<p>1) Charging base is badly placed (not on a flat ground), Mission™NANO doesn't find pins and doesn't stop. Check the base.</p> <p>2) Mission™NANO runs out of battery before reaching the charging base. The extended boundary wire should not exceed 350 meters.</p>
E9	<p>With the 'Lock Function' enabled, if your Mission™NANO does not receive a signal from your Wi-Fi router for 3 days, then it gets locked as a security measure.</p> <p>This could be because your router lost its power or because you changed your Wi-Fi router or network provider.</p>	<p>Please reconnect Mission™NANO to the Wi-Fi network it has been originally paired with.</p> <p>If this is not possible, contact Customer Service.</p>
E4:60 E4:61 E4:62 E4:63 E4:64	Module software update failure occurs.	<p>Please check that the module is correctly connected. Check that the file copied in the USB stick is not damaged.</p> <p>Turn power off, then turn it on and try the software update again.</p>
E4:50 E4:51 E4:52 E4:80 E4:81 E4:82 E4:83 E4:84 E4:80	Software update failure occurs.	<p>Please try the software update again or contact Customer Service.</p>

NOTES

- Before turning power on, always check Mission™NANO is inside its working area.
- If for any reason—i.e. a party, children playing...—you want to park your Mission™NANO in the charging base: press HOME then OK. Mission™NANO will go to its base and stay there. Please note Mission™NANO will now wait until the next scheduled mowing session. If you want to re-start it at anytime, press START then OK to start your Mission™NANO.
- If an error repeatedly occurs in the same area of your lawn, you might have a problem with the boundary wire so please refer to the installation instructions and check your set up is correct with its help.
- If your lawn is divided in two separated areas, connected by a corridor less than 1m wide, one of which is not provided with the charging base: when Mission™NANO runs out of charge, take it manually to the charging base.
- If Mission™NANO runs abnormally once in a while, please reset it by turning it off and removing the battery for 30 seconds, then restart it. If the problem cannot be solved, please contact our Customer Service for help.

Troubleshooting

If your Mission™NANO does not work correctly, follow the trouble shooting guide below. If the fault persists, contact your dealer.

Symptom	Cause	Action
The LED light on the charging base does not turn on.	There is no power.	Check the charging base is connected properly to the charger and the charger is connected to a suitable power supply.
Red light turns on the charging base.	The boundary wire isn't connected.	Check that the boundary wire has been connected correctly to the charging base. Check there are no breaks in the boundary wire, especially in the wire ends.
Your Mission™NANO is inside its territory and the boundary wire is connected. And “- E : -“ is displayed.	The boundary wire ends are clamped incorrectly.	Reverse the boundary wire ends.
Mission™NANO cannot correctly dock with the Charging base.	Environmental influences.	Restart Mission™NANO.
	Poor connection caused by debris on the charging strip.	Clean the contact pins located on the charging base and the charging strip on Mission™NANO using a cloth.
Mission™NANO runs outside the boundary wire. Mission™NANO does not mow an area within a boundary wire zone. Mission™NANO reverses or rotates erratically near the boundary wire.	The boundary wire of another Mission™NANO or another branded robotic mower is positioned too closely.	Ensure your Mission™NANO boundary wire has at least 1m of spacing between the neighboring boundary wire.
	The boundary wire has been installed with acute angles.	Check the boundary wire to ensure the angles are smooth.
	In wet conditions, the boundary wire electric signal may leak where wire has been joined or repaired.	Check boundary wire joints. Insulate to provide a fully waterproof connection.
	There is boundary wire electric signal leakage due to broken insulation.	Repair damaged boundary wire insulation with insulation tape.
	The cutting area is larger than the allowable cutting area for Mission™NANO.	Decrease the cutting area.
Mission™NANO exits the boundary wire due to high speed when going down a hill.	The boundary wire is placed on a slope steeper than 17% (10°).	Reposition the boundary wire away from slopes that are steeper than 17% (10°).

Environmental protection



Waste electrical products should not be disposed of with household waste. Please recycle where facilities exist. Check with your Local Authority or retailer for recycling advice.

Declaration of conformity

We,
Positec Germany GmbH
Postfach 32 02 16, 50796 Cologne, Germany

On behalf of Positec declare that the product

Description **Robotic Lawnmower**

Type **KR101E (100-199 - designation of machinery, representative of Robotic Lawnmower) (Serial number is placed on the back page) with battery charger KA0200 / KA0201 and charging base KA0071**

Function **Cutting grass**

Complies with the following Directives,

2006/42/EC, 2014/30/EU, 2014/35/EU, 2011/65/EU&(EU)2015/863, 2000/14/EC amended by 2005/88/EC, 2014/53/EU

2000/14/EC amended by 2005/88/EC

- Conformity Assessment Procedure as per **Annex V**
- Measured Sound Power Level **65.5 dB (A)**
- Declared Guaranteed Sound Power Level **67 dB (A)**

The notified body Intertek, Semko AB, NB-No. 0413 has carried out an EU type examination according to Directive 2014/53/EU and issued the following EU type examination certificate: SE-RED-2200106

Standards conform to,

For Lawn mower: EN 50636-2-107:2015+A1:2018+A2:2020+A3:2021, EN 60335-1:2012+A11:2014+A13:2017+A1:2019+A2:2019+A14:2019+A15:2021, EN IEC 62311:2020, EN IEC 55014-1:2021, EN IEC 55014-2:2021, EN IEC 61000-3-2:2019+A1:2021, EN 61000-3-3:2013+A1:2019+A2:2021

For Induction loop system: EN 303 447 V1.1.1

For Ultrasonic module: EN 55011:2016+A11:2020

For Bluetooth & WIFI module (2.4G): EN 301 489-1 V2.2.3, EN 301 489-17 V3.2.4, EN 300 328 V2.2.2

For charger: EN IEC 55014-1:2021, EN IEC 55014-2:2021, EN IEC 61000-3-2:2019+A1:2021, EN 61000-3-3:2013+A1:2019+A2:2021, EN IEC 60335-2-29:2021+A1:2021, EN 60335-1:2012+A11:2014+A13:2017+A1:2019+A2:2019+A14:2019+A15:2021, EN 62233:2008

For Noise: EN ISO 3744:2005

For RoHS: EN IEC 63000:2018

The person authorized to compile the technical file,

Name Marcel Filz

Address Positec Germany GmbH Postfach 32 02 16, 50796 Cologne, Germany

2023/09/19

Allen Ding

Deputy Chief Engineer, Testing & Certification

Positec Technology (China) Co., Ltd.

18, Dongwang Road, Suzhou Industrial

Park, Jiangsu 215123, P. R. China

Produktsicherheit

Allgemeine Sicherheitshinweise für Elektrowerkzeuge



WARNUNG: Lesen Sie alle Sicherheitshinweise und Anweisungen. *Versäumnisse bei der Einhaltung der Sicherheitshinweise und Anweisungen können elektrischen Schlag, Brand und/oder schwere Verletzungen verursachen.*

Lesen Sie die Bedienungsanleitung zum sicheren Betrieb des Gerätes aufmerksam durch.

Bewahren Sie alle Sicherheitshinweise und Anweisungen für die Zukunft auf.

- Dieses Gerät ist nicht zur Verwendung durch Personen (einschließlich Kindern) vorgesehen, die über reduzierte körperliche Eignung, Wahrnehmung oder geistige Fähigkeiten, Mangel an Erfahrung und Wissen verfügen, sofern diese Personen nicht von einer verantwortlichen Person beaufsichtigt oder in der Verwendung des Gerätes unterwiesen wurden.
- Kinder sollten grundsätzlich beaufsichtigt werden, damit sie nicht mit dem Gerät spielen.
- Dieses Gerät enthält Batterien, die nur von Fachleuten ausgetauscht werden können. **WARNUNG:** Verwenden Sie zum Aufladen des Akkus nur das mit diesem Gerät gelieferte abnehmbare Netzteil.

**WICHTIG
VOR GEBRAUCH BITTE SORGFÄLTIG
DURCHLESEN UND FÜR WEITERE
FRAGEN AUFBEWAHREN**

Sicherer Betrieb Training

- a) Die Anweisungen aufmerksam durchlesen. Machen Sie sich mit den Bedienelementen und dem vorschriftsmäßigen Gebrauch des Rasenmähers vertraut.
- b) Niemals Kindern oder mit diesen Anweisungen nicht vertrauten Personen erlauben, den Rasenmäher zu benutzen. Nationale Vorschriften können das Alter der Bedienperson möglicherweise beschränken.
- c) Bedenken Sie, dass der Bediener oder Benutzer bei Unfällen oder Gefährdungen

Vorbereitung

- a) Stellen Sie sicher, dass das Begrenzungskabel gemäß den Anweisungen verlegt wird.
- b) Inspizieren Sie die Gegend, in der die Ausrüstung eingesetzt werden soll, gründlich und entfernen Sie alle Objekte, die durch die Maschine aufgeschleudert werden könnten.
- c) Überprüfen Sie in regelmäßigen Abständen, ob Messer, Messerschrauben und Schneidbalken abgenutzt oder beschädigt sind. Abgenutzte Messer und Schrauben nur im ganzen Satz auswechseln, um Unwuchten zu vermeiden.
- d) Achten Sie darauf, dass bei Geräten mit mehreren Klingen ein Klingensatz durch den anderen in Rotation versetzt werden kann.
- e) **WARNUNG!** Der Rasenmäher darf nicht betrieben werden, wenn der Schutz nicht angebracht ist.

Betrieb

1. Allgemeine Sicherheitshinweise

- a) Betreiben Sie das Gerät niemals mit defektem Schutz oder ohne installierte Sicherheitsvorrichtungen, wie etwa Deflektoren;
- b) Hände und Füße nicht in die Nähe oder unter rotierende Teile bringen. Halten Sie sich stets von der Austrittsöffnung fern.
- c) Niemals den Rasenmäher bei laufendem Motor anheben oder tragen.
- d) Betätigen Sie die Deaktivierungseinrichtung des Geräts:
 - vor dem Beseitigen einer Verstopfung;
 - vor dem Überprüfen, Reinigen oder Arbeiten am Gerät;
 - nach dem Auftreffen auf einen Fremdkörper ist das Gerät auf Schäden zu überprüfen;
 - wenn das Gerät beginnt, ungewöhnlich zu vibrieren, und zur Überprüfung auf Beschädigungen vor der Wiederinbetriebnahme.
- e) Der ursprüngliche Zustand des Kress Mission™ NANO darf nicht modifiziert werden. Alle Änderungen erfolgen auf eigene Verantwortung.
- f) Starten Sie den Roboter-Rasenmäher gemäß Anweisungen. Achten Sie bei eingeschaltetem Gerät darauf, dass Ihre Hände und Füße nicht in die Nähe der rotierenden Messer kommen. Bringen Sie Ihre Hände und Füße niemals unter den


Rasenmäher.

- g) Heben Sie den Mähroboter niemals an und tragen Sie ihn nicht, wenn er eingeschaltet ist.
- h) Erlauben Sie niemandem, der sich mit den Funktionen und Verhaltensmustern des Kress Mission™NANO nicht auskennt, den Mäher zu benutzen.
- i) Keine Gegenstände auf den Kress Mission™NANO oder seine Ladestation legen.
- j) Wenn der Messerteller oder das Gehäuse defekt ist, darf der Kress Mission™NANO nicht in Betrieb genommen werden. Das gleiche gilt für defekte Messer, Schrauben, Muttern oder Kabel.
- k) Schalten Sie den Roboter-Rasenmäher stets aus, wenn dieser nicht verwendet wird. Der Mähroboter kann nur starten, wenn der Strom eingeschaltet ist und der korrekte PIN-Code eingegeben wurde.
- l) Halten Sie Hände und Füße von den rotierenden Rasenmäherklingen fern. Halten Sie mit Ihren Händen und Füßen stets einen sicheren Abstand zum Gehäuse ein, solange der Rasenmäher in Betrieb ist.
- m) Vermeiden Sie die Nutzung der Maschine und deren Peripheriegeräten bei schlechtem Wetter, besonders wenn die Gefahr eines Blitzschlags.
- n) Berühren Sie sich bewegende gefährliche Teile nicht, bevor diese vollständig zum Stillstand gekommen sind.
- o) Bei Maschinen, die in öffentlichen Bereichen verwendet werden, müssen diese Warnschilder um den Arbeitsbereich der Maschine angebracht werden. Sie sollen den Inhalt des folgenden Textes zeigen: Warnung! Automatischer Rasenmäher! Halten Sie sich von der Maschine fern! Beaufsichtigen Sie Kinder!

2. Hinweis zum Automatikbetrieb des Roboters

- a) Den Kress Mission™NANO niemals unbeaufsichtigt verwenden, wenn sich Personen – besonders Kinder – oder Haustiere in der Nähe aufhalten.

Wartung und Lagerung

 **WARNUNG! Falls der Mäher auf den Kopf gedreht werden soll, muss er immer ausgeschaltet sein. Bei allen Arbeiten am Untergestell des Mähers, z. B. beim Reinigen oder Auswechseln der Messer, muss er**

ausgeschaltet sein.

- a) Stellen Sie den festen Sitz aller Schrauben, Muttern und Bolzen sicher, um zu gewährleisten, dass sich der Rasenmäher in einem betriebssicheren Zustand befindet.
- b) Den Kress Mission™NANO einmal pro Woche kontrollieren und eventuell beschädigte oder verschlissene Teile austauschen.
- c) Messer und Messerteller besonders sorgfältig auf Schäden untersuchen. Bei Bedarf alle Messer und Schrauben gleichzeitig austauschen, um eine Unwucht der rotierenden Teile zu vermeiden.
- d) Verwenden Sie beim Austausch nur Original Kress Messer.
- e) Verwenden Sie zum Laden des Akkus nur das vom Hersteller empfohlene Ladegerät. Eine nicht den Hinweisen entsprechende Verwendung kann zu einem Stromschlag, zur Überhitzung oder zum Auslaufen der Batterieflüssigkeit führen.
- f) Tritt Batterieflüssigkeit aus, beseitigen Sie sie mit Wasser und einem neutralen Reinigungsmittel. Kommt sie mit Augen etc. in Kontakt, suchen Sie sofort einen Arzt auf.
- g) Warten Sie den Roboter nach den Anweisungen des Herstellers.

Empfehlung

Schließen Sie die Maschine und/oder deren Peripheriegeräte nur an einen Speisestromkreis an, der über einen Fehlerstromschutzschalter (RCD) mit einem Auslösestrom von nicht mehr als 30 mA verfügt.

Restrisiken

Um Verletzungen zu vermeiden, tragen Sie beim Wechseln der Klingen Schutzhandschuhe.

Transport

Für längere Transporte legen Sie den Kress Mission™NANO am besten in die Originalverpackung.

Für einen sicheren Transport vom oder innerhalb des Arbeitsbereichs:

- a) Drücken Sie die STOP -Taste, um den Mäher zu stoppen.
- b) Sie wählen den vierstelligen PIN aus, wenn Sie den Mäher das erste Mal benutzen.
- c) Schalten Sie den Roboter-Rasenmäher immer aus, wenn Sie diesen tragen möchten.
- d) Den Mäher an seinem Griff ganz hinten

unten tragen. Halten Sie den Messerteller beim Tragen des Mähers vom Körper weg.

Anforderungen an die HF-Exposition

Um die Anforderungen an die HF-Exposition zu erfüllen, sollte während des Betriebs des Geräts ein Abstand von mindestens 200 mm zwischen diesem Gerät und Personen eingehalten werden.

Um die Konformität zu gewährleisten, wird der Betrieb bei einem Abstand unter 200mm nicht empfohlen. Die für diesen Sender verwendete Antenne darf nicht zusammen mit einer anderen Antenne oder einem anderen Sender installiert werden.

Dies ist ein Gerät der Klasse III und darf nur mit Sicherheitskleinspannung entsprechend der Kennzeichnung auf dem Gerät betrieben werden.

Sicherheitshinweise bezüglich des Akkus im Werkzeug

- a) Zellen bzw. Akku nicht zerlegen, öffnen oder zerdrücken.**
- b) Akku nicht kurzschließen. Akkus nicht wahllos in einer Schachtel oder Schublade aufbewahren, wo sie einander kurzschließen oder durch andere leitfähige Materialien kurzgeschlossen werden könnten.** Bei Nichtverwenden des Akkus ist dieses von Metallgegenständen, wie etwa Büroklammern, Münzen, Nägeln, Schrauben oder anderen kleinen Metallgegenständen fernzuhalten, wo sich die Batterieklemmen berühren können. Das Kurzschließen der Batterieklemmen kann Verbrennungen bzw. einen Brand verursachen.
- c) Zellen bzw. Akkus nicht Hitze oder Feuer aussetzen. Lagerung in direktem Sonnenlicht vermeiden.**
- d) Akku nicht mechanischen Stößen aussetzen.**
- e) Im Fall, dass Flüssigkeit aus dem Akku austritt, darf diese nicht in Kontakt mit der Haut oder den Augen kommen. Sollte dies dennoch geschehen, den betroffenen Bereich sofort mit viel Wasser spülen und einen Arzt aufsuchen.**
- f) Akku sauber und trocken halten.**
- g) Nur mit dem von Kress bezeichneten Ladegerät aufladen. Kein Ladegerät verwenden das nicht ausdrücklich für den Gebrauch mit dem Gerät**

vorgesehen ist.

- h) Keinen Akku verwenden der nicht für den Gebrauch mit dem Gerät vorgesehen ist.**
- i) Akkus von Kindern fernhalten.**
- j) Die originalen Produktunterlagen zum späteren Nachschlagen aufbewahren.**
- k) Ordnungsgemäß entsorgen.**
- l) Mischen Sie im Gerät keine Batterien unterschiedlicher Herstellung, Kapazität, Größe oder Art.**
- m) Halten Sie den Akku von Mikrowellen und hohem Druck fern.**
- n) Warnung! Verwenden Sie keine nicht wiederaufladbaren Batterien.**

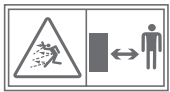
Anforderungen an die Bedienungsanleitung für akkubetriebene Geräte

- a) Der Betrieb dieses Geräts unterliegt den folgenden zwei Bedingungen:
 - (1) Dieses Gerät darf keine schädlichen Interferenzen verursachen und
 - (2) dieses Gerät muss störsignalfest sein, einschließlich der Störungen, die einen unerwünschten Betrieb verursachen können.
- b) Achtung: Änderungen oder Modifikationen an diesem Gerät, die nicht ausdrücklich von der für die Einhaltung der Vorschriften verantwortlichen Partei genehmigt wurden, können dazu führen, dass der Benutzer die Berechtigung zum Betrieb des Geräts verliert.
- c) HINWEIS: Dieses Gerät verursacht und verwendet Hochfrequenzenergie und kann diese ausstrahlen. Falls es nicht entsprechend den Anweisungen installiert und verwendet wird, kann es störende Interferenzen beim Funkverkehr hervorrufen. Es gibt jedoch keine Garantie, dass in einer bestimmten Installation keine Störungen auftreten. Falls dieses Gerät Störungen des Radio- oder Fernsehempfangs verursacht, was durch Ein- und Ausschalten des Geräts festgestellt werden kann, sollte der Nutzer versuchen, die Störungen durch eine oder mehrere der folgenden Maßnahmen zu beheben:
 - Richten Sie die Empfangsantenne neu aus oder verlegen Sie sie.
 - Vergrößern Sie den Abstand zwischen dem Gerät und dem Empfänger.
 - Schließen Sie das Gerät an einen anderen Stromkreis an als den, an den der Empfänger angeschlossen ist.
 - Wenden Sie sich an den Händler oder einen erfahrenen und geschulten Radio/TV-Fachmann, um Hilfe zu bekommen.

Symbole



WARNUNG–Rasenmäroboter können bei unsachgemäßer Verwendung gefährlich sein. Lesen Sie die Bedienungsanleitung sorgfältig durch und verstehen Sie deren Inhalt, bevor Sie Ihren Rasenmäroboter betreiben.



WARNUNG- Halten Sie einen Sicherheitsabstand wenn der Roboter-Rasenmäher in Betrieb ist.



WARNUNG – Betätigen Sie die Deaktivierungsvorrichtung, bevor Sie am Gerät arbeiten oder die Maschine anheben.



WARNUNG – RASENMÄHROBOTER darf nicht als Transportmittel missbraucht werden.



Gerät der Klasse III



Elektroprodukte dürfen nicht mit dem normalen Haushaltsmüll entsorgt werden, sondern sollten nach Möglichkeit zu einer Recyclingstelle gebracht werden. Ihre zuständigen Behörden oder Ihr Fachhändler geben Ihnen hierzu gerne Auskunft.



Lithium-Ionen-Akku: Dieses Produkt wurde mit einem Symbol markiert, das sich auf die 'gesonderte Sammlung' aller Akkupacks und Akkus bezieht. Es wird anschließend recycelt oder demontiert, um die Beeinträchtigung der Umwelt zu verringern. Akkupacks können die Umwelt und menschliche Gesundheit beeinträchtigen, da diese schädliche Substanzen enthalten.



Nicht im Feuer entsorgen



Wenn die Batterie unsachgemäß behandelt wird, kann sie in den Wasserkreislauf gelangen, was für das Ökosystem schädlich sein kann. Entsorgen Sie Altbatterien nicht über den Hausmüll.



Waschen Sie das Gerät nicht mit einem Hochdruckreiniger.

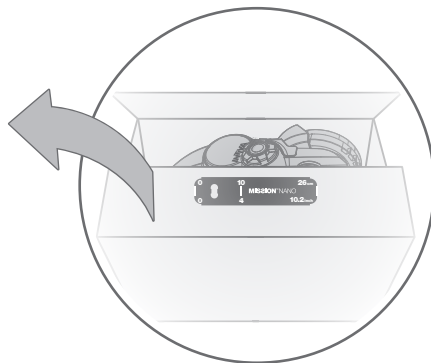
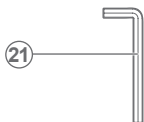
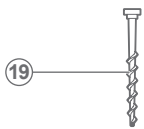
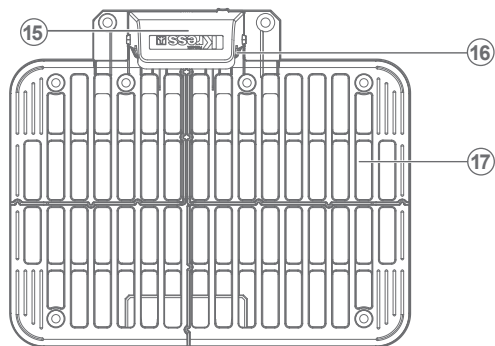
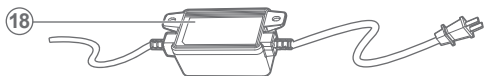
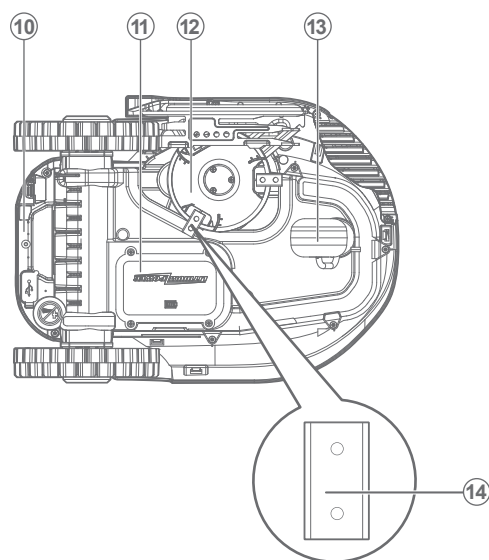
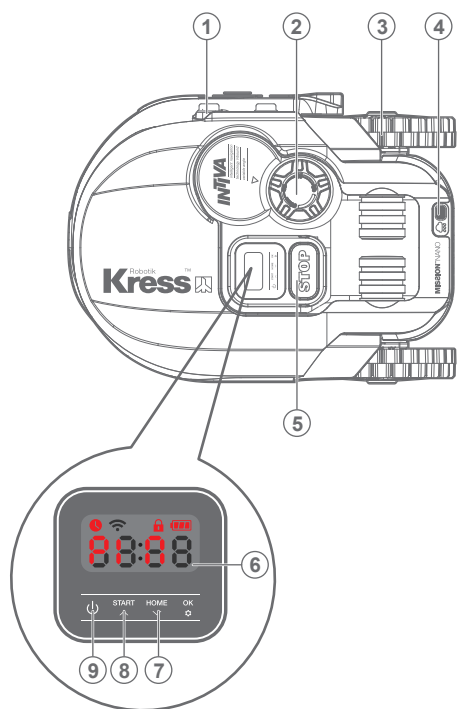


Lesen Sie die Bedienungsanleitung



Abnehmbare Versorgungseinheit

Komponenten



- | | |
|---|---------------------------------------|
| 1. Ladestreifen | 12. Messerteller |
| 2. Drehknopf zum einstellen der schnitthöhe | 13. Vorderrad |
| 3. Hinteres antriebsrad | 14. Messer |
| 4. Regensensor | 15. Schutzhaube |
| 5. Stopptaste | 16. Kontakte |
| 6. Anzeige | 17. Ladestation |
| 7. Home-taste | 18. Netzteil |
| 8. Start-taste | 19. Ladestation-befestigungsschrauben |
| 9. Ein/aus-taste | 20. Abstandsschablone |
| 10. Griff | 21. Inbusschlüssel |
| 11. Akku | |

Technische daten


Typ **KR101E (100-199 - Bezeichnung der Maschine, repräsentiert den Rasenmäroboter)**

Nennleistung	20 V $\overline{=}$ Max.*
Leerlaufdrehzahl	2800 /min
Schneidebereich	600 m ²
Schnittbreite	18 cm
Schnitthöhe	30-60 mm
Schnitthöhenverstellung	4
Batterietyp	Lithium-ion
Akkumodell	KA3022
Ladezeit Ca.	105 min
Ladegerätmodell	KA0200 / KA0201
Leistung des Ladegeräts	Eingang: 100-240 V~50/60 Hz, 38 W, Ausgang: 20 V, 1.5 A
Gewicht	8.95 kg
Schutzklasse	III
App	Y
Maximale Neigung der Arbeitsfläche	35%
Frequenzbänder für Bluetooth (MHz)	2400-2483.5 MHz
Maximale Sendeleistung für Bluetooth (dBm)	8 dBm
Frequenzbereiche für WIFI (MHz)	2400-2483.5 MHz
Maximale Sendeleistung für WIFI (dBm)	20 dBm
Frequenzband von Induktionsschleifensystemen	77 Hz
Max. Hochfrequenzleistung des Induktionsschleifensystems	82 dB μ A/m

* Spannung ohne Arbeitslast gemessen. Die anfängliche Akkuspannung erreicht maximal 20 Volt. Die

Nennspannung liegt bei 18 Volt.

Informationen über Lautstärke

Gewichteter Schalldruck	$L_{pA} = 45.5 \text{ dB (A)}, K_{pA} = 0.6 \text{ dB(A)}$
Gewichtete Schallleistung	$L_{wA} = 65.5 \text{ dB (A)}, K_{wA} = 0.6 \text{ dB(A)}$
Tragen Sie einen Schallschutz bei einem Schalldruck über	80 dB(A) 

Eine gewisse Geräuschentwicklung der Maschine ist unvermeidlich. Die Durchführung geräuschintensiver Arbeiten benötigt eine Zulassung und muss in bestimmten Zeiten eingeschränkt werden. Halten Sie Ruhephasen ein und beschränken Sie die Arbeitsstunden auf ein Minimum. Zu Ihrem eigenen Schutz und den von Personen, die sich in der Nähe befinden, muss ein geeigneter Gehörschutz getragen werden.

Zubehörteile

Schrauben	9
Ladestation	1
Fixierungsnägel für Ladestation	8
Inbusschlüssel	1
Begrenzungskabel Abstandslehre	2
Messer	9
Akkupack (KA3022)	1
Lader (KA0200 / KA0201)	1

25
De

Wir empfehlen Ihnen, sämtliche Zubehörteile beim selben Fachhändler zu beziehen, bei dem Sie auch Ihr Elektrowerkzeug oder Gartengerät gekauft haben. Weitere Informationen finden Sie auf der Verpackung der Zubehörteile. Auch Ihr Fachhändler berät Sie gerne.

Bestimmungsgemäßer Gebrauch

Dieses Produkt ist bestimmt für das Rasenmähen im privaten Bereich. Er ist zum häufigen Mähen bestimmt – er hält Ihren Rasen gesund und dieser wird gepflegter aussehen als je zuvor. Je nach Größe des Rasens kann der Mission™NANO so programmiert werden, dass er zu jeder beliebigen Zeit und mit jeder beliebigen Frequenz uneingeschränkt arbeitet. Es ist nicht zum Graben, Reinigen oder Schneeräumen konzipiert.

Wartung

Ihr Mission™NANO muss hin und wieder überprüft werden. Der Mission™NANO arbeitet hart und verdient daher von Zeit zu Zeit eine ordentliche Reinigung oder einen Austausch von Verschleißteilen. Verwenden Sie niemals Ihren Mission™NANO, wenn der Ein/Aus Schalter defekt ist.

Schalten Sie die Maschine aus, ehe Sie jegliche Reparatur- oder Wartungsarbeiten ausführen.

In Folgenden möchten wir Ihnen erklären, wie Sie Ihren neuen Mission™NANO am besten an sein neues Umfeld gewöhnen und ihm die Pflege zukommen lassen, die er verdient.

1

Immer schön scharf



WARNUNG: Bevor Sie den Mission™NANO reinigen, einstellen oder die Messer auswechseln, schalten Sie Ihren Mission™NANO AUS und ziehen Sie Schutzhandschuhe an.



WARNUNG: Beim Austausch der Messer Wechseln Sie bei einem Austausch unbedingt grundsätzlich alle Messer auf einmal. Verwenden Sie beim Fixieren der Messer stets neue Schrauben. Das ist wichtig, um den Klingenhalt sicherzustellen und die Klingendrehscheibe auszuwuchten. Falls Sie keine neuen Schrauben verwenden, kann dies zu schweren Verletzungen führen.

Der Mission™NANO schneidet Gras nicht wie andere Rasenmäher. Seine Messer sind an 4 Kanten rasiermesserscharf und wirbeln zum perfekten Schnitt in beide Richtungen. Jedes Messer Ihres Mission™NANO ist mit 4 Schneiden ausgestattet. Die rotierenden Klingen macht willkürliche Vor- und Rückwärtsbewegungen, damit 4 Seiten der Klingen genutzt werden. Und mit dem neuen Material wird die Lebensdauer jedes Schneidmessers dreimal länger sein als die anderer Marken, wenn er programmiert ist, jeden Tag zu mähen.. Schauen Sie immer nach, ob die Messer angeschlagen oder anderweitig beschädigt sind; falls ja, wechseln Sie die Messer aus. Wenn die Messer stumpf und verschlissen sind, sollten sie durch die Ersatzmesser ersetzt werden, die mit Ihrem Mission™NANO geliefert wurden. Ersatzmesser erhalten Sie auch beim Kress-Händler in Ihrer Nähe.

26

De

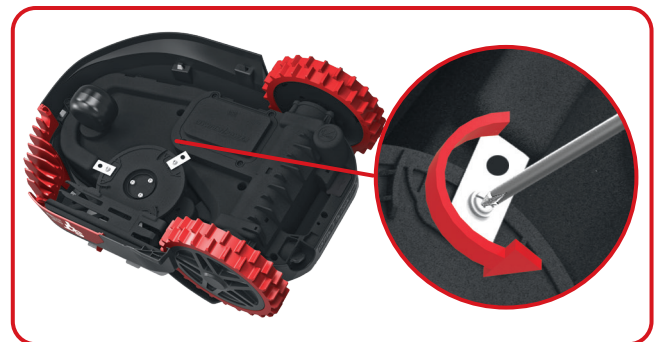
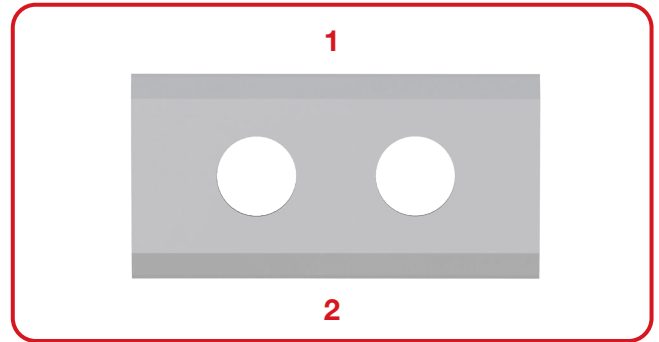
A. Messer austauschen

Normalerweise müssen die Messer Ihres Mission™NANO jeden Monat umgedreht und alle 2 Monate vollständig ausgetauscht werden. Tauschen Sie also unbedingt immer alle Messer auf einmal aus. Zum Austausch können Sie einen der Ersatzmessersätze und die zusätzlichen Messerschrauben verwenden, die mit Ihrem Mission™NANO geliefert wurden.

Vor dem Austausch der Messer schalten Sie den Mission™NANO unbedingt ab und ziehen Schutzhandschuhe über! Dann führen Sie diese Schritte aus:

1. Drehen Sie den Mission™NANO sanft auf den Rücken.
2. Entfernen Sie die Batterieabdeckung und entnehmen Sie den Akku.
3. Lösen Sie die Messerschrauben mit einem Schlitz- oder schraubendreher.
4. Schrauben Sie die neuen Messer gut fest.
5. Setzen Sie den Akku ein, und bringen Sie die Batterieabdeckung wieder an.

Wichtig: Überzeugen Sie sich nach dem Verschrauben der Messer, dass sich diese frei drehen lassen.



2

Sauber halten

! **WARNUNG:** Bevor Sie Ihren Mission™NANO reinigen, schalten Sie ihn AUS. Ziehen Sie Schutzhandschuhe über, bevor Sie die Messerscheibe reinigen; nutzen Sie dazu kein fließendes Wasser.

A. Gehäuse reinigen

Ihr Mission™NANO fühlt sich deutlich wohler und lebt länger, wenn Sie ihn regelmäßig reinigen. Da Ihr Mission™NANO im Grunde ein Elektrogerät ist, müssen Sie beim Reinigen mit einer gewissen Sorgfalt vorgehen - **verwenden Sie deshalb KEINEN Schlauch oder Hochdruckreiniger bzw. ertränken Sie Ihren Mission™NANO nicht mit fließendem Wasser;** greifen Sie am besten zu einer mit Wasser gefüllten Sprühflasche. Reinigen Sie das Kunststoffgehäuse mit einer weichen Bürste oder einem Tuch, verzichten Sie auf Lösungsmittel und Polituren. Achten Sie gut darauf, dass sämtliche Grasreste und sonstige Rückstände gründlich entfernt werden.



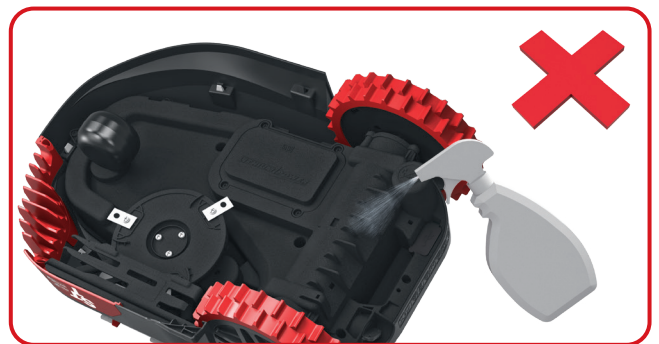
B. Unterseite reinigen

Nicht vergessen, ganz wichtig: Schalten Sie den Mission™NANO ab und **ziehen Sie Schutzhandschuhe über, bevor Sie den Messerteller berühren!**

Drehen Sie zuerst Ihren Mission™NANO um. Nun sehen Sie den Messerteller, den umgebenden Motorgehäuserahmen sowie die Vorderräder und Antriebsräder. Reinigen Sie alles gründlich mit einer weichen Bürste oder mit einem feuchten Lappen.

! **WARNUNG:** Reinigen Sie **NIEMALS** die Unterseite des Mission™NANO mit fließendem Wasser. Es können Schäden an den Komponenten auftreten. Drehen Sie das Schneidrad um sicherzustellen, dass es frei dreht. Prüfen Sie, dass sich die Klingen problemlos um die Maschine lässt sich auch mit einem sanften Wasserstrahl reinigen. Befestigungsschrauben drehen. Beseitigen Sie alle Hindernisse.

Wichtig: Entfernen Sie **sämtliche (auch die kleinsten) Rückstände, damit es nicht zu Rissen in der Messerscheibe kommt. Auch der winzigste Riss kann die Mähleistung Ihres Mission™NANO beeinträchtigen.**



C. Kontakte und Ladestreifen reinigen

Reinigen Sie die Kontakte an der Ladestation und den Ladestreifen am Mission™NANO mit einem Tuch. Entfernen Sie sämtliche Grasreste und sonstige Rückstände rund um die Kontakte und Ladestreifen regelmäßig, damit sich der Mission™NANO stets problemlos aufladen kann.

3

Akkulaufzeit und -haltbarkeit

Das Herzstück des Mission™NANO ist seine 20V-Lithiumbatterie. Für eine ordnungsgemäße Lagerung des Akkus ist sicherzustellen, dass er voll aufgeladen an einem, trockenen Ort (20°C ± 5°C) aufbewahrt wird.

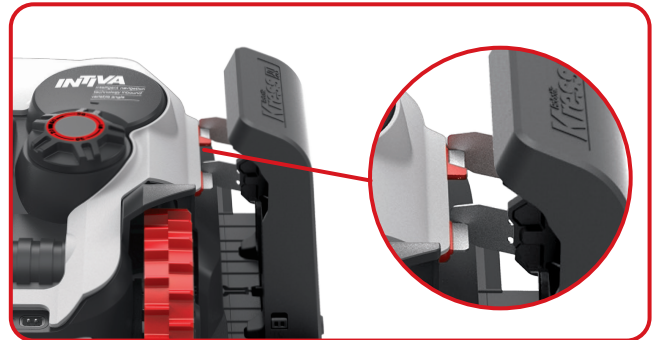
HINWEIS: Die empfohlene Betriebstemperatur des Mission™NANO liegt zwischen 0°C - 45°C.

Die Lebenserwartung des Mission™NANO-Akkus hängt von unterschiedlichen Faktoren ab; beispielsweise:

- Dauer der Schönwettersaison (der „Mähseason“) an Ihrem Wohnort.
- Mission™NANO-Arbeitsstunden pro Tag
- Art und Weise der Akkulagerung

Mission™NANO kann ohne das Begrenzungskabel manuell aufgeladen werden.

1. Schließen Sie die Ladestation an eine geeignete Stromversorgung an. Die grüne Lampe der Ladestation erleuchtet grün.
2. Docken Sie den Mission™NANO manuell an die Ladestation an, während der Mission™NANO ausgeschaltet ist.
3. Die grüne LED auf der Ladestation blinkt, der Mission™NANO beginnt mit dem Ladevorgang.



4

Überwintern

Ihr Mission™NANO lebt länger und gesünder, wenn Sie ihm einen wohlverdienten Winterschlaf gönnen. Obwohl der Mission™NANO ein zäher Bursche ist, sollten Sie ihm im Winter einen Platz im Schuppen oder in der Garage zugestehen.

Bevor Sie Ihren Mission™NANO in den Winterschlaf entlassen, sollten Sie noch Folgendes erledigen:

- Reinigen Sie Ihren Mission™NANO gründlich.
- Laden Sie den Akku komplett auf.
- Schalten Sie das Gerät ab.

Zum Maximieren der Lebensdauer des Akkus wird empfohlen, den Akku vor dem Lagern im Winter voll aufzuladen.



WARNUNG: Schützen Sie die Unterseite des Mission™NANO vor Wasser. Lagern Sie den Mission™NANO NIEMALS draußen falsch herum.

Das Begrenzungskabel kann im Boden verbleiben; seine Enden sollten Sie jedoch vor der Witterung schützen – zum Beispiel, indem Sie ein mit Fett gefülltes Döschen darüber stülpen. Falls die Ladebasis im Winter draußen verbleibt, lassen Sie das Begrenzungskabel angeschlossen.

HINWEIS: Wenn Sie den Mission™NANO wieder aus seinem Winterschlaf erwecken, sorgen Sie dafür, dass die Ladestreifen und die Kontaktstreifen gründlich sauber sind; dies können Sie mit feinem Schleifpapier erledigen. Stellen Sie mit der App sicher, dass Datum und Uhrzeit korrekt sind, und schicken Sie den Mission™NANO zurück zu der Aufgabe, die er liebt: Mähen.

5

Akku austauschen



WARNUNG: Schalten Sie das Gerät unbedingt mit der Ein-/Austaste aus, bevor Sie sich Einstellungen, Austausch oder Reparatur zuwenden!

Bevor Sie die Messer auswechseln, schalten Sie Ihren Mission™NANO AUS und ziehen Sie Schutzhandschuhe an.

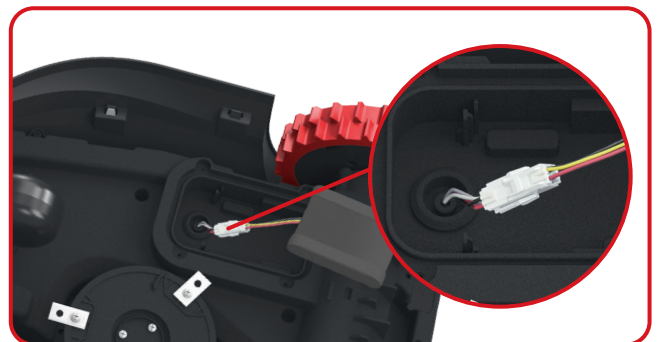
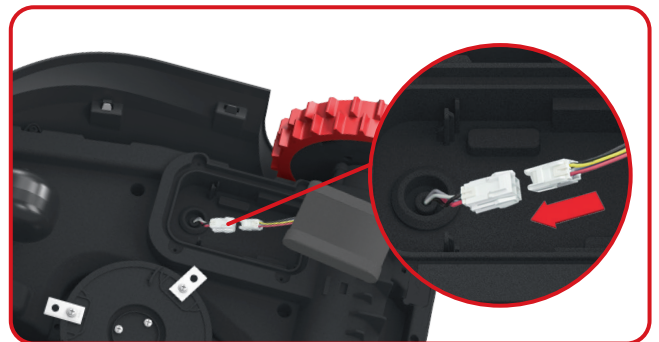
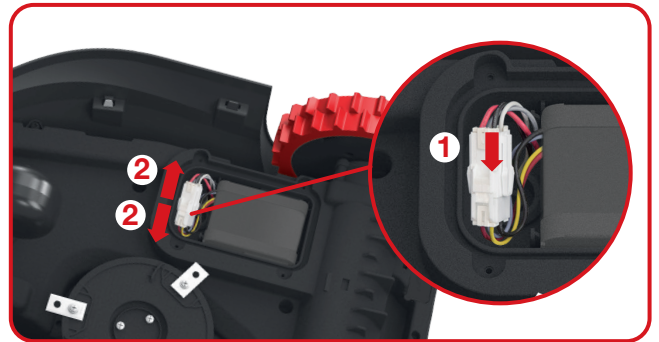
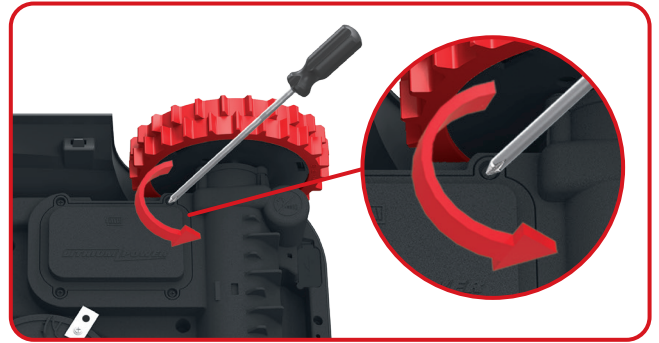
Wenn der Akku ausgetauscht werden muss, erledigen Sie dies mit den folgenden Schritten:

1. Drehen Sie Ihren Mission™NANO sanft auf den Rücken.
2. Lösen Sie die Schrauben an der Abdeckung. Entfernen Sie die Abdeckung des Batteriefachs.
3. Nehmen Sie die alte Batterie vorsichtig heraus. Drücken Sie die Verriegelung und lösen Sie die Steckverbinder.

HINWEIS: Nicht an den Drähten ziehen. Halten Sie die Verbindungen fest und lösen Sie den Riegel.

4. Verbinden Sie eine neue, Original Batterie, indem Sie die Verbindungen zusammenbringen, bis diese in Position sind.

5. Montieren Sie den Akku wie abgebildet. Platzieren Sie die Abdeckung erneut in ihre Position und ziehen Sie die Schrauben gut an.



Fehlermeldungen

Manchmal können Dinge schief laufen. Glücklicherweise ist Mission™NANO intelligent genug, Ihnen mitzuteilen, wenn es ein Problem gibt, damit Sie es beheben können. Wenn Sie Zweifel haben, besuchen Sie bitte unsere Website, auf der Sie hilfreiche Videos und weiteren Support erhalten.

Symptome	Ursache	Maßnahme
EE	Unbekannte Fehler.	Bitte wenden Sie sich an den Kundendienst.
F I	Regenverzögerung.	Ihr Mission™NANO wird starten, wenn der Regen aufgehört hat und die Regenverzögerung abgelaufen ist.
E I	Begrenzungskabel fehlt oder Mission™NANO befindet sich außerhalb des Kabels.	<ol style="list-style-type: none"> Falls sich der Mission™NANO tatsächlich außerhalb seines Arbeitsbereich befindet: schalten Sie den Mission™NANO ab, bringen Sie ihn wieder zurück in den Arbeitsbereich. Schalten Sie den Mission™NANO ein. Drücken Sie auf START. Falls sich der Mission™NANO nicht unerlaubt von seinem Arbeitsbereich entfernt hat: Prüfen Sie, dass die LED an der Ladestation grün leuchtet. Falls nicht, prüfen Sie, dass die Ladestation ordnungsgemäß mit dem Ladegerät verbunden und dieses an eine passende Stromversorgung angeschlossen ist. Ist das der Fall, bedeutet das, dass die Enden des Begrenzungskabels mit falscher Polarität verbunden sind, und Sie müssen diese wechseln. Kehren Sie die Enden des Begrenzungskabels um.
E 2	Räder des Motors fehlerhaft.	Schalten Sie den Mission™NANO aus. Bringen Sie den Mission™NANO zu einer Stelle, an der sich keine Hindernisse befinden. Schalten Sie den Mission™NANO ein. Drücken Sie auf START. Falls die Fehlermeldung immer noch angezeigt werden sollte: schalten Sie den Mission™NANO aus, drehen Sie den Mission™NANO auf den Rücken, schauen Sie nach, ob irgendetwas die Räder am Drehen hindert. Entfernen Sie sämtliche Fremdkörper und Hindernisse, drehen Sie den Mission™NANO wieder richtig herum, schalten Sie ihn ein.
E 3	Motor Klinge fehlerhaft.	Schalten Sie den Mission™NANO aus. Drehen Sie den Mission™NANO auf den Kopf, ziehen Sie Schutzhandschuhe an, um Verletzungen zu vermeiden und prüfen Sie, ob irgendetwas das Drehen der Messerscheibe verhindert. Entfernen Sie das Hindernis. Bringen Sie den Mission™NANO wieder in die aufrechte Position und bringen Sie ihn in einen Bereich mit kurzem Gras, oder ändern Sie die Schnitthöhe. Schalten Sie das Gerät ein. Drücken Sie auf START.
E 4	Fehler Blockade.	Schalten Sie den Mission™NANO aus. Befreien Sie den Mission™NANO und bringen Sie ihn an eine andere Stelle. Schalten Sie das Gerät ein. Drücken Sie auf START. Falls die Fehlermeldung immer noch angezeigt werden sollte: schalten Sie den Mission™NANO aus, drehen Sie den Mission™NANO um. Prüfen Sie, ob die Räder durch irgendetwas am Drehen gehindert werden. Entfernen Sie sämtliche Fremdkörper und Hindernisse, drehen Sie den Mission™NANO wieder richtig herum, schalten Sie ihn ein.
E 5	Fehler angehoben.	Schalten Sie den Mission™NANO aus. Bringen Sie den Mission™NANO zu einer Stelle, an der sich keine Hindernisse befinden, schalten Sie ihn ein. Drücken Sie auf START. Wenn die Fehlermeldung noch immer angezeigt wird: schalten Sie das Gerät aus, drehen Sie den Mission™NANO auf den Kopf und prüfen Sie, ob eine Bedingung vorliegt, durch die der Mission™NANO angehoben wurde. Entfernen Sie eventuell vorhandene Fremdkörper, drehen Sie den Mission™NANO wieder richtig herum, schalten Sie ihn ein.

Ⓔ 6	Fehler umgekippt (geneigt).	Drehen Sie den Mission™NANO richtig herum.
Ⓔ 7	Akkuladung fehlerhaft.	1) Die Temperatur des Akkus ist beim Aufladen zu hoch (mehr als 550C). Bringen Sie die Ladebasis in einem schattigen Bereich oder warten Sie, bis die Temperatur gesunken ist. 2) Temperatur des Akkus zu niedrig. Die Außentemperatur verhindert, dass Ihr Mission™NANO funktioniert. Es ist an der Zeit, ihn winterfest zu machen. 3) Schlechte Verbindung: Prüfen Sie die Verbindung zwischen den Kontaktstiften, die sich an der Ladebasis und den Ladekontakten befindet und dass sich die Ladebasis auf einem perfekt ebenen Boden befindet. 4) Stromversorgung defekt: Bitte wenden Sie sich an den Kundendienst.
Ⓔ 8	Zeitüberschreitungsfehler bei Basissuche.	1) Die Ladebasis ist schlecht positioniert (nicht auf ebenem Boden), der Mission™NANO findet keine Anschlussstifte und stoppt nicht Prüfen Sie die Basis. 2) Der Akku des Mission™NANO ist leer, bevor er die Ladebasis erreicht. Das erweiterte Begrenzungskabel sollte nicht länger als 350 Meter sein.
Ⓔ 9	Wenn bei aktivierter 'Lock-Funktion' der Mission™NANO 3 Tage lang kein Signal von Ihrem WLAN-Router erhält, wird er sicherheitshalber blockiert. Das kann vorkommen, weil Ihr Router seine Stromversorgung verloren hat oder Sie Ihren WLAN-Router oder Internetanbieter gewechselt haben.	Bitte verbinden Sie den Mission™NANO wieder mit dem WLAN, mit dem er ursprünglich gekoppelt wurde. Ist das nicht möglich, wenden Sie sich an den Kundendienst.
Ⓔ 60 Ⓔ 61 Ⓔ 62 Ⓔ 63 Ⓔ 64	Fehler bei Aktualisierung der Modulsoftware.	Bitte überprüfen Sie, dass das Modul korrekt angeschlossen ist. Prüfen Sie, dass die auf den USB-Stick kopierte Datei nicht beschädigt ist. Schalten Sie die Stromversorgung aus und wieder ein und versuchen Sie die Softwareaktualisierung erneut.
Ⓔ 50 Ⓔ 51 Ⓔ 52 Ⓔ 80 Ⓔ 81 Ⓔ 82 Ⓔ 83 Ⓔ 84 Ⓔ f:80	Fehler bei Aktualisierung der Software aufgetreten.	Bitte versuchen Sie das Softwareupdate erneut oder wenden Sie sich an den Kundendienst.

HINWEISE

- Bevor Sie die Stromversorgung einschalten, prüfen Sie stets, dass sich der Mission™NANO innerhalb seines Arbeitsbereichs befindet.
- Falls Sie Ihren Mission™NANO aus bestimmten Gründen (z. B. Party, spielende Kinder und dergleichen) in seiner Ladebasis parken möchten: drücken Sie HOME dann OK. Der Mission™NANO kehrt zu seiner Basis zurück und bleibt dort. Bitte beachten Sie, dass der Mission™NANO nun bis zur nächsten planmäßigen Mäh Sitzung warten wird. Wenn Sie ihn zu einem beliebigen Zeitpunkt neu starten wollen, drücken Sie Start und dann OK, um Ihren Mission™NANO zu starten.
- Falls derselbe Fehler immer wieder an derselben Stelle Ihres Rasens auftreten sollte, gibt es eventuell ein Problem mit dem Begrenzungskabel. Schauen Sie sich daher noch einmal die Installationsanleitung an, überprüfen Sie Ihre Installation mit deren Hilfe.
- Sollte Ihr Rasen in zwei getrennte Bereiche geteilt sein, die durch einen Korridor von weniger als 1 m verbunden ist, wobei ein Teil über keine Ladestation verfügt: Wenn sich der Mission™NANO entladen hat, diesen manuell zur Ladestation zurückbringen, schalten Sie den Strom.
- Wenn der Mission™NANO hin und wieder ungewöhnlich läuft, setzen Sie ihn bitte zurück, indem Sie ihn ausschalten und den Akku für 30 Sekunden entfernen; dann starten Sie ihn neu. Wenn das Problem nicht behoben werden kann, wenden Sie sich für Hilfe an unseren Kundendienst.

Fehlerbehebung bei der Installation

Falls Ihr Mission™NANO nicht richtig arbeiten sollte, schauen Sie sich bitte die nachstehende Anleitung zur Problemlösung an.

Problem	Ursache	Abhilfe
Die LED an der Ladebasis leuchtet nicht auf.	Kein Strom.	Prüfen Sie, ob das Netzkabel ordnungsgemäß an das Ladegerät und dieses an eine passende Stromversorgung angeschlossen ist.
Die rote LED auf der Ladestation leuchtet auf.	Des Begrenzungskabel ist nicht angeschlossen.	Prüfen Sie, dass das Begrenzungskabel ordnungsgemäß an die Ladestation angeschlossen wurde. Prüfen Sie, dass es keine Brüche im Begrenzungskabel gibt, besonders an den Kabelenden.
Ihr Mission™NANO befindet sich innerhalb seines Gebiets und der Begrenzungsdraht ist verbunden. Aber das Display sagt „- E I-“.	Die Begrenzungskabelenden sind falsch angeschlossen.	Vertauschen Sie die Enden des Begrenzungskabels.
Der Mission™NANO kann nicht richtig an die Ladestation andocken.	Umwelteinflüsse.	Starten Sie den Mission™NANO nochmals
	Schlechte Verbindung durch Verschmutzung des Ladestreifens.	Reinigen Sie die Kontakte an der Ladestation und die Kontakte am Mission™NANO.
Der Mission™NANO fährt außerhalb des Begrenzungskabels. Der Mission™NANO mäht einen Bereich außerhalb des Begrenzungskabelbereichs. Der Mission™NANO dreht sporadisch am Begrenzungskabel um bzw. fährt zurück.	Der Begrenzungsdraht eines anderen Mission™NANO oder eines anderen Marken-Rasenroboters ist zu nahe positioniert.	Stellen Sie sicher, dass der Begrenzungsdraht Ihres Mission™NANO mindestens 1m vom benachbarten Begrenzungsdraht entfernt ist.
	Der Begrenzungsdraht wurde mit scharfen Ecken installiert.	Überprüfen Sie den Begrenzungsdraht und stellen Sie sicher, dass die Ecken abgerundet sind.
	Bei feuchten Bedingungen kann das elektrische Signal aus dem Begrenzungskabel austreten, wenn das Kabel verbunden oder repariert wurde.	Überprüfen Sie die Verbindungspunkte des Begrenzungskabels. Isolieren Sie diese, um eine absolut wasserdichte Verbindung zu gewährleisten.
	Aufgrund einer defekten Isolierung kann das elektrische Signal aus dem Begrenzungskabel austreten.	Reparieren Sie die beschädigte Isolierung des Begrenzungsdrahts mithilfe von Verbindungen.
	Der Schneidebereich ist größer als der zulässige Schneidebereich des Mission™NANO.	Verringern Sie den Mähbereich.
Aufgrund der hohen Geschwindigkeit beim Hinunterfahren eines Abhangs schießt der Mission™NANO über den Begrenzungsdraht hinaus.	Der Begrenzungsdraht befindet sich auf einem Gefälle, das 17% (10°) überschreitet.	Verlegen Sie den Begrenzungsdraht entfernt von Steigungen über 17% (10°).

Umweltschutz

 Elektroprodukte dürfen nicht mit dem normalen Haushaltsmüll entsorgt werden, sondern sollten nach Möglichkeit zu einer Recyclingstelle gebracht werden. Bitte erkundigen Sie sich bei der örtlichen Behörde oder beim Vertragshändler über Müllsammlung und -Entsorgung.

Konformitätserklärung

Wir,
Positec Germany GmbH
Postfach 32 02 16, 50796 Cologne, Germany

Erklären im Namen von Positec, dass das Produkt
Beschreibung **Roboter-Rasenmäher**
Typ **KR101E (100-199 - Bezeichnung der Maschine, Repräsentant der Roboter-Rasenmäher)**
(Die Seriennummer finden Sie auf der Rückseite) mit Batterieladegerät KA0200 / KA0201 und Ladestation KA0071
Funktion **Grasschnitt**

Den Bestimmungen der folgenden Richtlinien entspricht:
2006/42/EC, 2014/30/EU, 2014/35/EU, 2011/65/EU&(EU)2015/863, 2000/14/EC geändert durch 2005/88/EC, 2014/53/EU

2000/14/EC geändert durch 2005/88/EC
- Konformitätsbewertungsverfahren nach **Annex V**
- Gemessene Schalleistung **65.5 dB (A)**
- Garantierte Schalleistung **67 dB (A)**

Die benannte Stelle Intertek, Semko AB, NB-No. 0413 hat eine EU-Baumusterprüfung gemäß der 2014/53/EU und folgende EU-Baumusterprüfbescheinigung ausgestellt: SE-RED-2200106

Normen:

Für batteriebetriebenen Roboter-Rasenmäher: EN 50636-2-107:2015+A1:2018+A2:2020 +A3:2021, EN 60335-1:2012+A11:2014+A13:2017+A1:2019+A2:2019+A14:2019+A15:2021, EN IEC 62311:2020, EN IEC 55014-1:2021, EN IEC 55014-2:2021, EN IEC 61000-3-2:2019+A1:2021, EN 61000-3-3:2013+A1:2019+A2:2021
Für induktives Schleifensystem: EN 303 447 V1.1.1
Für Ultraschallmodul: EN 55011:2016+A11:2020
Für Bluetooth & WLAN-Modul (2,4G): EN 301 489-1 V2.2.3, EN 301 489-17 V3.2.4, EN 300 328 V2.2.2
Für Ladegerät: EN IEC 55014-1:2021, EN IEC 55014-2:2021, EN IEC 61000-3-2:2019+A1:2021, EN 61000-3-3:2013+A1:2019+A2:2021, EN IEC 60335-2-29:2021+A1:2021, EN 60335-1:2012+A11:2014+A13:2017+A1:2019+A2:2019+A14:2019+A15:2021, EN 62233:2008
Für Lärm: EN ISO 3744:2005
Für RoHS: EN IEC 63000:2018

Zur Kompilierung der technischen Datei ermächtigte Person,

Name Marcel Filz
Anschrift Positec Germany GmbH Postfach 32 02 16, 50796 Cologne, Germany

2023/09/19
Allen Ding
Stellvertretender Chefsingenieur, Prüfung und Zertifizierung
Positec Technology (China) Co., Ltd.
18, Dongwang Road, Suzhou Industrial
Park, Jiangsu 215123, P. R. China

Les utilisateurs peuvent consulter les instructions électroniques à l'adresse <https://www.kress.com/en/>.

Sécurité du produit

Mises en garde générales et complémentaires



ATTENTION : Lisez toutes les mises en garde et toutes les instructions. Le

non-respect des mises en garde et des instructions peut être à l'origine d'électrocutions, d'incendies et/ou de blessures graves.

Lisez attentivement le manuel d'utilisation afin d'utiliser l'appareil d'une manière sécurisée.

Gardez le mode d'emploi et les mises en garde pour pouvoir vous y référer ultérieurement.

- Cet appareil n'est pas conçu pour être utilisé par des personnes aux capacités physiques, mentales, sensorielles réduites, ou manquant d'expérience et de connaissances (y compris les enfants), sauf si une personne responsable de leur sécurité leur a donné les indications nécessaires ou les surveille pendant l'utilisation.
- Il convient de surveiller les enfants pour s'assurer qu'ils ne jouent pas avec l'appareil.
- Cet appareil contient des batteries qui peuvent être remplacées uniquement par des personnes qualifiées.
AVERTISSEMENT: Pour recharger la batterie, utilisez uniquement l'unité d'alimentation amovible avec cet appareil.

IMPORTANT
LISEZ ATTENTIVEMENT LE MODE D'EMPLOI AVANT D'UTILISER L'APPAREIL
CONSERVEZ-LE POUR RÉFÉRENCE ULTÉRIEURE

Pratiques de travail sûres

Apprentissage

- a) Lisez attentivement le mode d'emploi. Vous devez impérativement comprendre les instructions et vous familiariser avec les contrôles et le mode d'utilisation de l'appareil.
- b) Ne laissez en aucun cas l'appareil à un enfant ou à une personne n'ayant pas pris connaissance du mode d'emploi. Les réglementations locales définissent parfois

des limites d'âge pour l'utilisateur.

- c) L'utilisateur est responsable des accidents et des dommages causés à d'autres personnes ou à leurs biens.

Préparation

- a) Veillez à ce que le câble périphérique soit correctement installé en suivant les instructions.
- b) Inspectez régulièrement la zone où l'appareil doit être utilisé et enlevez toutes les pierres, tous les bâtons, câbles, os et autres objets étrangers.
- c) Procédez régulièrement à un examen visuel des lames, des boulons de lame et de l'unité de coupe pour vous assurer qu'ils ne sont ni usés, ni endommagés. Afin de préserver l'équilibre de la machine, changez toujours les lames et leurs boulons en même temps.
- d) Sur les appareils comportant plusieurs arbres, veuillez noter que la rotation d'une lame peut entraîner la rotation des autres lames.
- e) ATTENTION: Ne faites jamais fonctionner l'appareil si l'une de ses protections est défectueuse ou si l'un de ses dispositifs de sécurité n'est pas en place.

Utilisation

1. Généralités

- a) Ne faites jamais fonctionner l'appareil si l'une de ses protections est défectueuse ou si l'un de ses dispositifs de sécurité n'est pas en place (ex: les déflecteurs).
- b) N'approchez jamais les mains ou les pieds des parties rotatives, et ne les mettez jamais sous l'appareil. Ne vous mettez jamais en travers de l'ouverture d'évacuation.
- c) Ne soulevez jamais et ne portez jamais une tondeuse dont le moteur est en marche.
- d) Actionnez le dispositif de désactivation de l'appareil:
 - Avant de le débloquer;
 - Avant d'inspecter, de nettoyer ou de travailler sur l'appareil;
 - Après avoir heurté un objet, inspectez la machine à la recherche de dommages;
 - Si la machine commence à vibrer de façon anormale, et pour vérifier les dommages avant de la redémarrer.
- e) Il n'est pas permis de modifier le design d'origine du robot tondeuse. Toute modification effectuée est à vos risques et périls.
- f) Démarrer la tondeuse à gazon robotique conformément aux instructions. Lorsque

l'appareil est sous tension, n'approchez pas vos mains et vos pieds des lames en rotation. Ne jamais mettre vos mains ou pieds sous la tondeuse.

- g) Ne soulevez jamais la tondeuse à gazon robotisée et ne la transportez jamais lorsque l'appareil est sous tension.
- h) Ne laissez en aucun cas la tondeuse à une personne non familiarisée avec l'appareil et son mode d'utilisation.
- i) Ne posez jamais des objets sur le robot ou sur le socle de recharge.
- j) Ne faites jamais fonctionner le robot si le boîtier ou l'une des lames sont endommagés. L'appareil ne doit pas être utilisé si les lames, les vis, les écrous ou les câbles sont endommagés.
- k) Toujours éteindre la tondeuse à gazon robotique lorsque vous n'avez pas l'intention de l'utiliser. La tondeuse à gazon robotisée ne peut démarrer que lorsque l'appareil est sous tension et que le code PIN a été correctement saisi.
- l) Maintenez vos mains et pieds éloignés des lames rotatives. Ne placez jamais vos mains ou pieds à proximité ou sous le corps lorsque la tondeuse automatique est en marche.
- m) Éviter d'utiliser la machine et ses périphériques dans de mauvaises conditions météorologiques, en particulier, lorsqu'il existe un risque d'éclair.
- n) Ne pas toucher de pièces mobiles dangereuses avant que celles-ci ne s'arrêtent complètement.
- o) Pour les machines utilisées dans des zones publiques, des panneaux d'avertissement doivent être placés autour de la zone de travail de la machine. Le contenu du texte ci-dessus doit être compris:
Alerte! Tondeuse automatique! Tenir à l'écart de la machine! Attention aux enfants!

2. Mise en garde complémentaire en cas de fonctionnement automatique

- a) Ne laissez pas la machine fonctionner sans surveillance si vous savez que des personnes (notamment des enfants) ou des animaux domestiques se trouvent à proximité.

Entretien et rangement



AVERTISSEMENT! Lorsque la tondeuse est retournée, l'alimentation doit toujours être coupée. L'alimentation doit être coupée pour tous

les travaux effectués sous la tondeuse, tels que le nettoyage ou le remplacement des lames.

- a) Veillez à ce que tous les écrous, vis et boulons soient bien serrés, afin de vous assurer que l'appareil reste en bon état de marche.
- b) Inspectez le robot tondeuse régulièrement et, par sécurité, remplacez toute pièce usée ou endommagée.
- c) Assurez-vous que les lames et le disque de coupe ne sont pas endommagés. Afin d'assurer l'équilibre des pièces rotatives, changez toujours les lames et les vis en même temps.
- d) Les accessoires de coupe de rechange doivent impérativement être du même type que ceux d'origine.
- e) Rechargez toujours la batterie avec le chargeur fourni par le fabricant. Toute utilisation incorrecte peut être à l'origine d'un choc électrique, d'une surchauffe ou d'une fuite du liquide corrosif de la batterie.
- f) En cas de fuite d'électrolyte et de contact avec les yeux, rincez abondamment avec de l'eau ou un agent neutralisant et appelez les urgences.
- g) Toute réparation sur l'appareil doit s'effectuer d'une manière conforme aux instructions du fabricant.

35

Fr

Recommandation

Connecter uniquement la machine et/ou ses périphériques à un circuit d'alimentation protégé par un dispositif de courant résiduel (RCD) avec un courant de déclenchement ne dépassant pas 30 mA.

Risques résiduels

Pour éviter les blessures, porter des gants de protection lors du remplacement des lames.

Déplacer l'appareil

Utilisez l'emballage d'origine pour transporter le robot sur de longues distances.

Pour déplacer l'appareil de ou vers la zone de travail en toute sécurité:

- a) Appuyez sur le bouton STOP pour arrêter la tondeuse. Vous choisissez un code PIN à quatre chiffres lorsque vous démarrez la tondeuse pour la première fois.
- b) Toujours éteindre la tondeuse à gazon robotique si lorsque vous avez l'intention de la porter.
- c) Portez la tondeuse en la tenant par la

poignée située à l'arrière, en dessous. Tenez la tondeuse avec le disque de coupe du côté opposé à vous.

Exigences d'exposition FR

Pour satisfaire aux exigences d'exposition aux radiofréquences, une distance de séparation de 200 mm ou plus doit être respectée entre cet appareil et des personnes pendant le fonctionnement de l'appareil.

Pour assurer la conformité, les opérations à une distance inférieure à cette distance ne sont pas recommandées. L'antenne utilisée pour cet émetteur ne doit pas être co-localisée avec une autre antenne ou un autre émetteur.

Il s'agit d'un appareil de classe III et il ne doit être alimenté qu'à une très basse tension de sécurité correspondant au marquage de l'appareil.

Avertissements de sécurité pour la batterie à l'intérieur de l'appareil

- a) **La batterie et les piles secondaires ne doivent pas être ouvertes, démontées ou broyées.**
- b) **La batterie ne doit pas être court-circuitée. Évitez de mettre la batterie en vrac dans une boîte ou dans un tiroir où elles risqueraient de se court-circuiter entre elles ou au contact d'autres objets métalliques.** Après usage, évitez tout contact de la batterie avec d'autres objets métalliques de petite taille (trombones, pièces, clés, clous, vis etc.) susceptibles de court-circuiter les pôles. Un court-circuit entre les pôles de la batterie peut être à l'origine de brûlures ou d'un incendie.
- c) **La batterie ne doit pas être exposée au feu et à la chaleur. Évitez de la ranger à la lumière du soleil.**
- d) **La batterie et les piles ne doivent pas être soumises à des chocs mécaniques.**
- e) **En cas de fuite des piles, évitez tout contact du liquide avec la peau et les yeux. En cas de contact, rincez abondamment la surface touchée avec de l'eau et appelez les urgences.**
- f) **La batterie et les piles doivent rester propres et sèches.**
- g) **N'utilisez pas d'autre chargeur que celui spécifié par Kress. N'utilisez pas d'autre chargeur que celui spécifiquement fourni avec l'appareil.**
- h) **N'utilisez en aucun cas une batterie autre que celle prévue pour cet appareil.**

- i) **La batterie doit être tenue hors de portée des enfants.**
- j) **Gardez la documentation d'origine du produit afin de pouvoir vous y référer ultérieurement.**
- k) **Respectez les procédures de mise au rebut.**
- l) **Ne mélangez pas des cellules de différente fabrication, capacité, taille ou type dans un même appareil.**
- m) **Eloignez la batterie des zones sujettes à micro-ondes et hautes pressions.**
- n) **Avertissement ! N'utilisez pas de batteries non rechargeables.**

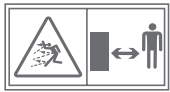
Conditions du manuel d'utilisation pour les outils sans fil

- a) Le fonctionnement de ce type d'appareil est soumis aux deux conditions suivantes:
 - (1) Cet appareil ne doit pas provoquer d'interférences préjudiciables, et
 - (2) Il doit accepter toute interférence reçue, y compris les interférences pouvant entraîner un mauvais fonctionnement.
- b) Attention: Les changements et modifications apportés à cet appareil et non expressément autorisés par la partie responsable de la compatibilité peuvent annuler le droit de l'utilisateur à faire fonctionner l'équipement.
- c) REMARQUE: Cet équipement génère, utilise et peut dégager de l'énergie de radiofréquence et, s'il n'est pas installé et utilisé conformément aux instructions du fabricant, peut provoquer des interférences préjudiciables aux communications radio. Il n'existe toutefois aucune garantie que des interférences ne se produiront pas dans une installation particulière. Si cet équipement entraîne des interférences préjudiciables à la réception des émissions radio ou de télévision, pouvant être identifiées en mettant l'équipement hors tension puis sous tension, il est recommandé que l'utilisateur tente de résoudre ce problème au moyen d'une ou plusieurs des mesures suivantes:
 - En orientant différemment l'antenne réceptrice ou en la changeant de place.
 - En augmentant la distance séparant l'équipement du récepteur.
 - En connectant l'équipement à une prise sur un circuit différent de celui sur lequel est branché le récepteur.
 - En obtenant de l'aide auprès du revendeur ou d'un technicien radio/TV expérimenté.

Symboles



AVERTISSEMENT – ce robot tondeuse peut être dangereux s'il est utilisé de manière incorrecte. Avant d'utiliser le robot tondeuse pour la première fois, vous devez avoir lu et compris le contenu dans son intégralité.



AVERTISSEMENT - Restez à distance de la machine pendant qu'elle fonctionne.



AVERTISSEMENT – Éteignez la machine avant de la manipuler ou de la soulever.



AVERTISSEMENT – Éteignez la machine avant de la manipuler ou de la soulever.



Appareil de classe III



Les déchets d'équipements électriques et électroniques ne doivent pas être déposés avec les ordures ménagères. Ils doivent être collectés pour être recyclés dans des centres spécialisés. Consultez les autorités locales ou votre revendeur pour obtenir des renseignements sur l'organisation de la collecte.



Li-Ion



Batterie Li-Ion. Le symbole « collecte sélective » est indiqué sur le produit et concerne toutes les batteries. Les batteries seront recyclées ou éliminées afin de réduire leur impact sur l'environnement. Les batteries sont dangereuses pour l'environnement et pour la santé humaine car elles contiennent des substances dangereuses.

37

Fr



Ne pas jeter au feu



Les batteries peuvent entrer dans le cycle de l'eau si elles sont jetées de manière inappropriée, ce qui est dangereux pour l'écosystème. Ne jetez pas les batteries utilisées avec les déchets ménagers non triés.



Ne lavez pas la machine avec un nettoyeur à haute pression.

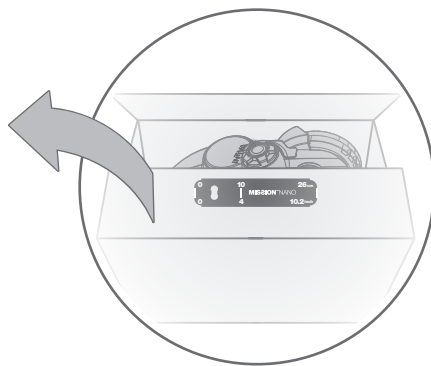
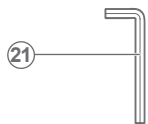
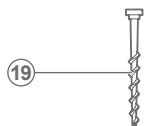
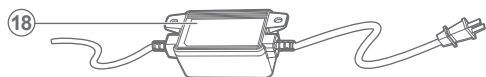
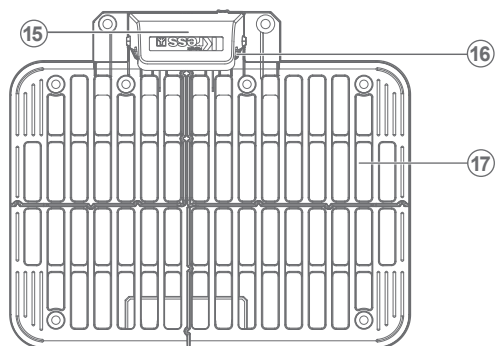
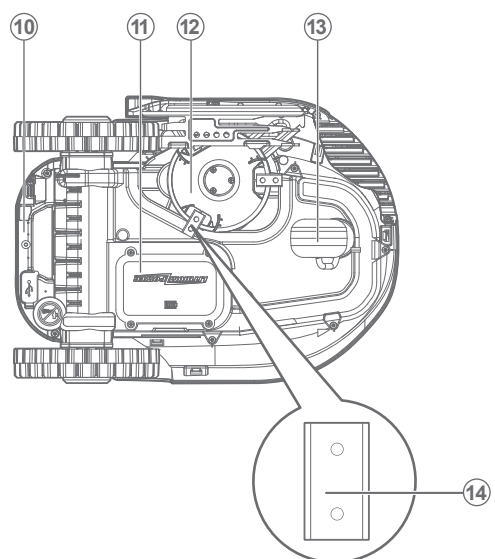
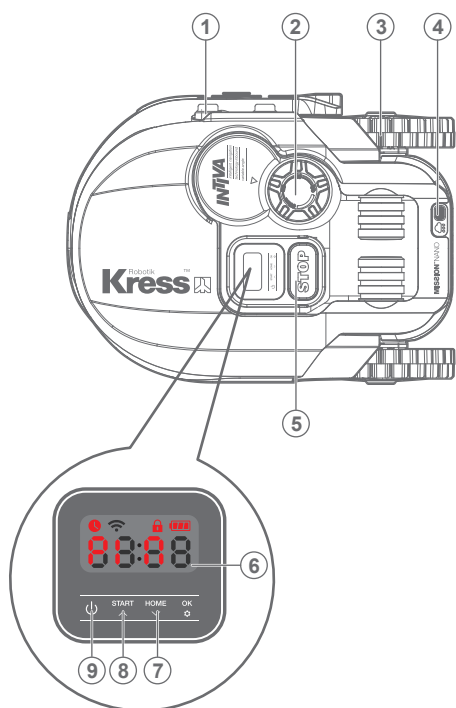


Lire le manuel de l'opérateur



Unité d'alimentation amovible

Liste des composants



- | | |
|---|--|
| 1. Bande de charge | 12. Disque de coupe rotatif |
| 2. Bouton de réglage de la hauteur de coupe | 13. Roue Avant |
| 3. Roue motrice arrière | 14. Lames de coupe |
| 4. Capteur pluviométrique | 15. Capot De Protection |
| 5. Bouton STOP | 16. Broches de contact |
| 6. Écran | 17. Socle de chargement |
| 7. Bouton Accueil | 18. Adaptateur d'alimentation |
| 8. Touche START (démarrer) | 19. Clous de fixation de la base de charge |
| 9. Touche ON/OFF (marche/arrêt) | 20. Jauge de distance du fil-barrière |
| 10. Poignée | 21. Clef allen |
| 11. Batterie | |

Caractéristiques techniques

Modèle **KR101E (100-199 - désignations des pièces, illustration de la Robot de fauchage à pelouse)**

Tension nominale	20 V \equiv Max.*
Vitesse à vide	2800 /min
Zone de coupe	600 m ²
Diamètre de coupe	18 cm
Hauteur de coupe	30-60 mm
Positions de hauteur de coupe	4
Type de batterie	Lithium
Modèle de batterie	KA3022
Durée de charge environ.	105 min
Modèle de chargeur	KA0200 / KA0201
Valeurs nominales du chargeur	Entrée: 100-240 V~50/60 Hz, 38 W, Sortie: 20 V, 1.5 A
Poids de la machine	8.95 kg
Classe de protection	III
Application	Y
Pente maximale sur la surface de tonte	35%
Bandes de fréquences pour Bluetooth (MHz)	2400-2483.5 MHz
Puissance d'émission maximale pour Bluetooth (dBm)	8 dBm
Bandes de fréquences pour le Wi-Fi (MHz)	2400-2483.5 MHz
Puissance maximale transmise pour Wi-Fi (dBm)	20 dBm
Ande de fréquence des systèmes à boucle d'induction magnétique	77 Hz
Puissance radiofréquence maximale des systèmes à boucle d'induction magnétique	82 dB μ A/m

* La tension est mesurée à vide. La tension initiale de la batterie atteint un maximum de 20 volts. La tension nominale est de 18 volts.

Informations relatives au bruit

Niveau de pression acoustique	$L_{pA} = 45.5 \text{ dB (A)}, K_{pA} = 0.6 \text{ dB(A)}$
Niveau de puissance acoustique	$L_{wA} = 65.5 \text{ dB (A)}, K_{wA} = 0.6 \text{ dB(A)}$
Porter des protections auditives lorsque la pression sonore est supérieure à	80 dB(A) 

Un certain niveau de bruit de la machine est inévitable. Le travail bruyant sur des routes doit être autorisé et limité à certaines périodes. Les périodes de repos doivent être préservées et les heures de travail peuvent être restreintes à un minimum. Pour sa propre protection et la protection des personnes travaillant dans les environs, le personnel doit porter une protection auditive appropriée.

Accessoires

Vis	9
Socle de recharge	1
Clous de fixation de la base de chargement	8
Clef Allen	1
40 Jauges de distance de câbles périphériques	2
Fr Lames	9
Batterie (KA3022)	1
Chargeur (KA0200 / KA0201)	1

Nous recommandons d'acheter tous les accessoires dans le magasin d'acquisition de la machine. Pour plus d'informations, se référer à l'emballage des accessoires. Le personnel du magasin est également là pour vous conseiller.

Utilisation conforme

Ce produit est destiné à la tonte de pelouses de particuliers. Il est conçu pour tondre fréquemment la pelouse de manière à la garder plus belle et plus saine que jamais auparavant. Selon la taille de votre pelouse, le Mission™NANO peut être programmé de manière à travailler à n'importe quel moment et avec n'importe quelle fréquence. Il n'est pas destiné à creuser, balayer ou nettoyer la neige.

Entretien

Le Mission™NANO doit faire l'objet d'un examen périodique. Le Mission™NANO travaille dur, c'est pourquoi vous devez régulièrement le nettoyer en profondeur et changer les pièces usées. N'utilisez jamais le Mission™NANO quand le bouton marche/arrêt est endommagé.

Éteignez la machine avant d'effectuer tout entretien ou maintenance que ce soit.

Dans cette section, nous vous expliquerons comment prendre soin de votre nouveau Mission™NANO de manière à ce qu'il s'adapte parfaitement à sa nouvelle demeure.

1

Affûtage

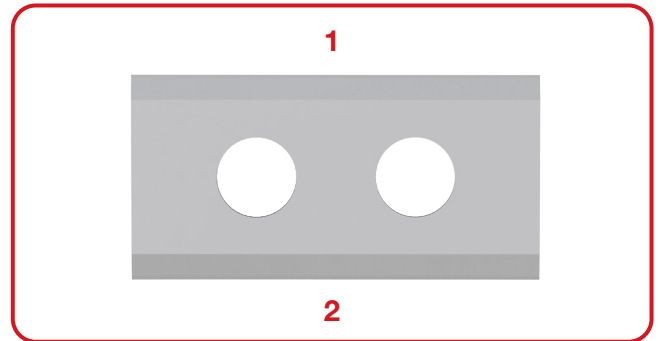


AVERTISSEMENT: Avant d'effectuer toute manipulation de nettoyage, de réglage ou de changement des lames, éteignez le Mission™NANO et mettez des gants de protection.



AVERTISSEMENT: Pour le remplacement des lames, assurez-vous de remplacer TOUTES les lames à la fois. Utilisez toujours des vis neuves lors du montage des lames. Il est important d'assurer la rétention de la lame et l'équilibre du disque de rotation de la lame. Le fait de ne pas utiliser de vis neuves pourrait entraîner des blessures graves.

Le Mission™NANO. ne coupe pas l'herbe de la même manière que les autres tondeuses. Ses lames sont tranchantes comme des rasoirs sur leurs 4 bords et tournent dans les deux sens pour une efficacité de coupe maximale. Chaque lame de votre Mission™NANO. a 4 bords coupants. Le disque de coupe tourne vers l'avant et dans le sens contraire au hasard pour utiliser les 4 bords tranchants. Ceci contribue à minimiser la fréquence de remplacement de la lame de coupe. Et avec le nouveau matériel, la durée de vie de chaque lame de coupe sera 3 fois plus longue que celle des autres marques lorsqu'elle est programmée pour tondre tous les jours.. Vérifiez chaque fois si les lames sont ébréchées ou endommagées et changez-les le cas échéant. Lorsque les lames sont usées et ne coupent plus bien, elles doivent être remplacées par les lames de rechange fourni avec votre Mission™NANO.. Des lames de rechange sont également disponibles chez votre détaillant Kress le plus proche.



A. Changement des lames

Les lames de votre Mission™NANO doivent généralement être inversées chaque mois et remplacées tous les 2 mois. C'est pourquoi il est indispensable de toujours changer toutes les lames en même temps. Vous pouvez utiliser l'un des kits de rechange fournis avec le Mission™NANO, avec les vis de montage correspondantes.

Avant de changer les lames, coupez le moteur et mettez des gants de protection. Puis procédez de la manière suivante:

1. Retournez délicatement le Mission™NANO.
2. Retirez le couvercle de la batterie et la batterie.
3. Dévissez les vis des lames avec un tournevis.
4. Puis fixez solidement les lames neuves.
5. Remontez la batterie et son couvercle.

Important: Après avoir vissé les lames sur le disque, assurez-vous qu'elles peuvent tourner librement.



2

Nettoyage



AVERTISSEMENT: Avant de le nettoyer, éteignez votre Mission™NANO. Mettez des gants de protection avant de nettoyer le disque de coupe, et ne le lavez pas sous le robinet.

A. Nettoyage du boîtier

Votre Mission™NANO fonctionnera mieux et plus longtemps s'il est nettoyé régulièrement. Toutefois, comme votre Mission™NANO est une machine électrique, vous devez faire attention lors du nettoyage, **de NE PAS UTILISER un tuyau, des nettoyeurs à haute pression ou autre pour faire couler de l'eau sur votre Mission™NANO** ; il est préférable d'utiliser un vaporisateur rempli d'eau. Pour nettoyer le boîtier en plastique moulé, utilisez un chiffon ou une brosse à poils mous et évitez les solvants et les produits de cirage. Enfin, n'oubliez pas d'enlever tous les dépôts d'herbe et autres détrit.



B. Nettoyage de la partie inférieure

Une fois encore, vous devez impérativement éteindre le Mission™NANO avec le bouton marche/arrêt et **mettre des gants de protection avant de toucher le disque de coupe**.

Retournez tout d'abord votre Mission™NANO à l'envers pour en exposer sa face inférieure. Repérez le disque de coupe, le boîtier du moteur ainsi que les roues avant et les roues motrices. Nettoyez soigneusement toutes ces pièces avec un chiffon mouillé ou une brosse à poils mous.

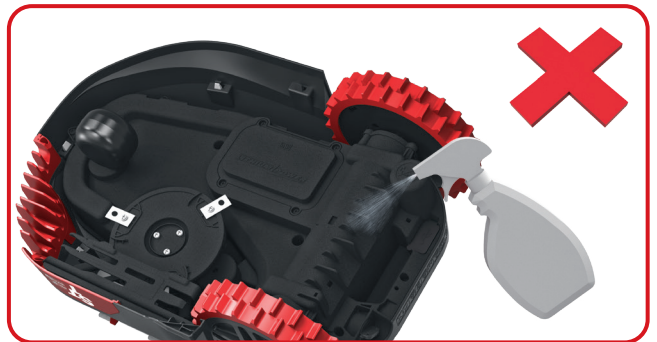
42

Fr

AVERTISSEMENT: NE JAMAIS nettoyer le dessous de Mission™NANO au jet d'eau.

Des composants pourraient s'endommager. Faites tourner le disque de coupe pour vous assurer qu'il tourne librement. Vérifiez que les lames tournent librement autour des vis de fixation. Retirez tout obstacle.

IMPORTANT: Enlevez tous les débris accumulés susceptibles de fissurer le disque de coupe. Même la fissure la plus microscopique peut influencer le fonctionnement du Mission™NANO de manière importante.



C. Nettoyez les broches de contact et les bandes

Nettoyer la broche de contact située sur la base de chargement et la bande de chargement situé sur le Mission™NANO à l'aide d'un chiffon. Enlevez toute accumulation de débris d'herbe et de débris autour des broches de contact et des bandes de chargement de temps en temps pour vous assurer que le Mission™NANO se charge correctement à chaque fois.

3

Durée de vie de la batterie

Le cœur du Mission™NANO est une Pile de Lithium de 20V. Pour un entreposage adéquat de la batterie, assurez-vous qu'elle soit complètement chargée et conservée dans un endroit frais et sec entre (20°C ± 5°C).

REMARQUE: La plage de température de fonctionnement pour Mission™NANO va de 0°C à 45°C.

La durée de vie de la batterie du Mission™NANO dépend de plusieurs facteurs:

- La durée de la saison de tonte dans votre région
- Le nombre d'heures que le Mission™NANO travaille chaque jour
- L'entretien de la batterie pendant le rangement

Le Mission™NANO peut être chargé manuellement sans le câble périphérique.

1. Connectez la base de charge à une source d'alimentation appropriée. Le voyant vert de la station de chargement s'allumera.
2. Placez manuellement la Mission™NANO dans la base de charge alors que la Mission™NANO est éteinte.
3. L'indicateur lumineux vert clignote sur la base de charge, Mission™NANO commencera à se charger.



4

Hibernation

Votre Mission™NANO fonctionnera mieux et plus longtemps si vous le laissez reposer pendant l'hiver. Bien que le Mission™NANO soit un appareil très solide, nous vous recommandons néanmoins de le ranger dans une remise ou dans un garage pendant l'hiver.

Avant de ranger le Mission™NANO pour l'hiver, n'oubliez pas:

- de le nettoyer soigneusement
- de recharger complètement la batterie
- de l'éteindre

Pour maximiser la vie de la batterie, il est recommandé de la charger complètement avant de l'entreposer pour l'hiver.

⚠ AVERTISSEMENT: Protéger le dessous de Mission™NANO de l'eau. NE JAMAIS ranger Mission™NANO à l'envers à l'extérieur.

Le fil-barrière peut être laissé par terre, mais il est préférable de protéger les extrémités, par exemple en les mettant dans une boîte de conserve remplie de graisse. Si vous choisissez de laisser le socle de recharge à l'extérieur pendant l'hiver, laissez le fil-barrière relié au socle.

REMARQUE: Lorsque vous redémarrez le Mission™NANO après le repos hivernal, nettoyez soigneusement les bornes de recharge et les broches de contact en utilisant de préférence une toile émeri fine. Lors de l'utilisation de l'application, s'assurer que la date et l'heure sont correctes et renvoyer Mission™NANO faire ce pour quoi qu'il a été conçu : tondre.

5

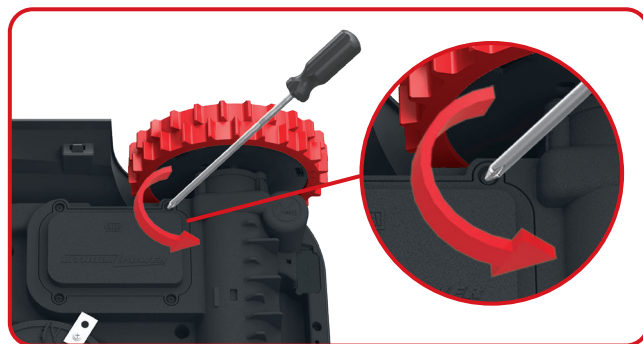
Changement de la batterie

⚠ AVERTISSEMENT: Mettez le bouton marche/arrêt avant d'effectuer toute manipulation de réglage, de changement ou de réparation.

Avant de changement des lames, éteignez le Mission™NANO et mettez des gants de protection.

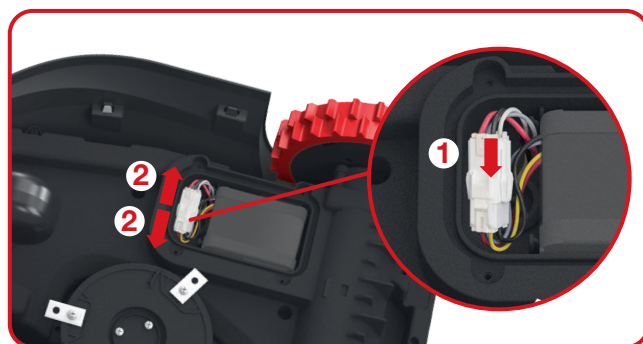
Si vous devez changer la batterie, procédez de la manière suivante.

1. Retournez délicatement le Mission™NANO.
2. Enlevez les vis de fixation de la batterie. Retirez le carter de la batterie.

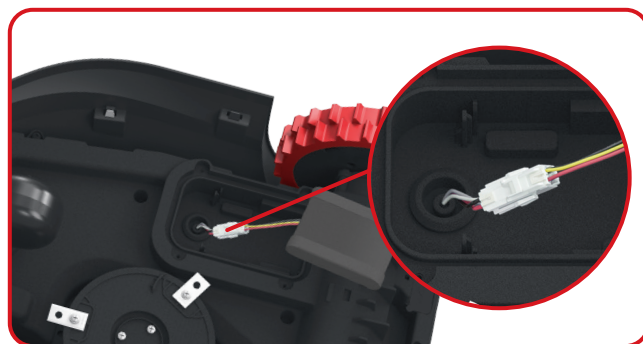
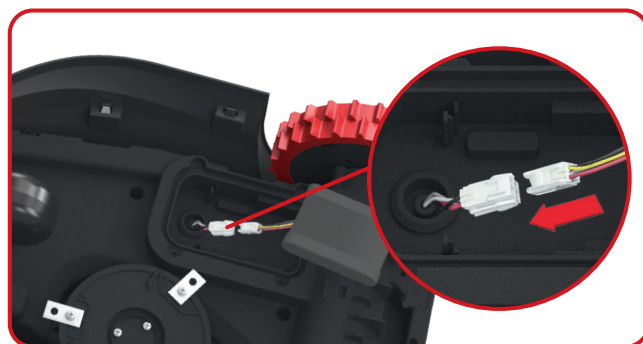


3. Sortez l'ancienne batterie en faisant attention. Appuyez sur l'enclenchement et libérez les connecteurs.

REMARQUE: Ne tirez pas sur les câbles. Tenez les connecteurs et sortez l'élément de blocage.



4. Connectez la nouvelle batterie originale en reliant les connecteurs ensemble jusqu'à ce qu'ils soient en position.



5. Installez la batterie tel qu'indiqué. Remplacez le carter dans sa position et vissez fermement les vis.



Messages d'erreur

Parfois, les choses peuvent mal tourner. Heureusement, le Mission™NANO est assez intelligent pour vous dire s'il rencontre un problème afin que vous puissiez le réparer. En cas de doute, veuillez visiter notre site Web où vous trouverez des vidéos utiles et une assistance supplémentaire.

MESSAGE	CAUSE	ACTION
E E	Erreur inconnue	Veuillez contacter le Service client.
F 1	Temps d'attente après pluie	Votre Mission™NANO redémarrera après la pluie et l'écoulement du temps d'attente.
E 1	Cable périphérique manquant ou Mission™NANO en dehors du câble.	<ol style="list-style-type: none"> 1. Si le Mission™NANO se trouve réellement en dehors de son périmètre de travail: éteignez-le, ramenez-le à l'intérieur de son périmètre de travail. Tournez le bouton marche/arrêt sur On. Appuyez sur START. 2. Si le Mission™NANO est à l'intérieur de son périmètre de travail, vérifiez si le témoin LED sur le socle de recharge s'allume en vert. Si ce n'est pas le cas, vérifiez que le socle de recharge est correctement connecté au chargeur et que le chargeur est connecté à une alimentation électrique appropriée. S'ils sont correctement connectés, cela signifie que les extrémités du câble périphérique sont mal fixées et doivent être inversées. 3. Inversez les extrémités du câble périphérique.
E 2	Roues bloquées	<p>Eteignez le Mission™NANO et transportez-le vers une zone exempte d'obstacles.</p> <p>Tournez le bouton marche/arrêt sur On. Appuyez sur START.</p> <p>Si le message d'erreur s'affiche toujours, tournez le bouton marche/arrêt sur Off. Retournez le Mission™NANO et vérifiez si la rotation des roues est bloquée par un objet.</p> <p>Enlevez l'objet à l'origine du blocage, remettez le Mission™NANO d'aplomb et rallumez-le.</p>
E 3	Disque de coupe bloqué	<p>Tournez le bouton marche/arrêt sur Off.</p> <p>Retournez le Mission™NANO, enfillez des gants de sécurité pour éviter des blessures et vérifiez s'il y a un objet qui empêche le disque de coupe de tourner.</p> <p>Enlevez toutes les obstructions.</p> <p>Redressez le Mission™NANO et emmenez-le vers une zone où l'herbe est courte ou ajustez la hauteur de coupe;</p> <p>Tournez le bouton marche/arrêt sur On. Appuyez sur START.</p>
E 4	Erreur piégée.	<p>Tournez le bouton marche/arrêt sur Off.</p> <p>Placez le Mission™NANO dans un endroit de la pelouse sans obstacles, puis allumez-le. Appuyez sur START.</p> <p>Si le message d'erreur s'affiche toujours: tournez le bouton marche/arrêt sur Off, puis retournez le Mission™NANO. Vérifiez qu'il n'y a pas d'obstacles pouvant empêcher les roues de tourner.</p> <p>Enlevez l'objet à l'origine du blocage, remettez le Mission™NANO d'aplomb et rallumez-le.</p>
E 5	Erreur levée.	<p>Tournez le bouton marche/arrêt sur Off.</p> <p>Placez le Mission™NANO dans un endroit sans obstacles, puis allumez-le. Appuyez sur START.</p> <p>Si le message d'erreur s'affiche toujours: tournez le bouton marche/arrêt sur Off, puis retournez le Mission™NANO et vérifiez qu'il n'y a aucun objet qui peut causer le soulèvement du Mission™NANO.</p> <p>Enlevez l'éventuel objet, remettez le Mission™NANO d'aplomb et rallumez-le.</p>
E 6	Erreur à l'envers (incliné).	Redressez le Mission™NANO.

E7	Erreur de charge de la batterie.	<p>1) La température est trop élevée (plus de 55 °C) lors de la recharge. Placez le socle de recharge dans une zone ombragée ou attendez que la température baisse.</p> <p>2) La température de la batterie est trop faible. La température extérieure ne permet pas à votre Mission™NANO de fonctionner. Il est temps de le mettre au repos pour l'hiver.</p> <p>3) Mauvaise connexion: vérifiez la connexion entre les broches de contact situées sur le socle de recharge et la borne de recharge et assurez-vous que le socle de recharge est sur une surface parfaitement plane.</p> <p>4) L'alimentation électrique est rompue: Veuillez contacter le Service client.</p>
E8	Erreur de recherche du délai d'attente de la maison.	<p>1) Le socle de recharge est mal placé (pas sur une surface plane), le Mission™NANO ne trouve pas les broches et ne s'arrête pas. Vérifiez le socle.</p> <p>2) La batterie du Mission™NANO est épuisée avant d'atteindre le socle de recharge. Le câble périphérique ne doit pas excéder 350 mètres.</p>
E9	Avec l'option 'Lock Function' activée, si votre Mission™NANO ne reçoit pas de signal de votre routeur Wi-Fi pendant 3 jours, il est alors bloqué par mesure de sécurité. Ceci est peut-être dû au fait que votre routeur a perdu en puissance ou que vous avez changé votre routeur Wi-Fi ou opérateur réseau.	<p>Veuillez reconnecter le Mission™NANO au réseau Wi-Fi auquel il était originellement associé.</p> <p>Si c'est impossible, contactez le Service client.</p>
E4:60 E4:61 E4:62 E4:63 E4:64	Une erreur de mise à jour du logiciel de module est survenue.	<p>Veuillez vérifier que le module est correctement connecté. Vérifiez que le fichier copié dans la clé USB n'est pas endommagé.</p> <p>Tournez le bouton marche/arrêt sur Off et essayez à nouveau de mettre à jour le logiciel.</p>
E4:50 E4:51 E4:52 E4:80 E4:81 E4:82 E4:83 E4:84 E4:80	Une erreur de mise à jour du logiciel est survenue.	<p>Essayez à nouveau de mettre à jour le logiciel ou contactez le Service client.</p>

REMARQUES

- Avant de l'allumer, vérifiez toujours que le Mission™NANO se trouve dans son périmètre de travail.
- Si pour une raison quelconque — par ex. une fête, des enfants qui jouent... — vous souhaitez ranger dans son socle de recharge: appuyez sur Home, puis sur OK. Le Mission™NANO retournera sur son socle et y restera. Notez que le Mission™NANO attendra alors jusqu'à la session de tonte suivante dans le programme. Si vous souhaitez le redémarrer à n'importe quel moment, appuyez sur START, puis sur OK pour démarrer le Mission™NANO.
- Si une erreur se répète toujours au même endroit de la pelouse, cela peut être le signe d'un problème dans l'installation du câble périphérique ; vérifiez le montage du câble en vous référant aux instructions d'installation.
- Si votre pelouse est divisée en deux zones séparées, reliées par un couloir de moins de 1m, dont l'une ne comporte pas de base de recharge : lorsque le Mission™NANO est à court de charge, amenez-le manuellement sur le socle de charge.
- Si le Mission™NANO fonctionne anormalement de temps en temps, essayez de le réinitialiser en l'éteignant et en retirant la batterie pendant 30 secondes, puis redémarrez. Si le problème n'est pas résolu, veuillez contacter notre Service client.

Résolution des problèmes d'installation

Si votre Mission™NANO ne fonctionne pas correctement, consultez le guide de dépannage ci-dessous. Si le défaut persiste, contactez le magasin d'achat.

Symptôme	Cause	Action
La LED du socle de recharge ne s'allume pas.	Pas d'alimentation.	Vérifiez que le cordon d'alimentation est correctement relié au chargeur et que le chargeur est branché à une alimentation appropriée.
L'indicateur lumineux rouge de charge s'allumera.	Le fil-barrière n'est pas connecté.	Vérifiez que le câble périphérique a été correctement branché à la station de charge. Vérifiez que le câble périphérique n'est pas cassé, notamment aux extrémités du câble.
Mission™NANO est dans son périmètre et le câble périphérique est connecté. Mais l'écran affiche « - E ! - » .	Les extrémités du câble périphérique ne sont pas fixées correctement.	Inversez les extrémités du câble périphérique.
Mission™NANO ne peut pas s'enclencher correctement dans la base de charge.	Influences environnementales.	Redémarrez la Mission™NANO.
	Mauvais contact dû à la saillie de la borne de recharge.	Nettoyez les broches de contact du socle et les bornes de recharge de la machine à l'aide d'un chiffon.
Le Mission™NANO fonctionne en dehors du câble périphérique. Le Mission™NANO ne tond pas de zone dans une zone de câble périphérique. Le Mission™NANO se retourne ou tourne de façon erratique près du câble périphérique.	Le câble périphérique d'une autre Mission™NANO ou une tondeuse robotique d'une autre marque est trop proche.	Assurez-vous que le câble périphérique de la Mission™NANO est espacé d'au moins 1m du câble périphérique voisin.
	Le câble périphérique a été installé avec des angles droits.	Vérifiez que le câble périphérique a été installé avec des coins arrondis.
	Dans des conditions d'humidité, le signal électrique du câble périphérique peut fuir de l'union ou de la réparation du câble.	Vérifiez les joints du câble périphérique. Isolez-les pour offrir un raccord complètement étanche.
	Il existe une fuite du signal électrique du câble périphérique due à une rupture de l'isolation.	Réparez l'isolation du câble périphérique avec des connecteurs.
	La zone de coupe est plus grande que la zone de coupe admissible pour le Mission™NANO.	Réduire la zone de tonte.
Le Mission™NANO quitte le câble périphérique en descendant une colline en raison de vitesses élevées.	Le câble périphérique est placé sur une pente plus abrupte que 17% (10°).	Repositionnez le câble périphérique loin des pentes ayant une déclivité de plus de 17% (10°).

Protection de l'environnement

 Les déchets d'équipements électriques et électroniques ne doivent pas être déposés avec les ordures ménagères. Ils doivent être collectés pour être recyclés dans des centres spécialisés. Consultez les autorités locales ou votre revendeur pour obtenir des renseignements sur l'organisation de la collecte.

Déclaration de conformité

Nous,
Positec Germany GmbH
Postfach 32 02 16, 50796 Cologne, Germany

Positec déclare que le produit,
Description **Robot de fauchage à pelouse**
Modèle **KR101E (100-199 - désignations des pièces, illustration de la Robot de fauchage à pelouse) (Le numéro de série est placé sur la dernière page) avec chargeur de batterie KA0200 / KA0201 et station de recharge KA0071**
Fonction **Tondeuse à gazon**

Est conforme aux directives suivantes,
2006/42/EC, 2014/30/EU, 2014/35/EU, 2011/65/EU&(EU)2015/863, 2000/14/EC amendée par 2005/88/EC, 2014/53/EU

2000/14/EC amendée par 2005/88/EC

- Procédure d'évaluation de la conformité conformément à **Annex V**
- Niveau de pression acoustique **65.5 dB (A)**
- Niveau d'intensité acoustique **67 dB (A)**

48
Fr

L'organisme notifié Intertek, Semko AB, NB-No. 0413 a effectué un examen UE de type selon la Directive 2014/53/UE et a délivré l'attestation d'examen UE de type suivante : SE-RED-2200106

Et conforme aux normes,

Pour tondeuse à gazon: EN 50636-2-107:2015+A1:2018+A2:2020+A3:2021, EN 60335-1:2012+A11:2014+A13:2017+A1:2019+A2:2019+A14:2019+A15:2021, EN IEC 62311:2020, EN IEC 55014-1:2021, EN IEC 55014-2:2021, EN IEC 61000-3-2:2019+A1:2021, EN 61000-3-3:2013+A1:2019+A2:2021

Pour le système de boucle à induction: EN 303 447 V1.1.1

Pour le module à ultrasons: EN 55011:2016+A11:2020

Pour le module Bluetooth et WIFI (2.4G): EN 301 489-1 V2.2.3, EN 301 489-17 V3.2.4, EN 300 328 V2.2.2

Pour le chargeur: EN IEC 55014-1:2021, EN IEC 55014-2:2021, EN IEC 61000-3-2:2019+A1:2021, EN 61000-3-3:2013+A1:2019+A2:2021, EN IEC 60335-2-29:2021+A1:2021, EN 60335-1:2012+A11:2014+A13:2017+A1:2019+A2:2019+A14:2019+A15:2021, EN 62233:2008

Pour le bruit: EN ISO 3744:2005

Pour le RoHS: EN IEC 63000:2018

La personne autorisée à compiler le dossier technique,

Nom **Marcel Filz**

Adresse **Positec Germany GmbH Postfach 32 02 16, 50796 Cologne, Germany**



2023/09/19

Allen Ding

Ingénieur en chef adjoint, Essais & Certification

Positec Technology (China) Co., Ltd.

18, Dongwang Road, Suzhou Industrial

Park, Jiangsu 215123, P. R. China

Gli utenti possono consultare le istruzioni in formato digitale sul sito <https://www.kress.com/en/>.

Sicurezza del prodotto

Avvisi generali per la sicurezza degli utensili a motore



AVVERTENZA: È assolutamente necessario leggere attentamente tutte le istruzioni. *Eventuali errori nell'adempimento delle istruzioni qui di seguito riportate potranno causare scosse elettriche, incendi e/o lesioni gravi.*

Leggere accuratamente queste istruzioni per usare la macchina in sicurezza. Conservare tutti gli avvisi e le istruzioni per poterle consultare quando necessario.

- Questo dispositivo non è inteso per l'uso da parte di persone (inclusi i bambini) con capacità fisiche, sensorie o mentali ridotte o con scarsa esperienza e conoscenza del prodotto, a meno che non sia utilizzato sotto la supervisione da parte di persone responsabili per la loro sicurezza.
- I bambini devono essere controllati per garantire che non giochino con il dispositivo.
- La batteria di questo dispositivo può essere sostituita solo da personale qualificato.
AVVERTENZA: Per caricare la batteria, utilizzare solo l'alimentatore rimovibile fornito con il dispositivo.

IMPORTANTE LEGGERE ATTENTAMENTE PRIMA DELL'USO CONSERVARE PER RIFERIMENTO FUTURO

Procedure per un uso sicuro Addestramento

- Leggere con attenzione le istruzioni. Acquisire familiarità con i comandi e il corretto funzionamento dell'apparecchio.
- Non permettere mai a bambini o a persone sprovviste delle necessarie competenze di utilizzare l'attrezzo. L'età minima di utilizzo dello stesso può variare a seconda delle diverse normative locali.
- Ricordare che l'operatore o l'utente sono responsabili di incidenti o rischi che

dovessero verificarsi ai danni di terzi o delle proprietà.

Operazioni preliminari

- Accertarsi che il filo perimetrale sia installato correttamente, in base alle istruzioni.
- Ispezionare con attenzione l'area in cui si deve utilizzare il robot tosaerba e togliere tutti gli oggetti che potrebbero essere lanciati dal robot tosaerba.
- Prima dell'uso, verificare visivamente che le lame, i rispettivi bulloni e il gruppo di taglio non siano usurati o danneggiati. In tal caso, sostituire le lame o i bulloni in blocco per mantenere il bilanciamento.
- Su macchine con più lame, prestare attenzione perché ruotando una lama si provoca la rotazione dell'altra lama.
- AVVERTENZA!** Non utilizzare mai il robot tosaerba se le protezioni o i ripari sono danneggiati o senza i gli appositi apparati di sicurezza.

Funzionamento

1. Generali

- Non utilizzare mai il robot tosaerba se le protezioni o i ripari sono danneggiati o senza i gli appositi apparati di sicurezza, come i deflettori e di raccolta erba.
- Non avvicinare mani o piedi accanto o sotto le parti rotanti. Nel caso di falciatrici rotative, mantenere costantemente libere le aperture di scarico.
- Non raccogliere, né trasportare il robot tosaerba quando è in funzione.
- Spegnere il Mission™NANO:
 - Prima di eliminare un ostacolo;
 - Prima di controllare, pulire o effettuare lavori sul robot tosaerba;
 - Dopo aver urtato un oggetto estraneo, ispezionare la macchina per verificare che non vi siano danni;
 - Se la macchina inizia a vibrare in modo anomalo, verificare che non vi siano danni prima di riavviarla.
- Non è consentito modificare la versione originale del robot tosaerba. Il produttore declina ogni responsabilità per eventuali modifiche non autorizzate.
- Avviare il robot tosaerba, come descritto nelle istruzioni. Quando l'apparecchio è acceso, tenere mani e piedi lontani dalle lame rotanti. Non infilare mai le mani o i piedi sotto al tosaerba.
- Non sollevare mai il tosaerba robotizzato, né

- trasportarlo quando è acceso.
- h) Non consentire a persone che non conoscono il funzionamento e il comportamento del robot tosaerba di utilizzarlo.
 - i) Non sistemare oggetti sopra al robot tosaerba o alla base di ricarica.
 - j) Non utilizzare il robot tosaerba se il disco lame o la scocca presentano difetti. Non utilizzarlo nemmeno se presenta lame, viti, dadi o cavi difettosi.
 - k) Spegnere sempre il robot tosaerba quando non si ha intenzione di utilizzarlo. Il tosaerba robotizzato può avviarsi solo quando l'alimentazione è accesa ed è stato inserito il codice PIN corretto.
 - l) Tenere mani e piedi lontani dalle lame rotanti. Non mettere mai le mani o i piedi vicino o sotto il corpo quando il robot tosaerba è in funzione.
 - m) Evitare di utilizzare la macchina e i suoi accessori in condizioni meteo avverse, specialmente in caso di rischio di caduta di fulmini.
 - n) Non toccare parti mobili pericolose prima che si siano completamente arrestate.
 - o) Per le macchine utilizzate in aree pubbliche, i segnali di avvertimento devono essere collocati attorno all'area di lavoro della macchina. Mostrano la sostanza del seguente testo:
Attenzione! Tosaerba automatico! Stare lontano dalla macchina! Supervisionare i bambini!

2. Ulteriori informazioni per quando l'apparecchiatura funziona in modalità automatica

- a) Non usare il robot tosaerba in presenza di altre persone, in particolar modo di bambini o di animali domestici.

Manutenzione e conservazione



AVVERTENZA! Quando il tosaerba viene capovolto, l'alimentazione deve essere sempre spenta.

L'alimentazione deve essere disattivata durante tutti i lavori sul telaio inferiore del tosaerba, come la pulizia o la sostituzione delle lame.

- a) Ai fini della sicurezza delle operazioni, accertarsi che tutti i dadi, i bulloni e le viti del robot tosaerba siano saldamente avvitati.
- b) Controllare il robot tosaerba ogni settimana e sostituire le eventuali parti danneggiate o usurate.

- c) Controllare in particolare che le lame e il disco lame siano integri. All'occorrenza, sostituire tutte le lame e le viti contemporaneamente in modo che le parti rotanti siano bilanciate.
- d) Assicurarsi di utilizzare solo ricambi originali.
- e) Assicurarsi che le batterie siano caricate utilizzando il caricabatteria corretto consigliato dal costruttore. L'uso non corretto potrebbe causare folgorazioni, surriscaldamento o perdite di liquidi corrosivi dalla batteria.
- f) Nel caso di perdite di elettroliti, lavare con acqua/un agente neutralizzante, chiedere l'aiuto di un medico nel caso vengano a contatto con gli occhi, ecc;
- g) Le manutenzione del robot tosaerba deve essere eseguita seguendo le istruzioni del costruttore.

Suggerimento

Collegare la macchina e/o i suoi accessori solo a un circuito di alimentazione protetto da un dispositivo di corrente residua (RCD) con corrente di intervento non superiore a 30 mA.

Rischi residui

Per evitare infortuni, indossare guanti produttivi quando si sostituiscono le lame.

Trasferimento

Per i trasporti più lunghi, si raccomanda di riporre il robot tosaerba nell'imballaggio originale.

Per un trasferimento sicuro dall'area di lavoro o al suo interno:

- a) fermare il tagliaerba premendo il tasto STOP; si sceglie il PIN a quattro cifre quando si avvia il tagliaerba per la prima volta.
- b) spegnere sempre il robot tosaerba se si ha intenzione di trasportarlo;
- c) afferrare il robot tosaerba per l'impugnatura presente sul fondo, nella parte posteriore. Trasportare il robot tosaerba con il disco lame lontano dal corpo.

Requisiti di esposizione RF

Per soddisfare i requisiti relativi all'esposizione RF, è necessario mantenere una distanza di separazione di almeno 200 mm tra questo dispositivo e le persone durante il funzionamento del dispositivo.

Per garantire la conformità, non è consigliabile eseguire operazioni a distanze più ravvicinate. L'antenna utilizzata per questo trasmettitore

non deve essere collocata in congiunzione con altre antenne o trasmettitori.

Si tratta di un apparecchio di classe III e deve essere alimentato solo a bassissima tensione di sicurezza corrispondente alla marcatura sull'apparecchio.

Avvertenze di sicurezza per il pacco batteria all'interno dell'elettrodomestico

- a) **Non smontare, aprire o strappare le celle secondarie o il pacco batteria.**
- b) **Non mettere in corto circuito il pacco batteria. Non conservare il pacco batteria disordinatamente in una scatola o in un cassetto in cui potrebbe essere cortocircuitato da altri oggetti metallici.**
Quando il pacco batteria non è in uso, tenerlo lontano da altri oggetti metallici come graffette, monete, chiavi, chiodi, viti e altri piccoli oggetti metallici, perché potrebbe crearsi un collegamento tra i due terminali. Collegare i terminali della batteria potrebbe causare incendi o ustioni.
- c) **Non esporre il pacco batteria a calore o fuoco. Evitare di conservarlo alla luce diretta del sole.**
- d) **Non sottoporre il pacco batteria a scosse meccaniche.**
- e) **In caso di perdite da una cellula, evitare che il liquido entri in contatto con la pelle o gli occhi. In caso di contatto, lavare l'area interessata con abbondante acqua e consultare un medico.**
- f) **Tenere le celle e il pacco batteria puliti e asciutti.**
- g) **Ricaricare solo con la base di ricarica fornita da Kress. Non utilizzare caricabatterie diversi da quelli forniti per l'uso specifico con l'apparecchiatura.**
- h) **Non utilizzare un pacco batteria non progettato per questo prodotto.**
- i) **Tenere il pacco batteria fuori dalla portata dei bambini.**
- j) **Conservare i documenti originali del prodotto per riferimenti futuri.**
- k) **Smaltire adeguatamente.**
- l) **Non mescolare celle di diverse produzione, capacità, dimensione o tipo all'interno di un dispositivo.**
- m) **Tenere la batteria lontana da microonde e alta pressione.**
- n) **Avvertenza! Non utilizzare batterie non ricaricabili.**

Requisiti del manuale d'uso per il prodotto wireless

- a) Il funzionamento di questo dispositivo è soggetto alla due seguenti condizioni:
 - (1) Questo dispositivo non deve causare interferenze pericolose, e
 - (2) questo dispositivo deve accettare qualsiasi interferenza ricevuta, incluse quelle che potrebbero causare un funzionamento indesiderato.
- b) **Attenzione:** Cambiamenti o modifiche a questa unità non espressamente approvate dai responsabili in materia di conformità potrebbero invalidare il diritto dell'utente ad utilizzare l'apparecchiatura.
- c) **NOTA:** Questa apparecchiatura genera, utilizza e può irradiare energia a radiofrequenza e, se non installata e utilizzata in conformità alle istruzioni, può causare interferenze dannose alla comunicazione radio. Tuttavia, non vi è alcuna garanzia che non si verifichino interferenze in una installazione specifica. Se questo dispositivo causa interferenze dannose alla ricezione radio o televisiva, che possono essere individuate spegnendo e riaccendendo il dispositivo, l'utente è incoraggiato a cercare di correggere l'interferenza eseguendo una o più delle seguenti misure:
 - Riorientare o spostare l'antenna ricevente.
 - Accrescere il divario tra l'apparecchiatura e il ricevitore.
 - Collegare l'apparecchiatura ad una presa su un circuito diverso da quello al quale è collegato il ricevitore.
 - Consultare il rivenditore o un tecnico radiotelevisivo esperto.

SIMBOLI



AVVERTENZA – In caso di uso improprio, il robot tosaerba può essere pericoloso. Leggere attentamente le istruzioni per l'uso e comprenderne il significato prima di utilizzare il robot tosaerba.



AVVERTENZA - Tenere gli astanti a distanza di sicurezza.



AVVERTENZA –Spegnere la macchina prima di sottoporla a manutenzione o di sollevarla.



AVVERTENZA – Non salire sopra il robot tosaerba.



Dispositivo di Classe III



I prodotti elettrici non possono essere gettati tra i rifiuti domestici. L'apparecchio da rottamare deve essere portato al centro di riciclaggio per un corretto trattamento. Controllare con le autorità locali o con il rivenditore per localizzare il centro di riciclaggio più vicino.



Li-Ion



Batteria agli ioni di litio. Questo prodotto è stato contrassegnato con un simbolo relativo alla "raccolta differenziata" per tutti i pacchi batteria. Sarà pertanto riciclato o smontato al fine di ridurre l'impatto ambientale. I pacchi batteria possono essere nocivi per l'ambiente e per la salute delle persone, in quanto possono contenere sostanze pericolose.



Non bruciare



Se le batterie non sono disposte in modo appropriato, potrebbero entrare nel ciclo dell'acqua, il che può essere un pericolo per l'ecosistema. Non disporre le batterie usate come rifiuti urbani non differenziati.



Non lavare il robot tosaerba con apparecchi ad alta pressione.

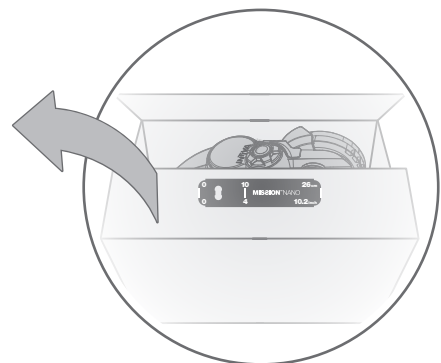
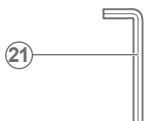
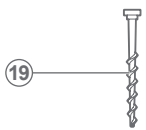
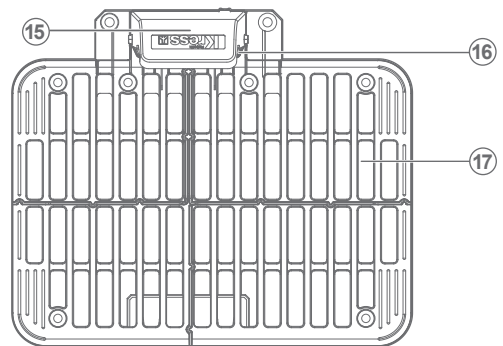
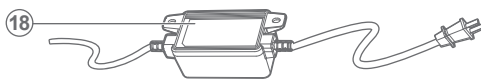
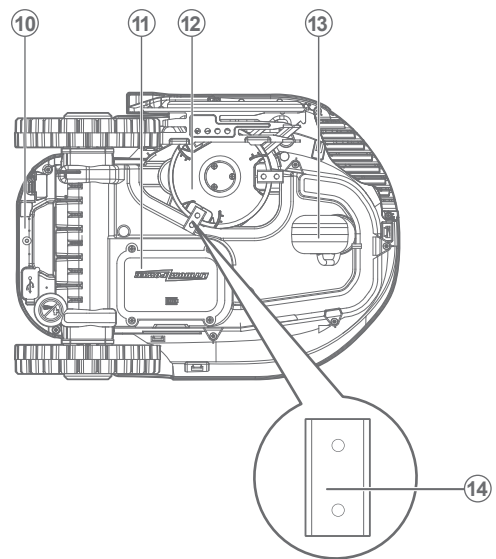
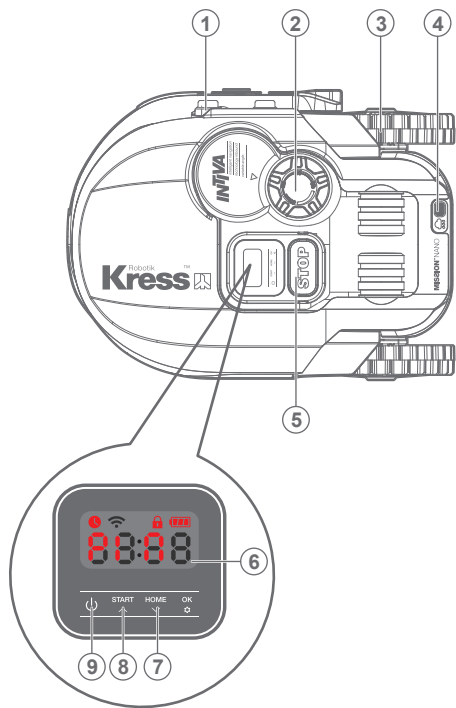


Leggere il manuale di istruzioni



Unità di alimentazione rimovibile

Componenti del robot tosaerba



- | | |
|---|---|
| 1. Striscia Di Ricarica | 12. Disco Lama |
| 2. Manopola Di Regolazione Dell'altezza Di Taglio | 13. Ruota Anteriore |
| 3. Ruota Posteriore | 14. Lama |
| 4. Sensore Pioggia | 15. Cuffia Di Protezione |
| 5. Tasto STOP | 16. Pin Di Contatto |
| 6. Display | 17. Base Di Ricarica |
| 7. Pulsante HOME | 18. Trasformatore |
| 8. Tasto START | 19. Chiodi Di Ancoraggio Della Base Di Ricarica |
| 9. Tasto di accensione/spegnimento | 20. Distanziatore Per Il Filo Perimetrale |
| 10. Maniglia | 21. Chiave A Brugola |
| 11. Pacco Batteria | |

Dati tecnici

Codice **KR101E (100-199 - Designazione del macchinario, rappresentativo della Robot tosaerba)**

Potenza nominale	20 V $\overline{=}$ Max.*
Velocità a vuoto nominale	2800 /min
Superficie di taglio	600 m ²
Diametro di taglio	18 cm
Altezza di taglio	30-60 mm
Posizioni altezza di taglio	4
Tipo di batteria	Litio
Modello batteria	KA3022
Tempo di ricarica circa.	105 min
Modello caricatore	KA0200 / KA0201
Potenza caricabatteria	Ingresso: 100-240 V~50/60 Hz, 38 W, Uscita: 20 V, 1.5 A
Peso Macchina	8.95 kg
Classe protezione	III
App	Y
Pendenza massima all'interno della superficie di lavoro	35%
Banda di frequenza per Bluetooth (MHz)	2400-2483.5 MHz
Potenza Massima Trasmessa per Bluetooth (dBm)	8 dBm
Bande di frequenza per WI-FI (MHz)	2400-2483.5 MHz
Potenza massima trasmessa per WI-FI (dBm)	20 dBm
Banda di frequenza dei sistemi a circuito induttivo	77 Hz
Massima potenza di radiofrequenza dei sistemi a circuito induttivo	82 dB μ A/m

* Tensione misurata senza carico di lavoro. La tensione iniziale della batteria raggiunge un massimo di 20 Volt. La tensione nominale è di 18 Volt.

Dati relativi al rumore

Pressione acustica ponderata	$L_{pA} = 45.5 \text{ dB (A)}, K_{pA} = 0.6 \text{ dB(A)}$
Potenza acustica ponderata	$L_{WA} = 65.5 \text{ dB (A)}, K_{WA} = 0.6 \text{ dB(A)}$
Indossare protezione per le orecchie quando la pressione acustica è superiore a	80 dB(A) 

Un certo livello di rumore prodotto dalla macchina è inevitabile. Per eseguire lavori rumorosi è necessario essere autorizzati e farlo solo in determinati momenti. Per rispettare i periodi di riposo potrebbe essere necessario ridurre al minimo le ore di lavoro. Per proteggere il proprio udito e quello delle persone che lavorano nelle vicinanze, indossare un dispositivo di protezione acustica adeguato.

Accessori

Viti	9
Base di ricarica	1
Chiodi di ancoraggio della base di ricarica	8
Chiave a brugola	1
Distanziatori del filo perimetrale	2
Lame	9
Batteria (KA3022)	1
Caricabatteria (KA0200 / KA0201)	1

Si raccomanda di acquistare tutti gli accessori nello stesso negozio in cui è stato acquistato l'attrezzo. Fare riferimento alla confezione dell'accessorio per altri dettagli. Il personale del negozio può aiutarvi e consigliarvi.

Uso conforme alle norme

Questo prodotto è stato progettato per tosare l'erba di prati domestici. È progettato per falciare spesso, mantenendo il prato più vigoroso e bello che mai. In base alle dimensioni del prato, Mission™NANO può essere programmato per funzionare in qualsiasi orario e con qualsiasi frequenza. Non è concepito per scavare, spazzare o sgombrare la neve.

Manutenzione

Controllare periodicamente Mission™NANO. Mission™NANO lavora sodo e dopo un certo periodo di tempo ha bisogno di una buona pulizia e di sostituire le sue parti, le quali potrebbero usurarsi. Non utilizzare il Mission™NANO se l'interruttore di accensione/spegnimento è difettoso.

Prima di qualsiasi intervento di assistenza o manutenzione spegnere il robot tosaerba.

Nella seguente documentazione desideriamo mostrare come lasciare adattare il nuovo Mission™NANO alla sua nuova casa offrendogli la migliore assistenza possibile.

1

Mantenere affilate le lame

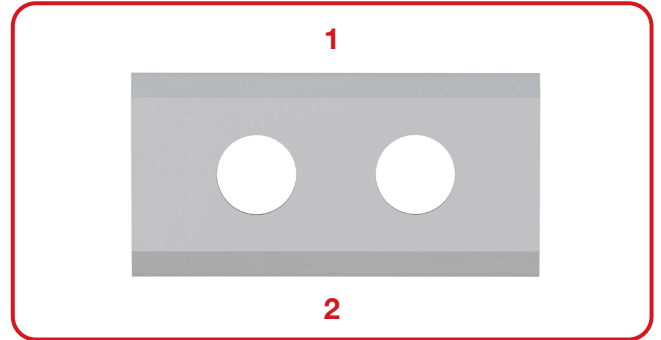


AVVERTENZA: prima di pulire, regolare o sostituire le lame, spegnere Mission™NANO e indossare dei guanti di protezione.



AVVERTENZA: assicurarsi di sostituire TUTTE le lame ogni volta. Usare sempre viti nuove quando si sistemano le lame. Questa precauzione è importante per assicurare il trattenimento delle lame e il bilanciamento del disco lame rotante. Il mancato utilizzo di viti nuove può provocare serie lesioni.

Mission™NANO non taglia l'erba come altri tosaerba. Le sue lame sono affilatissime su tutti i 4 lati e ruotano in entrambe le direzioni raggiungendo la massima capacità di taglio. Ogni lama del Mission™NANO ha 4 estremità taglienti. Il disco lame ruoterà in avanti o all'indietro in modo casuale per usare 4 le estremità taglienti. Ciò contribuisce a ridurre al minimo la frequenza di sostituzione della lama di taglio. E con il nuovo materiale, la durata di ogni lama di taglio sarà 3 volte più lunga di quella di altre marche quando la lama è programmata per falciare ogni giorno... Verificare sempre se le lame sono scheggiate o danneggiate e sostituirle, se necessario. Quando le lame sono smussate e usurate devono essere sostituite con le lame di ricambio fornite con Mission™NANO. Le lame di ricambio sono anche disponibili presso il rivenditore Kress più vicino.



A. Sostituire le lame

Generalmente le lame di Mission™NANO devono essere invertite ogni mese e sostituite ogni 2 mesi. Pertanto, quando si sostituiscono le lame, assicurarsi di sostituirle tutte contemporaneamente. È possibile sostituirle con uno dei kit di lame di ricambio e le viti delle lame supplementari in dotazione con Mission™NANO.

Prima di tentare di sostituire le lame di Mission™NANO, spegnere il tosaerba e indossare guanti protettivi. Quindi attenersi alle seguenti procedure:

1. Capovolgere delicatamente Mission™NANO.
2. Rimuovere il coperchio della batteria e rimuovere la batteria.
3. Svitare le viti delle lame con un cacciavite a taglio.
4. Avvitare saldamente le nuove lame.
5. Risistemare la batteria e il coperchio della batteria.



Importante: una volta avvitate le lame sul disco lamee, assicurarsi che ruotino liberamente.

2

Pulizia



AVVERTENZA: prima di eseguire la pulizia, spegnere Mission™NANO Indossare guanti protettivi prima di pulire il disco lame e non utilizzare acqua corrente.

A. Pulizia del corpo

Mission™NANO dura più a lungo e meglio se pulito periodicamente. Dal momento che il vostro Mission™NANO è un apparecchio elettrico dovete fare attenzione quando lo pulite, **quindi NON usare una canna, apparecchi ad alta pressione o versare acqua corrente su Mission™NANO**, è meglio usare una bottiglia spray piena d'acqua. Per la pulizia dell'alloggiamento in plastica utilizzare una spazzola morbida o un panno pulito ed evitare l'uso di solventi o lucidanti. Infine, assicurarsi di rimuovere tutto l'accumulo di erba tagliata e di detriti, soprattutto dalle prese d'aria di raffreddamento del motore.



B. Pulizia della scocca

Anche in questo caso, è importante spegnere Mission™NANO e **indossare guanti protettivi prima di toccare il disco lama**. Prima capovolgere Mission™NANO per esporne la parte inferiore. Qui si può notare il disco lama, il telaio scatolato motore circostante e le ruote anteriori e motrici. Pulire tutto accuratamente con una spazzola morbida o un panno umido.



AVVERTENZA: Non pulire MAI la parte inferiore di Mission™NANO con un getto d'acqua. I componenti potrebbero danneggiarsi. Ruotare il disco lama per assicurarsi che ruoti liberamente. Controllare che le lame girino liberamente attorno alle viti di fissaggio. Rimuovere qualsiasi ostacolo.

IMPORTANTE: rimuovere i detriti depositatisi in modo che non causino crepe nel disco lama. Anche la più piccola crepa può ridurre la potenza di taglio di Mission™NANO.



57

I

C. Pulizia dei pin di contatto e delle strisce di ricarica

Pulire con un panno i pin di contatto situati sulla base di ricarica e le strisce di ricarica situate su Mission™NANO. Rimuovere periodicamente tutto l'accumulo di erba tagliata e di detriti intorno ai pin di contatto e alle strisce di ricarica per garantire ogni volta il corretto caricamento di Mission™NANO.



3

Durata della batteria

Il cuore di Mission™NANO è costituito da una batteria al litio a 20V. Per riporre la batteria in modo corretto, assicurarsi che sia completamente carica e riporta in un luogo asciutto tra (20°C ± 5°C).

NOTA: La temperatura di esercizio raccomandata per Mission™NANO è di 0°C - 45°C.

La vita utile della batteria di Mission™NANO dipende da vari fattori, tra cui:

- la durata della stagione di taglio nella propria regione geografica;
- la quantità di ore in cui Mission™NANO esegue il taglio giornaliero;
- la cura della batteria quando viene conservata.

Mission™NANO si può caricare manualmente senza cavo perimetrale

1. Connettere la base di ricarica a una fonte di alimentazione adatta. La spia verde sulla base di ricarica si illuminerà.
2. Mentre Mission™NANO è spento, agganciarlo manualmente alla base di ricarica.
3. La luce verde lampeggia sulla base di ricarica. Mission™NANO comincerà la ricarica.



4

Rimessaggio invernale

Mission™NANO dura più a lungo e conserva le prestazioni ottimali se viene riposto al coperto. Perciò, sebbene sia resistente, si consiglia di riporre Mission™NANO nella rimessa o nel garage durante l'inverno.

Prima di riporre al coperto Mission™NANO, assicurarsi di:

- pulire accuratamente Mission™NANO;
- caricare completamente la batteria;
- spegnere il tosaerba.

Per massimizzare la durata della batteria si raccomanda di caricarla completamente prima di riporre l'attrezzo per l'inverno.

58

AVVERTENZA: Proteggere la parte inferiore di Mission™NANO dall'acqua. Non riporre MAI Mission™NANO all'aperto sottosopra.

Il filo perimetrale può essere lasciato nel terreno, anche se le sue estremità devono essere protette, ad esempio collocandole in una lattina di grasso. Se la base di ricarica viene lasciata fuori durante l'inverno, lasciare il filo perimetrale collegato.

NOTA: Quando si riattiva Mission™NANO dal rimessaggio invernale, assicurarsi che le strisce di ricarica e i pin di contatto siano pulite. È meglio utilizzare carta vetrata fine. Utilizzando l'App assicurarsi che la data e l'ora siano corrette e rimandare Mission™NANO a fare ciò che ama: tagliare l'erba.

5

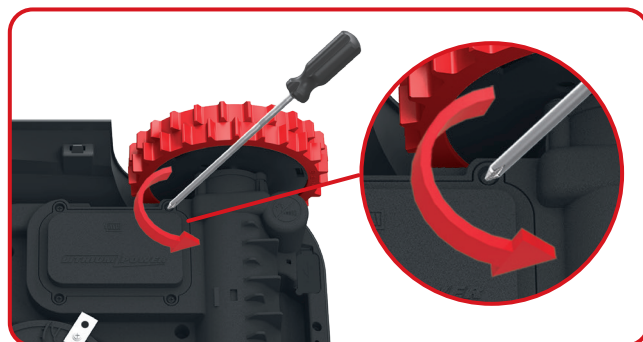
Sostituzione della batteria

AVVERTENZA: premere il tasto ON/OFF su OFF prima di effettuare qualsiasi regolazione, sostituzione o riparazione.

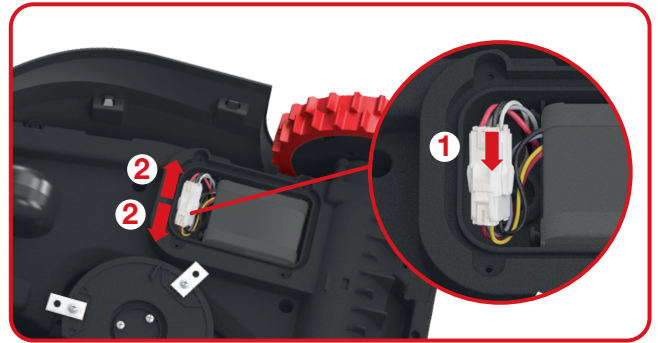
Prima sostituire le lame, spegnere Mission™NANO e indossare dei guanti di protezione.

Per sostituire la batteria, attenersi alle seguenti procedure:

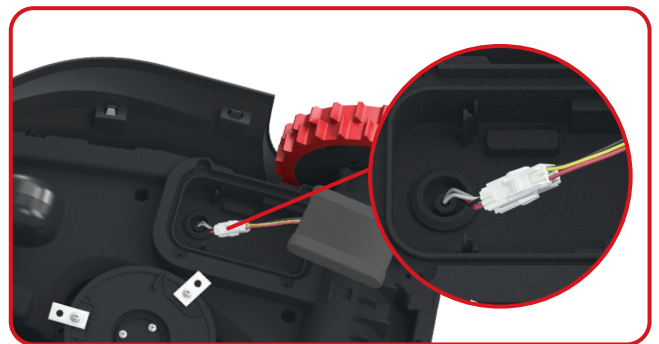
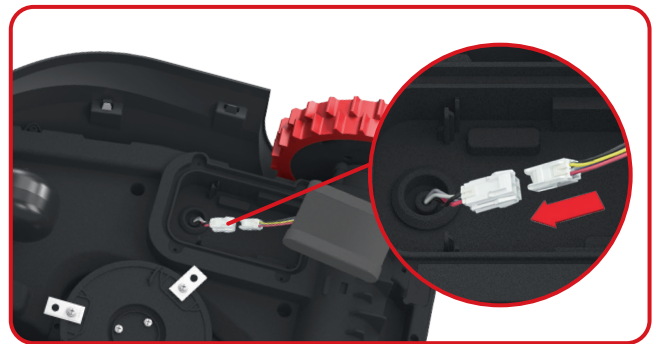
1. Capovolgere delicatamente Mission™NANO.
2. Rimuovere le viti sulla batteria. Rimuovere il coperchio della batteria.



3. Estrarre delicatamente la vecchia batteria.
Premere il fermo e sganciare i connettori.
NOTA: non tirare dai cavi. Tenere con la mano i connettori e sganciare il fermo.



4. Inserire una nuova batteria originale collegando insieme i connettori e farla scattare in posizione.



5. Montare la batteria come illustrato. Rimontare il coperchio e stringere saldamente le viti.



Messaggi di errore

A volte le cose possono andare storte. Per fortuna Mission™NANO è abbastanza intelligente da avvisare quando si verifica un problema, dando la possibilità di risolverlo. In caso di dubbi, visitare il nostro sito Web per trovare video utili e ulteriore assistenza.

Sintomo	Causa	Azione
EE	Errore sconosciuto.	Contattare l'assistenza clienti.
F I	Ritardo per pioggia.	Mission™NANO si avvierà solo dopo la fine della pioggia e la scadenza del ritardo per pioggia.
E I	Filo perimetrale mancante o Mission™NANO oltre il filo.	<ol style="list-style-type: none"> 1. Se Mission™NANO si trova fuori dall'area di lavoro: spegnere Mission™NANO e portarlo all'interno dell'area di lavoro. Accendere Mission™NANO. Premere START. 2. Se Mission™NANO si trova all'interno dell'area di lavoro, controllare che il LED sulla base di ricarica sia verde. In caso contrario, verificare che la base di ricarica sia collegata correttamente al caricabatterie e che il caricabatteria sia collegato a una fonte di alimentazione idonea. In questo caso, significa che le estremità del filo perimetrale non sono collegate ai morsetti corretti ed è necessario invertire il collegamento. 3. Invertire le estremità del filo perimetrale.
E 2	Guasto delle ruote motrici.	<p>Spegnere Mission™NANO: portare Mission™NANO in un'area priva di ostacoli.</p> <p>Accendere Mission™NANO. Premere START. Se continua ad essere visualizzato il messaggio di errore; spegnere Mission™NANO; capovolgere Mission™NANO e controllare se è presente qualche ostacolo che impedisce alle ruote di ruotare.</p> <p>Rimuovere qualsiasi ostacolo, capovolgere Mission™NANO, accendere Mission™NANO.</p>
E 3	Guasto della lama motrice.	<p>Spegnere Mission™NANO.</p> <p>Ribaltare Mission™NANO, indossare guanti di sicurezza per evitare infortuni e verificare se qualcosa impedisce al disco della lama di ruotare.</p> <p>Rimuovere qualsiasi ostacolo.</p> <p>Capovolgere di nuovo il Mission™NANO e portarlo in un'area con erba bassa o regolare l'altezza di taglio.</p> <p>Accenderlo Mission™NANO. Premere START.</p>
E 4	Errore di blocco.	<p>Spegnere Mission™NANO.</p> <p>Portare Mission™NANO in un'area priva di ostacoli. Accendere Mission™NANO. Premere START.</p> <p>Se continua ad essere visualizzato il messaggio di errore; spegnere Mission™NANO; capovolgere Mission™NANO. Verificare che nulla impedisca alle ruote di girare.</p> <p>Rimuovere qualsiasi ostacolo, capovolgere Mission™NANO, accendere Mission™NANO.</p>
E 5	Errore di sollevamento.	<p>Spegnere Mission™NANO.</p> <p>Portare Mission™NANO in un'area priva di ostacoli, accendere Mission™NANO. Premere START.</p> <p>Se il messaggio di errore è ancora visualizzato: spegnere, ribaltare Mission™NANO e controllare se qualcosa può causare il sollevamento di Mission™NANO.</p> <p>Rimuovere qualsiasi oggetto, capovolgere Mission™NANO, accendere Mission™NANO.</p>

E6	Errore di ribaltamento (inclinazione).	Capovolgere Mission™NANO.
E7	Errore di carica della batteria	1) La temperatura della batteria è troppo elevata (più di 55°C) durante la ricarica. Posizionare la base di ricarica in un'area ombreggiata o attendere che la temperatura si abbassi. 2) Il livello della batteria è troppo basso. La temperatura esterna non consente a Mission™NANO di funzionare. È tempo del rimessaggio invernale. 3) Collegamento scadente: verificare il collegamento tra i pin di contatto sulla base di ricarica e la striscia di ricarica e accertarsi che la base di ricarica si trovi su una superficie perfettamente piana. 4) Alimentazione interrotta: contattare l'assistenza clienti.
E8	Errore di ricerca della base di ricarica.	1) La base di ricarica è mal posizionata (non su una superficie piana); Mission™NANO non riesce a trovare i pin e a fermarsi. Controllare la base. 2) Mission™NANO esaurisce la carica della batteria prima di raggiungere la base di ricarica. Il filo perimetrale esteso non deve superare i 350 metri.
E9	Con la "Funzione di blocco" abilitata, se Mission™NANO non riceve un segnale dal router Wi-Fi per 3 giorni, si blocca come misura di sicurezza. Ciò potrebbe essere dovuto al fatto che il router si è spento, è stato sostituito o è stato cambiato il provider di rete.	Riconnettere Mission™NANO alla rete Wi-Fi cui era stato originariamente associato. Se non fosse possibile, contattare l'assistenza clienti.
E4:60 E4:61 E4:62 E4:63 E4:64	Si verifica un errore di aggiornamento del software del modulo.	Verificare che il modulo sia collegato correttamente. Verificare che il file copiato nella chiavetta USB non sia danneggiato. Spegnerlo e riaccenderlo, quindi riprovare ad aggiornare il software.
E4:50 E4:51 E4:52 E4:80 E4:81 E4:82 E4:83 E4:84 E4:80	Si verifica un errore di aggiornamento del software.	Ritentare l'aggiornamento del software o contattare l'assistenza clienti.

NOTA


- Prima di accendere, controllare sempre che Mission™NANO si trovi all'interno dell'area di lavoro.
- Se per qualsiasi motivo (ad esempio, una festa o bambini che giocano...) si desidera riporre Mission™NANO nella base di ricarica: premere HOME seguito da OK. Mission™NANO tornerà alla base di ricarica e si fermerà là. Mission™NANO attenderà fino alla successiva sessione di taglio programmata. Per riavviarlo in qualsiasi momento, premere Avvio, quindi OK per avviare Mission™NANO.
- Se un errore si verifica ripetutamente nella stessa area del prato, potrebbe esservi un problema con il filo perimetrale. Fare riferimento alle precedenti istruzioni di installazione e controllare l'impostazione con il suo aiuto.
- Se il prato è diviso in due zone separate collegate da un corridoio inferiore a 1 m, uno dei quali non è dotato di base di ricarica: quando il Mission™NANO è scarico, portarlo manualmente alla base di ricarica. Il processo di ricarica avrà inizio.
- Se Mission™NANO dovesse occasionalmente funzionare in modo anomalo, ripristinarlo spegnendolo e rimuovendo la batteria per 30 secondi, quindi riavviarlo. Qualora non fosse possibile risolvere il problema, contattare la nostra assistenza clienti.

Risoluzione dei problemi di installazione

Se Mission™NANO non funziona correttamente, attenersi alla guida alla risoluzione dei problemi di seguito. Se il problema persiste, contattare il rivenditore.

Sintomo	Causa	Azione
Il LED della base di ricarica non si accende.	Non vi è alimentazione.	Verificare che il cavo di alimentazione sia collegato correttamente al caricabatterie e che il caricabatteria sia collegato a una fonte di alimentazione idonea.
L'indicatore luminoso rosso della base di ricarica si illumina.	Il filo perimetrale non è collegato.	Verificare che il filo perimetrale sia collegato correttamente alla base di ricarica. Controllare che il filo perimetrale non presenti rotture, specialmente alle estremità.
Mission™NANO si trova all'interno dell'area di lavoro e il filo perimetrale è collegato. Ma il display mostra il messaggio “- E !-”.	Le estremità del filo perimetrale non sono collegate correttamente ai morsetti.	Invertire il collegamento delle estremità del filo perimetrale.
Mission™NANO non può agganciarsi correttamente alla base di ricarica.	Influenze da parte dell'ambiente.	Riattivare Mission™NANO.
	Collegamento scadente causato dalla contaminazione delle strisce di ricarica.	Pulire i pin di contatto della base di ricarica e le strisce di ricarica della macchina con un panno.
Mission™NANO si muove fuori dal filo perimetrale. Il Mission™NANO non taglia l'erba in un'area all'interno della zona perimetrale. Il Mission™NANO fa retromarcia o ruota in modo erratico vicino al filo perimetrale.	Il cavo perimetrale di un altro Mission™NANO o di un robot tosaerba di altra marca è posizionato troppo nelle vicinanze	Assicurarsi che il Cavo Perimetrale Mission™NANO sia posizionato ad una distanza di almeno 1m rispetto al cavo perimetrale limitrofo.
	Il cavo perimetrale è stato installato con angoli acuti.	Controllare che gli angoli del cavo siano morbidi.
	In condizioni di umidità, il segnale elettrico del filo perimetrale potrebbe interrompersi nei punti di giunzione o di riparazione.	Controllare i punti di giunzione del filo perimetrale. Isolarli per ottenere una connessione completamente impermeabile.
	Si è verificata una perdita di segnale dovuta a un isolamento danneggiato.	Riparare l'isolamento danneggiato del filo perimetrale con dei connettori.
	L'area di taglio è più ampia dell'area consentita per il Mission™NANO.	Ridurre la superficie di taglio.
Il Mission™NANO esce dal cavo perimetrale a causa dell'alta velocità se si trova in discesa.	Il cavo di perimetrale si trova su un pendio superiore al 17% (10°).	Riposizionare il cavo perimetrale lontano da pendenze superiori al 17% (10°).

Tutela ambientale

 I prodotti elettrici non possono essere gettati tra i rifiuti domestici. L'apparecchio da rottamare deve essere portato al centro di riciclaggio per un corretto trattamento. Controllare con le autorità locali o con il rivenditore per localizzare il centro di riciclaggio più vicino.

Dichiarazione di conformità

Noi,
Positec Germany GmbH
Postfach 32 02 16, 50796 Cologne, Germany

A nome di Positec si dichiara che il prodotto,
Descrizione **Robot tosaerba**
Codice **KR101E (790-799 - Designazione del macchinario, rappresentativo della Robot tosaerba)**
(Numero di serie è sulla pagina posteriore) con caricabatterie KA0200 / KA0201 e base di ricarica KA0071
Funzione **Falciatura prati**

È conforme alle seguenti direttive,
2006/42/EC, 2014/30/EU, 2014/35/EU, 2011/65/EU&(EU)2015/863, 2000/14/EC modificata dalla 2005/88/EC, 2014/53/EU

2000/14/EC modificata dalla 2005/88/EC

- | | |
|---------------------------------------|--------------------|
| - Procedura di conformità come da | Annex V |
| - Potenza acustica pesata | 65.5 dB (A) |
| - Massima potenza di rumore garantita | 67 dB (A) |

L'organismo notificato Intertek, Semko AB, NB-No. 0413 ha eseguito un esame per la conformità alla direttiva europea 2014/53/EU e ha rilasciato la seguente certificazione valida per l'UE: SE-RED-2200106

Conforme a,

Per il tosaerba: EN 50636-2-107:2015+A1:2018+A2:2020+A3:2021, EN 60335-1:2012+A11:2014+A13:2017+A1:2019+A2:2019+A14:2019+A15:2021, EN IEC 62311:2020, EN IEC 55014-1:2021, EN IEC 55014-2:2021, EN IEC 61000-3-2:2019+A1:2021, EN 61000-3-3:2013+A1:2019+A2:2021

Per il sistema del circuito induttore: EN 303 447 V1.1.1

Per il modulo a ultrasuoni: EN 55011:2016+A11:2020

Per il modulo Bluetooth e WIFI (2.4G): EN 301 489-1 V2.2.3, EN 301 489-17 V3.2.4, EN 300 328 V2.2.2

Per il caricabatterie: EN IEC 55014-1:2021, EN IEC 55014-2:2021, EN IEC 61000-3-2:2019+A1:2021, EN 61000-3-3:2013+A1:2019+A2:2021, EN IEC 60335-2-29:2021+A1:2021, EN 60335-1:2012+A11:2014+A13:2017+A1:2019+A2:2019+A14:2019+A15:2021, EN 62233:2008

Per il rumore: EN ISO 3744:2005

Per il RoHS: EN IEC 63000:2018

Il responsabile autorizzato alla compilazione della documentazione tecnica,

Nome Marcel Filz

Indirizzo Positec Germany GmbH Postfach 32 02 16, 50796 Cologne, Germany



2023/09/19

Allen Ding

Vice capo ingegnere, testing e certificazione

Positec Technology (China) Co., Ltd.

18, Dongwang Road, Suzhou Industrial

Park, Jiangsu 215123, P. R. China

Los usuarios pueden consultar las instrucciones electrónicas en <https://www.kress.com/en/>.

Seguridad del producto

Instrucciones generales y adicionales de seguridad



ADVERTENCIA: Lea todas las advertencias e instrucciones de seguridad. El incumplimiento de las advertencias e instrucciones puede provocar una descarga eléctrica, incendio y/o lesiones graves.

Lea atentamente las instrucciones para un correcto funcionamiento de la máquina. Guarde todas las advertencias e instrucciones como referencia para el futuro.

- Este aparato no se ha diseñado para ser utilizado por personas (incluidos niños) con una incapacidad física, sensorial o mental reducida, o falta de experiencia y conocimiento, a menos que una persona responsable de su seguridad les autorice a ello o les proporcione la formación necesaria para usar el aparato.
- No se debe permitir que los niños jueguen con este aparato.
- Este aparato contiene baterías que solo son reemplazables por personas expertas. **ADVERTENCIA:** Para recargar la batería, utilice únicamente la unidad de alimentación desmontable proporcionada con este aparato.

IMPORTANTE **LEA ATENTAMENTE ANTES DE USAR** **GUARDE COMO REFERENCIA PARA EL FUTURO**

Prácticas para un correcto funcionamiento **Formación**

- a) Lea las instrucciones con atención. Asegúrese que ha entendido las instrucciones y se ha familiarizado con los controles y el uso apropiado del aparato;
- b) No permita que el aparato sea usado por niños o por personas que desconocen las instrucciones. La normativa local puede restringir la edad del operador;

- c) El operador o usuario es responsable de los accidentes o peligros que se produzcan a otras personas o propiedades.

Preparación

- a) Asegúrese de que la instalación del alambre delimitador es correcta y se ha hecho según las instrucciones.
- b) Revise periódicamente el área donde el aparato se va a utilizar y elimine todas las piedras, palos, cables, huesos y otros objetos extraños.
- c) Periódicamente realice una inspección visual para comprobar que las cuchillas, los pernos de las cuchillas y el montaje del equipo de corte no estén desgastados o dañados. Cambie el juego completo de cuchillas y pernos para conservar el equilibrio.
- d) Tenga cuidado con los equipos que presentan un sistema multieje porque el giro de una hoja puede provocar que las otras hojas también giren.
- e) ¡ADVERTENCIA! La cortadora de césped no debe utilizarse sin el protector.

Funcionamiento

1. Aspectos generales

- a) Nunca haga funcionar el aparato con los protectores defectuosos o sin los dispositivos de seguridad, por ejemplo, los deflectores, en su sitio;
- b) No ponga las manos ni los pies cerca o debajo de las partes giratorias. Manténgase alejado de la apertura de descarga en todo momento;
- c) Nunca levante o transporte el aparato con el motor en marcha;
- d) Accionar el dispositivo de desconexión del aparato:
 - Antes de despejar un obstáculo;
 - Antes de inspeccionar, limpiar o trabajar con el equipo;
 - Tras golpear un objeto extraño para inspeccionar si la máquina tiene daños;
 - Si la máquina empieza a vibrar anormalmente, para comprobar si hay daños antes de volver a arrancar.
- e) No se permite modificar el diseño original del robot cortacésped. Todas las modificaciones se hacen bajo su propio riesgo.
- f) Ponga en marcha el robot cortacésped según las instrucciones. Cuando se enciende la alimentación, hay que asegurarse de que manos y pies estén alejados de las cuchillas rotatorias. Nunca

ponga los pies o las manos debajo del cortacésped.

- g) Nunca elevar el robot cortacésped ni transportarlo si está encendido.
- h) No permita que el robot cortacésped sea usado por personas que desconocen su funcionamiento.
- i) No ponga nada encima del robot cortacésped o el cargador.
- j) No permita que se use el robot cortacésped con una cuchilla de corte o mecanismo defectuoso. Tampoco se debe utilizar con cuchillas, tornillos, tuercas o cables defectuosos.
- k) Apague el robot cortacésped siempre que no tenga intención de utilizarlo. El robot cortacésped únicamente se puede poner en marcha si está encendido y se ha introducido el código PIN correcto.
- l) Mantenga las manos y los pies alojados de las hojas en movimiento. No coloque nunca las manos o los pies cerca o debajo del cuerpo del cortacésped robótico cuando esté en funcionamiento.
- m) La máquina y sus dispositivos periféricos no se deben utilizar cuando haga mal tiempo, especialmente si existe riesgo de tormenta eléctrica.
- n) No toque las piezas móviles peligrosas hasta que se hayan parado por completo.
- o) Para usar máquinas en áreas públicas, los signos de advertencia deben colocarse en lugares donde la máquina está en funcionamiento. Ellos deberían enseñar el significado del siguiente texto:
Advertencia! Cortacésped automático!
Manténgase lejos de la máquina! Vigile a los niños!

2. En el caso de que el equipo funcione automáticamente

- a) No deje que el aparato funcione sin vigilancia si sabe que hay animales domésticos, niños o personas en los alrededores.

Mantenimiento y almacenamiento



¡ADVERTENCIA! Cuando se pone boca abajo, el cortacésped la alimentación debe estar apagada. La alimentación debe estar apagada durante cualquier trabajo que se realice en el bastidor inferior del cortacésped, como la limpieza o la sustitución de las cuchillas.

- a) Mantenga todas las tuercas, pernos y

tornillos apretados para unas condiciones de trabajo seguras.

- b) Por su seguridad inspeccione el robot cortacésped cada semana y sustituya las piezas desgastadas o dañadas;
- c) Compruebe que las cuchillas y el disco de corte no están dañados. Cuando sea necesario cambie las cuchillas y los tornillos al mismo tiempo a fin de que las partes giratorias estén equilibradas.
- d) Asegúrese de que las partes cortantes que se sustituyen son del tipo correcto.
- e) Asegúrese de que las baterías se cargan con el cargador correcto recomendado por el fabricante. El uso incorrecto puede provocar descargas eléctricas, sobrecalentamiento o una fuga del líquido corrosivo de la batería;
- f) En el caso de que se produzca una fuga de electrolito y se mezcle con agua o agente neutralizante, busque ayuda médica si entrara en contacto con los ojos, etc.;
- g) La asistencia técnica del equipo se debería realizar de acuerdo con las instrucciones del fabricante.

Recomendación

Conecte la máquina y sus dispositivos periféricos únicamente a un circuito de alimentación protegido mediante un interruptor diferencial (ID) con una corriente de disparo que no sea superior a 30 mA.

Riesgos residuales

Para evitar lesiones, utilice guantes de protección para sustituir las cuchillas.

Transporte

Para el transporte del robot cortacésped a largas distancias, se debe utilizar el embalaje original.

Para un traslado seguro desde o dentro de la zona de trabajo:

- a) Pulse el botón STOP para detener la segadora.
Selecciona los cuatro dígitos del PIN cuando utiliza la segadora por primera vez.
- b) Apague el robot cortacésped siempre que tenga intención de transportarlo.
- c) Lleve el cortacésped por el mango de la parte trasera. Lleve el cortacésped con el disco de corte lejos del cuerpo.

Requisitos expuestos RF

Para satisfacer los requisitos expuestos RF, una

separación de 200mm o más debería de ser mantenida entre el dispositivo y las personas durante sus operaciones.

Para garantizar la conformidad, no se recomiendan operaciones a una distancia menor a esta distancia. La antena utilizada para este transmisor no debe colocarse junto con ninguna otra antena o transmisor.

Este es un aparato de clase III y deber ser alimentados solo con muy baja tensión de seguridad según el marcado en el aparato.

Advertencias de seguridad para la batería del interior de la herramienta

- a) **No desmonte, abra o destruya las pilas o las baterías recargables.**
- b) **No provoque un cortocircuito en la batería. No almacene las baterías de forma descuidada en una caja o cajón donde podría provocar un cortocircuito entre ellas o mediante otros objetos metálicos.** Cuando la batería no esté siendo utilizada, manténgala alejada de objetos metálicos, como clips de papel, monedas, llaves, clavos, tornillos u otros objetos metálicos pequeños, que pueden posibilitar la conexión de un borne con otro. Al provocar un cortocircuito con los bornes de la batería se pueden sufrir quemaduras o generar un incendio.
- c) **No exponga las baterías al calor o al fuego. No las guarde expuestas directamente al sol.**
- d) **No exponga las baterías a impactos mecánicos.**
- e) **En caso de que la batería tenga fugas de líquido, no permita que el líquido entre en contacto con la piel o los ojos. Si se produce el contacto, lave la zona afectada con grandes cantidades de agua y acuda a un médico.**
- f) **Mantenga las baterías limpias y secas.**
- g) **Recargue solo con el cargador indicado por Kress. No utilice ningún otro cargador que no sea el específicamente proporcionado para el uso con este equipo.**
- h) **No utilice ninguna batería distinta a la diseñada para utilizarse con el aparato.**
- i) **Mantenga la batería fuera del alcance de los niños.**
- j) **Conserve la documentación original del producto por si tuviera que consultarla en otro momento.**
- k) **Deshágase del producto correctamente.**

- l) **No mezcle celdas de diferente fabricación, capacidad, tamaño o tipo dentro de un mismo dispositivo.**
- m) **Mantener la batería lejos de microondas y de alta presión.**
- n) **¡Advertencia! No utilice baterías no recargables.**

Requisitos del manual de usuario para el producto inalámbrico

- a) El funcionamiento de este dispositivo está sujeto a las siguientes condiciones:
 - (1) Este dispositivo no puede causar interferencias perjudiciales, y
 - (2) debe aceptar cualquier interferencia recibida, incluyendo las que puedan causar un funcionamiento indeseado.
- b) Precaución: Los cambios o modificaciones a este aparato que no estén expresamente aprobados por la parte responsable del cumplimiento podrían anular la autoridad del usuario para utilizar el equipo.
- c) NOTA: Este equipo genera, usa y puede radiar energía de radiofrecuencia y, si no se instala y usa de acuerdo con las instrucciones, puede causar interferencias perjudiciales para las comunicaciones de radio. Sin embargo, no se garantiza que no ocurran interferencias en una instalación particular. Si este equipo causa interferencias perjudiciales en la recepción de radio o televisión, lo cual puede determinarse apagando y encendiendo el equipo, se recomienda al usuario que intente corregir las interferencias mediante una o varias de las siguientes medidas:
 - Reoriente o reubique la antena receptora.
 - Aumente la distancia entre el equipo y el receptor.
 - Conecte el equipo a una toma de corriente de un circuito diferente al que está conectado el receptor.
 - Consulte con el proveedor o un técnico con experiencia en radio/TV para obtener ayuda.

Símbolos



ADVERTENCIA –EL ROBOT CORTACÉSPED puede ser peligroso si se usa incorrectamente. Lea con atención el Manual de Usuario y entienda su contenido antes de usar su ROBOT CORTACÉSPED.



Las baterías pueden entrar en el ciclo del agua si se desechan incorrectamente, lo que puede ser peligroso para el ecosistema. No deseche las baterías inútiles como residuos municipales sin clasificar.



ADVERTENCIA - Manténgase a una distancia segura mientras la máquina esté en funcionamiento.



No lave la máquina utilizando agua a alta presión.



ADVERTENCIA – Apague la máquina antes de trabajar en ella o levantarla.



Leer el manual de operador



ADVERTENCIA –No use la máquina como medio de transporte.



Unidad de alimentación desmontable



Dispositivo de clase III



Los residuos de aparatos eléctricos y electrónicos no deben depositarse en la basura doméstica. Se deben reciclar en las instalaciones especializadas. Consulte a las autoridades locales o el establecimiento para saber cómo reciclar estos productos.

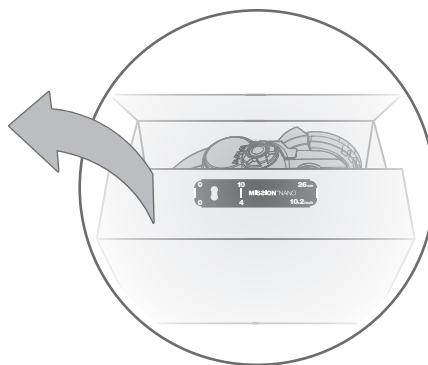
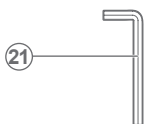
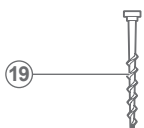
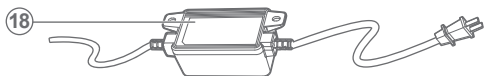
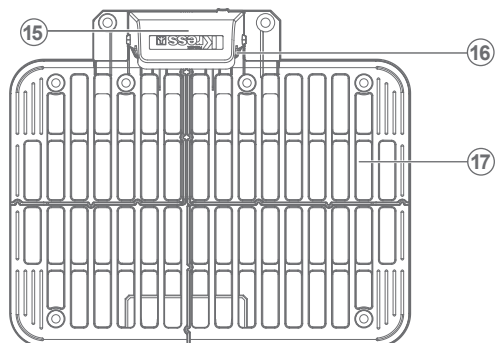
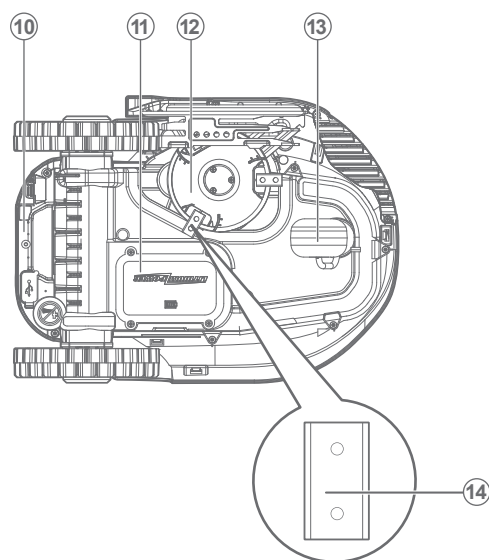
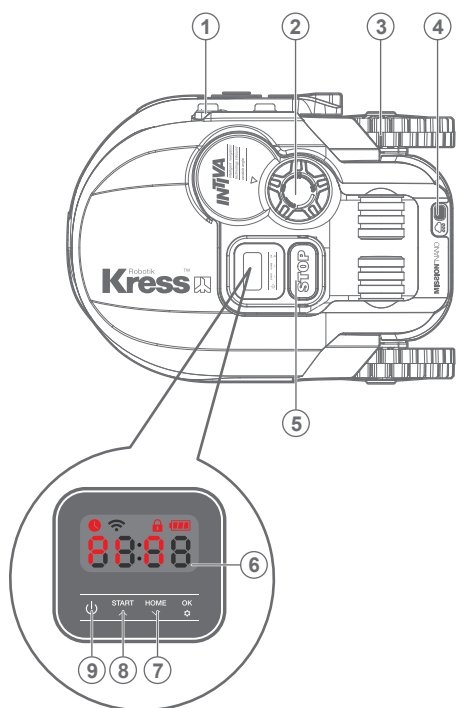


Batería de iones de litio. Este producto está marcado con un símbolo que indica que todas las pilas y baterías se deben desechar de forma especial. Seguidamente, esos componentes se reciclarán o desarmarán para reducir el impacto en el medio ambiente. Las baterías pueden ser peligrosas para el medio ambiente y para la salud humana, ya que contienen sustancias peligrosas.



No incinerar

Lista de componentes



- | | |
|--|--|
| 1. Pletina de carga | 12. Disco girador de la cuchilla |
| 2. Mando de ajuste de la altura de corte | 13. Ruedas delanteras |
| 3. Rueda de tracción trasera | 14. Hoja de la cuchilla |
| 4. Sensor de lluvia | 15. Cubierta protectora |
| 5. Botón stop (detener) | 16. Patillas de contacto |
| 6. Monitor | 17. Base de carga |
| 7. Botón home | 18. Adaptador de alimentación |
| 8. Tecla start | 19. Clavos de retención de la base de carga |
| 9. Tecla de encendido y apagado | 20. Medidor de distancia del cable delimitador |
| 10. Mango | 21. Llave allen |
| 11. Batería | |


Datos técnicos

Modelo **KR101E (100-199 - denominaciones de maquinaria, representantes de Robot Cortacesped)**

Tensión nominal	20 V $\overline{=}$ Max.*
Velocidad en vacío	2800 /min
Área de corte	600 m ²
Diámetro de corte	18 cm
Altura de corte	30-60 mm
Posiciones de altura de corte	4
Tipo de batería	Litio
Modelo de la batería	KA3022
Tiempo de carga aprox.	105 min
Modelo del cargador	KA0200 / KA0201
Datos nominales del cargador	Entrada: 100-240 V~50/60 Hz, 38 W, Salida: 20 V, 1.5 A
Peso de la Máquina	8.95 kg
Clase de protección	III
Aplicación	Y
Pendiente máxima dentro de la superficie de trabajo	35%
Bandas de frecuencia para Bluetooth (MHz)	2400-2483.5 MHz
Potencia transmitida máxima para Bluetooth (dBm)	8 dBm
Banda de frecuencias para Wi-Fi (MHz)	2400-2483.5 MHz
Máxima potencia transmitida para Wi-Fi (dBm)	20 dBm
Banda de frecuencia de los sistemas de bucle inductivo.	77 Hz
Potencia máxima de radiofrecuencia de los sistemas de bucle inductivo.	82 dB μ A/m

* Voltaje medido sin carga. El voltaje inicial máximo de la batería es de 20 voltios. El voltaje nominal es de 18 voltios.

Información de ruido

Nivel de presión acústica de ponderación	$L_{pA} = 45.5 \text{ dB (A)}, K_{pA} = 0.6 \text{ dB(A)}$
Nivel de potencia acústica de ponderación	$L_{wA} = 65.5 \text{ dB (A)}, K_{wA} = 0.6 \text{ dB(A)}$
Úsese protección auditiva cuando la presión acústica sea mayor a	80 dB(A) 

Es inevitable un cierto grado de ruido procedente de la máquina. El trabajo con maquinarias ruidosas está sujeto a licencia y debe estar limitado a determinados periodos. Respete los periodos de descanso y puede que sea necesario restringir las horas de trabajo al mínimo. Para su protección personal y la de las personas que trabajen cerca, debe usar una protección auditiva adecuada.

Accesorios

Tornillos	9
Base de carga	1
Estacas de sujeción de la base de carga	8
Llave Allen	1
70 Patrón de medida para el alambre delimitador	2
Es Cuchillas	9
Batería (KA3022)	1
Cargador (KA0200 / KA0201)	1

Recomendamos que adquiera todos sus accesorios en el mismo comercio donde compró la herramienta. Consulte los estuches de los accesorios para más detalles. El personal del comercio también puede ayudar y aconsejar.

Utilización reglamentaria

Este producto ha sido proyectado para utilizarse en el área doméstica. Se ha diseñado para cortar el césped con frecuencia, permitiéndole disfrutar de un césped más verde y de mejor aspecto como nunca antes. Según el tamaño de su jardín, Mission™NANO puede programarse para funcionar en cualquier momento o con la frecuencia que desee. No está diseñado para cavar, barrer ni quitar nieve.

Mantenimiento

Tiene que revisar su Mission™NANO de vez en cuando. El Mission™NANO trabaja mucho y después de un tiempo necesita una buena limpieza, así como reemplazar aquellas partes que se hayan podido desgastar. Nunca use su Mission™NANO si el interruptor On/Off está defectuoso.

Apague la máquina antes de realizar cualquier servicio técnico o mantenimiento.

En los siguientes apartados queremos informarle de cómo hacer que su nuevo Mission™NANO se adapte a su nuevo hogar y darle el mejor cuidado posible.

1

Mantenerlo afilado

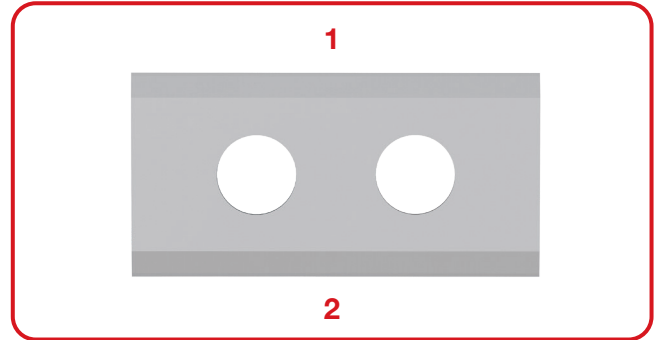


ADVERTENCIA: Antes de limpiar, ajustar o reemplazar las hojas, apague su Mission™NANO OFF y póngase guantes de protección.



ADVERTENCIA: Para sustituir la cuchilla, asegúrese de cambiar todas las hojas si cambia una. Utilice siempre tornillos nuevos para instalar las cuchillas. Esto es importante para asegurarse de que las cuchillas queden fijadas correctamente y que el disco de rotación de las cuchillas esté bien equilibrado. La no utilización de tornillos nuevos podría ocasionar lesiones graves.

El Mission™NANO no corta el césped como las otras cortadoras. Las cuchillas son como un cuchillo afilado en los 4 bordes y gira en ambas direcciones para obtener una capacidad máxima de corte. Cada hoja de su Mission™NANO tiene 4 bordes de corte. El disco de corte realiza una rotación hacia delante y hacia atrás de forma aleatoria para usar 4 filos de corte. Esto ayuda a minimizar la frecuencia con que debe sustituirse la cuchilla de corte. Y con el material nuevo, la vida útil de cada cuchilla de corte será 3 veces más larga que la de otras marcas cuando esté programada para obrar todos los días. Siempre revise si las cuchillas están astilladas o dañadas y cámbielas si lo están. Cuando la hoja de corte esté roma o desgastada, se debe cambiar por una hoja de repuesto proporcionada con su Mission™NANO. También puede obtener las hojas de repuesto en su distribuidor de Kress más cercano.



A. Sustituir las cuchillas

Usualmente las cuchillas de Mission™NANO deben invertirse cada mes y sustituirse cada 2 meses. Así que cuando cambie las cuchillas, asegúrese de cambiarlas todas al mismo tiempo. Se pueden reemplazar con uno de los conjuntos de cuchillas de repuesto y tornillos adicionales suministrados con el Mission™NANO.

Antes de proceder a cambiar las cuchillas del Mission™NANO, apague el cortacésped y póngase guantes de protección. Luego siga los pasos siguientes:

1. Ponga el Mission™NANO del revés con delicadeza.
2. Extraiga la cubierta de la batería y la batería.
3. Saque los tornillos de las cuchillas con un destornillador de punta plana.
4. Atornille las hojas nuevas firmemente.
5. Vuelva a instalar la batería y la cubierta de la batería.

Importante: Después de enroscar las cuchillas al disco de corte, asegúrese de que el disco puede girar libremente.



2

Manténgalo limpio



ADVERTENCIA: Antes de la limpieza, apague su Mission™NANO. Póngase guantes de protección antes de limpiar el disco de corte y no utilice agua corriente.

A. Limpieza del mecanismo

El Mission™NANO tendrá una vida mucho más saludable y larga más si se limpia con regularidad. Tenga en cuenta que su Mission™NANO es una máquina eléctrica, por lo que deberá tener cuidado al limpiarla, **NO utilice una manguera, ni agua a alta presión ni vierta agua de ninguna otra manera sobre su Mission™NANO**, es mejor utilizar un atomizador lleno con agua. Al limpiar la carcasa de plástico utilice un cepillo suave o un paño limpio y evite el uso de solventes o limpiadores. Por último, asegúrese de retirar toda la acumulación de restos de césped y residuos, especialmente de las rejillas de ventilación del motor.



B. Limpieza de la parte inferior

Una vez más, es importante que apague el Mission™NANO y use guantes de protección antes de tocar el disco de corte.

En primer lugar, coloque la Mission™NANO boca abajo para exponer la parte inferior. Aquí verá el disco de corte, la caja del motor y las ruedas delanteras y motrices. Limpie todo a fondo con un cepillo suave o un paño húmedo.



ADVERTENCIA: NUNCA limpie los bajos del Mission™NANO con un chorro de agua. Podría dañar los componentes.

Gire el disco de corte para asegurarse de que gira libremente. Compruebe que las cuchillas giran libremente sobre los tornillos de fijación. Quite cualquier obstrucción que se haya podido generar.

IMPORTANTE: Elimine todos los residuos para que no se resquebraje el disco de corte. La más pequeña fisura puede disminuir el rendimiento de corte de su Mission™NANO.



C. Limpie las patillas de los contactos y las regletas de carga

Mediante un paño, limpie la patilla de contacto situada en la base de carga y la regleta de carga situada en su Mission™NANO. Quite cualquier resto de hierba cortada alrededor de las patillas de contacto y las regletas de carga para garantizar que su Mission™NANO se carga correctamente en todo momento.



3

Duración de la batería

El corazón del Mission™NANO es la Batería de Litio de 20 voltios. Para un almacenamiento correcto de la batería, asegúrese de que está totalmente cargada y en un lugar fresco y seco ($20^{\circ}\text{C} \pm 5^{\circ}\text{C}$).

NOTA: La temperatura de funcionamiento recomendada para el Mission™NANO es de $0^{\circ}\text{C} - 45^{\circ}\text{C}$.

La vida útil de la batería del Mission™NANO depende de varios factores, tales como:

- Duración de la temporada de corte en su región
- Cantidad de horas que el Mission™NANO funciona diariamente
- La forma de tratar la batería durante el almacenamiento

El Mission™NANO puede ser cargado manualmente sin el cable de límites.

1. Conecte la Base de Carga a una toma de corriente adecuada. La luz verde de la base de carga se encenderá.
2. Conecte manualmente el Mission™NANO en la Base de Carga mientras el Mission™NANO está apagado.
3. Luz verde intermitente en la base de carga. Se inicia el proceso de carga del Mission™NANO.



4

Hibernación

Su Mission™NANO vivirá más tiempo y más saludable si se le permite hibernar. Así que, aunque es pesado, le recomendamos que durante el invierno guarde el Mission™NANO en el cobertizo o en el garaje.

Antes de poner su Mission™NANO a hibernar, debe asegurarse de:

- Limpiar a fondo su Mission™NANO
- Cargar completamente la batería
- Voltear el cortacésped

Para maximizar la vida útil de la batería, le recomendamos que la cargue totalmente antes de almacenarla durante el invierno.

⚠ ADVERTENCIA: Proteja los bajos del Mission™NANO frente al agua. NUNCA almacene el Mission™NANO cara arriba al aire libre si con ello queda expuesto al agua.

El cable delimitador se puede dejar en el suelo, pero se deberían proteger los extremos, por ejemplo, colocándolos dentro en una lata con grasa. Si la base de carga queda fuera durante el invierno, deje el cable delimitador conectado.

NOTA: Cuando vuelva a usar el Mission™NANO después de la hibernación, asegúrese de que las bandas de carga y patillas de contacto están limpias, lo mejor es usar un paño muy suave. En la aplicación, compruebe que la fecha y la hora sean correctas y devuelva el Mission™NANO a lo que mejor se le da: cortar el césped.

5

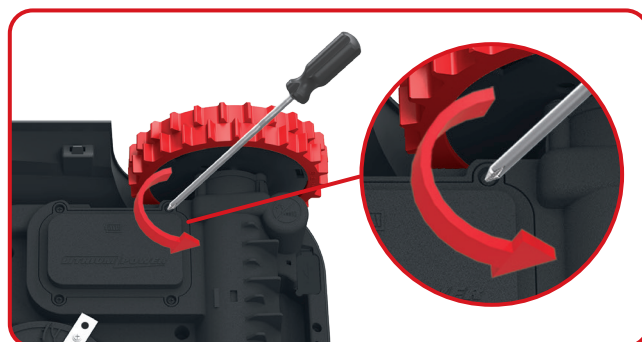
Sustituir la Batería

⚠ ADVERTENCIA: Pulse el botón ON/OFF en OFF antes de realizar cualquier ajuste, sustitución o reparación.

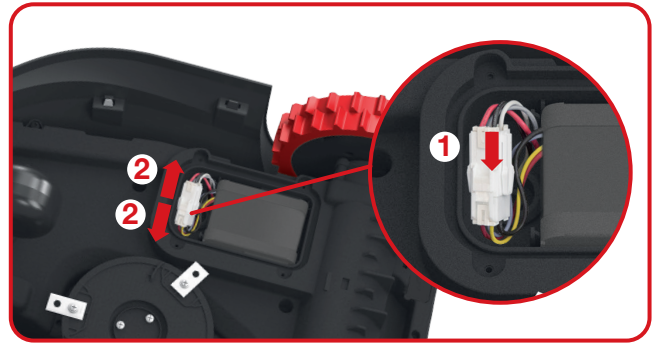
Antes de reemplazar las hojas, apague su Mission™NANO OFF y póngase guantes de protección.

Si necesita reemplazar la batería, siga estos pasos:

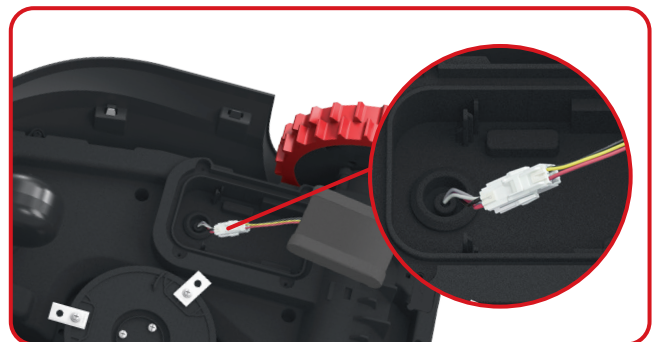
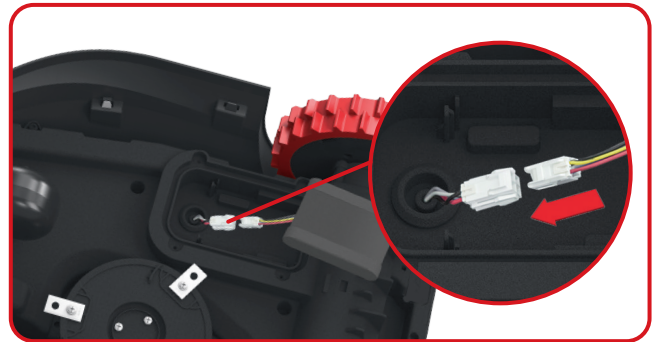
1. Ponga el Mission™NANO del revés con delicadeza.
2. Retire los tornillos de la batería. Retire la cubierta de la batería.



3. Levante la batería con cuidado. Presione el enganche y suelte los conectores.
NOTA: No la sujete por los cables. Sostenga los conectores y libere el pestillo.



4. Para instalar una nueva batería original, conecte los conectores entre sí hasta que la batería quede sujeta a su posición.



5. Instale la batería tal como se muestra. Vuelva a instalar la cubierta en su posición y apriete bien los tornillos.



Mensajes de error

A veces se las cosas van mal. Afortunadamente, el Mission™NANO es lo bastante inteligente como para decirle si tiene un problema y que pueda solucionarlo. Si tiene dudas, visite nuestro sitio web, donde encontrará útiles vídeos y más ayuda.

MENSAJE	CAUSA	ACCIÓN
EE	Error desconocido.	Póngase en contacto con el servicio de atención al cliente.
F I	Retraso por lluvia.	El Mission™NANO empezará cuando la lluvia pare y transcurra el retraso por lluvia.
E I	Falta cable delimitador O el Mission™NANO está fuera del cable.	<ol style="list-style-type: none"> 1. Si en realidad el Mission™NANO está fuera de su área de trabajo: apáguelo y llévelo dentro de su área de trabajo. Enciéndalo. Pulse START. 2. Si el Mission™NANO está dentro de su área de trabajo, compruebe si el LED de la base de carga está verde. Si no lo está, verifique que la base de carga está conectada correctamente al cargador y que este está conectado a una fuente de alimentación adecuada. Si están bien conectados, entonces los terminales del cable delimitador se habrán colocado en los sujetacables de forma incorrecta y habrá que invertirlos. 3. Invierta los extremos del cable delimitador.
E 2	Fallo de las ruedas motrices.	<p>Apague el Mission™NANO y llévelo a un área sin obstáculos. Enciéndalo. Pulse START.</p> <p>Si sigue apareciendo el mensaje de error, apague el Mission™NANO. Ponga el Mission™NANO boca arriba y compruebe si hay algo que impida que las ruedas giren.</p> <p>Quite cualquier obstrucción que pueda haber, ponga el Mission™NANO sobre las ruedas y enciéndalo.</p>
E 3	Fallo de la cuchilla.	<p>Apáguelo.</p> <p>Ponga el Mission™NANO boca arriba, utilice guantes de seguridad para evitar lesiones y compruebe si hay algo que impida que el disco de corte gire.</p> <p>Retire cualquier obstrucción que observe.</p> <p>Lleve el Mission™NANO a un área con hierba corta o configure la altura de corte.</p> <p>Enciéndalo. Pulse START.</p>
E 4	Error: atrapado.	<p>Apáguelo.</p> <p>Lleve el Mission™NANO a un área del césped sin obstáculos y enciéndalo. Pulse START.</p> <p>Si sigue apareciendo el mensaje de error, apague el Mission™NANO y póngalo boca arriba. Compruebe si hay algo que impida que las ruedas giren.</p> <p>Retire cualquier obstrucción que observe, ponga el Mission™NANO sobre las ruedas y enciéndalo.</p>
E 5	Error: levantado.	<p>Apáguelo.</p> <p>Lleve el Mission™NANO a un área sin obstáculos y enciéndalo. Pulse START.</p> <p>Si sigue apareciendo el mensaje de error, apague el Mission™NANO y póngalo boca arriba. Compruebe si hay algo que pueda haber hecho que se levante.</p> <p>Retire cualquier objeto que pueda haber, ponga el Mission™NANO sobre las ruedas y enciéndalo.</p>
E 6	Error: boca arriba (inclinado).	Ponga el Mission™NANO sobre las ruedas.

E7	Error de carga de la batería.	<p>1) La temperatura es demasiado alta (más de 55 °C) durante la carga. Ponga la base de carga en un área a la sombra o espere a que baje la temperatura.</p> <p>2) La temperatura de la batería es demasiado baja. La temperatura exterior no permite que el Mission™NANO pueda funcionar. Es el momento de guardarlo durante el invierno.</p> <p>3) Mala conexión: compruebe que la conexión entre las clavijas de contacto de la base de carga y la barra de contacto están correctas, y que la base de carga está sobre un terreno perfectamente llano.</p> <p>4) La fuente de alimentación está averiada: póngase en contacto con el servicio de atención al cliente.</p>
E8	Error: tiempo de espera para encontrar la base superado.	<p>1) La base de carga está mal situada (no está sobre terreno llano), el Mission™NANO no encuentra las clavijas y no se para. Compruebe la base.</p> <p>2) El Mission™NANO se queda sin batería antes de llegar a la base de carga. La longitud del cable delimitador no debe superar los 350 metros.</p>
E9	Con la función «Lock Function» habilitada, si el Mission™NANO no recibe una señal de su rúter wifi durante 3 días, se bloqueará como medida de seguridad. Esto podría deberse a que el rúter se haya quedado sin alimentación, o a que ha cambiado de rúter wifi o de proveedor de Internet.	<p>Vuelva a conectar el Mission™NANO a la red wifi a la que se había conectado originalmente.</p> <p>De no ser posible, póngase en contacto con el servicio de atención al cliente.</p>
E4:60 E4:61 E4:62 E4:63 E4:64	Fallo de actualización del software del módulo.	<p>Compruebe que el módulo está conectado correctamente.</p> <p>Compruebe que el archivo que se ha copiado en la memoria USB no está dañado.</p> <p>Apague y encienda el dispositivo y vuelva a intentar realizar la actualización del software.</p>
E4:50 E4:51 E4:52 E4:80 E4:81 E4:82 E4:83 E4:84 EF:80	Fallo de actualización del software.	<p>Intente realizar la actualización del software de nuevo o póngase en contacto con el servicio de atención al cliente.</p>

NOTAS


- Antes de encender el Mission™NANO, compruebe siempre si está dentro de su área de trabajo.
- Si, por cualquier motivo (como una fiesta, niños jugando), quiere aparcar el Mission™NANO en la base de carga, pulse la tecla de inicio y OK. El Mission™NANO volverá a la base de carga y se quedará allí. Tenga en cuenta que el Mission™NANO esperará hasta la próxima sesión de corte programada. Si quiere volver a poner el Mission™NANO en marcha en cualquier momento, pulse START y OK.
- Si un error se repite en la misma área del césped, puede que tenga un problema con el cable delimitador, así que consulte las instrucciones de instalación y compruebe que si la configuración es correcta.
- Si el césped está dividido en dos áreas separadas, conectadas por un pasillo de menos de 1 m de anchura, una de las cuales no está equipada con la base de carga: cuando el Mission™NANO se quede sin carga, llévelo manualmente a la base de carga.
- Si el Mission™NANO muestra un funcionamiento anormal cada cierto tiempo, reinícielo. Para ello, apáguelo, extraiga la batería durante 30 segundos y vuelva a ponerlo en marcha. Si el problema no se puede resolver, póngase en contacto con el servicio de atención al cliente para recibir ayuda.

Problemas durante la instalación

Si su Mission™NANO no funciona correctamente, siga esta Guía de Resolución de Problemas. Si el problema persiste, contacte con su distribuidor.

Síntoma	Causa	Acción
El indicador LED de la estación de carga no se enciende.	No hay alimentación.	Compruebe que el cable de alimentación está conectado correctamente al cargador y que el cargador está conectado a una fuente de alimentación adecuada.
La luz roja de la base de carga se enciende.	El cable delimitador no está conectado.	Compruebe que el cable delimitador se ha conectado correctamente a la base de carga. Compruebe que no hay ninguna interrupción en el cable delimitador, especialmente en los extremos del cable.
Su Mission™NANO está dentro de su territorio y el cable delimitador está conectado. Pero en la pantalla se muestra “- E !-”.	Los extremos del cable delimitador están fijados de forma incorrecta.	Invierta los extremos del cable delimitador.
Mission™NANO no se puede conectar correctamente a la Base de Carga.	Influencia medioambiental.	Reinicie el Mission™NANO.
	Mala conexión debido a la contaminación de la banda de carga.	Limpie la patillas de contacto de la base de carga y la banda de carga de la máquina con un paño.
El Mission™NANO se sale del cable delimitador. EL Mission™NANO no corta un área dentro de la zona del cable delimitador. El Mission™NANO invierte la marcha o gira de forma errónea cerca del cable delimitador.	El cable delimitador de otro Mission™NANO u otro robot cortacésped está excesivamente cerca.	Compruebe que el cable delimitador de su Mission™NANO está al menos a 1m de distancia de otro límite.
	El cable de límites ha sido instalado con esquinas puntiagudas.	Compruebe el cable de límites para suavizar las esquinas.
	En condiciones con agua o humedad, la señal eléctrica del cable delimitador puede perderse en las zonas en las que el cable se ha unido o reparado.	Compruebe las juntas de unión del cable delimitador. Aíslelas para proporcionar una conexión totalmente impermeable.
	Hay una pérdida de la señal eléctrica del cable delimitador debido a un aislamiento roto.	Repare el aislamiento del cable delimitador dañado y sus conectores.
	El área de corte es superior al área de corte permitida para el Mission™NANO.	Reduzca la zona de corte.
El Mission™NANO se sale del límite del cable debido a un exceso de velocidad cuando va cuesta abajo	El Cable Delimitador está colocado sobre una pendiente con una inclinación superior a un 17% (10°).	Recoloque el Cable Delimitador lejos de pendientes que tengan una inclinación superior a un 17% (10°).

Protección ambiental

 Los residuos de equipamientos eléctricos y electrónicos no deben depositarse con las basuras domésticas. Se recogen para reciclarse en centros especializados. Consulte las autoridades locales o su distribuidor para obtener información sobre la organización de la recogida.

Declaración de conformidad

Los que reciben,
Positec Germany GmbH
Postfach 32 02 16, 50796 Cologne, Germany

En nombre de Positec declaran que el producto,
Descripción **Robot Cortacesped**
Modelo **KR101E (100-199 - denominaciones de maquinaria, representantes de Robot Cortacesped) (El número de serie se encuentra en la última página.) con cargador de batería KA0200 / KA0201 y base de carga KA0071**
Función **Corte de césped**

Cumple con las siguientes Directivas,
2006/42/EC, 2014/30/EU, 2014/35/EU, 2011/65/EU&(EU)2015/863, 2000/14/EC modificada por 2005/88/EC, 2014/53/EU

2000/14/EC modificada por 2005/88/EC

- Procedimiento de evaluación de la conformidad de acuerdo con **Annex V**
- Nivel de presión acústica **65.5 dB (A)**
- Nivel de intensidad acústica **67 dB (A)**

78

Es

El organismo notificado Intertek, Semko AB, NB-No. 0413 ha realizado un examen de tipo UE de acuerdo con la directiva 2014/53/EU y ha expedido el siguiente certificado de examen de tipo UE: SE-RED-2200106

Normativas conformes a,

Para cortacésped: EN 50636-2-107:2015+A1:2018+A2:2020+A3:2021, EN 60335-1:2012+A11:2014+A13:2017+A1:2019+A2:2019+A14:2019+A15:2021, EN IEC 62311:2020, EN IEC 55014-1:2021, EN IEC 55014-2:2021, EN IEC 61000-3-2:2019+A1:2021, EN 61000-3-3:2013+A1:2019+A2:2021

Para sistema de bucle de inducción: EN 303 447 V1.1.1

Para módulo WIFI (2.4G) y Bluetooth: EN 55011:2016+A11:2020

For Bluetooth & WIFI module (2.4G): EN 301 489-1 V2.2.3, EN 301 489-17 V3.2.4, EN 300 328 V2.2.2

Para cargador: EN IEC 55014-1:2021, EN IEC 55014-2:2021, EN IEC 61000-3-2:2019+A1:2021, EN 61000-3-3:2013+A1:2019+A2:2021, EN IEC 60335-2-29:2021+A1:2021, EN 60335-1:2012+A11:2014+A13:2017+A1:2019+A2:2019+A14:2019+A15:2021, EN 62233:2008

Para ruido: EN ISO 3744:2005

Para RoHS: EN IEC 63000:2018

La persona autorizada para componer el archivo técnico,

Firma **Marcel Filz**

Dirección **Positec Germany GmbH Postfach 32 02 16, 50796 Cologne, Germany**



2023/09/19

Allen Ding

Ingeniero Jefe Adjunto. Pruebas y Certificación

Positec Technology (China) Co., Ltd.

18, Dongwang Road, Suzhou Industrial

Park, Jiangsu 215123, P. R. China

Gebruikers kunnen de elektronische gebruiksaanwijzingen bekijken op <https://www.kress.com/en/>.

Productveiligheid

Algemene & extra veiligheidsinstructie



WAARSCHUWING! Lees alle instructies zorgvuldig door. *Indien u zich niet aan alle onderstaande instructies houdt, kan dat leiden tot een elektrische schok, brand en/of ernstig letsel.*

Lees de instructies aandachtig voor een veilig gebruik van de machine. Bewaar alle waarschuwingen en instructies voor latere naslag.

- Dit apparaat is niet bedoeld voor gebruik door personen (waaronder kinderen) met verminderde fysieke of mentale capaciteiten of een verminderd waarnemingsvermogen, tenzij ze voor gebruik van het apparaat toezicht en instructie krijgen van iemand die verantwoordelijk is voor hun veiligheid.
- Kinderen moeten onder toezicht worden gehouden om te verzekeren dat ze niet met het apparaat spelen.
- De batterij in dit apparaat mag alleen worden vervangen door geschoold personeel. **WAARSCHUWING:** Gebruik voor het opladen van de batterij alleen de verwijderbare voedingseenheid die bij het apparaat wordt geleverd.

**BELANGRIJK
LEES ALLE INSTRUCTIES ZORGVULDIG
DOOR.
BEWAAR ALLE WAARSCHUWINGEN EN
INSTRUCTIES VOOR LATERE NASLAG**

Veilige Bediening Instructies

- Lees de instructies nauwkeurig door. Zorg ervoor dat u de instructies begrijpt en dat u bekend bent met de bedieningsorganen en het juiste gebruik van het toestel;
- Sta niet toe dat het toestel gebruikt wordt door personen die niet bekend zijn met deze instructies of door kinderen. Plaatselijke voorschriften kunnen een grens leggen aan de leeftijd van de gebruiker;
- De gebruiker is verantwoordelijk voor ongevallen en gevaren die optreden met andere personen of hun eigendommen.

Vorbereitung

- Zorg ervoor dat de grensdraad correct wordt geïnstalleerd volgens de instructies.
- controleer het gebied waarin het toestel gebruik wordt geregeld. Verwijder alle stenen, stokken, draden, botten en ander vreemde voorwerpen.
- Inspecteer de messen, bouten en het snijmechanisme geregeld op slijtage en schade. Vervang versleten en beschadigde messen en bouten gelijktijdig, zodat de balans behouden blijft.
- Bij toestellen met meerdere assen let u erop dat het draaien van het ene mes ook het ander mes in beweging brengt.
- WAARSCHUWING!** De grasmaaier mag niet worden gebruikt zonder dat de afscherming op zijn plaats is.

Bediening

1. Algemeen

- Gebruik het toestel niet met een defecte kap of zonder dat de veiligheidsmiddelen, zoals de, af buigers op hun plaats zitten;
- Steek geen handen of voeten in de buurt van de draaiende delen. Houd steeds afstand van de; uitwerp opening
- Til het toestel niet op en vervoer het niet terwijl het in werking is;
- Bedien de uitschakelinrichting van het apparaat:
 - Voordat u een blokkering verwijdert;
 - Voordat u de machine controleert, schoonmaakt of onderhoudt;
 - Om de machine op schade te controleren nadat u een vreemd voorwerp hebt geraakt;
 - Als de machine abnormaal begint te trillen, en deze te controleren op schade alvorens weer opnieuw in te schakelen.
- Het is niet toegestaan het oorspronkelijke ontwerp van de grasmaaier te veranderen. Alle wijzigingen zijn op eigen risico.
- Start de automatische grasmaaier volgens de instructies. Wanneer de stroom is ingeschakeld, moet u ervoor zorgen dat uw handen en voeten uit de buurt van de draaiende messen blijven. Plaats nooit uw handen en voeten onder de Robotmaaier.
- Til de robotmaaier nooit op of draag het nooit wanneer de stroom is ingeschakeld.
- Sta niet toe dat de maaier gebruikt wordt door personen die niet weten hoe de Robotmaaier werkt en zich gedraagt.
- Leg geen voorwerpen op de Robotmaaier of op het laadstation.
- Laat de Robotmaaier niet werken met een

defect mes of een defecte behuizing. Hij moet ook niet worden gebruikt met defecte schroeven, moeren of kabels.

- k) Schakel de Robotmaaier altijd uit als u niet van plan bent om de Robotmaaier te gebruiken. De robotmaaier kan alleen starten als de stroom is ingeschakeld en de juiste PIN-code is ingevoerd.
- l) Houd uw handen en voeten buiten het bereik van de roterende bladen. Plaats nooit uw handen en voeten onder de Robotmaaier.
- m) Vermijd gebruik van de machine en de accessoires onder slechte weersomstandigheden, voornamelijk als er gevaar op blikseminslag is.
- n) Raak riskante bewegende delen niet aan, voordat die stilgezet zijn.
- o) Voor machines die gebruikt worden in publieke ruimtes, dienen waarschuwingsborden geplaatst te worden rond de ruimte waar de machine in werking treedt. Geven de inhoud van de volgende tekst weer:
Waarschuwing! Automatische grasmachine!
Houd uit de buurt van de machine! Kinderen onder toezicht houden!

80 2. Als het toestel automatisch functioneert

- NI** a) Laat de machine niet werken zonder toezicht als u weet dat er dieren, kinderen of andere personen in de omgeving zijn.

Onderhoud en opslag



WAARSCHUWING! Als de maaier ondersteboven wordt gedraaid, moet de stroom altijd uitgeschakeld zijn. De stroom moet uitgeschakeld zijn tijdens alle werkzaamheden aan het onderframe van de maaier, zoals schoonmaken of vervangen van de messen.

- a) Zet alle moeren, bouten en schroeven vast om zeker te weten dat het toestel in de veilige werktoestand is;
- b) Inspecteer de grasmaaier elke week en vervang versleten of beschadigde onderdelen voor de veiligheid;
- c) Controleer of de messen en de schijf niet beschadigd zijn. Verwijder alle messen en schroeven tegelijk, zodat de draaiende delen in balans blijven.
- d) Zorg ervoor dat uitsluitend vervangingsonderdelen van het juiste type worden gebruikt;
- e) Zorg ervoor dat batterijen worden opgeladen met de juiste lader, aanbevolen door de

fabrikant. Onjuist gebruik kan resulteren in een elektrische schok, oververhitting of lekkage van de corroderende vloeistof uit de batterij;

- f) Bij lekkage van het elektrolyt spoelt u met water of een neutraliserend middel. Vraag medische hulp als het elektrolyt in contact komt met de ogen e.d.;
- g) Onderhoud van het toestel moet geschieden in overeenstemming met de instructies van de fabrikant.

Aanbeveling

Sluit het apparaat en/of de accessoires alleen aan op een elektriciteitsnet dat door een aardlekschakelaar met een schakelstroom van niet meer dan 30 mA beveiligd is.

Overige risico's

Draag, als u de bladen vervangt, beschermende handschoenen om verwondingen te voorkomen.

Vervoer

De oorspronkelijke verpakking moet worden gebruikt als de grasmaaier over een langere afstand vervoerd wordt.

Veilig vervoer van en naar het werkgebied:

- a) Druk op de knop STOP om de maaier te stoppen.
U geeft de volledige PIN-code van vier cijfers als u de maaier voor het eerst start.
- b) Schakel de automatische grasmaaier altijd uit als u van plan bent om de grasmaaier te dragen.
- c) Draag de maaier bij het handvat aan de achterkant, onder de maaier. Draag hem met de messen van uw lichaam afgekeerd.

RF vereisten van blootstelling

Om te voldoen aan de RF vereisten van blootstelling, dient een afstand van 200mm of meer tussen de persoon en het toestel te worden gehouden, wanneer het toestel in werking is.

Om ervoor te zorgen dat de regels worden nageleefd, is het niet aangeraden om te werken met een kleinere afstand. De antenne die gebruikt wordt voor deze zender mag zich niet in dezelfde locatie als andere antennes of zenders bevinden.

Dit is een apparaat van klasse III en mag alleen worden gevoed met extra lage veiligheidsspanning die overeenkomt met de

markering op het apparaat.

Veiligheidsvoorschriften voor de accu in het apparaat

- a) **Batterijcellen en accupacks mogen niet gedemonteerd, geopend of vernietigd worden.**
- b) **Sluit accupacks niet kort. Bewaar accupacks niet willekeurig in een doos of lade waar ze elkaar kunnen kortsluiten of door geleidende voorwerpen kortgesloten kunnen worden.** Houd het accupack op een afstand van andere metalen voorwerpen als paperclips, muntstukken, sleutels, nagels, schroeven en andere kleine metalen voorwerpen die de contacten van de accupack kunnen verbinden. Kortgesloten contacten van accupacks kunnen brandwonden of brand veroorzaken.
- c) **Stel accupacks niet bloot aan warmte of vuur. Vermijd opslag in direct zonlicht.**
- d) **Stel accupacks niet bloot aan mechanische schokken.**
- e) **Als een accu lekt dient men voorzichtig te zijn dat de vloeistof niet in contact komt met de huid of de ogen. Als dat toch gebeurt spoelt men de huid onder stromend water en raadpleegt men een arts.**
- f) **Houd batterijcellen en accupacks schoon en droog.**
- g) **Laad alleen op met een lader met de technische gegevens van Kress. Gebruik geen andere lader dan de lader die specifiek voor dat doel met de apparatuur is meegeleverd.**
- h) **Gebruikt geen accupack dat niet bedoeld is voor gebruik met deze apparatuur.**
- i) **Houd accupacks buiten het bereik van kinderen.**
- j) **Bewaar de oorspronkelijke instructies van het product voor latere gebruik.**
- k) **Volg de juiste procedure voor afvalverwijdering na afdanken van dit apparaat.**
- l) **Gebruik geen batterijen van verschillende fabricage, capaciteit, grootte of soort in het apparaat.**
- m) **Houd de accu uit de buurt van microgolven en hoge druk.**
- n) **Waarschuwing! Gebruik geen niet-oplaadbare batterijen.**

Gebruikershandleiding voor vereisten van snoerloze producten

- a) Het gebruik van dit apparaat is onderhevig aan de volgende twee voorwaarden:
 - (1) Dit apparaat mag geen schadelijke storing veroorzaken, en
 - (2) dit apparaat moet alle ontvangen storing aanvaarden, met inbegrip van storing die ongewenste werking kan veroorzaken.
- b) Let op: Wijzigingen of aanpassingen aan dit apparaat die niet uitdrukkelijk zijn goedgekeurd door de instantie, die verantwoordelijk is voor de naleving, kunnen het recht van de gebruiker om het apparaat te bedienen tenietdoen.
- c) **OPMERKING:** Dit apparaat genereert, gebruikt en kan radiofrequentie-energie uitstralen en kan, indien niet volgens de instructies geïnstalleerd en gebruikt, schadelijke storing aan radiocommunicatie veroorzaken. Er is echter geen garantie, dat er in een bepaalde installatie geen storing zal optreden. Als dit apparaat schadelijke storing veroorzaakt aan de ontvangst van radio of televisie, hetgeen kan worden vastgesteld door het apparaat aan en uit te zetten, wordt de gebruiker aangeraden, te proberen deze storing te verhelpen door één of meerdere van de volgende maatregelen te nemen:
 - Heroriënteer of verplaats de ontvangstantenne.
 - Vergroot de afstand tussen de apparatuur en de ontvanger.
 - Sluit de apparatuur aan op een stopcontact van een ander circuit dan dat waarop de ontvanger is aangesloten.
 - Raadpleeg de leverancier of een ervaren radio/ tv-technicus voor hulp.

Symbolen



WAARSCHUWING –de Robotmaaier kan gevaarlijk zijn bij verkeerd gebruik.
Lees de gebruiksaanwijzing grondig door en zorg ervoor dat u de inhoud begrijpt voordat u de Robotmaaier gebruikt.



WAARSCHUWING - Houd omstanders op afstand.



WAARSCHUWING – Schakel de aan-uitknop altijd uit voordat u aan de machine werkt of de machine optilt.



WAARSCHUWING –Rij niet op de machine.



Klasse III-apparaten



Afgedankte elektrische producten mogen niet bij het normale huisafval terechtkomen. Breng deze producten waar mogelijk naar een recyclecentrum bij u in de buurt. Vraag de verkoper of de gemeente informatie en advies over het recyclen van elektrische apparatuur.



Li-ion-accu. Dit product is gemarkeerd met een symbool dat 'gescheiden inzameling' voor alle accu's en accupacks betekent. Vervolgens worden ze gerecycled of gedemonteerd om de impact op het milieu te beperken. Accupacks kunnen gevaarlijk zijn voor het milieu en de menselijke gezondheid omdat ze gevaarlijke stoffen bevatten.



Niet in brand steken.



Als de batterij niet correct wordt gebruikt, kan deze de waterkringloop binnendringen, wat schade aan het ecosysteem kan veroorzaken. Gooi gebruikte batterijen niet weg als ongesorteerd gemeentelijk afval.



Reinig de machine niet met een hogedrukreiniger.

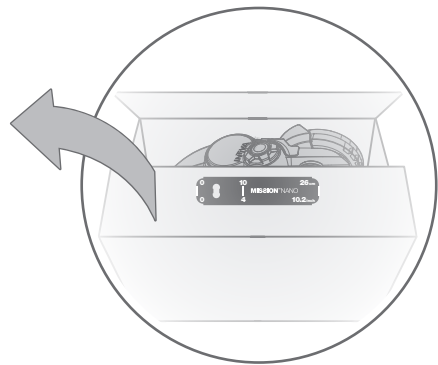
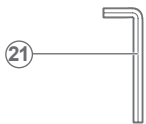
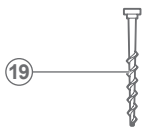
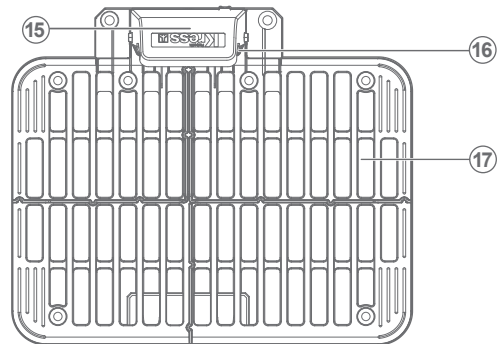
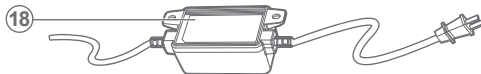
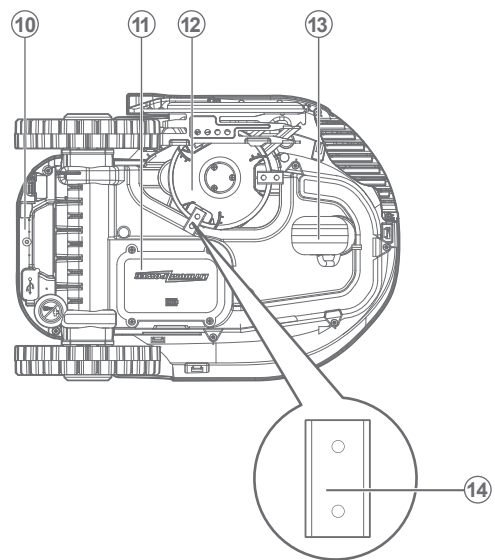
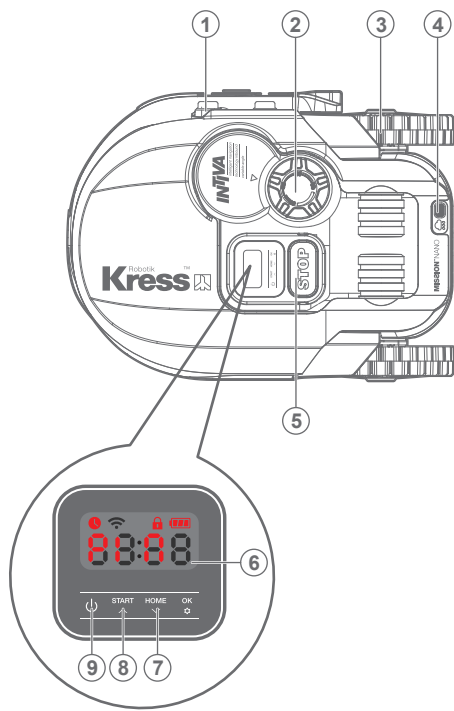


Lees de bedieningshandleiding



Afneembare voedingseenheid

Onderdelenlijst



- | | |
|-------------------------|---|
| 1. Laadstrip | 12. Messenschijf |
| 2. Regelknop maaihoogte | 13. Voorwiel |
| 3. Achterste rijwiel | 14. Snijmes |
| 4. Regensensor | 15. Beschermkap |
| 5. Stopknop | 16. Contactpinnen |
| 6. Monitor | 17. Laadstation |
| 7. home knop | 18. Voedingsapparaat |
| 8. Start knop | 19. Bevestigingschroeven voor laadstation |
| 9. Aan en uit knop | 20. Afstandmal voor grensdraad |
| 10. Handvat | 21. Inbussleutel |
| 11. Accu | |


Technische Gegevens

Type **KR101E (100-199 - aanduiding van machinerie, kenmerkend voor robotgrasmaaier)**

Nominaal vermogen	20 V \equiv Max.*
Toerental onbelast	2800 /min
Maaigebied	600 m ²
Snijdiameter	18 cm
Maaihoogte	30-60 mm
Hoogte-instellingen	4
Accutype	Lithium
Batterijmodel	KA3022
Laadtijd Ongeveer	105 min
Model Lader	KA0200 / KA0201
Lader gegevens	Lader primair: 100-240 V~50/60 Hz, 38 W, Secundair: 20 V, 1.5 A
Gewicht machine	8.95 kg
Veiligheidsklasse	III
App	Y
Maximale helling in het werkkoppervlak	35%
Frequentiebanden voor Bluetooth (MHz)	2400-2483.5 MHz
Maximaal uitgezonden vermogen voor Bluetooth (dBm)	8 dBm
Frequentiebanden voor WIFI (MHz)	2400-2483.5 MHz
Maximaal uitgezonden vermogen voor wifi (dBm)	20 dBm
Frequentieband van het inductieve lussysteem	77 Hz
Maximaal RF-vermogen van het inductieve lussysteem	82 dB μ A/m

* Spanning gemeten zonder belasting. Beginspanning batterij bereikt maximum 20 volt. Nominale spanning is 18 volt.

Geluids gegevens

A-gewogen geluidsdruk	$L_{pA} = 45.5 \text{ dB (A)}, K_{pA} = 0.6 \text{ dB(A)}$
A-gewogen geluidsvermogen	$L_{wA} = 65.5 \text{ dB (A)}, K_{wA} = 0.6 \text{ dB(A)}$
Gebruik gehoorbescherming indien de geluidsdruk hoger is dan	80 dB(A) 

Het is onvermijdelijk dat de machine wat lawaai veroorzaakt. Voor luidruchtig werk is een vergunning vereist en het werk is gelimiteerd tot bepaalde periodes. Houd rusttijden aan en beperkt de werkuren tot een minimum. Draag passende gehoorbeschermers voor de persoonlijke bescherming en de bescherming van mensen die in de omgeving werken.

Toebehoren

Schroeven	9
Laagspanningskabel	1
Befestigings schroeven voor laadstation	8
Inbussleutel	1
Afstand mal voor grensdraad	2
Messen	9
Accu (KA3022)	1
Lader (KA0200 / KA0201)	1

85

NI

Wij adviseren u alle accessoires te kopen in de winkel waar u het gereedschap heeft gekocht. Kijk op de verpakking van het accessoire voor meer informatie. Ook het winkelpersoneel kan u helpen en adviseren.

Gebruik volgens bestemming

Dit product is bestemd voor het maaien van gazons (uitsluitend particulier gebruik). Hij is gemaakt om vaak te maaien en een gezonder en mooier gazon te maken. Afhankelijk van de grootte van uw gazon kan de Mission™NANO geprogrammeerd worden om op elk moment te werken. Het apparaat is niet bedoeld om er mee te graven, te vegen of sneeuw te ruimen.

Onderhoud

De Mission™NANO moet af en toe gecontroleerd worden. De Mission™NANO werkt hard en heeft af en toe een schoonmaakbeurt nodig, waarbij onderdelen vervangen worden, want ze kunnen slijten. Gebruik nooit uw Mission™NANO met een defecte aan-/ uitschakelaar.

Schakel de machine voor het uitvoeren van reparaties en onderhoud.

Hieronder staat hoe u de Mission™NANO verzorgt.

1

Houd hem scherp

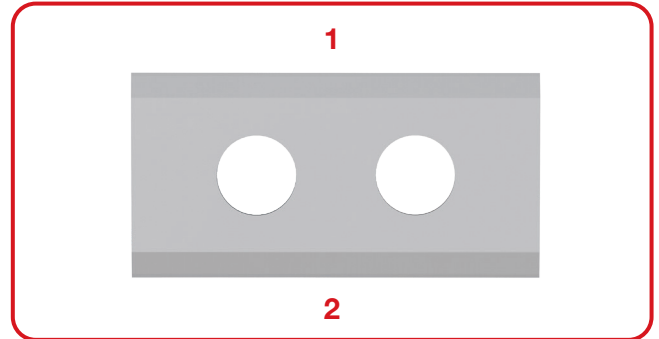


WAARSCHUWING: Zet uw Mission™NANO vóór reiniging, afstelling of vervanging van de bladen op OFF en trek veiligheidshandschoenen aan.



WAARSCHUWING: Vervangt u het mes, vervang dan alle messen tegelijk. Gebruik altijd nieuwe schroeven bij het inzetten van messen. Dit is belangrijk om intrekking van het blad te waarborgen en om de Messenschijf in balans te brengen. Het gebruik van oude schroeven kan tot ernstige verwonding leiden.

De Mission™NANO maait het gras niet zoals andere maaiers. De messen zijn aan 4 kanten scherp als een scheermes en draaien in beide richtingen voor de maximale snijcapaciteit. Elk mes van de Mission™NANO heeft 4 snijranden. De draaischijf voor de messen zal willekeurig naar voren of achteren draaien om 4 snijranden te gebruiken. Dat helpt om het aantal malen te minimaliseren dat een snijblad vervangen moet worden. Met het nieuwe materiaal zal de levensduur van elk mes 3 keer langer zijn dan die van andere merken messen per dag.. Controleer steeds of de messen niet beschadigd zijn en vervang ze zo nodig. Zijn de messen bot en versleten, dan moeten ze vervangen worden door de reservemessen die met de Mission™NANO geleverd zijn. U vindt ook reservemessen bij uw Kress-leverancier.



A. De messen vervangen

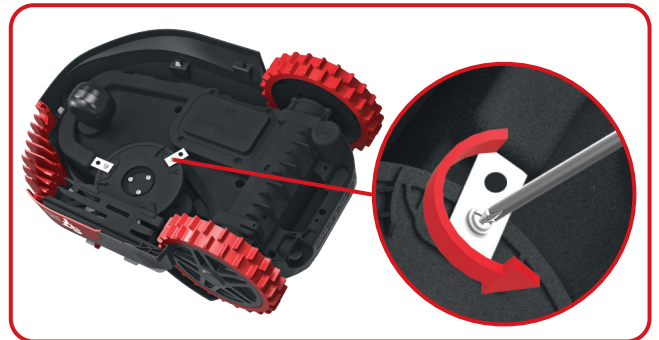
86

NI

Gewoonlijk moeten de messen van uw Mission™NANO elke maand worden omgekeerd en elke 2 maanden worden vervangen. Vervang ze allemaal tegelijk. U kunt ze vervangen met een van de kits met reservemessen en extra schroeven die met de Mission™NANO geleverd zijn.

Voordat u begint met het vervangen van de messen van de Mission™NANO, schakelt u de voeding uit en trekt u beschermende handschoenen aan. Ga dan als volgt te werk:

1. Keer de Mission™NANO voorzichtig om
2. Verwijder het batterijklepje en verwijder de batterij.
3. Haal de schroeven uit de messen met een schroevendraaier.
4. Schroef de nieuwe messen er stevig op.
5. Plaats de batterij en het batterijklepje opnieuw.



Belangrijk: Nadat u de messen aan de schijf heeft vastgeschroefd, controleert u of de messen vrij kunnen draaien.

2

Houd hem schoon



WAARSCHUWING: Zet uw uw Mission™NANO op OFF vóóordat u hem schoonmaakt. Draag beschermende handschoenen als u de schijf schoonmaakt en gebruik geen stromend water.

A. De behuizing schoonmaken

De Mission™NANO is gelukkiger en leeft langer als hij geregeld schoongemaakt wordt. Uw Mission™NANO is een elektrisch apparaat dat met de nodige voorzichtigheid moet worden gereinigd. **Gebruik daarom GEEN tuinslang of hogedrukreiniger, noch stromend water op uw Mission™NANO.** U gebruikt hiervoor het beste een sproeifles die gevuld is met water. Bij het schoonmaken van de behuizing gebruikt u een zachte borstel of schone doek, zonder oplos- of polijstmiddelen. Tenslotte verwijdert u alle resten van afgemaaid gras en vuil.



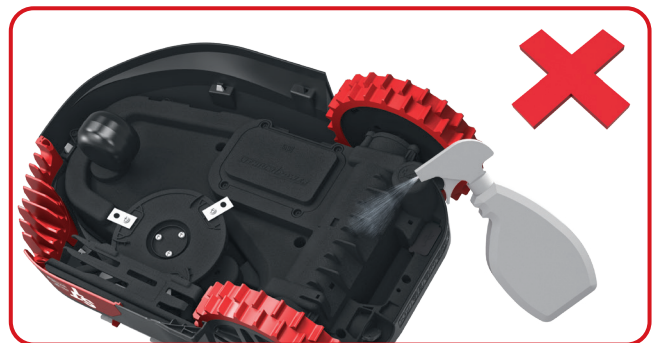
B. De onderkant schoonmaken

We herhalen het, het is belangrijk dat u de Mission™NANO uitschakelt met de Aan/uitknop en dat u beschermende handschoenen draagt voordat u de schijf aanraakt. Keer de Mission™NANO eerst ondersteboven, zodat de onderkant zichtbaar wordt. U ziet de schijf, het chassis en de voorste wielen en de aandrijfwielen. Maak alles grondig schoon met een zachte doek of een zachte borstel.



WAARSCHUWING: Spoel de onderzijde van de Mission™NANO NOOIT met water. De onderdelen kunnen worden beschadigd. Draai aan de messenschijf om er zeker van te zijn dat deze vrij kan draaien. Controleer of de messen vrij draaien rondom de bevestigingsschroeven. Verwijder eventuele obstakels.

BELANGRIJK: Verwijder vastzittend materiaal zodat het geen barst in de schijf kan veroorzaken. Zelfs een kleine barst kan de maaiprestaties van de Mission™NANO negatief beïnvloeden.



C. Maak de contactpinnen en de laad strips schoon

Maak de contactpin op het laadstation en de laadstrip op de Mission™NANO schoon met een doek. Verwijder restanten van gras en vuil rondom de contactpinnen en laad strips periodiek om zeker te weten dat de Mission™NANO elke keer goed kan worden opgeladen.

3

Levensduur van de batterij

Het hart van de Mission™NANO is een lithium-ion batterij van 20 volt. Voor de juiste opslag van de batterij zorgt u ervoor dat hij volledig opgeladen is en ligt op een droge plaats tussen 20°C ± 5°C.

OPMERKING: De aanbevolen Mission™NANO bedrijfstemperatuur ligt tussen 0°C - 45°C.

De levensduur van de batterij van de Mission™NANO is van diverse factoren afhankelijk zoals:

- Hoe lang het maaiseizoen duurt in uw woonplaats
- aantal uren per dag dat de Mission™NANO maait
- Onderhoud van de batterij bij opslag.

Mission™NANO kan handmatig worden opgeladen zonder de begrenzkabel.

1. Sluit het laadstation aan op een geschikte voedingsbron. Het groene lampje van het oplaadstation gaat branden.
2. Plaats de uitgeschakelde Mission™NANO handmatig in het laadstation.
3. Groene lampje van het oplaadstation knippert. De Mission™NANO begint te laden.



4

Winteropslag

De Mission™NANO leeft langer en blijft gezonder als u hem een goede winterslaap gunt. Hij is onverwoestbaar, maar hij slaapt in de winter toch liever in de schuur of in de garage.

Voordat u de Mission™NANO wegbrengt voor de winterslaap, zorgt u voor het volgende:

- Maak de Mission™NANO grondig schoon
- Laad de batterij volledig op
- Schakel de Mission™NANO uit

Om de levensduur van de batterij te verlengen, het is aan te bevelen de batterij volledig op te laden voor de winteropslag.

88

NI



WAARSCHUWING: Bescherm de onderkant van Mission™NANO tegen water. Sla de Mission™NANO NOOIT ondersteboven op.

Het grensdraad kan in de grond blijven liggen, maar de uiteinden moeten beschermd worden, bijvoorbeeld door de uiteinden in te vetten. Blijft het laadstation in de winter buiten, laat de grensdraad dan aangesloten.

OPMERKING: Neemt u de Mission™NANO na de winterslaap weer in gebruik, zorg er dan voor dat de laad strips en contactpinnen schoon zijn. Het is aan te bevelen ze schoon te maken met een fijne schuurdoek. Zorg er met behulp van de app voor dat de datum en de tijd juist zijn en laat Mission™NANO daarna weer doen wat het graag doet: maaien.

5

De batterij vervangen

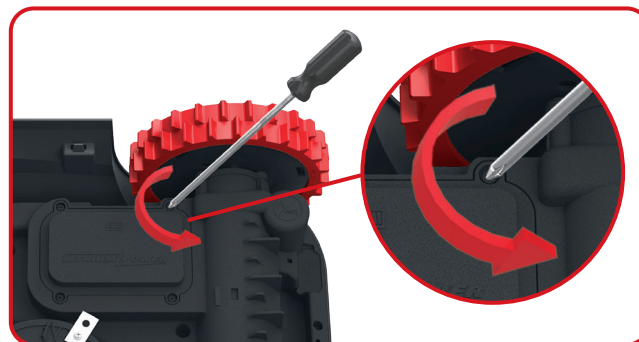


WAARSCHUWING: Zet de Aan/uitschakelaar in de stand UIT voordat u begint met enige instelling, vervanging of reparatie.

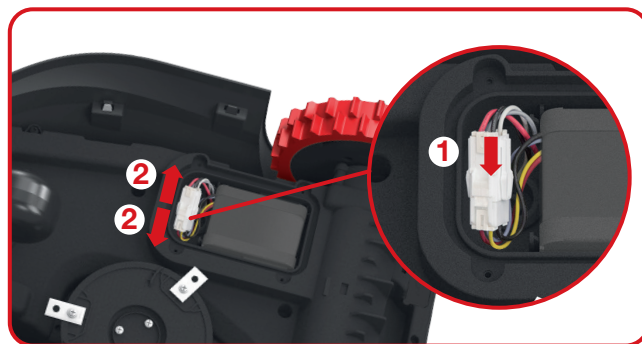
Zet uw Mission™NANO vóór vervanging van de batterij op OFF en trek veiligheidshandschoenen aan.

Moet u de batterij vervangen, ga dan als volgt te werk:

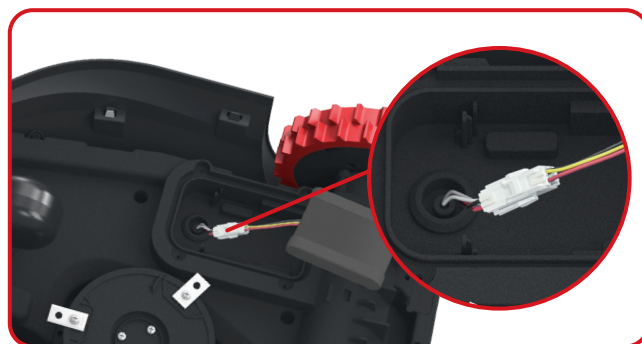
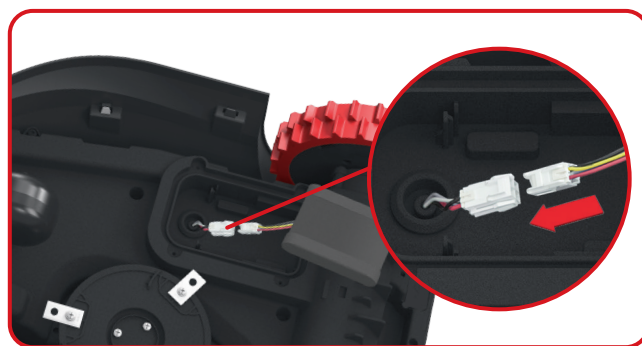
1. Keer de Mission™NANO voorzichtig om.
2. Draai de schroeven van de batterij los. Verwijder het batterijdeksel.



3. Verwijder de oude accu voorzichtig. Druk op de grendel en trek de connectors los.
OPMERKING: Trek niet aan de kabels. Houd de connectoren vast en maak de vergrendeling los.



4. Sluit een nieuwe originele accu aan door de connectors aan te sluiten totdat deze vastklikken.



5. Plaats de accu zoals getoond wordt. Plaats het deksel terug op zijn plaats en maak het goed met schroeven vast.



Foutmeldingen

Soms kan het misgaan. Gelukkig is Mission™NANO slim genoeg om u te vertellen of hij een probleem heeft, zodat u het kunt oplossen. Bij twijfel kunt u onze website bezoeken waar u nuttige video's en verdere ondersteuning kunt vinden.

MELDINGEN	OORZAAK	ACTIE
EE	Fout onbekend.	Neem contact op met de klantenservice.
F I	Regenvertraging.	Uw Mission™NANO zal starten nadat de regen is gestopt en de regenvertraging is verstreken.
E I	Grensdraad ontbreekt OF Mission™NANO buiten de draad.	<p>1. Als Mission™NANO daadwerkelijk buiten zijn werkgebied is: schakel de stroom uit, neem Mission™NANO Mission™NANO binnen zijn werkgebied. Zet de stroom aan. Druk op start.</p> <p>2. Als de Mission™NANO zich binnen zijn werkgebied bevindt, controleer dan of de LED op het laadstation groen is. Zo niet, controleer dan of het laadstation correct is aangesloten op de oplader en dat de oplader aangesloten is op een geschikte voeding. Als ze goed zijn aangesloten, zijn de grensdraden verkeerd vastgeklemd en moeten worden omgekeerd.</p> <p>3. Keer de uiteinden van de grensdraden om.</p>
E 2	Fout aan de motorwielen.	<p>Schakel de stroom uit en breng Mission™NANO naar een gebied zonder obstakels.</p> <p>Zet de stroom aan. Druk op start. Als de foutmelding nog steeds wordt weergegeven, schakel de stroom uit. Draai Mission™NANO ondersteboven en controleer of er iets is dat het draaien van de wielen verhindert.</p> <p>Verwijder alle obstakels, zet Mission™NANO rechtop, schakel de stroom in.</p>
E 3	Motorbladfout.	<p>Schakel de stroom uit.</p> <p>Zet Mission™NANO ondersteboven, trek veiligheidshandschoenen aan om letsel te voorkomen en controleer of er iets is dat het draaien van de bladschijf verhindert.</p> <p>Verwijder eventuele obstakels.</p> <p>Zet Mission™NANO rechtop en breng het naar een gebied met kort gras of pas de maaihoogte aan;</p> <p>Zet de stroom aan. Druk op start.</p>
E 4	Fout vastzitten.	<p>Schakel de stroom uit.</p> <p>Neem Mission™NANO mee naar een gebied in uw gazon dat vrij is van obstakels, schakel de stroom in. Druk op start.</p> <p>Als de foutmelding nog steeds wordt weergegeven: schakel de stroom uit, draai Mission™NANO ondersteboven. Controleer of er iets is dat het draaien van de wielen verhindert.</p> <p>Verwijder eventuele obstakels, zet de Mission™NANO rechtop, schakel de stroom in.</p>
E 5	Fout opgetild.	<p>Schakel de stroom uit.</p> <p>Breng Mission™NANO naar een gebied dat vrij is van obstakels, schakel de stroom in. Druk op start.</p> <p>Als de foutmelding nog steeds wordt weergegeven: schakel de stroom uit, draai Mission™NANO ondersteboven en controleer of er iets is dat ervoor kan zorgen dat Mission™NANO Mission™NANO opgetild wordt.</p> <p>Verwijder alle mogelijke voorwerpen, zet Mission™NANO rechtop, schakel de stroom in.</p>

E6	Fout Ondersteboven (gekanteld).	Zet Mission™NANO rechtop.
E7	Fout bij het opladen van de batterij.	1) De temperatuur van de batterij is te hoog (meer dan 55°C) tijdens het opladen. Plaats het laadstation in de schaduw of wacht tot de temperatuur is afgekoeld. 2) De temperatuur van de batterij is te laag. De buitentemperatuur laat uw Mission™NANO niet werken. Het is tijd om het voor de winter te herstellen. 3) Slechte verbinding: controleer de verbinding tussen de contactpennen op het laadstation en de laadstrip en dat het laadstation zich op een perfect vlakke oppervlak bevindt. 4) Stroomtoevoer is verbroken: Neem contact op met de klantenservice.
E8	Fout kan basis station niet vinden.	1) Laadstation is slecht geplaatst (niet op een vlakke oppervlak), Mission™NANO vindt geen pinnen en stopt niet. Controleer het station. 2) Mission™NANO heeft geen batterij meer voordat hij het laadstation heeft bereikt. De verlengde grensdraad mag niet meer dan 350 meter bedragen.
E9	Met de 'Lock Function' ingeschakeld, als je Mission™NANO gedurende 3 dagen geen signaal van je Wifi-router ontvangt, dan wordt deze als veiligheidsmaatregel vergrendeld. Dit kan zijn omdat uw router zijn vermogen heeft verloren of omdat uw van Wifi-router of netwerkprovider bent veranderd.	Verbind Mission™NANO opnieuw met het Wifi-netwerk waaraan het oorspronkelijk gekoppeld was. Als dit niet mogelijk is, neem dan contact op met klantenservice.
E4:60 E4:61 E4:62 E4:63 E4:64	Fout in de software-update van de module treedt op.	Controleer of de module juist is aangesloten. Controleer of het bestand dat in de USB-stick is gekopieerd niet beschadigd is. Schakel de stroom uit, schakel deze vervolgens in en probeer de softwareupdate opnieuw.
E4:50 E4:51 E4:52 E4:80 E4:81 E4:82 E4:83 E4:84 E4:80	Fout in de software-update treedt op.	Probeer de software-update opnieuw of neem contact op met de Klantenservice.

OPMERKINGEN

- Voordat u de stroom inschakelt, moet u altijd controleren of Mission™NANO zich binnen zijn werkgebied bevindt.
- Als u om wat voor reden dan ook - bijvoorbeeld een feestje, spelende kinderen... - uw Mission™NANO in het laadstation wilt parkeren: druk op HOME en dan OK. Mission™NANO zal naar de basis gaan en daar blijven. Let op Mission™NANO zal nu wachten tot de volgende geplande maai beurt. Als u hem op elk moment opnieuw wilt starten, druk op start dan OK om uw Mission™NANO te starten.
- Als er zich herhaaldelijk een fout voordoet in hetzelfde gebied van uw gazon, kan er een probleem zijn met de grensdraad, raadpleeg dan de installatie-instructies en controleer of uw installatie correct is met behulp van het apparaat.
- Als uw gazon is verdeeld in twee gescheiden gebieden, verbonden door een gang van minder dan 1 m breed, waarvan er één niet is voorzien van het laadstation: wanneer Mission™NANO bijna leeg is, breng hem dan handmatig naar het laadstation
- Als Mission™NANO af en toe abnormaal werkt, reset hem dan door hem uit te schakelen en de batterij gedurende 30 seconden te verwijderen, start hem dan opnieuw op. Als het probleem niet kan worden opgelost, neem dan contact op met onze klantenservice voor hulp.

Probleemoplossing bij installatie

Werkt de Mission™NANO niet goed, volg dan de gids voor het oplossen van problemen hieronder. Heft dat de storing niet op, neem dan contact op met de leverancier.

Problemen	Mogelijke oorzaken	Herstelhandeling
De led op het laadstation brandt niet.	Er is geen netvoeding.	Controleer of de stroomkabel correct op het oplaadstation is aangesloten en of de oplader op een geschikte voeding is aangesloten.
Het rode lampje van het oplaadstation gaat branden.	De grensdraad is niet aangesloten.	Controleer of de grensdraad correct is aangesloten op het oplaadstation. Controleer of de grensdraad geen breuken vertoont, vooral niet in de kabeluiteinden.
Uw Mission™NANO is binnen zijn werkgebied en de grensdraad is aangesloten. Maar het display zegt “-E !-”.	De grensdraadeinden zijn niet correct geplaatst.	Draai de uiteinden van de grensdraad om.
De Mission™NANO dokt niet goed in het laadstation.	Omgevingsfactoren.	Installeer uw Mission™NANO opnieuw.
	Slechte verbinding door vuil op de laadstrip.	Reinig de contactstrip van het laadstation en de oplaadstrip op de Mission™NANO met een doek.
De Mission™NANO beweegt buiten de grensdraad. De Mission™NANO maait een gebied binnen de grensdraad niet. De Mission™NANO keert om of draait onregelmatig in de buurt van de grensdraad.	De begrenzingskabel van een andere Mission™NANO of robotmaaier van een ander merk bevindt zich te dicht in de buurt.	Zorg voor minstens 1 meter afstand tussen de begrenzingskabel van uw Mission™NANO en andere begrenzingskabels in de buurt.
	De begrenzingskabel is geïnstalleerd met scherpe hoeken.	Controleer de begrenzingskabel en zorg ervoor dat alle hoeken gerond zijn.
	Onder natte omstandigheden kan het elektrische signaal op de grensdraad weglekken op plaatsen waar de draad verbonden of gerepareerd is.	Controleer de grensdraadverbindingen. Isoleer de draad voor een volledig waterdichte verbinding.
	Er is een lekkage van het elektrische signaal op de grensdraad vanwege defecte isolatie.	Herstel beschadigde begrenzingsdraad met aansluitingen.
	Het maaigebied is groter dan het toegestane maaigebied voor de Mission™NANO.	Het snijdgebied verkleinen.
De Mission™NANO verlaat het afgebakende gebied door een te hoge snelheid tijdens het afdalen van een helling.	De grensdraad is geplaatst op een helling die steiler is dan 17% (10°).	Verplaats de grensdraad op een helling die minder steil is dan 17% (10°).

Bescherming van het milieu

 Afgedankte elektrische producten kunt u niet met het normale huisafval weggooien. Breng deze producten, indien mogelijk, naar een recyclecentrum bij u in de buurt. Vraag de verkoper of de gemeente naar informatie en advies over het recyclen van elektrische producten.

Conformiteitverklaring

Wij,
Positec Germany GmbH
Postfach 32 02 16, 50796 Cologne, Germany

Namens Positec verklaar ik dat het product
Beschrijving **Robotgrasmaaier**
Type **KR101E (100-199 - aanduiding van machinerie, kenmerkend voor Robotgrasmaaier) (Het serienummer staat op de achterpagina) met acculader KA0200 / KA0201 en oplaadbasis KA0071**
Functie **Gras maaien**

Overeenkomt met de volgende richtlijnen,
2006/42/EC, 2014/30/EU, 2014/35/EU, 2011/65/EU&(EU)2015/863, 2000/14/EC gewijzigd door 2005/88/EC, 2014/53/EU

2000/14/EC gewijzigd door 2005/88/EC

- | | |
|---|--------------------|
| - Procedure beoordeling conformiteit volgens | Annex V |
| - Niveau gemeten geluidsvermogen | 65.5 dB (A) |
| - Opgegeven, gegarandeerde niveau geluidsvermogen | 67 dB (A) |

De aangemelde instantie Intertek, Semko AB, NB-No. 0413 heeft een EU-typeonderzoek uitgevoerd overeenkomstig Richtlijn 2014/53/EU en het volgende certificaat van EU-typeonderzoek afgegeven: SE-RED-2200106

Standards in overeenstemming met,

Voor grasmaaier: EN 50636-2-107:2015+A1:2018+A2:2020+A3:2021, EN 60335-1:2012+A11:2014+A13:2017+A1:2019+A2:2019+A14:2019+A15:2021, EN IEC 62311:2020, EN IEC 55014-1:2021, EN IEC 55014-2:2021, EN IEC 61000-3-2:2019+A1:2021, EN 61000-3-3:2013+A1:2019+A2:2021

Voor inductielusysteem: EN 303 447 V1.1.1

Voor ultrasone module: EN 55011:2016+A11:2020

Voor Bluetooth & WIFI-module (2.4G): EN 301 489-1 V2.2.3, EN 301 489-17 V3.2.4, EN 300 328 V2.2.2

Voor oplader: EN IEC 55014-1:2021, EN IEC 55014-2:2021, EN IEC 61000-3-2:2019+A1:2021, EN 61000-3-3:2013+A1:2019+A2:2021, EN IEC 60335-2-29:2021+A1:2021, EN 60335-1:2012+A11:2014+A13:2017+A1:2019+A2:2019+A14:2019+A15:2021, EN 62233:2008

Voor lawaai: EN ISO 3744:2005

Voor RoHS: EN IEC 63000:2018

De persoon die bevoegd is om het technische bestand te compileren,

Naam Marcel Filz

Adres Positec Germany GmbH Postfach 32 02 16, 50796 Cologne, Germany

2023/09/19

Allen Ding

Plaatsvervangend Chief Ingenieur, Testen en Certificering

Positec Technology (China) Co., Ltd.

18, Dongwang Road, Suzhou Industrial

Park, Jiangsu 215123, P. R. China

Użytkownicy mogą zapoznać się z elektronicznymi instrukcjami na stronie <https://www.kress.com/en/>.

Bezpieczeństwo Produktu

Ogólne i dodatkowe instrukcje bezpieczeństwa



OSTRZEŻENIE: Należy przeczytać **wszystkie ostrzeżenia bezpieczeństwa i instrukcje**. *Nieprzestrzeganie ostrzeżeń i instrukcji może spowodować porażenie prądem, pożar i/lub poważne obrażenia.*

Należy dokładnie przeczytać instrukcje dotyczące bezpiecznego użytkowania urządzenia.

Zachować wszystkie ostrzeżenia i instrukcje na przyszłość.

- Niniejsze urządzenie nie jest przeznaczone do użytku przez osoby (wliczając w to dzieci) z obniżonymi zdolnościami fizycznymi, sensorycznymi lub umysłowymi oraz nieposiadające doświadczenia i wiedzy na temat urządzenia, chyba że zostaną będą one nadzorowane lub zostaną poinstruowane w zakresie obsługi urządzenia przez osobę odpowiedzialną za ich bezpieczeństwo.
- Należy zadbać o to, by dzieci nie bawiły się urządzeniem.
- Baterię w tym urządzeniu może wymieniać tylko wykwalifikowany personel.
OSTRZEŻENIE: Do ładowania baterii używaj wyłącznie wymiennego zasilacza dostarczonego z urządzeniem.

**WAŻNE
PRZECZYTAĆ DOKŁADNIE PRZED
KORZYSTANIEM
ZACHOWAĆ NA PRZYSZŁOŚĆ**

Bezpieczne praktyki używania Przeszkolenie

- a) Dokładnie przeczytać instrukcje. Upewnić się, że są one zrozumiałe oraz zaznajomić się z przyciskami sterowania i zasadami prawidłowego korzystania z urządzenia.
- b) Z urządzenia nie mogą korzystać osoby nieobeznane z niniejszymi instrukcjami lub dzieci. Miejscowe przepisy mogą ograniczać wiek osoby uprawnionej do korzystania z urządzenia;
- c) Operator lub użytkownik urządzenia ponoszą odpowiedzialność za zagrożenia powstałe dla

osób trzecich lub ich mienia.

Przygotowanie

- a) Upewnić się, że przewód graniczny jest zainstalowany prawidłowo, zgodnie z instrukcjami.
- b) Regularnie sprawdzać obszar, w którym urządzenie ma być stosowane oraz usuwać wszystkie kamienie, patyki, druty, kości i inne ciała obce.
- c) Przeprowadzać regularne inspekcje wzrokowe ostrzy, trzpieni i zespołu tnącego pod kątem zużycia lub uszkodzenia. Wymieniać zużyte lub uszkodzone ostrza i trzpienie w zestawach w celu zachowania wyważenia urządzenia.
- d) W przypadku urządzeń z wieloma narzędziami tnącymi należy zachować ostrożność, ponieważ ruch jednego ostrza może doprowadzić do rotacji pozostałych ostrzy.
- e) **OSTRZEŻENIE!** Nie należy korzystać z robota do koszenia trawy bez założonej osłony.

Korzystanie z urządzenia

1. Informacje ogólne


- a) Nigdy nie należy używać urządzenia z uszkodzonymi osłonami lub bez elementów zabezpieczających, np. deflektorów;
- b) Nie umieszczać rąk lub stóp w pobliżu obracających się części lub pod nimi. Zawsze trzymać się z dala od otworu wylotowego.
- c) Nigdy nie podnosić ani nie przenosić urządzenia, gdy silnik pracuje.
- d) Uruchomić mechanizm wyłączający urządzenia:
 - Przed usuwaniem blokady;
 - Przed sprawdzaniem, czyszczeniem lub wykonywaniem prac na urządzeniu;
 - Po uderzeniu w obcy przedmiot sprawdzić maszynę pod kątem uszkodzeń;
 - Jeśli maszyna zaczyna nienormalnie wibrować, należy sprawdzić, czy nie jest uszkodzona przed ponownym uruchomieniem.
- e) Dokonywanie zmian w konstrukcji robota do koszenia trawy jest niedozwolone. Wszelkie modyfikacje wykonywane są na ryzyko użytkownika.
- f) Robotado koszenia trawy należy uruchamiać zgodnie z instrukcjami. Po włączeniu zasilania kosiarki dłoni ani stóp nie wolno zbliżać do obrotowych noży. Nigdy nie należy umieszczać rąk lub nóg pod robotem.
- g) Kosiarki automatycznej, w której włączono zasilanie, nie wolno podnosić ani przenosić w inne miejsce.
- h) Nie dopuszczać do korzystania z robota osób, które nie są obeznane ze sposobem jej pracy i

- zachowania.
- i) Nie umieszczać żadnych przedmiotów na robocie lub stacji ładowania.
 - j) Nie korzystać z robota do koszenia trawy w przypadku wadliwej tarczy tnącej lub korpusu. Nie należy również korzystać z robota w przypadku wadliwych ostrzy, śrub, nakrętek lub przewodów.
 - k) Gdy robot nie będzie używany, należy zawsze wyłączać go przy użyciu głównego wyłącznika. Kosiarkę automatyczną można uruchomić wyłącznie po włączeniu zasilania i wpisaniu poprawnego kodu PIN.
 - l) Zabrania się zbliżania kończyn (ręce oraz nogi) do łopatek wirujących. Nigdy nie wkładać rąk lub stóp pod pracującą lub włączoną kosiarkę.
 - m) Unikać używania urządzenia i wyposażenia dodatkowego w złych warunkach pogodowych, zwłaszcza gdy istnieje ryzyko wyładowań atmosferycznych.
 - n) Nie dotykać poruszających się części, zanim nie zatrzymają się całkowicie.
 - o) W przypadku urządzeń wykorzystywanych w miejscach publicznych, oznaczenia ostrzegawcze powinny być ustawiane wokół obszaru pracy maszyny. Powinny one zawierać następujący tekst:
Ostrzeżenie! Automatyczna kosiarka! Nie podchodzić do maszyny! Pilnować dzieci!

2. Ponadto, gdy narzędzie pracuje w trybie automatycznym

- a) Nie należy zostawiać pracującego urządzenia bez nadzoru wiedząc, że w pobliżu znajdują się zwierzęta domowe, dzieci lub inne osoby.

Konserwacja i przechowywanie

 **OSTRZEŻENIE!** Przed odwróceniem kosiarki do góry kołami należy wyłączyć zasilanie.

Podczas prac związanych z podwoziem kosiarki, na przykład czyszczenia lub wymiany noży, zasilanie musi być wyłączone.

- a) Wszystkie nakrętki, trzpienie i śruby muszą być dokręcone, aby upewnić się, że urządzenie jest w bezpiecznym stanie.
- b) Sprawdzać stan robota do koszenia trawy co tydzień i wymieniać zużyte lub uszkodzone części w celu zachowania bezpieczeństwa.
- c) Należy w szczególności sprawdzać ostrza i tarczę tnącą pod kątem uszkodzeń. W razie konieczności wszystkie ostrza i śruby należy wymieniać w tym samym czasie, aby zachować wyważenie części obrotowych.
- d) Upewnić się, iż użyto właściwego rodzaju

- zamiennych części tnących.
- e) Upewnić się, że akumulatory są ładowane przy użyciu odpowiedniej ładowarki zalecanej przez producenta. Nieprawidłowe zastosowanie może spowodować porażenie prądem, przegrzanie lub wyciek płynu korozyjnego z akumulatora.
- f) W przypadku wycieku elektrolitu z akumulatora należy przepłukać miejsce wodą/środkiem neutralizującym, a w przypadku, gdy elektrolit wejdzie w kontakt z oczami, itp., należy zasięgnąć pomocy lekarskiej.
- g) Urządzenie powinno być serwisowane zgodnie z instrukcjami producenta.

Zalecenie

Urządzenie oraz wyposażenie dodatkowe podłączać wyłącznie do układu elektrycznego wyposażonego w ochronę za pomocą wyłącznika różnicowoprądowego, z prądem zadziałania nie większym niż 30 mA.

Ryzyko

Podczas wymiany ostrzy używać rękawic ochronnych.

Transport

Do transportu robota do koszenia trawy na duże odległości należy zastosować oryginalne opakowanie.

W celu bezpiecznego przeniesienia z miejsca pracy lub w jego obrębie:

- a) Nacisnąć przycisk STOP w celu zatrzymania robota.
4-cyfrowy kod PIN jest wybierany podczas pierwszego uruchomienia robota.
- b) Zawsze wyłączać robota do koszenia trawy, gdy ma być przenoszony.
- c) Robota należy przenosić trzymając za uchwyt znajdujący się pod tylną częścią robota.
Robota należy przenosić trzymając tarczę tnącą z dala od ciała.

Wymagania dotyczące narażenia na RF

Aby spełnić wymagania dotyczące narażenia na RF, należy zachować odległość min. 200mm lub więcej między urządzeniem i osobami podczas pracy maszyny.

Dla zapewnienia zgodności, nie zaleca się pracy w odległości mniejszej niż wskazana powyżej. Antena stosowana w tym przekaźniku nie może być ustawiona równocześnie z żadną inną anteną lub przekaźnikiem.

Jest to urządzenie klasy III i może być zasilane

wyłącznie bezpiecznym bardzo niskim napięciem, odpowiadającym oznaczeniu na urządzeniu.

Ostrzeżenia bezpieczeństwa dotyczące akumulatora wewnątrz urządzenia.

- a) **Nie demontuj, nie otwieraj lub nie niszcz ogniw pomocniczych lub modułu akumulatora.**
- b) **Nie zwieraj ogniwa lub modułu akumulatora. Nie przechowuj ogniw lub modułu akumulatora w sposób bezładny w pudle lub szufladzie, gdzie mogą się wzajemnie zewrzeć lub ulec zwarcia przez inne metalowe przedmioty.** Nie używany akumulator należy trzymać z daleka od spinaczy, monet, kluczy, gwoździ, śrub lub innych małych przedmiotów metalowych, które mogłyby spowodować zmostkowanie kontaktów. Zwarcie pomiędzy kontaktami akumulatora może spowodować oparzenia lub pożar.
- c) **Nie narażaj ogniw lub modułu akumulatora na działanie ciepła lub ognia. Unikaj składowania w miejscach pod bezpośrednim działaniem światła słonecznego.**
- d) **Nie narażaj ogniw lub modułu akumulatora na uderzenia mechaniczne.**
- e) **W razie wycieku z ogniwa, nie dopuść, aby płyn zetknął się ze skórą lub dostał się do oczu. Jeśli już nastąpił kontakt z płynem, przemyj skażoną powierzchnię dużą ilością wody i zwróć się o pomoc medyczną.**
- f) **Nie używaj ogniwa lub modułu akumulatora nie przeznaczonego do pracy z danym urządzeniem.**
- g) **Utrzymuj ogniwa i moduł akumulatora w czystości i w stanie suchym.**
- h) **Akumulatory należy ładować tylko w ładowarkach, które poleci producent Kress.**
- i) **Nie używaj ogniwa lub modułu akumulatora nie przeznaczonego do pracy z danym urządzeniem.**
- j) **Trzymaj ogniwa i moduł akumulatora poza zasięgiem dzieci.**
- k) **Zachowaj oryginalne instrukcje produktu do wglądu.**
- l) **Zużyte ogniwa i akumulatory utylizuj zgodnie z zasadami gospodarki odpadami.**
- m) **Nie mieszaj w urządzeniu baterii o różnej produkcji, pojemności, rozmiarze lub typie.**
- n) **Ostrzeżenie! Nie próbuj ładować baterii nieładownalnych.**

Wymagania dla produktu bezprzewodowego według instrukcji

- a) Działanie tego urządzenia podlega następującym dwóm warunkom:
 - (1) To urządzenie nie może wytwarzać szkodliwych zakłóceń i
 - (2) to urządzenie musi być odporne na odbierane zakłócenia, łączenie z tymi, które powodują niepożądane działanie.
- b) **Ostrożnie:** Zmiany lub modyfikacje w tym urządzeniu, które nie są jawnie zaaprobowane przez stronę odpowiedzialną za zgodność, mogą unieważnić uprawnienie użytkownika do używania sprzętu.
- c) **WSKAZÓWKA:** Ten sprzęt wytwarza, wykorzystuje i może promieniować energię o częstotliwości radiowej, i - o ile nie jest zainstalowane i używane zgodnie z instrukcją - może powodować szkodliwe zakłócenia w łączności radiowej. Jednakże, nie ma gwarancji, że w konkretnej instalacji zakłócenia nie wystąpią. Jeżeli ten sprzęt powoduje szkodliwe zakłócenia w odbiorze radiowym lub telewizyjnym, co można ustalić wyłączając i włączając go, zachęca się użytkownika do próby skorygowania problemu przez jeden z następujących środków:
 - Reorientacja lub relokacja anteny odbiorczej.
 - Zwiększenie odstępów między sprzętem i odbiornikiem.
 - Podłączenie sprzętu do gniazdka w innym obwodzie niż ten, z którym połączony jest odbiornik.
 - W kwestii pomocy skonsultuj się ze sprzedawcą lub doświadczonym technikiem radiowym/TV.

Symbole



OSTRZEŻENIE – robot do koszenia trawy może być niebezpieczny w przypadku niewłaściwego użytkowania.

Przed przystąpieniem do użytkowania robota do koszenia trawy należy dokładnie przeczytać i zrozumieć tekst Instrukcji obsługi.



OSTRZEŻENIE - Zachować bezpieczną odległość od urządzenia podczas jego pracy.



OSTRZEŻENIE –Przed przystąpieniem do prac na urządzeniu lub jego podnoszeniem należy je wyłączyć.



OSTRZEŻENIE –Nie jeździć na urządzeniu.



Urządzenie klasy III



Odpady wyrobów elektrycznych nie powinny być wyrzucane razem z odpadami gospodarstwa domowego. Należy korzystać z recyklingu, jeśli istnieje odpowiednia infrastruktura. Porady dotyczące recyklingu można uzyskać u władz lokalnych lub sprzedawcy detalicznego.



Bateria litowo-jonowa. Ten produkt oznaczono symbolem nakazującym „segregację” baterii i akumulatorów. Produkt zostanie poddany recyklingowi lub rozmontowany, aby zmniejszyć jego wpływ na środowisko. Akumulatory mogą być niebezpieczne dla środowiska i dla zdrowia ludzkiego, ponieważ zawierają niebezpieczne substancje.



Nie spalać.



W przypadku niewłaściwej obsługi akumulator może przedostać się do obiegu wody, co może spowodować uszkodzenie ekosystemu. Nie wyrzucaj zużytych baterii jako nieposortowanych odpadów komunalnych.



Nie myć maszyny myjką ciśnieniową.

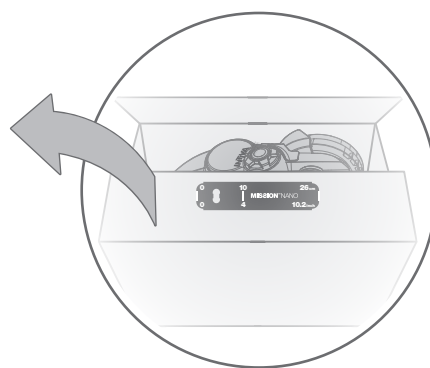
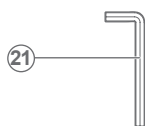
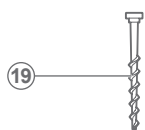
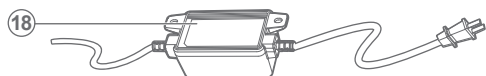
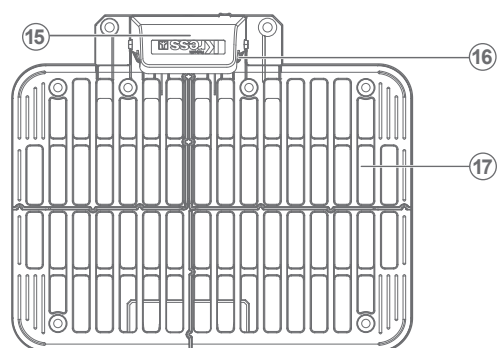
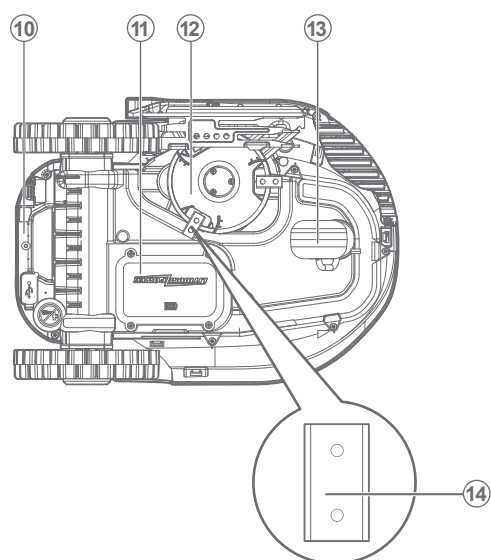
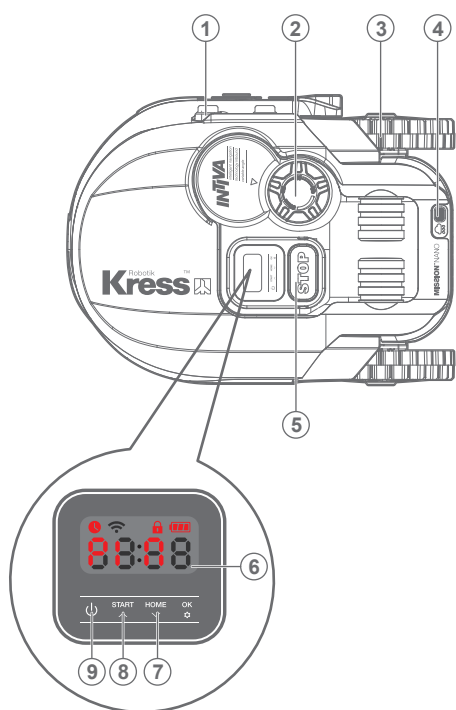


Przeczytaj instrukcję obsługi



Wymowana jednostka zasilająca

Lista części



- | | |
|---|---|
| 1. Taśma ładowania | 12. Tarcza obrotowa z ostrzem |
| 2. Pokrętko regulacji wysokości koszenia. | 13. Przednie koło |
| 3. Tylne koło napędowe | 14. Ostrze tnące |
| 4. Czujnik deszczu | 15. Pokrywy ochronnej |
| 5. Przycisk zatrzymania | 16. Wtyki |
| 6. Wyświetlacz | 17. Stacja ładowania |
| 7. Przycisk home | 18. Zasilacz sieciowy |
| 8. Przycisk start | 19. Śruby mocujące stacji ładowania |
| 9. Przycisk wł/wył | 20. Miernik odległości przewodu granicznego |
| 10. Rączka | 21. Klucz imbusowy |
| 11. Akumulator | |


Dane techniczne

Typ **KR101E (100-199 - oznaczenie maszyn zgodnych z robotem do koszenia trawy)**

Napięcie znamionowe	20 V _~ Max.*
Prędkość na biegu jałowym	2800 /min
Powierzchnia koszenia	600 m ²
Średnica koszenia	18 cm
Wysokość koszenia	30-60 mm
Pozycje wysokości koszenia	4
Typ akumulatora	Lithium-ion
Model akumulatora	KA3022
Czas ładowania Ok.	105 min.
Model ładowarki	KA0200 / KA0201
Moc znamionowa ładowarki	Wejściowa: 100-240 V~50/60 Hz, 38 W, Wyjściowa: 20 V, 1.5 A
Masa urządzenia	8.95 kg
Stopień ochrony	III
App	Y
Maksymalne nachylenie terenu na obszarze roboczym	35%
Pasma częstotliwości dla Bluetooth (MHz)	2400-2483.5 MHz
Maksymalna moc przesyłana dla Bluetooth (dBm)	8 dBm
Pasma częstotliwości dla WIFI (MHz)	2400-2483.5 MHz
Maksymalna transmitowana moc dla WIFI (dBm)	20 dBm
Pasmo częstotliwości systemu pętli indukcyjnych	77 Hz
Maksymalna moc RF systemu pętli indukcyjnych	82 dBμA/m

* Napięcie mierzone bez obciążenia. Początkowe napięcie akumulatora osiąga maksymalną wartość 20V. Napięcie nominalne wynosi 18V.

Hałas dane

Poziom ciśnienia akustycznego	$L_{pA} = 45.5 \text{ dB (A)}, K_{pA} = 0.6 \text{ dB(A)}$
Poziom mocy akustycznej	$L_{wA} = 65.5 \text{ dB (A)}, K_{wA} = 0.6 \text{ dB(A)}$
Należy stosować ochronę uszu w przypadku, gdy ciśnienie akustyczne przekracza wartość	80 dB(A) 

Nie da się uniknąć pewnego hałasu wydawanego przez urządzenie. Przeprowadzanie hałaśliwych prac musi być objęte licencją i ograniczone w niektórych okresach. Należy zachować przerwy na odpoczynek oraz może zajść konieczność ograniczenia godzin pracy do minimum. W celu zapewnienia ochrony osobistej oraz ochrony osób pracujących w pobliżu, należy zastosować odpowiednią ochronę uszu.

Akcesoria

Śrub	9
Stacja ładowania	1
Śruby mocujące stacji ładowania	8
Klucz imbusowy	1
100 Miernik odległości przewodu granicznego	2
PI Ostrzy	9
Akumulator (KA3022)	1
Ładowarka (KA0200 / KA0201)	1

Zalecamy nabywanie oryginalnych akcesoriów podanych powyżej z tego samego sklepu, w którym dokonano zakupu narzędzia. Dalsze szczegóły można znaleźć an opakowaniu akcesoriów. Pracownicy sklepu mogą służyć pomocą i radą.

Użycie zgodne z przeznaczeniem

Niniejszy produkt przeznaczony jest do koszenia trawy w prywatnym zakresie. Jest przeznaczony do częstego koszenia, zapewniając zdrowszy i lepiej wyglądający trawnik niż kiedykolwiek wcześniej. W zależności od wielkości trawnika, robota Mission™NANO można zaprogramować tak, aby pracował o dowolnej godzinie lub z dowolną częstotliwością. Urządzenie nie jest przeznaczone do prac wykopowych, zamiatania lub odgarniania śniegu.

Konserwacja

Robot Mission™NANO musi być okresowo sprawdzany. Robot Mission™NANO pracuje ciężko i po pewnym czasie wymaga dokładnego czyszczenia, jak również wymiany części, które mogą ulec zużyciu. Zabrania się eksploatacji Mission™NANO jeżeli wyłącznik On/off jest uszkodzony.

Przed przystąpieniem do konserwacji lub prac serwisowych należy wyłączyć urządzenie.

W tej części chcemy pokazać, w jaki sposób zadbać o swojego robota Mission™NANO.

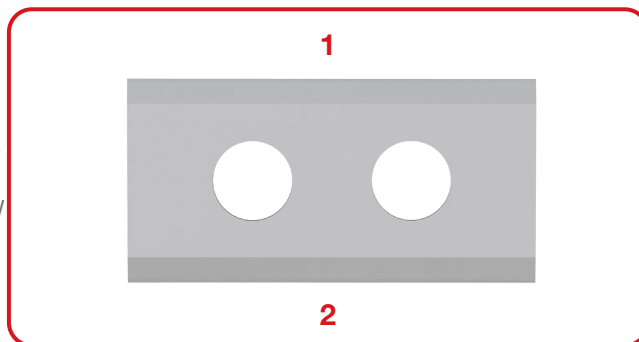
1

Zachowanie ostrości

! **OSTRZEŻENIE:** Przed przystąpieniem do regulacji lub wymiany ostrzy należy wyłączyć robota Mission™NANO oraz należy włożyć rękawice ochronne.

! **OSTRZEŻENIE: OSTRZEŻENIE!** Przy wymianie ostrzy na nowe, należy wymienić **WSZYSTKIE** ostrza. Do mocowania ostrzy zawsze używać nowych śrub. Ważne do zapewnienia ostrości i wyważenia tarczy tnącej. Jeśli nie zostaną użyte nowe śruby, może to doprowadzić do poważnych obrażeń.

Robot Mission™NANO nie kosi trawy tak, jak inne kosiarki. Jego ostrza tnące są bardzo ostre na wszystkich 4 krawędziach i obracają się w obu kierunkach w celu uzyskania maksymalnej wydajności tnącej. Każde ostrze robota Mission™NANO posiada 4 krawędzie tnące. Tarcza tnąca będzie wykonywać rotację w przód lub w tył w przypadkowej kolejności, aby były użyte 4 strony ostrza. W ten sposób przyczynia się do zminimalizowania częstości wymiany ostrzy. Dzięki nowemu materiałowi żywotność każdego ostrza będzie 3 razy dłuższa niż w przypadku ostrzy innych marek dziennie. Należy zawsze sprawdzać ostrza pod kątem złamań lub uszkodzeń oraz wymienić je w razie potrzeby. W momencie stępienia i zużycia ostrzy tnących powinny one zostać wymienione na ostrza zapasowe dostarczone wraz z robotem Mission™NANO. Zapasowe ostrza można nabyć również u najbliższego sprzedawcy sprzętu Kress.

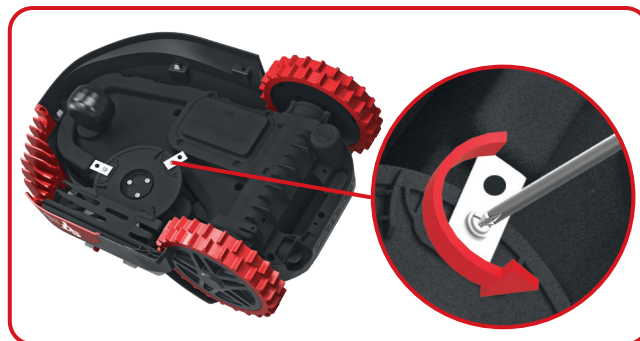


A. Wymiana ostrzy

W normalnych warunkach eksploatacji noże kosiarki Mission™NANO należy odwracać co miesiąc, a wymieniać co 2 miesiące. Tak więc wymieniając ostrza należy upewnić się, by były one wymienione wszystkie w tym samym czasie. Można wymienić je przy użyciu jednego z zapasowych zestawów ostrzy oraz dodatkowych śrub do ich mocowania, dostarczonych wraz z robotem Mission™NANO.

Przed przystąpieniem do wymiany ostrzy w robocie Mission™NANO należy wyłączyć zasilanie i włożyć rękawice ochronne. Następnie należy wykonać następujące kroki:

1. Delikatnie odwrócić robota Mission™NANO do góry dnem.
2. Zdjąć pokrywę akumulatora i wyjąć akumulator.
3. Odkręcić śruby z ostrzy przy użyciu śrubokrętu.
4. Dokładnie dokręcić śruby na nowych ostrzach.
5. Ponownie włożyć akumulator i pokrywę.



Ważne: Po przykręceniu ostrza do tarczy ostrzy upewnić się, że ostrze obraca się swobodnie.

2

Zachowanie czystości

! **OSTRZEŻENIE:** Przed przystąpieniem do czyszczenia należy wyłączyć robota Mission™NANO. Przed wyczyszczeniem tarczy tnącej włożyć rękawice ochronne i nie używać wody bieżącej.

A. Czyszczenie korpusu

Robot Mission™NANO będzie miał dużo lepszą i większą żywotność, jeśli będzie czyszczony regularnie. Ponieważ robot Mission™NANO jest urządzeniem elektrycznym, **należy zachować uwagę podczas jego czyszczenia i NIE używać węża, myjki ciśnieniowej lub nie wylewać bieżącej wody na robota Mission™NANO w inny sposób.** Najlepiej użyć butelki spryskiwacza wypełnionej wodą. Korpus urządzenia należy czyścić przy użyciu miękkiej szczotki lub czystej szmatki oraz należy unikać używania rozpuszczalników lub środków do nadawania połysku. Należy też pamiętać o usunięciu wszystkich nagromadzonych resztek trawy i zanieczyszczeń.



B. Czyszczenie spodniej części

Należy pamiętać o wyłączeniu robota Mission™NANO oraz o włożeniu rękawic ochronnych przed dotknięciem tarczy tnącej.

Najpierw należy odwrócić robota Mission™NANO dnem do góry w celu uzyskania dostępu do spodniej części. Dzięki temu można zobaczyć tarczę tnącą, podwozie oraz przednie koło i koło napędowe. Wyczyścić wszystko dokładnie przy użyciu miękkiej szczotki lub wilgotnej szmatki.

! **OSTRZEŻENIE: ZABRANIA SIĘ stosowania strumienia wody do czyszczenia dolnej strony robota Mission™NANO.** Może nastąpić uszkodzenie części robota.

Obrócić tarczę tnącą w celu upewnienia się, że porusza się ona swobodnie. Upewnić się, że ostrza obracają się swobodnie wokół śrub mocujących. Usunąć wszelkie przeszkody.

WAŻNE: Usunąć wszelkie zgromadzone zabrudzenia, aby uniknąć pęknięcia tarczy ostrej. Nawet najmniejsze pęknięcie może zmniejszyć wydajność koszenia robota Mission™NANO.



C. Czyszczenie styków i taśm ładowania

Wyczyścić wtyk znajdujący się na stacji ładowania oraz taśmę ładowania umieszczoną na robocie Mission™NANO przy użyciu szmatki. Regularnie usuwać wszelkie nagromadzone ścinki trawy i zanieczyszczenia wokół wtyków oraz taśm ładowania w celu zapewnienia każdorazowego skutecznego ładowania robota Mission™NANO.

3

Żywotność akumulatora

Sercem robota do koszenia trawy Mission™NANO jest akumulator litowo-jonowy 20 v. W celu zapewnienia odpowiednich warunków przechowywania akumulatora należy upewnić się, że jest on w pełni naładowany i trzymany w chłodnym, suchym miejscu (20°C ± 5°C).

UWAGA: Zalecana temperatura robocza urządzenia Android® jest w zakresie 0°C - 45°C.

Żywotność robota do koszenia trawy Mission™NANO zależy od różnych czynników, takich jak:

- Długość sezonu koszenia w danym regionie.
- Liczba godzin jaką robot Mission™NANO kosi w ciągu dnia.
- Konserwacja akumulatora podczas magazynowania.

Mission™NANO może być ładowany ręcznie bez przewodu granicznego.

1. Podłączyć stację ładowania do odpowiedniego źródła zasilania. Kontrolka ładowania stacji będzie świecić w zielonym kolorze.
2. Ręcznie zadokować robota Mission™NANO w stacji ładowania w momencie, gdy robot Mission™NANO jest wyłączony.
3. Zielone światło migoczące na stacji ładowania. Robot Mission™NANO rozpocznie ładowanie.



4

Przechowywanie w okresie zimowym

Żywotność robota Mission™NANO będzie dłuższa oraz będzie on w lepszym stanie, jeśli będzie przechowywany w okresie zimowym. Mimo, iż ciężko się w tym pogodzić, zalecamy przechowywanie robota Mission™NANO w szopie lub garażu podczas zimy.

Przed przygotowaniem robota Mission™NANO do zimowej hibernacji zalecamy:

- Dokładnie wyczyścić robota Mission™NANO
- Naładować akumulator do pełna
- Wyłączyć zasilanie

W celu maksymalizacji żywotności akumulatora zaleca się jego pełne naładowanie przed przystąpieniem do przechowywania na okres zimy.



OSTRZEŻENIE: Dolną stronę robota Mission™NANO chronić przed kontaktem z wodą.

ZABRANIA SIĘ składowania robota Mission™NANO, odwróconego dolną osłoną w górę na zewnątrz ponieważ występuje ryzyko przedostania się wody do wewnątrz urządzenia.

Przewód graniczny można zostawić w ziemi, lecz jego końcówki muszą być chronione, np. umieszczone w puszcze ze smarem. Jeśli stacja ładowania pozostanie na czas zimy, należy zostawić podłączony przewód graniczny.

UWAGA: Po przywróceniu robota Mission™NANO do pracy po okresie zimowym należy upewnić się, że taśmy ładowania i wtyki są czyste. W celu wyczyszczenia zaleca się zastosowanie drobnoziarnistego płótna szmerglowego. Korzystając z aplikacji, upewnij się, że ustawienie daty i godziny jest poprawne i wyslij Mission™NANO z powrotem do tego, co lubi robić: koszenie.

5

Wymiana akumulatora

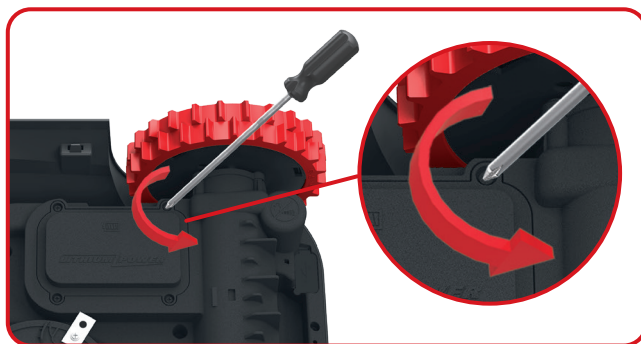


OSTRZEŻENIE: Przed przystąpieniem do podłączeniem akcesoriów, wykonywaniem ustawień lub napraw należy wyłączyć urządzenie.

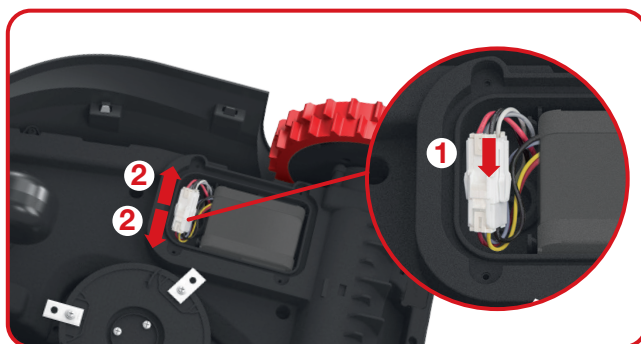
Przed przystąpieniem do regulacji lub wymiany ostrzy należy wyłączyć robota Mission™NANO oraz należy włożyć rękawice ochronne.

W przypadku konieczności wymiany akumulatora należy wykonać następujące kroki:

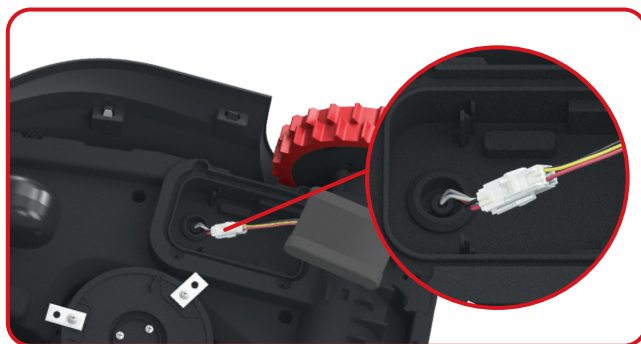
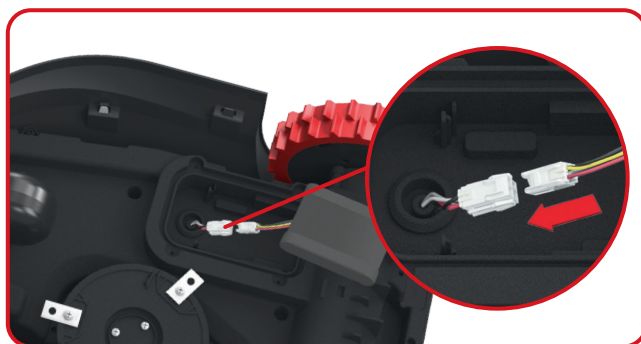
1. Delikatnie obrócić robota Mission™NANO do góry dnem.
2. Odkręcić śruby pokrywy pojemnika akumulatora. Zdjąć pokrywę pojemnika.



3. Wyjąć zużyty akumulator. Nacisnąć zatrzask i uwolnić konektor.
UWAGA: Nie ciągnąć za przewody. Przytrzymać za złącza i odłączyć konektor.



4. Podłączyć oryginalny nowy akumulator do konektora w jego prawidłowej pozycji.



5. Włożyć akumulator zgodnie z ilustracją. Ponownie umieścić pokrywę pojemnika na akumulatorze i delikatnie dokręcić śruby.



Komunikaty błędów

Czasami rzeczy mogą pojsć nie po Twojej myśli. Na szczęście Mission™NANO jest na tyle inteligentny, że powie Ci, iż napotkał problem, abyś mógł go naprawić. W razie wątpliwości, odwiedź naszą stronę internetową, gdzie znajdziesz przydatne filmy i dalsze wsparcie

KOMUNIKAT	PRZYCZYNA	DZIAŁANIE
EE	Błąd nieznanym.	Skontaktuj się z Działem Obsługi Klienta.
F I	Opoźnienie z uwagi na deszcz.	Twój Mission™NANO rozpocznie pracę po ustaniu opadów deszczu i gdy minął czas opóźnienia z uwagi na deszcz.
E I	Brak przewodu granicznego LUB Mission™NANO znajduje się poza przewodem.	1. Jeśli Mission™NANO znajduje się poza swoim obszarem roboczym: wyłącz zasilanie, przenieś Mission™NANO a wewnątrz obszaru roboczego. Włącz zasilanie. Naciśnij „START”. 2. Jeśli Mission™NANO znajduje się wewnątrz swojego obszaru roboczego, sprawdź czy dioda LED na stacji ładowania świeci się na zielono. Jeśli nie, sprawdź czy stacja ładowania jest prawidłowo podłączona do ładowarki oraz czy ładowarka jest podłączona do odpowiedniego źródła zasilania. Jeśli są one prawidłowo podłączone, zaciski przewodu granicznego są nieprawidłowo zaciśnięte i muszą zostać odwrócone. 3. Odwróć końce przewodu granicznego.
E 2	Awaria koła silnika.	Wyłącz zasilanie i przenieś Mission™NANO a do obszaru wolnego od przeszkód. Włącz zasilanie. Naciśnij „Start”. Jeśli komunikat o błędzie jest nadal wyświetlany, wyłącz zasilanie. Obroć Mission™NANO a do góry nogami i sprawdź, czy coś nie uniemożliwia obrotu koła. Usuń wszelkie przeszkody, obroć Mission™NANO a do prawidłowej pozycji i włącz zasilanie.
E 3	Awaria silnika ostrzy.	Wyłącz zasilanie. Obroć Mission™NANO a do góry nogami, załóż rękawice ochronne, aby uniknąć obrażeń i sprawdź, czy coś nie uniemożliwia obracania się tarczy tnącej. Usuń wszelkie przeszkody. Obroć Mission™NANO a do prawidłowej pozycji i zabierz go na teren z krotką trawą lub ustaw wysokość koszenia. Włącz zasilanie. Naciśnij „START”.
E 4	Błąd zablokowania.	Wyłącz zasilanie. Przenieś Mission™NANO a na obszar trawnika wolny od przeszkód, a następnie włącz zasilanie. Naciśnij „START”. Jeśli komunikat o błędzie jest nadal wyświetlany, wyłącz zasilanie, obroć Mission™NANO a do góry nogami. Sprawdź, czy coś nie uniemożliwia obrotu koła. Usuń wszelkie przeszkody, obroć Mission™NANO a do prawidłowej pozycji, następnie włącz zasilanie.
E 5	Błąd podniesienia.	Wyłącz zasilanie. Przenieś Mission™NANO a na obszar wolny od przeszkód, następnie włącz zasilanie. Naciśnij „START”. Jeśli komunikat o błędzie jest nadal wyświetlany, wyłącz zasilanie, obroć Mission™NANO a do góry nogami, a następnie sprawdź czy występuje coś, co może spowodować podnoszenie się Mission™NANO a. Usuń wszelkie możliwe przedmioty, obroć Mission™NANO a do prawidłowej pozycji, następnie włącz zasilanie.
E 6	Błąd obrocenia do góry nogami (przechylenia).	Ustaw Mission™NANO a w prawidłowej pozycji.

E 7	Błąd ładowania akumulatora.	<p>1) Temperatura akumulatora podczas ładowania jest zbyt wysoka (ponad 55°C). Umieść stację ładowania w zacienionym miejscu lub poczekaj, aż temperatura spadnie.</p> <p>2) Temperatura akumulatora jest zbyt niska. Zewnętrzna temperatura nie pozwala na pracę Mission™NANO a. Czas, aby przygotować maszynę na zimę.</p> <p>3) Słabe połączenie: sprawdź połączenie pomiędzy stykami znajdującymi się na stacji ładowania, a paskiem ładowania oraz czy stacja ładowania znajduje się na idealnie równej powierzchni.</p> <p>4) Zasilacz jest uszkodzony: skontaktuj się z Działem Obsługi Klienta.</p>
E 8	Błąd przekroczenia czasu znajdowania pozycji domowej.	<p>1) Stacja ładowania jest źle umieszczona (nie na płaskim podłożu), Mission™NANO nie znajduje pinów i nie zatrzymuje się. Sprawdź stację.</p> <p>2) Akumulator Mission™NANO a wyczerpuje się przed dotarciem do stacji ładowania. Przedłużony przewód graniczny nie może przekroczyć 350 metrów długości.</p>
E 9	Przy włączonej funkcji „Lock Function” (Blokowanie), jeśli Mission™NANO nie odbiera sygnału z routera Wi-Fi przez 3 dni, to zostaje dla bezpieczeństwa zablokowany. Może to być spowodowane utratą zasilania przez router lub zmianą routera Wi-Fi lub operatora sieci.	Proszę ponownie podłączyć Mission™NANO a do sieci Wi-Fi, z którą został pierwotnie sparowany. Jeśli nie jest to możliwe, skontaktuj się z Działem Obsługi Klienta.
E4:60 E4:61 E4:62 E4:63 E4:64	Wystąpił błąd aktualizacji oprogramowania modułu.	Sprawdź, czy moduł jest prawidłowo podłączony. Sprawdź, czy plik skopiowany na nośnik USB nie jest uszkodzony. Wyłącz zasilanie, następnie włącz je i spróbuj ponownie wykonać aktualizację.
E4:50 E4:51 E4:52 E4:80 E4:81 E4:82 E4:83 E4:84 E4:80	Wystąpił błąd aktualizacji oprogramowania.	Spróbuj ponownie wykonać aktualizację oprogramowania lub skontaktuj się z Działem Obsługi Klienta.

UWAGI

- Przed włączeniem zasilania należy zawsze sprawdzić, czy Mission™NANO znajduje się w obszarze roboczym.
- Jeśli z jakiegokolwiek powodu – np. impreza, bawiące się dzieci... – chcesz zaparkować Mission™NANO a w stacji ładowania: naciśnij „HOME”, a następnie OK. Mission™NANO przejedzie do swojej podstawy i tam pozostanie. Należy pamiętać, że Mission™NANO będzie oczekiwał na kolejną zaplanowaną sesję koszenia. Jeśli chcesz go ponownie włączyć w dowolnym momencie, naciśnij przycisk „START”, a następnie OK, aby włączyć urządzenie.
- W przypadku, gdy błąd powtarza się w tym samym obszarze trawnika, mógł wystąpić problem z przewodem granicznym, dlatego zapoznaj się z instrukcją instalacji i sprawdź poprawność konfiguracji.
- Jeśli Twój trawnik jest podzielony na dwa wydzielone obszary, połączone korytarzem o szerokości mniejszej niż 1m, z których jeden nie jest wyposażony w stację ładowania: gdy Mission™NANO rozładuje się, zabierz go ręcznie na podstawę ładowania.
- Jeśli Mission™NANO raz na jakiś czas pracuje nienormalnie, zresetuj go poprzez jego wyłączenie i wyjęcie akumulatora na 30 sekund, a następnie ponownie go uruchom. Jeśli problemu nie można rozwiązać, skontaktuj się z Działem Obsługi Klienta, aby uzyskać pomoc.

Rozwiązywanie problemów

Jeśli robot Mission™NANO nie pracuje w prawidłowy sposób, należy postępować zgodnie z poniższą instrukcją rozwiązywania problemów. Jeśli usterka będzie się utrzymywać, należy skontaktować się ze sprzedawcą.

Oznaka	Przyczyna	Działanie
Dioda LED na stacji ładowania nie włącza się.	Brak zasilania.	Upewnić się, że przewód zasilania jest prawidłowo podłączony do ładowarki, a ładowarka jest podłączona do odpowiedniego źródła zasilania.
Czerwona dioda stacji ładowania włączy się.	Przewód graniczny nie jest podłączony.	Upewnić się, że przewód graniczny został prawidłowo podłączony do stacji ładowania. Upewnić się, że przewód graniczny nie jest przerwany, zwłaszcza na końcach drutu.
Robot Mission™NANO znajduje się wewnątrz przestrzeni roboczej a przewód ograniczający jest podłączony. Pomimo tego na wyświetlaczu pojawił się komunikat “- E !-”.	Zacisk styków przewodu granicznego jest nieprawidłowy.	Zamienić styki przewodu granicznego.
Robot Mission™NANO nie może prawidłowo zadokować się w stacji ładowania.	Wpływ otoczenia.	Zrestartować robota Mission™NANO.
	Słabe połączenie spowodowane zanieczyszczeniami na taśmie ładowania.	Wyczyścić styki znajdujące się na stacji ładowania i taśmie ładowania robota Mission™NANO przy użyciu szmatki.
Robot Mission™NANO pracuje poza obszarem roboczym wyznaczonym przez przewód graniczny. Robot Mission™NANO nie kosi obszaru w obrębie obszaru wyznaczonego przez przewód graniczny. Robot Mission™NANO wycofuje się lub obraca błędnie w pobliżu przewodu granicznego.	Przewód graniczny innego robota Mission™NANO lub robota do koszenia trawy innej firmy jest umieszczony zbyt blisko.	Upewnić się, że przewód graniczny robota Mission™NANO znajduje się co najmniej 1m od sąsiadującego przewodu granicznego.
	Przewód graniczny został zamocowany z ostrymi narożami.	Sprawdzić przewód graniczny w celu upewnienia się, że naroża są gładkie.
	W mokrych warunkach sygnał elektryczny przewodu granicznego może upływać w miejscach łączenia lub naprawy przewodu granicznego.	Sprawdzić połączenia przewodu granicznego. Zaizolować w celu zapewnienia w pełni wodoszczelnego połączenia.
	Ze względu na przerwana izolację występuje upływ sygnału elektrycznego przewodu granicznego.	Naprawić zniszczoną izolację przewodu ograniczającego z wtyczką.
	Obszar cięcia jest większy niż dopuszczalny obszar cięcia dla robota Mission™NANO.	Zmniejszyć obszar koszenia.
Robot Mission™NANO wyjeżdża poza przewód graniczny ze względu na nadmierną prędkość podczas jazdy z góry.	Przewód graniczny umieszczony na zboczu o nachyleniu powyżej 17% (10°).	Przenieść przewód graniczny w miejsca o nachyleniu nie większym od 17% (10°).

Zasady ochrony środowiska



Odpady wyrobów elektrycznych nie powinny być wyrzucane razem z odpadami gospodarstwa domowego. Należy korzystać z recyklingu, jeśli istnieje odpowiednia infrastruktura. Porady dotyczące recyklingu można uzyskać u władz lokalnych lub sprzedawcy detalicznego.

Deklaracja zgodności

My niżej podpisani,
Positec Germany GmbH
Postfach 32 02 16, 50796 Cologne, Germany

W imieniu firmy Positec zaświadczam, że produkt

Opis **Robot do koszenia trawy**

Typ **KR101E (100-199 - oznaczenie maszyn zgodnych z robotem do koszenia trawy) (Numer seryjny jest umieszczony na tylnej stronie) z ładowarką akumulatora KA0200 / KA0201 i bazą ładowania KA0071**

Funkcja **Koszenie trawy**

Jest zgodny z poniższymi dyrektywami,
2006/42/EC, 2014/30/EU, 2014/35/EU, 2011/65/EU&(EU)2015/863, 2000/14/EC zmieniona dyrektywą 2005/88/EC, 2014/53/EU

2000/14/EC zmieniona dyrektywą 2005/88/EC

- | | |
|--|--------------------|
| - Procedura oceny zgodności zgodnie z | Annex V |
| - Zmierzony poziom mocy akustycznej | 65.5 dB (A) |
| - Deklarowany gwarantowany poziom mocy akustycznej | 67 dB (A) |

108
PI

Jednostka notyfikowana Intertek, Semko AB, NB-No. 0413 przeprowadziła badanie typu UE zgodnie z Dyrektywą 2014/53/UE i wydała następujący certyfikat badania typu UE: SE-RED-2200106

Standardy zgodne z,

Dla kosiarki: EN 50636-2-107:2015+A1:2018+A2:2020+A3:2021, EN 60335-1:2012+A11:2014+A13:2017+A1:2019+A2:2019+A14:2019+A15:2021, EN IEC 62311:2020, EN IEC 55014-1:2021, EN IEC 55014-2:2021, EN IEC 61000-3-2:2019+A1:2021, EN 61000-3-3:2013+A1:2019+A2:2021

Dla układu pętli indukcyjnej: EN 303 447 V1.1.1

Dla modułu ultradźwiękowego: EN 55011:2016+A11:2020

Dla modułu Bluetooth i WIFI (2.4G): EN 301 489-1 V2.2.3, EN 301 489-17 V3.2.4, EN 300 328 V2.2.2

Dla ładowarki: EN IEC 55014-1:2021, EN IEC 55014-2:2021, EN IEC 61000-3-2:2019+A1:2021, EN 61000-3-3:2013+A1:2019+A2:2021, EN IEC 60335-2-29:2021+A1:2021, EN 60335-1:2012+A11:2014+A13:2017+A1:2019+A2:2019+A14:2019+A15:2021, EN 62233:2008

Dla hałas: EN ISO 3744:2005

Dla RoHS: EN IEC 63000:2018

Osoba upoważniona do sporządzenia dokumentacji technicznej,

Imię i nazwisko **Marcel Filz**

Adres **Positec Germany GmbH Postfach 32 02 16, 50796 Cologne, Germany**



2023/09/19

Allen Ding

Zastępca głównego inżyniera, testowanie i certyfikacja

Positec Technology (China) Co., Ltd.


18, Dongwang Road, Suzhou Industrial

Park, Jiangsu 215123, P. R. China

Brugere kan se den elektroniske vejledning på <https://www.kress.com/en/>.

Produktsikkerhed

Generelle og yderligere sikkerhedsvejledninger

 **ADVARSEL: Læs alle sikkerhedsadvarslerne og alle vejledningerne.** Følges advarslerne og instruktionerne ikke, kan det føre til elektrisk stød, brand og/eller alvorlig personskade. **Læs alle vejledningerne omhyggeligt, så denne maskine betjenes på en sikker måde.**

Gem alle advarsler og vejledninger til senere brug.

- Dette apparat er ikke beregnet til brug af personer (herunder børn), med begrænsede fysiske, sensoriske eller mentale evner, eller personer med manglende erfaring eller viden, medmindre de er blevet vejledt eller instrueret i hvordan apparatet bruges, af en person med ansvar for deres sikkerhed.
- Børn skal være under opsyn, for at sikre de ikke leger med apparatet.
- Batteriet i denne enhed kan kun udskiftes af kvalificeret personale.
ADVARSEL: Brug kun den flytbare strømforsyningsenhed, der følger med enheden, for at oplade batteriet.

VIGTIGT LÆS FORSIGTIGT FØR BRUG BEHOLD TIL SENERE BRUG

Sikker brugspraksis Uddannelse

- Læs instruktionerne omhyggeligt. Sørg for, at du forstår vejledningerne, og at du er bekendt med betjeningsknapperne og hvordan apparatet bruges ordentligt.
- Lad aldrig personer, som ikke er bekendte med disse vejledninger, eller børn bruge apparatet. Den lokale lovgivning kan begrænse alderen på brugeren.
- Brugeren er ansvarlig for mulige uheld og farlige situationer for andre personer og deres ejendom.

Forberedelse

- Sørg for, at områdeafgrænsningen udføres korrekt, som beskrevet i vejledningerne.

- Efterse regelmæssigt områder, hvor apparatet skal bruges, og fjern alle sten, pinde, ledninger, knogler og andre genstande.
- Efterse regelmæssigt skæreklingen, boltene og samlingerne, og sørg for at de ikke er nedslidte eller beskadigede. Udskift nedslidte eller beskadigede skæreklinger og bolte i sæt, så du bibeholder balancen.
- På apparater med flere aksler, skal du være forsigtig når du drejer klingene, da den anden kan ske også at dreje.
- ADVARSEL: Plæneklipperen må ikke anvendes uden beskyttelsesdækslet monteret.

Betjening 1. Generelt

- Brug aldrig apparatet med ødelagte skærme, eller uden at sikkerhedsanordningerne, så som afvigelsesskærmene, er på plads.
- Put ikke hænderne eller fødderne under drejende dele. Sørg altid for, at holde dig væg fra udstødningsåbningen.
- Saml ikke ting op, eller bær på ting, mens apparatets motor kører.
- Betjen afbrydningsfunktionen fra apparatet
 - Før du renser maskinen for blokerende elementer;
 - Før du efterser, rengøre eller arbejder på apparatet;
 - Hvis maskinen har ramt et fremmedlegeme, skal den ses efter for eventuelle skader;
 - Hvis maskinen begynder at vibrere unormalt, skal maskinen ses efter for skader, inden den startes igen.
- Det er ikke tilladt, at ændre på græsslåmaskinens originale design. Alle ændringer som laves er på dit eget ansvar.
- Start græsslåmaskinen som beskrevet i vejledningerne. Når strømmen er tændt, skal du sørge for at holde dine hænder og fødder væk fra de roterende knive. Put aldrig dine hænder eller fødder under græsslåmaskinen.
- Robotplæneklipperen må aldrig løftes eller bæres, når den er tændt.
- Lad ikke personer, som ikke ved hvordan græsslåmaskinen virker og opfører sig, bruge den.
- Undgå, at stille ting oven på græsslåmaskinen eller dens opladestation.
- Undgå, at bruge græsslåmaskinen med en ødelagt klinge eller karrosseri. Og den må heller ikke bruges med ødelagte klinger, skruer, møtrikker eller kabler.
- Sluk altid for græsslåmaskine-robotten, når du ikke har i sinde at bruge robotten.

Robotplæneklipperen kan kun starte, når den er tændt, og den rigtige pinkode er indtastet.

- l) Hold hænderne og fødderne væk fra de roterende blade. Placer aldrig hænderne eller fødderne tæt på eller under kassen, mens robot-plæneklipperen er i funktion.
- m) Undgå at bruge maskinen og dens eksterne enheder under dårlige vejrforhold, især når der er risiko for lynnedslag.
- n) Rør ikke bevægelige farlige dele, før disse er kommet til et fuldstændigt stop.
- o) For maskiner, der anvendes i offentlige områder, de advarselsskilte skal anbringes i nærheden af maskinens arbejdsområde. De skal vise indholdet af den følgende tekst: Advarsel! Automatisk plæneklipper! Hold dig væk fra maskinen! Tilsyn med børn!

2. Når apparatet bruges automatisk

- a) Efterlad ikke maskinen i brug uden opsyn, hvis du ved der er kæledyr, børn eller andre personer i nærheden.

Vedligeholdelse og opbevaring



ADVARSEL! Når plæneklipperen

vendes på hovedet, skal den altid først slukkes.

Plæneklipperen skal være slukket under alt arbejde på dens underside, som fx rengøring eller udskiftning af knive.

- a) Sørg for, at alle møtrikker, bolte og skruer sidder ordentlig fast, så du sikre at apparatet er sikker stand.
- b) Efterse græsslåmaskinen hver uge, og skift nedslidte eller ødelagte dele.
- c) Kontroller, at klingerne og klingeskiven ikke er beskadigede. Skift alle klinger og skruer på samme tid, så de drejende dele er balancerede.
- d) Sørg for, at du udskifter skæreelementerne med den rigtige type.
- e) Sørg for, at batterierne oplades med den rigtige oplader, som er blevet anbefalet af producenten. Forkert brug kan føre til elektrisk stød, overophedning eller udslip af ætsende væsker fra batteriet.
- f) I tilfælde af udslip af elektrolyt, skal du skylle med vand/neutraliserende middel, og søg lægehjælp hvis det kommer i kontakt med dine øjne.
- g) Reparation af apparatet skal ske i henhold til producentens vejledninger.

Anbefaling

Tilslut kun maskinen og/eller dets periferiudstyr til et forsyningskredsløb beskyttet af en reststrømsanordning (RCD) med en trippestrøm på højst 30 mA.

Resterende ricisi

For at undgå personskader, brug beskyttelseshandsker ved udskiftning af knivene.

Transport

Når græsslåmaskinen skal transporteres over længere afstande, skal du bruge originalemballagen.

Sådan flyttes græsslåmaskinen sikker fra eller indenfor arbejdsområdet:

To safely move form or within the working area:

- a) Tryk på STOP knappen for at standse plæneklipperen.

Du vælger den firecifrede PIN-kode, når du starter plæneklipperen første gang.

- b) Stil kontakten på OFF (slukket), hvis du har i sinde at bære på græsslåmaskinen.

- c) Løft græsslåmaskinen i bærehåndtaget på forsiden. Løft græsslåmaskinen med klingeskiven væk fra kroppen.

Krav for RF-eksponering

For at opfylde kravene for RF-eksponering, en separationsafstand på 200 mm eller mere bør opretholdes mellem denne enhed og personer gennem enhedsdrift.

At sikre overholdelse, operationer på tættere end denne afstand anbefales ikke. Antennen, der anvendes til denne sender, må ikke være placeret i sammenhæng med enhver anden antenne eller transmitter.

Dette er et apparat i klasse III, og det må kun forsynes med ekstra lav sikkerhedsspænding svarende til mærkningen på apparatet.

Sikkerhedsadvarsler for batterisættet inden i værktøjet

- a) **Sekundærelementer eller batterisæt må ikke skilles ad, åbnes eller knuses.**
- b) **Et batterisæt må ikke kortsluttes. Batterisæt må ikke opbevares lemfældigt i en kasse eller skuffe, hvor de kan kortslutte hinanden eller kortsluttes af ledende genstande.** Når batterisættet ikke er i brug, skal det holdes væk fra andre metalgenstande, såsom papirclips, mønter, nøgler, søm, skruer eller andre små metalgenstande, der kan skabe en forbindelse fra en pol til en anden,

Kortslutning af batteripoler kan medføre forbrændinger eller brand.

- c) **Batterisæt må ikke udsættes for varme eller ild. Må ikke opbevares i direkte sollys.**
- d) **Batterisæt må ikke udsættes for mekaniske stød.**
- e) **I tilfælde af at et batteri lækker, må væsken ikke komme i kontakt med huden eller øjne. Hvis der er sket kontakt, skal det berørte område vaskes med rigelige mængder vand, hvorefter der søges lægehjælp.**
- f) **Søg straks lægehjælp, hvis et element eller batterisæt er nedsvælgnet.**
- g) **Opbevar batterisæt på et rent og tørt sted.**
- h) **Genoplad kun med laderen specificeret af Kress. Anvend ingen anden oplader end den, der specifikt er beregnet til brug med udstyret.**
- i) **Brug kun det korrekte batteri til udstyret.**
- j) **Batterisættet skal opbevares utilgængeligt for børn.**
- k) **Opbevar den originale produktliteratur til fremtidig brug.**
- l) **Bortskaffes på en miljørigtig måde.**
- m) **Bland ikke batterier af forskellig fremstilling, kapacitet, størrelse eller type i enheden.**
- n) **Advarsel! Brug ikke ikke-genopladelige batterier.**

at slukke og tænde for udstyret, opfordres brugeren til at forsøge at rette op på interferensen ved hjælp af en eller flere af følgende foranstaltninger:

- Drej eller flyt modtagerantennen.
- Øg afstanden mellem udstyret og modtageren.
- Tilslut udstyret til en stikkontakt på et andet kredsløb end det, som modtageren er tilsluttet.
- Henvend dig til en forhandler eller en erfaren radio-/tv-tekniker for assistance.

Brugervejledning – krav til trådløst produkt

- a) Brugen af denne enhed er underlagt følgende to betingelser:
 - (1) Denne enhed må ikke forårsage skadelig interferens, og
 - (2) denne enhed skal acceptere enhver modtaget interferens, inklusive interferens, der kan forårsage uønsket drift.
- b) Forsigtig: Ændringer eller modifikationer af denne enhed, der ikke udtrykkeligt er accepteret af den part, der er ansvarlig for overholdelsen, kan ugyldiggøre brugerens ret til at bruge udstyret.
- c) **BEMÆRK:** Dette udstyr genererer, bruger og kan udstråle radiofrekvensenergi og kan, hvis det ikke installeres og bruges i overensstemmelse med instruktionerne, forårsage skadelig interferens i radiokommunikation. Der er dog ingen garanti for, at interferens ikke vil forekomme i en bestemt installation. Hvis dette udstyr forårsager skadelig interferens på radio- eller tvmodtagelse, hvilket kan fastslås ved

Symboler



ADVARSEL – robotplæneklippere kan være farlige, hvis de ikke bruges korrekt.

Læs betjeningsvejledningen omhyggeligt igennem og forstå indholdet, inden du bruger robotplæneklipperen.



ADVARSEL - Hold en sikker afstand fra maskinen, når du betjener den.



ADVARSEL – Betjen inaktiveringsmekanismen, inden du arbejder med eller løfter maskinen.



ADVARSEL – Du må ikke ride på maskinen.



Klasse III apparat



Elektrisk affald må ikke smides ud sammen med dit almindelige husholdningsaffald. Du bedes venligst genbruge affaldet hvis muligt. Forhør dig hos din lokale kommune eller din forhandler vedrørende genbrug.



Lithium-ion batteri Dette produkt er mærket med et symbol i forbindelse med "separat indsamling" af alle batterier og batteripakker. Det genanvendes eller fjernes for at reducere miljøbelastningen. Batteriet kan være skadeligt for miljøet og menneskers sundhed, fordi det indeholder skadelige stoffer.



Må ikke brændes.



Hvis det ikke håndteres korrekt, kan batteriet komme ind i vandcyklusen, hvilket kan forårsage skade på økosystemet. Brug ikke brugte batterier som usorteret kommunalt affald.



Maskinen må ikke vaskes med en højtryksrensere

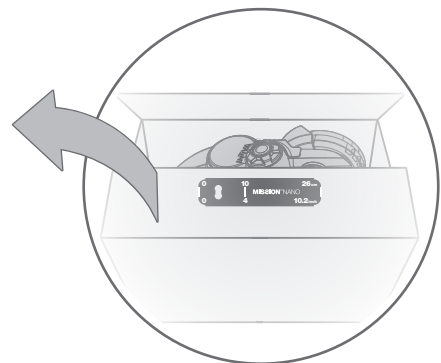
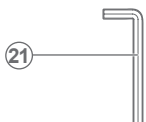
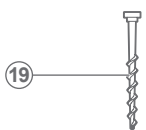
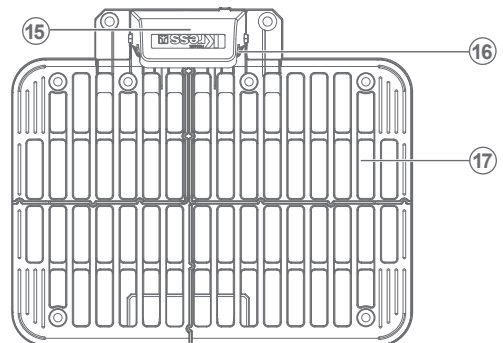
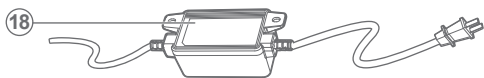
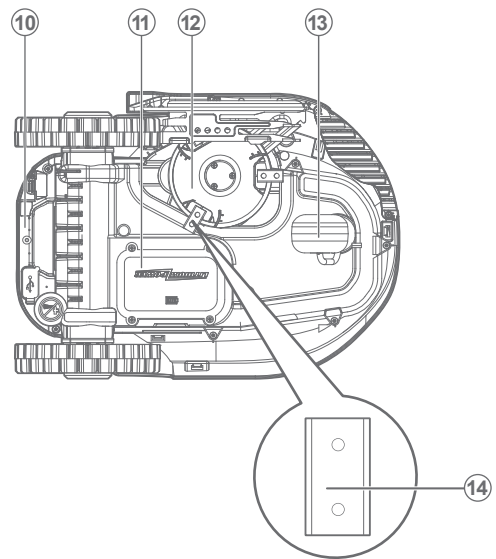
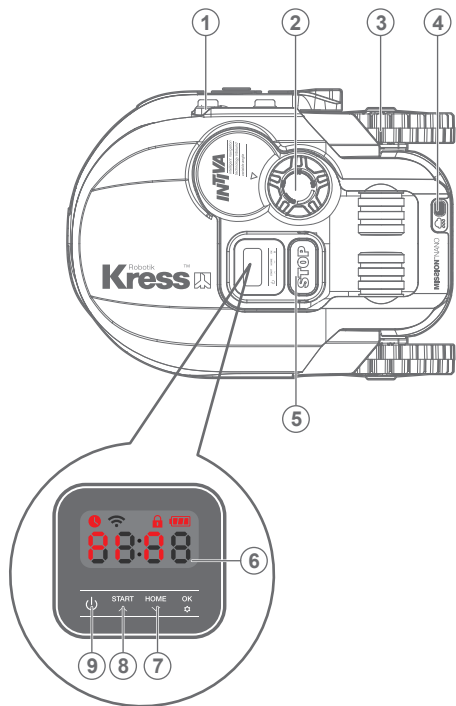


Læs betjeningsvejledningen



Aftagelig forsyningsenhed

Komponentenliste



- | | |
|------------------------------|-----------------------------------|
| 1. Opladestik | 12. Drejeskive Til Klinge |
| 2. Skærehøjde justeringsknap | 13. Forhjul |
| 3. Bagerste Drivhjul | 14. Klinge |
| 4. Regnsensor | 15. Beskyttelsesdæksel |
| 5. STOP-knap | 16. Kontakt |
| 6. Skærm | 17. Opladebase |
| 7. HOME -knap | 18. Strømadapter |
| 8. START tast | 19. Skruer Til Opladebasen |
| 9. Tænd/Sluk Kontakt | 20. Afstandsmåler Til Grænsekabel |
| 10. Håndtag | 21. Unbrakonøgle |
| 11. Batteripakke | |

Tekniske Data


Type **KR101E (100-199 - udpegning af maskiner, repræsentant for Græsslåmaskine-robot)**

Nominel spænding	20 V $\overline{=}$ Max.*
Hastighed uden belastning	2800 /min
Skæreamråde	600 m ²
Skærediameter	18 cm
Skæredybde	30-60 mm
Antal stillinger til klippehøjden	4
Batteritype	Lithium-ion
Batterimodel	KA3022
Opladningstid ca.	105 min
Opladermodel	KA0200 / KA0201
Mærkekapacitet på opladeren	Indgang: 100-240 V~50/60 Hz, 38 W, Udgang: 20 V, 1.5 A
Maskinvægt	8.95 kg
Isolationsklasse	III
App	Y
Maksimal hældning inden for arbejdsfladen	35%
Frekvensbånd for Bluetooth (MHz)	2400-2483.5 MHz
Maksimalt transmitteret effekt for Bluetooth (dBm)	8 dBm
Frekvensbånd for wifi (MHz)	2400-2483.5 MHz
Maksimal transmitteret effekt for wifi (dBm)	20 dBm
Frekvensbånd af det induktive sløjfesystem	77 Hz
Maksimal RF-effekt af det induktive sløjfesystem	82 dB μ A/m

*Spændingen er målt uden arbejdsbelastning. Den indledende batterispænding når maksimalt op på 20 volt.

Nominal spænding er 18 volt.

Støjinformation

A vægtet lydtryksniveau	$L_{pA} = 45.5 \text{ dB (A)}, K_{pA} = 0.6 \text{ dB(A)}$
A vægtet lydeffektniveau	$L_{wA} = 65.5 \text{ dB (A)}, K_{wA} = 0.6 \text{ dB(A)}$
Bær høreværn, når lydtrykket er over	80 dB(A) 

En vis støj fra maskinen kan ikke undgås. Støjende arbejde skal man have tilladelse til og begrænses til visse periode. Hold pauser og begræns arbejdstimerne til et minimum. Som personlig beskyttelse og beskyttelse af mennesker i nærheden, skal der bæres passende høreværn.

Tilbehør

Skruer	9
Opladestation	1
Fastspændingssøm til opladestationen	8
Unbrakonøgle	1
Afstandsmåler til grænsekablet	2
Knive	9
Batteripakke (KA3022)	1
Batterioplader (KA0200 / KA0201)	1

115
Dk

Det anbefales, at alt udstyr købes i samme butik som maskinen. Se på emballagen til tilbehøret for at få yderligere oplysninger. Få hjælp og råd i butikken.

Beregnet Anvendelse

Dette produkt er beregnet til privat plæneklipping. Den er designet til at slå græs ofte, for at vedligeholde en sundere og bedre udseende plæne end nogensinde før. Afhængig af størrelsen af din plæne, kan Mission™NANO programmeres til at operere på ethvert tidspunkt og på enhver frekvens uden nogen restriktioner. Det er ikke beregnet til grave, fejning eller sne rydning.

Vedligeholdelse

Din Mission™NANO arbejder hårdt, og skal efter et stykke tid rengøres ordentligt, og muligvis have et par dele udskiftet, da disse bliver slidt. Din Mission™NANO skal regelmæssigt ses efter. Brug aldrig din Mission™NANO med defekt tænd/sluk kontakt.

Sluk for maskinen inden servicering eller vedligeholdelse.

I de følgende afsnit fortæller vi dig, hvordan du plejer din Mission™NANO.

1

Hold den skarp

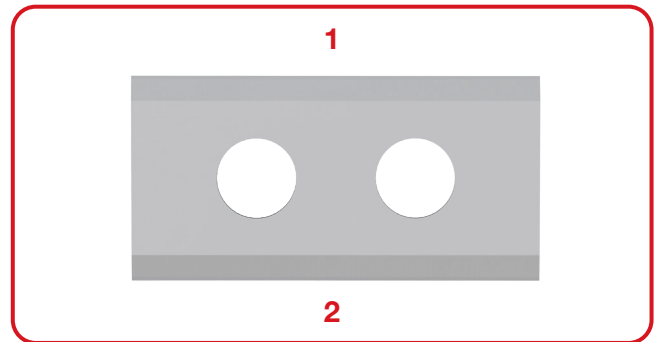


ADVARSEL: Før rengøring, justering eller udskiftning af klingerne, skal du slukke for din Mission™NANO, og tag sikkerhedshandsker på.



ADVARSEL: Ved udskiftning af knive sørg for, at du udskifter ALLE knivene. Brug altid nye skruer, når du skifter knivene. Det er vigtigt for at sikre, at klinger sidder fast, og for at afbalancere klingeundersiden. Brug af gamle skruer kan medføre alvorlige skader.

Mission™NANO Kan ikke klippe græs som andre plæneklippere. Produktets skærekniv er meget skarpt på alle 4 kanter og kan drejes i begge retninger for at opnå maksimal skæreevne. Mission™NANO Hvert blad har 4 skærekanten. Blades roterende skive vil tilfældigt udføre fremad og bagudgående rotation for at bruge 4 skærekanten og minimere hyppigheden af udskiftning af klinger. Efter vedtagelsen af det nye materiale vil levetiden for hvert blad være 3 gange længere end for andre mærkeblade. Kontroller altid klinger for revner eller beskadigelse, og i så fald udskift klinger. Når skærekniven bliver kedelig og slidt, skal den udskiftes med den ekstra kling, der leveres med Mission™NANO. En Kress-forhandler i nærheden af dig kan også levere ekstra knive.



A. Udskiftning af klingerne

116

Dk

Normalt skal knivene på din Mission™NANO vendes hver måned og skiftes hver 2. måned. Så når du skifter klinger, skal du sørge for at skifte dem alle sammen på samme tid. Du kan skifte dem med et af de ekstra klingsæt og ekstra klingskruer, som følger med din Mission™NANO.

Inden du udskifter knive på din Mission™NANO, slå strømmen fra og tag beskyttelseshandsker på. Følg herefter disse trin:

1. Vend forsigtigt din Mission™NANO om på siden.
2. Fjern batteridækslet og fjern batteriet.
3. Skru skruerne på knivene af med en skruetrækker.
4. Fastspænd skruerne på de nye klinger ordentligt.
5. Sæt batteriet og batteridækslet på plads igen.

Vigtigt: Når du har skruet klinger på klingskiven, skal du sørge for at klinger kan dreje frit.



2

Hold den ren



ADVARSEL: Inden rengøring sluk for din Mission™NANO, brug sikkerhedshandsker når du rengør klingskiven, og undgå at bruge rindende vand.

A. Rengøring af karosseriet

Din Mission™NANO vil få et meget lykkeligere og længere liv, hvis den rengøres regelmæssigt. Da Mission™NANO er en elektrisk maskine, skal du dog være påpasselig ved rengøring, **så du MÅ IKKE bruge en slange, højtryksrensere eller på anden måde hælde rindende vand på Mission™NANO.** Det er bedst at bruge en sprayflaske med vand. Når du renser maskinens karosseri, brug en blød børste eller en ren klud og undgå brug af opløsningsmidler eller pudsemidler. Endelig skal du sørge for at fjerne alle rester af græs og snavs.

B. Rengøring af undersiden

Her er det igen vigtigt, at du slukker for din Mission™NANO, **og brug beskyttelseshandsker, før du rører ved klingerne.**

Først skal du vende Mission™NANO om for at få undersiden opad. Her vil du kunne se klingeskiven, karosseriet, forhjulet og baghjulet. Rengør alt grundigt med en blød børste eller en fugtig klud.

⚠ ADVARSEL: Rengør ALDRIG Mission™NANO ens underside ved at spule med vand. Det kan forårsage skader på komponenter.

Drej klingedisken for at sikre at den roterer frit. Kontroller at knivene drejer frit omkring skruerne. Fjern eventuelle forhindringer.

VIGTIGT: Fjern al fastklemt skidt, så det ikke forårsager revner i klingeskiven. Selv den mindste revne kan reducere din Mission™NANO's evne til at slå græs.

C. Rengør kontaktpladerne og opladekontakterne

Rengør kontaktpladerne på opladestationen og opladekontakterne på din Mission™NANO med en klud. Fjern regelmæssigt al ophobet græs og skidt omkring kontaktpladerne og opladekontakterne, så du sikrer, at din Mission™NANO oplades helt hver gang.



3

Batteriliv

Hjertet på din Mission™NANO er dens 20-volt lithium-ion-batteri. For ordentlig opbevaring af batteriet, skal du sørge for at oplade det helt og opbevare det på et køligt og tørt sted med en temperatur på 20°C ± 5°C.

BEMÆRK: Den anbefalede Mission™ driftstemperatur er mellem 0°C - 45°C.

Levetiden på din Mission™NANO's batteri afhænger af forskellige faktorer, såsom:

- Hvor ofte den bruges i en sæson
- Antallet af timer din Mission™NANO slår græs pr. dag
- Hvordan du behandler dit batteri, mens det opbevares

Mission™NANO kan oplades manuelt uden afgrænsningskablet.

1. Slut opladebasen til en passende strømforsyning. Opladningsbasens grønne lampe tændes.
2. Parkér manuelt din Mission™NANO i opladebasen, mens den er slukket.
3. Opladningsbasens grønne lampe skifter til rødt, Mission™NANO vil begynde at oplade.



4

Vinterdvale

Din Mission™NANO vil leve længere og sundere, hvis den får lov til at gå i vinterdvale. Så selvom det er hårdt, så anbefaler vi at du opbevarer din Mission™NANO i dit skur eller garage vinteren over.

Men før du gør din Mission™NANO klar til opbevaring over vinteren, skal du sørge for at:

- Rengøre den ordentligt
- Lade batteriet helt op
- Sluk for den

For at få det meste ud af batteriets levetid, anbefales det at du oplader batteriet helt, før du lægger det til side over vinteren.

! **ADVARSEL: Beskyt Mission™NANO ens underside mod vand. Mission™NANO en må ALDRIG opbevares på hovedet udendørs.**

Græsekablet kan efterlades i jorden, dog skal dens ender skal beskyttes, f.eks. ved at lægge dem i en metaldåse med fedtstof. Hvis du lader opladestationen stå udenfor over vinteren, skal du sørge for at græsekablet er forbundet hertil.

BEMÆRK: Når vinteren er overstået og du tager din Mission™NANO i brug igen, skal du sørge for at opladningspladerne og kontaktpladerne er rene, hvilket er bedst gjort med en fin smergelklud. Sørg for, at datoen og tiden er korrekt, og send herefter din Mission™NANO tilbage til det, den elsker at lave: At slå græs.

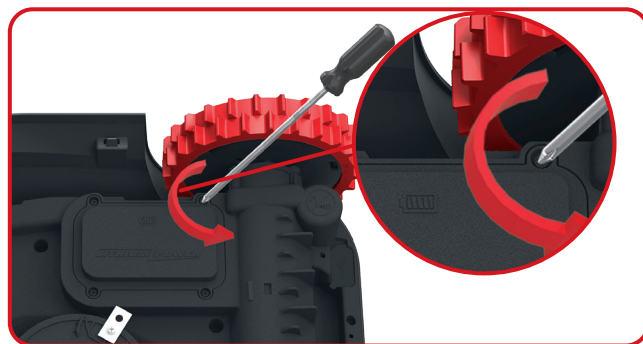
5

Udskiftning af batteriet

! **ADVARSEL: Stil ON/OFF (tænd/sluk) knappen på OFF (slukket), før du foretager nogle justeringer, udskiftninger eller reparationer. Før udskiftning af klingerne, skal du slukke for din Mission™NANO, og tag sikkerhedshandsker på.**

Hvis du skal skifte batteriet, bedes du gøre følgende:

1. Vend forsigtigt din Mission™NANO om på hovedet.
2. Fjern de skruer på batteriet. Fjern batteridækslet.

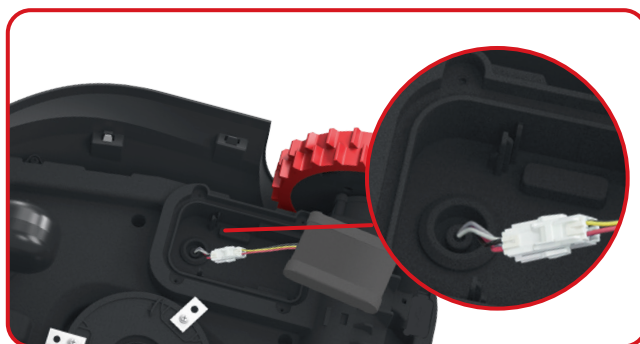
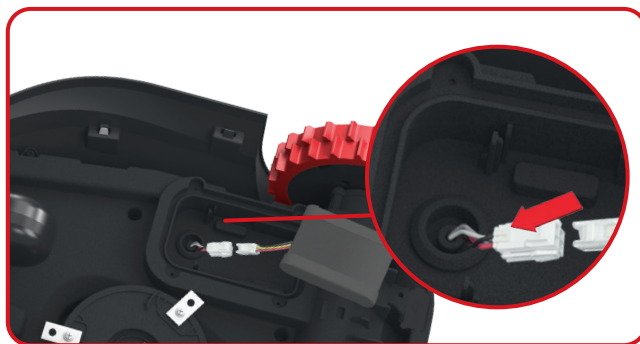


3. Løft det gamle batteri forsigtigt ud. Tryk på låsemekanisme og frigør stikkene.

BEMÆRK: Træk ikke i kablerne. Hold konnektorerne og slå klinken fra.



4. Forbind et nyt originalbatteri ved at sætte konnektorerne sammen, indtil de låser i position.



119

Dk

5. Indsæt batteriet som vist på billedet. Sæt dækslet tilbage på plads og spænd skrueerne fast.



Fejlmeddelelser

Nogle gange går ting galt. Heldigvis er Mission™NANO smart nok til at fortælle dig, hvis den støder på et problem, så du kan udbedre det. Hvis du er i tvivl, kan du besøge vores webside, hvor du finder nyttige videoer og yderligere support.

Meddelelse	Årsag	Handling
E E	Ukendt fejl.	Kontakt kundeservice.
F !	Regnforsinkelse.	Din Mission™NANO starter når det holder op med at regne og regnforsinkelsestiden er udløbet.
E !	Grænsekablet mangler ELLER Mission™NANO er udenfor grænsekablet.	1. Hvis Mission™NANO rent faktisk er uden for sit arbejdsområde: Sluk for strømmen, bring Mission™NANO inden for sit arbejdsområde. Tænd for strømmen. TRYK på START 2. Hvis Mission™NANO er inden for sit arbejdsområde, skal du kontrollere om LED'en på ladestationen er grøn. Hvis ikke, skal du kontrollere, at ladestationen er korrekt forbundet til opladeren, og at opladeren er tilsluttet en passende strømforsyning. Hvis den er korrekt tilsluttet, er grænsekablets to ender tilsluttet forkert og skal tilsluttes omvendt. 3. Tilslut grænsekablets ender omvendt.
E 2	Motorfejl, hjul.	Sluk for strømmen og bring Mission™NANO til et område uden forhindringer. Tænd for strømmen. Tryk start. Hvis fejlmeddelelsen stadig vises, skal du slukke for strømmen. Vend Mission™NANO på hovedet og kontroller om der er noget, der forhindrer hjulene i at rotere. Fjern eventuelle forhindringer, vend Mission™NANO rigtigt, tænd for strømmen.
E 3	Motorfejl, knivblad.	Sluk for strømmen. Vend Mission™NANO på hoved, tag sikkerhedshandsker på for at forhindre personskade og kontroller om der er noget, der forhindrer drejeskiven i at rotere. Fjern eventuelle forhindringer Vend Mission™NANO rigtigt og bring den til et område med kort græs eller tilpas klippehøjden; Tænd for strømmen. Tryk start.
E 4	Fejl, spærret inde.	Sluk for strømmen. Bring Mission™NANO til et område på din græsplæne uden forhindringer, tænd for strømmen. Tryk start. Hvis fejlmeddelelsen stadig vises: Sluk for strømmen, vend Mission™NANO på hoved. Kontroller om der er noget, der forhindrer hjulene i at rotere. Fjern eventuelle forhindringer, vend Mission™NANO rigtigt, tænd for strømmen.
E 5	Fejl, løftet op.	Sluk for strømmen. Bring Mission™NANO til et område uden forhindringer, tænd for strømmen. Tryk start. Hvis fejlmeddelelsen stadig vises: Sluk for strømmen, vend Mission™NANO på hoved og kontroller, om der er noget, der kunne forårsage, at Mission™NANO blev løftet op. Fjern ethvert muligt objekt, vend Mission™NANO rigtigt, tænd for strømmen.

E6	Fejl, vendt på hovedet (væltet).	Vend Mission™NANO rigtigt.
E7	Batteriopladningsfejl.	1) Batteriets temperatur er for høj (over 55°C) under opladning. Anbring ladestationen i skygge eller vent indtil den er afkølet. 2) Batteriets temperatur er for lav. Udetemperaturen tillader ikke din Mission™NANO at operere. Det er tid til at stille den væk for vinteren. 3) Dårlig forbindelse: Kontroller forbindelsen mellem ladekontakten på ladestationen og ladepolerne på Mission™NANO, og at ladestationen er placeret på et jævnt underlag. 4) Strømforsyningen er afbrudt: Kontakt kundeservice.
E8	Fejl, find hjem-timeout.	1) Ladestationen er placeret dårligt (ikke på et jævnt underlag), Mission™NANO kan ikke finde ladekontakten på ladestationen og stopper ikke. Kontroller ladestationen. 2) Mission™NANO løber tør for batteri, inden den når tilbage til ladestationen. Det forlængede grænssekabel må ikke være længere end 350 meter.
E9	Med 'Låsefunktionen' aktiveret, hvis din Mission™NANO ikke modtager et signal fra din Wi-Fi-router i 3 dage, låses den som en sikkerhedsforanstaltning. Dette kan forekomme, hvis din router er uden strøm, eller hvis du har fået ny WiFi-router eller skiftet netværksudbyder.	Forbind Mission™NANO til det Wi-Finetwork, som den oprindeligt var parret med. Hvis dette ikke er muligt, kontakt kundeservice.
E4:60 E4:61 E4:62 E4:63 E4:64	Opdateringsfejl af softwaremodul kan forekomme.	Kontrollér, at modulet er korrekt forbundet. Kontroller, at filen, der er kopieret til USB-stikket, ikke er beskadiget. Sluk og tænd for strømmen og forsøg at opdatere softwaren igen.
E4:50 E4:51 E4:52 E4:80 E4:81 E4:82 E4:83 E4:84 E4:80	Fejl ved softwareopdatering kan forekomme.	Prøv venligst softwareopdateringen igen eller kontakt Kundeservice

BEMÆRKNINGER


- Kontroller altid, at Mission™NANO er inden for sit arbejdsområde, inden du tænder for strømmen. Hvis ikke, vises meddelelsen "Udenfor arbejdsområdet! Tryk på "START" for at nulstille". Denne meddelelse vises også, når Mission™NANO den delvist, men ikke helt er inde i arbejdsområdet.
- Hvis du af en eller anden grund (fx en fest, legende børn), vil parkere din Mission™NANO i ladestationen: tryk på hjem og derefter OK. Mission™NANO vil køre til sin ladestation og blive der. Bemærk, at Mission™NANO nu venter til næste planlagte græsslåning. Hvis du på et senere tidspunkt ønsker genstarte den, tryk start og derefter OK.
- Hvis der gentagne gange opstår samme fejl, i samme område af din græsplæne, har du muligvis problemer med grænssekablet. Se venligst installationsvejledningen og kontroller, at din opsætning er korrekt iht. den.
- Hvis din græsplæne er opdelt i to adskilte områder, der er forbundet med en korridor mindre end 1 meter bred, hvoraf den ene ikke er forsynet med nogen ladestation: Når Mission™NANO løber tør for strøm, skal du manuelt bringe den tilbage til ladestationen.
- Hvis Mission™NANO en gang imellem kører unormalt, skal du nulstille den, ved at slukke for den og fjerne batteriet i 30 sekunder, og derefter genstarte den. Hvis problemet ikke kan løses, skal du kontakte vores

Fejlfinding

Hvis din Mission™NANO ikke virker ordentligt, bedes du følge fejlfindingen nedenfor. Hvis problemet stadig ikke er løst, bedes du venligst kontakte din forhandler.

Symptom	Årsag	Løsning
LED-lyset på opladestationen tænder ikke	Der er ingen strøm.	Tjek, at strømkablet er korrekt tilsluttet og at opladningsstationen er forbundet til en egnet strømkilde.
Rødt lys tænder for opladningsbasen.	Grænsekablet er ikke tilsluttet.	Tjek, at grænsekablet er forbundet korrekt til opladningsstationen. Kontrollér grænselinjen for brud, især ved ledningens ende.
Din Mission™NANO er inden for sit område, men displayet viser "– E !–" og knappen LYSER grønt.	Grænsekablet er fastgjort ukorrekt til klemmen.	Vend grænsekablets ender.
Min Mission™NANO parkerer ikke ordentligt i opladningsbasen.	Miljømæssige påvirkninger.	Genstart din Mission™NANO.
	Dårlig forbindelse forårsaget af snavs på opladningsstrippen.	Rengør kontaktbenene placeret i opladningsstationen. og opladningsstrippen på Mission™NANO ved hjælp af en klud.
Mission™NANO kører uden for grænsekablet. Mission™NANO slår ikke området inden for grænsekablets zone. Mission™NANO vender eller drejer sig uregelmæssigt nær grænsekablet.	Der findes et grænsekabel fra en anden Mission™NANO eller græsslåmaskine, som er for tæt på din.	Sørg for, at der er mindst 1 m mellem dit grænsekabel og din nabos grænsekabel.
	Afgrænsningskablet er blevet udlagt med skarpe hjørner.	Kontrollér afgrænsningskablet for at sikre, at hjørnerne er afrundede.
	Under våde forhold vil grænsekablets elektriske signal kunne lække, de steder, hvor kablet er blevet samlet eller repareret.	Tjek grænsekablets samlinger. Isolér for en helt vandtæt forbindelse.
	Der er en lækage i grænsekablets elektriske signal på grund af brudt isolering.	Reparér den beskadigede grænsekabelisolering med isoleringstape.
	Klippeområdet er større end det tilladte klippeområde for Mission™NANO.	Reduce skæreeområde eller Mission™NANO.
Mission™NANO kører ud over kantråden i høj fart, når den kører ned ad en bakke	Kantråden er udlagt på en stigning på mere end 17% (10°).	Omlæg kantråden, så du undgår stigninger eller fald på mere end 17% (10°).

Miljøbeskyttelse

 Affald af elektriske produkter må ikke bortskaffes sammen med husholdningsaffald. Du bedes venligst genbruge affaldet hvis muligt. Kontakt de lokale myndigheder eller forhandleren, hvis du er i tvivl.

Konformitetserklæring

Vi,
Positec Germany GmbH
Postfach 32 02 16, 50796 Cologne, Germany

På vegne af Positec erklæres at produktet
Beskrivelse **GRÆSSLÅMASKINE-ROBOT**
Type **KR101E (100-199 - udpegning af maskiner, repræsentant for GRÆSSLÅMASKINE-ROBOT) (År, varenummer og serienummer er placeret på bagsiden. Det komplette serienummer er tydeligt angivet på plæneklipperen) med batteriladerKA0200 / KA0201 og opladningsbasis KA0071**
Funktion **Græsklipning**

Er i overensstemmelse med følgende direktiver,
2006/42/EC, 2014/30/EU, 2014/35/EU, 2011/65/EU, 2000/14/EC ændret ved 2005/88/EC, 2014/53/EU

2000/14/EC ændret ved 2005/88/EC

- Konformitetstestprocedure pr.	Anneks V
- Målt niveau for lydeffekt	65.5 dB (A)
- Deklareret garanteret niveau for lydeffekt	67 dB (A)

Det bemyndigede organ, Intertek, Semko AB, NB-nr. 0413, har udført en EU-typeundersøgelse iht. Direktiv 2014/53/EU og udstedt følgende EU-typeundersøgelsescertifikat: SE-RED-2200106

Standarder i overensstemmelse med,

Til plæneklipper: EN 50636-2-107:2015+A1:2018+A2:2020+A3:2021, EN 60335-1:2012+A11:2014+A13:2017+A1:2019+A2:2019+A14:2019+A15:2021, EN IEC 62311:2020, EN IEC 55014-1:2021, EN IEC 55014-2:2021, EN IEC 61000-3-2:2019+A1:2021, EN 61000-3-3:2013+A1:2019+A2:2021

Til induktionsloopssystem: EN 303 447 V1.1.1

Til ultrasonisk modul: EN 55011:2016+A11:2020

Til Bluetooth- og wifi-modul (2,4 G): EN 301 489-1 V2.2.3, EN 301 489-17 V3.2.4, EN 300 328 V2.2.2

Til oplader: EN IEC 55014-1:2021, EN IEC 55014-2:2021, EN IEC 61000-3-2:2019+A1:2021, EN 61000-3-3:2013+A1:2019+A2:2021, EN IEC 60335-2-29:2021+A1:2021, EN 60335-1:2012+A11:2014+A13:2017+A1:2019+A2:2019+A14:2019+A15:2021, EN 62233:2008

Til støj: EN ISO 3744:2005

Til RoHS: EN IEC 63000:2018

Personen, autoriseret til at udarbejde den tekniske fil,

Navn Marcel Filz

Adresse Positec Germany GmbH Postfach 32 02 16, 50796 Cologne, Germany



2023/09/19

Allen Ding

Vicechef; Ingeniør, Test & Certificering

Positec Technology (China) Co., Ltd.

18, Dongwang Road, Suzhou Industrial

Park, Jiangsu 215123, P. R. China

Produktsikkerhet

Generelle og spesifikke sikkerhetsadvarsler



ADVARSEL Les gjennom alle advarslene og alle anvisningene. Hvis advarslene og anvisningene ikke følges, kan det forårsake elektriske støt, brann og/eller alvorlige skader.

Les nøye gjennom anvisningene for trygg bruk av maskinen.

Ta vare på alle advarsler og anvisninger slik at du kan lese dem senere.

- Dette produktet er ikke ment for bruk av personer (også barn) med begrensede fysiske, sensoriske eller mentale funksjonsevner, eller som mangler erfaring eller kunnskaper, hvis de ikke blir passet på eller har fått opplæring i bruk av produktet av en person som er ansvarlig for deres sikkerhet.
- Barn bør holdes under oppsyn for å være sikker på at de ikke leker med produktet.
- Batteriet i denne enheten kan bare byttes ut av dyktig personell.
ADVARSEL: For å lade batteriet, bruk bare den flyttbare strømforsyningsenheten som følger med enheten.

124

Nor

VIKTIG!

LES NØYE FØR BRUK

TA VARE PÅ TIL SENERE BRUK

Rutiner for trygg bruk

Opplæring

- Les nøye gjennom anvisningene. Vær sikker på at du forstår anvisningene, og er fortrolig med knappene og hvordan produktet skal brukes på riktig måte.
- Ikke la personer som ikke kjenner anvisningene, eller barn, bruke produktet. Lokale bestemmelser kan angi aldersgrense for bruk.
- Brukeren er ansvarlig for ulykker eller fare andre personer utsettes for, på sin eiendom.

Forberedelser

- Kontroller at installeringen av grensetråden er gjort iht. anvisningene.
- Foreta jevnlig inspeksjoner av området der produktet skal brukes, og fjern alle

steiner, pinner, ledninger, bein og andre fremmedlegemer.

- Se etter skader eller slitasje på bladene, bladskruene og kuttemonteringen med jevnt mellomrom. Bytt ut hele settene av slitte eller skadde blader og skruer for å sikre at de er balansert.
- Multispindelprodukter bør håndteres forsiktig, fordi et roterende blad kan få andre blader til å rotere.
- ADVARSEL Produktet skal aldri brukes med defekt beskyttelse, eller uten sikkerhetsenheter.

Bruk

1. Generelt

- Produktet skal aldri brukes med defekt beskyttelse, eller uten sikkerhetsenheter som for eksempel deflektorer, på plass.
- Hender og føtter skal ikke komme nær eller under roterende deler. Aldri kom nær utslippsåpningen.
- Aldri løft eller bær et apparat med motoren i gang.
- Bruk deaktiveringssenheten på maskinen
 - Før noe som blokkerer fjernes;
 - Før du kontrollerer, renser eller arbeider med apparatet;
 - Inspisere maskinen for skade etter den har truffet et fremmedlegeme;
 - Se etter skader før maskinen startes på nytt hvis den begynner å vibrere unormalt.
- Det er ikke tillatt å endre på originalutformingen av robotgressklipperen. Alle endringer gjøres på egen risiko.
- Start robotgressklipperen iht. anvisningene. Når strømmen er på, må du holde hender og føtter borte fra de roterende bladene. Du må aldri ha hender eller føtter under gressklipperen.
- Løft aldri opp robotgressklipperen eller bær den når strømmen er på.
- Personer som ikke vet hvordan robotgressklipperen fungerer eller virker, skal ikke bruke den.
- Ikke legg noe på toppen av robotgressklipperen eller ladestasjonen.
- Robotgressklipperen skal ikke brukes hvis bladskive eller konstruksjon er defekt. Den bør heller ikke brukes hvis blader, skruer, muttere eller kabler er skadet.
- Slå alltid av robotgressklipperen med hovedbryteren når du ikke skal bruke den. Robotgressklipperen kan bare starte når strømmen er på og riktig PIN-kode er angitt.
- Hold hender og føtter vekk fra roterende

blader. Plasser aldri hendene eller føttene nærme eller under kroppen når robotgressklipperen er i drift.

- m) Unngå å bruke maskinen og utstyret under dårlige værforhold, spesielt om det finnes risiko for lyn.
- n) Ikke rør farlige bevegelige deler før de har stanset helt opp.
- o) For maskiner som brukes i fellesområder, skal advarselsskiltene plasseres rundt arbeidsområdet av maskin. De skal vise innholdet i følgende tekst:
Advarsel! Automatisk gressklipper! Hold deg vekk fra maskinen! Overvåke barn!

2. I tillegg, når produktet går automatisk

- a) Ikke la maskinen gå uten oppsyn hvis du vet at det er kjæledyr, barn eller andre personer i nærheten.

Vedlikehold og lagring



ADVARSEL! Når klipperen er snudd på hodet, må strømmen alltid være slått av.

Strømmen skal være slått av under alt arbeid på klipperen under rammen, for eksempel rengjøring eller bytte av kniver.

- a) Pass på at alle muttere, bolter og skruer er godt festet slik at produktet kan brukes på en trygg måte.
- b) Sjekk robotgressklipperen hver uke og bytt ut slitte eller skadde deler, av sikkerhetshensyn.
- c) Spesielt bladene og bladskiven må sjekkes for skader. Bytt om nødvendig ut alle blader og skruer samtidig, slik at de roterende delene er balansert.
- d) Kontroller at det bare brukes kuttedelene av riktig type.
- e) Kontroller at batteriet lades med riktig lader anbefalt av produsenten. Feil bruk kan føre til elektrisk støt, overoppheting eller lekkasje av etsende væske fra batteriet.
- f) Hvis elektrolytt lekker ut, skyl med vann/ nøytraliserende middel, og oppsøk lege hvis det kommer i kontakt med øynene, osv.
- g) Service på produktet skal foretas i henhold til produsentens anvisninger.

Anbefaling

Å koble maskinen og/eller utstyret kun til en strømforsyning som er beskyttet med en jordfeilbryter (RCD) som slår ut ved strøm på mer enn 30 mA.

Restrisiko

For å unngå skade brukes vernehansker når knivene skiftes.

Transport

Bruk originalemballasjen når robotgressklipperen skal fraktes over lengre avstander.

Slik beveger du deg trygt fra eller innenfor arbeidsområdet:

- a) Trykk på STOP-tasten for å stoppe gressklipperen.
Du velger en firesifret PIN-kode når du starter gressklipperen første gang.
- b) Slå alltid av robotgressklipperen hvis den skal bæres.
- c) Gressklipperen skal bæres ved å holde i håndtaket på fronten av den. Bær gressklipperen med bladskiven pekende vekk fra kroppen.

RF eksponeringskrav

For å tilfredsstille RF-eksponeringskrav, bør en separasjonsavstand på 200mm eller mer opprettholdes mellom denne enheten og personer under enhetsoperasjon.

For å sikre overholdelse anbefales ikke operasjoner på nærmere enn denne avstanden. Antennen som brukes til denne senderen, må ikke plasseres sammen med andre antenner eller sendere.

Dette er et apparat i klasse III som kun skal forsynes med ekstra lav spenning tilsvarende merkingen på apparatet.

Sikkerhetsadvarsler for batteripakke inne i verktøyet

- a) **Ikke demonter, åpne eller riv opp sekundære celler eller batteripakker.**
- b) **Ikke kortslutt en celle eller en batteripakke. Ikke oppbevar celler eller batteripakke løst i en boks eller skuff hvor de kan kortslutte hverandre eller bli kortsluttet av andre metallgjenstander. Når batteripakken ikke er i bruk skal den holdes adskilt fra andre metallgjenstander som binders, mynter, nøkler, spiker, skruer eller andre små metallobjekter. Kortslutning av batteriet kan forårsake skader eller brann.**
- c) **Ikke utsett celler eller batteripakke for varme eller ild. Unngå oppbevaring i direkte sollys.**
- d) **Ikke utsett celler eller batteripakke for mekanisk støt.**
- e) **Hvis du opplever cellelekkasje, ikke la**

væsken komme i kontakt med huden eller øynene. Dersom kontakt har oppstått, vask området med rikelige mengder vann og oppsøk medisinsk hjelp.

- f) Søk medisinsk hjelp umiddelbart hvis en celle eller batteripakke har blitt svelget.
- g) Hold batteripakken ren og tørr.
- h) Bruk kun batterilader spesifisert av Kress. Bruk ikke andre ladere enn de som er levert for bruk med utstyret.
- i) Ikke bruk batteripakker som ikke er beregnet for bruk sammen med utstyret.
- j) Hold batteripakken utenfor barns rekkevidde.
- k) Ta vare på den originale bruksanvisningen for fremtidig bruk
- l) Kvitt deg med produktet på forsvarlig måte.
- m) Ikke bland batterier av forskjellig produksjon, kapasitet, størrelse eller type i enheten.
- n) Advarsel! Ikke bruk ikke-oppladbare batterier.

Brukerhåndboks krav for trådløst produkt

- a) Bruk av denne enheten er underlagt følgende to betingelser:
 - (1) Denne enheten kan ikke forårsake skadelig interferens, og
 - (2) denne enheten må akseptere all interferens som mottas, inkludert interferens som kan forårsake uønsket drift.
- b) Forsiktig: Endringer eller modifikasjoner av denne enheten som ikke er uttrykkelig godkjent av parten som er ansvarlig for samsvar, kan ugyldiggjøre brukerens rett til å bruke utstyret.
- c) MERK: Dette utstyret genererer, bruker og kan utstråle radiofrekvensenergi, og hvis det ikke installeres og brukes i samsvar med instruksjonene, kan det forårsake skadelig interferens for radiokommunikasjon. Det er imidlertid ingen garanti for at interferens ikke vil oppstå i en bestemt installasjon. Hvis dette utstyret forårsaker skadelig interferens for radio eller TV-mottak, noe som kan fastslås ved å slå utstyret av og på, oppfordres brukeren til å prøve å korrigere interferensen med ett eller flere av følgende tiltak:
 - Reorienter eller flytt mottakerantennen.
 - Øk avstanden mellom utstyret og mottakeren.
 - Koble utstyret til en stikkontakt på en annen krets enn den mottakeren er koblet til.
 - Konsulter forhandleren eller en erfaren radio/ TV-tekniker for å få hjelp.

Symboler



ADVARSEL – robotgressklippere kan være farlige hvis de brukes på feil måte.

Les nøye gjennom bruksanvisningen og pass på at du forstår innholdet før du bruker robotgressklipperen.



ADVARSEL - hold deg på god avstand fra maskinen når du bruker den.



ADVARSEL – Slå gressklipperen av før du utfører arbeide på eller løfter maskinen.



ADVARSEL – ikke ri på maskinen.



Klasse III apparat



Avfall etter elektriske produkter må ikke legges sammen med husholdningsavfall. Vennligst resirkuler avfallet der dette finnes. Undersøk hos de lokale myndighetene eller en detaljist for resirkuleringsråd.



Litiumionbatteri Som er merket med symbolene knyttet til "separat samling" av alle batteripakker og batteripakker. Det blir deretter resirkulert eller fjernet for å redusere miljøbelastningen. Batteripakken kan være skadelig for miljøet og menneskers helse fordi det inneholder skadelige stoffer.



Må ikke brennes



Hvis det ikke håndteres på riktig måte, kan batteriet komme inn i vannsyklusen, noe som kan forårsake skade på økosystemet. Ikke kast brukte batterier som usortert kommunalt avfall.



Ikke vask maskinen med en høytrykksspyler

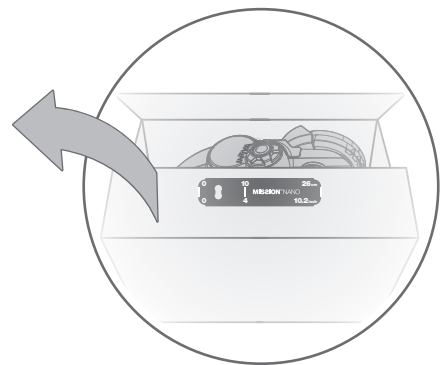
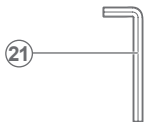
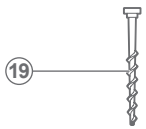
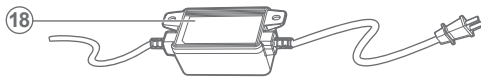
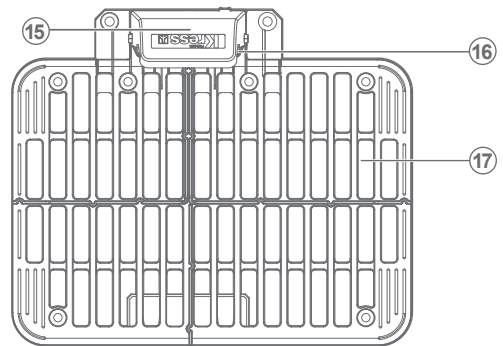
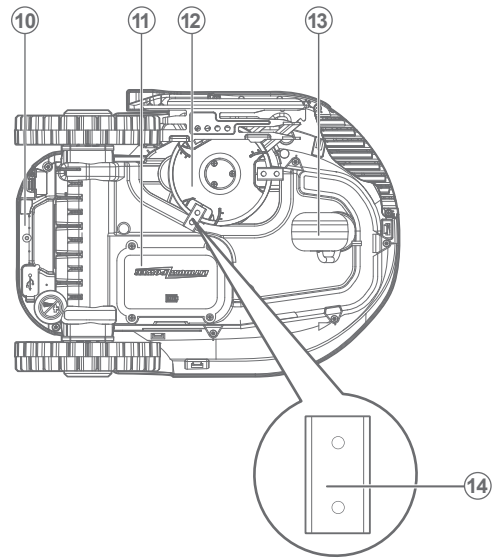
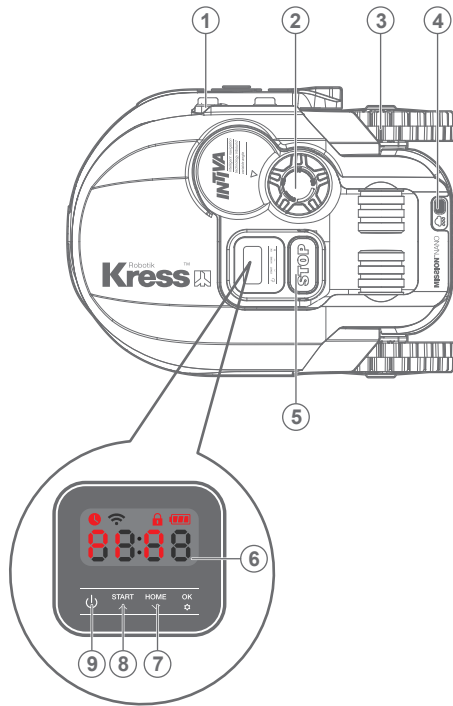


Les bruksanvisningen



Avtakbar forsyningsenhet

Komponentenliste



- | | |
|--------------------------------------|-----------------------------------|
| 1. LADESTRIPE | 12. DREIESKIVE MED SKJÆREBLAD |
| 2. Justeringsknappen for klippehøyde | 13. FORHJUL |
| 3. BAKRE FØRERHJUL | 14. SKJÆREBLAD |
| 4. REGNSENSOR | 15. Beskyttelsesdeksel |
| 5. STOPP-tast | 16. KONTAKTPINNER |
| 6. VISNING | 17. LADEBASE |
| 7. HOME-tasten | 18. STRØMADAPTER |
| 8. START-tasten | 19. FESTESPIKER FOR LADEBASEN |
| 9. På / Av Bryter | 20. AVSTANDSHOLDER TIL GRENSETRÅD |
| 10. HÅNDTAK | 21. SEKSKANTNØKKE |
| 11. BATTERIPAKKE | |


Tekniske Data

Type **KR101E (100-199 - typebetegnelse til maskin, Robot-gressklipper)**

Merkespenning	20 V \equiv Max.*
Hastighet uten belastning	2800 /min
Kutteområde	600 m ²
Skjærediameter	18 cm
Klippehøyde	30-60 mm
Klippehøyde posisjoner	4
Batteri type	Lithium-ion
Batteri modell	KA3022
Ladings tid ca.	105 min
Lade modell	KA0200 / KA0201
Lade vurdering	Inngang: 100-240 V~50/60 Hz, 38 W, Utgang: 20 V, 1.5 A
Maskinens vekt	8.95 kg
Beskyttelsesklasse	III
App	Y
Maksimal skråning innenfor arbeidsflaten	35%
Frekvensbånd for Bluetooth (MHz)	2400-2483.5 MHz
Maksimal overført kraft for Bluetooth (dBm)	8 dBm
Frekvensbånd for Wi-Fi (MHz)	2400-2483.5 MHz
Maksimal overført effekt for Wi-Fi (dBm)	20 dBm
Frekvensbånd av det induktive sløyfesystemet	77 Hz
Maksimal. RF-effekt av det induktive sløyfesystemet	82 dB μ A/m

*Spenning målt uten belastning. Batterispenningen er 20 V til å begynne med. Nominell spenning er 18 V.

Støyinformasjon

Belastning lydtrykk	$L_{pA} = 45.5 \text{ dB (A)}, K_{pA} = 0.6 \text{ dB(A)}$
Belastning lydeffekt	$L_{wA} = 65.5 \text{ dB (A)}, K_{wA} = 0.6 \text{ dB(A)}$
Bruk hørselsvern når lydtrykket er over	80 dB(A) 

En viss grad av støy fra maskinen er uungåelig. Støyende arbeide må godkjennes og begrenses til visse perioder. Overhold hvileperiode, og begren arbeidstid til et minimum. For personlig beskyttelse og beskyttelse for mennesker som arbeider i nærheten, må passende hørselsvern benyttes.

Tilleggsutstyr

Skruer	9
Ladestasjon	1
Festeskrue til ladestasjonen	8
Sekskantnøkkel	1
Avstandsmåler for grensetråd	2
130 Blader	9
Nor Batteripakke (KA3022)	1
Lader(KA0200 / KA0201)	1

Vi anbefaler at du kjøper alt ekstrautstyr fra butikken der du kjøpte dette verktøyet. Henviser til tilbehørspakningen for videre detaljer. Butikkpersonalet kan også gi hjelp og råd.

Formålmessig bruk

Dette produktet er beregnet for gressklipping på private eiendommer. Den er konstruert for å klippe plenen regelmessig, slik at du får en penere plen en noen gang før. Avhengig av hvor stor plenen er, kan du programmere Mission™NANO til å arbeide når som helst eller med jevne mellomrom. Den er ikke ment for graving, feiing eller snørydding.

Vedlikehold

Mission™NANO bør sjekkes av og til. Mission™NANO jobber hardt, og over tid trenger den en skikkelig rengjøring, og deler må byttes når de er slitt. Bruk aldri Mission™NANO med ødelagt På/av-bryter. Slå av maskinen for å utføre enhver type av service eller vedlikehold. Nedenfor skal vi forklare hvordan du tar vare på din Mission™NANO.

1

Hold den skarp

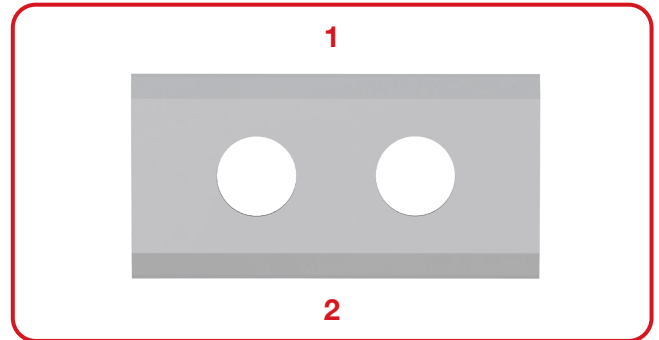


ADVARSEL: Før rengjøring, justering eller bytting av blader må du slå din Mission™NANO AV, og du må bruke beskyttelseshansker.



ADVARSEL: Ved utskifting av knivene må ALLE knivene skiftes. Bruk alltid nye skruer når du monterer blader. Dette er viktig for å sikre sammenslåingen av bladene og balansen på rotasjonsplaten. Hvis det ikke brukes nye skruer kan det forårsake alvorlig personskade.

Mission™NANO Kan ikke klippe gress som andre gressklippere. Skjærebladet til dette produktet er veldig skarpt på alle 4 kanter og kan roteres i begge retninger for å oppnå maksimal skjærekapasitet. Mission™NANO Hvert blad har 4 skjærekanter. Bladroterende disk vil tilfeldig rotere fremover og bakover for å bruke 4 skjærekanter og minimere hyppigheten av bladutskifting. Etter at det nye materialet er tatt i bruk, vil levetiden til hvert blad være tre ganger lengre enn for andre merker av kniver hver dag som er programmert til å klippe. Sjekk alltid kniven for sprekker eller skader, og erstatt i så fall kniven. Når skjærebladet blir sløvt og slitt, bør det byttes ut med reservebladet som følger med Mission™NANO. En Kress-forhandler i nærheten av deg kan også skaffe ekstra kniver.



A. Erstatt bladene

Normalt må bladene til Mission™NANO reverseres hver måned og skiftes ut hver 2. måned. Derfor må du bytte alle bladene samtidig. Du kan erstatte dem med et av de ekstra bladsettene og bladskruesettene som fulgte med Mission™NANO.

Før du begynner å skifte ut Mission™NANOs kniver, skru av strømmen og ta på deg beskyttelseshansker. Deretter følger du følgende trinn:

1. Snu Mission™NANO forsiktig rundt.
2. Fjern batteridekselet og ta ut batteriet.
3. Ta skruene av knivene med en skrutrekker.
4. Skru de nye bladene godt fast.
5. Sett inn batteriet og batteridekslet.

Viktig: Etter at bladene er skrudd fast i bladskiven, må du sjekke at bladene roterer fritt.



2

Hold den ren



ADVARSEL: Slå AV din Mission™NANO før rengjøring. Ta på deg beskyttelseshansker før du rengjør bladskiven, og unngå bruk av rennende vann.

A. Vaske karosseriet

Mission™NANO lever mye lengre og lykkeligere hvis den rengjøres regelmessig. Men husk at Mission™NANO er en elektrisk maskin, så du må være forsiktig når du rengjør den. **IKKE bruk vannslange eller tøm rennende vann på Mission™NANO.** Det er best å bruke en sprayflaske med vann. Når du rengjør maskinen utvendig bør du bruke en myk børste eller en ren klut og unngå bruk av løsemidler eller poleringsmidler. Og pass til slutt på at du fjerner alt gress og rusk.



B. Vaske undersiden av maskinen

Også nå er det viktig å slå av Mission™NANO og **ta på beskyttelseshansker før man rører bladskiven.**

Først, vend din Mission™NANO opp-ned for å komme til på undersiden. Her ser du bladskiven, motorrammehuset rundt, samt forhjul og drivhjul. Rengjør alt grundig med en myk børste eller fuktig klut.

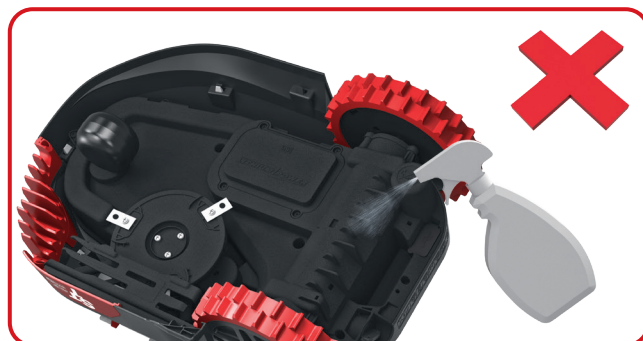
⚠ ADVARSEL: Rengjør ALDRI undersiden av Mission™NANO med spyllende vann.

Deler kan bli skadet.

Roter bladskiven for å sikre at den roterer fritt.

Sjekk at bladene spinner fritt rundt festeskruene.

Fjern eventuelle hindringer.



VIKTIG: Fjern avfall som har kilt seg fast slik at det ikke forårsaker hakk i bladskiven. Selv små hakk kan forringe Mission™ s klippeegenskaper.



C. Rengjør kontaktpunktene og ladestripene

Rengjør kontaktpinnen på ladebasen og ladestripen på Mission™NANO med en klut. Fjern all oppsamling av klippet gress og avfall rundt kontaktpinnene og ladestripene med jevne mellomrom for å sikre at Mission™NANO lades opp hver gang.

3

Batterilevetid

Hjertet i Mission™NANO er litium-ionbatteriet på 20V. Riktig oppbevaring av batteriet innebærer at det er fulladet og settes på et tørt sted med en temperatur mellom 20°C ± 5°C.

MERK: Den anbefalte brukstemperaturen for Mission™NANO er mellom 0°C - 45°C.

Levetiden til Mission™NANO s batteri avhenger av forskjellige faktorer, som for eksempel:

- hvor lang klippesesongen er der du bor
- hvor mange timer Mission™NANO klipper per dag
- hvordan batteriet behandles under lagring

Mission™NANO kan lades manuelt uten grensetråden.

1. Koble ladebasen til en passende strømkilde. Det grønne lyset på ladestasjonen vil slå på.
2. Forankre Mission™NANO manuelt i ladebasen mens Mission™NANO er slått av.
3. Det røde lyset på ladebasen vil tennes, Mission™ vil starte å lade.



4

Vinterdvale

Mission™NANO får lengre levetid og fungerer bedre hvis den får gå i dvale om vinteren. Så selv om det er tøft, anbefaler vi at du lagrer Mission™NANO i uteboden eller garasjen om vinteren.

Før du lagrer Mission™ for vinteren, må du huske følgende:

- Rengjør Mission™NANO skikkelig.
- Lad batteriet helt opp.
- Slå av strømmen.

For å maksimere batteriets levetid anbefales det å lade det helt opp før det settes bort for vinteren.

! **ADVARSEL: Beskytt undersiden av Mission™NANO-en mot vann. Lagre ALDRI Mission™NANO opp-ned utendørs.**

Grensetråden kan bli liggende på bakken, men endene bør beskyttes, for eksempel ved å plassere dem i en hermetikkboks med smørefett. Hvis ladestasjonen står ute om vinteren, la grensetråden være koblet til.

OBS! Når Mission™NANO tas fram igjen etter vinterdvalen, må du kontrollere at ladestrimmel and kontaktpinner er rene. Det er best å bruke finkornet smergellerret til dette. Deretter sjekker du at dato og klokkeslett er riktig, og setter Mission™NANO i gang med å gjøre det den liker best; å klippe gress.

133

Nor

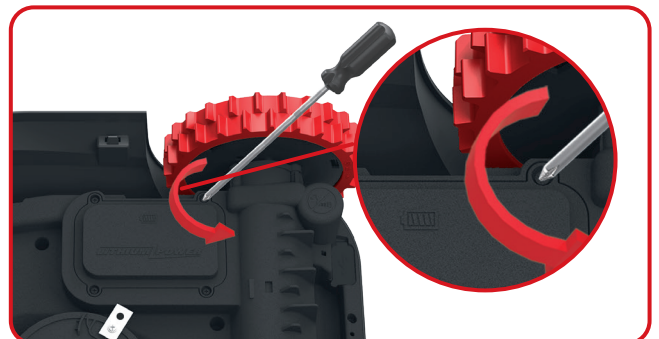
5

Bytt ut batteriet

! **ADVARSEL: Slå av maskinen før du justerer, bytter eller reparerer noe som helst. Før bytting av blader må du slå din Mission™NANO AV, og du må bruke beskyttelseshansker.**

Når du skal bytte batteriet, følger du disse trinnene:

1. Snu Mission™NANO forsiktig opp-ned.
2. Fjern de skruene fra batteriet. Ta av batteridekselet.

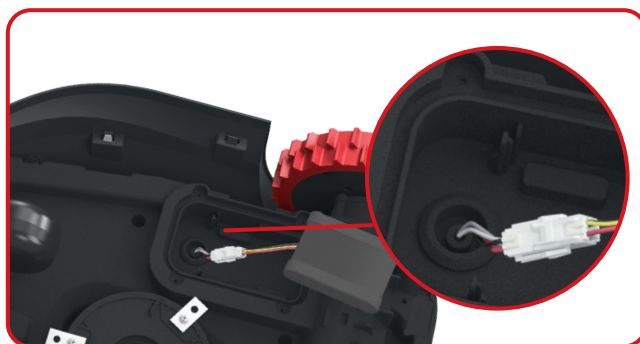
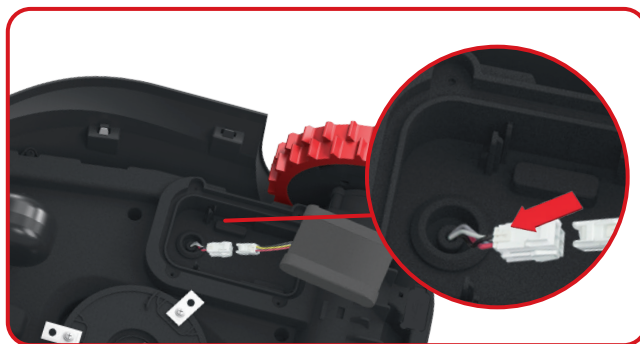


3. Løft forsikring ut det gamle batteriet. Trykk inn låsen og løs ut kontaktene.

OBS: Ikke trekk i ledningene. Hold kontaktene og frigjør låsen.



4. Koble til et nytt originalbatteri ved å feste kontaktene sammen til den låses på plass.



5. Sett inn batteriet som vist. Sett dekselet tilbake på plass og fest skruene godt.



Feilmeldinger

Av og til kan ting gå galt. Heldigvis er Mission™NANO smart nok til å si ifra hvis det oppstår et problem, slik at du kan løse det. Hvis du er usikker, kan du gå til nettsiden vår, der du finner nyttige videoer og ytterligere brukerstøtte.

Elding	Årsak	Handling
EE	Ukjent feil.	Ta kontakt med kundeservice.
F I	Regnforsinkelse.	Mission™NANO starter når det har sluttet å regne, og regnforsinkelsen er over.
E I	Det mangler en grenseledning ELLER Mission™NANO befinner seg utenfor ledningen.	<p>1. Hvis Mission™NANO faktisk er utenfor arbeidsområdet: Slå den av og ta den med tilbake til arbeidsområdet. Slå den på. TRYKK START .</p> <p>2. Sjekk om LED-lampen på ladestasjonen lyser grønt hvis Mission™NANO er innenfor arbeidsområdet. Hvis ikke, sjekk at ladestasjonen er riktig koblet til laderen, og at laderen er koblet til et passende strømuttak. Hvis de er riktig tilkoblet er det grenseledningen som er festet feil, og må festes på nytt.</p> <p>3. Bytt om på ledningsendene.</p>
E 2	Feil på motorhjul.	<p>Slå av strømmen og ta med Mission™NANO til et område uten hindringer. Slå den på. Trykk på start.</p> <p>Slå av strømmen hvis feilmeldingen fortsatt vises. Snu Mission™NANO opp ned og sjekk om det er noe som hindrer hjulene i å rotere.</p> <p>Fjern det som er i veien, snu Mission™NANO tilbake og slå på strømmen.</p>
E 3	Feil på motorblad.	<p>Slå den av.</p> <p>Snu Mission™NANO opp ned, ta på sikkerhetshansker for å forhindre skader, og sjekk om det er noe som gjør at bladene ikke får rotert.</p> <p>Fjern eventuelle hindringer.</p> <p>Snu Mission™NANO riktig vei og ta den med til et område med kort gress eller juster klippehøyden.</p> <p>Slå den på. Trykk på start.</p>
E 4	Feil oppdaget.	<p>Slå den av.</p> <p>Ta med Mission™NANO til et område av plenen uten hindringer, og slå den på. Trykk på start.</p> <p>Slå av strømmen hvis feilmeldingen fortsatt vises, og snu Mission™NANO opp ned. Sjekk om det er noe som hindrer hjulene i å rotere.</p> <p>Fjern eventuelle hindringer, snu Mission™NANO riktig vei og slå den på.</p>
E 5	Løftefeil.	<p>Slå den av.</p> <p>Ta med Mission™NANO til et område som er fri for hindringer og slå den på. Trykk på start.</p> <p>Slå av strømmen hvis feilmeldingen fortsatt vises, og snu Mission™NANO opp ned og sjekk om det er noe som kan gjøre at Mission™NANO løftes opp.</p> <p>Fjern eventuelle objekter, snu Mission™NANO riktig vei og slå den på.</p>
E 6	Opp ned-feil (veltet).	Snu Mission™NANO riktig vei.

E7	Batteriladingsfeil.	<p>1) Batteritemperaturen er for høy (mer enn 55 ° C) under lading. Plasser ladestasjonen i skyggen eller vent til temperaturen har sunket.</p> <p>2) Batteritemperaturen er for lav. Utetemperaturen gjør at Mission™NANO ikke fungerer. Det er på tide å ta en pause til vinteren er over.</p> <p>3) Dårlig tilkobling: Sjekk tilkoblingen mellom kontaktstiftene på ladestasjonen og lade-stripen, og at ladestasjonen står på et helt flatt underlag.</p> <p>4) Strømtilførselen er ødelagt: Ta kontakt med kundeservice.</p>
E8	Feil: «Find Home» har gått ut på tid.	<p>1) Ladestasjonen er dårlig plassert (ikke på et flatt underlag), Mission™NANO finner ikke pluggene og stopper ikke. Sjekk ladestasjonen.</p> <p>2) Mission™NANO går tom for batteri før den rekker frem til ladestasjonen. Den utvidede grenseledningen bør være maksimalt 350 meter.</p>
E9	<p>Når "Låsefunksjonen" er aktivert, låses Mission™NANO som en sikkerhetsfunksjon hvis den ikke mottar signaler fra Wi-Firuterer i løpet av tre dager.</p> <p>Dette kan skyldes at ruterer har mistet strømmen, eller at du har endret Wi-Firuterer eller nettverksleverandør.</p>	<p>Koble Mission™NANO til Wi-Fi-nettverket den opprinnelig var tilkoblet på nytt.</p> <p>Ta kontakt med kundeservice hvis det ikke er mulig.</p>
E4:60 E4:61 E4:62 E4:63 E4:64	Oppdateringsfeil på programvaremodul.	Sjekk at modulen er riktig tilkoblet. Sjekk at filen som er kopiert til USB-pinnen ikke er skadet. Slå den av og på igjen, og forsøk å oppdatere programvaren på nytt.
E4:50 E4:51 E4:52 E4:80 E4:81 E4:82 E4:83 E4:84 E4:80	Oppdateringsfeil på programvaren.	Prøv å oppdatere programvaren på nytt eller ta kontakt med Kundeservice

MERKNADER


- Sørg for at Mission™NANO er innenfor arbeidsområdet før du slår den på.
- Hvis du av en eller annen grunn, for eksempel har fest eller barn som leker, vil parkere Mission™NANO i ladestasjonen: Trykk hjem og deretter OK. Mission™NANO går til ladestasjonen og blir der. Mission™NANO blir nå i basen frem til neste planlagte klipping. Hvis du vil starte den på nytt, trykker du bare på start etterfulgt av OK.
- Hvis samme feil oppstår gjentatte ganger i samme område av plenen, kan det være et problem med grenseledningen. Se installasjonsveiledningen og sjekk at Mission™NANO er riktig konfigurert.
- Hvis plenen er delt inn i to ulike områder som er forbundet med en sti som er mindre enn 1 meter bred, og det ikke er der ladestasjonen står: Ta Mission™NANO manuelt med tilbake til ladestasjonen.
- Hvis Mission™NANO oppfører seg unormalt en gang iblant kan du tilbakestille den ved å skru den av, fjerne batteriet i 30 sekunder, og deretter starte den på nytt. Ta kontakt med kundeservice hvis du ikke får løst problemet.

Feilsøking

Hvis Mission™NANO ikke fungerer som den skal, kan du bruke veiviseren for feilsøking nedenfor. Hvis problemet ikke løses, tar du kontakt med forhandleren.

Symptom	Årsak	Løsning
LED-lyset på ladestasjonen slås ikke på.	Det er ikke noe strøm.	Sjekk at strømledningen er riktig koblet til laderen, og at laderen er koblet til en egnet strømforsyning.
Rødt lys slår på ladebasen.	Grenseledningen er ikke koblet til.	Sjekk at grenseledningen er riktig koblet til ladestasjonen. Kontroller grenselinjen for brudd, spesielt på enden av ledningen.
Din Mission™NANO er innenfor dens område, men displayet viser –E !–, og LED-lampen er grønn.	Grenseledningens ender er feil koblet til.	Snu om på koblingene av endene på grenseledningen.
Mission™NANO klarer ikke å forankre seg riktig til ladebasen.	Påvirkning i omgivelsene.	Start Mission™NANO på nytt.
	Dårlig kobling på grunn av skitt på ladekontakten.	Rengjør kontaktpinnene som befinner seg på basen på ladestasjonen og ladebåndet på din Mission™ med et håndkle.
Mission™NANO går utenfor grenseledningen. Mission™NANO klipper ikke et område innenfor grenseledningsområdet. Mission™NANO går bakover eller roterer feil nær grenseledningen.	Grensetråden til en annen Mission™NANO eller en robotgressklipper av et annet merke er posisjonert for nær.	Kontroller at det er minst 1 m mellom grensetråden din Mission™NANO bruker og grensetråden som naboens robotgressklipper bruker.
	Grensemarkeringswiren er installert med skarpe kanter.	Kontroller at hjørnene til grensemarkeringswiren er jevne
	Under våte forhold kan det oppstå feil på det elektriske signalet ved lekkasje der som grenseledningen har blitt skjøtet eller reparert.	Sjekk grenseledningens sammenkoblinger. Isoler for å oppnå en fullstendig vanntett kobling.
	Det er brudd på grenseledningens elektriske signal som følge av brutt isolasjon.	Reparere skadet begrensingskabelisolasjon med kontakter.
	Området for klipping er større enn tillatt klippeområde for Mission™NANO.	Reduser skjæreamrådet eller bruk Mission™NANO.
Mission™NANO går utenfor grenseledningen på grunn av høy hastighet når den går ned en bakke	Grenseledningen er plassert på en helling som er brattere enn 17% (10°).	Flytt grenseledningen unna hellinger som er brattere enn 17% (10°).

Miljøverntiltak

 Avfall etter elektriske produkter må ikke legges sammen med husholdningsavfall. Vennligst resirkuler avfallet der dette finnes. Undersøk hos de lokale myndighetene eller en detaljist for resirkuleringsråd.

Samsvarserklæring

Vi,
Positec Germany GmbH
Postfach 32 02 16, 50796 Cologne, Germany

På vegne av Positec erklær at produktet

Beskrivelse **Robot-gressklipper**

Type **KR101E (100-199 - typebetegnelse til maskin, Robot-gressklipper)(År, artikkelnummer og måned for serienummer er plassert på siste side. Det fullstendige serienummeret vises tydelig på vedlegget til gressklipperen) med batterilader KA0200 / KA0201 og ladebase KA0071**

Funksjon **Gressklipping**

Samsvarer med følgende direktiver,

2006/42/EC, 2014/30/EU, 2014/35/EU, 2011/65/EU, 2000/14/EC revidert ved 2005/88/EC, 2014/53/EU

2000/14/EC revidert ved 2005/88/EC

- Tilpassningsbedømmelse Utført ifølge
- Målt Lydkraftniv
- Erklært Garantert Lydkraftniv

Anneks V
65.5 dB (A)
67 dB (A)

Det tekniske kontrollorganet Intertek, Semko AB, NB-No. 0413 har utført en EU-undersøkelse i henhold til direktiv 2014/53/EU og har utstedt følgende EU-undersøkelsessertifikat: SE-RED-2200106

Standardene samsvarer med,

138
Nor

For gressklipper: EN 50636-2-107:2015+A1:2018+A2:2020+A3:2021, EN 60335-1:2012+A11:2014+A13:2017+A1:2019+A2:2019+A14:2019+A15:2021, EN IEC 62311:2020, EN IEC 55014-1:2021, EN IEC 55014-2:2021, EN IEC 61000-3-2:2019+A1:2021, EN 61000-3-3:2013+A1:2019+A2:2021

For induksjons-sløyfesystem: EN 303 447 V1.1.1

For ultrasonisk modul: EN 55011:2016+A11:2020

For Bluetooth og WIFI-modul (2,4G): EN 301 489-1 V2.2.3, EN 301 489-17 V3.2.4, EN 300 328 V2.2.2

For lader: EN IEC 55014-1:2021, EN IEC 55014-2:2021, EN IEC 61000-3-2:2019+A1:2021, EN 61000-3-3:2013+A1:2019+A2:2021, EN IEC 60335-2-29:2021+A1:2021, EN 60335-1:2012+A11:2014+A13:2017+A1:2019+A2:2019+A14:2019+A15:2021, EN 62233:2008

For støy: EN ISO 3744:2005

For RoHS: EN IEC 63000:2018

Personen som er autorisert til å utarbeide den tekniske filen,

Navn Marcel Filz

Adresse Positec Germany GmbH Postfach 32 02 16, 50796 Cologne, Germany



2023/09/19

Allen Ding

Visesjefsingeniør, Testing og Sertifisering

Positec Technology (China) Co., Ltd.

18, Dongwang Road, Suzhou Industrial

Park, Jiangsu 215123, P. R. China

Användare kan se de elektroniska bruksanvisningarna på <https://www.kress.com/en/>.

Produktsäkerhet

Allmänna & specifika säkerhetsinstruktioner



WARNING Läs igenom alla varningar och säkerhetsinstruktioner. Underlåtelse att beakta varningar och säkerhetsinstruktioner kan leda till elstöt, brand och/eller allvarlig personskada.

Läs noga igenom instruktionerna för att kunna använda enheten på ett säkert sätt. Spara alla varningar och säkerhetsinstruktioner för framtida referens.

- Denna apparat är inte avsedd att användas av personer (inklusive barn) med nedsatt fysisk, sensorisk eller mental förmåga, eller bristande erfarenhet och kunskap, såvida de inte har fått instruktioner om hur apparaten används eller övervakas av en person som ansvarar för deras säkerhet.
- Barn måste övervakas för att säkerställa att de inte leker med apparaten.
- Batteriet i denna enhet kan endast bytas ut av skicklig personal.
WARNING: För att ladda batteriet, använd endast den avtagbara strömförsörjningsenheten som medföljer enheten.

VIKTIGT LÄS NOGA FÖRE ANVÄNDNING SPARA FÖR FRAMTIDA REFERENS

Säker användningspraxis Utbildning

- Läs noga igenom bruksanvisningen. Se till att du har förstått instruktionerna och sätt dig in i kontrollerna och hur man använder enheten på rätt sätt.
- Låt aldrig barn eller personer som inte satt sig in i dessa instruktioner använda enheten. Det kan finnas lokala bestämmelser med åldersgräns för operatören.
- Operatören eller användaren ansvarar för olyckor eller faror som drabbar andra personer eller deras egendom.

Förberedelser

- Kontrollera att det automatiska avgränsningssystemet är korrekt installerat i enlighet med de givna instruktionerna.
- Inspektera regelbundet området där apparaten ska användas och avlägsna alla stenar, pinnar, trådar och andra främmande föremål.
- Inspektera regelbundet blad, bladbultar och klippenhet visuellt för att säkerställa att de inte är slitna eller skadade. Byt ut slitna eller skadade blad och bultar uppsättningsvis för att bibehålla balansen.
- Var försiktig med maskiner som har flera blad, eftersom ett roterande blad kan få även de övriga bladen att rotera.
- WARNING! Gräsklipparen skall ej användas utan att skyddet finns på plats.

Drift

1. Allmänt

- Använd aldrig enheten med trasiga skydd eller utan att säkerhetsanordningar som t.ex. deflektorer sitter på plats.
- Placera inte händer eller fötter nära eller under roterande delar. Ställ dig aldrig ivägen för utloppsöppningen.
- Lyft aldrig upp och bär inte enheten medan motorn är igång.
- Se till att produkten är avstängd:
 - Innan du tar bort något som fastnat;
 - Innan du inspekterar, rengör eller reparerar enheten;
 - Efter att ha kört på ett främmande föremål ska maskinen inspekteras för skador;
 - Börjar maskinen vibrera onormalt, ska den undersökas innan omstart.
- Det är inte tillåtet att modifiera robotgräsklipparens originalutformning. Alla modifieringar görs på egen risk.
- Starta robotgräsklipparen enligt instruktionerna. När strömmen är påslagen, se till att hålla händer och fötter borta från de roterande bladen. För aldrig in händer eller fötter under gräsklipparen.
- Lyft aldrig upp robotgräsklipparen eller bär den när strömmen är påslagen.
- Låt inte personer som inte vet hur robotgräsklipparen fungerar, använda den.
- Lägg ingenting ovanpå robotgräsklipparen eller dess laddningsstation.
- Använd inte robotgräsklipparen med en defekt bladskiva eller stomme. Använd den inte heller med defekta blad, skruvar, muttrar eller sladdar.
- Stäng alltid av robotgräsklipparen med strömbrytaren när du inte tänker använda

den. Robotgräsklipparen kan bara starta när strömmen är påslagen och rätt PIN-kod har angetts.

- l) Håll dina händer och fötter borta från de roterande bladen. Placera aldrig dina händer och fötter nära eller under chassiet när den robotliknande gräsklipparen är i drift.
- m) Undvik användning av maskinen och dess kringutrustning i dåliga väderförhållanden, särskilt vid risk för åsknedslag.
- n) Vidrör inte de farliga delar när de är i rörelse förrän de har stannat helt.
- o) För maskiner som används på offentlig yta, ska varningsskyltarna placeras runt maskinens arbetsyta. De ska visa följande text:
Varning! Automatisk gräsklippare! Håll dig borta från maskinen! Håll koll på barnen!

2. När robotgräsklipparen körs automatiskt

- a) Låt inte enheten köra automatiskt utan övervakning på områden där det finns husdjur, barn eller andra personer.

Underhåll och förvaring

 **WARNING! När gräsklipparen vänds upp och ner ska strömmen alltid vara avstängd.**

Strömmen ska vara avstängd under allt arbete på gräsklipparens underrede, som t.ex. rengöring eller byte av blad.

- a) Se till att alla muttrar, bultar och skruvar är ordentligt åtdragna så att enheten hålls i säkert bruksskick.
- b) Inspektera robotgräsklipparen varje vecka och byt ut slitna eller skadade delar för säkerhets skull.
- c) Kontrollera i synnerhet att varken blad eller bladskiva är skadade. Byt ut alla blad och skruvar uppsättningsvis, så att de roterande delarna behåller sin balans.
- d) Se till att endast använda klippdelar av rätt typ vid utbyte.
- e) Ladda endast batteriet med den laddare som rekommenderas av tillverkaren. Delaktig användning kan leda till elstöt, överhettning eller läckage av frätande vätska från batteriet.
- f) Om elektrolyt skulle läcka ut, spola med vatten/neutraliserande medel, och uppsök läkare om elektrolyten kommer i kontakt med ögon osv.
- g) Service av enheten måste utföras i enlighet med tillverkarens instruktioner.

Rekommendation

Koppla enbart maskinen och/eller dess kringutrustning till eluttag som skyddas av jordfelsbrytare med en felström som inte mer än 30 mA.

Övriga risker

För att undvika skador bör du använda skyddshandskar när du byter bladen.

Transport

Använd originalförpackningen om robotgräsklipparen ska transporteras en längre sträcka.

Så här lämnar/går du in i arbetsområdet på ett säkert sätt:

- a) Tryck på STOP knappen för att stoppa klipparen.
Du valde den fyra siffrorna i PIN-koden när du startade klipparen första gången.
- b) Stäng alltid av robotgräsklipparen om du avser att bära den.
- c) Du bär robotgräsklipparen i handtaget som sitter på framsidan på robotgräsklipparen.
Bär robotgräsklipparen så att bladskivan är bortvänd från din kropp.

Krav för RF-exponering

För att uppfylla kraven för RF-exponering, krävs det att ett separationsavstånd på 200mm eller mer upprätthålls mellan denna apparat och människor då apparaten används.

För att säkerställa överensstämmelse, rekommenderas ingen användning som sker på närmare håll än detta avstånd. Antennen som används för denna sändare får inte finnas på samma plats i anslutning till någon annan antenn eller sändare.

Det är en klass III-apparat och ska endast strömförsörjas med extra låg säkerhetsspänning som motsvarar märkningen på apparaten.

Säkerhetsvarningar för batteri inne i verktyget

- a) **Ta inte isär batteriet, öppna inte heller batteriet eller sära på battericeller.**
- b) **Kortslut inte batteriet. Förvara inte batteriet på ett slarvigt sätt i en låda där det kan kortslutas eller skadas av ledande material.** När batteriet inte används, håll det borta från metallobjekt, såsom pappersgem, pengar, nycklar, naglar, skruvar eller andra små metallobjekt som kan leda ström från en terminal till en annan. Om batteriterminalerna kortsluter varandra kan de

förorsaka brandrisk.

- c) **Exponera inte batteriet för eld eller värme. Undvik förvaring i direkt solljus.**
- d) **Utsätt inte batteriet för mekanisk chock.**
- e) **Om batteriet läcker, låt inte vätskan komma i kontakt med hud eller ögon. Om så ändå skulle hända, skölj med mycket vatten och sök läkarhjälp.**
- f) **Sök omedelbar läkarhjälp om någon har svält en battericell eller batteriet.**
- g) **Håll batteriet rent och torrt.**
- h) **Ladda endast med laddare av varumärket Kress. Använd ingen annan laddare än den som specifikt ska användas med det här batteriet.**
- i) **Använd inte ett batteri som inte är avsett för användning med det här verktyget.**
- j) **Håll batteriet borta från barn.**
- k) **Behåll den ursprungliga bruksanvisningen för framtida användning.**
- l) **Kassera batteriet på rätt sätt.**
- m) **Blanda inte batterier med olika tillverkning, kapacitet, storlek eller typ i enheten.**
- n) **Varning! Icke-uppladdningsbara batterier ska inte användas.**

mottagaren.

- Anslut enheten till ett uttag som hör till en annan krets än den som mottagaren är ansluten till.
- Kontakta återförsäljaren eller en erfaren radioeller TV-tekniker för att få hjälp.

Bruksanvisningskrav för trådlös produkt

- a) Enheten får endast användas under förutsättning att följande två villkor är uppfyllda:
 - (1) Enheten får inte orsaka skadlig störning och.
 - (2) enheten måste acceptera all mottagen störning, inklusive störningar som kan orsaka oönskad användning.
- b) **Försiktighet:** Ändringar eller modifieringar av denna enhet som inte uttryckligen godkänts av parten som är ansvarig för dess uppfyllelse kan upphäva användarens rätt att använda utrustningen.
- c) **NOTERA:** Utrustningen alstrar, använder och kan avge radiofrekvensenergi och om den inte installeras och används i enlighet med instruktionerna kan den orsaka skadliga störningar på radiokommunikation. Det finns dock inte någon garanti för att störning inte inträffar i en specifik installation. Om utrustningen orsakar skadliga störningar vid mottagning av radio- eller tv-mottagning, vilket kan fastställas genom att stänga av och slå på utrustningen, uppmanas användaren att försöka korrigera störningen genom en eller flera av följande åtgärder:
 - Rikta om eller flytta mottagningsantennen.
 - Öka avståndet mellan utrustningen och

Symboler



VARNING – ROBOTGRÄSKLIPPARE kan vara farliga om de används på fel sätt.

Läs noga igenom bruksanvisningen och sätt dig in i dess innehåll innan du använder din ROBOTGRÄSKLIPPARE.



VARNING - Håll ett säkerhetsavstånd från enheten när den är igång.



VARNING – Stäng av enheten innan du utför arbete på den eller lyfter upp den.



VARNING – Åk inte på enheten.



Kasta inte in i eld



Om det inte hanteras ordentligt kan batteriet gå in i vattencykeln, vilket kan orsaka skador på ekosystemet. Kassera ej använda batterier som osorterat kommunalt avfall.



Tvätta inte maskinen med högtryckstvätt.



Läs bruksanvisningen



Avtagbar matningsenhet

142

Sv



Klass III-apparat



Elektriska avfallsprodukter får inte kasseras med hushållsavfallet. Återvinn på återvinningscentraler. Kontakta dina lokala myndigheter eller återförsäljaren för återvinningsråd.

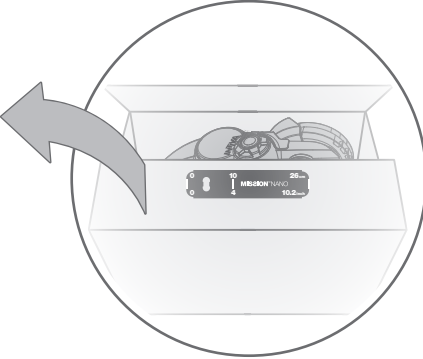
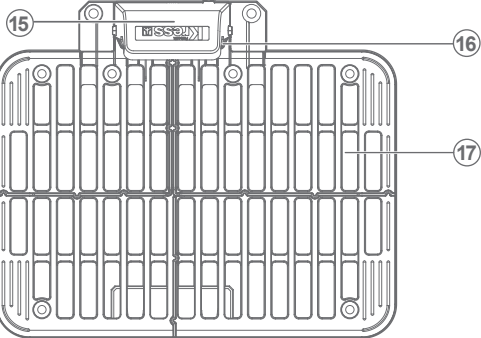
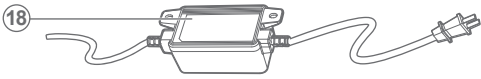
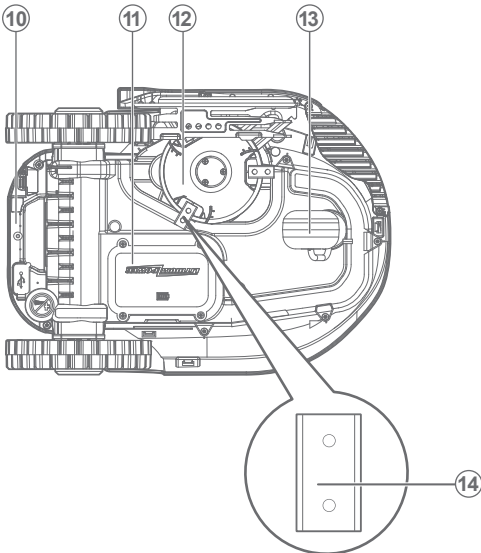
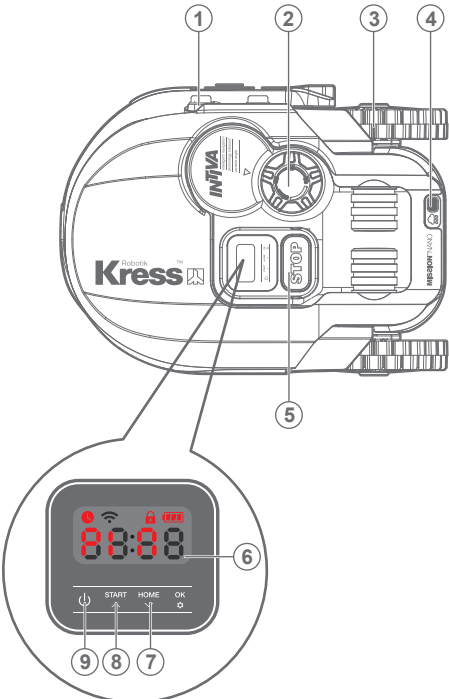


Li-Ion



Litiumjonbatteri Denna produkt har markerats med en symbol som är associerad med "separat samling" av alla batteripaket och batteripaket. Det återvinns eller tas bort för att minska miljöpåverkan. Batteriet kan vara skadligt för miljön och människors hälsa eftersom det innehåller skadliga ämnen.

Dellista



- | | |
|---------------------------|----------------------------------|
| 1. LADDNINGSYTA | 12. BLADVÄNDSKIVA |
| 2. Reglage för klipp höjd | 13. FRAMHJUL |
| 3. BAKRE DRIVHJUL | 14. SKÄRBLAD |
| 4. REGSENSOR | 15. Skyddskåpa |
| 5. STOP-Knapp | 16. KONTAKTSTIFT |
| 6. Display | 17. LADDNINGSBAS |
| 7. HOME knapp | 18. STRÖMADAPTER |
| 8. START knapp | 19. ÄSTDON FÖR LADDNINGSBAS |
| 9. På/Av växla | 20. AVSTÅNDSMÄTARE FÖR GRÄNSTRÅD |
| 10. HANDTAGSSTÅNG | 21. INSEXNYCKEL |
| 11. BATTERIPAKET | |


Tekniska data

Typ **KR101E (100-199 - (100-199 - maskinbeteckning, anger Gräsklipparrobot)**

Märkspänning	20 V \approx Max.*
Hastighet utan belastning	2800 /min
Klippområde	600 m ²
Klippdiameter	18 cm
Klipphöjd	30-60 mm
Klipphöjds lägen	4
Batterityp	Litium-jon
Batterimodell	KA3022
Laddningstid cirka	105 min
Laddarmodell	KA0200 / KA0201
Laddargradering	Ineffekt: 100-240 V~50/60 Hz, 38 W, Uteffekt: 20 V, 1.5 A
Enhetsvikt	8.95 kg
Skyddsklass	III
App	Y
Maximal lutning inom arbetsytan	35%
Frekvensband för Bluetooth (MHz)	2400-2483.5 MHz
Maximal sändareffekt för Bluetooth (dBm)	8 dBm
Frekvensband för WiFi (MHz)	2400-2483.5 MHz
Maximal överförd effekt för WiFi (dBm)	20 dBm
Frekvensband för det induktiva loop-systemet	77 Hz
Maximal RF-effekt i det induktiva loop-systemet	82 dB μ A/m

*Spänning uppmätt utan belastning. Initial batterispänning är max. 20 V. Nominell spänning är 18 V.

Bullerinformation

A-viktat ljudtryck	$L_{pA} = 45.5 \text{ dB (A)}, K_{pA} = 0.6 \text{ dB(A)}$
A-viktad ljudnivå	$L_{wA} = 65.5 \text{ dB (A)}, K_{wA} = 0.6 \text{ dB(A)}$
Bär hörselskydd när ljudtrycket är högre än	80 dB(A) 

Ett visst mått av buller från maskinen kan inte undvikas. Återkommande bullerarbete ska licensieras och begränsas under vissa perioder. Att hålla viloperioder och begränsa arbetstiden till ett minimum kan även behövas. För personligt skydd och för skydd av personer som jobbar i närheten skall lämpligt hörselskydd bäras.

Tillbehör

Skrivar	9
Laddningsbas	1
Fästspikar för laddningsbas	8
Insexnyckel	1
Avståndsmätare för gränstråd	2
Blad	9
Batteripaket (KA3022)	1
Laddning (KA0200 / KA0201)	1

Vi rekommenderar att du endast köper originaldelar enligt ovanstående lista från den butik där du köpte enheten. Se tillbehörsförpackningen för mer information. Butikspersonalen kan hjälpa dig och ge råd.

145
Sv

Ändamålsenlig användning

Denna gräsklippare är avsedd för hemmabruk. Den är konstruerad att klippa ofta och hålla gräsmatta finare och i bättre form än någonsin. Beroende på din gräsmattas storlek kan MissionTMNANO programmeras att arbeta när som helst eller regelbundet. Den är inte avsedd för grävning, sopning eller snöröjning.

Underhåll

Du måste inspektera din MissionTMNANO då och då. Din MissionTMNANO jobbar hårt och behöver emellanåt rengöras grundligt samt få vissa delar utbytta när de blir slitna. Använd aldrig MissionTMNANO med defekt AV/PÅ knapp. Stäng av maskinen innan du utför service eller underhåll. Här nedan informerar vi om hur du tar hand om din MissionTMNANO.

1

Skärpa

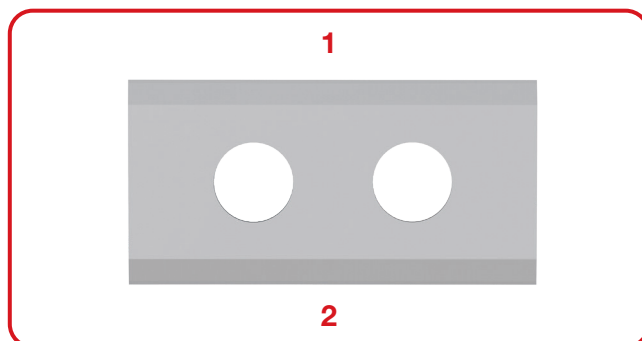


WARNING: Före rengöring, justering eller utbyte av blad, stäng AV din Mission™NANO Använd skyddshandskar.



WARNING: Vid byte av blad se till att du byter ALLA blad när något byte görs. Använd alltid nya skruvar när bladen fästs. Detta är viktigt för att säkerställa att bladet hålls kvar och att bladskivan förblir balanserad. Om inte nya skruvar används kan det orsaka allvarliga skador.

Mission™NANO Kan inte klippa gräs som andra gräsklippare. Skärbladet på denna produkt är mycket vass på alla fyra kanterna och kan vridas i båda riktningar för att uppnå maximal kapacitet. Varje blad av Mission™NANO har 4 skäreppor. Bladroterande skiva roterar slumpmässigt framåt och bakåt för att använda 4 skäreppor och minimerar frekvensen för byte av blad. Efter att ha använt det nya materialet blir varje blads livslängd tre gånger längre än för andra märkesblad. Kontrollera alltid bladet för sprickor eller skador, om så är fallet, byt ut bladet. När skärbladet blir trubbigt och slitet bör det bytas ut mot reservbladet med Mission™NANO . En Kress-återförsäljare nära dig kan också tillhandahålla reservblad.



146

A. Byta ut bladen

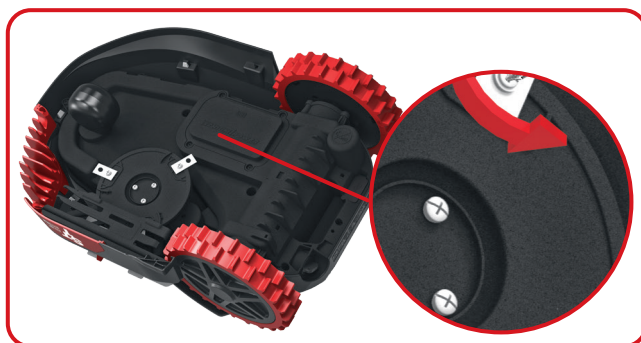
Sv

Vanligtvis ska bladen i Mission™NANO vändas varje månad och bytas ut varannan månad. När du byter ut bladen ska du alltså byta ut alla blad samtidigt. Du kan ersätta bladen med en av de reservsatserna och extra bladskruvarna som medföljer din Mission™NANO.

Innan något byte av Mission™NANO s blad görs, stäng av strömmen och ta på skyddshandskar. Följ därefter dessa steg:

1. Vänd försiktigt på din Mission™NANO.
2. Ta bort batterilocket och batteriet.
3. Ta bort skruvarna på bladen med en skruvmejsel.
4. Skruva fast de nya bladen ordentligt.
5. Sätt tillbaka batteriet och batterilocket.

Viktigt: När du har skruvat fast bladet på bladskivan, kontrollera att bladet kan rotera fritt.



2

Rengöring



WARNING: Innan du ska rengöra din Mission™NANO måste du stänga AV den Sätt på skyddshandskar innan du rengör bladskivan. Använd inte rinnande vatten.

A. Rengöring av stomme

Din Mission™NANO kommer att leva längre och må bättre om du rengör den regelbundet. Då Mission™NANO är en elektrisk maskin bör du vara försiktig vid rengöring, **så använd INTE en slang, högtryckstvätt eller på annat sätt hålla rinnande vatten på Mission™NANO**, det är bäst att använda en sprejflaska fylld med vatten. Vid rengöring av maskinens hölje använd en mjuk borste eller en ren trasa och undvik att använda rengöringsmedel eller polish. Slutligen, se till att ta bort all uppsamlad gräsklipp och skräp.



B. Rengöring av undersida

Återigen är det viktigt att du stänger AV din Mission™NANO och **att du använder skyddshandskar när du rör vid bladskivan**. Först, vänd din Mission™NANO upp och ned för att visa undersidan. På undersidan kan du se bladskivan, den omgivande motorramboxen och framhjul och drivhjul. Rengör alltihop noggrant med en mjuk borste eller en fuktig trasa.

 **WARNING: Rengör ALDRIG undersidan av Mission™NANO enheten med vattenspolning.** Skada på komponenterna kan uppstå. Roterar bladskivan för att kontrollera att den roterar fritt. Kontrollera att bladen kan rotera fritt runt fästskruvarna. Ta bort eventuella blockage.

VIKTIGT: Ta bort allt skräp så att det inte får bladskivan att spricka. Till och med en minimal spricka kan försämra gräsklipparens effekt.



147
Sv

C. Rengöring av kontaktstift och laddbleck

Rengör kontaktstiften på laddningsstationen och laddningsremsan på Mission™NANO med en trasa. Ta bort ansamlade gräsrester och smuts runt kontaktstiften och laddningsremarna mellanrum för att se till att Mission™NANO laddas ordentligt varje gång.



3

Batterilivstid

Hjärtat i din Mission™NANO är dess 20V litiumjonbatteri. För korrekt förvaring av batteriet, förvara det fulladdat på en kall och torr plats mellan 20°C ± 5°C.

HUOMAA: Mission™NANO rekommenderade användningstemperatur är 0°C - 45°C.

Livstiden för din Mission™NANO s batteri beror på olika faktorer som exempelvis:

- Hur lång klippsäsongen är i din region
- Hur många timmar din Mission™NANO klipper gräs per dag
- Hur du sköter batteriet under förvaring

Mission™NANO kan laddas manuellt utan gränsovrådeskabeln.

1. Anslut laddningsbasen till en lämplig strömkälla. Laddningsenhetens gröna ljus kommer att lysa.
2. Docka den avstängda Mission™NANO manuellt inom laddningsbasens räckvidd.
3. Laddningsenhetens gröna ljus kommer att bli rött, kommer Mission™NANO att börja ladda.



4

Vinterförvaring

Din Mission™NANO kommer att leva längre och hålla sig friskare om den får gå i ide på vintern. Därför rekommenderar vi att du förvarar din Mission™NANO i ett uthus eller ett garage under vintern.

Innan du stuvor undan din Mission™NANO inför vintern ska du:

- Rengöra din Mission™NANO noggrant
- Ladda batteriet fullt
- Stänga av gräsklipparen

För att maximera batteriets livstid rekommenderas du att ladda det fullt innan du stuvor undan det inför vintern.



WARNING: Skydda undersidan av Mission™NANO enheten från vatten. Förvara ALDRIG Mission™NANO enheten upp och ner utomhus.

Gränstråden kan lämnas kvar i marken, men dess ändar bör skyddas genom att t.ex. placeras i en konservburk med smörjfett. Om laddningsbasen lämnas kvar utomhus över vintern, låt gränstråden förbli ansluten till den.

148

Sv

OBS: När du tar fram din Mission™NANO efter vinterförvaringen, kontrollera att laddningsytorna och kontaktstiften är rena. Du kan använda en fin smärgelduk för att rengöra dem. Genom att använda appen, se till att datumet och tiden stämmer och låt Mission™NANO fortsätta med sin favoritsyssla: klippa gräset.

5

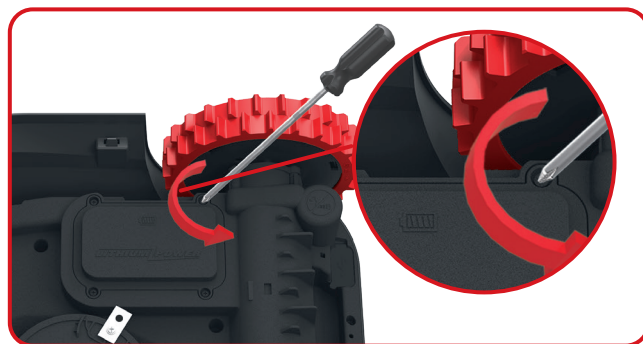
Byta ut batteriet



WARNING: För ON/OFF-knappen till OFF innan du utför en justering, utbyte eller reparation. Före utbyte av blad, stäng AV din Mission™NANO Använd skyddshandskar.

Om du behöver byta ut batteriet, följ dessa steg:

1. Vänd försiktigt på din Mission™NANO.
2. Ta bort de skruvarna som håller fast batteriet. Ta bort batteriluckan.

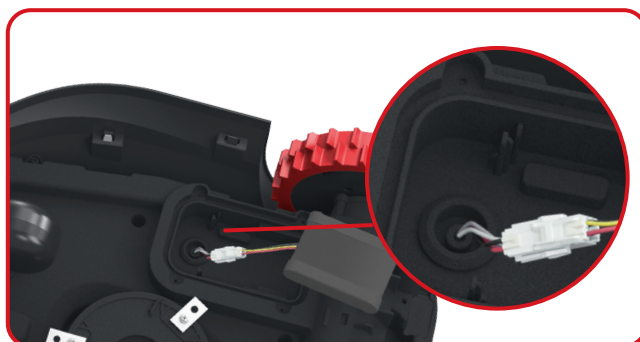
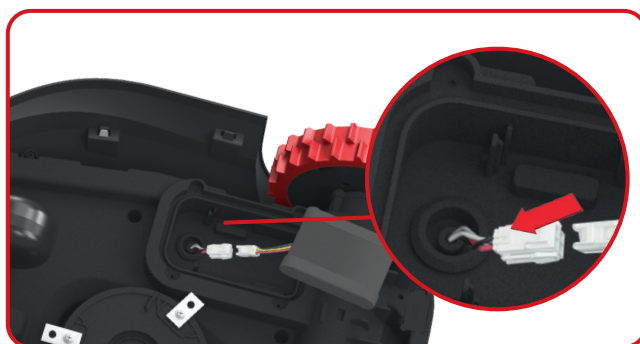


3. Ta försiktigt ut det gamla batteriet. Tryck på spärren och släpp kontakterna.

OBS: Dra inte i några sladdar. Håll kontakterna och lossa spärren.



4. Anslut ett nytt originalbatteri genom att fästa ihop kontakterna tills det låses på plats.



5. Montera batteriet enligt bilden. Sätt tillbaka locket i sin position och montera fast skruvarna.



Felmeddelanden

Ibland blir det fel. Lyckligtvis är Mission™NANO smart nog att meddela dig om ett problem skulle uppstå, så att du kan åtgärda det. Om du är osäker kan du besöka vår webbplats, där du hittar informativa videor och ytterligare support.

Meddeland	Orsak	Åtgärd
EE	Okänt fel.	Kontakta kundtjänst.
F I	Regnfördröjning.	Mission™NANO kommer att starta efter regnfördröjningen när regnet har upphört.
E I	Begränsningskabel saknas ELLER Mission™NANO är utanför kabeln.	1. Om Mission™NANO befinner sig utanför arbetsområdet: stäng av strömmen och flytta Mission™NANO till arbetsområdet. Slå på strömmen. T TRYCK PÅ START 2. Om Mission™NANO befinner sig i sitt arbetsområde ska du kontrollera om LED-lampan på laddstationen lyser med grönt sken. Om så inte är fallet, kontrollera att laddstationen är ordentligt ansluten till laddaren och att laddaren är ansluten till ett lämpligt eluttag. Om alla anslutningar är korrekta sitter begränsningskabelns ändar fel och måste byta plats med varandra i klämmorna. 3. Flytta om begränsningskabelns ändar.
E 2	Motorhjulfel.	Stäng av strömmen och flytta Mission™NANO till ett område som är fritt från hinder. Slå på strömmen. Tryck på START. Om felmeddelandet fortfarande visas, stäng av strömmen. Vänd Mission™NANO upp och ner och kontrollera att inget hindrar hjulen från att snurra. Ta bort eventuella hinder, vänd Mission™NANO rätt igen och slå på strömmen.
E 3	Fel på knivskiva.	Stäng av strömmen. Vänd Mission™NANO upp och ner, sätt på dig skyddshandskar för att undvika skador och kontrollera om något hindrar knivskivan från att rotera. Ta bort alla eventuella blockeringar. Vänd Mission™NANO rätt igen och flytta den till ett område med kort gräs, eller justera klipphöjden. Slå på strömmen. Tryck på START.
E 4	Sitter fast.	Stäng av strömmen. Flytta Mission™NANO till en del av gräsmattan som är fri från hinder. Slå på strömmen. Tryck på START. Om felmeddelandet fortfarande visas: stäng av strömmen och vänd Mission™NANO upp och ner. Kontrollera att inget hindrar hjulen från att snurra. Ta bort alla eventuella blockeringar, vänd Mission™NANO rätt igen och slå på strömmen.
E 5	Upplyft.	Stäng av strömmen. Flytta Mission™NANO till ett område som är fritt från hinder och slå på strömmen. Tryck på START. Om felmeddelandet fortfarande visas: stäng av strömmen och vänd Mission™NANO upp och ner. Kontrollera om det finns något som kan ha fått Mission™NANO att lyftas upp. Ta bort eventuella föremål, vänd Mission™NANO rätt igen och slå på strömmen
E 6	Upp och ner (kantrad).	Vänd Mission™NANO rätt igen.

E 7	Batteriladdningsfel.	<p>1) Temperaturen är för hög (över 55°C) vid laddningen. Placera laddstationen på en skuggig plats eller vänta tills temperaturen har sjunkit.</p> <p>2) Batteritemperaturen är för låg. Temperaturen utomhus är för låg för att Mission™NANO ska kunna jobba. Det är dags för vinterförvaring.</p> <p>3) Svag anslutning: kontrollera anslutningen mellan kontaktstiften på laddstationen och laddningsremsan, och att laddstationen står på helt plan mark.</p> <p>4) Nätaggregatet är trasigt: kontakta kundtjänst.</p>
E 8	Tidsgräns för att hitta tillbaka till laddstationen överskriden.	<p>1) Laddstationen är felplacerad (står inte på plan mark), Mission™NANO hittar inte stiften och stannar inte. Kontrollera laddstationen.</p> <p>2) Mission™NANO batteri blir tomt innan den når fram till laddstationen. Med förlängning får begränsningskabeln inte vara längre än 350 meter.</p>
E 9	När låsfunktionen Lock Function är aktiverad och Mission™NANO inte tagit emot någon signal från din WiFi-router på 3 dagar låses gräsklipparen för säkerhets skull. Detta kan bero på att din router har blivit strömlös eller att du har bytt WiFi-router eller nätverksleverantör.	Återanslut Mission™NANO till WiFi-nätverket som den ursprungligen parades ihop med. Om detta inte är möjligt, kontakta kundtjänst.
E4:60 E4:61 E4:62 E4:63 E4:64	Uppdateringsfel för modulprogramvara inträffar.	Kontrollera att modulen är ansluten på rätt sätt. Kontrollera att filen som kopierades till USB-minnet inte är skadad. Stäng av strömmen, slå sedan på den igen och pröva att uppdatera programvaran på nytt.
E4:50 E4:51 E4:52 E4:80 E4:81 E4:82 E4:83 E4:84 E4:80	Uppdateringsfel för programvara inträffar.	Försök att uppdatera programvaran igen eller kontakta Kundtjänst.

NOTERINGAR

- Innan du slår på strömmen ska du alltid kontrollera att Mission™NANO befinner sig inom sitt arbetsområde.
- Om du av någon anledning, t.ex. en grillfest eller lekande barn, vill parkera Mission™NANO på laddstationen: tryck på Hem och sedan på OK. Mission™NANO kommer att återvända till laddstationen och stanna där. Observera att Mission™NANO nu kommer att vänta till nästa schemalagda klippning. Om du vill starta den innan dess, tryck på START och sedan på OK.
- Om ett fel inträffar upprepade gånger på samma del av gräsmattan kan du ha problem med begränsningskabeln. Se installationsanvisningarna och kontrollera att installationen är korrekt.
- Om din gräsmatta är uppdelad i två separata områden som förbinds av en korridor som är mindre än 1 meter bred och ett av områdena inte har någon laddstation, måste du manuellt flytta Mission™NANO till laddstationen när batteriet blir tomt.
- Om Mission™NANO uppför sig onormalt då och då kan du göra en återställning genom att stänga av gräsklipparen och ta ur batteriet i 30 sekunder innan du startar den igen. Om problemet inte går att lösa, kontakta vår kundtjänst.

Felsymptom

Om din MissionTMNANO inte fungerar som den ska, följ felsökningsguiden nedan. Om felet kvarstår, kontakta din återförsäljare.

Symptom	Orsak	Åtgärd
LED-indikatorn på laddningsstationen tänds inte	Det finns ingen ström.	Kontrollera att elsladden är korrekt ansluten till laddaren och att laddaren är ansluten till en lämplig strömkälla.
Rött ljus tänds laddningsstationen.	Gränstråden är inte ansluten.	Kontrollera att gränstråden är korrekt ansluten till laddningsbasen. Kontrollera gränslinjen för brott, särskilt vid ledningens ände.
Din Mission TM NANO befinner sig inuti territoriet men displayen visar –E 1–" och LED-lampan lyser grönt.	Gränstrådets ändar är felaktigt fästa.	Vänd på gränstrådets ändar.
Mission TM NANO kan inte docka på rätt sätt med laddningsbasen.	Miljöpåverkan.	Starta om Mission TM NANO.
	Dålig anslutning orsakad av skräp på laddningsremsan.	Gör rent kontaktens stift på laddningsbasen och laddningsremsan på Mission TM NANO med en trasa.
Mission TM NANO kör utanför gränstråden. Mission TM NANO klipper inte ett område inom gränstrådets zon. Mission TM backar eller roterar underligt nära gränstråden.	Gränstråden till en annan Mission TM NANO eller en robotgräsklippare av annat märke är placerad för nära.	Se till att gränstråden till Mission TM NANO befinner sig minst 1 m bort från den angränsande gränstråden.
	Gränstråden har installerats med skarpa kanter.	Kontrollera gränstråden för att försäkra dig om att kanterna är mjuka.
	I fuktigt väder kan gränstrådets elektriska signal läcka där tråden har fogats eller reparerats.	Kontrollera gränstrådets fogar. Isolera för att få en helt vattentät anslutning.
	Gränstrådets elsignal läcker på grund av trasig isolering.	Reparera gränstrådets skadade isolering med isoleringstejp.
	Klippningsområdet är större än det tillåtna klippningsområdet för Mission TM NANO.	Minska klippytan eller använd Mission TM NANO.
Mission TM NANO lämnar gränstråden på grund av hög hastighet när den åker nedför en kulle.	Gränstråden är placerad i en lutning som är större än 17% (10°).	Flytta gränstråden bort från lutningar som är större än 17% (10°).

152
Sv

Miljöhänsyn

 Elektriska avfallsprodukter får inte kasseras med hushållsavfallet. Återvinn på återvinningscentraler. Kontakta dina lokala myndigheter eller återförsäljaren för återvinningsråd.

Deklaration Om Överensstämmelse

Vi,
Positec Germany GmbH
Postfach 32 02 16, 50796 Cologne, Germany

På Positecs vägnar förklara att produkten
Beskrivning **Gräsklipparrobot**
Typ **KR101E (100-199 - maskinbeteckning, anger Gräsklipparrobot) (År,**
artikelnummer och serienummer uppges på sista sidan. Det fullständiga serienumret står tydligt på
gräsklipparens förpackningen) med batteriladdareKA0200 / KA0201 och laddningsstation KA0071
Funktion **Gräsklippning**

Uppfyller följande direktiv,
2006/42/EC, 2014/30/EU, 2014/35/EU, 2011/65/EU, 2000/14/EC ändrad av 2005/88/EC, 2014/53/EU

2000/14/EC ändrad av 2005/88/EC

- Konformitetsutvärderingsprocedur enligt
- Uppmätt bullernivå
- Deklarerad garanterad bullernivå

Bilaga V
65.5 dB (A)
67 dB (A)

Det anmälda organet, Intertek, Semko AB, NB-No. 0413 har genomfört en EU-typkontroll enligt direktiv 2014/53/EU och utfärdat följande EU-typkontrollintyg: SE-RED-2200106

Standarder överensstämmer med,

För gräsklippare: EN 50636-2-107:2015+A1:2018+A2:2020+A3:2021, EN 60335-1:2012+A11:2014+A13:2017+A1:2019+A2:2019+A14:2019+A15:2021, EN IEC 62311:2020, EN IEC 55014-1:2021, EN IEC 55014-2:2021, EN IEC 61000-3-2:2019+A1:2021, EN 61000-3-3:2013+A1:2019+A2:2021

För induktionsslingsystem: EN 303 447 V1.1.1

För ultraljudsmodul: EN 55011:2016+A11:2020

För Bluetooth & WIFI-modul (2,4G): EN 301 489-1 V2.2.3, EN 301 489-17 V3.2.4, EN 300 328 V2.2.2

För laddare: EN IEC 55014-1:2021, EN IEC 55014-2:2021, EN IEC 61000-3-2:2019+A1:2021, EN 61000-3-3:2013+A1:2019+A2:2021, EN IEC 60335-2-29:2021+A1:2021, EN 60335-1:2012+A11:2014+A13:2017+A1:2019+A2:2019+A14:2019+A15:2021, EN 62233:2008

För buller: EN ISO 3744:2005

För RoHS: EN IEC 63000:2018

Personen som godkänts att sammanställa den tekniska filen,

Namn Marcel Filz

Adress Positec Germany GmbH Postfach 32 02 16, 50796 Cologne, Germany



2023/09/19

Allen Ding

Vice chefsingenjör, tester och certifiering

Positec Technology (China) Co., Ltd.

18, Dongwang Road, Suzhou Industrial

Park, Jiangsu 215123, P. R. China



MISION™ NANO

www.kress-robotik.com