



ANY DAY *CHRISTOPHE PILLET 2020*

TABLES

ANY DAY | CHRISTOPHE PILLET | 2020

TABLE

Structure in metal with burnished, glossy anthracite finish or in white 100; or with matte lacquered finish in sand 610, sage green 630, brick 620, white 160, black 900, terracotta 625, forest green 635

Finish plus version structure in metal with satin, chrome or black chrome finish

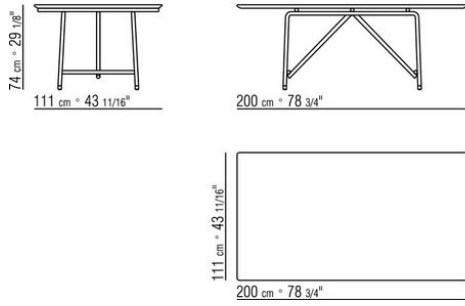
Table tops in the following types of marble: polished calacatta gold, matt calacatta gold, polished white carrara, polished nero marquina, polished emperador, matt emperador, polished emperador light, polished marron damasco, matt marron

damasco, polished grey stardust, matt grey stardust. Or in canaletto walnut veneer with natural finish, or stained canaletto walnut extra; or in ash veneer with natural finish or stained walnut, teak, wenge, ebony or brown; or with lacquer finish in white, black, lilac, pine green, salmon, grey-green, mocha, dove grey, mustard, saffron, burgundy, teal, grey-blue, moss green or brick

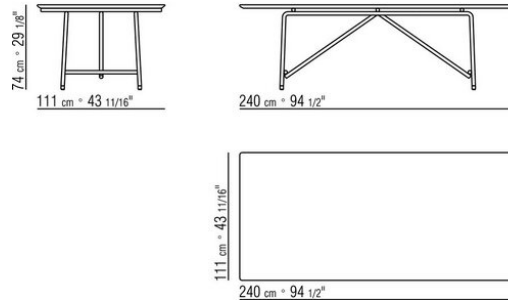
Articles 28284-28289 are not available with marble top

Feet rest on tips made of thermoplastic material

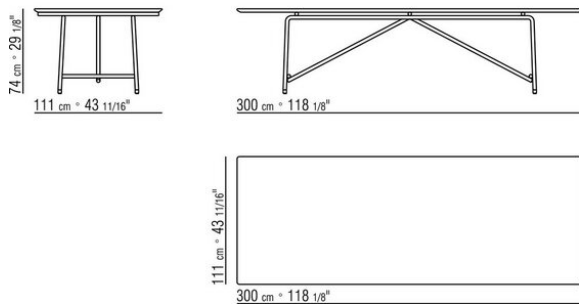
COD. 028285



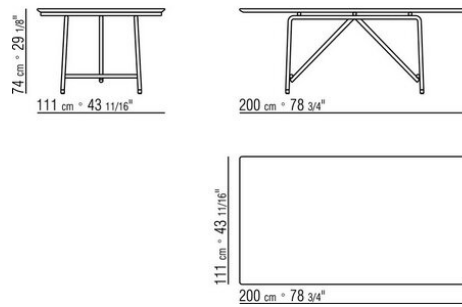
COD. 028287



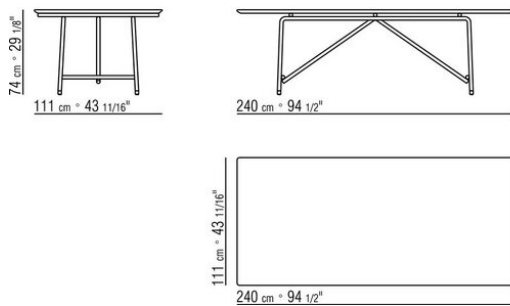
COD. 028289



COD. 028280



COD. 028282



COD. 028284

